

BUILT TO A HIGHER STANDARD<sup>®</sup>

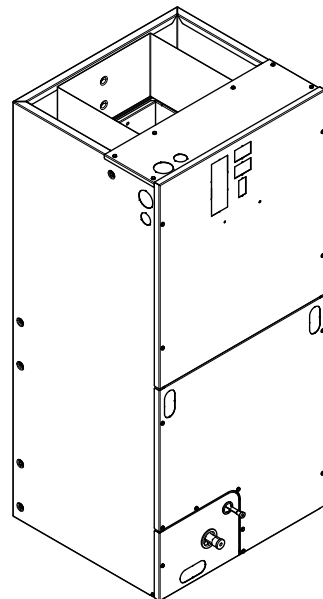
*American Standard*<sup>®</sup>

HEATING & AIR CONDITIONING

# Product Data

## Convertible Air Handlers 2 – 5 Ton

5TEM6B02AV21SA  
5TEM6B03AV21SA  
5TEM6D04AV31SA  
5TEM6D05AV41SA  
5TEM6D06AV41SA  
5TEM6D07AV51SA



*The 5TEM6 series air handler is designed for installation in a closet, utility room, alcove, basement, crawlspace or attic. These versatile units are applicable to air conditioning and heat pump applications. Several models are available to meet the specific requirements of the outdoor equipment. Field installed electric resistance heaters are available.*

## Table of Contents

Features and Benefits.....	3
Optional Equipment.....	3
Product Specifications.....	4
Heater Pressure Drop Table .....	6
Performance and Electrical Data .....	7
Minimum Airflow CFM .....	13
Wiring Diagram.....	14
Field Wiring Diagrams .....	15
External Switches and Accessories.....	17
TEM Convertibility.....	18
Air Handler Dimensional Data .....	19
Outline Drawing .....	20

## Features and Benefits

- Painted metal cabinet with captured foil face insulation
- 2% or less air leakage
- R-4.2 Insulating Value
- Multi-Position UP/Down Flow, Horizontal Left /Right
- ALL Aluminum Coil
- Electric Heaters with polarized plug connections (sold as accessory)
- R-454B Thermal Expansion Valve
- Variable Speed ECM Motor
- Low Voltage Pigtail Connections
- Draw Through Design
- Horizontal Drain Pan
- Single Color
- Fused 24V Power
- **5 Year Base Limited Warranty**
- **10 Year Registered Limited Warranty**
- **Optional extended warranty available**

## Optional Equipment

Accessory Number	Description	Fits Model
BAYHTR1504BRK	Electric Heater, 4KW, Breaker, 24V Control, 1 Ph	5TEM6B02-D07
BAYHTR1504LUG	Electric Heater, 4KW, Lug, 24V Control, 1 Ph	5TEM6B02-D07
BAYHTR1505BRK	Electric Heater, 5KW, Breaker, 24V Control, 1 Ph	5TEM6B02-D07
BAYHTR1505LUG	Electric Heater, 5KW, Lug, 24V Control, 1 Ph	5TEM6B02-D07
BAYHTR1508BRK	Electric Heater, 8KW, Breaker, 24V Control, 1 Ph	5TEM6B02-D07
BAYHTR1508LUG	Electric Heater, 8KW, Lug, 24V Control, 1 Ph	5TEM6B02-D07
BAYHTR1510BRK	Electric Heater, 10KW, Breaker, 24V Control, 1 Ph	5TEM6B02-D07
BAYHTR1510LUG	Electric Heater, 10KW, Lug, 24V Control, 1 Ph	5TEM6B02-D07
BAYHTR1517BRK	Electric Heater, 15KW, Breaker, 24V Control, 1 Ph	5TEM6B02-D07
BAYHTR3510LUG	Electric Heater, 10KW, Lug, 24V Control, 3 Ph	5TEM6B02-D07
BAYHTR3517LUG	Electric Heater, 15KW, Lug, 24V Control, 3Ph	5TEM6B02-D07
BAYHTR1523BRK	Electric Heater, 20KW, Breaker, 24V Control, 1 Ph	5TEM6D04-D07
BAYHTR1525BRK	Electric Heater, 25KW, Breaker, 24V Control, 1 Ph	5TEM6D06-D07
BAYTEMSPFG1A/B	Supply Duct Flange Kit	5TEM6B02-D07
BAYSPEKT201A	Single Point Power Entry Kit	5TEM6B02-D07
TAYBASE185	Air Handler Downflow Sub-Bases	5TEM6B02-B03
TAYBASE235 (TAYBASE 100)	Air Handler Downflow Sub-Bases	5TEM6D04-D07
TEMBRKSEALKT01A	BREAKER SEAL KIT	5TEM6B02-D07
BAYTEMDFKT1A	DOWNFLOW CONDENSATE MANAGEMENT KIT	5TEM6B02-D07
BAYAH120KT	120V UNIT CONVERSION KIT	5TEM6B02-D07
BAYSF1185AAA	Slim Fit Filter Box	18.5"
BAYSF1235AAA	Slim Fit Filter Box	23.5"

# Product Specifications

MODEL	5TEM6B02AV21SA	5TEM6B03AV21SA	5TEM6D04AV31SA
<b>RATED VOLTS/PH/HZ</b>	208-230/1/60	208-230/1/60	208-230/1/60
<b>RATINGS<sup>(a)</sup></b>	See O.D. Specifications	See O.D. Specifications	See O.D. Specifications
<b>INDOOR COIL — Type</b>	Plate Fin	Plate Fin	Plate Fin
Rows — F.P.I.	3 - 14	3 - 14	4 - 12
Face Area (sq. ft.)	4.13	4.13	5.50
Tube Size (in.)	3/8	3/8	3/8
Refrigerant Control	TXV	TXV	TXV
Drain Conn. Size (in.) <sup>(b)</sup>	3/4 NPT	3/4 NPT	3/4 NPT
<b>DUCT CONNECTIONS</b>	See Outline Drawing	See Outline Drawing	See Outline Drawing
<b>INDOOR FAN — Type</b>	Centrifugal	Centrifugal	Centrifugal
Diameter-Width (In.)	11 X 8	11 X 8	11 X 8
No. Used	1	1	1
Drive - No. Speeds	Direct - 16	Direct - 16	Direct - 16
CFM vs. in. w.g.	See Fan Performance Table	See Fan Performance Table	See Fan Performance Table
No. Motors — H.P.	1 - 1/3	1 - 1/2	1 - 1/2
Motor Speed R.P.M.	Variable	Variable	Variable
Volts/Ph/Hz	208-230/1/60	208-230/1/60	208-230/1/60
F.L. Amps	2.8	4.3	4.3
<b>FILTER</b>			
Filter Furnished? <sup>(c)</sup>	No	No	No
<b>REFRIGERANT</b>	<b>R-454B</b>	<b>R-454B</b>	<b>R-454B</b>
Ref. Line Connections	Brazed	Brazed	Brazed
Coupling or Conn. Size — in. Gas	3/4	3/4	7/8
Coupling or Conn. Size — in. Liq.	3/8	3/8	3/8
<b>DIMENSIONS</b>	H x W x D	H x W x D	H x W x D
Crated (In.)	48-1/4 x 22-1/2 x 25-1/2	48-1/4 x 22-1/2 x 25-1/2	52-3/4 x 27-1/2 x 25-1/2
Uncrated	46-3/4 x 18-1/2 x 21-1/8	46-3/4 x 18-1/2 x 21-1/8	51-3/8 x 23-1/2 x 21-1/8
<b>WEIGHT</b>			
Shipping (Lbs.) / Net (Lbs.)	126/117	126/117	155/144

<sup>(a)</sup> These Air Handlers are A.H.R.I certified with various Split System Air Conditioners and Heat Pumps (AHRI STANDARD 210/240). Refer to the Split System Outdoor Unit Product Data Guides for performance data.

<sup>(b)</sup> 3/4" Male Plastic Pipe (Ref: ASTM 1785-76)

<sup>(c)</sup> Remote filter required.

## Product Specifications

<b>MODEL</b>	5TEM6D05AV41SA	5TEM6D06AV41SA	5TEM6D07AV51SA
<b>RATED VOLTS/PH/HZ</b>	208-230/1/60	208-230/1/60	208-230/1/60
<b>RATINGS<sup>(a)</sup></b>	See O.D. Specifications	See O.D. Specifications	See O.D. Specifications
<b>INDOOR COIL — Type</b>	Plate Fin	Plate Fin	Plate Fin
Rows — F.P.I.	4 - 12	4 - 14	4 - 14
Face Area (sq. ft.)	5.50	6.88	6.88
Tube Size (in.)	3/8	3/8	3/8
Refrigerant Control	TXV	TXV	TXV
Drain Conn. Size (in.) <sup>(b)</sup>	3/4 NPT	3/4 NPT	3/4 NPT
<b>DUCT CONNECTIONS</b>	See Outline Drawing	See Outline Drawing	See Outline Drawing
<b>INDOOR FAN — Type</b>	Centrifugal	Centrifugal	Centrifugal
Diameter-Width (In.)	11 X 8	11 X 8	11 X 8
No. Used	1	1	1
Drive - No. Speeds	Direct - 16	Direct - 16	Direct - 16
CFM vs. in. w.g.	See Fan Performance Table	See Fan Performance Table	See Fan Performance Table
No. Motors — H.P.	1 - 1/2	1 - 3/4	1 - 3/4
Motor Speed R.P.M.	Variable	Variable	Variable
Volts/Ph/Hz	208-230/1/60	208-230/1/60	208-230/1/60
F.L. Amps	4.3	6.8	6.8
<b>FILTER</b>			
Filter Furnished? <sup>(c)</sup>	No	No	No
<b>REFRIGERANT</b>	<b>R-454B</b>	<b>R-454B</b>	<b>R-454B</b>
Ref. Line Connections	Brazed	Brazed	Brazed
Coupling or Conn. Size — in. Gas	7/8	7/8	7/8
Coupling or Conn. Size — in. Liq.	3/8	3/8	3/8
<b>DIMENSIONS</b>	H x W x D	H x W x D	H x W x D
Crated (In.)	52-3/4 x 27-1/2 x 25-1/2	58-1/8 x 25-7/8 x 25-1/2	58-1/8 x 25-7/8 x 25-1/2
Uncrated	51-3/8 x 23-1/2 x 21-1/8	57-3/8 x 23-1/2 x 21-1/8	57-3/8 x 23-1/2 x 21-1/8
<b>WEIGHT</b>			
Shipping (Lbs.) / Net (Lbs.)	155/144	185/174	185/174

<sup>(a)</sup> These Air Handlers are A.H.R.I certified with various Split System Air Conditioners and Heat Pumps (AHRI STANDARD 210/240). Refer to the Split System Outdoor Unit Product Data Guides for performance data.

<sup>(b)</sup> 3/4" Male Plastic Pipe (Ref: ASTM 1785-76)

<sup>(c)</sup> Remote filter required.

# Heater Pressure Drop Table

Airflow CFM	Number of Racks				Heater Racks	
	1	2	3	4	Heater Model	No. of Racks
	Air Pressure Drop — Inches W.G.					
1800	0.02	0.04	0.06	0.14	BAYHTR1504	1
1700	0.02	0.04	0.06	0.14	BAYHTR1505	1
1600	0.02	0.04	0.06	0.13	BAYHTR1508	2
1500	0.02	0.04	0.06	0.12	BAYHTR1510	2
1400	0.02	0.04	0.06	0.12	BAYHTR1517	3
1300	0.02	0.04	0.05	0.11	BAYHTR3510	3
1200	0.01	0.04	0.05	0.10	BAYHTR3517	3
1100	0.01	0.03	0.05	0.09	BAYHTR1523	4
1000	0.01	0.03	0.04	0.09	BAYHTR1525	4
900	0.01	0.03	0.04	0.08		
800	0.01	0.03				
700	0.01	0.02				
600	0.01	0.02				

# Performance and Electrical Data

**Table 1. Air Flow Performance Tables**

<b>STEM6B02AV21SAA COOLING AIRFLOW PERFORMANCE, WET COIL, NO FILTER, NO HEATER</b>												
OUTDOOR UNIT SIZE (TONS)	SPEED SETTING	AIRFLOW SETTING	DIP SWITCH SETTING				AIRFLOW POWER	EXTERNAL STATIC PRESSURE				
			SW1	SW2	SW3	SW4		0.1	0.3	0.5	0.7	0.9
1.5	LOW	353 CFM/ton	ON	ON	OFF	ON	CFM Watts	524 49	517 83	482 111	418 133	326 148
	NORMAL	401 CFM/ton	ON	ON	OFF	OFF	CFM Watts	608 60	604 99	580 134	535 167	471 197
	HIGH	451 CFM/ton	ON	ON	ON	OFF	CFM Watts	683 76	683 119	664 160	626 198	571 233
2	LOW	343 CFM/ton	OFF	ON	OFF	ON	CFM Watts	693 78	693 122	674 164	638 202	583 237
	NORMAL	390 CFM/ton	OFF	ON	OFF	OFF	CFM Watts	787 98	791 149	780 197	753 241	712 284
	HIGH	439 CFM/ton	OFF	ON	ON	OFF	CFM Watts	883 126	889 181	877 233	847 285	801 333
2.5	LOW	300 CFM/ton	ON	OFF	OFF	ON	CFM Watts	757 91	760 140	746 186	716 229	671 269
	NORMAL <sup>(a)</sup>	340 CFM/ton	ON	OFF	OFF	OFF	CFM Watts	863 119	867 173	854 224	826 273	781 319
	HIGH	383 CFM/ton	ON	OFF	ON	OFF	CFM Watts	950 151	963 213	945 265	896 310	818 345

<sup>(a)</sup> Factory Default Setting

<b>STEM6B02AV21SAA HEATING AIRFLOW PERFORMANCE, NO FILTER, NO HEATER</b>												
OUTDOOR UNIT SIZE (TONS)	SPEED SETTING	AIRFLOW SETTING	DIP SWITCH SETTING				AIRFLOW POWER	EXTERNAL STATIC PRESSURE				
			SW1	SW2	SW3	SW4		0.1	0.3	0.5	0.7	0.9
1.5	LOW	394 CFM/ton	ON	ON	OFF	ON	CFM Watts	594 53	596 91	568 125	525 160	456 186
	NORMAL	448 CFM/ton	ON	ON	OFF	OFF	CFM Watts	677 68	681 110	662 152	627 192	573 226
	HIGH	493 CFM/ton	ON	ON	ON	OFF	CFM Watts	744 81	749 127	739 175	709 219	665 257
2	LOW	393 CFM/ton	OFF	ON	OFF	ON	CFM Watts	791 91	796 139	792 191	764 238	726 278
	NORMAL	446 CFM/ton	OFF	ON	OFF	OFF	CFM Watts	892 120	900 171	894 228	865 283	815 325
	HIGH	491 CFM/ton	OFF	ON	ON	OFF	CFM Watts	987 147	1013 201	983 260	961 322	913 365
2.5	LOW	350 CFM/ton	ON	OFF	OFF	ON	CFM Watts	878 115	886 166	880 222	851 276	810 321
	NORMAL <sup>(a)</sup>	398 CFM/ton	ON	OFF	OFF	OFF	CFM Watts	101 151	989 205	998 264	974 328	926 371
	HIGH	437 CFM/ton	ON	OFF	ON	OFF	CFM Watts	1108 185	1092 241	1108 300	1072 372	1024 412

<sup>(a)</sup> Factory Default Setting

## Performance and Electrical Data

STEM6B03AV21SAA COOLING AIRFLOW PERFORMANCE, WET COIL, NO FILTER, NO HEATER												
OUTDOOR UNIT SIZE (TONS)	SPEED SETTING	AIRFLOW SETTING	DIP SWITCH SETTING				AIRFLOW POWER	EXTERNAL STATIC PRESSURE				
			SW1	SW2	SW3	SW4		0.1	0.3	0.5	0.7	0.9
1.5	LOW	353 CFM/ton	ON	ON	OFF	ON	CFM Watts	479 39	455 68	440 95	395 121	331 143
	NORMAL	401 CFM/ton	ON	ON	OFF	OFF	CFM Watts	577 52	553 86	548 119	509 149	454 176
	HIGH	451 CFM/ton	ON	ON	ON	OFF	CFM Watts	672 67	647 106	652 144	620 179	571 212
2	LOW	343 CFM/ton	OFF	ON	OFF	ON	CFM Watts	686 69	685 110	667 148	635 184	588 218
	NORMAL	390 CFM/ton	OFF	ON	OFF	OFF	CFM Watts	796 92	799 137	788 181	763 223	724 264
	HIGH	439 CFM/ton	OFF	ON	ON	OFF	CFM Watts	892 116	899 165	892 215	872 263	837 312
2.5	LOW	300 CFM/ton	ON	OFF	OFF	ON	CFM Watts	749 82	751 125	738 166	710 206	668 244
	NORMAL	340 CFM/ton	ON	OFF	OFF	OFF	CFM Watts	867 109	874 157	866 205	843 252	805 299
	HIGH	383 CFM/ton	ON	OFF	ON	OFF	CFM Watts	965 139	976 191	972 244	954 298	922 353
3	LOW	310 CFM/ton	OFF	OFF	OFF	ON	CFM Watts	940 131	950 182	945 234	926 286	892 339
	NORMAL <sup>(a)</sup>	330 CFM/ton	OFF	OFF	OFF	OFF	CFM Watts	993 149	956 202	1002 257	985 313	953 370

(a) Factory Default Setting

STEM6B03AV21SAA HEATING AIRFLOW PERFORMANCE, NO FILTER, NO HEATER												
OUTDOOR UNIT SIZE (TONS)	SPEED SETTING	AIRFLOW SETTING	DIP SWITCH SETTING				AIRFLOW POWER	EXTERNAL STATIC PRESSURE				
			SW1	SW2	SW3	SW4		0.1	0.3	0.5	0.7	0.9
1.5	LOW	394 CFM/ton	ON	ON	OFF	ON	CFM Watts	571 44	574 82	544 113	502 137	441 171
	NORMAL	448 CFM/ton	ON	ON	OFF	OFF	CFM Watts	677 60	682 99	668 138	618 170	572 206
	HIGH	493 CFM/ton	ON	ON	ON	OFF	CFM Watts	746 75	752 116	739 160	712 200	674 237
2	LOW	393 CFM/ton	OFF	ON	OFF	ON	CFM Watts	799 86	806 128	799 175	773 220	740 259
	NORMAL	446 CFM/ton	OFF	ON	OFF	OFF	CFM Watts	902 111	911 157	912 210	891 260	861 308
	HIGH	491 CFM/ton	OFF	ON	ON	OFF	CFM Watts	995 131	994 181	986 242	984 293	954 352
2.5	LOW	350 CFM/ton	ON	OFF	OFF	ON	CFM Watts	887 106	895 152	895 204	873 254	843 300
	NORMAL	398 CFM/ton	ON	OFF	OFF	OFF	CFM Watts	1004 135	1004 186	998 246	996 298	965 359
	HIGH	437 CFM/ton	ON	OFF	ON	OFF	CFM Watts	1089 160	1079 215	1064 282	1079 332	1040 408
3	LOW	325 CFM/ton	OFF	OFF	OFF	ON	CFM Watts	986 131	987 180	984 239	997 291	947 349
	NORMAL <sup>(a)</sup>	346 CFM/ton	OFF	OFF	OFF	OFF	CFM Watts	1042 146	1038 198	1029 262	1034 313	1001 380

(a) Factory Default Setting



## Performance and Electrical Data

STEM6D04AV31SAA/ STEM6D05AV41SAA COOLING AIRFLOW PERFORMANCE, WET COIL, NO FILTER, NO HEATER												
OUTDOOR UNIT SIZE (TONS)	SPEED SETTING	AIRFLOW SETTING	DIP SWITCH SETTING				AIRFLOW POWER	EXTERNAL STATIC PRESSURE				
			SW1	SW2	SW3	SW4		0.1	0.3	0.5	0.7	0.9
2.5	LOW	300 CFM/ton	ON	ON	OFF	ON	CFM Watts	717 47	714 97	698 142	669 183	629 219
	NORMAL	341 CFM/ton	ON	ON	OFF	OFF	CFM Watts	801 61	815 116	812 167	792 216	756 262
	HIGH	384 CFM/ton	ON	ON	ON	OFF	CFM Watts	890 76	922 136	933 195	922 252	890 308
3	LOW	319 CFM/ton	OFF	ON	OFF	ON	CFM Watts	887 75	919 135	929 194	918 251	886 306
	NORMAL	363 CFM/ton	OFF	ON	OFF	OFF	CFM Watts	1106 135	1149 202	1173 272	1176 342	1160 414
	HIGH	408 CFM/ton	OFF	ON	ON	OFF	CFM Watts	1218 175	1263 249	1287 323	1291 401	1274 480
3.5	LOW	315 CFM/ton	ON	OFF	OFF	ON	CFM Watts	1117 139	1161 207	1184 227	1188 348	1172 420
	NORMAL	357 CFM/ton	ON	OFF	OFF	OFF	CFM Watts	1233 179	1277 255	1300 331	1301 407	1281 484
	HIGH	402 CFM/ton	ON	OFF	ON	OFF	CFM Watts	1323 209	1365 294	1379 372	1365 443	1326 505
4	LOW	308 CFM/ton	OFF	OFF	OFF	ON	CFM Watts	1223 176	1268 250	1291 326	1294 403	1277 482
	NORMAL <sup>(a)</sup>	350 CFM/ton	OFF	OFF	OFF	OFF	CFM Watts	1317 208	1354 293	1378 371	1370 441	1310 503
	HIGH	394 CFM/ton	OFF	OFF	ON	OFF	CFM Watts	1473 281	1493 372	1468 435	1400 471	1294 482

(a) Factory Default Setting

STEM6D04AV31SAA/ STEM6D05AV41SAA HEATING AIRFLOW PERFORMANCE, NO FILTER, NO HEATER												
OUTDOOR UNIT SIZE (TONS)	SPEED SETTING	AIRFLOW SETTING	DIP SWITCH SETTING				AIRFLOW POWER	EXTERNAL STATIC PRESSURE				
			SW1	SW2	SW3	SW4		0.1	0.3	0.5	0.7	0.9
2.5	LOW	341 CFM/ton	ON	ON	OFF	ON	CFM Watts	798 53	815 108	810 158	799 211	761 255
	NORMAL	379 CFM/ton	ON	ON	OFF	OFF	CFM Watts	873 64	906 124	917 179	912 240	881 292
	HIGH	417 CFM/ton	ON	ON	ON	OFF	CFM Watts	1018 101	1061 165	1083 229	1087 296	1069 361
3	LOW	381 CFM/ton	OFF	ON	OFF	ON	CFM Watts	1138 135	1186 204	1215 275	1222 347	1212 422
	NORMAL	424 CFM/ton	OFF	ON	OFF	OFF	CFM Watts	1232 165	1278 239	1309 317	1314 393	1295 467
	HIGH	466 CFM/ton	OFF	ON	ON	OFF	CFM Watts	1306 186	1343 265	1373 348	1376 428	1332 483
3.5	LOW	348 CFM/ton	ON	OFF	OFF	ON	CFM Watts	1199 156	1248 228	1280 303	1285 377	1276 457
	NORMAL	386 CFM/ton	ON	OFF	OFF	OFF	CFM Watts	1279 179	1319 255	1349 337	1353 415	1319 477
	HIGH	425 CFM/ton	ON	OFF	ON	OFF	CFM Watts	1382 218	1415 301	1429 389	1399 442	1333 484
4	LOW	338 CFM/ton	OFF	OFF	OFF	ON	CFM Watts	1279 179	1319 255	1350 337	1353 415	1319 477
	NORMAL <sup>(a)</sup>	375 CFM/ton	OFF	OFF	OFF	OFF	CFM Watts	1393 222	1426 307	1437 395	1402 444	1332 484
	HIGH	413 CFM/ton	OFF	OFF	ON	OFF	CFM Watts	1488 265	1505 352	1411 425	1370 522	1295 349

(a) Factory Default Setting

## Performance and Electrical Data

STEM6D06AV41SAA/ STEM6D07AV51SAA COOLING AIRFLOW PERFORMANCE, WET COIL, NO FILTER, NO HEATER												
OUTDOOR UNIT SIZE (TONS)	SPEED SETTING	AIRFLOW SETTING	DIP SWITCH SETTING				AIRFLOW POWER	EXTERNAL STATIC PRESSURE				
			SW1	SW2	SW3	SW4		0.1	0.3	0.5	0.7	0.9
3	LOW	324 CFM/ton	ON	ON	OFF	ON	CFM Watts	993 101	1003 149	997 197	974 246	935 295
	NORMAL	368 CFM/ton	ON	ON	OFF	OFF	CFM Watts	1077 122	1095 175	1096 227	1079 280	1045 332
	HIGH	423 CFM/ton	ON	ON	ON	OFF	CFM Watts	1233 173	1258 236	1264 297	1254 356	1227 413
3.5	LOW	314 CFM/ton	OFF	ON	OFF	ON	CFM Watts	1074 121	1092 174	1092 226	1075 279	1040 331
	NORMAL	357 CFM/ton	OFF	ON	OFF	OFF	CFM Watts	1208 164	1232 225	1239 284	1228 342	1200 399
	HIGH	411 CFM/ton	OFF	ON	ON	OFF	CFM Watts	1453 258	1479 333	1490 405	1487 474	1468 539
4	LOW	298 CFM/ton	ON	OFF	OFF	ON	CFM Watts	1134 135	1157 191	1162 249	1149 302	1118 357
	NORMAL	339 CFM/ton	ON	OFF	OFF	OFF	CFM Watts	1346 217	1371 286	1380 352	1373 416	1351 478
	HIGH	389 CFM/ton	ON	OFF	ON	OFF	CFM Watts	1605 371	1633 401	1647 481	1648 556	1635 626
5	LOW	305 CFM/ton	OFF	OFF	OFF	ON	CFM Watts	1565 301	1592 383	1606 461	1605 534	1591 603
	NORMAL <sup>(a)</sup>	347 CFM/ton	OFF	OFF	OFF	OFF	CFM Watts	1754 414	1791 499	1794 582	1788 665	1798 745
	HIGH <sup>(b)</sup>	399 CFM/ton	OFF	OFF	ON	OFF	CFM Watts	1993 557	1997 645	1968 707	1906 743	1811 753

<sup>(a)</sup> Factory Default Setting

<sup>(b)</sup> Airflow must not exceed 1800 cfm in horizontal right, horizontal left, and downflow applications due to condensate blowoff. The 5 ton high tap shall not be used in these applications.

STEM6D06AV41SAA/ STEM6D07AV51SAA HEATING AIRFLOW PERFORMANCE, NO FILTER, NO HEATER												
OUTDOOR UNIT SIZE (TONS)	SPEED SETTING	AIRFLOW SETTING	DIP SWITCH SETTING				AIRFLOW POWER	EXTERNAL STATIC PRESSURE				
			SW1	SW2	SW3	SW4		0.1	0.3	0.5	0.7	0.9
3	LOW	360 CFM/ton	ON	ON	OFF	ON	CFM Watts	1058 108	1074 159	1079 11	1067 264	1031 315
	NORMAL	400 CFM/ton	ON	ON	OFF	OFF	CFM Watts	1139 128	1159 183	1176 242	1166 296	1136 351
	HIGH	440 CFM/ton	ON	ON	ON	OFF	CFM Watts	1292 183	1318 248	1333 314	1328 375	1307 436
3.5	LOW	348 CFM/ton	OFF	ON	OFF	ON	CFM Watts	1162 136	1183 193	1199 253	1190 308	1162 364
	NORMAL	387 CFM/ton	OFF	ON	OFF	OFF	CFM Watts	1336 199	1364 267	1378 335	1375 398	1356 461
	HIGH	426 CFM/ton	OFF	ON	ON	OFF	CFM Watts	1509 261	1544 341	1557 417	1559 489	1550 558
4	LOW	338 CFM/ton	ON	OFF	OFF	ON	CFM Watts	1332 197	1360 265	1375 333	1371 397	1352 459
	NORMAL	375 CFM/ton	ON	OFF	OFF	OFF	CFM Watts	1521 265	1556 346	1569 422	1571 495	1563 564
	HIGH	413 CFM/ton	ON	OFF	ON	OFF	CFM Watts	1667 341	1714 426	1726 510	1725 587	1724 665
5	LOW	326 CFM/ton	OFF	OFF	OFF	ON	CFM Watts	1650 330	1694 415	1707 497	1707 574	1705 651
	NORMAL <sup>(a)</sup>	362 CFM/ton	OFF	OFF	OFF	OFF	CFM Watts	1805 423	1846 509	1855 597	1831 660	1811 729
	HIGH	398 CFM/ton	OFF	OFF	ON	OFF	CFM Watts	1980 515	1991 604	1992 694	1923 723	1851 753

<sup>(a)</sup> Factory Default Setting

## Performance and Electrical Data

1. See Product Data or Air Handler nameplate for approved combinations of Air Handlers and Heaters.
2. Heater model numbers may have additional suffix digits.

**Table 2. Electrical Data**

<b>STEM6B02AV21SAA HEATER DATA</b>											
Heater Model No.	No. of Circuits/ Phases	240 Volt					208 Volt				
		Capacity		Heater Amps per Circuit	Minimum Circuit Ampacity	Maximum Overload Protection	Capacity		Heater Amps per Circuit	Minimum Circuit Ampacity	Maximum Overload Protection
		kW	BTUH				kW	BTUH			
No Heater				2.8*	4	15			2.8*	4	15
BAYHTR1504BRK BAYHTR1504LUG	1/1	3.84	13100	16.0	24	25	2.88	9800	13.8	21	20
BAYHTR1505BRK BAYHTR1505LUG	1/1	4.80	16400	20.0	29	30	3.60	12300	17.3	25	25
BAYHTR1508BRK BAYHTR1508LUG	1/1	7.68	26200	32.0	44	45	5.76	19700	27.7	38	40
BAYHTR1510BRK BAYHTR1510LUG	1/1	9.60	32800	40.0	54	60	7.20	24600	34.6	47	50
BAYHTR1517BRK Circuit 1 <sup>(a)</sup>	2/1	9.60	32800	40.0	54	60	7.20	24600	34.6	47	50
BAYHTR1517BRK Circuit 2		4.80	16400	20.0	25	25	3.60	12300	17.3	22	25
BAYHTR3510LUG	1/3	9.60	32800	23.1	32	35	7.20	24600	20.0	28	30
BAYHTR3517LUG	1/3	14.40	49100	34.6	46	50	10.80	36900	30.0	41	45

\* = Motor Amps

<sup>(a)</sup> MCA and MOP for circuit 1 contains the motor amps

<b>STEM6B03AV21SAA HEATER DATA</b>											
Heater Model No.	No. of Circuits/ Phases	240 Volt					208 Volt				
		Capacity		Heater Amps per Circuit	Minimum Circuit Ampacity	Maximum Overload Protection	Capacity		Heater Amps per Circuit	Minimum Circuit Ampacity	Maximum Overload Protection
		kW	BTUH				kW	BTUH			
No Heater				4.3*	5	15			4.3*	5	15
BAYHTR1504BRK BAYHTR1504LUG	1/1	3.84	13100	16.0	25	25	2.88	9800	13.8	23	25
BAYHTR1505BRK BAYHTR1505LUG	1/1	4.80	16400	20.0	30	30	3.60	12300	17.3	27	30
BAYHTR1508BRK BAYHTR1508LUG	1/1	7.68	26200	32.0	45	45	5.76	19700	27.7	40	40
BAYHTR1510BRK BAYHTR1510LUG	1/1	9.60	32800	40.0	55	60	7.20	24600	34.6	49	50
BAYHTR1517BRK Circuit 1 <sup>(a)</sup>	2/1	9.60	32800	40.0	55	60	7.20	24600	34.6	49	50
BAYHTR1517BRK Circuit 2		4.80	16400	20.0	25	25	3.60	12300	17.3	22	25
BAYHTR3510LUG	1/3	9.60	32800	23.1	34	35	7.20	24600	20.0	30	30
BAYHTR3517LUG	1/3	14.40	49100	34.6	48	50	10.80	36900	30.0	42	45

\* = Motor Amps

<sup>(a)</sup> MCA and MOP for circuit 1 contains the motor amps

## Performance and Electrical Data

<b>STEM6D04AV31SAA/STEM6D05AV41SAA HEATER DATA</b>											
Heater Model No.	No. of Circuits/ Phases	240 Volt					208 Volt				
		Capacity		Heater Amps per Circuit	Minimum Circuit Ampacity	Maximum Overload Protection	Capacity		Heater Amps per Circuit	Minimum Circuit Ampacity	Maximum Overload Protection
		kW	BTUH				kW	BTUH			
No Heater				4.3 *	5	15			4.3 *	5	15
BAYHTR1504BRK BAYHTR1504LUG	1/1	3.84	13100	16.0	25	25	2.88	9800	13.8	23	25
BAYHTR1505BRK BAYHTR1505LUG	1/1	4.80	16400	20.0	30	30	3.60	12300	17.3	27	30
BAYHTR1508BRK BAYHTR1508LUG	1/1	7.68	26200	32.0	45	45	5.76	19700	27.7	40	40
BAYHTR1510BRK BAYHTR1510LUG	1/1	9.60	32800	40.0	55	60	7.20	24600	34.6	49	50
BAYHTR1517BRK Circuit 1 (a)	2/1	9.60	32800	40.0	55	60	7.20	24600	34.6	49	50
BAYHTR1517BRK Circuit 2		4.80	16400	20.0	25	25	3.60	12300	17.3	22	25
BAYHTR1523BRK Circuit 1	2/1	9.60	32800	40.0	55	60	7.20	24600	34.6	49	50
BAYHTR1523BRK Circuit 2		9.60	32800	40.0	50	50	7.20	24600	34.6	43	45
BAYHTR3510LUG	1/3	9.60	32800	23.1	34	35	7.20	24600	20.0	30	30
BAYHTR3517LUG	1/3	14.40	49100	34.6	48	50	10.8-0	36900	30.0	42	45

\* = Motor Amps

(a) MCA and MOP for circuit 1 contains the motor amps

<b>STEM6D06AV41SAA/STEM6D07AV51SAA HEATER DATA</b>											
Heater Model No.	No. of Circuits/ Phases	240 Volt					208 Volt				
		Capacity		Heater Amps per Circuit	Minimum Circuit Ampacity	Maximum Overload Protection	Capacity		Heater Amps per Circuit	Minimum Circuit Ampacity	Maximum Overload Protection
		kW	BTUH				kW	BTUH			
No Heater				6.8 *	9	15			6.8 *	9	15
BAYHTR1504BRK BAYHTR1504LUG	1/1	3.84	13100	16.0	29	30	2.88	9800	13.8	26	30
BAYHTR1505BRK BAYHTR1505LUG	1/1	4.80	16400	20.0	34	35	3.60	12300	17.3	30	30
BAYHTR1508BRK BAYHTR1508LUG	1/1	7.68	26200	32.0	49	50	5.76	19700	27.7	43	45
BAYHTR1510BRK BAYHTR1510LUG	1/1	9.60	32800	40.0	59	60	7.20	24600	34.6	52	60
BAYHTR1517BRK Circuit 1 (a)	2/1	9.60	32800	40.0	59	60	7.20	24600	34.6	52	60
BAYHTR1517BRK Circuit 2		4.80	16400	20.0	25	25	3.60	12300	17.3	22	25
BAYHTR1523BRK Circuit 1	2/1	9.60	32800	40.0	59	60	7.20	24600	34.6	52	60
BAYHTR1523BRK Circuit 2		9.60	32800	40.0	50	50	7.20	24600	34.6	43	45
BAYHTR1525BRK Circuit 1	4/1	6.00	20500	25.0	40	40	4.50	15400	21.6	36	40
BAYHTR1525BRK Circuit 2		6.00	20500	25.0	31	35	4.50	15400	21.6	27	30
BAYHTR1525BRK Circuit 3		6.00	20500	25.0	31	35	4.50	15400	21.6	27	30
BAYHTR1525BRK Circuit 4		6.00	20500	25.0	31	35	4.50	15400	21.6	27	30
BAYHTR3510LUG	1/3	9.60	32800	23.1	36	40	7.20	24600	20.0	33	35
BAYHTR3517LUG	1/3	14.40	49100	34.6	51	60	10.80	36900	30.0	45	45

\* = Motor Amps

(a) MCA and MOP for circuit 1 contains the motor amps

# Minimum Airflow CFM

STEM6B02AV21SAA, 5TEM6B03AV21SAA		
Heater	Minimum Heater Airflow CFM	
	With Heat Pump	Without Heat Pump
BAYHTR1504BRK, BAYHTR1504LUG, BAYHTR1505BRK, BAYHTR1505LUG	660	600
BAYHTR1508BRK, BAYHTR1508LUG	780	600
BAYHTR1510BRK, BAYHTR1510LUG	780	600
BAYHTR1517BRK	1050	850
BAYHTR3510LUG	780	600
BAYHTR3517LUG	900	850

STEM6D04AV31SAA, 5TEM6D05AV41SAA		
Heater	Minimum Heater Airflow CFM	
	With Heat Pump	Without Heat Pump
BAYHTR1504BRK, BAYHTR1504LUG, BAYHTR1505BRK, BAYHTR1505LUG	875	675
BAYHTR1508BRK, BAYHTR1508LUG	950	820
BAYHTR1510BRK, BAYHTR1510LUG	1000	820
BAYHTR1517BRK	1000	820
BAYHTR3510LUG	875	820
BAYHTR3517LUG	1000	950
BAYHTR1523BRK	1300	1140

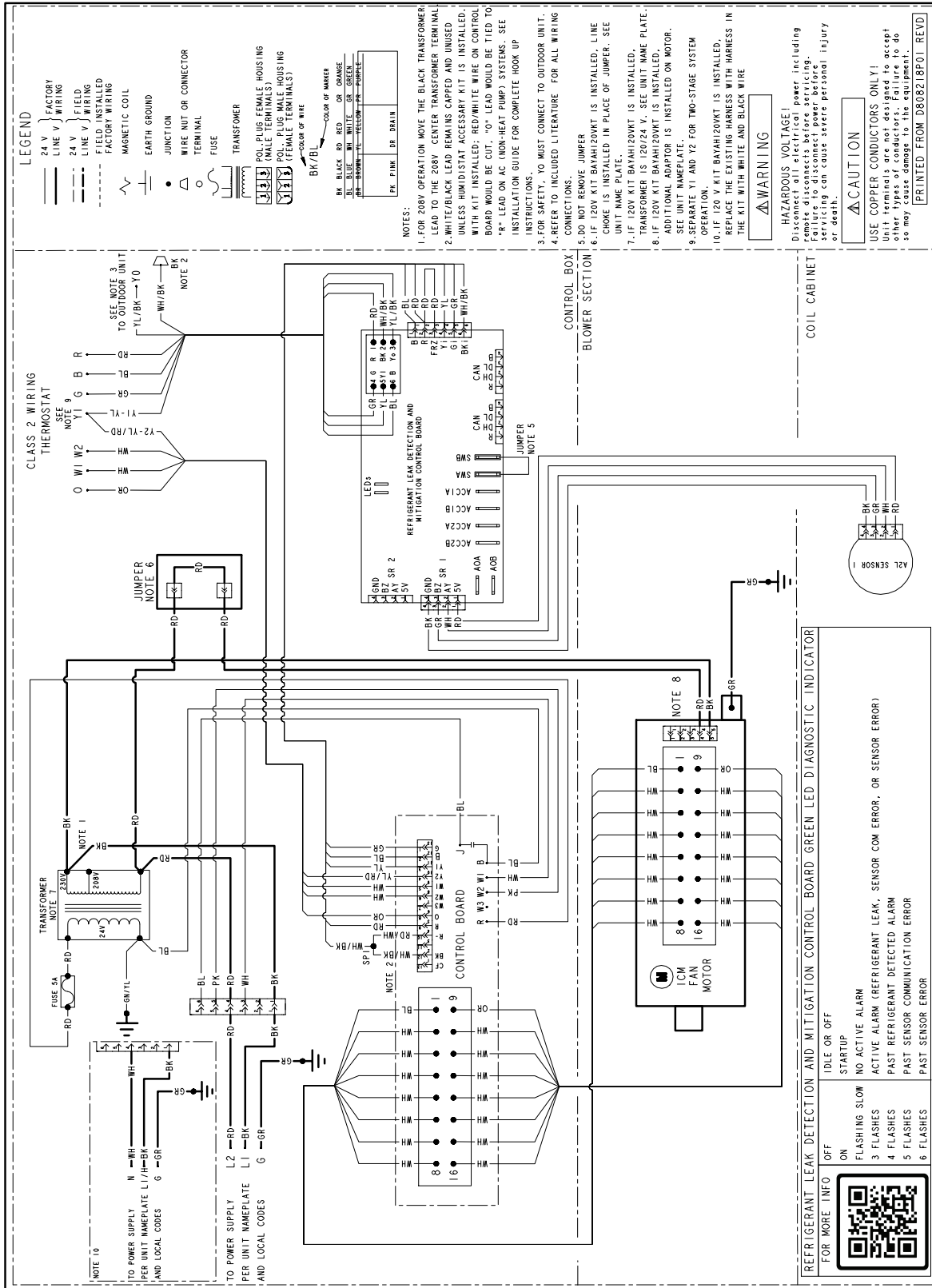
STEM6D06AV41SAA, 5TEM6D07AV51SAA		
Heater	Minimum Heater Airflow CFM	
	With Heat Pump	Without Heat Pump
BAYHTR1504BRK, BAYHTR1504LUG, BAYHTR1505BRK, BAYHTR1505LUG	1200	975
BAYHTR1508BRK, BAYHTR1508LUG	1350	975
BAYHTR1510BRK, BAYHTR1510LUG	1350	975
BAYHTR1517BRK	1365	975
BAYHTR3510LUG	1300	975
BAYHTR3517LUG	1365	1120
BAYHTR1523BRK	1365	1300
BAYHTR1525BRK	1810	1505

STEM6B02AV21SAA, 5TEM6B03AV21SAA Airflow Performance with Auxiliary Heat				
Airflow Settings	Dip Switch Settings		Nominal Airflow	See following tables for heater application: - Pressure Drop for Electrical Heaters - Minimum Heating Airflow Matrix (on unit nameplates)
	Switch 7	Switch 8		
Low	ON	ON	601	
Med-Lo	OFF	ON	661	
Med-Hi	ON	OFF	781	
High	OFF	OFF	973	

STEM6D04AV31SAA, 5TEM6D05AV41SAA Airflow Performance with Auxiliary Heat				
Airflow Settings	Dip Switch Settings		Nominal Airflow	See following tables for heater application: - Pressure Drop for Electrical Heaters - Minimum Heating Airflow Matrix (on unit nameplates)
	Switch 7	Switch 8		
Low	ON	ON	696	
Med-Lo	OFF	ON	825	
Med-Hi	ON	OFF	1150	
High	OFF	OFF	1298	

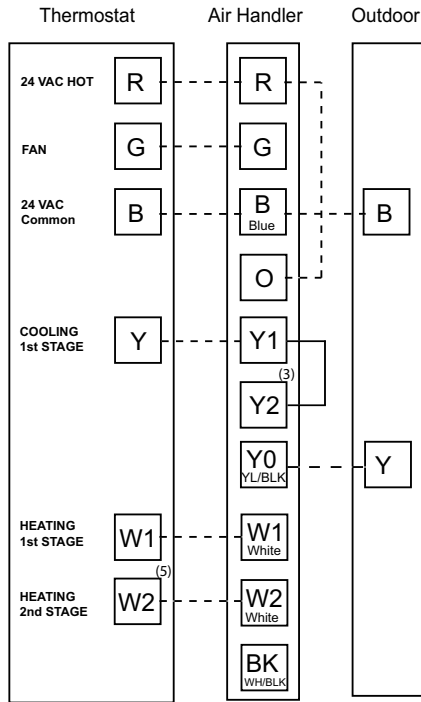
STEM6D06AV41SAA, 5TEM6D07AV51SAA Airflow Performance with Auxiliary Heat				
Airflow Settings	Dip Switch Settings		Nominal Airflow	See following tables for heater application: - Pressure Drop for Electrical Heaters - Minimum Heating Airflow Matrix (on unit nameplates)
	Switch 7	Switch 8		
Low	ON	ON	1000	
Med-Lo	OFF	ON	1130	
Med-Hi	ON	OFF	1354	
High	OFF	OFF	1596	

# Wiring Diagram

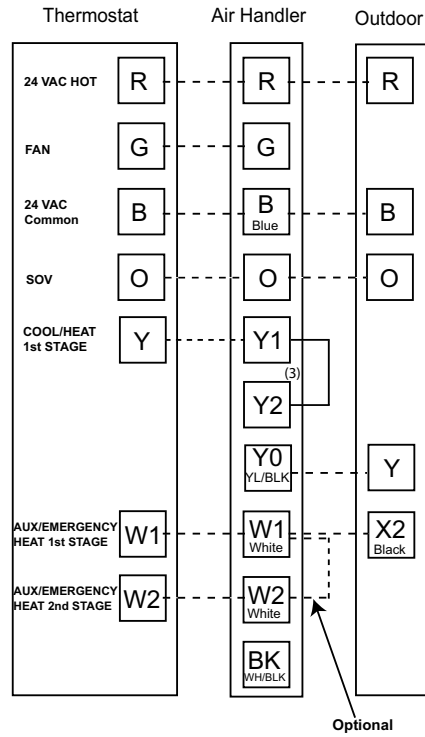


# Field Wiring Diagrams

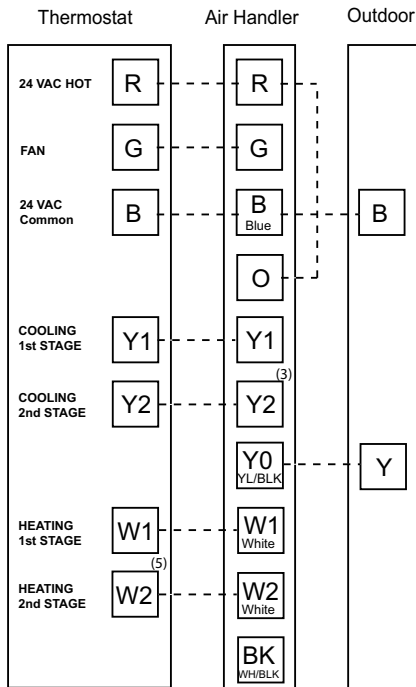
**Single Stage, Cooling Only**



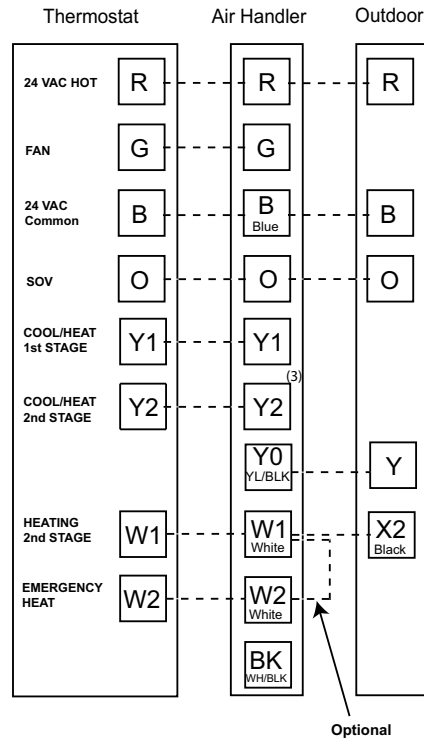
**Single Stage, HP**



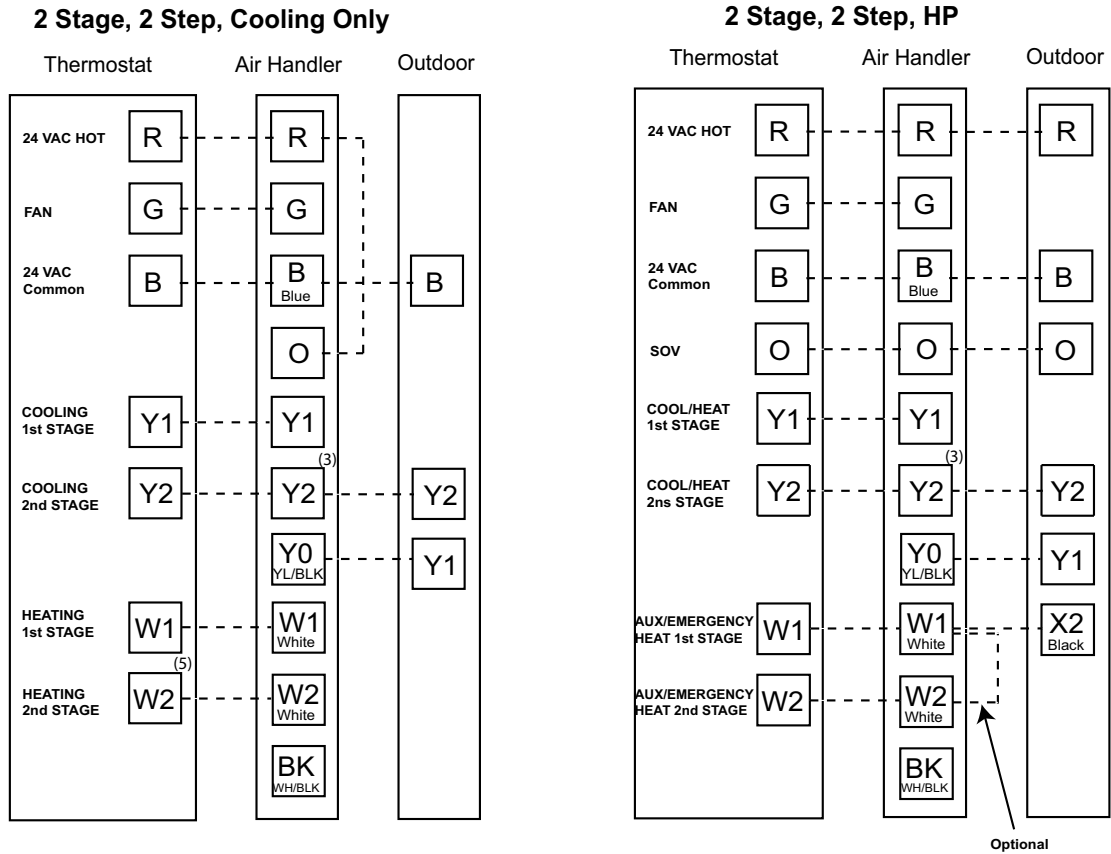
**2 Stage Indoor Airflow, Cooling Only**



**2 Stage Indoor Airflow, HP**



## Field Wiring Diagrams



1. Units with pigtails require wirenuts for connections.
2. Cap all unused wires.
3. When BK is used with PWM-enabled Comfort Control, do not connect Y2 at the air handler.
4. When BK is used, cut the jumper between R and BK on the control board. See wiring schematic for details.
5. In AC systems for multiple stages of electric heat, jumper W1 and W2 together if comfort control has only one stage of heat.



## External Switches and Accessories

The following optional connections are available on the mitigation control board (see hook-up diagrams [Figure 1, p. 17](#)):

- ACC1 and ACC2 accessory connections. Use when connecting an accessory to the air handler that could be considered a source of ignition (ex. electronic air cleaner).
- Aoa/Aob audible alarm connections. Use when configuring an audible alarm on the refrigerant detection system of the air handler.

ACC1, ACC2, and Aoa/Aob are dry contacts and need source voltage provided from either the accessory or the unit's control wiring.

Connect using field-supplied 3/16" (Aoa/Aob) or 1/4" (ACC1, ACC2) female spade connections.

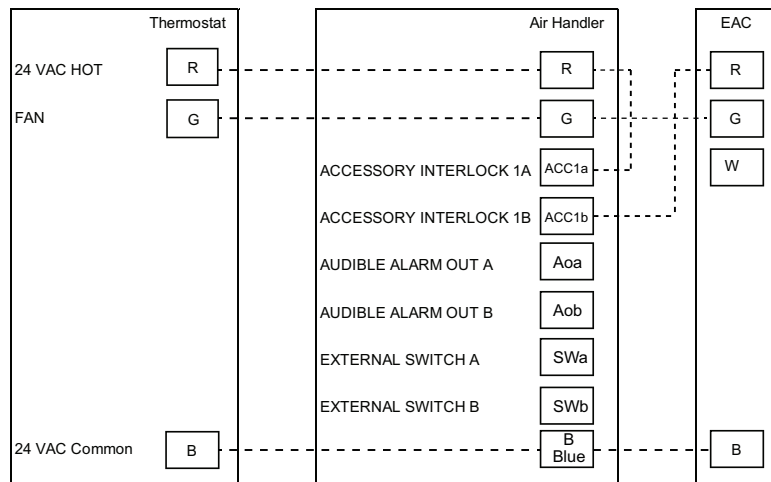
**Figure 1. Accessories Diagram**



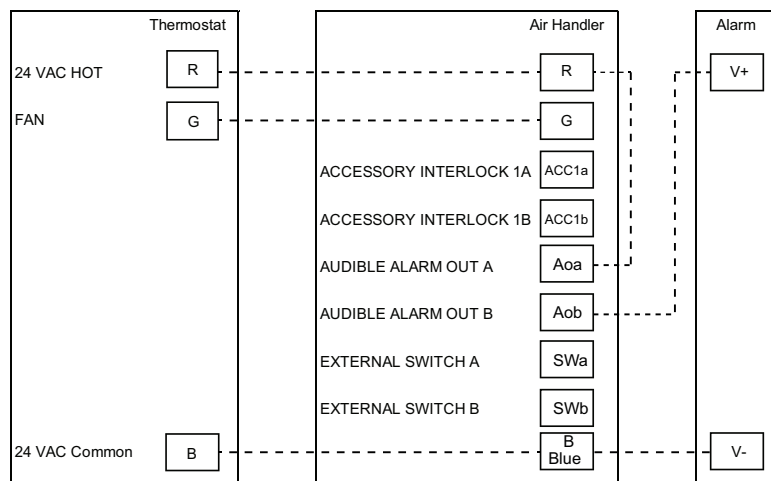
SCAN ME

Scan QR code to view instructional videos on field wiring for CleanEffects or AccuClean electronic air cleaners.

**Electronic Air Cleaner, typical**

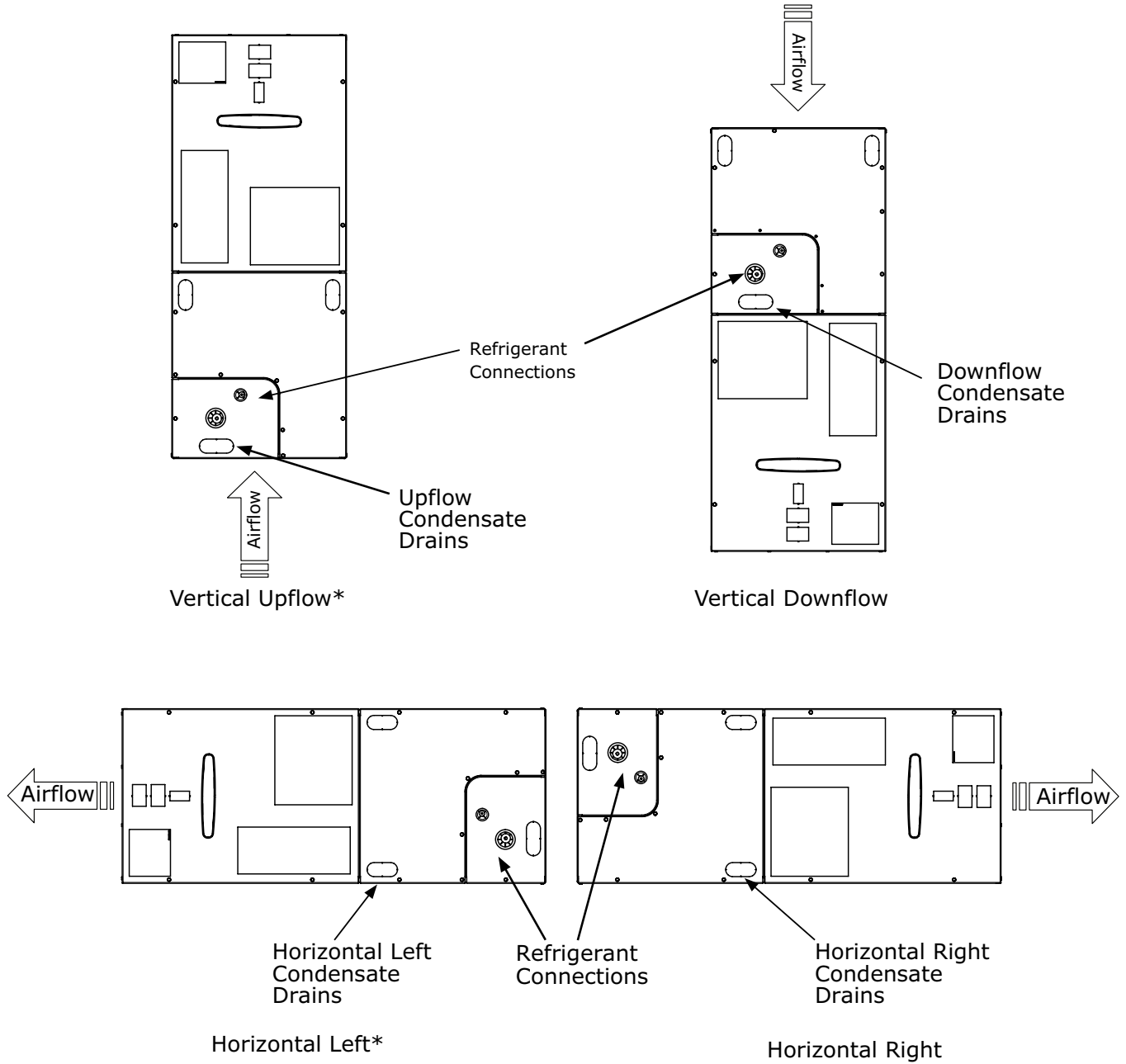


**24VAC Audible Alarm, typical**



# TEM Convertibility

**Figure 2. Multi-Position Air Handler**  
\* = No Internal Modifications Required.

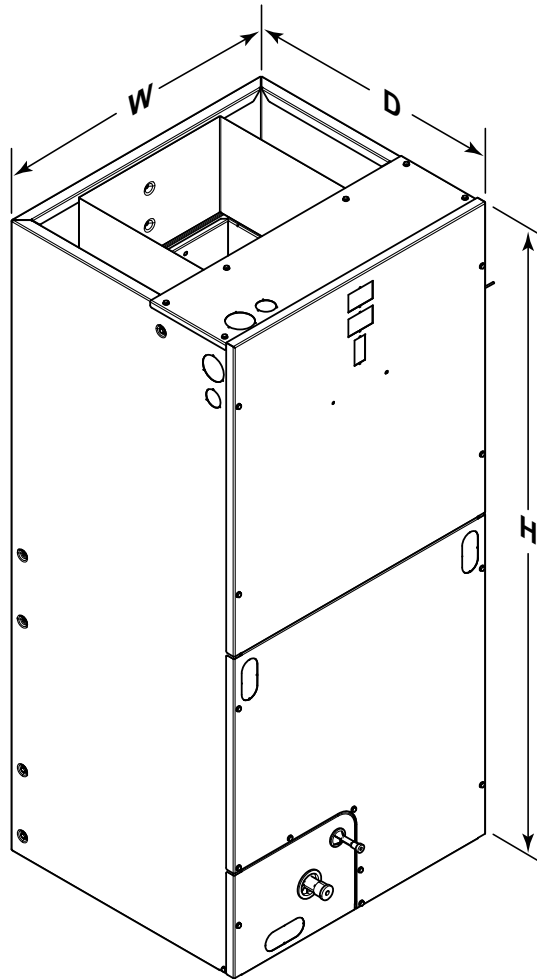


BUILT TO A HIGHER STANDARD<sup>®</sup>

*American Standard*<sup>®</sup>

HEATING & AIR CONDITIONING

## Air Handler Dimensional Data



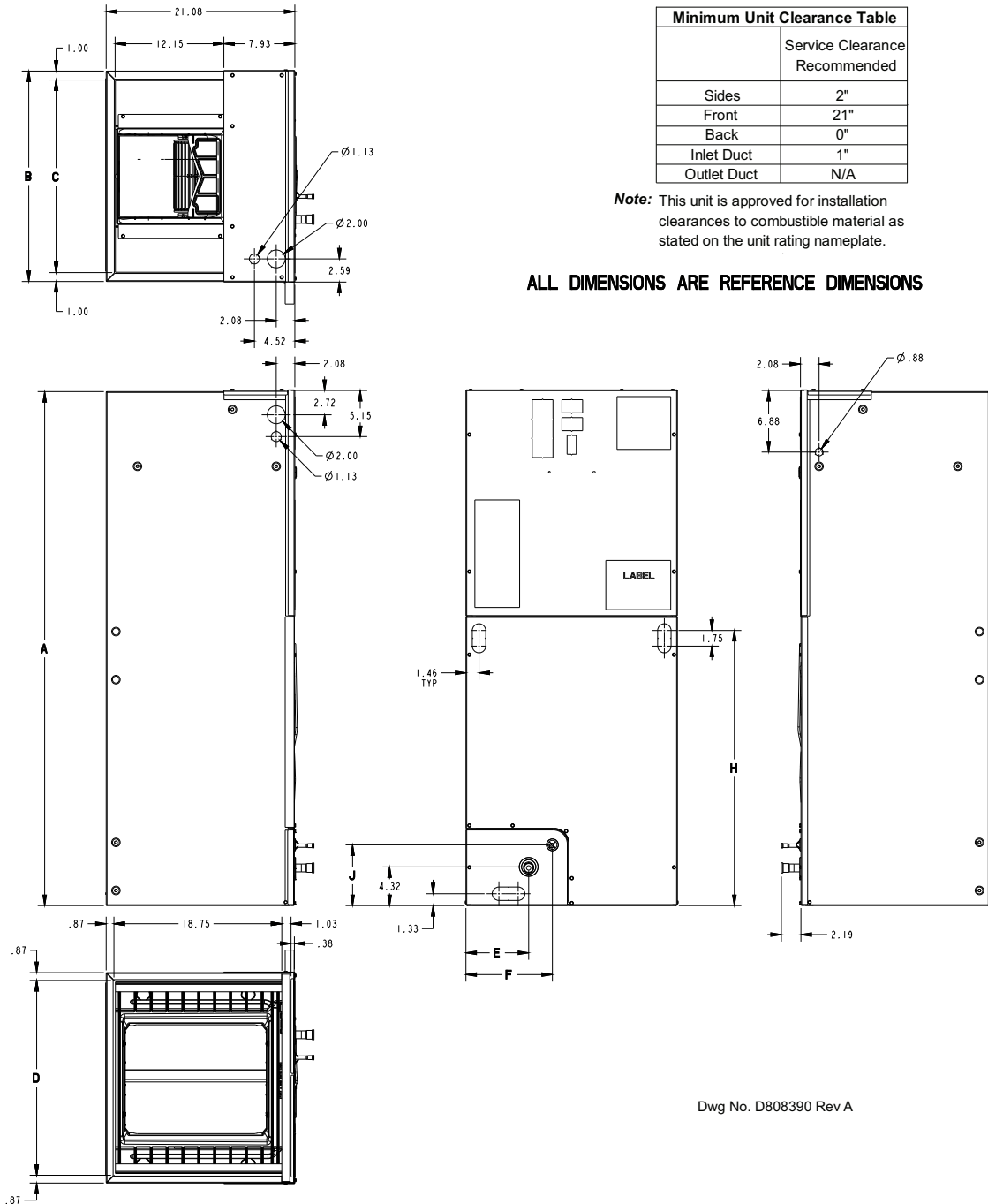
Model No.	H	W	D
5TEM6B02AV21SA	45.02	18.50	21.13
5TEM6B03AV21SA	45.02	18.50	21.13
5TEM6D04AV31SA	51.27	23.50	21.13
5TEM6D05AV41SA	51.27	23.50	21.13
5TEM6D06AV41SA	57.40	23.50	21.13
5TEM6D07AV51SA	57.40	23.50	21.13

BUILT TO A HIGHER STANDARD

*American Standard*

HEATING & AIR CONDITIONING

# Outline Drawing



Minimum Unit Clearance Table	
	Service Clearance Recommended
Sides	2"
Front	21"
Back	0"
Inlet Duct	1"
Outlet Duct	N/A

**Note:** This unit is approved for installation clearances to combustible material as stated on the unit rating nameplate.

**ALL DIMENSIONS ARE REFERENCE DIMENSIONS**

Dwg No. D808390 Rev A

PRODUCT DIMENSIONS										
Air Handler Model	A	B	C	D	E	F	H	J	Flow Control	Gas Line Braze
STEM6B02, 03	46.77	18.50	16.50	16.75	5.43	7.08	20.07	5.76	TXV	3/4
STEM6B04, 05	51.27	23.50	21.50	21.75	7.01	9.66	24.58	6.76	TXV	7/8
STEM6B06, 07	57.40	23.50	21.50	21.75	7.01	9.66	30.71	6.76	TXV	7/8

All dimensions are in inches







BUILT TO A HIGHER STANDARD<sup>®</sup>

*American Standard*<sup>®</sup>

HEATING & AIR CONDITIONING

### About American Standard Heating and Air Conditioning

American Standard has been creating comfortable and affordable living environments for more than a century. For more information, please visit [www.americanstandardair.com](http://www.americanstandardair.com).



The manufacturer has a policy of continuous data improvement and it reserves the right to change design and specifications without notice. We are committed to using environmentally conscious print practices.