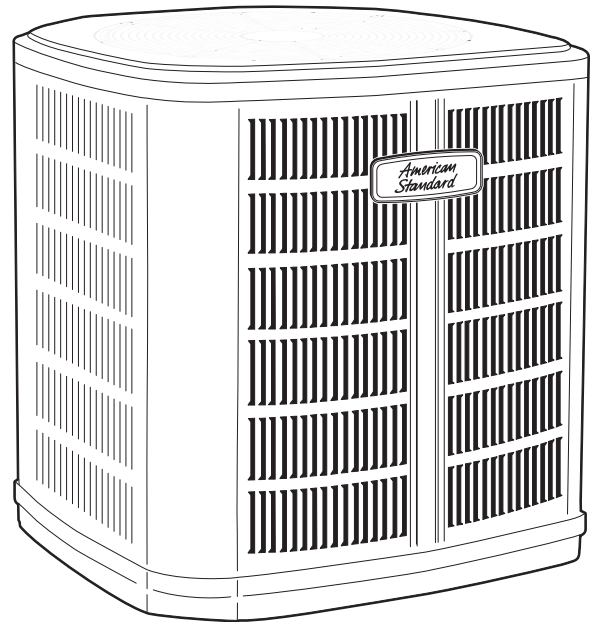


Submittal

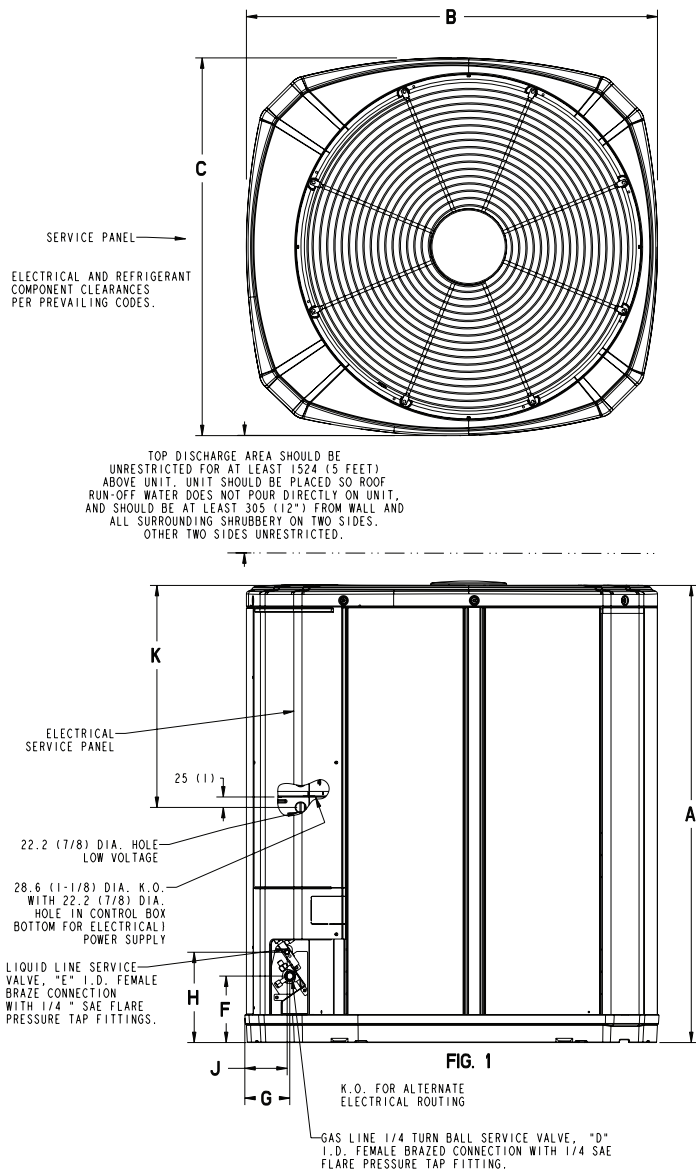
5 Ton Split System Cooling — 1 Ph

4A7A7060A



Note: "Graphics in this document are for representation only.
Actual model may differ in appearance."

NOTE: All dimensions are in mm/inches.



Product Specifications

| OUTDOOR UNIT ①② | 4A7A7060A1000B |
|-----------------------------------|--------------------|
| POWER CONNS. — V/PH/HZ ③ | 208/230/1/60 |
| MIN. BRCH. CIR. AMPACITY | 37 |
| BR. CIR. PROT. RTG. — MAX. (AMPS) | 60 |
| COMPRESSOR | DURATION™ - SCROLL |
| NO. USED - NO. STAGES | 1 - 2 |
| VOLTS/PH/HZ | 208/230/1/60 |
| R.L. AMPS ⑦ - L.R. AMPS | 28.8 - 152.9 |
| FACTORY INSTALLED | |
| START COMPONENTS ③ | NO |
| INSULATION/SOUND BLANKET | NO |
| COMPRESSOR HEAT | NO |
| OUTDOOR FAN | PROPELLER |
| DIA. (IN.) - NO. USED | 27.6 - 1 |
| TYPE DRIVE - NO. SPEEDS | DIRECT - 1 |
| CFM @ 0.0 IN. W.G. ④ | 4760 |
| NO. MOTORS - HP | 1 - 1/4 |
| MOTOR SPEED R.P.M. | 825 |
| VOLTS/PH/HZ | 208/230/1/60 |
| F.L. AMPS | 1.30 |
| OUTDOOR COIL — TYPE | SPINE FIN™ |
| ROWS - F.P.I. | 1 - 24 |
| FACE AREA (SQ. FT.) | 30.79 |
| TUBE SIZE (IN.) | 3/8 |
| REFRIGERANT | R-410A |
| LBS. — R-410A (O.D. UNIT) ⑤ | 12 LBS.- 09 OZ. |
| FACTORY SUPPLIED | YES |
| LINE SIZE - IN. O.D. GAS ⑥ | 1-1/8 |
| LINE SIZE - IN. O.D. LIQ. ⑥ | 3/8 |
| CHARGING SPECIFICATION | |
| SUBCOOLING | 8°F |
| DIMENSIONS | H X W X D |
| CRATED (IN.) | 51 X 35.1 X 38.7 |
| WEIGHT | |
| SHIPPING (LBS.) | 312 |
| NET (LBS.) | 275 |

- ① Certified in accordance with the Air-Source Unitary Air-conditioner Equipment certification program, which is based on ARI standard 210/240. In order to achieve ARI standard rating, the indoor fan time delay on the comfort control must be enabled.
- ② Rated in accordance with ARI standard 270.
- ③ Calculated in accordance with Natl. Elec. Codes. Use only HACR circuit breakers or fuses.
- ④ Standard Air — Dry Coil — Outdoor
- ⑤ This value approximate. For more precise value see unit nameplate.
- ⑥ Max. linear length 60 ft.; Max. lift - Suction 25 ft.; Max lift - Liquid 25 ft. For greater length consult refrigerant piping software Pub. No. 32-3312-0* (* denotes latest revision).
- ⑦ This value shown for compressor RLA on the unit nameplate and on this specification sheet is used to compute minimum branch circuit ampacity and max. fuse size. The value shown is the branch circuit selection current.
- ⑧ No means no start components. Yes means quick start kit components. PTC means positive temperature coefficient starter.

| MODEL | BASE | A | B | C | D | E | F | G | H | J | K |
|-----------|------|------------------|-----------------|-----------------|-------|-----|---------|---------------|----------------|---------------|-------------|
| 4A7A7060A | 4 | 1147 (45-1/8) | 946 (37-1/4) | 870 (34-1/4) | 1-1/8 | 3/8 | 152 (6) | 98 (3-7/8) | 219 (8-5/8) | 86 (3-3/8) | 813 (32) |

Sound Power Level

| Model | A-Weighted Sound Power Level [dB(A)] | Full Octave Sound Power [dB] | | | | | | | |
|------------|--------------------------------------|------------------------------|--------|--------|--------|---------|---------|---------|---------|
| | | 63 Hz | 125 Hz | 250 Hz | 500 Hz | 1000 Hz | 2000 Hz | 4000 Hz | 8000 Hz |
| 4A7A7060A1 | 74 | 68 | 70 | 66 | 69 | 66 | 57 | 57 | 53 |

Note: Rated in accordance with AHRI Standard 270-2008

Mechanical Specification Options

General

The outdoor condensing units are factory charged with the system charge required for the outdoor condensing unit, ten (10) feet of tested connecting line, and the smallest rated indoor evaporative coil match. This unit is designed to operate at outdoor ambient temperatures as high as 115°F. Cooling capacities are matched with a wide selection of air handlers and furnace coils that are AHRI certified. The unit shall be certified to UL 1995. Exterior is designed for outdoor application.

Casing

Unit casing is constructed of heavy gauge, G60 galvanized steel and painted with a weather-resistant powder paint on all louvers and panels. Corrosion and weather-proof CMBP-G30 DuraBase™ base.

Refrigerant Controls

Refrigeration system controls include condenser fan, compressor contactor and high pressure switch. High and low pressure controls are inherent to the compressor. A factory installed liquid line drier is standard.

Compressor

The Duration® 2-stage compressor features internal over temperature and pressure protection and hermetic motor. Other features include: roto lock suction and discharge refrigerant connections, centrifugal oil pump and modular plugs for electrical connections.

Condenser Coil

The outdoor coil provides low airflow resistance and efficient heat transfer. The coil is protected on all four sides by louvered panels.

Low Ambient Cooling

As manufactured, this unit has a cooling capability to 55°F. For low ambient cooling below 55° see Application Guide APP-APG014-EN.



About American Standard Heating and Air Conditioning
American Standard has been creating comfortable and affordable living environments for more than a century. For more information, please visit www.americanstandardair.com.



The AHRI Certified mark indicates company participation in the AHRI Certification program. For verification of individual certified products, go to ahridirectory.org.

The manufacturer has a policy of continuous data improvement and it reserves the right to change design and specifications without notice. We are committed to using environmentally conscious print practices.