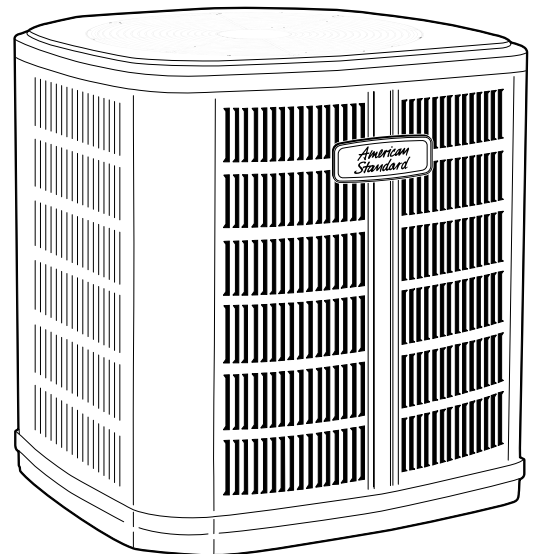


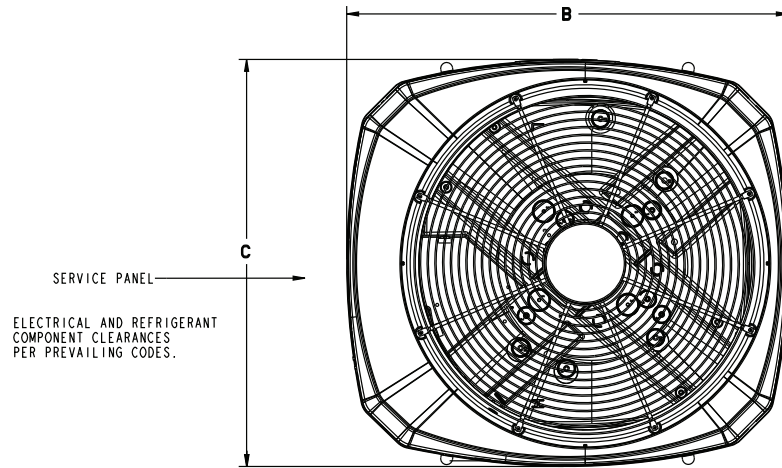
Submittal

Split System Cooling

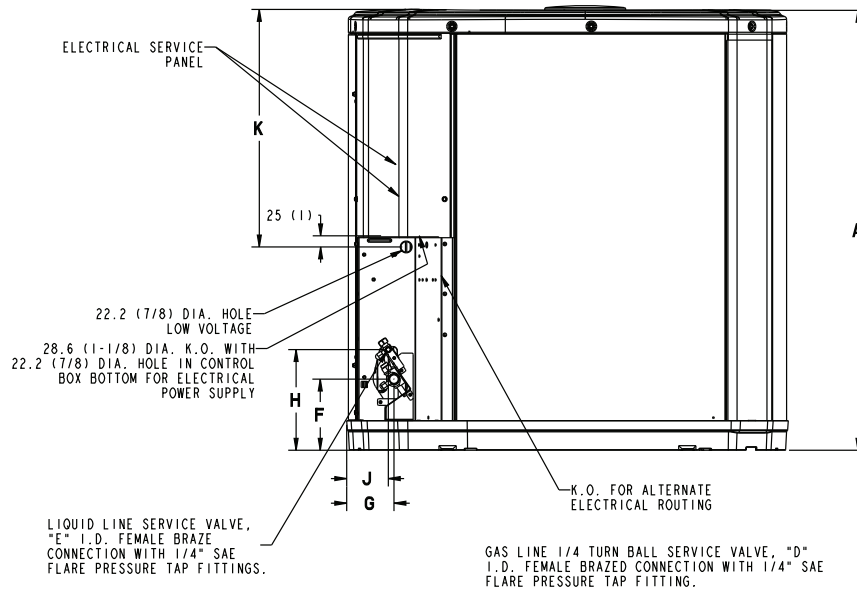
4A7A4042N1000A



Note: "Graphics in this document are for representation only. Actual model may differ in appearance."



TOP DISCHARGE AREA SHOULD BE UNRESTRICTED FOR AT LEAST 1524 (5 FEET) ABOVE UNIT. UNIT SHOULD BE PLACED SO ROOF RUN-OFF WATER DOES NOT POUR DIRECTLY ON UNIT, AND SHOULD BE AT LEAST 305 (12") FROM WALL AND ALL SURROUNDING SHRUBBERY ON TWO SIDES. OTHER TWO SIDES UNRESTRICTED.



| Model | Base | A | B | C | D | E | F | G | H | J | K |
|-----------|------|-----------------|-----------------|-----------------|-----|-----|----------------|---------------|----------------|---------------|-------------|
| 4A7A4042N | 4 | 943 (37-1/8) | 946 (37-1/4) | 870 (34-1/4) | 3/4 | 3/8 | 143 (5-5/8) | 98 (3-7/8) | 219 (8-5/8) | 86 (3-3/8) | 508 (20) |

| SOUND POWER LEVEL | | | | | | | | | |
|-------------------|--------------------------------------|------------------------------|--------|--------|--------|---------|---------|---------|---------|
| Model | A-Weighted Sound Power Level [dB(A)] | Full Octave Sound Power [dB] | | | | | | | |
| | | 63 Hz* | 125 Hz | 250 Hz | 500 Hz | 1000 Hz | 2000 Hz | 4000 Hz | 8000 Hz |
| 4A7A4042N | 72 | 81 | 75 | 71 | 70 | 68 | 63 | 58 | 53 |

Note: Rated in accordance with AHRI Standard 270-2008 *For reference only

Product Specifications

| | |
|---|----------------------|
| OUTDOOR UNIT ^(a) ^(b) | 4A7A4042N1000A |
| POWER CONNS. — V/PH/HZ ^(c) | 208/230/1/60 |
| MIN. BRCH. CIR. AMPACITY | 20 |
| BR. CIR. PROT. RTG. — MAX. (AMPS) | 35 |
| COMPRESSOR | DURATION™- SCROLL |
| NO. USED — NO. STAGES | 1 — 1 |
| VOLTS/PH/HZ | 208/230/1/60 |
| R.L. AMPS ^(d) — L.R. AMPS | 15.4 — 92.1 |
| FACTORY INSTALLED | |
| START COMPONENTS ^(e) | NO (Uses BAYKSKT263) |
| INSULATION/SOUND BLANKET | NO |
| COMPRESSOR HEAT | NO |
| OUTDOOR FAN | PROPELLER |
| DIA. (IN.) — NO. USED | 27.5 — 1 |
| TYPE DRIVE — NO. SPEEDS | DIRECT — 1 |
| CFM @ 0.0 IN. W.G. ^(f) | 4513 |
| NO. MOTORS — HP | 1 — 1/5 |
| MOTOR SPEED R.P.M. | 850 |
| VOLTS/PH/HZ | 208/230/1/60 |
| F.L. AMPS | 1.05 |
| OUTDOOR COIL — TYPE | SPINE FIN™ |
| ROWS — F.P.I. | 1 — 24 |
| FACE AREA (SQ. FT.) | 24.93 |
| TUBE SIZE (IN.) | 3/8 |
| REFRIGERANT | |
| LBS. — R-410A (O.D. UNIT) ^(g) | 6 LBS., 6 OZ |
| FACTORY SUPPLIED | YES |
| LINE SIZE — IN. O.D. GAS ^(h) | 7/8 |
| LINE SIZE — IN. O.D. LIQ. | 3/8 |
| CHARGING SPECIFICATIONS | |
| SUBCOOLING | 10°F |
| DIMENSIONS | H X W X D |
| CRATED (IN.) | 42 x 35.1 x 38.7 |
| WEIGHT | |
| SHIPPING (LBS.) | 246 |
| NET (LBS.) | 212 |

- (a) Certified in accordance with the Air-Source Unitary Air-conditioner Equipment certification program, which is based on AHRI standard 210/240.
- (b) Rated in accordance with AHRI standard 270.
- (c) Calculated in accordance with Natl. Elec. Codes. Use only HACR circuit breakers or fuses.
- (d) This value shown for compressor RLA on the unit nameplate and on this specification sheet is used to compute minimum branch circuit ampacity and max. fuse size. The value shown is the branch circuit selection current.
- (e) Use start components only when compressor is found to enter locked rotor condition and will not start or when lights dim at compressor start. No means no start components. Yes means quick start kit components. PTC means positive temperature coefficient starter. Optional kit shown.
- (f) Standard Air — Dry Coil — Outdoor
- (g) This value approximate. For more precise value see unit nameplate.
- (h) Max. linear length 60 ft.; Max. lift — Suction 60 ft.; Max. lift — Liquid 60 ft. For greater length consult refrigerant piping software Pub. No. 32-3312-0* (* denotes latest revision).

Mechanical Specification Options

General

The outdoor condensing units are factory charged with the system charge required for the outdoor condensing unit, ten (10) feet of tested connecting line, and the smallest rated indoor evaporative coil match. This unit is designed to operate at outdoor ambient temperatures as high as 115°F. Cooling capacities are matched with a wide selection of air handlers and furnace coils that are AHRI certified. The unit is certified to UL 1995. Exterior is designed for outdoor application.

Casing

Unit casing is constructed of heavy gauge, galvanized steel and painted with a weather-resistant powder paint finish. The corner panels are prepainted. All panels are subjected to our 1,000 hour salt spray test.

Refrigerant Controls

Refrigeration system controls include condenser fan, compressor contactor and low and high pressure switches. A factory supplied, field installed liquid line drier is standard.

Compressor

The compressor features internal over temperature and pressure protection. Other features include: Centrifugal oil pump and low vibration and noise.

Condenser Coil

The outdoor coil provides low airflow resistance and efficient heat transfer. The coil is protected on all four sides by louvered panels.

Low Ambient Cooling

As manufactured, this system has a cooling capacity to 55°F. The addition of an evaporator defrost control permits operation to 40°F. The addition of an evaporator defrost control with TXV permits low ambient cooling to 30°F.

The addition of the BAYLOAM107A low ambient kit permits ambient cooling to 20°F.

Thermostats—Cooling only and heat/cooling (manual and automatic change over). Sub-base to match thermostat and locking thermostat cover.

American Standard[®]
HEATING & AIR CONDITIONING

About American Standard Heating and Air Conditioning
American Standard has been creating comfortable and affordable living environments for more than a century. For more information, please visit www.americanstandardair.com.



The AHRI Certified mark indicates company participation in the AHRI Certification program. For verification of individual certified products, go to ahridirectory.org.

The manufacturer has a policy of continuous data improvement and it reserves the right to change design and specifications without notice. We are committed to using environmentally conscious print practices.

4A7A4042N-SUB-1A-EN 28 Mar 2022
Supersedes (New)

©2022 American Standard Heating and Air Conditioning