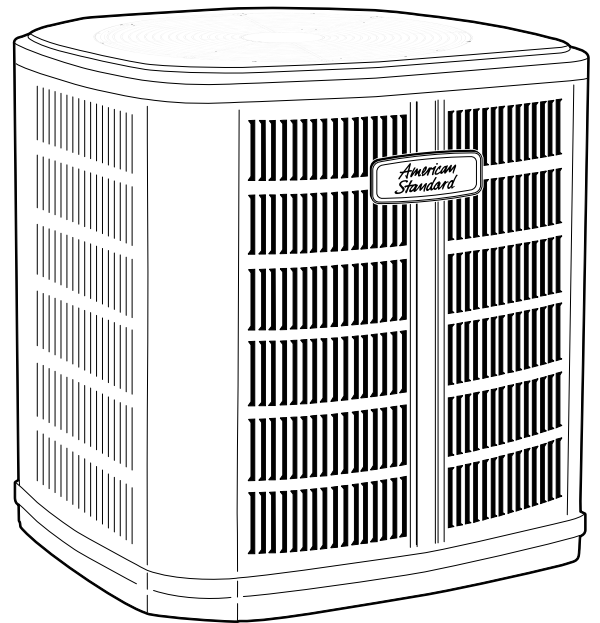


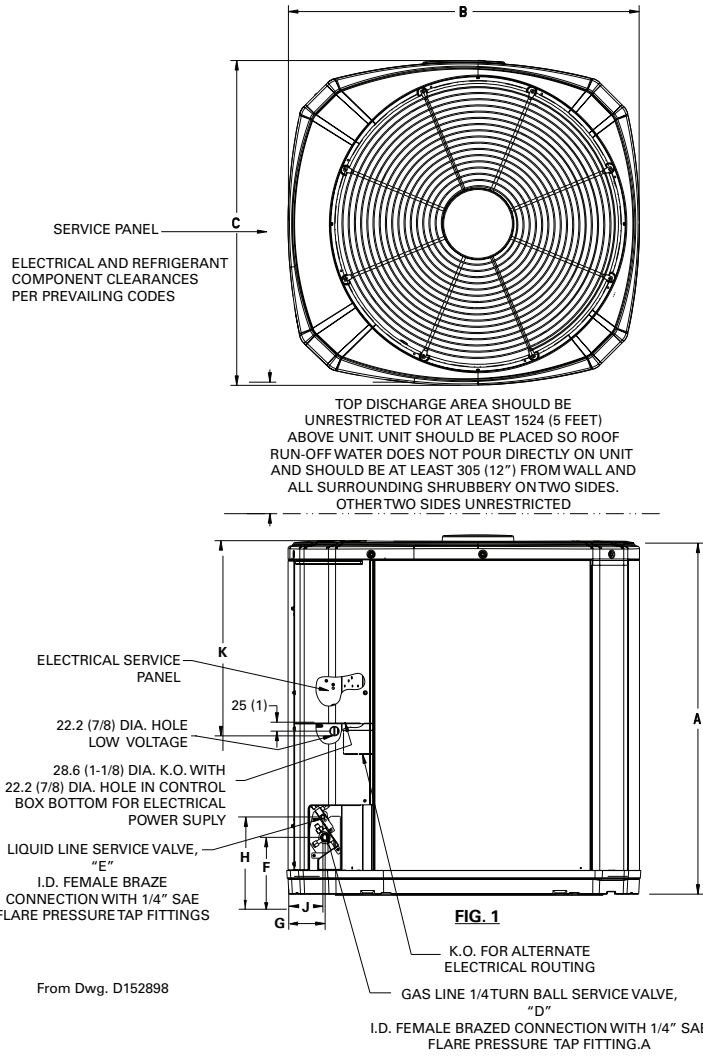
Product Data

Split System Cooling

4A7A3018H1000N
4A7A3024H1000N/P
4A7A3030H1000N
4A7A3036H1000N/P
4A7A3042E1000N
4A7A3043A1000N
4A7A3048E1000N
4A7A3048E1000P
4A7A3049A1000N
4A7A3060E1000N



Outline Drawing



Model	Base	A	B	C	D	E	F	G	H	J	K
4A7A3018H	2	730 (28-3/4)	724 (28-1/2)	651 (25-5/8)	3/4	3/8	127 (5)	57 (2-1/4)	194 (7-5/8)	38 (1-1/2)	457 (18)
4A7A3024H	2	730 (28-3/4)	724 (28-1/2)	651 (25-5/8)	3/4	3/8	137 (5-3/8)	65 (2-5/8)	210 (8-1/4)	57 (2-1/4)	457 (18)
4A7A3030H	2	730 (28-3/4)	724 (28-1/2)	651 (25-5/8)	3/4	3/8	137 (5-3/8)	65 (2-5/8)	210 (8-1/4)	57 (2-1/4)	457 (18)
4A7A3036H	3	730 (28-3/4)	829 (32-5/8)	756 (29-3/4)	3/4	3/8	137 (5-3/8)	79 (3-1/8)	197 (7-3/4)	60 (2-3/8)	508 (20)
4A7A3042E	3	730 (28-3/4)	829 (32-5/8)	756 (29-3/4)	7/8	3/8	152 (6)	98 (3-7/8)	219 (8-5/8)	86 (3-3/8)	508 (20)
4A7A3043A	4.2	741 (29-1/8)	946 (37-1/4)	870 (34-1/4)	7/8	3/8	152 (6)	98 (3-7/8)	219 (8-5/8)	86 (3-3/8)	508 (20)
4A7A3048E	3	933 (36-3/4)	829 (32-5/8)	756 (29-3/4)	7/8	3/8	152 (6)	98 (3-7/8)	219 (8-5/8)	86 (3-3/8)	508 (20)
4A7A3049A	4.2	741 (29-1/8)	946 (37-1/4)	870 (34-1/4)	7/8	3/8	152 (6)	98 (3-7/8)	219 (8-5/8)	86 (3-3/8)	508 (20)
4A7A3060E	4.4	943 (37-1/8)	946 (37-1/4)	870 (34-1/4)	7/8	3/8	152 (6)	98 (3-7/8)	219 (8-5/8)	86 (3-3/8)	508 (20)

Product Specifications

Model No. ^(a)	4A7A3018H1000N	4A7A3024H1000N/ 4A7A3024H1000P	4A7A3030H1000N
POWER CONNS. — V/PH/HZ ^(b)	208/230/1/60	208/230/1/60	208/230/1/60
MIN. BRCH. CIR. AMPACITY	12	18 / 14	16
BR. CIR. PROT. RTG. — MAX. (AMPS)	20	30 / 20	25
COMPRESSOR	DURATION®- SCROLL	DURATION®- SCROLL	DURATION®- SCROLL
RL AMPS — LR AMPS	9 — 48	13.5 — 58.3 / 10.1 — 52	12.3 — 63
Outdoor Fan FL AMPS	0.64	0.64	0.9
Fan HP	1/8	1/8	1/8
Fan Dia (inches)	23.0	23.0	18.9
Coil	SPINE FIN™	SPINE FIN™	SPINE FIN™
Refrigerant R-410A	4 LBS., 2 OZ	4 LBS., 2 OZ	4 LBS., 2 OZ
LINE SIZE — IN. O.D. GAS ^(c)	3/4	3/4	3/4
LINE SIZE — IN. O.D. LIQ. ^(c)	3/8	3/8	3/8
Charge Spec. Subcooling	10°F	10°F	10°F
Dimensions H x W X D Crated (IN.)	34 x 30.1 x 33	34 x 30.1 x 33	30 x 27 x 30
Weight — Shipping (lbs.)	167	169	157
Weight — Net (lbs.)	140	142	137
Optional Accessories:			
Anti-short Cycle Timer	TAYASCT501A	TAYASCT501A	TAYASCT501A
Evaporator Defrost Control	AY28X079	AY28X079	AY28X079
Rubber Isolator Kit	BAYISLT101	BAYISLT101	BAYISLT101
Extreme Condition Mount Kit	BAYECMT023	BAYECMT023	BAYECMT023
Start Kit	BAYKSKT263	BAYKSKT263	BAYKSKT263
Crankcase Heater Kit	BAYCCHT302	BAYCCHT302	BAYCCHT302
Seacoast Kit	BAYSEAC001	BAYSEAC001	BAYSEAC001
Low Ambient Kit	BAYLOAM103	BAYLOAM103	BAYLOAM103
Service Valve Panel Cover	-	-	-
Refrigerant Lineset ^(d)			

- ^(a) Certified in accordance with the Unitary Air-conditioner equipment certification program which is based on AHRI standard 210/240.
- ^(b) Calculated in accordance with N.E.C. Only use HACR circuit breakers or fuses.
- ^(c) Standard line lengths — 60', Standard lift — 60' Suction and Liquid line. For Greater lengths and lifts refer to refrigerant piping software Pub#32-3312-0* (* denotes latest revision).
- ^(d) 25, 30, 35, and 50 foot linesets available. For a complete listing of lineset options available from equipment or supply stores, refer to the American Standard Quick Reference Guide.

Product Specifications

Model No. ^(a)	4A7A3036H1000N/ 4A7A3036H1000P	4A7A3042E1000N	4A7A3043A1000N
POWER CONNS. — V/PH/HZ ^(b)	208/230/1/60	208/230/1/60	208/230/1/60
MIN. BRCH. CIR. AMPACITY	18	22	22
BR. CIR. PROT. RTG. — MAX. (AMPS)	30 / 35	35	35
COMPRESSOR	DURATION®- SCROLL	DURATION®- SCROLL	DURATION®- SCROLL
RL AMPS — LR AMPS	14.7 — 75 / 14.1 — 75	17.0 — 124	16.7 — 109
Outdoor Fan FL AMPS	0.7	0.7	1.05
Fan HP	1/8	1/8	1/5
Fan Dia (inches)	23.0	23	27.5
Coil	SPINE FIN™	SPINE FIN™	SPINE FIN™
Refrigerant R-410A	4 LBS., 2 OZ	5 LBS., 2 OZ	6 LBS., 7 OZ
LINE SIZE — IN. O.D. GAS ^(c)	3/4	7/8	7/8
LINE SIZE — IN. O.D. LIQ. ^(c)	3/8	3/8	3/8
Charge Spec. Subcooling	10°F	10°F	12°F
Dimensions H x W X D Crated (IN.)	34 x 30.1 x 33	34 x 30.1 x 33	34.4 x 35.1 x 38.7
Weight — Shipping (lbs.)	175	200	216
Weight — Net (lbs.)	147	172	184
Optional Accessories:			
Anti-short Cycle Timer	TAYASCT501A	TAYASCT501A	TAYASCT501A
Evaporator Defrost Control	AY28X079	AY28X079	AY28X079
Rubber Isolator Kit	BAYISLT101	BAYISLT101	BAYISLT101
Extreme Condition Mount Kit	BAYECMT023	BAYECMT004	BAYECMT004
Start Kit	BAYKSKT263	BAYKSKT263	BAYKSKT263
Crankcase Heater Kit	BAYCCHT302	BAYCCHT301	BAYCCHT301
Seacoast Kit	BAYSEAC001	BAYSEAC001	BAYSEAC001
Low Ambient Kit	BAYLOAM103	BAYLOAM103	BAYLOAM103
Service Valve Panel Cover	AAYSVPANL0032AA	AAYSVPANL0032AA	AAYSVPANL3343AA
Refrigerant Lineset ^(d)			

- ^(a) Certified in accordance with the Unitary Air-conditioner equipment certification program which is based on AHRI standard 210/240.
- ^(b) Calculated in accordance with N.E.C. Only use HACR circuit breakers or fuses.
- ^(c) Standard line lengths — 60', Standard lift — 60' Suction and Liquid line. For Greater lengths and lifts refer to refrigerant piping software Pub#32-3312-0* (* denotes latest revision).
- ^(d) 25, 30, 35, and 50 foot linesets available. For a complete listing of lineset options available from equipment or supply stores, refer to the American Standard Quick Reference Guide.

Product Specifications

Model No. ^(a)	4A7A3048E1000N/P	4A7A3049A1000N	4A7A3060E1000N
POWER CONNS. — V/PH/HZ ^(b)	208/230/1/60	208/230/1/60	208/230/1/60
MIN. BRCH. CIR. AMPACITY	28	24	27
BR. CIR. PROT. RTG. — MAX. (AMPS)	45	40	45
COMPRESSOR	DURATION®- SCROLL	DURATION®- SCROLL	DURATION®- SCROLL
RL AMPS — LR AMPS	21.8 — 117	18-5 — 124	20.8 — 127.1
Outdoor Fan FL AMPS	0.93	1.05	1.05
Fan HP	1/5	1/5	1/5
Fan Dia (inches)	23	27.5	27.5
Coil	SPINE FIN™	SPINE FIN™	SPINE FIN™
Refrigerant R-410A	6 LBS., 7 OZ	6 LBS., 9 OZ	7 LBS., 10 OZ
LINE SIZE — IN. O.D. GAS ^(c)	7/8	7/8	7/8
LINE SIZE — IN. O.D. LIQ. ^(c)	3/8	3/8	3/8
Charge Spec. Subcooling	10°F	10°F	10°F
Dimensions H x W X D Crated (IN.)	42 x 30.1 x 33	34.4 x 35.1 x 38.7	42.4 x 35.1 x 38.7
Weight — Shipping (lbs.)	233	212	246
Weight — Net (lbs.)	197	189	211
Optional Accessories:			
Anti-short Cycle Timer	TAYASCT501A	TAYASCT501A	TAYASCT501A
Evaporator Defrost Control	AY28X079	AY28X079	AY28X079
Rubber Isolator Kit	BAYISLT101	BAYISLT101	BAYISLT101
Extreme Condition Mount Kit	BAYECMT004	BAYECMT004	BAYECMT004
Start Kit	BAYKSKT263	BAYKSKT263	BAYKSKT263
Crankcase Heater Kit	BAYCCHT301	BAYCCHT301	BAYCCHT301
Seacoast Kit	BAYSEAC001	BAYSEAC001	BAYSEAC001
Low Ambient Kit	BAYLOAM103	BAYLOAM103	BAYLOAM103
Service Valve Panel Cover	AAYSVPANL0044AA	AAYSVPANL0044AA	AAYSVPANL0044AA
Refrigerant Lineset ^(d)			

- (a) Certified in accordance with the Unitary Air-conditioner equipment certification program which is based on AHRI standard 210/240.
- (b) Calculated in accordance with N.E.C. Only use HACR circuit breakers or fuses.
- (c) Standard line lengths — 60', Standard lift — 60' Suction and Liquid line. For Greater lengths and lifts refer to refrigerant piping software Pub#32-3312-0* (* denotes latest revision).
- (d) 25, 30, 35, and 50 foot linesets available. For a complete listing of lineset options available from equipment or supply stores, refer to the American Standard Quick Reference Guide.

		Sound Power Level							
MODEL	A-Weighted Sound Power Level [dB(A)]	Full Octave Sound Power(dB)							
		63 Hz*	125 Hz	250 Hz	500 Hz	1000 Hz	2000 Hz	4000 Hz	8000 Hz
4A7A3018H1	72	73.7	71.4	65.4	68	67.3	62.9	56	50.3
4A7A3024H1	74	47.9	60.5	64.1	71.2	71.2	69.0	58.2	51.5
4A7A3030H1	72	69.9	69.6	69.1	68.6	68.7	60.9	56.2	48.9
4A7A3036H1	68	74.7	65.0	65.2	66.4	63.6	58.7	56.3	52.8
4A7A3042E1	72	77.6	68.3	67.4	65.6	67.4	58.2	54.1	47.6
4A7A3043A1	72	77.6	68.3	67.4	65.6	67.4	58.2	54.1	47.6
4A7A3048E1	74	72.5	72.3	69.2	67.5	72.3	60.2	55.2	54.2
4A7A3049A1	74	72.5	72.3	69.2	67.5	72.3	60.2	55.2	54.2
4A7A3060E1	71	81	72	69	69	66	60	57	54
Note: Rated in accordance with AHRI Standard 270-2008 *For Reference Only									

Accessory Description and Usage

Anti-Short Cycle Timer — Solid state timing device that prevents compressor recycling until five (5) minutes have elapsed after satisfying call or power interruptions. Use in area with questionable power delivery, commercial applications, long lineset, etc.

Evaporation Defrost Control — SPST Temperature actuated switch that cycles the condenser off as indoor coil reaches freeze-up conditions. Used for low ambient cooling to 30°F with TXV.

Rubber Isolators — Five (5) large rubber donuts to isolate condensing unit from transmitting energy into mounting frame or pad. Use on any application where sound transmission needs to be minimized.

Hard Start Kit — Start capacitor and relay to assist compressor motor startup. Use in areas with marginal power supply, on long linesets, low ambient conditions, etc.

Extreme Condition Mount Kit — Bracket kits to securely mount condensing unit to a frame or pad without removing any panels. Use in areas with high winds, or on commercial roof tops, etc.

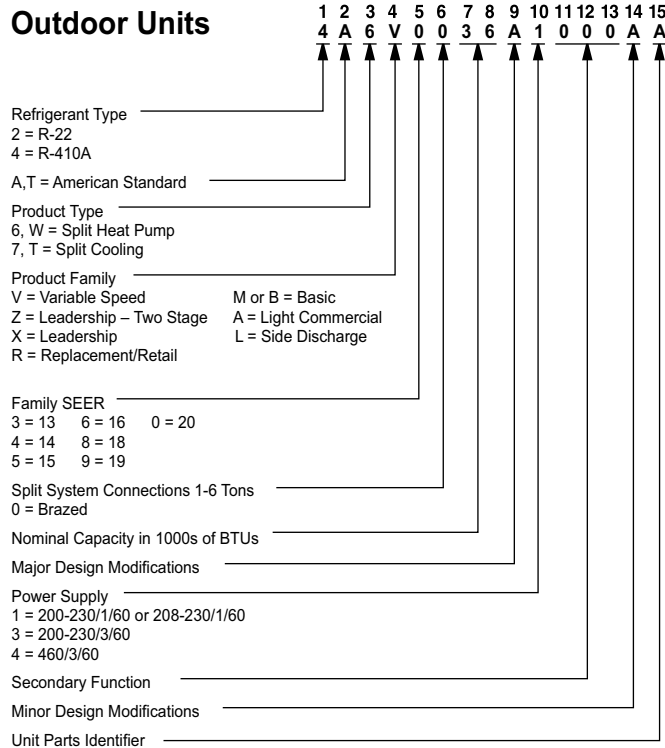
AHRI Standard Capacity Rating Conditions

AHRI Standard 210/240 Rating Conditions

1. Cooling 80°F DB, 67°F WB air entering indoor coil, 95°F DB air entering outdoor coil.
2. High Temperature Heating 47°F DB, 43°F WB air entering outdoor coil, 70°F DB air entering indoor coil.
3. Low Temperature Heating 17°F DB air entering indoor coil.
4. Rated indoor airflow for heating is the same as for cooling.

AHRI Standard 270 Rating Conditions — (Noise rating numbers are determined with the unit in cooling operations.) Standard Noise Rating number is at 95°F outdoor air.

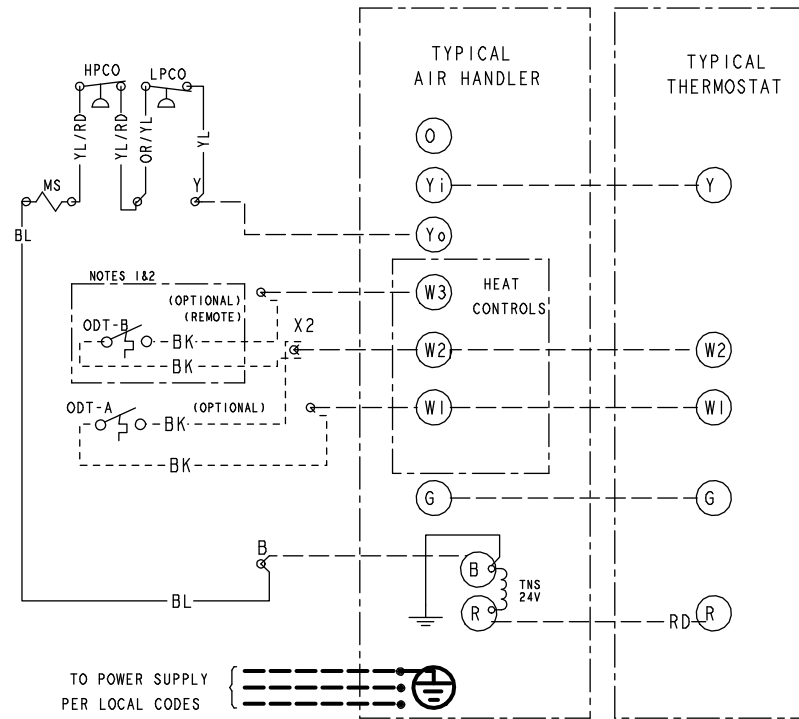
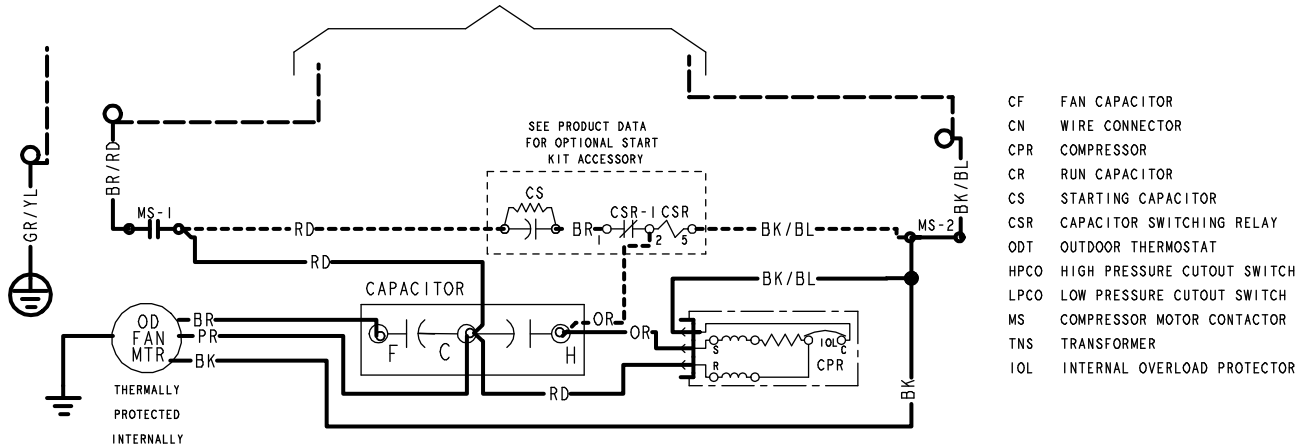
Model Nomenclature



Schematic Diagrams

Figure 1. 1.5 — 3.5 Ton Models

TO POWER SUPPLY PER UNIT NAMEPLATE AND LOCAL CODES



⚠ WARNING

HAZARDOUS VOLTAGE!
DISCONNECT ALL ELECTRICAL POWER INCLUDING REMOTE DISCONNECTS BEFORE SERVICING.
Failure to disconnect power before servicing can cause severe personal injury or death.

⚠ CAUTION

USE COPPER CONDUCTORS ONLY!
UNIT TERMINALS ARE NOT DESIGNED TO ACCEPT OTHER TYPES OF CONDUCTORS.
Failure to do so may cause damage to the equipment.

COLOR OF WIRE
BK/BL
COLOR OF MARKER

BK BLACK RD RED OR ORANGE
BL BLUE WH WHITE GR GREEN
BR BROWN YL YELLOW PR PURPLE
PK PINK

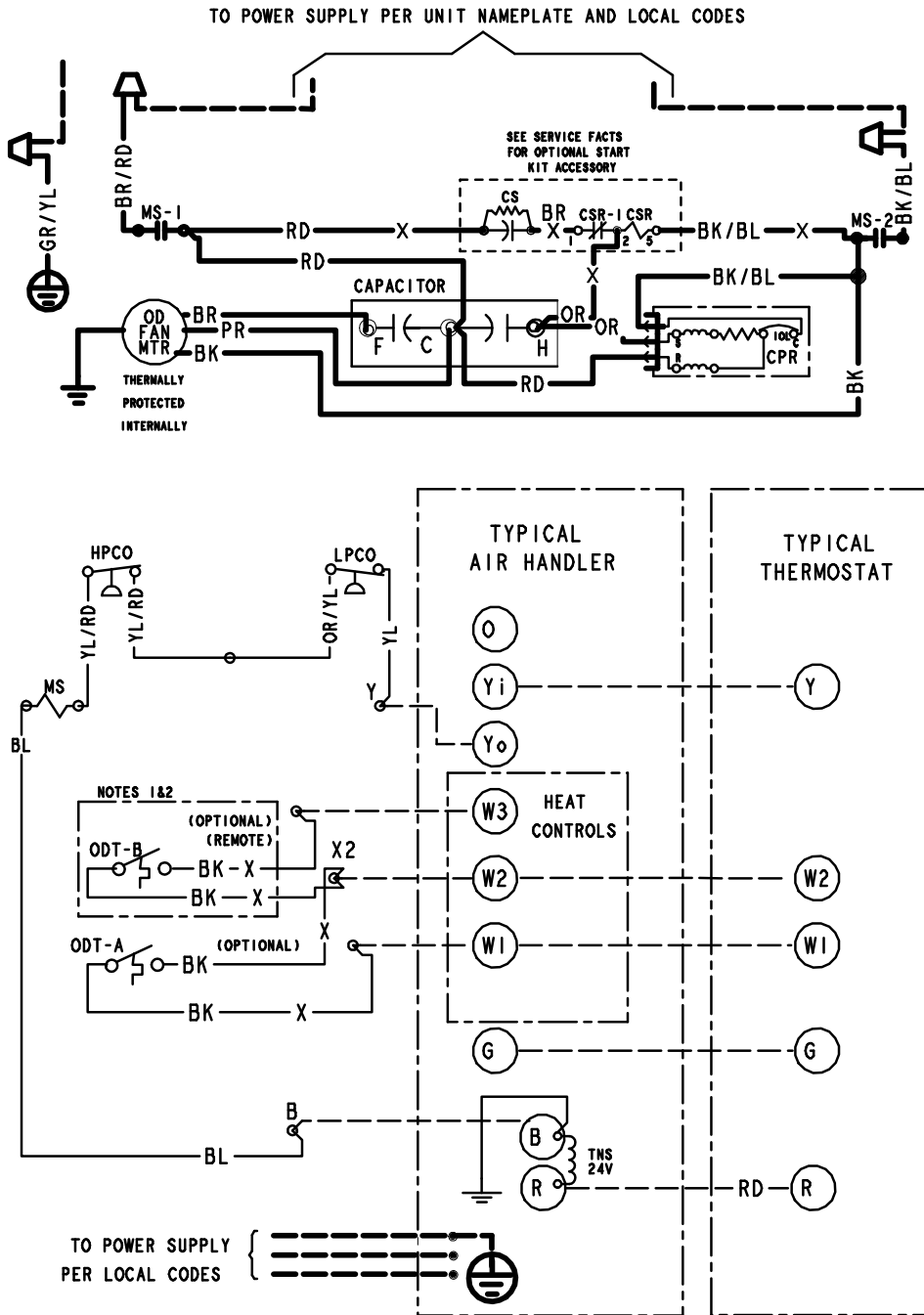
- NOTES:
- IF ODT-B IS NOT USED, ADD JUMPER BETWEEN W2 & W3 AT AIR HANDLER. IF USED, ODT-B MUST BE MOUNTED REMOTE OF CONTROL BOX IN AN APPROVED WEATHER PROOF ENCLOSURE.
 - IF ODT-A IS NOT USED, ADD JUMPER BETWEEN W1 & W2 AT AIR HANDLER.
 - LOW VOLTAGE (24 V) FIELD WIRING MUST BE 18 AWG MINIMUM.
 - USE COPPER CONDUCTORS ONLY!

FOR CANADIAN INSTALLATIONS
POUR INSTALLATIONS CANADIENNES

CAUTION: NOT SUITABLE FOR USE ON SYSTEMS EXCEEDING 150V-TO-GROUND
ATTENTION: NE CONVIENT PAS AUX INSTALLATIONS DE PLUS DE 150 V A LA TERRE

PRINTED FROM DI57047P03 REVA

Figure 2. 4.0 – 5.0 Ton Models



LEGEND

- CF FAN CAPACITOR
- CN WIRE CONNECTOR
- CPR COMPRESSOR
- CR RUN CAPACITOR
- CS STARTING CAPACITOR
- CSR CAPACITOR SWITCHING RELAY
- ODT OUTDOOR THERMOSTAT
- HPCO HIGH PRESSURE CUTOUT SWITCH
- LPCO LOW PRESSURE CUTOUT SWITCH
- MS COMPRESSOR MOTOR CONTACTOR
- TNS TRANSFORMER
- IOL INTERNAL OVERLOAD PROTECTOR

COLOR OF WIRE
BK/BL
COLOR OF MARKER

- BK BLACK RD RED OR ORANGE
- BL BLUE WH WHITE GR GREEN
- BR BROWN YL YELLOW PR PURPLE
- PK PINK

FOR CANADIAN INSTALLATIONS
POUR INSTALLATIONS CANADIENNES

**CAUTION: NOT SUITABLE FOR USE ON SYSTEMS EXCEEDING 150V-TO-GROUND
ATTENTION: NE CONVIENT PAS AUX INSTALLATIONS DE PLUS DE 150 V A LA TERRE**

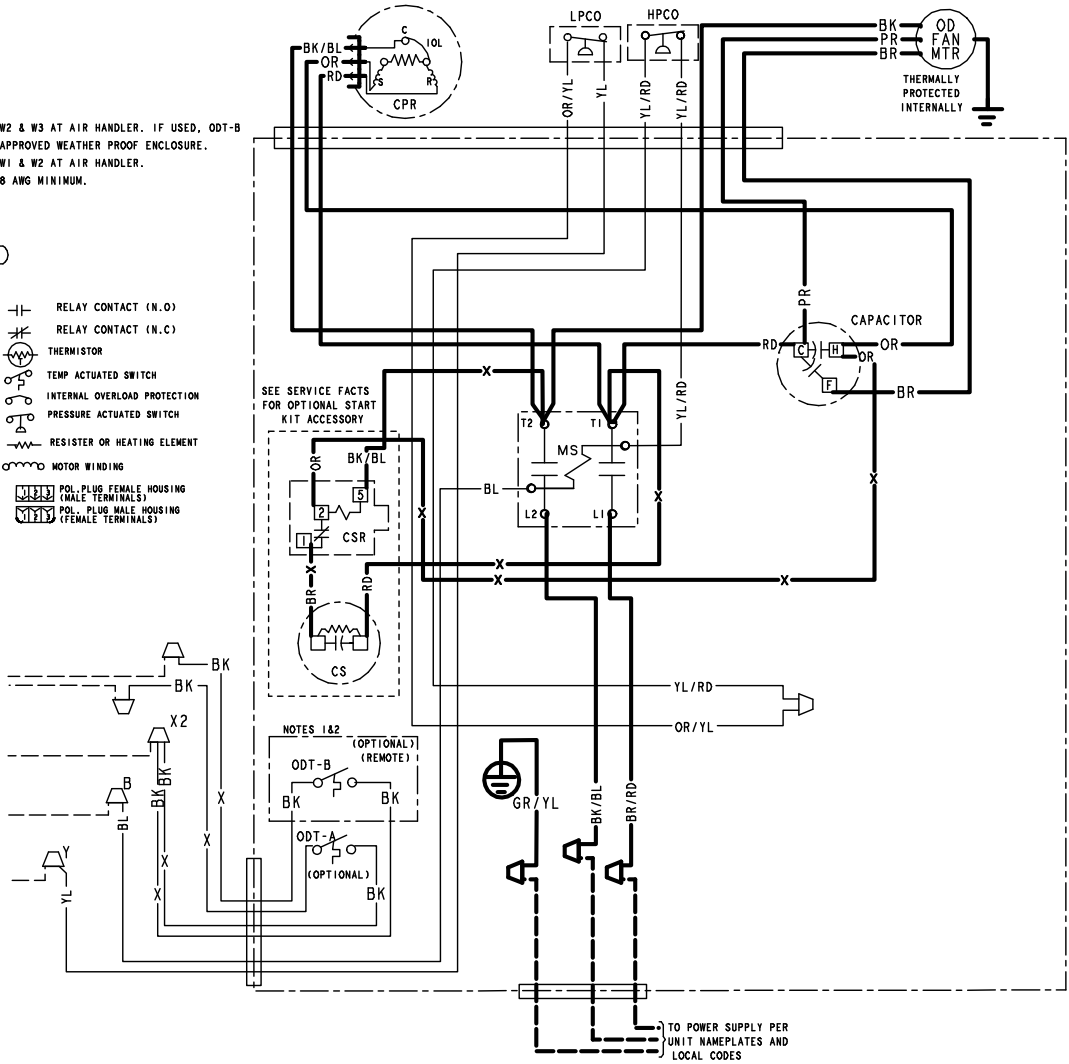
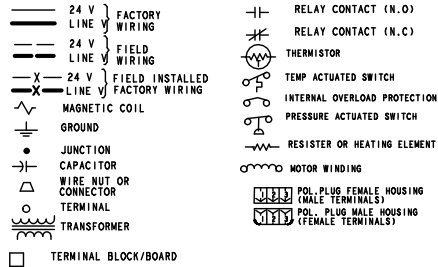
PRINTED FROM DI60439P01 REVA

Figure 3. 4.0 – 5.0 Ton Models

NOTES:

1. IF ODT-B IS NOT USED, ADD JUMPER BETWEEN W2 & W3 AT AIR HANDLER. IF USED, ODT-B MUST BE MOUNTED REMOTE OF CONTROL BOX IN AN APPROVED WEATHER PROOF ENCLOSURE.
2. IF ODT-A IS NOT USED, ADD JUMPER BETWEEN W1 & W2 AT AIR HANDLER.
3. LOW VOLTAGE (24 V) FIELD WIRING MUST BE 18 AWG MINIMUM.
4. USE COPPER CONDUCTORS ONLY!

LEGEND



PRINTED FROM D160439P01 REVA

Mechanical Specification Options

General

The outdoor condensing units are factory charged with the system charge required for the outdoor condensing unit, ten (10) feet of tested connecting line, and the smallest rated indoor evaporative coil match. This unit is designed to operate at outdoor ambient temperatures as high as 115°F. Cooling capacities are matched with a wide selection of air handlers and furnace coils that are AHRI certified. The unit is certified to UL 1995. Exterior is designed for outdoor application.

Casing

Unit casing is constructed of heavy gauge, galvanized steel and painted with a weather-resistant powder paint finish. The corner panels are prepainted. All panels are subjected to our 1,000 hour salt spray test.

Refrigerant Controls

Refrigeration system controls include condenser fan, compressor contactor and low and high pressure switches. A factory supplied, field installed liquid line drier is standard.

Compressor

The compressor features internal over temperature and pressure protection. Other features include: Centrifugal oil pump and low vibration and noise.

Condenser Coil

The outdoor coil provides low airflow resistance and efficient heat transfer. The coil is protected on all four sides by louvered panels.

Low Ambient Cooling

As manufactured, this system has a cooling capacity to 55°F. The addition of an evaporator defrost control permits operation to 40°F. The addition of an evaporator defrost control with TXV permits low ambient cooling to 30°F.

The addition of the BAYLOAM107A low ambient kit permits ambient cooling to 20°F.

Thermostats—Cooling only and heat/cooling (manual and automatic change over). Sub-base to match thermostat and locking thermostat cover.

American Standard[®]
HEATING & AIR CONDITIONING

About American Standard Heating and Air Conditioning
American Standard has been creating comfortable and affordable living environments for more than a century. For more information, please visit www.americanstandardair.com.



The AHRI Certified mark indicates company participation in the AHRI Certification program. For verification of individual certified products, go to ahridirectory.org.

The manufacturer has a policy of continuous data improvement and it reserves the right to change design and specifications without notice. We are committed to using environmentally conscious print practices.