

TAG: \_\_\_\_\_

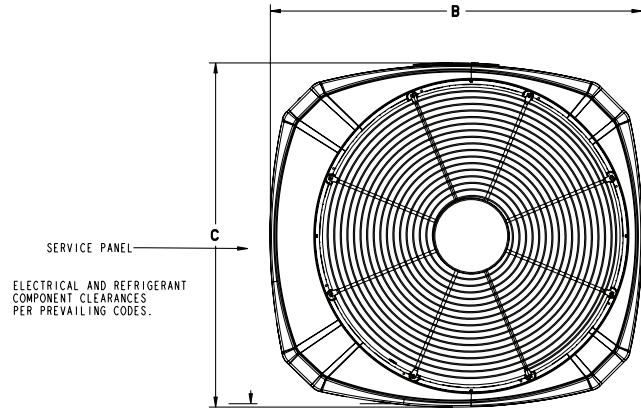
# SPECIFICATIONS

## 2 Ton Split System Cooling — 1 Phase

### 4A7A3024G

#### Product Specifications

NOTE: All dimensions are in mm/inches.



TOP DISCHARGE AREA SHOULD BE UNRESTRICTED FOR AT LEAST 1524 (5 FEET) ABOVE UNIT. UNIT SHOULD BE PLACED SO ROOF RUN-OFF WATER DOES NOT POUR DIRECTLY ON UNIT, AND SHOULD BE AT LEAST 305 (12") FROM WALL AND ALL SURROUNDING SHRUBBERY ON TWO SIDES. OTHER TWO SIDES UNRESTRICTED.

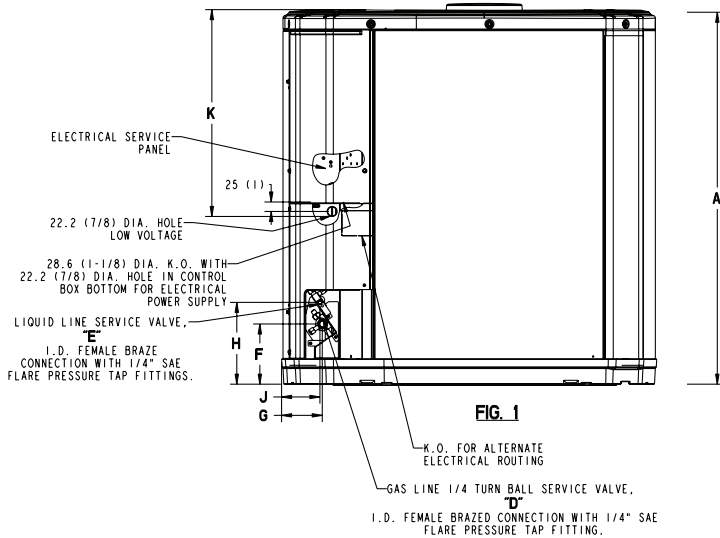


FIG. 1

From Dwg. D152898

OUTDOOR UNIT <sup>①②</sup>	4A7A3024G1000A
<b>POWER CONNS. — V/PH/HZ <sup>③</sup></b>	208/230/1/60
<b>MIN. BRCH. CIR. AMPACITY</b>	17
<b>BR. CIR. PROT. RTG. - MAX. (AMPS)</b>	25
<b>COMPRESSOR</b>	DURATION™ SCROLL
<b>NO. USED - NO. SPEEDS</b>	1 - 1
<b>VOLTS/PH/HZ</b>	208/230/1/60
<b>R.L. AMPS <sup>⑦</sup> - L.R. AMPS</b>	12.8 - 58.3
<b>FACTORY INSTALLED</b>	
<b>START COMPONENTS <sup>④</sup></b>	NO
<b>INSULATION/SOUND BLANKET</b>	NO
<b>COMPRESSOR HEAT</b>	NO
<b>OUTDOOR FAN</b>	PROPELLER
<b>DIA. (IN.) - NO. USED</b>	23 - 1
<b>TYPE DRIVE - NO. SPEEDS</b>	DIRECT - 1
<b>CFM @ 0.0 IN. W.G. <sup>④</sup></b>	2745
<b>NO. MOTORS - HP</b>	1 - 1/8
<b>MOTOR SPEED R.P.M.</b>	825
<b>VOLTS/PH/HZ</b>	200/230/1/60
<b>F.L. AMPS</b>	0.74
<b>OUTDOOR COIL — TYPE</b>	SPINE FIN™
<b>ROWS - F.P.I.</b>	1 - 24
<b>FACE AREA (SQ. FT.)</b>	12.89
<b>TUBE SIZE (IN.)</b>	3/8
<b>REFRIGERANT</b>	
<b>LBS. — R-410A (O.D. UNIT) <sup>⑤</sup></b>	5 LBS., 9 OZ.
<b>FACTORY SUPPLIED</b>	YES
<b>LINE SIZE - IN. O.D. GAS <sup>⑥</sup></b>	5/8
<b>LINE SIZE - IN. O.D. LIQ. <sup>⑥</sup></b>	3/8
<b>CHARGING SPECIFICATION</b>	
<b>SUBCOOLING</b>	10°F
<b>DIMENSIONS</b>	H X W X D
<b>CRATED (IN.)</b>	34 x 30.1 x 33
<b>WEIGHT</b>	
<b>SHIPPING (LBS.)</b>	169
<b>NET (LBS.)</b>	142

- ① Certified in accordance with the Air-Source Unitary Air-conditioner Equipment certification program, which is based on AHRI standard 210/240.
- ② Rated in accordance with AHRI standard 270.
- ③ Calculated in accordance with Natl. Elec. Codes. Use only HACR circuit breakers or fuses.
- ④ Standard Air — Dry Coil — Outdoor
- ⑤ This value approximate. For more precise value see unit nameplate.
- ⑥ Max. linear length 60 ft.; Max. lift - Suction 60 ft.; Max lift - Liquid 60 ft. For greater length consult refrigerant piping software Pub. No. 32-3312-0\* (\* denotes latest revision).
- ⑦ This value shown for compressor RLA on the unit nameplate and on this specification sheet is used to compute minimum branch circuit ampacity and max. fuse size. The value shown is the branch circuit selection current.
- ⑧ No means no start components. Yes means quick start kit components. PTC means positive temperature coefficient starter.

MODELS	BASE	FIG.	A	B	C	D	E	F	G	H	J	K
4A7A3024G	3	1	730 (28-3/4)	829 (32-5/8)	756 (29-3/4)	5/8	3/8	143 (5-5/8)	92 (3-5/8)	210 (8-1/4)	79 (3-1/8)	508 (20)

A-WEIGHTED SOUND POWER LEVEL [dB(A)]									
MODELS	SOUND POWER LEVEL [dB(A)]	A-WEIGHTED FULL OCTOAVE SOUND POWER LEVEL Db - [dB(A)]							
		63	125	250	500	1000	2000	4000	8000
4A7A3024G	71	79	70	66	69	70	70	62	55

Note: Rated in accordance with AHRI Standard 270-2008

# Mechanical Specification Options

## General

The 4A7A3 model is fully charged from the factory for up to 15 feet of piping. This unit is designed to operate at outdoor ambient temperatures as high as 115°F. Cooling capacities are matched with a wide selection of air handlers and furnace coils that are AHRI certified. The unit is certified to UL 1995. Exterior is designed for outdoor application.

## Casing

Unit casing is constructed of heavy gauge, G90 galvanized steel and painted with a weather-resistant powder paint on all louvers, panels, prepaint on all other panels. Corrosion and weather-proof CMBP-G30 DuraTuff™ base.

## Refrigerant Controls

Refrigeration system controls include condenser fan, compressor contactor and high pressure switch. High and low pressure controls are inherent to the compressor. A factory installed liquid line drier is standard.

## Compressor

The Duration® compressor features internal over temperature and pressure protection and total dipped hermetic motor. Other features include: Centrifugal oil pump and low vibration and noise.

## Condenser Coil

The outdoor coil provides low airflow resistance and efficient heat transfer. The coil is protected on all four sides by louvered panels.

## Low Ambient Cooling

As manufactured, this unit has a cooling capability to 55°F. The addition of an evaporator defrost control permits operation to 40° F. The addition of an evaporator defrost control with TXV permits low ambient cooling to 30° F.

## Accessories

**Thermostats** — Cooling only and heat/cooling (manual and automatic change-over). Sub-base to match thermostat and locking thermostat cover.

**Evaporator Defrost Control** — See Low Ambient Cooling.



*American Standard*  
HEATING & AIR CONDITIONING

American Standard  
Heating & Air Conditioning  
6200 Troup Highway  
Tyler, TX 75707  
[www.americanstandardair.com](http://www.americanstandardair.com)

09/12

American Standard Heating & Air Conditioning has a policy of continuous product and product data improvement and it reserves the right to change design and specifications without notice.