



**V**  
**44**



**PRODUCT**  
**CATALOG**

**PLATINUM**

**PROWLER**

**ELIMINATOR**

**KOBRA**

**ATLAS**  
Refrigerant Charging Scale

**LEPPELIN**

**THE**  
**LEADER IN**  
**HVAC TOOLS**  
**AND ACCESSORIES**



As we end the first decade of this new century we can reflect on what a tumultuous ten year period this has been. From the dot-com crash at the beginning of the decade to the near depression at the end of the decade, it will be remembered by most businesses and individuals as tough times. Whereas the economists and others who study economic cycles and indicators say the recession has ended, and indeed there are signs that signal things are beginning to improve, the ongoing unemployment situation, housing market stagnation and mounting deficit are factors that must be addressed to keep the economy moving in a positive direction.

We at JB are convinced that the resiliency demonstrated time and again by the American business community will once again make significant progress in the months ahead leading the way to a strong and robust recovery. For JB it means continuing to focus on the fundamentals that made us successful from our beginning; investing in new technology, product development, manufacturing processes and development of our employees. You have heard this all before but they remain JB's core values that have served us well in the past and will pave the way to future successes. Our products have been and will continue to be manufactured in the U. S. A., thereby reaffirming JB's commitment to protect American jobs and keep our dollars at home. This commitment requires us to keep our costs under control and continue to invest in technology that allows us to remain competitive without sacrificing JB's well known quality, and we have active programs underway to ensure that our commitment remains intact.

We want to recognize and acknowledge our employees and superior distributor network. Many of JB's employees have been with the company for many years and their tireless efforts and ideas have been instrumental to JB's longevity. JB's knowledgeable and dedicated distributor force has led the charge in keeping JB products at the forefront with our customers, and their expert observations and suggestions continue to influence product development and enhancements.

As we progress into the New Year, you can expect to see several new products added to our portfolio, with the particular details announced at an appropriate time. We appreciate the feedback we have received from our customers and distributors in assisting us to determine where best to invest our efforts to improve JB's operations, and we encourage additional feedback on any of JB's activities, either positive or negative. We are in business to service our customers and we need to be certain our activities are in sync with our customer needs.

Finally, ever mindful that we would not exist without our customers, we thank you for your continuing support, and we once again pledge our commitment to you; our employees and distributors will strive for excellence in all that we do. Hopefully along the way JB will be gaining and retaining your confidence and become your primary supplier for your service equipment needs. Let's work together to make 2011 a prosperous year for all.

Jeff Cherif  
President

# TABLE OF CONTENTS

DEEP VACUUM

CHARGING EQUIPMENT

GAUGES

HOSES

ACCESS VALVES

TOOLS & ACCESSORIES

BRASS FITTINGS

REPAIR PARTS

INDEX

Deep Vacuum 4-11

Platinum™ Pumps 4-5

Eliminator™ Pumps 6-7

Vacuum Pump Accessories 8-9

Digital Micron GaugeS 10-11

Charging Equipment 12-34

PROWLER LEAK DETECTOR 12

ATLAS Refrigeration Scale 13

Superheat/Subcooling Gauge 14

Charging/Testing Methods 16-17

Digital Manifold 18-19

M2 Brass Manifold 20-21

Zeppelin™ Manifolds 22-25

M4 brass manifold 26-27

BALL VALVE MANIFOLD 28

ZEPPELIN™ MANIFOLDS 29-31

Metric Manifolds 32-34

Gauges 35-39

Standard Replacement 2-1/2" 35

3-1/8" AND 4" gauges 36-37

Metric Replacement 38

Gauge Boots AND ACCESSORIES 38-39

Hoses 40-43

Kobra™ High Pressure Hose 40-42

1/4", 3/8", 1/2" heavy duty hose 43

metal hose 43

standard hose 43

Access Valves 44-55

Access Valves 44-49

Core Removers 50

Caps 50

Quick Couplers 52

automotive couplers 53

Ball Refrigeration 54-55

Tools and Accessories 51-62

ROTHENBERGER Tools 56-63

WRENCHES 64

Capillary Tools 65-66

LA-CO Products 67

Brass Fittings 68-71

warranty 73-74

marketing 75

Repair Parts 76-81

Deep Vacuum Pumps 76-78

Manifold Repair Parts 79-81

Index 82-85

Sales Agents 86-87

# PLATINUM

DEEP VACUUM

CHARGING EQUIPMENT

GAUGES

HOSES

ACCESS VALVES

TOOLS & ACCESSORIES

BRASS FITTINGS

REPAIR PARTS

INDEX

VISIT [WWW.JBIND.COM](http://WWW.JBIND.COM) TO LEARN HOW TO ENTER TO WIN A 2011 CHEVY CAMARO

## Pump your Ride



TETHERED SAFETY CAP PREVENTS OIL SPILLS DURING TRANSPORT

24 MONTH WARRANTY

1/2 HP CAPACITOR START MOTOR WITH THERMAL OVERLOAD PROTECTION

1/2" NPT BREAK RESISTANT HANDLE ENCOMPASSES EXHAUST

LIFT RING

LIGHTER WEIGHT FINNED ALUMINUM HOUSING REDUCES HEAT DURING OPERATION

GAS BALLAST INCREASES PUMP DOWN TIME SPEED AND KEEPS OIL CLEANER

STAINLESS STEEL VALVING RESISTS CORROSION FOR LONGER PUMP LIFE

2 STAGE DIRECT DRIVE TO ACHIEVE DEEP 15 MICRON VACUUM

AVAILABLE DOMESTIC 115 VOLT, INTERNATIONAL 230 VOLT, AND DUAL VOLTAGE

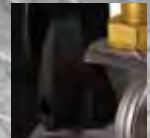
CHECK VALVE PREVENTS OIL BACK FLOW DURING POWER FAILURE

LOW PROFILE ROCKER SWITCH

ALL METAL CONSTRUCTION INCLUDING ALL BRASS FITTINGS

BLANK OFF ISOLATION VALVE ISOLATES THE PUMP FROM THE SYSTEM TO DETERMINE LEAKS IN THE SYSTEM

WELL-PROTECTED DRAIN VALVE SEALED WITH O-RING TO PREVENT LEAKS



15 MICRON RATING

MADE IN USA

## Best Pump in the industry

JB Industries' Platinum® Series Vacuum pump is the best pump in the industry. This pump is designed for the serious air conditioning and refrigeration technician. American made and subjected to JB's rigorous performance standards, the Platinum® Series is the top of the line for both quality and durability. Backed by an unprecedented \*\*24 month over-the-counter warranty, there is no better pump on the market. Because each Platinum® pump is made at our facility in Aurora, Illinois, quality and dependability are woven in with hard working American pride. Completely field repairable, our Platinum® series is designed to last. Turn to page 76 for a complete list of repair parts.

Operating instructions available on our web site at [www.jbind.com](http://www.jbind.com)

\*\*Subject to warranty as set forth on page 73 and warranty and terms and conditions of sales set forth at [www.jbind.com](http://www.jbind.com)

# PLATINUM® SERIES VACUUM PUMPS



UNITED KINGDOM



INTERNATIONAL



Operating Temperature 150°F +/- 18° F (60° C +/- 10°C)

US DOMESTIC  
 DUAL  
 EURO  
 U.K.

US DOMESTIC	DV-42N	DV-85N	DV-142N	DV-200N	DV-285N
<b>CFM</b>	1.5 CFM (42 l/m)	3 CFM (85 l/m)	5 CFM (142 l/m)	7 CFM (200 l/m)	10 CFM (285 l/m)
<b>MOTOR</b>	1/2 HP, 1725 RPM	1/2 HP, 1725 RPM	1/2 HP, 1725 RPM	1/2 HP, 1725 RPM	1/2 HP, 1725 RPM
<b>VOLTAGE</b>	115v, 60Hz	115v, 60Hz	115v, 60Hz	115v, 60Hz	115v, 60Hz
<b>PLUG</b>	Std. U.S. 110v	Std. U.S. 110v	Std. U.S. 110v	Std. U.S. 110v	Std. U.S. 110v
<b>INTAKE PORT</b>	1/4"	1/4" x 3/8"	3/8" x 1/4" x 3/8"	1/2" x 1/4" x 3/8"	1/2" x 1/4" x 3/8"
<b>OIL CAP</b>	27 oz. (798 cc)	27 oz. (798 cc)	23 oz. (680 cc)	23 oz. (680 cc)	24 oz. (709 cc)
<b>SHIP DIMENS.</b>	17-5/8" (h) x 9-1/8" (w) x 14" (l)	17-5/8" (h) x 9-1/8" (w) x 14" (l)	17-5/8" (h) x 9-1/8" (w) x 14" (l)	17-5/8" (h) x 9-1/8" (w) x 14" (l)	17-5/8" (h) x 9-1/8" (w) x 14" (l)
<b>WEIGHT</b>	29 lbs. (13.2 Kg)	30 lbs. (13.6 Kg)	32 lbs. (14.5 Kg)	32 lbs. (14.5 Kg)	34 lbs. (15.4 Kg)

DUAL VOLTAGE	DV-42N-250	DV-85N-250	DV-142N-250	DV-200N-250	DV-285N-250
<b>MOTOR</b>	1/2 HP 1725/1425 RPM	1/2 HP 1725/1425 RPM	1/2 HP 1725/1425 RPM	1/2 HP 1725/1425 RPM	1/2 HP 1725/1425 RPM
<b>VOLTAGE</b>	115v/60Hz, 230v/50Hz	115v/60Hz, 230v/50Hz	115v/60Hz, 230v/50Hz	115v/60Hz, 230v/50Hz	115v/60Hz, 230v/50Hz
<b>PLUG</b>	Std. U.S. 220v	Std. U.S. 220v	Std. U.S. 220v	Std. U.S. 220v	Std. U.S. 220v

EURO	DV-42N-250EU	DV-85N-250EU	DV-142N-250EU	DV-200N-250EU	DV-285N-250EU
<b>MOTOR</b>	1/2 HP, 1425 RPM	1/2 HP, 1425 RPM	1/2 HP, 1425 RPM	1/2 HP, 1425 RPM	1/2 HP, 1425 RPM
<b>VOLTAGE</b>	230v, 50Hz	230v, 50Hz	230v, 50Hz	230v, 50Hz	230v, 50Hz
<b>PLUG</b>	Euro	Euro	Euro	Euro	Euro

UNITED KINGDOM	DV-42N-250UK	DV-85N-250UK	DV-142N-250UK	DV-200N-250UK	DV-285N-250UK
<b>MOTOR</b>	1/2 HP, 1425 RPM	1/2 HP, 1425 RPM	1/2 HP, 1425 RPM	1/2 HP, 1425 RPM	1/2 HP, 1425 RPM
<b>VOLTAGE</b>	230v, 50Hz	230v, 50Hz	230v, 50Hz	230v, 50Hz	230v, 50Hz
<b>PLUG</b>	UK	UK	UK	UK	UK

To check vacuum accurately, use the new DV-40 SUPERNOVA or the DV-22N (see pages 10 & 11).  
 \*One Micron On A U-Tube Manometer. 25,400 Microns = 1"

DEEP VACUUM

CHARGING EQUIPMENT

GAUGES

HOSES

ACCESS VALVES

TOOLS & ACCESSORIES

BRASS FITTINGS

REPAIR PARTS

INDEX

# ELIMINATOR

DEEP VACUUM

CHARGING EQUIPMENT

GAUGES

HOSES

ACCESS VALVES

TOOLS & ACCESSORIES

BRASS FITTINGS

REPAIR PARTS

INDEX

**1/2 HP CAPACITOR START MOTOR  
WITH THERMAL OVERLOAD PROTECTION**

**24 MONTH  
WARRANTY**

**LARGER 1/2" HANDLE NOW/MORE  
ERGONOMIC**

**NEW/HEAVY DUTY PAINT COLOR**

**INCREASED SPACING BETWEEN INTAKE  
TEE AND HANDLE FOR MORE ROOM**

**2 STAGE DIRECT DRIVE TO  
ACHIEVE DEEP 25 MICRON  
VACUUM**

**AVAILABLE DOMESTIC 115  
VOLT, INTERNATIONAL 230  
VOLT, AND DUAL VOLTAGE**

**CHECK VALVE PREVENTS OIL  
BACK FLOW DURING POWER  
FAILURE**

**LOW PROFILE ROCKER SWITCH**

**ALL METAL CONSTRUCTION IN-  
CLUDING ALL BRASS FITTINGS**

**SCRATCH RESISTANT POWDER  
PAINTED COVER AND TRAP**

**TETHERED SAFETY CAP PRE-  
VENTS OIL SPILLS DURING  
TRANSPORT**

**INCREASED OIL CAPACITY FOR COOLER  
RUNNING TEMPERATURE AND REDUCED  
CONTAMINATION**

**LARGE, EASY-TO-SEE  
SIGHT GLASS ENSURES  
PROPER OIL LEVEL**

**25  
MICRON  
RATING**

**OIL FILL IS NOW ISOLATED ON COVER  
FOR EASY FILL**

**OIL EXHAUST FILTER ELIMI-  
NATES MIST FROM EXHAUST.  
SOLD AS AN ACCESSORY ON  
PAGE 9.**

**WELL-PROTECTED DRAIN VALVE  
SEALED WITH O-RING TO PREVENT LEAKS**

**MADE IN USA**

## Best VALUE in the industry

Built for the Air Conditioning Serviceman who wants a high quality, dependable vacuum pump, the Eliminator® Series offers many higher end features without the higher end price. American made, 100% tested to JB's stringent quality standards, backed by an unparalleled \*\*24 month over-the-counter warranty, the Eliminator® is the best value vacuum pump in the industry. This is the only American made economy vacuum pump on the market and because each Eliminator® is made at our factory in Aurora, Illinois American pride is built into each one of these workhorses. Completely field repairable, these pumps are built to withstand the toughest jobs. Please refer to page 78 for a complete list of repair parts.

Operating instructions available on our web site at [www.jbind.com](http://www.jbind.com)

\*\*Subject to warranty as set forth on page 73 and warranty and terms and conditions of sales set forth at [www.jbind.com](http://www.jbind.com)

# ELIMINATOR® SERIES VACUUM PUMPS

## HOW TO CHOOSE THE RIGHT SIZE PUMPS

CFM<sup>2</sup>= maximum tonnage rating. Therefore take the CFM rating of a pump and multiply it by that number to find the maximum number of tons the pump is rated for. Therefore, a 3 CFM pump (3 x 3) is rated for 9 tons. A 7 CFM pump (7 x 7) is rated for 49 tons. In many cases, depending on the system line sizes of large tonnage systems, it is better to put two or more smaller, easily maneuverable pumps at different locations. This will overcome some of the pressure drop problems and actually evacuate faster than a single, large pump. Pumps in the 1.5 to 10 CFM class are adequate to handle 99% of the work.

US DOMESTIC

DUAL

EURO  
U.K.

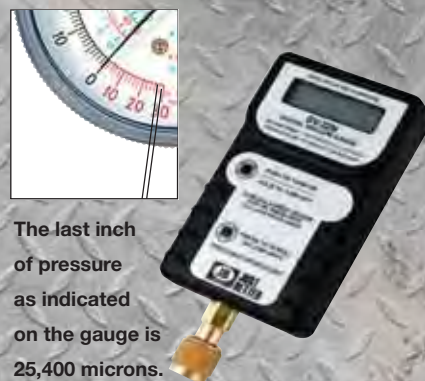
US DOMESTIC	DV-3E	DV-4E	DV-6E
<b>CFM</b>	3 CFM (85 l/m)	4 CFM (113 l/m)	6 CFM (170 l/m)
<b>MOTOR</b>	1/2 HP, 1725 RPM	1/2 HP, 1725 RPM	1/2 HP, 1725 RPM
<b>VOLTAGE</b>	115v, 60Hz	115v, 60Hz	115v, 60Hz
<b>PLUG</b>	Std. U.S. 110v	Std. U.S. 110v	Std. U.S. 110v
<b>INTAKE PORT</b>	1/4" x 3/8"	1/4" x 3/8"	1/4" x 3/8"
<b>OIL CAP</b>	24.5 oz. (724 cc)	22.5 oz. (665 cc)	22.5 oz. (665 cc)
<b>SHIP DIMENS.</b>	17-5/8" (h) x 9-1/8" (w) x 14" (l)	17-5/8" (h) x 9-1/8" (w) x 14" (l)	17-5/8" (h) x 9-1/8" (w) x 14" (l)
<b>WEIGHT</b>	29 lbs. (13.1 Kg)	30 lbs. (13.6 Kg)	30 lbs. (13.6 Kg)

DUAL VOLTAGE	DV-3E-250	DV-4E-250	DV-6E-250
<b>MOTOR</b>	1/2 HP 1725/1425 RPM	1/2 HP, 1725/1425 RPM	1/2 HP 1725/1425 RPM
<b>VOLTAGE</b>	115v/230v 50/60Hz	115v/230v 50/60Hz	115v/230v 50/60Hz
<b>PLUG</b>	Std. U.S. 220v	Std. U.S. 220v	Std. U.S. 220v

EURO	DV-3E-250EU	DV-4E-250EU	DV-6E-250EU
<b>MOTOR</b>	1/2 HP, 1425 RPM	1/2 HP, 1425 RPM	1/2 HP, 1425 RPM
<b>VOLTAGE</b>	230v, 50Hz	230v, 50Hz	230v, 50Hz
<b>PLUG</b>	Euro	Euro	Euro

UNITED KINGDOM	DV-3E-250UK	DV-4E-250UK	DV-6E-250UK
<b>MOTOR</b>	1/2 HP, 1425 RPM	1/2 HP, 1425 RPM	1/2 HP, 1425 RPM
<b>VOLTAGE</b>	230v, 50Hz	230v, 50Hz	230v, 50Hz
<b>PLUG</b>	UK	UK	UK

Operating Temperature 150°F +/- 18° F (60° C +/- 10°C)



The last inch of pressure as indicated on the gauge is 25,400 microns.

### HOW TO MEASURE EVACUATION

A micron is a unit of pressure starting from a perfect vacuum (no pressure) expressed in linear increments. One inch equals 25,400 microns. That last inch of pressure below zero on the low side compound gauge (see illustration) is 25,400 microns. A compound gauge only indicates that a vacuum is being produced, but does not tell you if moisture or contaminants are still in the system. Evacuation is complete when a system holds 500 microns to ensure dehydration is complete. Therefore, there is a small fraction of an inch difference between a complete evacuation and an inadequately evacuated system. A compound gauge cannot measure this pressure at these levels accurately. Only a micron gauge like the new SUPERNOVA DV-40 or our DV-22 (refer to pages 10 and 11) can accurately read the low pressures produced when evacuation / dehydration is complete.

To check vacuum accurately, use the new DV-40 SUPERNOVA or the DV-22N (see pages 10 & 11).  
\*One Micron On A U-Tube Manometer. 25,400 Microns = 1"

DEEP VACUUM

CHARGING EQUIPMENT

GAUGES

HOSES

ACCESS VALVES

TOOLS & ACCESSORIES

BRASS FITTINGS

REPAIR PARTS

INDEX

# DEEP VACUUM PUMP ACCESSORIES

## Best Oil in the industry

Black Gold Vacuum Pump Oil is the Gold Standard in Vacuum pump care. For use in any vacuum pump, Black Gold is extremely pure and non-detergent. Our Black Gold is hydro processed which means it goes through a series of catalytic steps rendering the oil extremely refined, more viscous, and more stable. The result is clear mineral oil which will alert you to contamination sooner as it becomes cloudy or milky. In extreme temperatures, the oil will be more resistant to contaminants. We still recommend, however, that the oil be changed after every evacuation for maximum performance and pump efficiency.

The best test to see if your oil is contaminated is through a micron gauge. With a leak-free system, if your DV-22N micron gauge is still not reading a deep vacuum, the oil is too contaminated and should be changed. If the micron gauge pulls down to about 50 microns the oil is good. Viscosity is a measure of the weight of the oil. For industrial oil, the viscosity is an ISO grading at 40°C. Black Gold vacuum pump oil is an ISO 41, a special to this type of application.



**MSDS INFORMATION FOR OUR BLACK GOLD PUMP OIL CAN BE FOUND UNDER TECHNICAL INFORMATION ON OUR WEB SITE AT [WWW.JBIND.COM](http://WWW.JBIND.COM).**

PART NO.	DESCRIPTION	CTN. QTY.	SHIPPING WEIGHT	CARTON DIMENS.
DVO-1	Pint Bottle	24	25 Lbs /11.4 kg	9" x 14-1/4" x 12-1/2"
DVO-12	Quart Bottle	12	24 Lbs /10.9 kg	11" x 13" x 10"
DVO-24	Gallon Bottle	6	47 Lbs /21.4 kg	12-1/2" x 15-1/2" x 12-1/2"

## FLEXIBLE METAL LINE

Unlike charging hose, our flexible metal lines will not permeate under vacuum. Our metal lines feature finger-tight O-ring coupler ends.

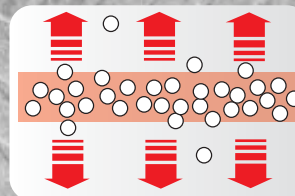
PART NO.	DESCRIPTION
D10436	1/4" x 36" flexible metal line (one 45° fitting)
D10472	1/4" x 72" flexible metal line (one 45° fitting)
D10636	3/8" x 36" flexible metal line (one 45° fitting)
D10660	3/8" x 60" flexible metal line (one 45° fitting)
DV-294	1/4" x 10" flexible metal line (straight fittings)
P90009	1/4" replacement O-ring (10 pack)
P90012	3/8" replacement O-ring (10 pack)



## DIRECTION OF PERMEATION THROUGH HOSE WALL

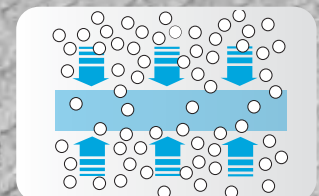
Even with the advanced technology of today's hoses, permeation through the hose compound still exists.

When checking pressure rise, the atmosphere will permeate to the lower pressure in the hoses and the micron reading will slowly rise.



### Charging System

Gas under pressure in the hose will permeate to the lower pressure of the atmosphere.



### Evacuation

The atmosphere which has a higher pressure permeates to the lower pressure in the hose.



# DEEP VACUUM PUMP ACCESSORIES

## SWIVEL COUPLERS

Features an O-ring Seal.



D10244

PART NO.	DESCRIPTION
D10244	1/4" female swivel coupler
D10266	3/8" female swivel coupler
P90009	1/4" replacement O-ring (10 pack)
P90012	3/8" replacement O-ring (10 pack)

## OIL MIST FILTER

Eliminates oil mist from pump handle. DV-F8 fits 1/2" exhaust pipe in 2008 model Platinums and 2011 Eliminators, while DV-F6 fits 3/8" exhaust pipe for all Eliminator series up to 2011 and pre-2008 model Platinums.



DV-F8



PART NO.	DESCRIPTION
DV-F6	Oil Mist Filter 3/8"
DV-F8	Oil Mist Filter 1/2"

## SHUT OFF VALVE

Our O-ring quick coupler valves are great for blanking off any vacuum system and work for pressures up to 800 lbs.



D10162

PART NO.	DESCRIPTION
D10162	1/4" Fe QC x 1/4" flare

## QUICK COUPLERS

Features an O-ring seal and no depressor. Please refer to page 52 for a complete list of elbow, straight, and FTP thread couplers and valves.



QC-E64

PART NO.	DESCRIPTION
QC-E64	3/8" QC x 1/4" SAE elbow
QC-S64	3/8" QC x 1/4" SAE straight
P90009	1/4" replacement O-ring (10 pack)
P90012	3/8" replacement O-ring (10 pack)

## ECONOMY DEEP VACUUM MANIFOLD D10053



Ideal for use in domestic service, the deep vacuum manifold features separate valves for isolating the system from the pump and charging and/or performing pressure drop tests. The manifold can be hooked up for charging, to a micron gauge, and to charging hoses as well as quickly connecting to a pump with a 3/8" intake port. Use P90018 as replacement o-rings.



D10053

## BLANK-OFF MANIFOLD VALVE D10160



D10160

Blank-Off Manifold valves isolate the pump from the system. These are designed and necessary for all pumps without an internal blank-off valve like the Eliminator®. The 3/8" QC connects to the center manifold port, the 3/8" SAE flare port is for the hose connection from the pump, and the 1/4" ports are for the refrigerant line and the micron gauge.

## TETHERED SAFETY CAP

Designed to prevent oil spills during transport. 3/8" fits pre-2008 Platinums and pre-2011 Eliminators.



PART NO.	DESCRIPTION
DV-EP6	Tethered Cap 3/8"
DV-EP8	Tethered Cap 1/2"

# SUPERNOVA

## DV-40 DIGITAL MICRON GAUGE

### INNOVATION AT ITS BEST

JB Industries is proud to introduce our award winning SUPERNOVA gauge. The unit allows a service technician to be certain when a system is properly evacuated of air and moisture before charging with refrigerant. The SUPERNOVA is accurate from 12,000 microns down to 10 microns. The unit features many user-defined programmable options such as duration of the backlight, programmed shut-off, and the ability to set alarms when system reaches defined mark. The service technician can customize the SUPERNOVA to fit work habits. Make service calls more efficient without sacrificing quality. The SUPERNOVA has been named a Bronze winner for the 2009 Dealer Design in tools.



DV-41

**PROGRAMMABLE ALARM**



**12 MONTH WARRANTY**

**BRASS FITTING ON LENGTHY FLEXIBLE CORD FOR HARD TO REACH PLACES**

**PROGRAMMABLE ALARM ALLOWS YOU TO PERFORM OTHER TASKS**

**FACTORY CALIBRATED AND REQUIRES NO ADDITIONAL CALIBRATION**

**MEASURES IN MICRONS, PSIA, INHG, PASCALS, TORR, MTORR, AND MBAR**

**DURATION OF BACKLIGHT IS PROGRAMMABLE**

**OPERATES ON THREE (3) AA BATTERIES (NOT INCLUDED)**

**LARGE, EASY TO READ LCD SCREEN**

**PROGRAMMABLE SHUT-OFF**

**IF SENSOR GETS CONTAMINATED, CLEAN WITH SIMPLE ALCOHOL**

**OPERATES ON 3 AA BATTERIES (NOT INCLUDED)**



PART NO.	DESCRIPTION
DV-40	Hand held digital vacuum gauge
DV-41	DV-40 with protective carrying case and AC adapter
DV-40C	Protective carrying case and adapter only
DV-40AC	A/C Adapter (NOT A BATTERY CHARGER)
DV-40HK	Replacement Hanging Hook
A34000D	1/4" QC x 1/4" Access tee (with depressor)
P90009	Replacement o-ring (10 pack)

\*The DV-40 is not recommended for connection to vacuum pump when blanking off isolation valve. The preferred hook-up uses the DV-29 when the blank-off valve is engaged as illustrated on pages 16-17.

DEEP VACUUM

CHARGING EQUIPMENT

GAUGES

HOSES

ACCESS VALVES

TOOLS & ACCESSORIES

BRASS FITTINGS

REPAIR PARTS

INDEX

# DIGITAL MICRON GAUGES

## DV-22N DIGITAL GAUGE

JB's DV-22 reads vacuum in 7 international units: Microns, PSIA, InHg, mBars, Pascals, Torr, and mTorr. The DV-22 has a micron range of 20 to 9,000 microns. It is a good idea to attach the micron gauge to the vacuum pump before evacuation to make sure the pump pulls down to at least 50 microns. If it doesn't, your pump oil is contaminated and should be changed. A compound gauge only indicates that a vacuum is being produced, but does not tell you if moisture and acids are still present in the system. Micron gauges are the only tool to accurately read the low pressure produced when evacuation/ dehydration is complete. Refer to page 7 under "How to Measure Evacuation" for more information.

RETRACTABLE HANGING HOOK

DIGITAL DISPLAY WITH SOLID STATE CIRCUITRY AUTOMATICALLY ADJUSTS FOR FLUCTUATING TEMPERATURE

SEALED TOUCH BUTTONS PROTECT AGAINST DIRT AND DUST

12 MONTH WARRANTY

MADE IN USA



EFFECTIVE RANGE 20-9000 MICRONS

LOW BATTERY INDICATOR ALERTS TO REPLACING 9-VOLT BATTERY (NOT INCLUDED)

SAVES LAST VACUUM READOUT AFTER SHUT-DOWN

LEAK-PROOF WITH O-RING COUPLER TO ENSURE PROPER REGISTER OF VACUUM

POWERS OFF AFTER 10 MINUTES OF NO USE TO PRESERVE BATTERY LIFE

+32°F TO 120°F +0°C TO 48.9°C AMBIENT TEMPERATURE

NIST TRACEABLE



T2-4 FLARE TEE USED TO ATTACH HOSES TO GAUGE. SOLD AS AN ACCESSORY.

### PART NO.

### DESCRIPTION

DV-22N	Hand held digital vacuum gauge
DV-24N	DV-22N with protective carrying case
DV-26N	Protective carrying case only
DV-18	A/C Adapter
P90009	1/4" replacement O-ring (10 pack)
A34000D	1/4" QC x 1/4" Access tee (w/ depressor)
T2-4	1/4" SAE flare tee

\*The DV-22N is not recommended for connection to vacuum pump when blanking off isolation valve.

The preferred hook-up uses the DV-29 when the blank-off valve is engaged as illustrated on pages 16-17.

# LEAK DETECTOR

# PROWLER

JB Industries is proud to unveil the new, revolutionary LD 5000 PROWLER refrigerant gas leak detector. Using our new proprietary JBI Electrochemical sensor technology for unparalleled accuracy coupled with the unique user features; there simply is no better hand held probe type service leak detector system on the market. The sensor is durable and will not be damaged by overexposure to refrigerant gas or contaminated by condensate water. Its new slim-line design makes it easy to probe difficult to search areas. The sensitivity is extremely accurate for all HFC, HCFC and blended refrigerants as well as the new HFO refrigerants. The technology provides for low battery consumption, excellent circuit stability, extremely long sensor life, and the electrochemical function of the sensor does not diminish over time with use. The sensor life has been tested to be greater than ten years, which is unique in the industry and it is safe to use in a combustible atmosphere. The PROWLER features a large LCD screen that flips upward so that the user can adjust the screen position for better visibility. The bar graph shows the intensity of a leak to help pinpoint the source of the leak. The sensitivity can be programmed from high to medium to low. If a leak is detected, there is an audible alarm that will sound, vibration in handle, and bar graph on the screen. The LCD display also indicates the amount of remaining battery life. The PROWLER does not require rechargeable batteries. Operates on 4 AA batteries (included).

## CERTIFICATIONS:

CE  
SAE J2791  
EN 14624  
SENSITIVITY TO R-1234yf\*

## HIGHLY SENSITIVE AND ACCURATE FOR ALL HFC, HCFC, BLENDS, AND HFO REFRIGERANTS INCLUDING:

<b>R-410A</b>	0.05 oz/yr	<b>R-404A</b>	0.05 oz/yr	<b>R-22</b>	0.025 oz/yr
<b>R-407A</b>	0.05 oz/yr	<b>R-427A</b>	0.05 oz/yr	<b>R-134a</b>	0.05 oz/yr
				<b>R-1234yf</b>	0.0125 oz/yr

## ELECTROCHEMICAL SENSOR

GREATER THAN 10 YEAR SENSOR LIFE



17" FLEXIBLE PROBE

OPERATES ON 4 AA BATTERIES FOR 10 CONTINUOUS HOURS

WARM UP TIME < 30 SECONDS

RESPONSE TIME IS IMMEDIATE

AUTOMATIC ZERO

LEAK INDICATION THROUGH VIBRATING HANDLE, AUDIO ALARM, AND BAR GRAPH ON LCD SCREEN

INSTRUMENT WILL REMAIN IN WARM UP MODE IF SENSOR FAILS



SENSITIVITY CAN BE SET TO HIGH, MEDIUM, AND LOW

**24 MONTH WARRANTY**

PART NO.	DESCRIPTION
LD-5000	Prowler Leak Detector in Case
LD-S100	Replacement sensor

\* R-1234yf is a replacement for all HFC (134a) and HCFC (R22) refrigerants that are currently being phased out. It is an A2L flammable refrigerant as defined by ASHRAE 34.

# ATLAS REFRIGERANT CHARGING SCALE

## ATLAS Refrigerant Charging Scale

The JB ATLAS refrigerant charging scale is designed for the HVAC/R industry. Every day users will appreciate the advanced solid state load cell for superior sensitivity (0.25 oz/ 10 gm) and accuracy. The ATLAS's 220 pound (100 kg) weight capacity, all metal construction, heavy duty plastic storage case, and easy to read hand held combine to make the ATLAS the best overall package in the industry. Pound for Price our 220 pound scale competes at a 110 pound price. Operates with a 9 volt battery (included).

### 220 LB (100 KG) CAPACITY

PIECES ARE MODULARIZED SO PARTS ARE EASILY REPLACED WITHOUT NEED TO PURCHASE ENTIRELY NEW UNIT

DISPLAYS WEIGHT IN DECIMAL POUNDS, POUNDS & OUNCES, AND KILOGRAMS

AUTO SHUT OFF AFTER 30 MINUTES TO PRESERVE BATTERY AND CAN BE DISABLED



SOLID STATE LOAD CELL ACCURATE TO 0.25OZ/ 10 GM WITHOUT NEED OF CYLINDER DIRECTLY ON CENTER OF WEIGHING PLATFORM

HANDHELD HAS A LARGE LCD SCREEN THAT CAN BE READ FROM A DISTANCE OR IN DIRECT SUNLIGHT

DS-20000

**24 MONTH WARRANTY**



## Technical Information

Usage	Indoor/Outdoor Not waterproof
Operating Temp.	+32°F to 122°F (0°C to +50°C)
Storage Temp.	+14°F to 140°F (-10°C to +60°C)
Humidity	85% RH @113°F (45°C), Non Condensing
Altitude	6500 feet (2000 meters)
Battery Life	Approximately 60 hours
Pollution Degree	2
Over Voltage Category	2



OPTIONAL CHARGING MODULE (DS-MOD) TURNS THE ATLAS INTO A CHARGING STATION WITHOUT THE CYLINDER EVER LEAVING THE WEIGHING PLATFORM. TRANSFERS UP TO 999 POUNDS IN CHARGING INCREMENTS OF 0.25 OZ (10GM). CONNECTION IS A 1/4" FLARE.



PART NO.	DESCRIPTION
DS-20000	220 lb weight capacity ATLAS scale
DS-MOD	Charging Module
DSR-10	Replacement communication cable
DSR-20	Replacement handheld remote
DSR-30	Replacement weighing platform

DEEP VACUUM  
CHARGING EQUIPMENT  
GAUGES  
HOSES  
ACCESS VALVES  
TOOLS & ACCESSORIES  
BRASS FITTINGS  
REPAIR PARTS  
INDEX

# SUPERHEAT SUBCOOLING GAUGES

## SH-35N SUPERHEAT SUBCOOLING GAUGE

Our Superheat and Subcooling Gauge saves high, low, and average values for detailed analysis. The SH-35N's gauges feature a built-in R-22 table, or use the plug-in refrigerant pressure-temperature memory key. Included with gauge is a multi key, an A34000 access tee, a 6' (1.8m) dry/wet bulb temperature sensor, and 5 socks in a convenient carrying case.

**DIGITAL DISPLAY WITH SOLID STATE CIRCUITRY/AUTOMATICALLY ADJUSTS FOR FLUCTUATING TEMPERATURE**

**R-22 BUILT IN AND MULTI-REFRIGERANT KEY IS INCLUDED, SEE CHART FOR LIST OF ALL REFRIGERANTS**

**1 AND 24-HOUR MEMORY**

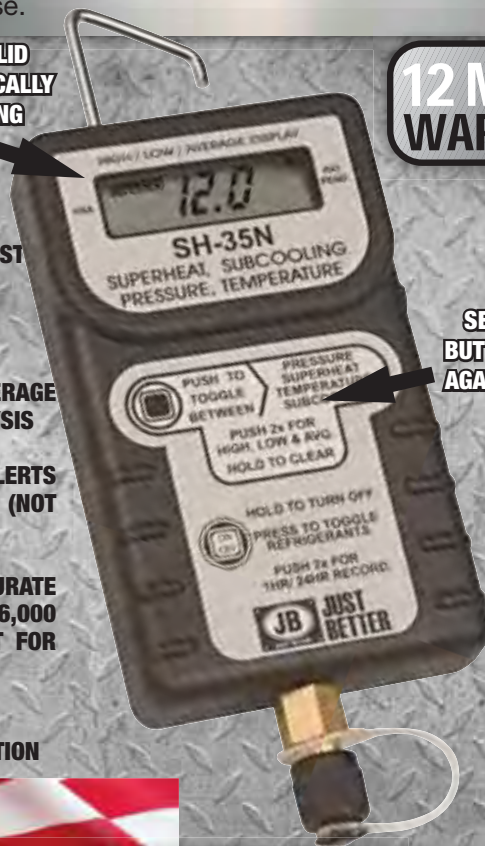
**SAVES HIGH, LOW, AND AVERAGE VALUES FOR DETAILED ANALYSIS**

**LOW BATTERY INDICATOR ALERTS REPLACING 9-VOLT BATTERY (NOT INCLUDED)**

**PULSATION PROOF AND ACCURATE TO ANY ELEVATION UP TO 16,000 FEET WITHOUT ADJUSTMENT FOR USE IN MOST GEOGRAPHICAL APPLICATIONS**

**SIMPLE TWO-BUTTON OPERATION**

**MADE IN USA**



**12 MONTH WARRANTY**

**SEALED TOUGH BUTTONS PROTECT AGAINST DIRT AND DUST**

### MULTI REFRIGERANT KEY LISTING

R12	R403B	R410A	R422C
R22*	R404A	R411C	R422D
R134a	R406A	R413A	R427A
R290	R407A	R414B	R428A
R401A	R407B	R416A	R438A
R401B	R407C	R417A	R502
R402A	R408A	R422A	R507
R402B	R409A	R422B	R508B

### SH-35 and SH-36 Refrigerant Keys

For prior SH-35 and SH-36 models without the multi key, refrigerant keys are available.

### PART NO. °F PART NO. °C

R-12	SK-40012	SK-50012
R-134A	SK-40134A	SK-50134A
R-404A	SK-40404A	SK-50404A
R-410A	SK-40410A	SK-50410A
R-502	SK-40502	SK-50502
R-507	SK-40507	SK-50507

### PART NO.

### DESCRIPTION

SH-35N	Superheat/Subcooling gauge (F°) in case
SH-36N	Superheat/Subcooling gauge (C°) in case
SK-35N	Key with 32 refrigerants (2007 model) (F°)
SK-36N	Key with 32 refrigerants (2007 model) (C°)
A34000	1/4" QC x 1/4" access tee
SH-54	6' (1.8m) temperature sensor
SH-58	Temperature clamp
SH-55	Plastic carrying case
SH-56	Socks (5 pack)
SH-51	28' (8.5m) temperature sensor extension
A31992	Replacement plastic 1/4" SAE cap
DV-18	AC Adapter

R22 is built in to the SH-35N

Refrigerant data source from NIST REFRPRO software and manufacturers data.

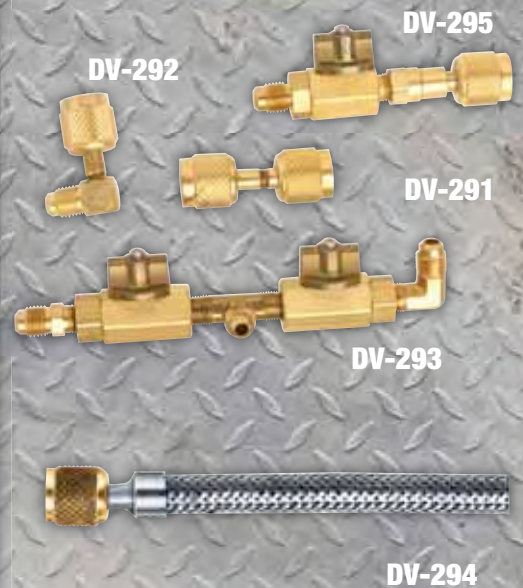
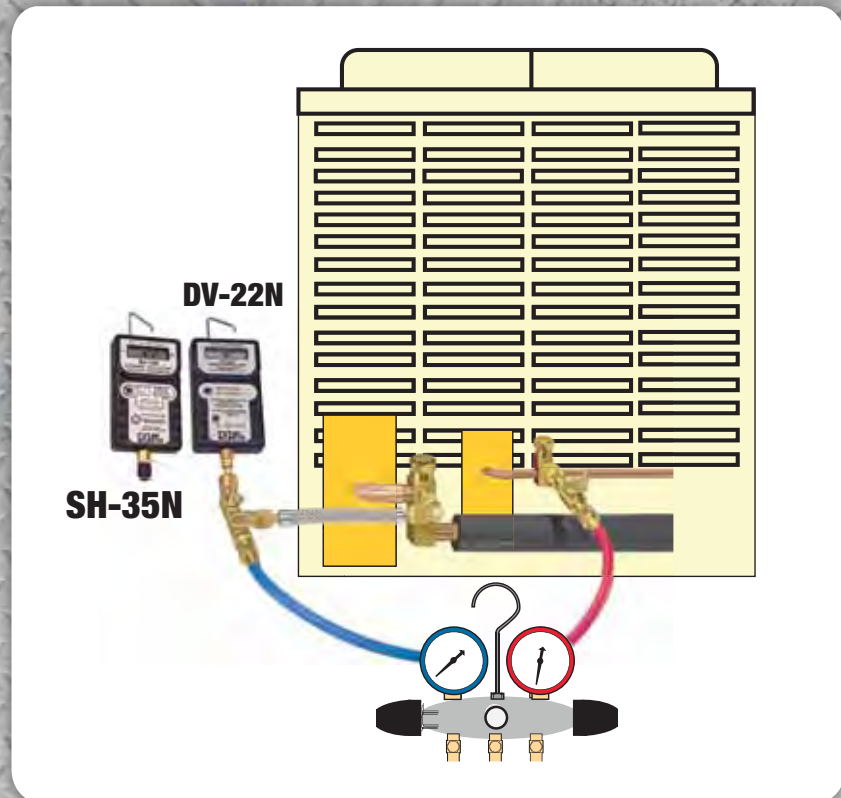
## Technical Information

	STANDARD	METRIC
Pressure Disp. Range	29 InHg to 600 psig	(-98 kPa to 4134 kPa)
Temp Display Range	-40° F to 200° F	-40° C to 93° C
Operating Temp	32° F to 176° F	0° C to 80° C
Max. Overpressure	800 psig	5512 kPa

# SUPERHEAT SUBCOOLING GAUGES

## DV-29 Micron and Superheat Gauge Hookup Test Unit

Used in conjunction with our micron gauges DV-40 or DV-22N and our superheat/ subcool gauge the SH-35N, the DV-29 ensures a leak proof setup. JB's DV-29 works with all micron gauges and creates a closed system, eliminating any leakage under deep vacuum. The DV-29 eliminates other problems when attaching the micron gauge into the system. If the micron gauge is attached directly to the vacuum pump or with a 3' (91.4 cm) dedicated hose, you will get a lower reading as the gauge is sensing what the pump is doing and not what the pump is doing to the system.



USED IN CONJUNCTION WITH OUR DV-22N AND SH-35N, THE DV-29 ENSURES A LEAK PROOF SETUP THE DV-29 CONSISTS OF ONE EACH OF THE FOLLOWING:

- 10" (25.4 CM) METAL HOSE WITH O-RING QUICK COUPLERS (DV-294)
- 90° MALE FLARE WITH 1/4" O-RING QUICK COUPLER (DV-292)
- BALL VALVE WITH O-RING QUICK COUPLER WITH DEPRESSOR (DV-295)
- VALVE ASSEMBLY WITH 1/4" MALE FLARE CONNECTIONS (DV-293)

### PART NO. DESCRIPTION

DV-29	Entire hook up system
DV-291	Replacement 1/4" SAE swivel coupler
DV-294	Replacement 10" (25.4 cm) metal hose with O-ring
DV-295	Replacement Ball Valve with O-ring QC and depressor
DV-292	Replacement 90° male flare with 1/4" O-ring QC
DV-293	Replacement valve assembly 1/4" MFL connector
P90009	Replacement O-ring (10 pack)

# CHARGING AND TESTING METHODS

DEEP VACUUM

CHARGING EQUIPMENT

GAUGES

HOSES

ACCESS VALVES

TOOLS & ACCESSORIES

BRASS FITTINGS

REPAIR PARTS

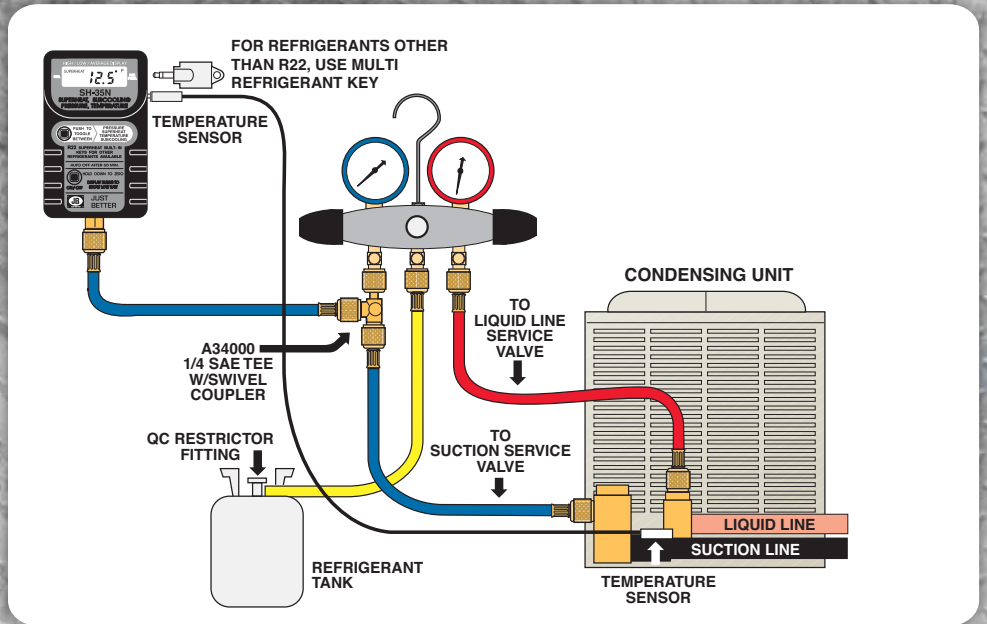
INDEX

## CHARGING METHODS

### Charging by superheat method

RESIDENTIAL A/C OR REFRIGERATION SYSTEMS EQUIPPED WITH TXV AND RECEIVER, CAPILLARY TUBE, OR METERING DEVICE

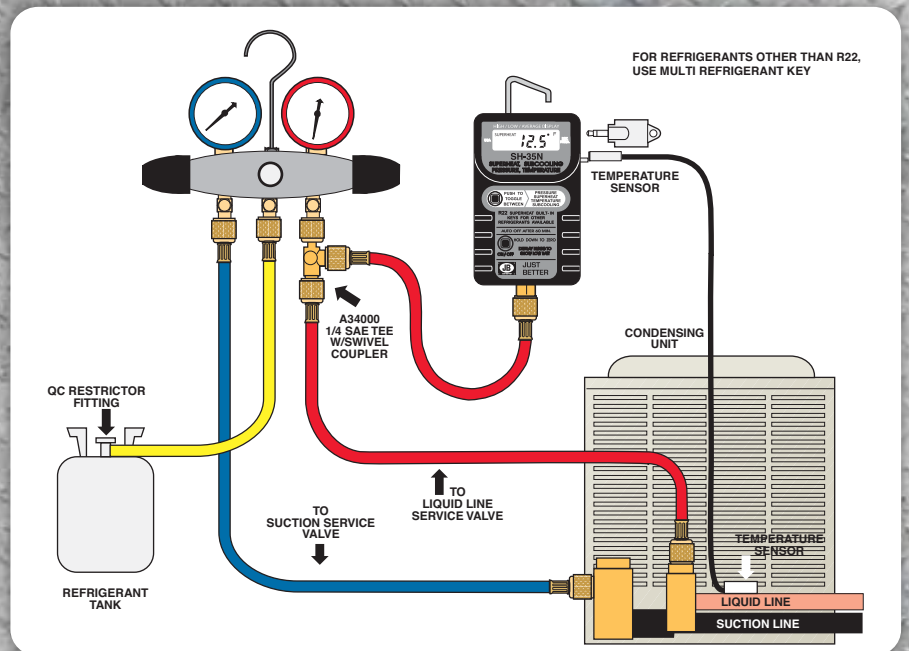
CONTACT MANUFACTURER OR WHOLESALER FOR SUPERHEAT NUMBER.



### Charging by subcooling method

CONTACT MANUFACTURER OR WHOLESALER FOR SUBCOOLING NUMBER.

Average subcooling value is 10°–12°F.

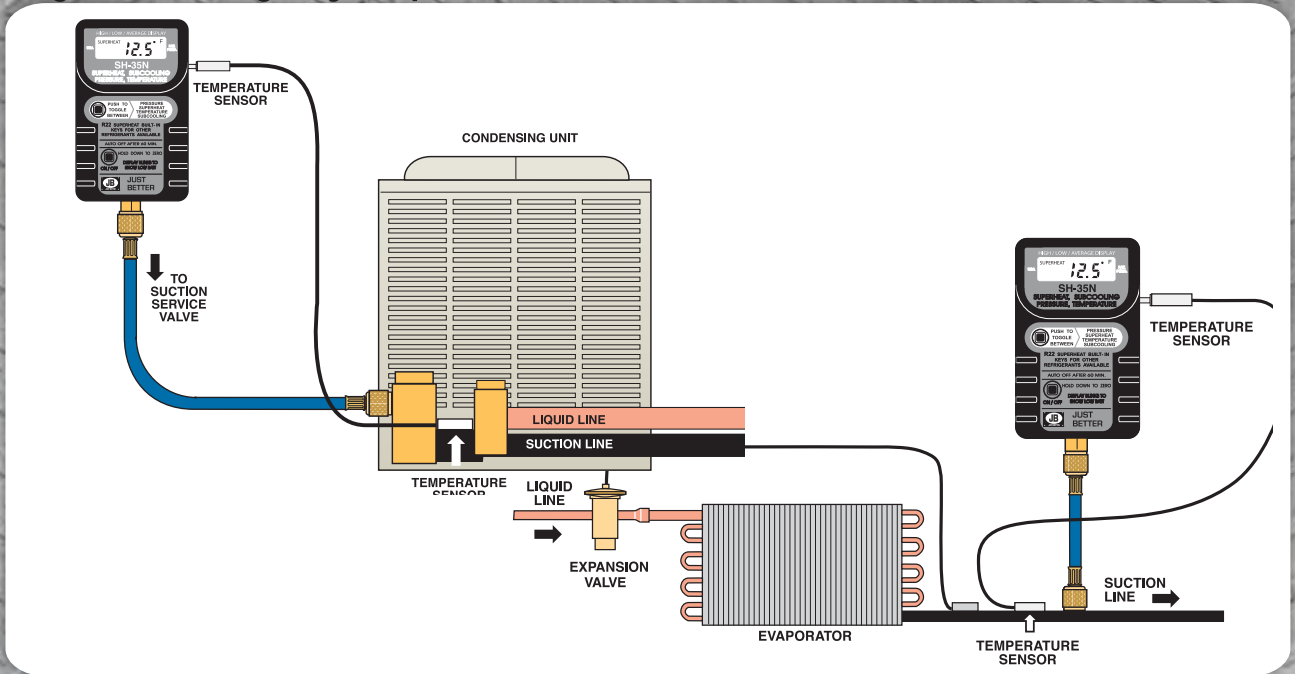


\*For refrigerants other than R22, use multi refrigerant key  
Operating instructions available under Technical Information at [www.jbind.com](http://www.jbind.com)

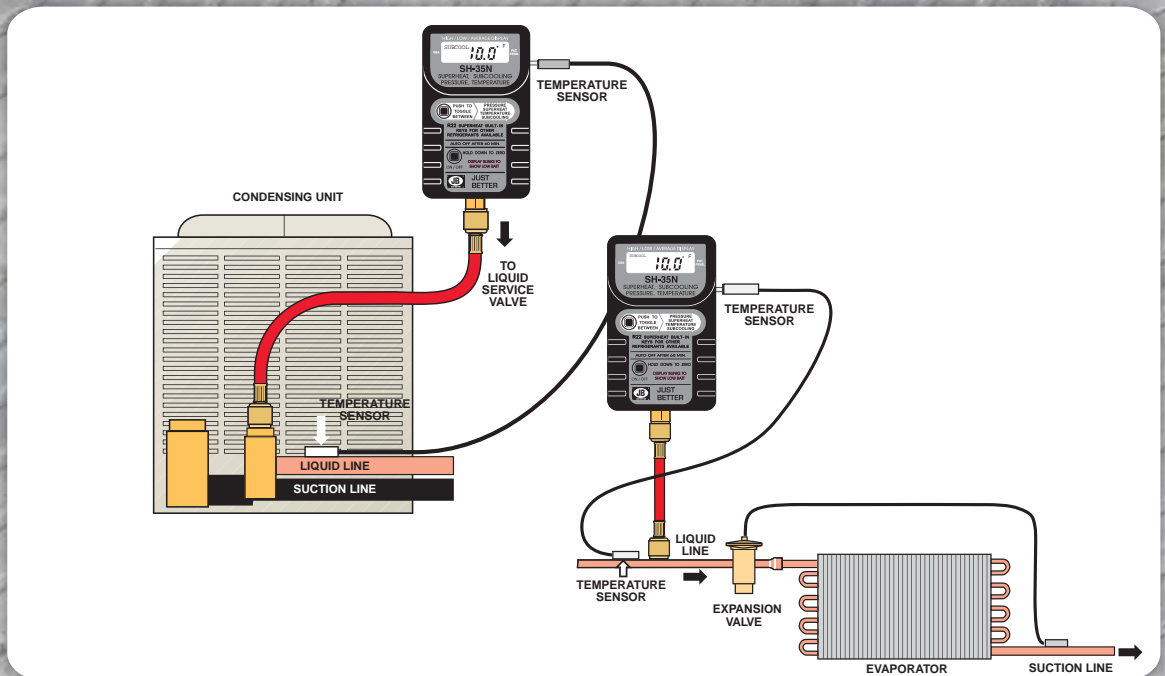


## TESTING METHODS

### Testing for charge by superheat



### Testing for charge by subcooling



# DIGITAL MANIFOLD

## Most Intelligent Manifold on the Market

The Award winning DM-2 is the most intelligent manifold on the market. Combining a superheat/subcooling gauge with a charging and testing manifold and temperature gauge, the DM-2 is a must for the serious service technician. Calibration, calculation, and conversion are automatic, thereby eliminating errors and ensuring that you charge correctly. The built-in capabilities of this unit make it low maintenance, accurate, and quick. Many functions are instant and continue to analyze and record up to 24 hours. This year, we are proud to introduce the four valve version of our digital manifold. This product is so revolutionary and vital for the job, that it has won the Dealer Design Awards TWICE. Our two valve won the gold medal in 2006, and our four valve version won the bronze medal for 2008.

HEAVY-DUTY RUBBER BOOT

12 MONTH WARRANTY

EASY-TO-USE DISPLAY  
RENDERS INSTRUCTION  
BOOKLET OBSOLETE

HEAVY-DUTY ANODIZED  
ALUMINUM BODY



COMBINES SUPERHEAT AND  
SUBCOOLING GAUGE WITH  
STANDARD MANIFOLD CAPA-  
BILITIES

32 REFRIGERANTS BUILT IN.  
PLEASE SEE CHART ON NEXT  
PAGE FOR REFRIGERANTS

ADVANCED SOFTWARE AL-  
LWS FOR QUICK CONVER-  
SIONS FROM °F TO °C AND PSI  
TO KPA

AUTO CALIBRATES TO ZERO  
FOR THE ELEVATION EACH  
TIME TURNED ON WITHOUT  
PRESSURE

SHOWS LOW SIDE AND HIGH  
SIDE PRESSURES IN SEPA-  
RATE DISPLAYS

SUPERHEAT AND SUBCOOL-  
ING TEMPERATURES SHOWN  
SIMULTANEOUSLY

OPERATES ON 9-VOLT BAT-  
TERY

PROVIDES MIN., MAX., AND  
AVG. VALUE FOR ANY DISPLAY

MADE IN USA

JB'S FAMOUS FULL FLOW DESIGN  
FOR FASTER EVACUATION. REFER  
TO PAGE 20 FOR A DESCRIPTION OF  
HOW OUR FULL FLOW WORKS

NOT INTENDED TO HANG ON BACK OF  
TRUCK



ONE TEMPERATURE SENSOR AND ONE CLAMP TO MEASURE  
TEMPERATURE DROP ACROSS A COOLING COIL

2006  
DEALER DESIGN  
AWARDS  
the NEWS | GOLD

# DIGITAL MANIFOLD

## Technical Information



### STANDARD METRIC

Pressure Disp. Range	0 to 600 psig	(0 to 4134 kPa)
Temp Display Range	-40° F to 200° F	-40° C to 93° C
Operating Temp	32° F to 176° F	0° C to 80° C
Max. Overpressure	800 psig	5512 kPa
	R-410A rated	

**PRESSURE RANGE +/- 1 PSI TO 200 PSI (+/- 1.5° C)**  
**TEMPERATURE RANGE +/- 1°F (+/- 10°C)**

### BUILT-IN REFRIGERANTS FOR THE DIGITAL MANIFOLD:

R12	R403B	R410A	R422C
R22	R404A	R411C	R422D
R134a	R406A	R413A	R427A
R290	R407A	R414B	R428A
R401A	R407B	R416A	R438A
R401B	R407C	R417A	R502
R402A	R408A	R422A	R507
R402B	R409A	R422B	R508B



THE DIGITAL MANIFOLD WON THE PRODUCT DESIGN GOLD AWARD FOR 2006 (TWO VALVE VERSION) AND THE BRONZE AWARD FOR 2008 (FOUR VALVE VERSION) IN THE ACHR DEALER DESIGN AWARDS FOR THE TOOLS CATEGORY

### PART NO. DESCRIPTION

DM2-8	2-valve digital manifold (no hoses), temperature sensor and case
DM2-5	2-valve digital manifold, set 60" (152 cm) Kobra® CCLE hoses, temperature sensor, and case
DM2-3	2-valve digital manifold, set 60" (152 cm) Kobra® CCLE hoses, temperature clamp, sensor, and case
DM4-3	4-valve digital manifold, set 60" (152 cm) Kobra® CCLE hoses, temperature clamp, sensor, and case
DM2-103	Case only (fits both 2 and 4 valve versions)
SH-51	28' (8.5 m) temperature sensor extension
SH-60	6' (1.8 m) temperature sensor with right elbow
SH-59	Temperature clamp
SH-56	Socks (5 pack)
DMB	Protective rubber boot (retrofits all DM2 models)
A34000	1/4" QC x 1/4" access branch tee



# STANDARD BRASS 2-VALVE MANIFOLD

## The Industry Standard

An industry standard for countless years, the JB M2 series of manifolds features our full flow design for faster evacuation/ charging. Coupled with an angled bar for better knuckle clearance in rotating the hand wheels and the original free floating dual O-ring sealing system, the M2 is the classic American made manifold. All of JB's brass manifolds are equipped with heavy-duty metal gauge cases for added durability.

**SURGE DAMPENED GAUGES FOR REDUCED NEEDLE MOVEMENT**

**ORIGINAL FREE FLOATING DUAL O-RING SEALING SYSTEM FOR FASTER EVACUATION/CHARGING. SEE BELOW FOR DESCRIPTION**

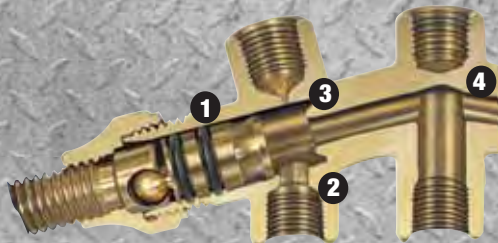
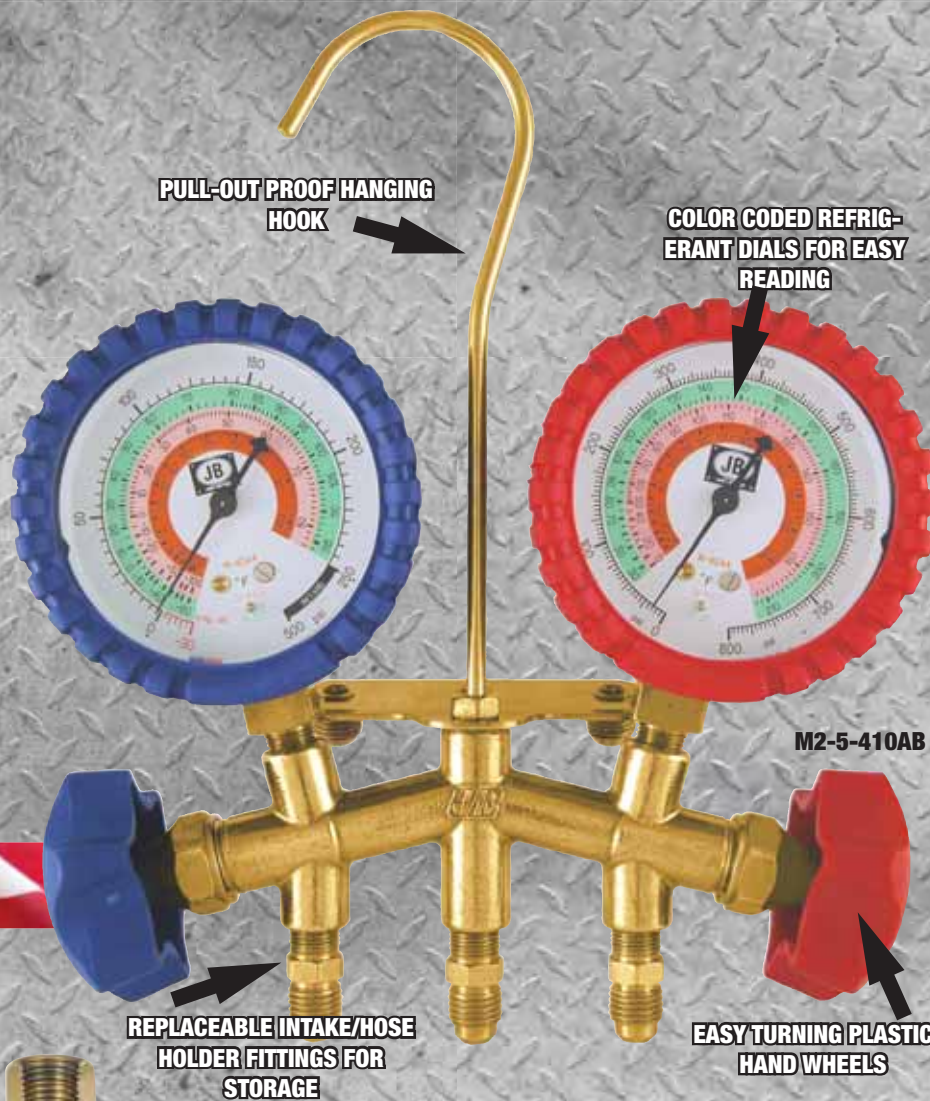
**AVAILABLE FOR USE WITH R410A**

**AVAILABLE WITH 2-1/2" AND 3-1/8" SIZE GAUGES WITH AND WITHOUT BOOTS**

### METRIC INFORMATION

**OFFERED WITH 63.5 MM (2-1/2") METRIC GAUGES READING BAR/PSI, KPA/PSI, AND KG/CM<sup>2</sup>. FOR INFORMATION ON METRIC VERSIONS, PLEASE REFER TO PAGE 32.**

**MADE IN USA**



**ORIGINAL FREE FLOATING DUAL O-RING SEALING SYSTEM**

- 1. DOUBLE O-RING**
- 2. STEM SEATS RETRACT COMPLETELY FROM FULL FLOW PATH**
- 3. ZERO LEAKAGE HIGH PRESSURE RAISED SEAT FOR POSITIVE SEATING**
- 4. DOUBLE SIZE FLOW PATH THROUGHOUT LENGTH OF CENTER PORT**

GAUGE FEATURES AND REPLACEMENTS ARE DETAILED ON PAGE 35.

METRIC REPLACEMENT GAUGE VERSIONS ARE DETAILED ON PAGE 38.

KOBRA HOSES ARE DETAILED BEGINNING ON PAGE 40.

REFER TO "MANIFOLD REPAIR PARTS" BEGINNING ON PAGE 80 FOR ALL JB MANIFOLD REPAIR PARTS

# STANDARD BRASS 2-VALVE MANIFOLD

## TO FIND THE RIGHT MANIFOLD

1. CHOOSE THE DESIRED REFRIGERANT COMBINATION
2. SELECT THE HOSE SET THAT SUITS YOUR NEEDS
3. MOVE ACROSS THE CHART TO FIND THE GAUGES AND YOUR MODEL NUMBER

R-12  
R-22  
R-502

Includes (3) 60" hoses unless otherwise noted	Standard 2-1/2" gauges	2-1/2" gauges with boots	Glow-in-the-dark 3-1/8" gauges	3-1/8" gauges with 1% accuracy
NO HOSE SET	M2-8	M2-8B	-----	-----
CL (36" RB, 60" Y)	M2-6	M2-6B	-----	-----
CCL 60" STANDARD	M2-5	M2-5B	-----	-----
CCL 36" STANDARD	M2-36	M2-36B	-----	-----

R-22  
R-134a  
R-404A

NO HOSE SET	M2-21125	M2-21125B	M2-22125	M2-23125
CCLE 60" KOBRA® HOSE	M2-21131	M2-21131B	M2-22131	M2-23131

R-22  
R-404A  
R-410A

NO HOSE SET	M2-8-410A	M2-8-410AB	M2-22225	M2-23225
CCLE 60" KOBRA® HOSE	M2-5-410A	M2-5-410AB	M2-22231	M2-23231

R-410A

NO HOSE SET	M2-21525	M2-21525B	M2-22525	-----
CCLE 60" KOBRA® HOSE	M2-21531	M2-21531B	M2-22531	-----

R-427A  
R-422b  
R-407A

NO HOSE SET	-----	-----	M2-22325	-----
-------------	-------	-------	----------	-------

R-22  
R-410A  
R-407C

NO HOSE SET	-----	-----	M2-22425	-----
-------------	-------	-------	----------	-------

GAUGE BOOTS FOR THE 2-1/2" AND 3-1/8" ARE DETAILED ON PAGE 38.  
IF YOU DO NOT SEE A REFRIGERANT COMBINATION, PLEASE CONTACT US AT 800-323-0811.

# 1/4" PREMIUM BRASS 2-VALVE ZEPPELIN®

# ZEPPELIN

## 2-VALVE PREMIUM BRASS MANIFOLD

**SURGE DAMPENED GAUGES FOR REDUCED NEEDLE MOVEMENT**

**ORIGINAL FREE FLOATING DUAL O-RING SEALING SYSTEM FOR FASTER EVACUATION/CHARGING. SEE PAGE 20 FOR DESCRIPTION**

**AVAILABLE FOR USE WITH R410A**

**AVAILABLE WITH 2-1/2" AND 3-1/8" SIZE GAUGES**

**ALL MODELS AVAILABLE WITH AND WITHOUT SIGHT GLASS**

**COLOR CODED REFRIGERANT DIALS FOR EASY READING**

**PULL-OUT PROOF HANGING HOOK**

23225

**HEAVY-DUTY FORGED BRASS BODY IS RUGGED AND DURABLE**

**SOFT GRIP RUBBER HAND WHEELS REDUCE TURNING TO OPEN/CLOSE**

**REPLACEABLE INTAKE/HOSE HOLDER FITTINGS FOR STORAGE (ON BACK)**

**MADE IN USA**



## 2-Valve Premium Brass Manifold

The American made Zeppelin® series of manifolds are available in brass and aluminum. This series features durable molded "Soft Grip" rubber handles that eases opening and closing while the improved stem design means "Full Open" in only 2½ turns. Featured here, the brass Zeppelin® series, available only in 2-valve, also incorporates cutting edge styling and technology to significantly reduce the weight of the manifold.

In addition to the new look, JB also offers an increased selection of gauges in metal cases and refrigerant combinations. Standard 2-1/2", large glow-in-the-dark 3-1/8", and liquid-filled 3-1/8" gauges can be coupled with different refrigerant combinations and JB's multiple hose options to serve any application. All manifolds include a 60" (152.3 cm) hose set unless noted otherwise.

GAUGE FEATURES AND REPLACEMENTS ARE DETAILED ON PAGE 35.

# 1/4" PREMIUM BRASS 2-VALVE ZEPPELIN®

## TO FIND THE RIGHT MANIFOLD

1. CHOOSE THE DESIRED REFRIGERANT COMBINATION
2. SELECT THE HOSE SET THAT SUITS YOUR NEEDS
3. MOVE ACROSS THE CHART TO FIND THE GAUGES AND YOUR MODEL NUMBER

R-12  
R-22  
R-502

(Replaces M8 series)

Includes (3) 60" hoses unless otherwise noted	Standard 2-1/2" gauges	3-1/8" Liquid filled gauges	Glow-in-the-dark 3-1/8" gauges
NO HOSE SET	23000	23050	23025
1/4" CCL STANDARD HOSE SET	23004	-----	23029
1/4" CCLE KOBRA® HOSE SET	23006	23056	23031*
1/4" CCLBV KOBRA® HOSE W/ BALL VALVE	23013	23063	23038
1/4" CCLS KOBRA® HOSE W/ SECURE SEAL	23017	23067	23042

\*23031 available with sight glass, order 23033

R-22  
R-134a  
R-404A

NO HOSE SET	23100	23150	23125
1/4" CCLE KOBRA® HOSE SET	23106	23156	23131*
1/4" CCLBV KOBRA® HOSE W/ BALL VALVE	23113	23163	23138
1/4" CCLS KOBRA® HOSE W/ SECURE SEAL	23117	23167	23142

\*23131 available with sight glass, order 23133

R-22  
R-404A  
R-410A

NO HOSE SET	23200	23250	23225
1/4" CCLE KOBRA® HOSE SET	23206	23256	23231*
1/4" CCLBV KOBRA® HOSE W/ BALL VALVE	23213	23263	23238
1/4" CCLS KOBRA® HOSE W/ SECURE SEAL	-----	23267	-----

\*23231 available with sight glass, order 23233

R-134a  
R-404A  
R-507

(Replaces M5 series)

NO HOSE SET	23300	-----	23325
1/4" CCLE KOBRA® HOSE SET	23306	-----	23331
1/4" CCLBV KOBRA® HOSE W/ BALL VALVE	23313	-----	23338
1/4" CCLS KOBRA® HOSE W/ SECURE SEAL	23317	-----	23342

R-410A

(Replaces M7 series)

NO HOSE SET	23500	-----	23525
1/4" & 5/16" CCLE KOBRA® HOSE SET	23510	-----	23535
1/4" CCLE KOBRA® HOSE SET	23506	-----	23531*
1/4" CCLBV KOBRA® HOSE W/ BALL VALVE	23513	-----	23538*
1/4" CCLV KOBRA® HOSE W/ WHIP END	23521	-----	23546

\*23531 available with sight glass, order 23533  
\*23238 available with sight glass, order 23540

GAUGES DO NOT ILLUMINATE.

# 1/4" ALUMINUM 2-VALVE ZEPPELIN®

# ZEPPELIN

## 2-VALVE ALUMINUM MANIFOLD

### 2-Valve ALUMINUM Manifold

The American made Zeppelin® series of manifolds are available in brass and aluminum. This series features durable molded "Soft Grip" rubber handles that eases opening and closing while the improved stem design means "Full Open" in only 2½ turns. Featured here, the aluminum Zeppelin® series, available in 2-valve and 4-valve, also incorporates cutting edge styling and technology to significantly reduce the weight of the manifold.

In addition to the new look, JB also offers an increased selection of gauges in metal cases and refrigerant combinations. Standard 2-1/2", large glow-in-the-dark 3-1/8", and liquid-filled 3-1/8" gauges can be coupled with different refrigerant combinations and JB's multiple hose options to serve any application. All manifolds include a 60" (152.3 cm) hose set unless noted otherwise.

**SURGE DAMPENED GAUGES FOR REDUCED NEEDLE MOVEMENT**

**ORIGINAL FREE FLOATING DUAL O-RING SEALING SYSTEM FOR FASTER EVACUATION/CHARGING. SEE PAGE 20 FOR DESCRIPTION**

**AVAILABLE FOR USE WITH R410A**

**AVAILABLE WITH 2-1/2" AND 3-1/8" SIZE GAUGES**

**COLOR CODED REFRIGERANT DIALS FOR EASY READING**

**PULL-OUT PROOF HANGING HOOK**

24225

**SOFT GRIP RUBBER HAND WHEELS REDUCE TURNING TO OPEN/CLOSE**

**PRECISELY MACHINED ANODIZED ALUMINUM BODY**

**REPLACEABLE INTAKE/HOSE HOLDER FITTINGS FOR STORAGE (ON BACK)**

**MADE IN USA**

### METRIC INFORMATION

OFFERED WITH 63.5 MM (2-1/2") METRIC GAUGES READING BAR/PSI, KPA/PSI, AND KG/CM². FOR INFORMATION ON METRIC VERSIONS, PLEASE REFER TO PAGE 33.

GAUGE FEATURES AND REPLACEMENTS ARE DETAILED ON PAGE 35.  
METRIC REPLACEMENT GAUGE VERSIONS ARE DETAILED ON PAGE 38.



# 1/4" ALUMINUM 2-VALVE ZEPPELIN®

R-12  
R-22  
R-502

Includes (3) 60" hoses unless otherwise noted	Standard 2-1/2" gauges	3-1/8" Liquid filled gauges	Glow-in-the-dark 3-1/8" gauges
NO HOSE SET	24000	24050	24025
1/4" CCLE KOBRA® HOSE SET	24008	24058	24033
1/4" CCLBV KOBRA® HOSE W/ BALL VALVE	-----	24065	24040
1/4" CCLS KOBRA® HOSE W/ SECURE SEAL	-----	24069	24044

R-22  
R-134a  
R-404A

NO HOSE SET	24100	24150	24125
1/4" CCLE KOBRA® HOSE SET	24108	24158	24133
1/4" CCLBV KOBRA® HOSE W/ BALL VALVE	-----	24165	24140
1/4" CCLS KOBRA® HOSE W/ SECURE SEAL	-----	24169	24144

R-22  
R-404A  
R-410A

NO HOSE SET	24200	24250	24225
1/4" CCLE KOBRA® HOSE SET	24208	24258	24233
1/4" CCLV KOBRA® HOSE W/ WHIP END	-----	24265	24240

GAUGES DO NOT ILLUMINATE.

R-410A

NO HOSE SET	24500	-----	24525
1/4" CCLE KOBRA® HOSE SET	24508	-----	24533

R-22  
R-134a  
R-404A  
R-410A

NO HOSE SET	-----	24600	-----
1/4" CCLE KOBRA® HOSE SET	-----	24608	-----
1/4" CCLBV KOBRA® HOSE W/ BALL VALVE	-----	24615	-----

R-427A  
R-422b  
R-407A

NO HOSE SET	-----	-----	24325
-------------	-------	-------	-------

R-22  
R-410A  
R-407C

NO HOSE SET	-----	-----	24425
-------------	-------	-------	-------

GAUGE BOOTS FOR THE 2-1/2" AND 3-1/8" ARE DETAILED ON PAGE 38.  
IF YOU DO NOT SEE A REFRIGERANT COMBINATION, PLEASE CONTACT US AT 800-323-0811.

DEEP VACUUM

CHARGING EQUIPMENT

GAUGES

HOSES

ACCESS VALVES

TOOLS & ACCESSORIES

BRASS FITTINGS

REPAIR PARTS

INDEX

# 1/4" ALUMINUM 2-VALVE ZEPPELIN®

DEEP VACUUM

CHARGING EQUIPMENT

GAUGES

HOSES

ACCESS VALVES

TOOLS & ACCESSORIES

BRASS FITTINGS

REPAIR PARTS

INDEX

## NEW ECONOMY 4-VALVe

Designed from our industry standard two valve model, the M4 features the same free flowing dual o-ring sealing system. This American made manifold is rugged and durable.

**SURGE DAMPENED GAUGES FOR REDUCED NEEDLE MOVEMENT**

**ORIGINAL FREE FLOATING DUAL O-RING SEALING SYSTEM FOR FASTER EVACUATION/CHARGING. SEE BELOW FOR DESCRIPTION**

**AVAILABLE FOR USE WITH R410A**

**AVAILABLE WITH 2-1/2" AND 3-1/8" SIZE GAUGES WITH AND WITHOUT BOOTS**

**PULL-OUT PROOF HANGING HOOK**

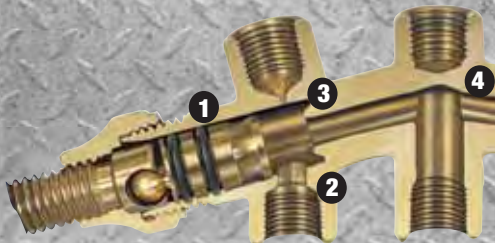
**COLOR CODED REFRIGERANT DIALS FOR EASY READING**

M4-22225

**REPLACEABLE INTAKE/HOSE HOLDER FITTINGS FOR STORAGE**

**EASY TURNING PLASTIC HAND WHEELS**

**MADE IN USA**



**ORIGINAL FREE FLOATING DUAL O-RING SEALING SYSTEM**

- 1. DOUBLE O-RING**
- 2. STEM SEATS RETRACT COMPLETELY FROM FULL FLOW PATH**
- 3. ZERO LEAKAGE HIGH PRESSURE RAISED SEAT FOR POSITIVE SEATING**
- 4. DOUBLE SIZE FLOW PATH THROUGHOUT LENGTH OF CENTER PORT**

GAUGE FEATURES AND REPLACEMENTS ARE DETAILED ON PAGE 35.

KOBRA HOSES ARE DETAILED BEGINNING ON PAGE 40.

REFER TO "MANIFOLD REPAIR PARTS" BEGINNING ON PAGE 81 FOR ALL JB MANIFOLD REPAIR PARTS

# 1/4" ALUMINUM 2-VALVE ZEPPELIN®

## TO FIND THE RIGHT MANIFOLD

1. CHOOSE THE DESIRED REFRIGERANT COMBINATION
2. SELECT THE HOSE SET THAT SUITS YOUR NEEDS
3. MOVE ACROSS THE CHART TO FIND THE GAUGES AND YOUR MODEL NUMBER

R-12  
R-22  
R-502

Includes (4) 60" hoses unless otherwise noted	Standard 2-1/2" gauges	2-1/2" gauges with boots	Glow-in-the-dark 3-1/8" gauges
NO HOSE SET	M4-8	M4-8B	-----
CCL 60" STANDARD	M4-5	M4-5B	-----
CCL 36" STANDARD	M4-36	M4-36B	-----

R-22  
R-134a  
R-404A

NO HOSE SET	M4-21125	M4-21125B	M4-22125
CCL 60" KOBRA® HOSE	M4-21131	M4-21131B	M4-22131

R-22  
R-404A  
R-410A

NO HOSE SET	M4-8-410A	M4-8-410AB	M4-22225
CCL 60" KOBRA® HOSE	M4-5-410A	M4-5-410AB	M4-22231

## Manifolds for Every Price Point

Good

Better

Best

2 Valve

M2 Series  
Page 20

Brass Zeppelin  
Page 22

Aluminum Zeppelin  
Page 24

4 Valve

M4 Series  
Page 26

Ball Valve  
Page 28

Aluminum Zeppelin  
Page 30

# BALL-VALVE MANIFOLD

coming soon!

## NEW 4 Valve ball valve manifold

JB introduces the newest member of our manifold family, the ball valve manifold features four valves operated by internal metering ball valves that can do finite openings perfect for charging in liquid form with no liquid charging adapter necessary!! Quarter turn to open/close. Full 3/8" bore lets you work quickly and efficiently. As always, it is made in the USA!

METERING BALL VALVE  
CAN DO FINITE OPENINGS  
FOR LIQUID CHARGING

FULL 3/8" BORE

1/4 FULL OPEN/CLOSE  
HANDLES

MADE IN USA

Includes (4) 60" hoses  
unless otherwise noted

Standard  
2-1/2" gauges

Glow-in-the-dark  
3-1/8" gauges

R-12  
R-22  
R-502

NO HOSE SET	26000	26025
1/4" CCLE KOBRA® HOSE SET	26008	26033
1/4" CCLBV KOBRA® HOSE W/ BALL VALVE	-----	26040
1/4" CCLS KOBRA® HOSE W/ SECURE SEAL	-----	26044

R-22  
R-134a  
R-404A

NO HOSE SET	26100	26125
1/4" CCLE KOBRA® HOSE SET	26108	26133
1/4" CCLBV KOBRA® HOSE W/ BALL VALVE	-----	26140
1/4" CCLS KOBRA® HOSE W/ SECURE SEAL	-----	26144

R-22  
R-404A  
R-410A

NO HOSE SET	26200	26225
1/4" CCLE KOBRA® HOSE SET	26208	26233
1/4" CCLBV KOBRA® HOSE W/ BALL VALVE	-----	26240
1/4" CCLV KOBRA® HOSE W/ WHIP END	-----	26244

# 1/4" ALUMINUM 4-VALVE ZEPPELIN®

## 4 VALVE LIMITED EDITION MANIFOLD

40% FASTER THAN THE LEADING  
4-VALVE MANIFOLD

INCLUDES SET OF 5 FOOT BLACK  
KOBRA HIGH PRESSURE HOSES  
WITH CHROME COLORED FITTINGS

AVAILABLE WITH AND  
WITHOUT HEAVY DUTY  
BLACK RUBBER GAUGE  
BOOTS

FULL 3/8" BORE EVACUATES  
FASTER

CONTOURED RUBBER SOFT  
GRIP HANDLES

FORGED ALUMINUM  
CONSTRUCTION

STEM SEATS RETRACT  
COMPLETELY FOR FULL  
UNRESTRICTED FLOW

CHROME COLORED FITTINGS

**MADE IN USA**

R-22  
R-404A  
R-410A

	with boots	without boots
CCLE 60" KOBRA® HOSE	25233B-BK	25233-BK

DEEP VACUUM

CHARGING EQUIPMENT

GAUGES

HOSES

ACCESS VALVES

TOOLS & ACCESSORIES

BRASS FITTINGS

REPAIR PARTS

INDEX

# 3/8" ALUMINUM 4-VALVE ZEPPELIN®

# ZEPPELIN

## 4-VALVE ALUMINUM MANIFOLD

**FULL 3/8" BORE  
EVACUATES  
40% FASTER**

PULL-OUT PROOF HANGING HOOK

**SURGE DAMPENED GAUGES FOR REDUCED NEEDLE MOVEMENT**

**FULL 3/8" BORE EVACUATES 40% FASTER THAN THE COMPETING 4-VALVE MANIFOLD**

**COLOR CODED REFRIGERANT DIALS FOR EASY READING**

**AVAILABLE WITH 2-1/2" AND 3-1/8" SIZE GAUGES**

**SOFT GRIP RUBBER HAND WHEELS REDUCE TURNING TO OPEN/CLOSE**

### METRIC INFORMATION

**OFFERED WITH 63.5 MM (2-1/2") METRIC GAUGES READING BAR/PSI, KPA/PSI, AND KG/CM<sup>2</sup>. FOR INFORMATION ON METRIC VERSIONS, PLEASE REFER TO PAGE 34.**

**MADE IN USA**

**REPLACEABLE INTAKE/HOSE HOLDER FITTINGS FOR STORAGE (ON BACK)**

**HEAVY-DUTY FORGED ALUMINUM BODY IS RUGGED AND DURABLE**

**SIGHT GLASS STANDARD ON ALL 4-VALVE MODELS**

25708

## 4-Valve ALUMINUM Manifold

The American-made Zeppelin® series of manifolds. Available in brass and aluminum, this series features durable molded "Soft Grip" rubber handles that eases opening and closing while the improved stem design means "Full Open" in only 2½ turns. The aluminum Zeppelin® series, available in 2- and 4- valve, also incorporates cutting edge styling and technology to significantly reduce the weight of the manifold.

In addition to the new look, JB also offers an increased selection of gauges in metal cases and refrigerant combinations. Standard 2-1/2", large 3-1/8" glow-in-the-dark, and large 3-1/8" liquid-filled gauges can be coupled with different refrigerant combinations and JB's multiple hose options to serve any application. All manifolds include a 60" (152 cm) hose set unless noted otherwise.

**GAUGE FEATURES AND REPLACEMENTS ARE DETAILED ON PAGE 35.  
METRIC REPLACEMENT GAUGE VERSIONS ARE DETAILED ON PAGE 38.**

# 3/8" ALUMINUM 4-VALVE ZEPPELIN®

R-12  
R-22  
R-502

Includes (4) 60" hoses unless otherwise noted	Standard 2-1/2" gauges	3-1/8" Liquid filled gauges	Glow-in-the-dark 3-1/8" gauges
NO HOSE SET	25000	25050	25025
1/4" CCLE KOBRA® HOSE SET	25008	25058	25033
1/4" CCLBV KOBRA® HOSE W/ BALL VALVE	-----	25065	25040
1/4" CCLS KOBRA® HOSE W/ SECURE SEAL	-----	25069	25044

R-22  
R-134a  
R-404A

NO HOSE SET	25100	25150	25125
1/4" CCLE KOBRA® HOSE SET	25108	25158	25133
1/4" CCLBV KOBRA® HOSE W/ BALL VALVE	-----	25165	25140
1/4" CCLS KOBRA® HOSE W/ SECURE SEAL	-----	25169	25144

R-22  
R-404A  
R-410A

NO HOSE SET	25200	25250	25225
1/4" CCLE KOBRA® HOSE SET	25208	25258	25233
1/4" CCLBV KOBRA® HOSE W/ BALL VALVE	-----	25265	25240
1/4" CCLV KOBRA® HOSE W/ WHIP END	-----	25269	25244

R-427A  
R-422b  
R407-A

NO HOSE SET	-----	-----	25325
-------------	-------	-------	-------

R-22  
R-410A  
R407-C

NO HOSE SET	-----	-----	25425
-------------	-------	-------	-------

GAUGES DO NOT ILLUMINATE.

R-410A

NO HOSE SET	25500	25550	25525
1/4" CCLE KOBRA® HOSE SET	25508	25558	25533
1/4" CCLV KOBRA® HOSE W/ WHIP END	25523	25573	25548

**NEW!** EXCLUSIVE 4" REFRIGERANT GAUGE WITH 4 REFRIGERANTS. REPLACEMENT GAUGE INFORMATION FOUND ON PAGE 37.

R-22  
R-134a  
R-404A  
R-410A

	4" gauges
1/4" CCLE KOBRA® HOSE SET	25708
1/4" CCLV KOBRA® HOSE W/ WHIP END	25713

GAUGE BOOTS FOR THE 2-1/2" AND 3-1/8" ARE DETAILED ON PAGE 38.  
IF YOU DO NOT SEE A REFRIGERANT COMBINATION, PLEASE CONTACT US AT 800-323-0811.

DEEP VACUUM

CHARGING EQUIPMENT

GAUGES

HOSES

ACCESS VALVES

TOOLS & ACCESSORIES

BRASS FITTINGS

REPAIR PARTS

INDEX

# METRIC BRASS MANIFOLD

## M2 Metric Brass Manifold

JB's classic forged brass manifold is offered with 63.5 mm (2-1/2") metric gauges in BAR/PSI, kPA/PSI, and kg/cm<sup>2</sup> as well as Standard CL and Kobra® CLE series hoses. Look to page 20 for all the features of JB's brass manifold.

Available with 80 mm (3-1/8") metric gauges in select quantities. For more information, please contact [sales@jbind.com](mailto:sales@jbind.com) or 800.323.0811.



**MADE IN USA**

Includes (3) 60" hoses (unless noted)	BAR/PSI	kPA/PSI	kg/cm <sup>2</sup>
---------------------------------------	---------	---------	--------------------

No hose set	28502	28202	28102
1/4" CCLA standard hose with quick couplers	28505	28205	28105

R-134a

No hose set	28572	28272	28172
1/4" CCL standard hose set (36"/91 cm hose)	28570	28270	28170
1/4" CCL standard hose set (60"/152 cm hose)	28574	28274	28174
1/4" CCLS Kobra® hose with secure seal (60"/152 cm hose)	28576	28276	28176

R-12

R-22

R-502

No hose set	28582	28282	28182
1/4" CCL standard hose set (36"/91 cm hose)	28580	28280	28180
1/4" CCL standard hose set (60"/152 cm hose)	28584	28284	28184
1/4" CCLE Kobra® hose (60"/152 cm hose)	28586	28286	28186
1/4" CCLS Kobra® hose with secure seal (60"/152 cm hose)	28588	28288	28188

R-134a

R-404A

R-507

No hose set	28592	28292	28192
1/4" CCLE Kobra® hose set	28596	28296	28196
5/16", 1/4", 5/16" CCLE Kobra® hose set	28597	28297	28197
1/4" CCLBV Kobra® hose set with ball valve	28599	28299	28199

R-22

R-404A

R-410A



# METRIC ZEPPELIN® MANIFOLD

## Metric Aluminum Zeppelin®

JB's Zeppelin® manifold is offered with 63.5 mm (2-1/2") metric gauges in BAR/PSI, kPA/PSI, and kg/cm<sup>2</sup> as well as Standard CL and Kobra® CLE series hoses. Look to page 24 for all the features of JB's 2-valve aluminum manifold.

Available with 80 mm (3-1/8") metric gauges in select quantities. For more information, please contact sales@jbind.com or 800.323.0811.



R-134a

Includes (3) 60" hoses (unless noted)	BAR/PSI	kPA/PSI	kg/cm <sup>2</sup>
No hose set	28732	28832	28932
1/4" CCLA standard hose with quick couplers	28735	28835	28935

R-22

R-404A

R-410A

No hose set	28752	28852	28952
1/4" CCLE Kobra® hose set	28754	28854	28954
1/4" CCLBV Kobra® hose set with ball valve	28759	28859	28959

R-12

R-22

R-502

No hose set	28772	28872	28972
1/4" CCL standard hose set (36"/91 cm hose)	28770	28870	28970
1/4" CCL standard hose set (60"/152 cm hose)	28774	28874	28974
1/4" CCLS Kobra® hose with secure seal (60"/152 cm hose)	28776	28876	28976

R-134a

R-404A

R-507

No hose set	28782	28882	28982
1/4" CCL standard hose set (36"/91 cm hose)	28780	28880	28980
1/4" CCL standard hose set (60"/152 cm hose)	28784	28884	28984
1/4" CCLE Kobra® hose (60"/152 cm hose)	28786	28886	28986
1/4" CCLS Kobra® hose with secure seal (60"/152 cm hose)	28788	28888	28988

DEEP VACUUM

CHARGING EQUIPMENT

GAUGES

HOSES

ACCESS VALVES

TOOLS & ACCESSORIES

BRASS FITTINGS

REPAIR PARTS

INDEX

# 4-VALVE METRIC ALUMINUM ZEPPELIN

## 4-Valve Metric Aluminum Zeppelin®

Evacuate, charge, or test your system without disconnecting hoses with JB's 4-valve aluminum manifold. This manifold is offered with 63.5 mm (2-1/2") metric gauges and CL and Kobra® CLE series hoses. See page 30 for all the features of the 4-valve manifold. JB's four valve is a full 3/8" bore which renders it 40% faster than the leading competitor.

Available with 80 mm (3-1/8") metric gauges in select quantities. For more information, please contact sales@jbind.com or 800.323.0811.



**MADE IN USA**

Includes (4) 60" hoses (unless noted)	BAR/PSI	kPA/PSI	kg/cm <sup>2</sup>
No hose set	27772	27872	27972
1/4" CCL standard hose set (36"/91 cm hose)	27770	27870	27970
1/4" CCL standard hose set (60"/152 cm hose)	27774	27874	27974
1/4" CCLS Kobra® hose with secure seal (60"/152 cm hose)	27776	27876	27976

No hose set	27752	27852	27952
1/4" CCLE Kobra® hose set	27754	27854	27954
1/4" CCLBV Kobra® hose set with ball valve	27759	27859	27959

No hose set	27782	27882	27982
1/4" CCL standard hose set (36"/91 cm hose)	27780	27880	27980
1/4" CCL standard hose set (60"/152 cm hose)	27784	27884	27984
1/4" CCLE Kobra® hose set (60"/152 cm hose)	27786	27886	27986
1/4" CCLS Kobra® hose with secure seal (60"/152 cm hose)	27788	27888	27988

R-12  
R-22  
R-502

R-22  
R-404A  
R-410A

R-134a  
R-404A  
R-507

DEEP VACUUM

CHARGING EQUIPMENT

GAUGES

HOSES

ACCESS VALVES

TOOLS & ACCESSORIES

BRASS FITTINGS

REPAIR PARTS

INDEX

# 2-1/2" STANDARD GAUGES

**MADE IN USA**

REFRIGERANTS	COMPOUND STEEL CASE	PRESSURE STEEL CASE
R-12, R-22, R-502**	M2-250	M2-500
R-22, R-134a, R-404A	M2-430	M2-435
R-22, R-404, R-410A**	M2-460	M2-465
R-134a, R-404A, R-507	M2-420	M2-425
R-134a	M2-350	M2-355
R-410A	M2-410	M2-415

\*\* AVAILABLE IN BRASS OR CHROME. ADD SUFFIX "B" FOR BRASS OR "C" FOR CHROME I.E. M2-460B.

## 2-1/2" (63.5 mm) Gauges

These high quality, all steel case standard gauges are identical to the gauges used on our manifold sets. They are surge dampened for accuracy. Gauges are sensitive instruments and therefore should not be subjected to pressures beyond scale.

- High impact clear view Lexan lens
- Recalibration screw
- Full size brass movements
- 1/8" MPT connections



### R-134a, R-404A and R-507 Refrigerant Gauges

Compound Gauge: 30" vacuum to 120 psi, retard to 350 psi. Pressure Gauge: 0 to 500 psi



### R-12, R-22 and R-502 Refrigerant Gauges

Compound Gauge: 30" vacuum to 120 psi, retard to 350 psi. Pressure Gauge: 0 to 500 psi  
Available with Brass or Chrome Cases Compound M2-250B or M2-250C and Pressure M2-500B or M2-500C



### R-410A Refrigerant Gauges

Compound Gauge: 30" vacuum to 250 psi, retard to 500 psi. Pressure Gauge: 0 to 800 psi



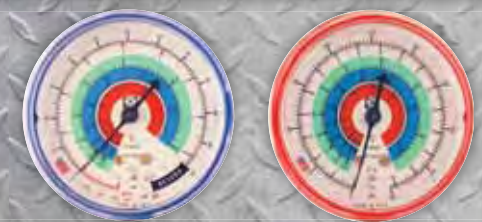
### R-134a Refrigerant Gauges

Compound Gauge: 30" vacuum to 120 psi, retard to 350 psi. Pressure Gauge: 0 to 500 psi



### R-22, R-404, R-410A Refrigerant Gauges

Compound Gauge: 30" vacuum to 250 psi, retard to 500 psi. Pressure Gauge: 0 to 800 psi  
Available with Brass or Chrome Cases Compound M2-460B or M2-460C and Pressure M2-465B or M2-465C



### R-22, R-134a, R-404A Refrigerant Gauges

Compound Gauge: 30" vacuum to 120 psi, retard to 350 psi. Pressure Gauge: 0 to 500 psi

DEEP VACUUM

CHARGING EQUIPMENT

GAUGES

HOSES

ACCESS VALVES

TOOLS & ACCESSORIES

BRASS FITTINGS

REPAIR PARTS

INDEX

# 3-1/8" GAUGES

DEEP VACUUM

CHARGING EQUIPMENT

GAUGES

HOSES

ACCESS VALVES

TOOLS & ACCESSORIES

BRASS FITTINGS

REPAIR PARTS

INDEX

## Illuminated Gauges

JB offers 3-1/8" (80 mm) illuminated gauges. The glow-in-the-dark dials store energy to emit light in dimly lit or dark applications. The R-410A only gauge are not glow-in-the-dark due to their pink dial. The illuminated large gauges are also available with a 1% accuracy rating. Please refer to the 1% accuracy area on the manifold charts for refrigerant combination availability.



M2-851 and M2-856

### R-22, R-134a, and R-404A Refrigerant Gauges

Compound Gauge: 30" vacuum to 120 psi, retard to 350 psi. Pressure Gauge: 0 to 500 psi  
Also available in Class One 1% certified accuracy gauges. M2-951 Compound and M2-956 Pressure.



M2-810 and M2-815  
(Note: These gauges do not illuminate)

### R-410A Refrigerant Gauges

Compound Gauge: 30" vacuum to 250 psi, retard to 500 psi. Pressure Gauge: 0 to 800 psi



M2-820 and M2-825

### R-22, R-404, R-410A Refrigerant Gauges

Compound Gauge: 30" vacuum to 250 psi, retard to 500 psi. Pressure Gauge: 0 to 800 psi  
Also available in Class One 1% certified accuracy gauges. M2-924 Compound and M2-925 Pressure.

## MADE IN USA

### REFRIGERANTS

### COMPOUND STEEL CASE ILLUMINATED

### PRESSURE STEEL CASE ILLUMINATED

R-12, R-22, R-502	M2-800	M2-805
R-22, R-134a, R-404A	M2-851	M2-856
R-22, R-404, R-410A	M2-820	M2-825
R-410A	M2-810	M2-815
R-22, R-410A, R-407C	M2-830	M2-831
R427A, R422B, R407A	M2-828	M2-829
R-22, R-404, R-410A 1%	M2-924	M2-925
R-22, R-134a, R-404A 1%	M2-951	M2-956



### R-22, R-410A and R-407C Refrigerant Gauges

Compound Gauge: 30" vacuum to 250 psi, retard to 500 psi. Pressure Gauge: 0 to 800 psi



### R427A, R422B and R407A Refrigerant Gauges

Compound Gauge: 30" vacuum to 250 psi, retard to 500 psi. Pressure Gauge: 0 to 800 psi

not pictured

### R-12, R-22 and R-502 Refrigerant Gauges

Compound Gauge: 30" vacuum to 120 psi, retard to 350 psi. Pressure Gauge: 0 to 500 psi

# 3-1/8" LIQUID FILLED GAUGES

## 3-1/8" (80 mm) Liquid-filled Gauges

Made with European craftsmanship and quality standards, these Class 1 gauges are +/- 1% accuracy. These liquid filled gauges are offered with an exclusive four refrigerant combination dial for most applications.

- CLASS 1 GAUGES FOR 1% ACCURACY
- RECALIBRATION SCREW
- HEAVY-DUTY CASE WITHSTANDS DAILY USE
- NO LEAK SYSTEM PREVENTS GLYCERIN LEAK



EXCLUSIVE four refrigerant combination dial for most applications

### REFRIGERANTS

R-22, R-134a, R-404A, R-410A

### COMPOUND LIQUID-FILLED

M2-860

### PRESSURE LIQUID-FILLED

M2-865



## MADE IN USA

- HIGHLY ACCURATE TO 1%
- 1/8" MPT FITTING
- TOUGH, IMPACT-RESISTANT ZYTEL CASING WITH OVER 10,000 POUND TENSILE STRENGTH
- TEMPERATURE COMPENSATED FOR CHANGES IN CASE PRESSURE FOR ACCURACY

## 3-1/8" (80 mm) Liquid-filled Gauge

These 3-1/8" (80 mm) American-made liquid-filled gauges are simply the toughest in the industry and are backed by an extended warranty. Features an internal "breathing diaphragm" that eliminates air bubbles which can distort the reading. Thus, calibration is unnecessary. The seal on the internal diaphragm prevents freezing and corrosion.

### REFRIGERANTS

R-12, R-22, R-502  
R-22, R-134a, R-404A  
R-22, R-404, R-410A

### COMPOUND LIQUID-FILLED

M2-870  
M2-880  
M2-890

### PRESSURE LIQUID-FILLED

M2-875  
M2-885  
M2-895

## NEW! 4" GAUGE WITH 4 REFRIGERANTS

These 4" gauges feature 1% accuracy and illuminate in low and dimly lit areas. Features the four most common refrigerants in use today. Available on the ZEPPELIN four valve manifold (see page 31). Please note, gauges may not fit on all manufacturer's manifold bodies due to the width of these gauges.



### REFRIGERANTS

R-22, R-134a, R-404A, R-410A

### COMPOUND

M2-400

### PRESSURE

M2-405

DEEP VACUUM

CHARGING EQUIPMENT

GAUGES

HOSES

ACCESS VALVES

TOOLS & ACCESSORIES

BRASS FITTINGS

REPAIR PARTS

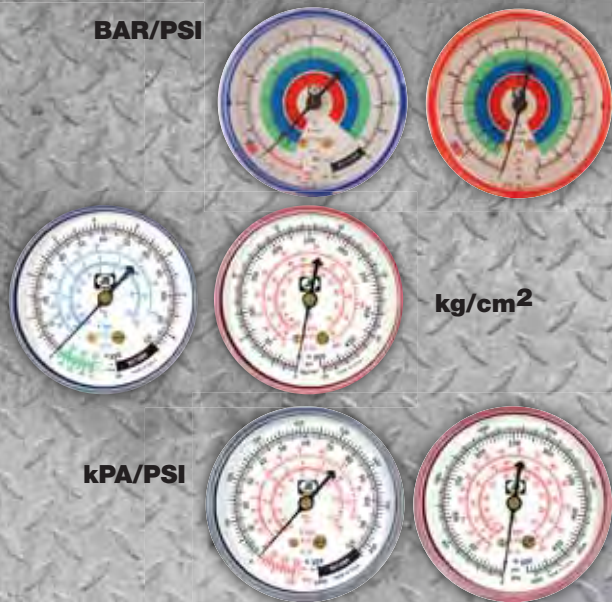
INDEX

# METRIC GAUGES

## 63.5 mm (2-1/2") Metric Gauges

These high quality metric gauges are identical to the gauges used on our manifold sets. Featuring high impact Lexan lenses for better durability and visibility. Gauges are sensitive instruments and therefore should not be subjected to pressures beyond scale. Please refer to pages 32-34 for product information on metric manifolds.

- AVAILABLE IN BAR/PSI, KPA/PSI, AND KG/CM<sup>2</sup> MEASUREMENTS
- FULL SIZE BRASS MOVEMENTS
- FULL SIZE BRASS MOVEMENTS
- RECALIBRATION SCREW
- 1/8" MPT CONNECTION



**MADE IN USA**

Refrigerant Combination	Compound BAR/PSI	Pressure BAR/PSI	Compound kPA/PSI	Pressure kPA/PSI	Compound kPg/cm <sup>2</sup>	Pressure kg/cm <sup>2</sup>
R-12, R-22, R-502	29280	29285	29260	29263	29384	29385
R-22, R-404, R-410A	29310	29315	29311	29316	29312	29317
R-134a, R-404A, R-410A	29290	29295	29291	29296	29292	29297
R-134a	29330	29335	29331	29336	29332	29337
R-22, R-134a, R-404A	29333	29338	-----	-----	-----	-----

FOR SAFETY REASONS, GAUGES AND HOSES NOT SPECIFIED FOR R410 CAN DAMAGE PRODUCT AND CAUSE INJURY.

## Protective Gauge Boots

Protective gauge boots add even more durability to both 2-1/2" (63.5 mm) and 3-1/8" (80 mm) gauges on your manifold. They are not required on liquid-filled gauges.

### PART NO. DESCRIPTION

MR-591	2-1/2" Red boot
MR-592	2-1/2" Blue boot
MR-597	Set of red and blue 2-1/2" boots
MR-594	3-1/8" Red four refrigerant liquid gauge boot
MR-595	3-1/8" Blue four refrigerant liquid gauge boot
MR-593	3-1/8" Black boot
MR-596	Set of two 3-1/8" black boots



# MANIFOLD ACCESSORIES

## Controls Pump

40200

The controls pump is used in conjunction with a gauge manifold to quickly and accurately test and set single or dual pressure controls to 350 psi and 25" of vacuum.



## Replacement Lens

PART NO.	DESCRIPTION
MR-517	2-1/2" (63.5 mm) Gauge case screw-on lens (one) fits plastic and metal
MR-533	80 mm Gauge case snap-on lens (one)

## Gauge Mounting Brackets

PART NO.	DESCRIPTION
M2-106	1/8" FPT
M2-108	1/4" FPT

## LIQUID CHARGING ADAPTER

Metering element reduces liquid flow to a level below capacity of compressor. This assures a safe, fast charge without damaging the compressor. Accepts liquid refrigerant from the cylinder and discharges into low side of the system. Liquid charging is recommended when charging blends into refrigeration and air conditioning systems, and a liquid charger adapter is Necessary for safe and fast liquid charging through the low side of a system.

Eliminates the time and effort of heating cylinders



PART NO.	DESCRIPTION
LC-4	1/4" Liquid Charging Adapter
LC-5	5/16" Liquid Charging Adapter

PART NO.	DESCRIPTION
40200	Controls pump with 40201
40201	Replacement Adapter with O-Ring
40202	Replacement Adapter O-Ring
40203	Replacement Pressure access valve with 35 psi core
40204	Replacement Piston O-Ring
40205	Replace Pressure valve core 35 psi
40206	Replace Vacuum valve core 3 psi
40207	Replacement Vacuum access valve with 3 psi core

## manifold rebuild kits

Rebuild kits are now available for our manifold series. Standard rebuild kits include a stem, nut, piston with seat, and o-rings. Premium rebuild kits feature 2 standard kits plus 2 handwheels and screws. For a complete list of manifold repair parts, please refer to the manifold repair parts section beginning on page 75.



PART NO.	DESCRIPTION
M2R-S	Standard M2 rebuild (also fits M5 thru M9 series)
M2R-P	Premium M2 rebuild (fits M2 series only)
M4R-S	Standard M4 rebuild
M4R-P	Premium M4 rebuild
2VZR-S	Standard Zeppelin 2-valve rebuild (fits both Aluminum and brass)
2VZR-P	Premium Zeppelin 2-valve rebuild (fits both aluminum and brass)
4VZR-S	Standard Zeppelin 4-valve rebuild
4VZR-P	Premium Zeppelin 4-valve rebuild

FOR SAFETY REASONS, GAUGES AND HOSES NOT SPECIFIED FOR R-410A CAN DAMAGE PRODUCT AND CAUSE INJURY. FOR MANIFOLD REPLACEMENT PARTS, PLEASE REFER TO "MANIFOLD REPAIR PARTS" BEGINNING ON PAGE 75.

DEEP VACUUM

CHARGING EQUIPMENT

GAUGES

HOSES

ACCESS VALVES

TOOLS & ACCESSORIES

BRASS FITTINGS

REPAIR PARTS

INDEX

# KOBRA® HIGH PRESSURE HOSE

# KOBRA® HIGH PRESSURE HOSE

## MAXIMUM FLOW. NO BLOWOUTS. BEST HOSE IN THE INDUSTRY

JB introduces a revolutionary patent pending design improvement to our American-made Kobra series of high pressure hoses. The internal enhancements significantly reduce blowouts, provide maximum flow, and are the best hoses available on the market. We have redesigned the gasket, the barb, the depressor, and the cup as a complete upgrade to the existing hose fitting. The process of each step is outlined below. In addition, JB's Kobra® series of refrigerant hoses are made from Kevlar®—the same material that stops bullets in bullet-proof vests. The hoses are incredibly strong and flexible. A common crimp grips the full circumference of the hose, yielding a maximum hold and uniform seal that prevents leaks and busts. Kobra® hoses feature a nitrile cover which is better than neoprene because it is more resistant to oil, giving the hoses a longer life. With a pressure rating of 800 psi working and 4000 psi burst, these hoses can be used with ALL common refrigerants except ammonia.

## KOBRA™ CHARGING HOSE

NITRILE COVER  
KEVLAR BRAID  
RUBBER  
VENEER TUBE

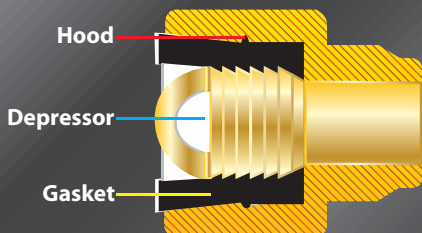


Provides a 5 to 1  
safety factor - beats  
industry standard  
of 4-1

**MADE IN USA**

800 Working  
4000 Burst

## KOBRA™ CUT AWAY



Gasket features a hood with a straight edge that snaps into straight edge of barb. This straight edge to straight edge force eliminates blow outs.

Depressor is barbed, locking into gasket. Outward force of depressor pushes gasket further into place resulting in no blow outs

KOBRA HOSES SOLD IN  
SETS COME IN A UV  
PROTECTIVE BAG TO  
RESIST FADING.

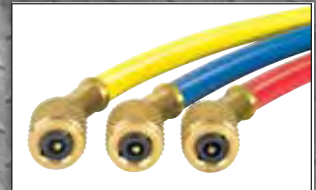


# KOBRA® HIGH PRESSURE HOSE

## Kobra® CLE Series



LENGTH	BLUE	YELLOW	RED	BYR SET	BLACK
36" (91 cm)	CLE-36B	CLE-36Y	CLE-36R	CCLC-36	CLB-36
48" (122 cm)	CLE-48B	CLE-48Y	CLE-48R	CCLC-48	CLB-48
60" (152 cm)	CLE-60B	CLE-60Y	CLE-60R	CCLC-60	CLB-60
72" (182 cm)	CLE-72B	CLE-72Y	CLE-72R	CCLC-72	CLB-72
10' (3 m)	CLE-120B	CLE-120Y	CLE-120R	-----	-----
25' (7.6 m)	CLE-300B	CLE-300Y	CLE-300R	-----	-----
50' (15.2 m)	CLE-600B	CLE-600Y	CLE-600R	-----	-----
75' (22.8 m)	CLE-900B	CLE-900Y	CLE-900R	-----	-----
100' (30.5 m)	CLE-1200B	CLE-1200Y	CLE-1200R	-----	-----

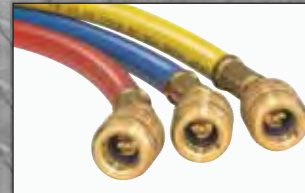


- GASKET SEAL FITTING
- DEPRESSOR SET TO ARI STANDARD FOR ACCESS VALVE CORE
- FEATURES BLOWOUT RESISTANT DEPRESSOR AND BARREL GASKET
- P90514 DEPRESSOR
- P511 GASKET

## Kobra® CLS Series



LENGTH	BLUE	YELLOW	RED	BYR SET
36" (91 cm)	CLS-36B	CLS-36Y	CLS-36R	CCLS-36
48" (122 cm)	CLS-48B	CLS-48Y	CLS-48R	CCLS-48
60" (152 cm)	CLS-60B	CLS-60Y	CLS-60R	CCLS-60
72" (182 cm)	CLS-72B	CLS-72Y	CLS-72R	CCLS-72
10' (3 m)	CLS-120B	CLS-120Y	CLS-120R	-----
25' (7.6 m)	CLS-300B	CLS-300Y	CLS-300R	-----
50' (15.2 m)	CLS-600B	CLS-600Y	CLS-600R	-----
75' (22.8 m)	CLS-900B	CLS-900Y	CLS-900R	-----
100' (30.5 m)	CLS-1200B	CLS-1200Y	CLS-1200R	-----

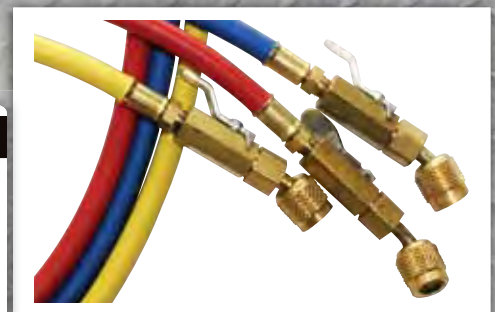


- SECURE SEAL FITTING
- OPENS TO FULL FLOW
- AUTOMATICALLY TRAPS REFRIGERANT DISCHARGE IN HOSE
- P90022 O-RING

## Kobra® CLBV Series



LENGTH	BLUE	YELLOW	RED	BYR SET
36" (91 cm)	CLBV-36B	CLBV-36Y	CLBV-36R	CCLBV-36
48" (122 cm)	CLBV-48B	CLBV-48Y	CLBV-48R	CCLBV-48
60" (152 cm)	CLBV-60B	CLBV-60Y	CLBV-60R	CCLBV-60
72" (182 cm)	CLBV-72B	CLBV-72Y	CLBV-72R	CCLBV-72



P90514 DEPRESSOR  
P511 GASKET

## Kobra® CLV Series



LENGTH	BLUE	YELLOW	RED	BYR SET
36" (91 cm)	CLV-36B	CLV-36Y	CLV-36R	CCLV-36
48" (122 cm)	CLV-48B	CLV-48Y	CLV-48R	CCLV-48
60" (152 cm)	CLV-60B	CLV-60Y	CLV-60R	CCLV-60
72" (182 cm)	CLV-72B	CLV-72Y	CLV-72R	CCLV-72



P90514 DEPRESSOR  
P511 GASKET

DEEP VACUUM

CHARGING EQUIPMENT

GAUGES

HOSES

ACCESS VALVES

TOOLS & ACCESSORIES

BRASS FITTINGS

REPAIR PARTS

INDEX

# BALL VALVE HOSE

## Whip End Only with Ball Valve

(CONNECTS TO HOSE FITTING)



LENGTH	BLUE	YELLOW	RED	BYR SET	BLACK
1/4" X 6" (15 cm)	CLV-6B	CLV-6Y	CLV-6R	CCLV-6	CLV-6BL
3/8" X 6" (15 cm)	-----	-----	-----	-----	-----

## retro fit hose kit ball valve



One 1/4" yellow whip end (CLV-6Y), one 1/4" black whip end (CLV-6BL), and one 3/8" black whip end to retro fit to existing hoses.

(REPLACEMENT FOR CLV)

LENGTH	BLUE	YELLOW	RED
6" (15 cm)	CLP-6B	CLP-6Y	CLP-6R

## Whip End Only MPT Fitting

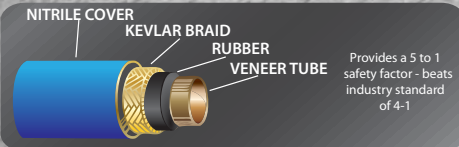


## 3/8" KOBRA Black and Yellow Charging Hose

Available in yellow and black, these hoses feature gasket seal fittings. Both colors of charging hose have a 500 psi working pressure and 2500 psi burst. Lined with Kevlar, these hoses are tough and dependable. Black hoses are available with and without UL approved Shut-off ball valve. P90016 is the replacement gasket for these hoses.

600 Working  
3000 Burst

### KOBRA™ CHARGING HOSE



LENGTH	BLACK WITH BALL VALVE SHUT-OFF	BLACK WITH-OUT VALVE	YELLOW
36" (91 cm)	CLV6-36	CL6-36	CL6-36Y
48" (122 cm)	CLV6-48	CL6-48	CL6-48Y
60" (152 cm)	CLV6-60	CL6-60	CL6-60Y
72" (182 cm)	CLV6-72	CL6-72	CL6-72Y

# STANDARD CHARGING HOSE

## 1/4", 3/8" AND 1/2" Heavy-Duty BLACK Charging Hose

New heavy-duty charging hose reduces permeation and handle 900 psi working, 3500 psi burst. Available in black only. Straight fittings by straight fittings.

900 Working  
3500 Burst

LENGTH	1/4"	3/8"	1/2"
36" (91 cm)	CL4HD-36	CL6HD-36	CL2HD-36
48" (122 cm)	CL4HD-48	CL6HD-48	CL2HD-48
60" (152 cm)	CL4HD-60	CL6HD-60	CL2HD-60
72" (182 cm)	CL4HD-72	CL6HD-72	CL2HD-72



## Deep Vacuum Flexible Metal Hoses

Unlike charging hose, our flexible metal lines will not permeate under vacuum. Our metal lines feature finger-tight O-ring coupler ends.

### PART NO. DESCRIPTION

D10436	1/4" x 36" flexible metal line (one 45° fitting)
D10472	1/4" x 72" flexible metal line (one 45° fitting)
D10636	3/8" x 36" flexible metal line (one 45° fitting)
D10660	3/8" x 60" flexible metal line (one 45° fitting)
P90009	1/4" replacement O-ring (10 pack)
P90016	3/8" replacement gasket (10 pack)
P90008	1/2" replacement gasket (X pack)

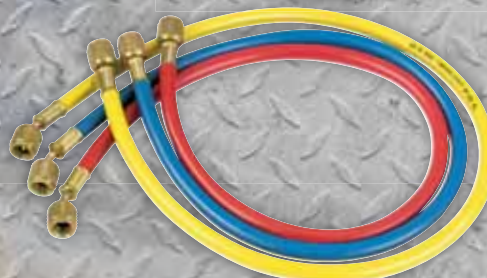


## 1/4" STANDARD Charging Hose

With a pressure rating of 750 psi working and 3000 psi burst, these hoses are ideal or use with all standard refrigerants (except high pressure refrigerants). Permeation can be detected and will vary with refrigerant type and time of exposure.

LENGTH	BLUE	YELLOW	RED	BYR SET
36" (91 cm)	CL-36B	CL-36Y	CL-36R	CCL-36
48" (122 cm)	CL-48B	CL-48Y	CL-48R	CCL-48
60" (152 cm)	CL-60B	CL-60Y	CL-60R	CCL-60
72" (182 cm)	CL-72B	CL-72Y	CL-72R	CCL-72

750 Working  
3000 Burst



DEEP VACUUM

CHARGING EQUIPMENT

GAUGES

HOSES

ACCESS VALVES

TOOLS & ACCESSORIES

BRASS FITTINGS

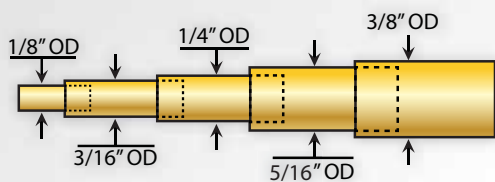
REPAIR PARTS

INDEX

# ACCESS VALVES

JB machines access valves at their Aurora, Illinois facility using brass of the highest content, 65% copper and 35% zinc. This gives our brass fittings and access valves high tensile strength while resisting corrosion. If you are not buying American made brass fittings, ask yourself what is the metal content used in the imported versions, do you trust it, and can you afford to have them fail? We also machine all of our valves according to the strict specifications of ARI to ensure proper sealing of valve and core surfaces. Quality and dependability from American made products.

## AC/R COPPER TUBE FITTING GUIDE



## CONNECTING TUBE SIZE

OD TUBE SIZE	ODS INTERNAL TUBE FIT	ODF EXTERNAL TUBE FIT	ODF SWAGE FIT
1/8	--	3/16	--
3/16	1/8	1/4	3/16
1/4	3/16	5/16	1/4
5/16	1/4	3/8	5/16
3/8	5/16	--	3/8

## ODS AND ODF FIT DESCRIPTIONS



Descriptions for solder/braze access valves specify the connecting tube OD. Size and type fit illustrated below are the types of fit for A31723 valve.

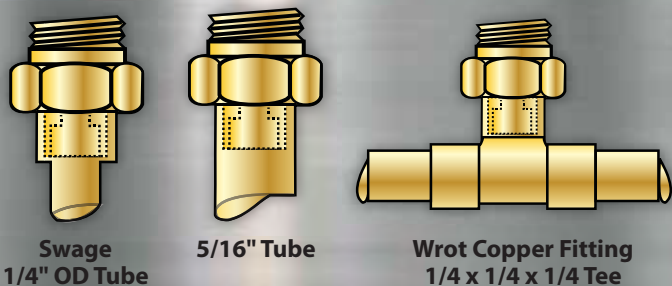
PART NO.	DESCRIPTION
A31723	3/16" ODS X 1/4" ODF

### 1/4" ODF FIT

Connecting line slips around access fitting. Look under the ODF heading in the AC/R Copper Tube chart above.

There are two types. JB Access Valve description for ODF is always "swage fit." The connecting tube OD is the same OD as the fitting end. Therefore A31723 above will also slip into 5/16" OD tube.

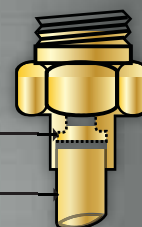
If connecting to wrought copper fitting, use ODF swage size.



### 3/16" OD FIT

Connecting line slips into solder cup. Note extra depth solder cups on copper solder tees.

Internal Solder Cup  
3/16" OD Tube



### Nomenclature:

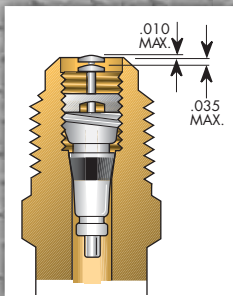
FOR EASY REFERENCE, THE LAST TWO NUMERALS OF OUR FLARE FITTINGS CORRESPOND TO THEIR RESPECTIVE TUBE SIZES:

NUM	TUBE SZ.	NUM	TUBE SZ.
02	1/8"	08	1/2"
03	3/16"	10	5/8"
04	1/4"	12	3/4"
05	5/16"	14	7/8"
06	3/8"	18	1-1/8"

# ACCESS VALVES

## Specifications

<b>ARI Standard</b>	720-2002
<b>ARI Torque</b>	3.0 - 5.0 inches/pound
<b>Temp Range</b>	-40 F° to 250 F° (-40 C° to 121 C°)
<b>Valve Bodies</b>	Brass
<b>Valve Core</b>	Stainless steel and brass for use with all refrigerants such as R-12, R-22, R-134a, R-410A, and R-502. Resistant to oils, alkalites, and diluted mineral acids.



**Valve Core Pin Location**  
After valve installation, replace valve core with valve core tool. Torque to ARI specifications.

**GENEROUS COUNTER BORE ALLOWS REMOVAL OF CORE IF FLARE BECOMES DAMAGED.**

**ALL TEES AND CROSSES ARE TAPPED TO RECEIVE AN ACCESS CORE IN ALL 1/4" SAE FLARE ENDS.**

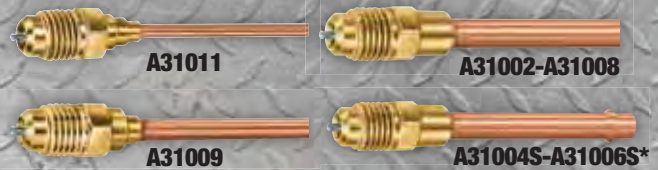
**ALL PIPE CONNECTIONS HAVE INTERNAL BRAZE CUPS FOR DIP TUBE APPLICATIONS.**

**ALL VALVES ARE EQUIPPED WITH CAP AND ONE VALVE CORE (BRAZE TYPE LOOSELY ASSEMBLED).**

## Copper Tube Extension



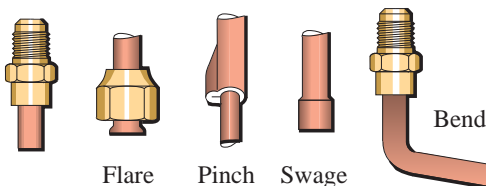
Use these fittings with Sil-phos alloy and copper fittings. Install through the side of the larger line to extend length approximately two inches. Includes cap (NFT5-4) and valve core. 1/4" ID.



PART NO.	TUBE EXT. SIZE	BLISTER PKG.
A31002	1/8" OD	5
A31003	3/16" OD X 1/8" ID	5
A31004	1/4" OD X 3/16" ID	5
A31005	5/16" OD X 1/4" ID	5
A31006	3/8" OD X 5/16" ID	5
A31008	1/2" OD	3
A31004S	1/4" OD	5
A31006S	3/8" OD	5

**NOTE:** OD X ID sizes are for copper tube extension. For connecting line size, see chart on left for ODS and ODF fit.

## Multi-step



PART NO.	TUBE EXT SIZE	BLISTER PKG.
A31009	1/8" OD EXT; 3/16", 1/4" and 5/16" ODF body steps	3
A31011	3/16" OD EXT; 1/4" and 3/8" ODF body steps	3

## Copper Saddle Braze/Tapper



The new A32800 series of saddles offer the best protection from leaks. Once brazed on, you can check for leaks before piercing the tube. The steel pin is inserted and the cap is tightened down to pierce the tube. Body sizes are contoured to match specific tube sizes. The Braze/Tapper has a hardened steel-piercing needle and is furnished with a cap.



PART NO.	TUBE SIZE	BLISTER PKG.	PART NO.	TUBE SIZE	BLISTER PKG.
*A32804	1/4"	5	*A32904	1/4"	5
*A32805	5/16"	5	*A32905	5/16"	5
*A32806	3/8"	5	*A32906	3/8"	5
*A32808	1/2"	3	*A32908	1/2"	3
*A32810	5/8"	3	*A32910	5/8"	3
*A32812	3/4"	2	*A32912	3/4"	2
*A32814	7/8"	2	*A32914	7/8"	2
*A32818	1-1/8"	2			

\*Core pre-torqued to ARI specifications torque flare nut to 8 to 10 ft.lbs.

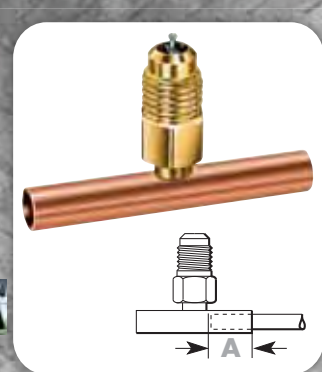
# ACCESS VALVES

## Copper Braze Tees

- BEND, CUT, FLARE, SWAGE OR PINCH
- EXTRA DEPTH SLIP FIT BRAZE CUPS
- SIMPLE INSTALLATION ANYWHERE ALONG LINE
- USE SIL-PHOS ALLOY



SEE PAGE 43 FOR FORGED BRASS TEES



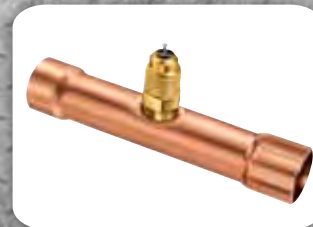
## Swaged Copper Braze Tees

- SIMPLE INSTALLATION ANYWHERE ALONG LINE



- BRAZE CUP ENDS
- USE SIL-PHOS ALLOY

SEE PAGE 43 FOR FORGED BRASS TEES



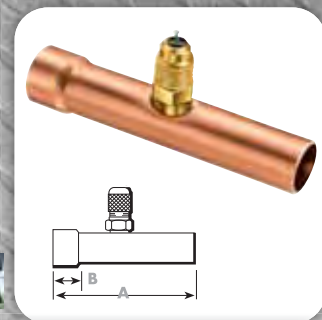
PART NO.	SLIP FIT CONNECT LINE SIZE	OAL	LENGTH "A"	BLISTER PKG.
A31134	1/4" ODS X 5/16" ODF	2-1/8"	1"	3
A31135	5/16" ODS X 3/8" ODF	2-1/8"	1"	3
A31136	3/8" ODS X 1/2" ODF	2-1/8"	1"	3
A31138	1/2" ODS	2-1/8"	1"	3
A31140	5/8" ODS	2-1/2"	1"	1
A31142	3/4" ODS	3"	1-1/4"	1
A31144	7/8" ODS	3-1/2"	1-1/2"	1
A31148	1-1/8" ODS	3-13/16"	1-5/8"	1
A31154	3/16" ODS X 1/4" ODF	4"	1-15/16"	2
A31155	1/4" ODS X 5/16" ODF	4"	1-15/16"	2
A31156	5/16" ODS X 3/8" ODF	4"	1-15/16"	2

PART NO.	SLIP FIT CONNECT LINE SIZE	OAL	BLISTER PKG.
A31334	1/4" OD	2- 1/8"	3
A31335	5/16" OD	2 -1/8"	3
A31336	3/8" OD	2- 1/8"	3
A31338	1/2" OD	2- 1/8"	3
A31340	5/8" OD	2 -1/2"	1
A31342	3/4" OD	3"	1
A31344	7/8" OD	3- 1/2"	1
A31348	1-1/8" OD	3 -13/16"	1

## Copper Access Union

- INSTALL VALVE IN ANY POSITION
- USE SIL-PHOS ALLOY
- CONNECTING LINE SIZE FOR ODS AND ODF EXTERNAL TUBE ENDS

SEE PAGE 43 FOR FORGED BRASS TEES



PART NO.	CONNECTING LINE SIZE	A (OAL)	B (MIN)	BLISTER PKG.
A31199	1/4" OD	2-3/8"	5/16"	2
A31200	3/8" OD	2-3/4"	5/16"	2
A31201	1/2" OD	3"	3/8"	2
A31202	5/8" OD	3-1/4"	1/2"	2
A31204	7/8" OD	3-3/4"	3/4"	2

## Multi-step



PART NO.	TUBE EXTENSION SIZE	BLISTER PKG.
A31012	1/8" ext. 1/8" and 3/16" tube	3

## Copper 90° Elbow



PART NO.	CONNECTING LINE SIZE	PKG.
A31160	5/8" ODS	1
A31162	3/4" ODS	1
A31164	7/8" ODS	1
A31168	1-1/8" ODS	1

DEEP VACUUM

CHARGING EQUIPMENT

GAUGES

HOSES

ACCESS VALVES

TOOLS & ACCESSORIES

BRASS FITTINGS

REPAIR PARTS

INDEX

# ACCESS VALVES

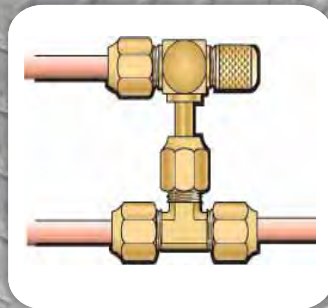
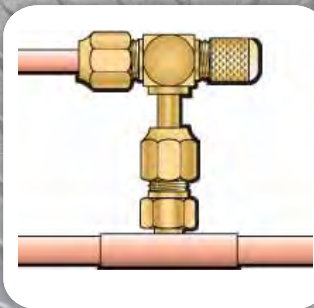
## Swivel Flare Connection

Add multiple ports with just one fitting. These valves offer a safe, simple installation without the need for brazing. All of the flare ends are tapped to receive access core. JB provides a full range of various end configurations to provide greater flexibility. One core and cap are packaged with each valve.

### Typical swivel flare installation

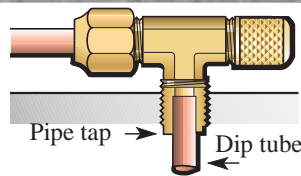
Swivel flare with core depressor installed on existing access valve. Add a new line or control. No refrigerant loss on charged system.

Valve without depressor installed on flare fitting. Multiple ports provide additional line or controls and access site.



### Typical MPT Installation

All MPT connections have internal braze cup for dip tube installation.



## Cross with Three Access Ports



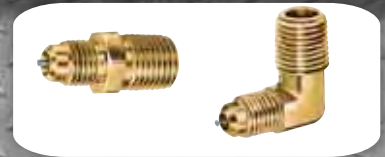
PART NO.	DESCRIPTION	BLISTER PKG.
A31522	1/8" MPT cross	1

## MPT Connections Tee



PART NO.	DESCRIPTION	BLISTER PKG.
A31452	1/8" MPT branch	3
A31454	1/4" MPT branch	3
A31512	1/8" MPT run	3
A31514	1/4" MPT run	3

## MPT CONNECTIONS



PART NO.	DESCRIPTION	BLISTER PKG.
*A31482	1/8" MPT half union	5
*A31484	1/4" MPT half union	5
*A31492	1/8" MPT elbow	3
*A31494	1/4" MPT elbow	3

## Swivel Tee with Depressor



A31851  
A31864 (no depressor)



PART NO.	DESCRIPTION	BLISTER PKG.
A31851	1/4" Fe SAE swivel nut on run	3
A31852	1/4" Fe SAE swivel nut on branch	3

## Swivel Tee without Depressor



A31852  
A31854 (no depressor)



PART NO.	DESCRIPTION	BLISTER PKG.
A31854	1/4" Fe SAE swivel nut on branch	3
A31864	1/4" Fe SAE swivel nut on run	3

## Swivel 3/8" SAE Tee



A31853



PART NO.	DESCRIPTION	BLISTER PKG.
A31853	3/8" SAE X 3/8" Fe SAE swivel nut X 1/4" access	1
A31856	3/8" SAE X 1/4" access X 3/8" Fe SAE swivel nut	1

# ACCESS VALVES

## Swivel Cross with Depressor



PART NO.	DESCRIPTION	BLISTER PKG.
A31520	1/4" Fe SAE swivel nut x access	1

## Flared Tube Connection



\*Core pre-torqued to ARI

PART NO.	DESCRIPTION	BLISTER PKG.
*A31424	1/4" Fe SAE union w/ flare nut	3
A31444	1/4" Fe SAE tee w/ nuts	3

## FLARE CONNECTION AND FLARE FITTING ADAPTER



\*Core pre-torqued to ARI

PART NO.	DESCRIPTION	BLISTER PKG.
*A31614	1/4" Fe SAE w/ copper gasket	5
*A31734	1/4" Fe SAE swivel nut w/ depressor	3

## bulkhead mounting



\*Core pre-torqued to ARI

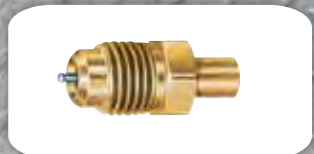
PART NO.	DESCRIPTION	BLISTER PKG.
*A31434	Access x 1/4" SAE w/ nut	1
*A31727	Access x 3/16" and 1/4" ODS or 3/8" ODF	1

## forged brass braze tees



PART NO.	DESCRIPTION	BLISTER PKG.
A31234	1/4" ODS x 3/8" ODF	3
A31235	5/16" ODS x 3/8" ODF	3
A31236	3/8" ODS x 1/2" ODF	3
A31238	1/2" ODS x 5/8" ODF	3
A31544	1/4" ODS	3

## brass bodies



PART NO.	DESCRIPTION	BLISTER PKG.
A31722	1/8" ODS x 1/4" ODF	3
A31723	3/16" ODS x 1/4" ODF	3
A31724	1/4" ODS x 3/8" ODF	3
A31725	5/16" ODS x 1/2" ODF	3
A31726	3/8" ODS x 1/2" ODF	3
A31728	1/2" ODS x 5/8" ODF	3

## multi step



PART NO.	DESCRIPTION	BLISTER PKG.
A31720	3/16" ODS x 1/4" or 3/8" ODF steps	5
A31729	3/16", 1/4", 5/16", 1/2" ODF steps	3
A31736	1/8" ODS x 3/16", 1/4" or 5/16" ODF	3

DEEP VACUUM

CHARGING EQUIPMENT

GAUGES

HOSES

ACCESS VALVES

TOOLS & ACCESSORIES

BRASS FITTINGS

REPAIR PARTS

INDEX



# VALVE CORE TOOLS

Access valve coupler with depressor



Quickly add controls or branch line to service valve. Valve core depressed when coupler is tightened.

PART NO.	DESCRIPTION	BLISTER PKG.
A33004	1/4" SAE swivel flare x Male flare	1

SAE 45° Brass Flared Tube Fittings

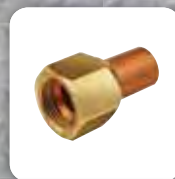


PART NO.	DESCRIPTION	BLISTER PKG.
A32600	1/4" (NS4-4)	10
A32601	5/16" (NS4-5)	5
A32602	3/8" (NS4-6)	10
A32603	1/2" (NS4-8)	5
A32604	5/8" (NS4-10)	5
A32605	3/4" (NS4-12)	2

Swivel FE Flare x Solder Adapter  
DOUBLE DEEP SOLDER CUTS



A32700-04



PART NO.	DESCRIPTION	BLISTER PKG.
A32700	1/4" x 1/4" (US5-44)	4
A32701	3/8" x 3/8" (US5-66)	4
A32702	1/2" x 1/2" (US5-88)	4
A32703	5/8" x 5/8" (US5-1010)	2
A32704	3/4" x 3/4" (US5-1212)	2

## Valve core torque tool A32008



JB is proud to announce a revolutionary new tool that will become the must have item for every technician. Our new valve core torque tool automatically sets proper torque. Calibrated to precise torquing requirements for core valves, the tool will no longer tighten once proper torque is achieved. Eliminates guess work which results in under and over torquing. Works with all Schrader valve cores.



## Valve Core Torque Tool

The rotary torque mechanism prevents over-torquing of valve core.



PART NO.	DESCRIPTION
32002	1/4" Valve core torque tool
32003	Core remover bit replacement part

## 1/4" Valve Core Tool

Complete with a hollow handle for storage of the 6 extra valve cores.



PART NO.	DESCRIPTION
A32004	1/4" Valve core tool

## 1/4" Valve Cores

PTFE/ neoprene seal replacement valve core. Max 800 psi and 220°F (104°C).



PART NO.	DESCRIPTION
A31999	1/4" Valve Core (5 pack)
A31999-25	1/4" Valve Core (25 pack)
A31999-100	1/4" Valve Core (100 pack)

DEEP VACUUM

CHARGING EQUIPMENT

GAUGES

HOSES

ACCESS VALVES

TOOLS & ACCESSORIES

BRASS FITTINGS

REPAIR PARTS

INDEX

# CAPS

## Evacuation and Core Remover Tools

Specifically designed to valve off the system to remove valve core, these tools feature a quarter turn ball valve shut-off and O-ring seals. The valve core can be completely removed and replaced without losing system charge. Speed-up evacuation, recovery, or recharging time through the full flow port. Both tools have a storage area to house spare valve cores.



**A32525N**



**A32500N**



PART NO.	DESCRIPTION
A32500N	1/4" Valve core remover
A32505N	5/16" Valve core remover
A32525N	1/4" Valve core remover w/ access port
A32501N	Core remover bit for A32500N replacement
A32504	Core remover bit for A32525N replacement

## Evacuation Core Remover and Superheat Thermometer Tool Set



This combo set calculates superheat from -58°F to +302°F (-50°C to 150°C) with the temperature/pressure tool. All items have O-ring seals and the core remover tool has a quarter turn ball valve shut-off.

PART NO.	DESCRIPTION
A32550N	Evacuation core remover and superheat tool set
A32504	Core remover bit replacement part

## Evacuation/Recovery Tool

Our evacuation/recovery tool is a plier-type tool with a quick release trigger which punctures large holes into the line for discharge of a recovery unit. Fits 3/16" to 7/8" OD hard tubing.



**A32100**

PART NO.	DESCRIPTION
A32100	Evacuation/Recovery tool
A32101	Hardened steel needle and gasket

## Core Removers

A31997 is a 1/4" SAE gasket seal cap with core remover feature. A31998 is a 1/4" plastic core remover.



**A31997**



**A31998**

PART NO.	DESCRIPTION
A31997	1/4" SAE gasket seal caps with core removers (10 pack)
A31998	1/4" plastic core removers (5 pack)

## O-Ring Quick Seal Caps

Deep Vacuum and A/C Refrigeration. Finger tight sealing for all male SAE connections.



PART NO.	DESCRIPTION
NFT5-4	1/4" SAE cap (10 pack)
NFT5-6	3/8" SAE cap (3 pack)
NFT5-4-100	1/4" SAE cap (100 pack)
NFT5-6-100	3/8" SAE cap (100 pack)
P90010	Replacement 1/4" O-ring (5 pack)
P90011	Replacement 3/8" O-ring (5 pack)

## Quick Seal Gasket Caps

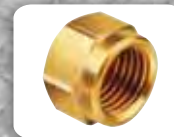
For A/C Refrigeration service. Finger tight sealing for all male SAE connections.



PART NO.	DESCRIPTION
A31985	1/4" SAE cap (10 pack)
A31985-100	1/4" SAE cap (100 pack)
P509	Replacement gasket (10 pack)
P509-25	Replacement gasket (25 pack)

## Wrench Style Seal Cap

For A/C Refrigeration service. Brass to brass positive seal and permanent installation.



PART NO.	DESCRIPTION
A31986	1/4" SAE cap (5 pack)

DEEP VACUUM

CHARGING EQUIPMENT

GAUGES

HOSES

ACCESS VALVES

TOOLS & ACCESSORIES

BRASS FITTINGS

REPAIR PARTS

INDEX

## Specialty Caps and 1/2" 16 ACME Caps.



PART NO.	DESCRIPTION
A31992	1/4" SAE cap (5 pack)
A31992-100	1/4" SAE cap (100 pack)
13493	Plastic cap with retainer strap (2 pack)
13494	Plastic cap (1 pack)

## O-Ring Seal Line Piercing

Our spring loaded needle automatically back-seats, forming a leak proof seal. A simple installation that is 100% restriction free. Both models fit 1/4", 5/16", 3/8", 1/2", and 5/8" OD tubing.



PART NO.	DESCRIPTION
LT-456	1/4" - 3/8" Line piercing valve
LT-810	1/2" - 5/8" Line piercing valve

## E-Z Tapper

The back-seating stem eliminates line restriction when servicing through access port or use the valve for flow control.



PART NO.	DESCRIPTION
EZ-40288	E-Z tapper piercing valve
EZ-40288-126	E-Z tapper gasket (5 pack)

## Back Seating Control Valve

Ideal for use on pre-charged line sets. Eliminates spraying of leak detection dye and refrigerant. Compact brass body for long service. Swivel coupler with double safety grooves.



PART NO.	DESCRIPTION
A33000	1/4" SAE x 1/4" O-ring quick coupler
P90009	Replacement O-ring (10 pack)

## bulk fitting jars

NEW for 2011, JB has taken a few of the best selling access valves and packaged them in a convenient display jar. Featuring individual labels with unique bar codes, the item can be scanned at the top of the jar rather than looking it up in the computer. Saves counter personnel time to directly sell single units without having to look up part numbers in the system. Order the jar once, then just restock as needed.



PART NO.	DESCRIPTION
A31004-CJ	1/4" OD X 3/16" ID Copper Tube Extension with bulk jar (250 pcs.)
NFT5-4-CJ	1/4" SAE cap with bulk jar (500 pcs.)

## access valve service kit

NEW for 2011, JB has taken the most popular access fittings used on service calls and created an access valve service kit with convenient storage case. The interior of the label includes part numbers to make individual reordering and stocking convenient.



PART NO.	DESCRIPTION
AVK-001	Access Valve Service Kit in Storage Case

# COUPLERS

## Quick Couplers

### QC-S5

5/16" female x 1/4" male adapter is designed to give the end user the ability to connect their standard refrigeration hoses to 5/16" (1/2" UNF) fittings being used on most R-410A mini-splits. Swiveled so the adapter can remain on hoses for easy on/off application and installation.

3/8" couplers with patented O-Ring seal for deep vacuum. No depressor.

3/16" couplers with valve core depressor, safety channels and O-Ring seal



QC-S5

For 410A 5/16" connections, use QC-S5

1/4" and 5/16" couplers with valve core depressor, safety channels and rubber gasket seal

straight



### PART NO. DESCRIPTION

QC-S3	3/16" QC x 1/4" SAE
QC-S4	1/4" QC x 1/4" SAE
QC-S46	1/4" QC x 3/8" SAE
QC-S5	5/16" QC x 1/4" SAE
QC-S64	3/8" QC x 1/4" SAE (no depressor)
QC-S65	3/8" QC x 5/16" SAE (no depressor)



QC-S4A

fto thread



### PART NO. DESCRIPTION

QC-S4A	1/4" QC X 1/8" FTP
QC-S4B	1/4" QC X 1/4" FTP



QC-S3

Elbow



QC-E3

### PART NO. DESCRIPTION

QC-E3	3/16" QC X 1/4" SAE elbow
QC-E4	1/4" QC X 1/4" SAE elbow
QC-E5	5/16" QC X 1/4" SAE elbow
QC-E64	3/8" QC X 1/4" SAE elbow (no depressor)

## Quick Coupler Shut-Off Fittings

Use with existing charging hose. Immediately traps refrigerant discharge from hose when disconnected from access fitting.



### PART NO. DESCRIPTION

33112N	1/4" QC x 1/4" SAE
33113N	1/4" QC x 1/4" SAE 90°
3311RK	Replacement kit to rebuild



## Quick Coupler Access Tee

O-Ring seal quick coupler. Furnished with cap and valve core.



### PART NO. DESCRIPTION

A34000	1/4" QC x 1/4" access branch tee
P90009	Replacement O-Ring (10 pack)

## Swivel Cylinder Valve

Finger tight seal. Includes gasket.



### PART NO. DESCRIPTION

CV-20004	3/4" NPS x 1/4" M flare
CV-20006	3/4" NPS x 3/8" M flare

## Core Depressor



### PART NO. DESCRIPTION

A33500	1/4" thumbscrew core depressor
--------	--------------------------------

## Replacement Parts for quick couplers

### PART NO. DESCRIPTION

P90009	1/4" O-Ring (10 pack)
P509	1/4" gasket (6 pack)
P90513	Depressor for 1/4" QC (5 pack)
P90012	3/8" O-Ring (10 pack)

DEEP VACUUM

CHARGING EQUIPMENT

GAUGES

HOSES

ACCESS VALVES

TOOLS & ACCESSORIES

BRASS FITTINGS

REPAIR PARTS

INDEX

## 134a Automotive Couplers

Quick connect/ disconnect valve actuation without refrigerant venting. Safety sleeve holds coupler securely to service port. Color coded knobs.



PART NO.	DESCRIPTION
AC-13430	High side 90 degree snap coupler x 14 mm
AC-13435	Low side 90 degree snap coupler x 14 mm
AC-15530	High side 90 degree snap coupler x 1/4" SAE
AC-15535	Low side 90 degree snap coupler x 1/4" SAE

## 134a automotive quick adapter

Retrofit existing SAE flare fitting for 134a

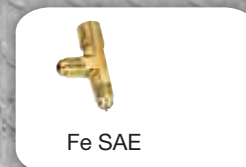


PART NO.	DESCRIPTION	QC GASKET
QC-S4A-134a	1/4" QC x 1/2" male ACME thread	P509
QC-13445-134a	1/2" ACME QC x 1/4" male flare	P510

## 1/2" Acme thread half union



PART NO.	DESCRIPTION
AF-13450	1/8" NPTF
AF-13451	1/4" NPTF
AF-13452	3/8" NPTF
AF-13455	1/4" Fe SAE
AF-13457	3/8" Fe SAE



## SIDE CAN TAP SCT-1030

The design of our side can tap allows you to easily adjust from R-12 to R134a refrigerant cylinders for quick and easy charging. Slide handles with proper collar around can and close to pierce. Do not use with other refrigerants. Features a 1/4" x 1/2" ACME thread fitting.



SCT-1030

## 1/2" ACME service valve



PART NO.	DESCRIPTION	BLISTER PKG.
AF-13550	1/2" ACME x 1/8" NPTF w/ 13494 cap	1

## Oil Tap Tube

### A33600



End the mess in oil changes and save time on service calls with JB's oil tap access tube. This access tube reduces motor burnout by simplifying acid tests and can be left in place for future tests and changes.

PART NO.	DESCRIPTION
A33600	Oil Tap Tube
RG-33600	Replacement Gasket

# REFRIGERANT BALL VALVES

## Full Flow Ball-Refrigeration

JB's ball-refrigeration valves have a large port design that provides a minimum pressure drop with straight through flow. Copper end fittings reduce installation time without disturbing valve. We have two types of ball valves to suit your needs. Our traditional ball valves have brass actuators and a working pressure rating of 500 psi. Our new addition ball valve features stainless steel actuators and a working pressure rating of 700 psi. We differentiate the two types here by "Brass" and "Steel". Both are UL listed.

BRASS NO PORT	STEEL NO PORT	BRASS WITH PORT	STEEL WITH PORT	DESCRIPTION
-----	V34350	-----	V34525	1/4" ODS extensions
V34200	V34300	V34400	V34500	3/8" ODS extensions
V34201	V34301	V34401	V34501	1/2" ODS extensions
V34202	V34302	V34402	V34502	5/8" ODS extensions
V34203	V34303	-----	-----	3/4" ODS extensions
V34204	V34304	V34404	V34504	7/8" ODS extensions
V34206	V34306	V34406	V34506	1-1/8" ODS extensions
V34207	V34307	V34407	V34407	1-3/8" ODS extensions
V34208	V34308	V34408	V34508	1-5/8" ODS extensions
V34209	V34309	V34409	V34509	2-1/8" ODS extensions
V34210	V34310	-----	-----	2-5/8" ODS extensions
V34211	V34311	-----	-----	3-1/8" ODS extensions



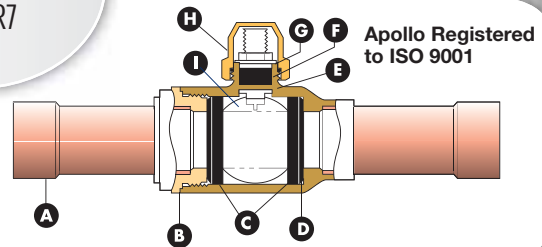
stainless steel  
ACTUATORS  
PRESSURE TO 700 PSI  
UL LISTED 32DC

BRASS ACTUATORS  
PRESSURE TO 500 PSI  
UL LISTED 57R7

### "BRASS" BALL VALVE FEATURES

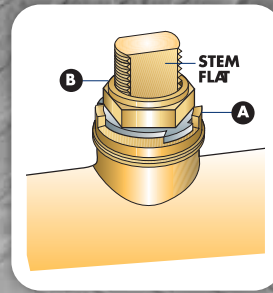
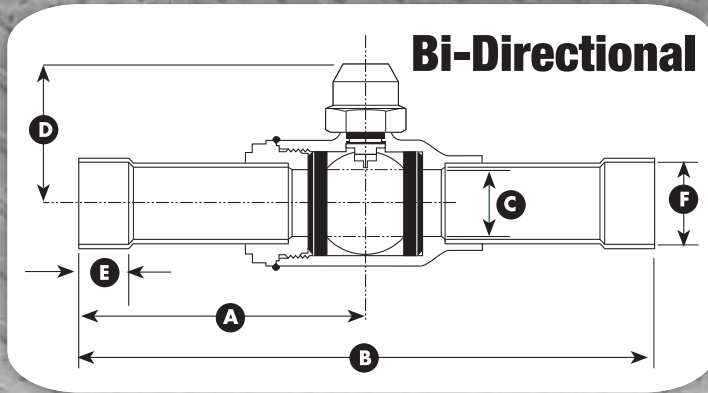


- A. COPPER TUBE EXTENSIONS
- B. HERMETIC WELDED AND BRAZED JOINTS
- C. REINFORCED TEFLON\* SEATS
- D. ONE PIECE FORGED BRASS BODY
- E. BEARING WASHER
- F. CHANGEABLE REINFORCED PTFE STEM PACKING
- G. PACKING GLAND
- H. STEM CAP ASSEMBLY WITH NEOPRENE SEAL
- I. CHROMIUM PLATED BALL WITH VENTED VALVE



- 500 PSI WORKING PRESSURE
- UP TO +500° F WORKING TEMPERATURE AT 0 PSI
- UP TO +300° F WORKING TEMPERATURE AT 500 PSI
- NO BOLTED OR SCREWED BONNETS OR FLANGES TO LEAK

# REFRIGERANT BALL VALVES



## Operation

A. Quarter turn mechanical stop. Positive open and closed positions.  
B. Packing gland adjusting nut.

Part No.	O.D. Tube Size	Cv(1)	Equivalent Length (2)	Reference dimensional data					
				A	B	C	D	E	F
V34200 V34400	3/8"	2.9"	10.8"	3.18"	6.09"	.3"	1.55"	3/8"	3/8"
V34201 V34401	1/2"	5.6"	13.3"	3.18"	6.09"	.45"	1.55"	3/8"	1/2"
V34202 V34402	5/8"	13.1"	10.4"	3.43"	6.59"	.5"	1.55"	1/2"	5/8"
V34203 -----	3/4"	-----	-----	3.45"	7.27"	.69"	1.89"	3/4"	3/4"
V34204 V34404	7/8"	31.9"	11.2"	3.69"	7.07"	.75"	1.83"	3/4"	7/8"
V34206 V34406	1-1/8"	68"	10.7"	4.20"	8.00"	1.00"	2.01"	2-9/32"	1-1/8"
V34207 V34407	1-3/8"	109"	11.6"	4.54"	8.63"	1.25"	2.61"	3-1/32"	1-3/8"
V34208 V34408	1-5/8"	152"	13.2"	4.47"	8.85"	1.5"	2.79"	1-3/32"	1-5/8"
V34209 V34409	2-1/8"	275"	15.1"	4.84"	9.59"	2.00"	3.17"	1-11/32"	2-1/8"
V34210 -----	2-5/8"	349"	21.1"	5.00"	10.00"	2.43"	3.90"	1-31/64"	2-5/8"
V34211 -----	3-1/8"	391"	30.1"	7.00"	14.00"	2.50"	3.90"	1-43/64"	3-1/8"

1. This is the most commonly used flow coefficient used by piping engineers in the design of piping systems. It is defined as "the number of US gallons of water per minute at 70° F (21° C) that will flow through a valve at a pressure drop (P1-P2) of 1 psi."

2. Most engineers, contractors, and others engaged in the layout and installation of refrigeration and/or air conditioning systems will normally use the "equivalent length" method of determining the pressure drop through the systems. Since proper line sizing is critical to all installations, it is important to be able to determine the pressure drop through each component that makes up the system. "Equivalent length" figures are readily available through a number of sources for fittings, valves, etc.

## Refrigeration Shut-Off Ball Valves

Ideal for building your own vacuum or charging system, our straight through flow design has no restriction. A quarter turn and the valve is fully open or closed.

PART NO.	DESCRIPTION
V34900	1/8" FPT x 1/8" FPT
V34910	3/8" FPT x 3/8" FPT



PART NO.	DESCRIPTION
V34901	1/4" SAE x 1/8" MPT
V34905	1/4" SAE x 1/4" MPT



## Needle Valves

The packing used in the needle seat valves is resistant to gasoline, oils, and water while providing excellent sealing characteristics over the life of the valve. Metal to Metal seating provides ease in shut-off to working pressures of 105 psi.

## Comp x Comp

PART NO.	DESCRIPTION
NV62-4	1/4" X 1/4"





in exclusive  
partnership with

**ROTHENBERGER**  
pipetool technologies at work

The partnership of **ROTHENBERGER** and JB brings together the best of German engineering and European craftsmanship with American distribution to create the highest quality tools in the HVAC/R marketplace.

**ROTHENBERGER** tools are made of the highest quality materials and to the strictest quality standards to ensure that these tools will not fail when you need them the most. Backed by a 24 month over-the-counter warranty, JB and **ROTHENBERGER** are dedicated to standing behind their products. We have seen a tremendous growth and acceptance in the marketplace. Through the JB distribution channel, **ROTHENBERGER** is now available in over 900 HVAC/R branch locations nationwide. Once you get your hands on these tools, you can immediately feel the quality and see why **ROTHENBERGER** tools are Just Better. We are proud to present our collection for your review. Should you not see a particular tool of interest, please contact us at 800-323-0811. The entire **ROTHENBERGER** product line and technical features can be viewed at our web site [www.jbind.com](http://www.jbind.com).

**24 MONTH  
WARRANTY**

## Mini Tube Cutters

Used for cutting copper tubes, these mini tube cutters have a large knurled knob and handy design to produce fatigue-free pressure control. The two guide rollers with recess assist with cutting close to flares. Compatible with Yellow Jacket 60120 cutting wheels.



**RT70401/  
RT70402**



**RT70105**



**RT70015**

PART NO.	DESCRIPTION
RT70401	Copper 1/8" to 5/8" OD
RT70402	Copper 1/4" to 7/8" OD
RT70105	Copper MINICUT 1/8" to 7/8" OD
RT70015	Copper MINI MAX 1/8" to 1-1/8" OD
RT70017B	Replacement cutter wheel (2 pack)
RT70017D	Replacement cutter wheel (5 pack)

## ROTRAC PLUS

New JB precision tube cutters for copper tube are manufactured by **ROTHENBERGER** for JB and designed with smooth-running telescopic action for a consistent working radius. Features include a rolling stop which protects the cutter wheel, a protected screw spindle to shield against dirt and jamming, and a lightweight cast aluminum body. The deburrer swivels up, and the spare cutter wheel is stored in the handle, making them always within reach. Compatible with Yellow Jacket 60120 cutting wheels.



PART NO.	DESCRIPTION
RT70020	Copper tube 1/8" to 1-1/8" OD
RT70021	Copper tube 1/4" to 1-5/8" OD
RT70007B	Replacement cutter wheel (2 pack)
RT70007X	Replacement cutter wheel (10 pack)
RT99016	Replacement clip and axle

## Professional Tube Cutter

For tubes made out of copper, brass, aluminum, this tube cutter features a retractable deburrer blade and a spare cutter wheel in the handle. The smooth adjustment knob allows for quick adjustment. Compatible with Yellow Jacket 60124 cutting wheels.



PART NO.	DESCRIPTION
RT70027	1/4" to 1-3/8" OD copper, aluminum pipe
RT70029	1/4" to 1-5/8" OD copper, aluminum pipe
RT21652B	Replacement deburring blade (10 pack)
RT70017B	Replacement cutter wheel (2 pack)
RT70017D	Replacement cutter wheel (5 pack)
RT70056D	Replacement cutter wheel for stainless steel (5 pack)



# TUBING TOOLS

## Ratchet Tube Cutter

For copper, brass, aluminum, thin-walled steel, and plastic coated tubes, this ratchet tube cutter has a retractable internal deburring tool and spare cutter wheel in the handle so they are always within reach. The ratchet telescopic guide with automatic spring-driven withdrawal allows for quick adjustment and fast opening. RT70030 is compatible with Yellow Jacket 60120 cutting wheels.



PART NO.	DESCRIPTION
RT70030	1/8" to 2-5/8" OD
RT70142	2" to 5" OD
RT70017B	Replacement cutter wheel for RT70030 (2 pack)
RT70017D	Replacement cutter wheel for RT70030 (5 pack)
RT70057D	Replacement cutter wheel for RT70142 (2 pack)
RT21652B	Replacement deburring blade (10 pack)

## Chain Tube Cutter

For copper, brass, aluminum, thin-walled steel tubes, and plastic coated tubes 1" to 2" OD. The stable chain with 15 mini cutter wheels has a two-step adjustment. Ideal for working in confined spaces like parallel-running tubes.



PART NO.	DESCRIPTION
RT70285	1" to 2" OD chain tube cutter
RT70286	Replacement cutter wheel chain

## Pipe Slice

Cut tubes with less turns with this tube cutter. The self-clamping and self alignment feature make readjustment unnecessary. Ideal for those hard to reach places. Made of cast aluminum.



PART NO.	DESCRIPTION
RT88807	Nominal 3/8" OD 1/2"
RT88810	Nominal 1/2" OD 5/8"
RT88808	Nominal 5/8" OD 3/4"
RT88802	Nominal 3/4" OD 7/8"
RT88814	Nominal 1" OD 1-1/8"

## PLASTICUT PEX CUTTER

For cutting pipes made of MDPE, PE, PP, HEP20, P-EX. This cutter is ideal for use in confined spaces. The unique, patented design cuts clean and square using no force to operate. The lightweight, simple to use tool is highly efficient with no moving parts.



PART NO.	DESCRIPTION
RT59060	1/2" PlastiCut PEX cutter
RT59070	3/4" PlastiCut PEX cutter
RT59080	1" PlastiCut PEX cutter
RT59000	Replacement Blades for 1/2" and 3/4"
RT59001	Replacement Blades for 1"

## Steel Pipe Cutters

The easy pressure control of our pipe cutters yields optimum force transmission onto the tube. The burr-free external cutting action makes it possible to thread without deburring. Wide rollers securely guide the cutter wheel on the tube. For 1/8" to 4" OD steel pipe.



PART NO.	DESCRIPTION
RT70045	1/8" to 2" OD steel pipe cutter
RT70060	2" to 4" OD steel pipe cutter
RT70051D	Replacement cutter wheel RT70045 (3 pack)
RT70061D	Replacement cutter wheel RT70060 (2 pack)

## ROCUT 63 Pipe shears

For precise cutting of PVC, PP, PE, PEX, PB, CPVC, and PVDF, our pipe shears are the finest you can find. The rugged precision shears for effortless cutting of plastic pipes. The double-sided blade and ratchet support apply precise force transfer as well as precise guided cutter feed. The shears feature a stainless steel blade with a v-edge that offers pin-point precision without deformation of pipe. The ideally meshed cutting curve allows for minimum effort. The shear arms lock for transport.



PART NO.	DESCRIPTION
RT52030	For 2" PVC Max OD 2-1/2"
RT50063	Replacement blade for RT52030

# TUBING TOOLS

DEEP VACUUM

CHARGING EQUIPMENT

GAUGES

HOSES

ACCESS VALVES

TOOLS & ACCESSORIES

BRASS FITTINGS

REPAIR PARTS

INDEX

## Pipe Shears

For precise cutting of PVC, PP, PE, PEX, PB, CPVC and PVDF, our pipe shears are the finest you can find. The quick release lever provides automatic opening of the blade at the push of a button. A double-sided stainless steel blade with v-shaped edges pierce the pipe to prevent deformation. The wide pipe rest ensures a square cut every time. A locking lever secures the blade during transport.

RT52010

RT52000



PART NO.	DESCRIPTION
RT52000	Max. OD 1-5/8", Sched. 40 PVC 1-1/4"
RT52010	Max. OD 2", Sched. 40 PVC 1-1/2"
RT52011	Replacement blade for RT52010
RT52042	Replacement blade for RT52000

## Deburring Tools

Internal/External deburring tools for copper and plastic tubes.



RT11006



RT70075



RT21660

RT21655

PART NO.	DESCRIPTION
RT11006	Copper and stainless steel internal/external reamer 1/8" to 1-5/8" OD
RT70075	Copper and stainless steel internal/external reamer 1/8" to 2" OD
RT21660	Deburring tool (blade non-replaceable)
RT21655	Deburring tool
RT21652B	Replacement deburring blade for RT21655 (10 pack)

## RO-GRIP

### RT70558

With a perfect grip and better leverage, our self-adjusting pliers offer many advantages over conventional pliers. Made of drop forged chrome vanadium steel, the rhombus-shaped jaws securely grab round, hex, sheets, and other shapes up to 1-5/8" OD.



RT70558

## ROLOCK

Professional-grade water pump pliers with a jaw locking system providing a secure grip on round, square, or hex-shaped items with a push of a button. The ROLOCK has 14 groove opening positions with an opening capacity of 2-1/3".



RT70533

PART NO.	DESCRIPTION
RT70531	ROLOCK 7"
RT70532	ROLOCK 9"
RT70533	ROLOCK 12"

## WATER PUMP PLIERS

Complies with DIN 5321 D, these pliers are made with heavy-duty box joint, chrome vanadium steel, drop forged, tempered, and polished head and joint. The longer, thinner pliers with measurements for corners are ideal for hard to reach places. The self-clamping jaws will not slip, even on smooth surfaces.



PART NO.	DESCRIPTION
RT70521	7" Pliers Max. 1" OD
RT70522	10" Pliers Max. 1-1/4" OD
RT70523	12" Pliers Max. 1-1/2" OD

## Pipe Wrenches

Monoblock cast body with high strength, double T profile, these wrenches feature a forged jaw and hook, fine-polished teeth set against turning direction, anti-slip adjustment screw and spring supported hook. With features similar to the Heavy-duty style, the aluminum wrenches are made of high strength alloy and 40% lighter. Both styles conform to US Standard GGG-W-651 Type 1 Class A (Class B for Aluminum).



PART NO.	DESCRIPTION
RT70150	8" Heavy-duty Wrench Max. 1" OD
RT70151	10" Heavy-duty Wrench Max. 1-1/2" OD
RT70152	12" Heavy-duty Wrench Max. 2" OD
RT70153	14" Heavy-duty Wrench 2" OD
RT70154	18" Heavy Duty Wrench Max. 2-1/2" OD
RT70159	10" Aluminum Wrench Max. 1-1/2" OD
RT70160	14" Aluminum Wrench Max. 2" OD
RT70161	18" Aluminum Wrench Max. 2-1/2" OD

## Chain Pipe Wrench

### RT70235

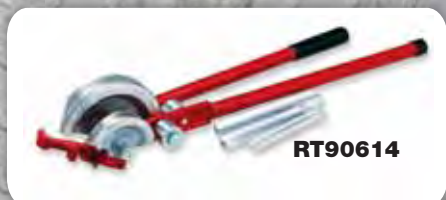
With a double-sided teeth surface set against turning direction, this chain pipe wrench works in both directions without re-inserting. The wrench is 12" with a maximum OD of 4".



## Hand Tube Bender

### RT90614

This universal hand bender provides bending of 1/2", 5/8", 3/4" and 7/8" OD soft copper, aluminum, and light grade stainless steel tubing.



## ROBEND® H+W PLUS

### RT24504

For exact cold bending up to 180° of soft and hard copper, thin-walled coated copper, aluminum and brass, precision steel, and coated, seamless stainless steel tubes. Unique design provides bending



without deforming the pipe. Guide shoes and formers are anti-stick for less friction and bending effort. Base plate can be attached to vice for easy, free-hand bending. Set includes bending spray, 1/2", 5/8", 7/8" formers and steel carry case.

## MINIBEND® Tube Bender

### RT25151

For exact, two-handed bending up to 180° for tubes made out of soft copper, brass, aluminum, and precision steel. 1/4", 5/16", and 3/8" OD.



## Standard Tube Bender

For exact bending radius up to 180° for tubes made up of soft copper, aluminum, and precision steel. The light construction results in fatigue-free hand operation. The clamp mechanism better holds the tube and enables the bending of even the shortest of tube pieces. The Tube Bender Pro is for 1/2" and 3/4" semi-hard and hard copper pipes and features a case iron body for longer life along with self adjusting shoe.



PART NO.	DESCRIPTION
RT25140	1/4" OD Radius (0.71")
RT25131	5/16" OD Radius (0.95")
RT25141	3/8" OD Radius (1.18")
RT25913	Tube Bender Pro 1/2" OD Radius
RT25914	Tube Bender Pro 3/4" OD Radius
RT25142	3/4" OD Radius
RT25136	5/8" OD Radius (2.28")

DEEP VACUUM

CHARGING EQUIPMENT

GAUGES

HOSES

ACCESS VALVES

TOOLS & ACCESSORIES

BRASS FITTINGS

REPAIR PARTS

INDEX

# TUBING TOOLS

## Tube Bender Set

**RT24134**

The ratchet feed of this tube bender is ideal for rapid, exact bending of small diameter soft copper and aluminum up to 90°. Designed for one hand operation, the compact design fits in even the tightest spaces. The open bending frame allows for the production of repeated alternate angled bends. Set includes bending tool, formers for ODs of 1/4", 5/16", 3/8", 1/2", and steel case.



**RT24134**

## MAXI Tube Bender Set

**RT23022X**

The smooth-running feed lever of this tube bender makes it ideal in restricted spaces and one-handed operations. The side lever allows for quick release and reset of bending former. The pliers feature a bayonet catch to easily change bending formers. The open bending frame makes it possible to repeatedly produce alternate angled bends. The set consists of the basic tool, bending support, bending formers, and steel case. For use on copper and soft aluminum 3/8", 1/2", 5/8", 3/4", and 7/8" OD.



**RT23022**

## Pinch-Off Tool

**T21294**

This plier-type pinch-off tool temporarily closes off line while making repairs. The quick release trigger and rounded jaws prevent cutting while allowing for reopening and rounding using a standard flare bar. For 1/8" to 5/8" OD (1/8" to 1/2" Nominal).



## Spring Type Tube Bender

Ideal for irregular bends, these spring type benders are available in single springs and packaged sets. Used for soft copper, aluminum, brass, and steel.



## Packaged sets

PART NO.	DESCRIPTION
BS-55	1/4", 5/16", 3/8", 1/2", and 5/8" in pouch
BS-77	All seven sizes in pouch

## Single springs

PART NO.	TUBE O.D.	NOM
BS-4	1/4"	1/8"
BS-5	5/16"	
BS-6	3/8"	1/4"
BS-7	7/16"	
BS-8	1/2"	3/8"
BS-10	5/8"	1/2"
BS-12	3/4"	5/8"

## Single Size Swage Size stamped OD and Nominal



PART NO.	TUBE O.D.
T21002	1/8"
T21003	3/16"
T21004	1/4" Nom. 1/8"
T21005	5/16"
T21006	3/8" Nom. 1/4"
T21007	7/16"
T21008	1/2" Nom. 3/8"
T21010	5/8" Nom. 1/2"
T21012	3/4" Nom. 5/8"
T21014	7/8" Nom. 3/4"
T21018	1-1/8" Nom. 1"

## Packaged Set T21024

Packaged swage set. Tube OD 1/4", 3/8", 1/2", and 5/8". The nominals are 1/8", 1/4", 3/8", and 1/2".

DEEP VACUUM

CHARGING EQUIPMENT

GAUGES

HOSES

ACCESS VALVES

TOOLS & ACCESSORIES

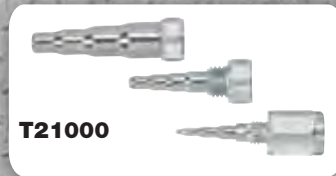
BRASS FITTINGS

REPAIR PARTS

INDEX

## Multi-Swage T21000

T21000 consists of three pieces that work with OD sizes including 3/16", 3/4", and 7/8" producing perfect solder cups for 9 OD tube sizes. OD sizes are 3/16", 1/4", 5/16", 3/8", 7/16", 1/2", 5/8", 3/4", and 7/8". Nominal 1/8", 1/4", 3/8", 1/2", 5/8", and 3/4".



**T21000**

## Multi-Swage T20095



Handy all-in-one tool. T20095 is a single piece that works with 1/4", 5/16", 3/8", 7/16", 1/2", and 5/8" OD.



**T20095**

## 45° Flare/Swage T20275

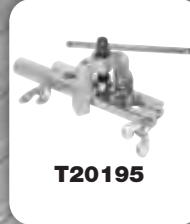
Heavy-duty wide-range bar type flaring tool. The rugged, forged steel slip-on self centering yoke has a hardened chrome plate swivel type cone to form quality flares with minimal effort. Hardened bars provide positive clamping action with minimum distortion and are fully hinged with king-sized forged steel wing nuts for easy use. The second bar extends our flaring tool to 9 OD tube sizes.



**T20275**

PART NO.	TUBE O.D.	NOM
T20275	<b>Flare:</b> 1/8", 3/16", 1/4", 5/16", 3/8", 7/16", and 3/4"	<b>Nominal Flare:</b> 1/8", 1/4", 1/2", 5/8"
	<b>Swage:</b> 3/16", 1/4", 5/16", 3/8", 1/2", 5/8", and 3/4"	<b>Nominal Swage:</b> 1/8", 1/4", 3/8", 1/2", and 5/8"

## Flaring Tools



**T20195**



**RT222402**



**RT222601**

PART NO.	TUBE O.D.
T20195	3/16", 1/4", 5/16", 3/8", 7/16", (nom. 1/8", 1/4", 3/8", and 1/2")
T20203	5/8", 3/4", 7/8", and 1-1/8" OD
T20500	3/16", 1/4", 5/16", 3/8", 1/2", and 5/8" OD
RT222402	1/8", 1/16", 1/4", 5/16", 3/8", 1/2", 5/8", 3/4" OD
RT222601	Adjustable from 3/16" to 5/8" OD

## 45° Flaring Tool



### RT26036 SINGLE FLARE

For making precise 45° flares on copper, brass, aluminum, and precision steel tubes up to 0.04" (1 mm) in wall thickness. The special screw thread allows proper, efficient handling of material. The "Multiblock" multi-clamping calipers provide a firm, quick off-center clamping of the tube and automatic self-centering. Flares 3/16", 1/4", 5/16", 3/8", 1/2", and 5/8".



**RT26036**

## Swaging Kit

### RT26715

For precise 45° single flares and sockets on copper, brass, aluminum, and steel tubes. Set includes flaring tool, 45° cone, expander pin, internal/external deburrer, tube cutter, and plastic case. Includes swages for 3/16", 1/4", 5/16", 3/8", 1/2", and 5/8".



**RT26715**

# TUBING TOOLS

## Tee Extractor Set

**RT22124**

Extract your own tees on soft, semi-hard and hard copper or aluminum and save time and money saved on T-pieces. The ergonomic, compact design fits into the tightest spaces. The set includes tee-extractors for 1/2", 5/8", 7/8" and 1-1/8", ratchet handle, cam pincer, high-speed drill, and steel case.



## SUPER CUT ratchet Hand Threader

**RT70905X**

Precision thread cutting 1/4" to 2" diameter to approved standards. Slim and compact shape with excellent overall size requiring an angle of 22.5° to reach those difficult positions. The quick change die heads have a positive octagonal universal drive for a secure hold. The long pipe guide results in perfect centering. Set includes ratchet handle, die heads for 1/2", 3/4", 1", 1-1/4", 1-1/2", and 2" NPT for steel pipe, and plastic case.



## Tube Expander Kit

**RT12318**

The high strength, forged aluminum body make for lower weight and easy handling of our expander set. The longer lever arms reduce effort and the automatic pin guide retracts for faster operation. The set includes expander with riveted expander heads in 3/8", 1/2", 5/8", 3/4", 7/8", and 1-1/8", internal/external deburring tool, steel case. Replacement heads are interchangeable with Yellow Jacket and Ridgid tube expanders.



## SUPERTRONIC 1250

This power threader features a heavy-duty helicoidal power transmission for 50% longer life. The Supertronic 12500 is constructed of durable, lightweight aluminum body and heavy-duty fiberglass reinforced plastic motor covers. Our electrical reverse reduces weight and increases portability. Maximum threading capacity of 1-1/4" is perfect for maintenance, repair, gas lines, and boiler installations. The set includes 1/2", 3/4", 1", and 1-1/4" die heads.



## PEX Crimper combo

**RT12428**

Constructed of hardened steel with Ultra-Lite fiberglass reinforced handle, this PEX crimper is ideal for making copper crimp ring connections in potable water and radiant heating applications. Each tool is supplied with a go/no go gauge. The crimp cavity does not skive the copper ring or cause it to fishtail during crimping process. Glass-filled composite handles reduce fatigue especially when working overhead. Minimal calibration adjustments. Meets ASTM F1807 Specifications. 1/2" and 3/4".



## Ropress press tools

### CORDED AND CORDLESS PRESS TOOL

Redesigned for 2010, the ROPRESS is a 12-ton dieless state-of-the-art crimping tool. The dieless tool greatly simplifies the crimping of color coded lugs and splices. There are no dies to select. Featuring a 24,000 pound crimp force and weighing 15 pounds, both the corded and cordless versions offer maximum force with minimal effort. The Cordless ROPRESS has a 18 volt Lithium-Ion battery that lasts longer than NiMH batteries and weighs less. Interchangeable crimping jaws are flexible and cost effective. The LED display shows tool information while the sleek lightweight pistol design offers effortless repeated crimping. The Corded ROPRESS requires no batteries and delivers the same quality crimping as the cordless version. Both tools are compatible with Viega, Elkhart and NIBCO press fittings. Please see Information Sheets under the Technical section at [www.jbind.com](http://www.jbind.com) to view compatibility statements from each company. Press rings are available in 2-1/2", 3", and 4" upon request.



PART NO.	DESCRIPTION
RT16101	Cordless Tool only NO jaws
RT16102	Cordless Tool, 6 copper jaws 1/2", 3/4", 1", 1-1/4", 1-1/2", and 2", battery and charger
RT16201	Corded Tool, NO jaws
RT16202	Corded Tool, 6 copper jaws 1/2", 3/4", 1", 1-1/4", 1-1/2", and 2"
RT15222X	Press Jaw 1/2" copper
RT15223X	Press Jaw 3/4" copper
RT15224X	Press Jaw 1" copper
RT15225X	Press Jaw 1-1/4" copper
RT15226X	Press Jaw 1-1/2" copper
RT15227X	Press Jaw 2" copper
RT52176	18V Lithium Battery, 3 amp
RT52178	18V Lithium Battery Charger 120 V

## ROPRESS COMPACT

### COMPACT CORDLESS PRESS TOOL

The ROPRESS Compact light-weight, battery-powered press tool weighs only 5.4 lbs and connects 1/2", 3/4", and 1" copper tube and fittings in about 6 seconds. The slim profile allows one hand operation of the tool leaving the other hand free to hold and position the fitting. The 350° rotation of the jaw fixture and slim design easily reaches into tight spaces. When a press is complete, the jaws automatically release signaling the tool is ready for the next press. The ROMAX Pressliner is compatible with Viega, Elkhart, and NIBCO press fittings. Please see Information Sheets under the Technical section at [www.jbind.com](http://www.jbind.com) to view compatibility statements from each company.



PART NO.	DESCRIPTION
RT16001	Compact Tool only NO jaws
RT16002	Compact Press Tool, 3 copper jaws 1/2", 3/4", 1", battery, charger
RT15031V	Compact Press Jaw 1/2" copper
RT15032V	Compact Press Jaw 3/4" copper
RT15033V	Compact Press Jaw 1" copper
RT52176	18V Lithium Battery, 3 amp
RT52178	18V Lithium Battery Charger, 120V

## Fin Straighteners

T20352 Stainless steel fin straightener.

T20351 For 8, 9, 10, 12, 14, and 15 spacings per inch.

T20353 Stainless steel fin straightener with larger, easy to grip handle.



# TUBING TOOLS

DEEP VACUUM

CHARGING EQUIPMENT

GAUGES

HOSES

ACCESS VALVES

TOOLS & ACCESSORIES

BRASS FITTINGS

REPAIR PARTS

INDEX

## Braze-Rite Adapter

BRZ1000



Nitrogen purging adapter for ACR pipe. Quickly connects to manifold gauge hose, and slips easily and securely into pipe. Allows for bleed of nitrogen through pipe being brazed, keeping the pipes clean and oxide-free. Stepped to fit most common ACR pipe sizes, making it fast to go from one tube to the next. Saves time and money and helps maintain equipment manufacturer's system performance and installation guidelines. No more duct taping your hose to the pipe!



## gas test gauge

To test system pressure for leaks in new installs, use these 3" easy to read test gauges. Fits 3/4" and 1" pipes.



PART NO.	DESCRIPTION
----------	-------------

- |         |                                     |
|---------|-------------------------------------|
| GTBG-12 | 3-1/2" Test gauge 0-30 lb. 3/4" end |
| GTBG-16 | 3-1/2" Test gauge 0-30 lb. 1" end   |

## Oil Transfer Pump

T30251

Designed to pump oil into the system while unit is operating without shutting down for charging. Smoothly pumps oil into the compressor on the down stroke while system is under pressure resulting in easier pumping on the positive stroke. The universal tapered rubber adapter is designed to fit all 1, 2-1/2, and 5 gallon containers without additional adapters. Works against 200 psi of pressure and is compatible with all oil types including synthetic, mineral, and polyol ester. Pumps 2.6 ounces (78 ml) per stroke.



T30251

## Service wrenches

Double end reversible ratchet wrenches feature accurately broached multiple openings and offer the greatest number of uses in a single unit. Choose offset or hex and square ends. Items ending in "U" denote Made in the USA



PART NO.	DESCRIPTION
----------	-------------

- |         |  |
|---------|--|
| T21124  | 3/16", 1/4" square end and 1/2", 9/16" hex port end    |
| T21127  | 3/16", 1/4", 5/16", and 3/8"                           |
| T21127U | 1/2", 3/16" on one end 3/8", 5/16" on other end        |
| T21126U | Offset 1/2", 3/16" on one end 3/8", 5/16" on other end |
| T21125U | 3/8" square end and 1/2" square end                    |

## Gas Pressure Test Kit

This diaphragm gauge scale comes complete in case with hose and hook-up fitting.



## HEX KEY ADAPTER

T2-HKA

Heat treated black oxide plated hex key adapter for accessing liquid and suction based valves. Works for 3/16" and 5/16" hex valves.



## Steel Strap

Our Steel Straps are zinc plated and alternate between nail and bolt holes.



PART NO.	DESCRIPTION
----------	-------------

- |       |  |
|-------|--|
| 29435 | Natural and LP gases. Scales 0-20 oz/sq. in; 0-35" of water column |
| 29436 | Natural gas only. Scales 0-6 oz/sq. in; 0-10" of water column      |

PART NO.	DESCRIPTION
----------	-------------

- |       |                         |
|-------|-------------------------|
| PS-10 | 10' (3 m) steel strap   |
| PS-25 | 25' (7.6 m) steel strap |
| PS-50 | 50' (15 m) steel strap  |



## Acid Brushes

Our acid brushes are ideal for thread sealant, flux, and past solders. Made of 100% long and stiff horsehair bristles that are evenly placed and securely crimped into tinned acid-resisting handles.



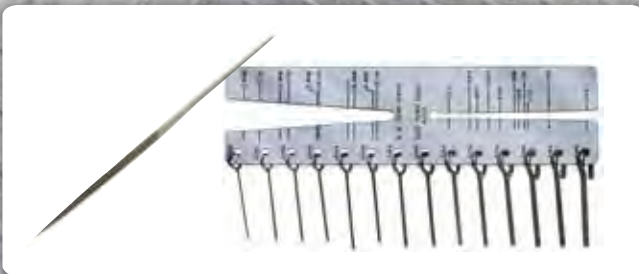
PART NO.	DESCRIPTION
C33804	1/4" flux brush (12 pack)
C33808	1/2" flux brush (10 pack)
C33808-CTN	1/2" flux brush (144 bulk)

## Gauge File and Cutting Tool

### A10971 cap tube and file in pouch

### A10972 cap tube file

Precision engineered with stainless steel wire plugs. Features a specially designed file to cut and open tubes. The numbers are etched in black for better legibility. Fourteen ID sizes from 0.026 to 0.090 and Twenty-two OD sizes from 0.072" to 7/16" (5 to 12 mm). Use both the ID and OD calibrations to correctly determine tube size. Place tube in "V" slot to measure OD. Pin gauge measures ID. The cap tube file is designed to cut and open the tube by filing a notch around the tubing at desired cutting point. Snap tube by bending at the notch and clean burrs by reaming out with the special file tip.



## Cap Tube Cutting Tool

### A10973

The sturdy design of our cap tube cutter results in no collapsing of the tube, clean cuts, and no chips.



## Capillary Tubing

Short coils are boxed with application charts. Cut from 100' (30.5 m) sealed and dehydrated tube.

S/B 100' (30.5 m) Coils are boxed with conversion and application charts.



Available in cartons of 10. Add suffix -101 to part number.



SHORT COIL	100' COILS	DESCRIPTION
TC-26-16	TC-26-100	0.026 ID x 0.072 OD x 16' (BC-5, GC-5)
TC-31-12	TC-31-100	0.031 ID x 0.083 OD x 12' (BC-1, GC-1)
TC-36-12	TC-36-100	0.036 ID x 0.087 OD x 12' (GC-6)
TC-42-12	TC-42-100	0.042 ID x 0.093 OD x 12' (BC-2, GC-2)
TC-44-12	TC-44-100	0.044 ID x 0.109 OD x 12'
TC-49-11	TC-49-100	0.049 ID x 0.099 OD x 11' (BC-3, GC-3, GC-7)
TC-50-11	TC-50-100	0.050 ID x 0.114 OD x 11'
TC-54-11	TC-54-100	0.054 ID x 0.106 OD x 11' (GC-8)
TC-55-11	TC-55-100	0.055 ID x 0.125 OD x 11'
TC-59-10	TC-59-100	0.059 ID x 0.112 OD x 10'
TC-64-10	TC-64-100	0.064 ID x 0.125 OD x 10' (BC-4, GC-4)
TC-70-12	TC-70-100	0.070 ID x 0.125 OD x 12' (GC-9)
TC-75-9	TC-75-100	0.075 ID x 0.125 OD x 9' (GC-10)
TC-80-10	TC-80-100	0.080 ID x 0.145 OD x 10' (GC-11)
TC-85-9	TC-85-100	0.085 ID x 0.145 OD x 9' (GC-12)
TC-90-7	TC-90-100	0.090 ID x 0.145 OD x 7'
TC-100-10	TC-100-100	0.100 ID x 0.156 OD x 10'

Pressure/ Temperature charts can be found on our website at [www.jbind.com](http://www.jbind.com) under Instruction Sheets. Please see the Copper Capillary Tubing section for the conversion charts.

## Cap tube length conversion chart

Part No.	TC-26	TC-31	TC-36	TC-42	TC-44	TC-49	TC-50	TC-54	TC-55	TC-59	TC-64	TC-70	TC-75	TC-80	TC-85	TC-90
Tube ID	0.026 ID	0.031 ID	0.036 ID	0.042 ID	0.044 ID	0.049 ID	0.050 ID	0.054 ID	0.055 ID	0.059 ID	0.064 ID	0.070 ID	0.075 ID	0.080 ID	0.085 ID	0.090 ID
0.024	1.44															
0.025	1.20															
0.026	1.00															
0.028	0.72	2.24														
0.030	0.52	1.59														
0.031	0.45	1.16														
0.032		1.00														
0.033		0.86	2.00													
0.034		0.86	1.75													
0.035		0.50	1.54													
0.036		0.65	1.35													
0.037		0.58	1.16	2.31												
0.038		0.50	1.00	2.10												
0.039		0.45	0.90	1.79	2.22											
0.040		0.39	0.80	1.59	1.92											
0.041		0.31	0.71	1.41	1.75											
0.042		0.28	0.62	1.25	1.55	2.51										
0.043		0.25	0.56	1.12	1.38	2.26										
0.044		0.23	0.50	1.00	1.24	2.03	2.50									
0.045		0.20	0.45	0.87	1.11	1.83	1.98									
0.046			0.39	0.81	1.00	1.62	1.79									
0.047			0.35	0.73	0.90	1.47	1.60	2.32								
0.048			0.32	0.67	0.82	1.34	1.47	2.08	2.27							
0.049				0.59	0.74	1.20	1.31	1.89	2.06							
0.050				0.54	0.67	1.10	1.20	1.72	1.87							
0.051				0.49	0.61	1.00	1.09	1.55	1.69							
0.052				0.45	0.56	0.91	1.00	1.43	1.56	2.14						
0.053				0.41	0.51	0.84	0.90	1.31	1.44	1.96						
0.054					0.47	0.76	0.85	1.19	1.32	1.78						
0.055					0.43	0.69	0.78	1.09	1.20	1.64						
0.056					0.39	0.65	0.70	1.00	1.09	1.52	2.18					
0.057					0.36	0.59	0.64	0.92	1.00	1.38	2.00					
0.058						0.54	0.60	0.85	0.94	1.27	1.85					
0.059						0.50	0.55	0.79	0.87	1.17	1.72					
0.060						0.46	0.51	0.73	0.80	1.07	1.56					
0.064						0.42	0.47	0.67	0.73	1.00	1.44	2.18				
0.070						0.39	0.43	0.62	0.67	0.93	1.33	2.04				
0.075							0.32	0.47	0.50	0.69	1.00	1.50	2.07			
0.080								0.30	0.33	0.46	0.67	1.00	1.37	1.84		
0.085											0.48	0.73	1.00	1.37	1.75	
0.090												0.54	0.74	1.00	1.32	1.71
0.095													0.57	0.76	1.00	1.29
0.100													0.43	0.62	0.76	1.00
0.105														0.46	0.60	0.79
															0.48	0.62
																0.49

### To Use Chart

1. Locate recommended cap tube ID in left column
2. Read across and find conversion factor under copper cap tube size
3. Multiply the given length of the cap tube by the conversion factor
4. The resultant length of the cap tube will give you the same flow characteristics as the original recommended cap tube.

EXAMPLE: Locate 0.040 in left hand column and reading across gives the following conversion factor: No. TC-36 cap tube (0.036 ID) -0.62 and No. TC-42 cap tube (0.042 ID) -1.25. Multiply the recommended cap tube length of 9' by the conversion factor gives the following results: 5.5' - 0.036 ID and 11.25' - 0.042 ID. Either of these two cap tubes will give the same results as the original cap tube of 9' -0.040 ID.

Every precaution should be taken to prevent chips, dirt, flux, moisture, etc., from entering the system when changing the cap tube. Most cap tube has very small holes that do not require much debris to plug flow.

The size of the cap tube is critical to its application. While some variation from the ideal can be tolerated, it is important to understand those factors which the service engineer can control. Unlike orifices such as expansion valve seats, capillary tubing depends on its length as well as its diameter to determine the total restriction. A change in diameter on a percentage basis, can change the flow more than an equal change in length. For example, changing the diameter by 0.005" as between 0.026" ID and 0.031" ID can double the flow.

The length of the cap tube is the one factor over which the service engineer has the easiest and most immediate control. The best known method of changing the restriction of a cap tube is to change its length. Cut off a piece and its restriction is reduced. Substitute a longer tube and increase the restriction. However, there are factors that are not generally understood that limit the amount of lengthening or shortening.

As a general rule, keep the cap tube no shorter than 5 feet and no longer than 16 feet to eliminate many problems. Only plug drawn capillary tubing should be used in refrigeration and air conditioning application. JB capillary tubing is drawn to a plus or minus 0.001" on the ID, the finest attainable. Therefore, we recommend using JB cap tubing and the application charts included in the packaging.

The "Capillary Tubing Length Conversion Chart" was developed to enable users of capillary tubing to use standard tubing sizes which are widely available. While many OEMs recommend specific lengths and diameters of cap tube for their units, these tube sizes are not always readily available and may have to be special ordered.

This conversion chart enables the user to translate the recommended length into that of a tube diameter that can be quickly obtained. In using the chart, it is recommended that conversions be made using factors within the shaded area. In addition, it is highly recommended that the minimum length of capillary tubing used by 5 feet.

## Cool Gel™ Heat Dissipating Spray

11509

Heat dissipating spray helps prevent heat damage to components and surrounding materials during soldering, brazing, and welding. It protects painted and finished surfaces from discoloration due to adjacent torch operations. This product also reduces the danger of fire to surrounding surfaces such as studs, drywall, and insulation. The unique non-staining gelled formula sticks to surfaces without dripping or running off and leaves no residue. Safe, non-toxic, and odorless spray liberally on adjacent surfaces needing protection. The spray pattern is adjustable from stream to mist. One quart spray bottles sold in cases of 12.



## Valve Action™ Paint Marker

96822 Red

96823 Black



This long-lasting, weather-, water-, and UV-resistant paint marker dries in 3 minutes. Marks on all surfaces including metal, wood, glass, plastic, rubber, cardboard, and paper. Lead-free paint meets California VOC regulations. Marking range is -50° F to 150° F (-46°C to 66°C). Sold in bulk cases of 12.

## Slic-Tite® Paste with PTFE

42019

Premium thread sealant for sealing water, air, steam, natural gas, LP gas, refrigerants, ammonia, gasoline, and oil. For use on metal, PVC, CPVC, and ABS plastic threads. Do not use on Oxygen service, use PTFE tape or LA-CO Oxytite®. Sealing temperature -50° F to 500° F (-46° C to 260° C). Pressures 3,000 psi (204 bar) for gas, 10,000 psi (680 bar) for liquid. NSF, UPC, CSA, cULus, FGG/BM/CZ approved. 1/2 pints sold in cases of 12.



## Pipetite-Stik®

11175



Non-toxic and lead-free, the Pipetite Stik is for use for water, steam, air, natural gas, and LP gas. Use on metal threads. Do not use on Oxygen service; use PTFE tape or LA-CO Oxytite®. Sealing temperature is up to 350° F (177° C) and pressures to 2,000 psi (136 bar) for liquids and 350 psi (24 bar) for gasses. Certified by NSF to meet ANSI/NSF Standard 61 for use on potable water. 1-1/4 Oz. sticks sold in cases of 12.

## Heat-Seal Stik® Premixed Epoxy Sealer

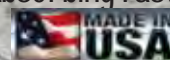
11575



Ideal for use on high and low side of refrigeration systems, the Heat-Seal Stik can be used on aluminum, copper, other metals, glass, and ceramics. Works on R-410A based systems. Sticks, melts, seals, and cures in one 90 second operation. One part epoxy, there is no mixing or measuring needed. Sealing temperature is up to 350° F (177° C) and pressures to 450 psi (31 bar). 3/8 Oz. sticks sold in cases of 12.

## Bloc-It® Heat Absorbing Paste

11511



Heavy paste effectively absorbs surface heat and protects adjoining surfaces that may be damaged by excessive heat. Typically used to protect rubber, plastic, distortion, painted and finished surfaces during soldering, brazing or welding. Safe to use, Bloc-It is non-toxic, harmless to skin, odorless, and does not contain asbestos. Wipe off with cloth or wash with water, Bloc-It will not leave stains. 10 oz. tubes sold in cases of 24.



DEEP VACUUM

CHARGING EQUIPMENT

GAUGES

HOSES

ACCESS VALVES

TOOLS & ACCESSORIES

BRASS FITTINGS

REPAIR PARTS

INDEX

# BRASS FITTINGS

DEEP VACUUM

CHARGING EQUIPMENT

GAUGES

HOSES

ACCESS VALVES

TOOLS & ACCESSORIES

BRASS FITTINGS

REPAIR PARTS

INDEX

JB's American-made brass SAE 45° flared tube fittings may be used with copper, brass, aluminum, steel, and plastic tube provided an acceptable flare could be generated with the material.

Vacuum and pressures of 5,000 psi can be handled depending upon the size, material, and conditions. Using a 4:1 safety factor, the following general rule (excluding plastic tube) is used:

- 3,000 psi to 1/4"
- 2,000 psi to 1/2"
- 1,500 psi to 1"

**MADE IN USA**

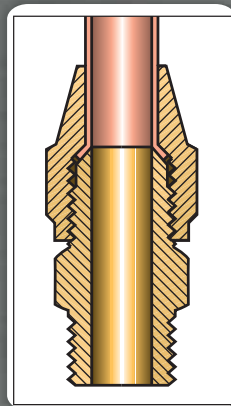
Long nuts are recommended when vibration is a factor. Tubing should be double flared in extreme applications to minimize flare thinning on over-tightening.

Fittings listed generally comply with SAE, ASA, ASME, and MS standards, however when design makes dimensions critical, please contact us at 800-323-0811 for samples and/or prints for testing and evaluation.

Tube sizes listed are OD (outside diameter). To determine nominal (water tube) size, subtract 1/8", thus 5/8" OD = 1/2" nominal.

Pipe sizes listed are standard nominal pipe size and threads are to Dryseal Taper Pipe Standards.

JB will provide flare fitting to SAE Standard J513 whenever possible. In some cases, slight deviations will occur when full compliance fittings are not available.



- Make and break
- Good vibration resistance (improved by using long nuts)
- Low cost
- Easy assembly
- Wide selection

Heavy-duty ACR tube fittings generally conform to SAE, ASA, and ARI Standards for hydraulic, marine, and refrigeration service. Long dryseal pipe threads minimize leakage and provide more clearance for tightening flare nuts. Shapes, elbows, tees, etc., are made from brass fittings to maximize strength and eliminate cracks.

## Assembly Instructions

1. Cut tube square and remove cut-off burr
2. Slide nut on tube, threaded end facing end of tube
3. Flare tube following flaring tool manufacturers instructions (check flare quality)
4. Thread nut on to fitting body "hand tight"
5. With proper wrench, tighten to a solid feel

**CAUTION:** Over tightening and dirt can damage fittings and/or tube causing leaks.

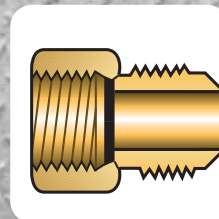
**NOTE:** Lubrication of flare faces and threads is recommended when practical.

## Thread size of tube ends

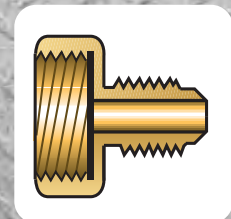
O.D. TUBE	SAE/FLARE	O.D. TUBE	SAE/FLARE
1/8"	5/16-24	1/2"	3/4-16
3/16"	3/8-24	5/8"	7/8-14
1/4"	7/16-20	3/4"	1 -1/16-14
5/16"	1/2-20	7/8"	1 -1/4-12
3/8"	5/8-18	1"	1 -3/8-12
7/16"	11/16-16		

## Torque pounds for flare fitting (dry thread)

SIZE	FT. LBS. (MIN.)	FT. LBS.
1/4"	8	10
3/8"	15	25
1/2"	25	35
5/8"	40	55
3/4"	50	60



Copper Seal gaskets (B2) series furnished with all female flares



Fiber gaskets (K1 and D/E) furnished with all drum adapters (K1-1 through 8)

# BRASS FITTINGS

## Copper Flare Bonnet

Use with Flare nut to cap a fitting



PART NO.	SIZE	PKG
B1-3	3/16"	5
B1-4	1/4"	25
B1-6	3/8"	5
B1-8	1/2"	5
B1-10	5/8"	10
B1-12	3/4"	5

## Copper Flare Gasket

Used on brass to brass or brass to steel connections to prevent leaks



PART NO.	SIZE	PKG
B2-3	3/16"	5
B2-4	1/4"	25
B2-5	5/16"	5
B2-6	3/8"	25
B2-8	1/2"	25
B2-10	5/8"	10
B2-12	3/4"	10

## Cross



PART NO.	SIZE	PKG
C1-4	1/4"	2
C1-6	3/8"	2

## Flare x Male Pipe El



PART NO.	SIZE	PKG
E1-2A	1/8" x 1/8"	5
E1-3A	3/16" x 1/8"	2
E1-4A	1/4" x 1/8"	10
E1-4B	1/4" x 1/4"	10
E1-4C	1/4" x 3/8"	5
E1-5A	5/16" x 1/8"	5
E1-5B	5/16" x 1/4"	5
E1-5C	5/16" x 3/8"	5
E1-6A	3/8" x 1/8"	5
E1-6B	3/8" x 1/4"	10
E1-6C	3/8" x 3/8"	10
E1-6D	3/8" x 1/2"	5
E1-6E	3/8" x 3/4"	2
E1-8B	1/2" x 1/4"	5
E1-8C	1/2" x 3/8"	5
E1-8D	1/2" x 1/2"	10
E1-8E	1/2" x 3/4"	2
E1-10C	5/8" x 3/8"	2
E1-10D	5/8" x 1/2"	2
E1-10E	5/8" x 3/4"	2
E1-12D	3/4" x 1/2"	2
E1-12E	3/4" x 3/4"	2

## Flare El



PART NO.	SIZE	PKG
E2-2	1/8"	5
E2-3	3/16"	5
E2-4	1/4"	5
E2-5	5/16"	5
E2-6	3/8"	5
E2-8	1/2"	5
E2-10	5/8"	2
E2-12	3/4"	2

## Reducing



PART NO.	SIZE	PKG
ER2-64	3/8" x 1/4"	5
ER2-84	1/2" x 1/4"	2
ER2-86	1/2" x 3/8"	5
ER2-108	5/8" x 1/2"	2

## Flare x Female Solder El



PART NO.	SIZE	PKG
ES2-44	1/4" x 1/4"	5
ES2-66	3/8" x 3/8"	5
ES2-68	3/8" x 1/2"	2
ES2-88	1/2" x 1/2"	2

## Flare x Female Pipe El



PART NO.	SIZE	PKG
E3-4A	1/4" x 1/8"	5
E3-4B	1/4" x 1/4"	2
E3-5B	5/16" x 1/4"	2
E3-6A	3/8" x 1/8"	5
E3-6B	3/8" x 1/4"	2
E3-6C	3/8" x 3/8"	2
E3-6D	3/8" x 1/2"	2
E3-8C	1/2" x 3/8"	2
E3-8D	1/2" x 1/2"	2
E3-8E	1/2" x 3/4"	2
E3-10D	5/8" x 1/2"	2
E3-10E	5/8" x 3/4"	2

## Female Flare x Flare El

Includes copper gasket



PART NO.	SIZE	PKG
E4-44	1/4" x 1/4"	5
E4-66	3/8" x 3/8"	2
E4-88	1/2" x 1/2"	2

## Swivel Female Flare x Flare El



PART NO.	SIZE	PKG
ES4-44	1/4" x 1/4"	2
ES4-66	3/8" x 3/8"	2
ES4-88	1/2" x 1/2"	2
ES4-1010	5/8" x 5/8"	2
ES4-1212	3/4" x 3/4"	2

## Fusible Pipe Plug



PART NO.	SIZE	PKG
<b>168° F</b>		
FP-A-168	1/8"	5
FP-B-168	1/4"	5
FP-C-168	3/8"	2
<b>210° F</b>		
FP-A-210	1/8"	5
FP-B-210	1/4"	5
FP-C-210	3/8"	2
<b>283° F</b>		
FP-A-283	1/8"	5
FP-B-283	1/4"	2
FP-C-283	3/8"	2

## Refrigerant Drum Adapter



NPS CYLINDER X MALE FLARE. FURNISHED WITH FIBER GASKET.



PART NO.	SIZE	PKG
K1-1	3/4" x 1/4"	10
K1-3	3/4" x 3/8"	2
K1-5	3/4" x 1/2"	2
K1-8	1/2" x 1/4"	2

# BRASS FITTINGS

## Fiber Drum Adapter Seal Gasket



PART NO.	SIZE	PKG
K1-D	1/2"	10
K1-E	3/4"	10

## Fusible Flare x Pipe Adapter



PART NO.	SIZE	PKG
<b>168° F</b>		
FU-4B-168	1/4" x 1/4"	2
FU-4C-168	1/4" x 3/8"	2
FU-6C-168	3/8" x 3/8"	2
<b>210° F</b>		
FU-4B-210	1/4" x 1/4"	2
FU-4C-210	1/4" x 3/8"	2
FU-6C-210	3/8" x 3/8"	2
<b>283° F</b>		
FU-4B-283	1/4" x 1/4"	2
FU-4C-283	1/4" x 3/8"	2
FU-6C-283	3/8" x 3/8"	2

## Long Forged Refrigeration Nut



INCREASE VIBRATION RESISTANCE

PART NO.	SIZE	PKG
N4-4	1/4"	10
N4-5	5/16"	5
N4-6	3/8"	10
N4-8	1/2"	5
N4-10	5/8"	5
N4-12	3/4"	2

## Flare Cap



PART NO.	SIZE	PKG
N5-3	3/16"	5
N5-4	1/4"	25
N5-5	5/16"	5
N5-6	3/8"	25
N5-8	1/2"	10
N5-10	5/8"	10
N5-12	3/4"	2

## Finger Tight Flare Cap



NEOPRENE SEAL. SEE PAGE 45 FOR SINGLE INFORMATION.

PART NO.	SIZE	PKG
NFT5-4-101	1/4"	1000
NFT5-6-101	3/8"	500

## Short Forged Refrigeration Nut



PART NO.	SIZE	PKG
NS4-3	3/16"	10
NS4-4	1/4"	25
NS4-4-CS	1/4"	1000
NS4-5	5/16"	10
NS4-6	3/8"	25
NS4-6-CS	3/8"	500
NS4-8	1/2"	25
NS4-8-CS	1/2"	350
NS4-10	5/8"	10
NS4-10-CS	5/8"	200
NS4-12	3/4"	5
NS4-12-CS	3/4"	100
NS4-14	7/8"	2

## Reducing



PART NO.	SIZE	PKG
NRS4-43	1/4" x 3/16"	5
NRS4-54	5/16" x 1/4"	5
NRS4-64	3/8" x 1/4"	10
NRS4-65	3/8" x 5/16"	10
NRS4-86	1/2" x 3/8"	10
NRS4-108	5/8" x 1/2"	5
NRS4-1210	3/4" x 5/8"	2

## Old Style Extra Heavy Pre-1968 Nut



PART NO.	SIZE	PKG
HNS4-4	1/4"(3/4" hex)	25
HNS4-6	3/8"(7/8" hex)	25
HNS4-8	1/2"(1" hex)	10
HNS4-10	5/8"(1 1/8" hex)	10
HNS4-12	3/4"(1 3/8" hex)	2

## Frost-Proof Forged Refrigeration Nut

HOLES RELIEVE FROST IN THREAD AREA



PART NO.	SIZE	PKG
NST4-4	1/4"	5
NST4-6	3/8"	5
NST4-8	1/2"	10
NST4-10	5/8"	2

## Flare Plug



PART NO.	SIZE	PKG
P2-3	3/16"	5
P2-4	1/4"	10
P2-5	5/16"	5
P2-6	3/8"	10
P2-8	1/2"	10
P2-10	5/8"	5
P2-12	3/4"	2

## Flare x Flare x Male Pipe Tee



PART NO.	SIZE	PKG
T1-4A	1/4" x 1/4" x 1/8"	10
T1-4B	1/4" x 1/4" x 1/4"	10
T1-4C	1/4" x 1/4" x 3/8"	2
T1-5B	5/16"x5/16" x 1/4"	2
T1-6B	3/8"x 3/8" x 1/4"	5
T1-6C	3/8" x 3/8" x 3/8"	5
T1-6D	3/8" x 3/8" x 1/2"	2
T1-8B	1/2" x 1/2" x 1/4"	2
T1-8C	1/2" x 1/2" x 3/8"	2
T1-8D	1/2" x 1/2" x 1/2"	2
T1-10C	5/8" x 5/8" x 3/8"	2
T1-10D	5/8" x 5/8" x 1/2"	2

## Flare Tee



PART NO.	SIZE	PKG
T2-3	3/16"	5
T2-4	1/4"	10
T2-5	5/16"	5
T2-6	3/8"	10
T2-8	1/2"	5
T2-10	5/8"	2
T2-12	3/4"	2

DEEP VACUUM

CHARGING EQUIPMENT

GAUGES

HOSES

ACCESS VALVES

TOOLS & ACCESSORIES

BRASS FITTINGS

REPAIR PARTS

INDEX

# BRASS FITTINGS

Reducing



PART NO.	SIZE	PKG
TR2-446	1/4" x 1/4" x 3/8"	5
TR2-664	3/8" x 3/8" x 1/4"	5
TR2-668	3/8" x 3/8" x 1/2"	2
TR2-886	1/2" x 1/2" x 3/8"	2

Flare x Male  
Pipe Adapter



PART NO.	SIZE	PKG
U1-2A	1/8" x 1/8"	5
U1-3A	3/16" x 1/8"	5
U1-3B	3/16" x 1/4"	5
U1-4A	1/4" x 1/8"	25
U1-4B	1/4" x 1/4"	25
U1-4C	1/4" x 3/8"	10
U1-4D	1/4" x 1/2"	10
U1-5A	5/16" x 1/8"	5
U1-5B	5/16" x 1/4"	5
U1-5C	5/16" x 3/8"	5
U1-6A	3/8" x 1/8"	10
U1-6B	3/8" x 1/4"	10
U1-6C	3/8" x 3/8"	10
U1-6D	3/8" x 1/2"	10
U1-6E	3/8" x 3/4"	5
U1-8A	1/2" x 1/8"	2
U1-8B	1/2" x 1/4"	5
U1-8C	1/2" x 3/8"	10
U1-8D	1/2" x 1/2"	10
U1-8E	1/2" x 3/4"	5
U1-10B	5/8" x 1/4"	5
U1-10C	5/8" x 3/8"	5
U1-10D	5/8" x 1/2"	10
U1-10E	5/8" x 3/4"	5
U1-12C	3/4" x 3/8"	2
U1-12D	3/4" x 1/2"	2
U1-12E	3/4" x 3/4"	2
U1-14E	7/8" x 3/4"	2

Reducing



PART NO.	SIZE	PKG
UR2-43	1/4" x 3/16"	5
UR2-54	5/16" x 1/4"	5
UR2-64	3/8" x 1/4"	10
UR2-65	3/8" x 5/16"	5
UR2-84	1/2" x 1/4"	5
UR2-86	1/2" x 3/8"	10
UR2-106	5/8" x 3/8"	5
UR2-108	5/8" x 1/2"	5
UR2-128	3/4" x 1/2"	2
UR2-1210	3/4" x 5/8"	2

Female Flare x  
Flare Adapter



INCLUDES COPPER GASKET

PART NO.	SIZE	PKG
UR3-43	1/4" x 3/16"	2
UR3-46	1/4" x 3/8"	10
UR3-48	1/4" x 1/2"	5
UR3-64	3/8" x 1/4"	20
UR3-68	3/8" x 1/2"	10
UR3-84	1/2" x 1/4"	10
UR3-86	1/2" x 3/8"	10
UR3-810	1/2" x 5/8"	10
UR3-108	5/8" x 1/2"	5
UR3-1012	5/8" x 3/4"	2
UR3-1210	3/4" x 5/8"	2

Flare x Male Pipe x  
Flare Tee



PART NO.	SIZE	PKG
T3-4A	1/4" x 1/8" x 1/4"	5
T3-4B	1/4" x 1/4" x 1/4"	5
T3-5B	5/16" x 1/4" x 5/16"	2
T3-6B	3/8" x 1/4" x 3/8"	5
T3-6C	3/8" x 3/8" x 3/8"	2
T3-6D	3/8" x 1/2" x 3/8"	2
T3-8C	1/2" x 3/8" x 1/2"	2
T3-8D	1/2" x 1/2" x 1/2"	2
T3-10D	5/8" x 1/2" x 5/8"	2

Flare Union



PART NO.	SIZE	PKG
U2-2	1/8"	5
U2-3	3/16"	5
U2-4	1/4"	25
U2-5	5/16"	10
U2-6	3/8"	25
U2-8	1/2"	10
U2-10	5/8"	10
U2-12	3/4"	2
U2-14	7/8"	2

Flare x Female Pipe  
Adapter



PART NO.	SIZE	PKG
U3-2A	1/8" x 1/8"	5
U3-3A	3/16" x 1/8"	5
U3-4A	1/4" x 1/8"	10
U3-4B	1/4" x 1/4"	10
U3-4C	1/4" x 3/8"	5
U3-5A	5/16" x 1/8"	5
U3-5B	5/16" x 1/4"	5
U3-6A	3/8" x 1/8"	5
U3-6B	3/8" x 1/4"	5
U3-6C	3/8" x 3/8"	5
U3-6D	3/8" x 1/2"	5
U3-8B	1/2" x 1/4"	5
U3-8C	1/2" x 3/8"	5
U3-8D	1/2" x 1/2"	5
U3-8E	1/2" x 3/4"	2
U3-10C	5/8" x 3/8"	5
U3-10D	5/8" x 1/2"	5
U3-10E	5/8" x 3/4"	2

Flare x Solder Adapter

FURNISHED WITH  
COPPER GASKET



PART NO.	SIZE	PKG
US3-44	1/4" x 1/4"	10
US3-45	1/4" x 5/16"	5
US3-46	1/4" x 3/8"	5
US3-64	3/8" x 1/4"	5
US3-65	3/8" x 5/16"	5
US3-66	3/8" x 3/8"	10
US3-68	3/8" x 1/2"	5
US3-610	3/8" x 5/8"	5
US3-86	1/2" x 3/8"	2
US3-88	1/2" x 1/2"	5
US3-810	1/2" x 5/8"	2
US3-108	5/8" x 1/2"	2
US3-1010	5/8" x 5/8"	5
US3-1012	5/8" x 3/4"	2
US3-1014	5/8" x 7/8"	2
US3-1212	3/4" x 3/4"	5
US3-1214	3/4" x 7/8"	2

Flare x Flare x Female  
Flare Tee



PART NO.	SIZE	PKG
T6-4	1/4"	2

DEEP VACUUM

CHARGING EQUIPMENT

GAUGES

HOSES

ACCESS VALVES

TOOLS & ACCESSORIES

BRASS FITTINGS

REPAIR PARTS

INDEX

# BRASS FITTINGS

## Female Flare x Female Flare Connector

INCLUDES TWO COPPER GASKETS



PART NO.	SIZE	PKG
U4-4	1/4"	10
U4-6	3/8"	10
U4-8	1/2"	2
U4-10	5/8"	2
U4-12	3/4"	2

## Swivel Female Flare x Solder Adapter

A32700 SERIES PG 45



PART NO.	SIZE	PKG
US5-44	1/4" x 1/4"	5
US5-66	3/8" x 3/8"	5
US5-88	1/2" x 1/2"	5
US5-1010	5/8" x 5/8"	5
US5-1212	3/4" x 3/4"	2

## Brass Pipe Fittings

JB's American made forged brass pipe fittings are manufactured from CA 377 alloy and are threaded to Dryseal Taper Pipe Standards to generally comply with SAE, ASA, ASME, and MS Standards. Forgings can be used on vacuums to pressures of 5,000 psi depending on size, material, and conditions.

Features:

- Good vibration resistance (improved by using long nuts)
- Low cost
- Easy assembly
- American made quality
- Wide selection

JB recommends the use of a compatible thread sealant and tightening 2 1/2 full turns past hand tight.

Vacuum and pressures of 5,000 psi can be handled depending upon the size, material, and conditions.

Caution: Over-tightening and dirt can damage fittings

JB brass fittings are sold in box quantities only. For more information, please contact sales@jbind.com or 800.323.0811.

## Swivel Female Flare Connector



PART NO.	SIZE	PKG
US4-4	1/4"	10
US4-5	5/16"	5
US4-6	3/8"	10
US4-8	1/2"	10
US4-10	5/8"	5

## Female Flare x Female Pipe Adapter



INCLUDES COPPER SEAL GASKET



PART NO.	SIZE	PKG
U6-4A	1/4" x 1/8"	2
U6-4B	1/4" x 1/4"	2

## Nominal Pipe Size Threads

NOM. PIPE	THD./IN.	NOM. PIPE	THD./IN.
1/16"	27	2"	11.5
1/8"	27	2-1/2"	8
1/4"	18	3"	8
3/8"	18	3-1/2"	8
1/2"	14	4"	8
3/4"	14	5"	8
1"	11.5	6"	8
1-1/4"	11.5	8"	8
1-1/2"	11.5		

## Tee



PART NO.	SIZE	PKG
101-A	1/8"	5
101-B	1/4"	10
101-C	3/8"	5
101-D	1/2"	2
101-E	3/4"	2

## Female Flare x Male Pipe Adapter

INCLUDES COPPER SEAL GASKET



PART NO.	SIZE	PKG
U5-4A	1/4" x 1/8"	5
U5-4B	1/4" x 1/4"	10
U5-6B	3/8" x 1/4"	5
U5-8C	1/2" x 3/8"	2
U5-8D	1/2" x 1/2"	2

## Extra Long Flare x Male Pipe Adapter



PART NO.	SIZE	PKG
UX1-4A	1/4" x 1/8"	2
UX1-4B	1/4" x 1/4"	5

## Elbow



PART NO.	SIZE	PKG
100-A	1/8"	5
100-B	1/4"	5
100-C	3/8"	5
100-D	1/2"	2
100-E	3/4"	2

## Coupling (PC)



PART NO.	SIZE	PKG
1103-A	1/8"	5
103-B	1/4"	10
103-C	3/8"	5
103-D	1/2"	5
103-E	3/4"	5

## Extra Long Flare Union



PART NO.	SIZE	PKG
UX2-4	1/4"	5

DEEP VACUUM

CHARGING EQUIPMENT

GAUGES

HOSES

ACCESS VALVES

TOOLS & ACCESSORIES

BRASS FITTINGS

REPAIR PARTS

INDEX



# BRASS FITTINGS

Hex Brushing (R1)



PART NO.	SIZE	PKG
110-BA	1/4" x 1/8"	10
110-CA	3/8" x 1/8"	5
110-CB	3/8" x 1/4"	10
110-DA	1/2" x 1/8"	5
110-DB	1/2" x 1/4"	10
110-DC	1/2" x 3/8"	10
110-EA	3/4" x 1/8"	2
110-EB	3/4" x 1/4"	5
110-EC	3/4" x 3/8"	5
110-ED	3/4" x 1/2"	5
110-FD	1" x 1/2"	2
110-FE	1" x 3/4"	2

Long Nipple



PART NO.	SIZE	PKG
113-A15	1/8" x 1-1/2"	5
113-A2	1/8" x 2"	5
113-A25	1/8" x 2-1/2"	5
113-A3	1/8" x 3"	5
113-A35	1/8" x 3-1/2"	5
113-B15	1/4" x 1-1/2"	5
113-B2	1/4" x 2"	5
113-B25	1/4" x 2-1/2"	5
113-B3	1/4" x 3"	5
113-B35	1/4" x 3-1/2"	5
113-C15	3/8" x 1-1/2"	5
113-C2	3/8" x 2"	5
113-C25	3/8" x 2-1/2"	5
113-C3	3/8" x 3"	5
113-C35	3/8" x 3-1/2"	5
113-D15	1/2" x 1-1/2"	5
113-D2	1/2" x 2"	5
113-D25	1/2" x 2-1/2"	5
113-D3	1/2" x 3"	2
113-D35	1/2" x 3-1/2"	2

Street El



PART NO.	SIZE	PKG
116-A	1/8" forged	5
116-B	1/4" closed forged	5
116-C	3/8" closed forged	5
116-D	1/2" forged	2

Hex Nipple (U10)



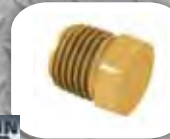
PART NO.	SIZE	PKG
122-A	1/8"	5
122-B	1/4"	10
122-C	3/8"	5
122-D	1/2"	5
122-E	3/4"	5

CLOSE Nipple



PART NO.	SIZE	PKG
112-A	1/8"	5
112-B	1/4"	10
112-C	3/8"	5
112-D	1/2"	2
112-E	3/4"	5

Hex Head Plug (P3)



PART NO.	SIZE	PKG
121-A	1/8"	10
121-B	1/4"	10
121-C	3/8"	5
121-D	1/2"	5
121-E	3/4"	5
121-F	1"	2

Compression Break-Off Sleeve (Pilot) Nut



PART NO.	SIZE	PKG
81LB-4	1/4"	10

## LIMITED WARRANTY

The entire limited warranty and OTC warranty can be found at [www.jbind.com](http://www.jbind.com). Products sold by JB Industries, Inc. are warranted for a period of 12 months from the date of sale with the following exceptions:

- Vacuum pumps are warranted 24 months LIMITED over-the-counter. Not changing the oil will void the over the counter warranty.
- Digital gauges are warranted 12 months ATLAS scale 24 months
- Rothenberger tools are warranted 24 months

JB limits this warranty to the repair, replacement or credit at invoice price (JB's option) of products that in JB's opinion are defective due to defects in workmanship and/or materials. Warranty claims resulting from obvious product abuse, misuse such as broken parts or lack of maintenance including failure to keep the vacuum pump filled with clean oil, abnormal use or normal wear and tear will not be honored as warranty repair and will be subject to JB's published repair costs. This express warranty is in lieu of and excludes all other warranties, guarantees and/or representations, express or implied, of JB and/or the manufacturer of such products that make NO WARRANTY OF MERCHANTABILITY OR FITNESS FOR ANY PARTICULAR PURPOSE. Technical information, recommendations and advice as to properties and usages of materials, design, installation and use of products, engineering and other matters are provided as an accommodation and are intended only as suggestions. Although they are believed to be accurate, based on JB's knowledge and experience, JB assumes no obligation or liability for any results obtained in their use or application, and they are not to be construed as establishing any warranty, express or implied. In no event shall JB be liable for claims for any damages whatsoever (whether direct, foreseeable, consequential or special) suffered by buyer or anyone else arising out of any breach by JB. JB makes no warranty to those defined as consumers in the Magnuson-Moss Warranty-Federal Trade Commission Improvement Act.

Disclaimers: All product items pictured, described, or otherwise displayed herein are subject to changes, alterations, and/or modifications at anytime by JB Industries, Inc. The terms and conditions for the purchase of JB Industries, Inc. products are subject to changes, alterations, and/or modifications at any time by JB Industries, Inc. and will be made available upon request to JB Industries and shall be provided to customers of JB Industries, Inc. at time of purchase.

# WARRANTY

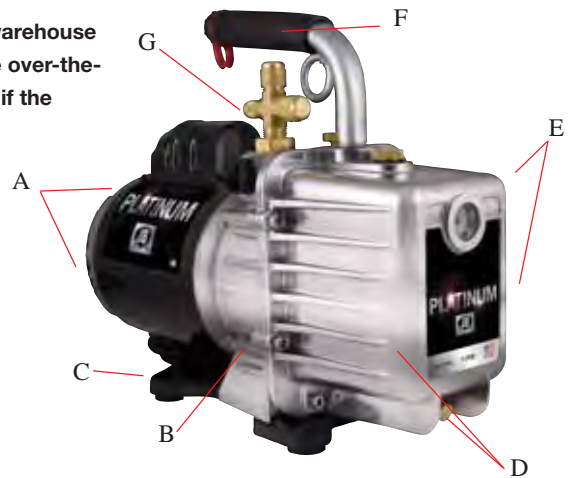
## VACUUM PUMPS: 24 MONTHS

### CHANGE THE OIL!!! MOST PUMPS SIMPLY NEED AN OIL CHANGE!!!!!! NOT CHANGING OIL WILL VOID WARRANTY

Pumps that are in warranty are examined as soon as they arrive at the warehouse so that we may contact the wholesaler regarding our determination. The over-the-counter warranty applies only to the manufacturing defects and is VOID if the problem has been determined to be abuse.

Check for Signs of Abuse:

- A. Bell back housing area
- B. Side of trap
- C. Base is broken or missing corners
- D. Damage to protective fins and drain valve
- E. Flat hit marks on top and bottom of corners
- F. Handle bent down or broken
- G. Intake damaged or missing



## MANIFOLDS: LIFETIME BAR ONLY

Manifolds carry a lifetime warranty on the bar only and does not include coverage of any parts. The 12 month over-the-counter warranty covers manufacturing defects only, not abuse. Signs of abuse include lens cracked or missing, gauges that can be loosened by hand, and drop marks on manifolds or unions. Check calibration with the set screw on the gauge as well.

## DIGITAL INSTRUMENTS (Gauges, Manifolds): 12 Months, Atlas Scale: 24 Months

Check the batteries. The product will provide a low battery warning with flashing dots at the bottom of the display. Plug in and toggle through the settings as well as the temperature setting to check if the sensors are working. If the sensors are working, push the on/off button to auto cal to see if it will return to zero. If any of the readings are off, check to see what the temperature sensor is for both sensors. A few degrees difference between the two can cause a problem with the readings. Check for signs of abuse which include a cracked case, drop marks on fittings, display is dimmed or damaged, sensor is pinched or sliced, and the hook is bent or missing.

For our Digital Micron gauge, DV-22N, check the last recorded vacuum and then press twice to clear the last recorded vacuum to see if it resets (if the numbers are jumping around, it may be a cold pump or oil contaminant inside the thermistor). If the numbers are jumping around after you have disconnected the gauge from the vacuum and it will not return to one, wait until the gauge auto calibrates. Unit will display JB and turn off before it reads 1 if batteries are low. Check for signs of abuse which include a cracked case, the coupler is loose at the base of the case, the O-ring/gasket is chewed up or damaged or missing, there are pliers or channel locks on couplers, and the hook is broken or missing.

## ROTHENBERGER TOOLS: 24 MONTHS

Check for signs of abuse

### HOW TO RETURN PRODUCT

Prior to returning any product to JB, you are required to obtain a Return Goods Authorization number (RGA). Contact customer service at 800-323-0811 to obtain your RGA. Insure that all returned products are packed adequately to avoid damage during shipment as we will not honor warranty claims for items damaged in transit. The recommended packing procedure for pumps is detailed below. Paperwork should be placed in a separate plastic bag and should include your assigned RGA, a description of the problem, a copy of the invoice, and any customer assigned repair or purchase order number (if applicable). Please provide contact information of whom to inform of package receipt as well as the person authorized to accept repair charges should the warranty be void.

1. Completely drain oil and close all valves
2. Place pump in plastic bag and seal
3. Cushion bottom of carton with packing paper or crumpled newspaper before placing pump in carton and fill in along sides and top. DO NOT USE PEANUTS
4. Place paperwork in a separate plastic bag and seal. Include the RGA and detail of problem
5. If estimate is required before repair, be certain this is highlighted and clearly specified
6. Depending on time of year, allow 2-4 weeks for repair service

Ship repairs to:  
JB Industries  
601 N. Farnsworth Ave.  
Aurora, IL 60505

Merced Wholesale  
805 S. Fremont  
Alhambra, CA 91803  
Phone 626-293-5710  
Fax 626-289-1196

### FOR VACUUM PUMPS ONLY:

AK, AZ, CA, ID, MT, NV, OR, UT, and WA customers have the option of also using Merced Wholesale for pump repair. For customers choosing the Merced facility, prices and terms of condition must be obtained from Merced.

# POP MARKETING AND MERCHANDISING



Made in Chi-not t-shirts  
**MKDS58 SHORT SLEEVE TEE SHIRT**  
 Available in sizes L-XXXL  
**\$12.50**



Made in Chi-not t-shirts  
**MKDS59 LONG SLEEVE TEE SHIRT**  
 Available in sizes L-XXXL  
**\$16.50 (NOT SHOWN)**

**KOBRA®** Bottle opener  
**MKSD56**  
**\$7.50**



JB Industries Ball Cap  
**MKDS51 BLACK HAT**  
**MKDS52 WHITE HAT**  
**\$14.50**



## POSTERS

SAMPLING PLEASE REFER TO WEBSITE FOR ALL AVAILABLE POSTERES



JB has point of purchase material to highlight your show-room. From banners, to backing for pegboard and slatwall, to counter mats and headers, please refer to [www.jbind.com/marketing](http://www.jbind.com/marketing) for an order form or call **800-323-0811** to place your order.



**MKDS22**  
**BANNER 36" X 48" WITH GROMMETS.**



**MKDS23**  
**BANNER 36" x 48" WITH GROMMETS.**



**MKDS27**  
**COUNTER MAT 12" X 18" LAMINATED WITH A DURABLE RUBBER BACKING.**



**MKDS04**  
**BACKING FOR PEGBOARD 2 PANELS 34.5" X 23.5" EACH.**



**MKDS03 Flat header 12" X 36".**

**MKDS02 Header for end caps 12" X 36" with a 2" bend to attach to gondolas**

**MKDS05**  
**BACKING FOR SLATWALL 2 PANELS 36" X 47.5" EACH.**

DEEP VACUUM

CHARGING EQUIPMENT

GAUGES

HOSES

ACCESS VALVES

TOOLS & ACCESSORIES

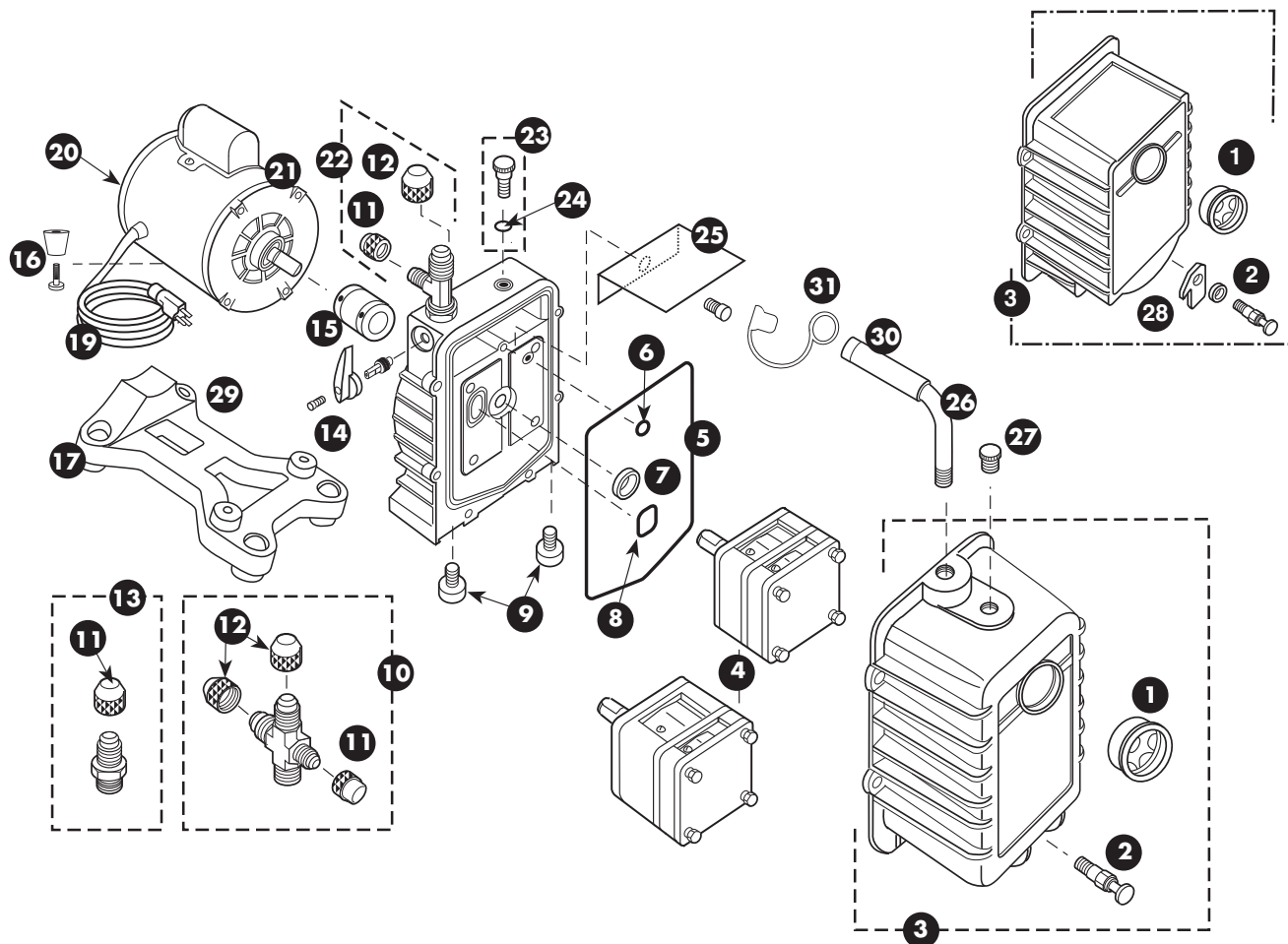
BRASS FITTINGS

REPAIR PARTS

INDEX

# VACUUM PUMP REPAIR

## DV-42N through DV-285N Series



WHEN ORDERING, PLEASE PROVIDE THE FOLLOWING INFORMATION:

- **MODEL NUMBER**
- **FOUR DIGIT SERIAL NUMBER**
- **PART NUMBER AND DESCRIPTION**

FOR REPAIR PARTS FOR DV-42 AND DV-42N SERIES PUMPS  
MANUFACTURED PRIOR TO JANUARY 2001 SEE PAGE 70.

OPERATING INSTRUCTIONS FOR ALL PUMPS MANUFACTURED SINCE  
1980 AVAILABLE UNDER "TECHNICAL INFORMATION"  
AT WWW.JBIND.COM.

new:  
**NOTE : ON FLEXIBLE COUPLER ( 15 )  
FLEBIBLE SECTION IS AVAILABLE AS  
PR-308**

new:  
**PR-209 NOW INCLUDES STEM WITH  
O-RINGS AND RETAINER**

new:  
**PR-56 - ADAPTOR NUT WITH O-RING**

# PUMP REPAIR PARTS

REFERENCE	PART NO.	DESCRIPTION	REFERENCE	PART NO.	DESCRIPTION
1	PR-1	Sight Glass	16	PR-42	Motor Foot With Screw
2	PR-2	Drain Valve	17	PR-59	Base Foot
3	<b>PR-300</b>	DV-42N Through DV200N Cover Assy. w/ Sight Glass And Drain Valve	19	PR-31	Line Cord (Emerson Motor)
3	<b>PR-301</b>	Dv-285N Cover Assy. w/ Sight Glass And Drain Valve	19	PR-58	Line Cord (Marathon Motor)
3	<u>PR-200</u>	No Longer Available. Can Substitute PR-201	20	<b>PR-35</b>	Rocker Switch With Prongs (Marathon 1101-0105)
3	<u>PR-201</u>	DV-142N & DV-200N Cover Assy. w/ Sight Glass, Drain Valve & Guard	20	PR-54	Rocker Switch With Wire Leads (Emerson)
4	<u>PR-202</u> <b>OBSOLETE</b>	Dv-85N Cartridge w/ O-Rings And Seal	21	PR-206	1/2 Hp, 115v, 60 Hz Motor With Line Cord And Switch
4	<u>PR-203</u> <b>OBSOLETE</b>	DV-142N Cartridge w/O-Rings And Cover Seal	21	PR-207	1/2 Hp, 115/230v, 50/60 Hz Motor W/ Line Cord And Switch
4	<u>PR-204</u> <b>OBSOLETE</b>	DV-200N Cartridge w/O-Rings And Cover Seal	22	PR-5	Intake Tee With Caps
4	<u>PR-214</u> <b>OBSOLETE</b>	DV-285N Cartridge w/ O-Rings And Cover Seal	22	PR-56	Adaptor Nut With O-Ring
4	<b>PR-302</b>	DV-85N Cartridge w/ O-Rings And Cover Seal	23	PR-7	Gas Ballast Valve With O-Ring
4	<b>PR-303</b>	DV-142N Cartridge w/ O-Rings And Cover Seal	24	P90009	O-Ring, Gas Ballast Valve
4	<b>PR-304</b>	DV-200N Cartridge w/ O-Rings And Cover Seal	25	PR-40	Splash Guard And Screw (Excludes 3cfm Manufactured Before 1/01. Use PR-39.)
4	<b>PR-314</b>	DV-285N Cartridge w/ O-Rings And Cover Seal	26	PR-75	Cushioned Handle With Lift Ring 1/2" NPT And DV-EP-8 As Of 2008
5	<u>PR-216</u>	Cover Seal	26	PR-205	Cushioned Handle 3/8" NPT
5	<b>PR-311</b>	Cover Seal	27	PR-22	Oil Fill Plug With O-Ring
6	PR-211	Trap O-Ring, Gas Ballast	28	<u>PR-55</u> <b>OBSOLETE</b>	Drain Valve Guard And Spacer
7	PR-3	Shaft Seal	29	<b>PR-62</b>	Pump Base (Includes Feet)
8	<u>PR-215</u>	Trap O-Ring, Intake	30	PR-500	Cushion And Cap 3/8" NPT
8	PR-315	Trap O-Ring, Intake	30	PR-501	Cushion And Cap 1/2" NPT
9	PR-4	Rubber Foot & Screw Assembly (1 Per Package)	31	DV-EP6	Tethered Safety Cap 3/8"
10	PR-24	Intake Caps With Cross	31	DV-EP8	Tethered Safety Cap 1/2"
11	NFT5-4	1/4" O-Ring, Intake	Not Shown	PR-18	Cartridge Valve Repair Kit (Includes DV-285N As Of 2007 Models)
12	NFT5-6	3/8" O-Ring Cap	Not Shown	PR-52	DV-285N Cartridge Valve Repair Kit Prior To 2007
13	<b>PR-32</b>	1/4" Intake With Cap	Models		
14	PR-209	Plastic Isolation Valve Handle And Screw w/Stem and Retainer (Not Interchangeable w/ PR- 210)	Not Shown	PR-45	Pump Repair Kit: PR-1, PR-2, PR-4(2), PR-42, Pr-208
14	<u>PR-210</u>	Metal Isolation Valve Handle And Screw			
15	PR-208	Flexible Coupler			
15	PR-308	Flexible Section Only			

Plain type: All pumps

Bold type: pumps manufactured beginning January 2001

Underlined: Pumps manufactured before January 2001

DEEP VACUUM

CHARGING EQUIPMENT

GAUGES

HOSES

ACCESS VALVES

TOOLS & ACCESSORIES

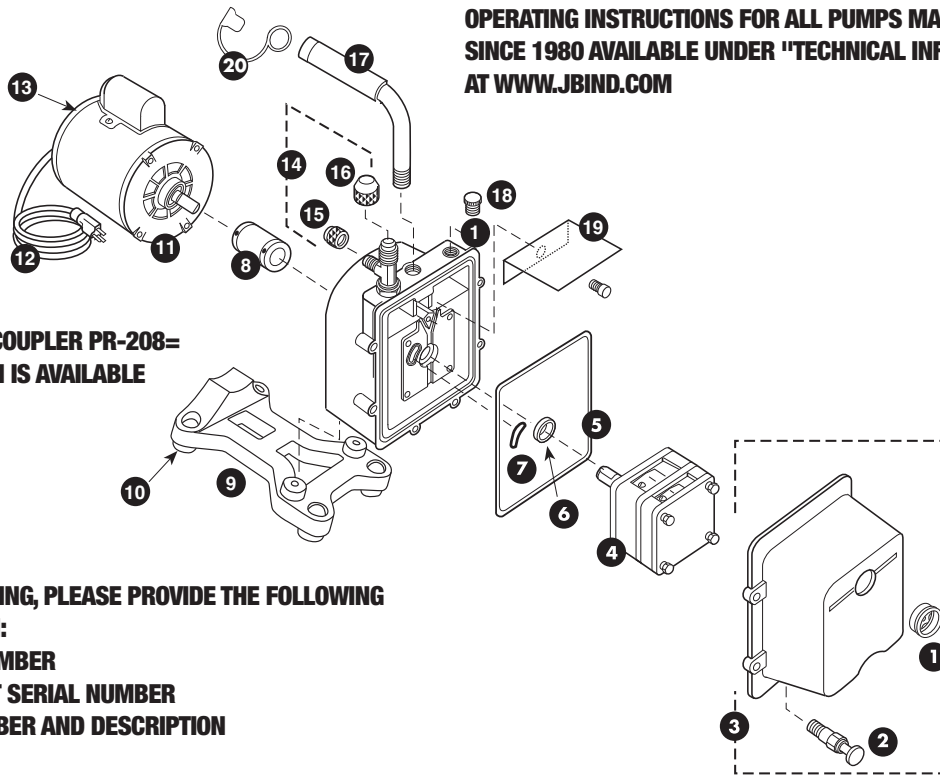
BRASS FITTINGS

REPAIR PARTS

INDEX

# PUMP REPAIR PARTS

## DV-3E, DV-4E and DV-6E Eliminator® Series



**OPERATING INSTRUCTIONS FOR ALL PUMPS MANUFACTURED SINCE 1980 AVAILABLE UNDER "TECHNICAL INFORMATION" AT WWW.JBIND.COM**

new:

**NOTE : FLEXIBLE COUPLER PR-208= FLEXIBLE SECTION IS AVAILABLE AS PR-308**

**WHEN ORDERING, PLEASE PROVIDE THE FOLLOWING INFORMATION:**

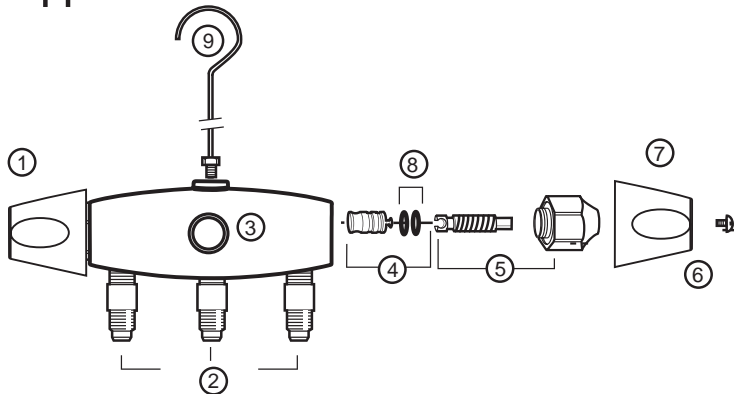
- **MODEL NUMBER**
- **FOUR DIGIT SERIAL NUMBER**
- **PART NUMBER AND DESCRIPTION**

REFERENCE	PART NO.	DESCRIPTION
1	PR-1	Sight glass
2	PR-2	Drain valve
3	PR-9	DV-3E Cover assembly includes sight glass and drain valve
3	PR-10	DV-4E and DV-6E Cover assembly includes sight glass and drain valve
4	NEW PR-403	DV-3E Cartridge complete with O-rings and cover seal
4	NEW PR-404	DV-4E Cartridge complete with O-rings and cover seal
4	NEW PR-406	DV-6E Cartridge complete with O-rings and cover seal
5	NEW PR-217	Cover seal
6	PR-3	Shaft seal
7	PR-315	Trap intake O-ring
8	PR-208	Flexible coupler
9	PR-62	Pump base (includes rubber feet)

REFERENCE	PART NO.	DESCRIPTION
10	PR-59	Rubber foot
11	PR-207	1/2 HP, 115/230 V, 50/60 HZ Motor with line cord and switch
11	PR-206	1/2 HP Motor with line cord and switch
12	PR-31	Line cord (Emerson motor)
12	NEW PR-58	Line Cord (Marathon motor)
13	PR-54	Motor switch, rocker
14	PR-63	Intake tee with cap
15	NFT5-4	1/4" O-ring cap
16	NFT5-6	3/8" O-ring cap
17	PR-205	Cushioned handle with 3/8" NPT
18	PR-22	Oil fill plug with O-ring
19	PR-39	DV-3E splash guard with screw
19	PR-40	DV-4E and DV6E splash guard with screw
20	DV-EP6	Tethered safety cap 3/8"
Not shown	PR-18	Cartridge valve repair kit

# MANIFOLD REPAIR PARTS

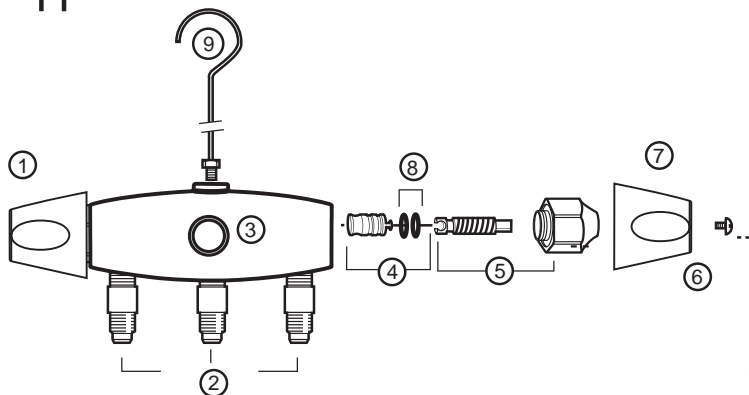
## Zeppelin Brass Series Manifold



REFERENCE	PART NO.	DESCRIPTION
1	MR-601	Hand wheel and screw
2	U1-4A	1/4" Intake
3	MR-520	Sight glass
4	MR-505	Piston with seat and O-rings
5	MR-606	Stem and nut
6	MR-601	Hand wheel and screw
7	MR-503	Hand wheel screws (two)
8	MR-509	O-rings (two)
9	M2-102N	Hanging hook

SEE PAGE 39 FOR MANIFOLD REBUILD KITS

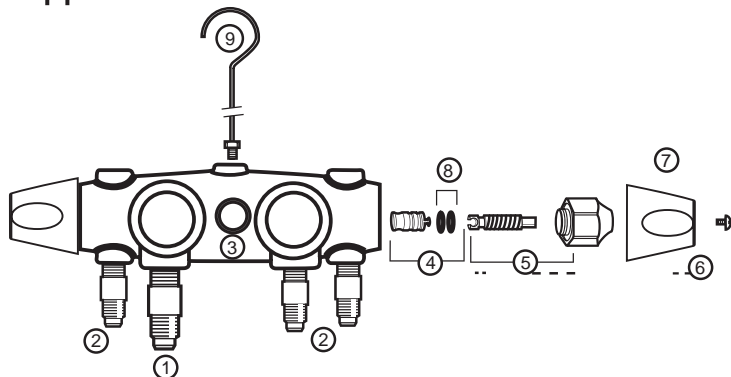
## Zeppelin Aluminum Series Manifold



REFERENCE	PART NO.	DESCRIPTION
1	MR-601	Hand wheel and screw
2	U1-4A	1/4" Intake
3	MR-520	Sight glass
4	MR-505	Piston with seat and O-rings
5	MR-606	Stem and nut
6	MR-601	Hand wheel and screw
7	MR-503	Hand wheel screws (two)
8	MR-509	O-rings (two)
9	M2-102N	Hanging hook

SEE PAGE 39 FOR MANIFOLD REBUILD KITS

## Zeppelin 4-valve Aluminum Series Manifold



REFERENCE	PART NO.	DESCRIPTION
1	U1-6B	3/8" Intake
2	U1-4A	1/4" Intake
3	MR-520	Sight glass
4	MR-605	Piston with seat and O-rings
5	MR-607	Stem and nut
6	MR-601	Hand wheel and screw
7	MR-503	Hand wheel screws (two)
8	MR-409	O-rings (two)
9	M2-102N	Hanging hook

DEEP VACUUM

CHARGING EQUIPMENT

GAUGES

HOSES

ACCESS VALVES

TOOLS & ACCESSORIES

BRASS FITTINGS

REPAIR PARTS

INDEX

# MANIFOLD REPAIR PARTS

DEEP VACUUM

CHARGING EQUIPMENT

GAUGES

HOSES

ACCESS VALVES

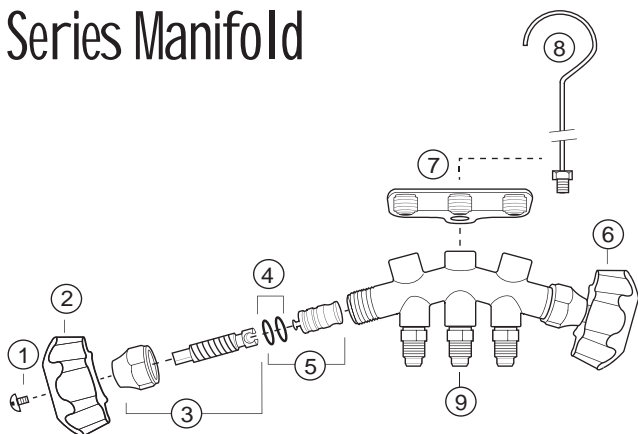
TOOLS & ACCESSORIES

BRASS FITTINGS

REPAIR PARTS

INDEX

## M2 Series Manifold

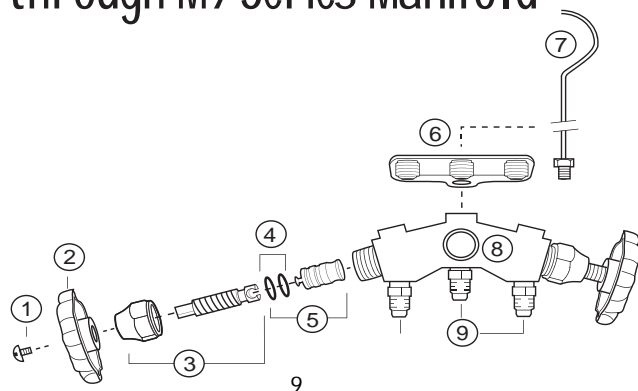


### REFERENCE PART NO. DESCRIPTION

1	MR-503	Hand wheel screw (two)
2	MR-501B	Blue Hand wheel and screw
3	MR-516	Stem and nut
4	MR-509	O-ring (two)
5	MR-505	Piston with seat and O-rings
6	MR-501R	Red Hand wheel
7	M2-300	Hose holder
8	M2-102N	Hanging hook
9	U1-4A	Intake

SEE PAGE 39 FOR MANIFOLD REBUILD KITS FOR M2 ONLY

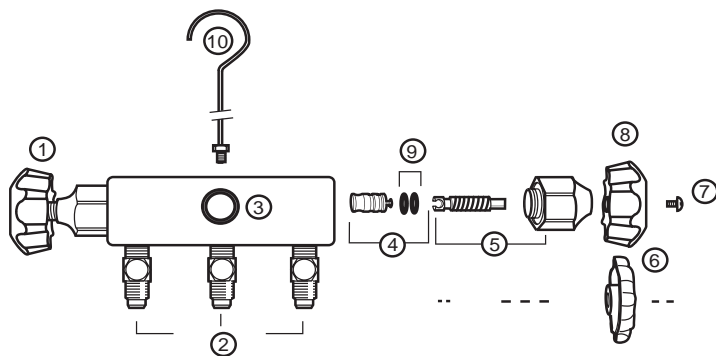
## M5 through M9 Series Manifold



### REFERENCE PART NO. DESCRIPTION

1	MR-503	Hand wheel screw (two)
2	MR-508	Metal hand wheel and screw
3	MR-516	Stem and nut
4	MR-509	O-ring (two)
5	MR-505	Piston with seat and O-rings
6	M2-300	Hose holder
6	MR-521	ACME thread hose holder
7	M2-102N	Hanging hook
8	MR-520	Sight glass
9	U1-4A	Intake
9	AF-13450	ACME Intake

## M3 Series Manifold



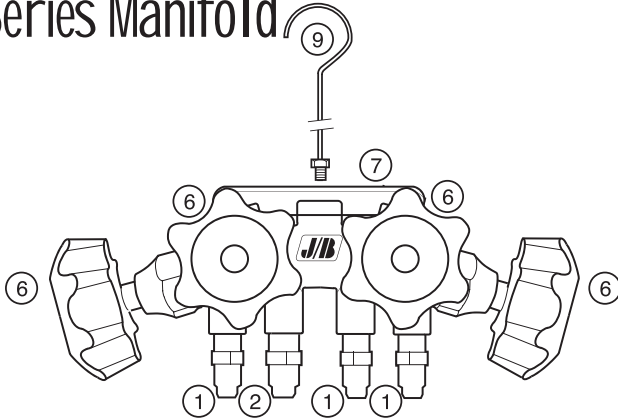
### REFERENCE PART NO. DESCRIPTION

1	MR-501B	Blue Hand wheel and screws
2	MR-550	1/4" Intake and hose holder
3	MR-520	Sight glass
4	MR-505	Piston with seat and O-rings
5	MR-560	Stem and nut
6	MR-508	Metal hand wheel and screw
7	MR-503	Hand wheel screws (two)
8	MR-501R	Red Hand wheel
9	MR-509	O-rings (two)
10	M2-102N	Hanging hook



# MANIFOLD REPAIR PARTS

## M4 Series Manifold



REFERENCE	PART NO.	DESCRIPTION
1	U1-4A	1/4" Intake
2	U1-6A	3/8" Intake
3	MR-505	Piston with seat and O-rings
4	MR-516	Stem and nut
5	MR-503	Handwheel screws
6	MR-501B	Blue Hand wheel and screw
	MR-501Y	Yellow Handwheel and screw
	MR-504B	Black Handwheel and screw
	MR-501R	Red Handwheel and screw
7	MR-531	Hose holder
8	MR-509	O-ring (2)
9	M2-102N	Hanging hook

SEE PAGE 39 FOR MANIFOLD REBUILD KITS FOR M4 ONLY

## 4 Valve Ball Valve Manifold



REFERENCE	PART NO.	DESCRIPTION
26XXX Series		Ball Valve Manifold Repair Parts
M2-102N		Hanging Hook
MR-502		Handle & Screw
MR-BVK		Ball Valve Kit Including
		(2) Seals
		(1) Stem
		(2) O-rings
		(1) Washer
MR-444		1/4" Retainer Fitting
MR-446		3/8" Retainer Fitting
MR-610		Ball
MR-544		1/4" Hose Holder Sleeve with O-ring
MR-546		3/8" Hose Holder Sleeve with O-ring
MR-504		1/4" Hose Holder Sleeve O-ring
MR-506		3/8" Hose Holder Sleeve O-ring
MR-525		Sightglass with O-ring

# PRODUCT INDEX

DEEP VACUUM

CHARGING EQUIPMENT

GAUGES

HOSES

ACCESS VALVES

TOOLS & ACCESSORIES

BRASS FITTINGS

REPAIR PARTS

INDEX

PART #	PG	PART #	PG	PART #	PG	PART #	PG	PART #	PG		
100-A	72	122-E	73	23540	23	25244	31	27976	34	28852	33
100-B	72	11175	67	23546	23	25250	31	27980	34	28854	33
100-C	72	11509	67	24000	25	25258	31	27982	34	28859	33
100-D	72	11511	67	24008	25	25265	31	27984	34	28870	33
100-E	72	11575	67	24025	25	25269	31	27986	34	28872	33
101-A	72	13493	51	24033	25	25325	31	27988	34	28874	33
101-B	72	13494	51	24040	25	25425	31	28102	32	28876	33
101-C	72	2VZR-P	39	24044	25	25500	31	28105	32	28880	33
101-D	72	2VZR-S	39	24050	25	25508	31	28170	32	28882	33
101-E	72	23000	23	24058	25	25523	31	28172	32	28884	33
103-A	72	23004	23	24065	25	25525	31	28174	32	28886	33
103-B	72	23006	23	24069	25	25533	31	28176	32	28888	33
103-C	72	23013	23	24100	25	25548	31	28180	32	28932	33
103-D	72	23017	23	24108	25	25550	31	28182	32	28935	33
103-E	72	23025	23	24125	25	25558	31	28184	32	28952	33
110-BA	73	23029	23	24133	25	25573	31	28186	32	28954	33
110-CA	73	23031	23	24140	25	25708	31	28188	32	28959	33
110-CB	73	23033	23	24144	25	25713	31	28192	32	28970	33
110-DA	73	23038	23	24150	25	26000	28	28196	32	28972	33
110-DB	73	23042	23	24158	25	26008	28	28197	32	28974	33
110-DC	73	23050	23	24165	25	26025	28	28199	32	28976	33
110-EA	73	23056	23	24169	25	26033	28	28205	32	28980	33
110-EB	73	23063	23	24200	25	26040	28	28270	32	28982	33
110-EC	73	23067	23	24208	25	26044	28	28272	32	28984	33
110-ED	73	23100	23	24225	25	26100	28	28274	32	28986	33
110-FD	73	23106	23	24233	25	26108	28	28276	32	28988	33
110-FE	73	23113	23	24240	25	26125	28	28280	32	29260	38
112-A	73	23117	23	24250	25	26133	28	28282	32	29263	38
112-B	73	23125	23	24258	25	26140	28	28284	32	29280	38
112-C	73	23131	23	24265	25	26144	28	28286	32	29285	38
112-D	73	23133	23	24325	25	26200	28	28288	32	29290	38
112-E	73	23138	23	24425	25	26208	28	28292	32	29291	38
113-A15	73	23142	23	24500	25	26225	28	28296	32	29292	38
113-A2	73	23150	23	24508	25	26233	28	28297	32	29295	38
113-A25	73	23156	23	24525	25	26240	28	28299	32	29296	38
113-A3	73	23163	23	24533	25	26244	28	28502	32	29297	38
113-A35	73	23167	23	24600	25	27752	34	28505	32	29310	38
113-B15	73	23200	23	24608	25	27754	34	28570	32	29311	38
113-B2	73	23206	23	24615	25	27759	34	28572	32	29312	38
113-B25	73	23213	23	25000	31	27770	34	28574	32	29315	38
113-B3	73	23225	23	25008	31	27772	34	28576	32	29316	38
113-B35	73	23231	23	25025	31	27774	34	28580	32	29317	38
113-C15	73	23233	23	25033	31	27776	34	28582	32	29330	38
113-C2	73	23238	23	25040	31	27780	34	28584	32	29331	38
113-C25	73	23250	23	25044	31	27782	34	28586	32	29332	38
113-C3	73	23256	23	25050	31	27784	34	28588	32	29333	38
113-C35	73	23263	23	25058	31	27786	34	28592	32	29335	38
113-D15	73	23267	23	25065	31	27788	34	28596	32	29336	38
113-D2	73	23300	23	25069	31	27852	34	28597	32	29337	38
113-D25	73	23306	23	25100	31	27854	34	28599	32	29338	38
113-D3	73	23313	23	25108	31	27859	34	28732	33	29384	38
113-D35	73	23317	23	25125	31	27870	34	28735	33	29385	38
116-A	73	23325	23	25133	31	27872	34	28752	33	29435	64
116-B	73	23331	23	25140	31	27874	34	28754	33	29436	64
116-C	73	23338	23	25144	31	27876	34	28759	33	32002	49
116-D	73	23342	23	25150	31	27880	34	28770	33	32003	49
121-A	73	23500	23	25158	31	27882	34	28772	33	33112N	52
121-B	73	23506	23	25165	31	27884	34	28774	33	33113N	52
121-C	73	23510	23	25169	31	27886	34	28776	33	3311RK	52
121-D	73	23513	23	25200	31	27888	34	28780	33	4VZR-P	39
121-E	73	23521	23	25208	31	27952	34	28782	33	4VZR-S	39
121-F	73	23525	23	25225	31	27954	34	28784	33	40200	39
122-A	73	23531	23	25233	31	27959	34	28786	33	40201	39
122-B	73	23533	23	25233-BK	29	27970	34	28788	33	40202	39
122-C	73	23535	23	25233B-BK	29	27972	34	28832	33	40203	39
122-D	73	23538	23	25240	31	27974	34	28835	33	40204	39

# PRODUCT INDEX

PART #	PG	PART #	PG	PART #	PG	PART #	PG	PART #	PG		
40205	39	A31522	47	A33000	51	CL2HD-72	43	CLE-900B	41	D10636	8, 43
40206	39	A31544	48	A33004	49	CL-36B	43	CLE-900R	41	D10660	8, 43
40207	39	A31614	48	A33500	52	CL-36R	43	CLE-900Y	41	DM2-3	19
42019	67	A31720	48	A33600	53	CL-36Y	43	CLE-1200B	41	DM2-5	19
81LB-4	73	A31722	48	A34000	14, 19, 52	CL-48B	43	CLE-1200R	41	DM2-8	19
96822	67	A31723	48	A34000ND	10, 11	CL-48R	43	CLE-1200Y	41	DM2-103	19
96823	67	A31724	48	AC-13430	53	CL-48Y	43	CLP-6B	42	DM4-3	19
A10971	65	A31725	48	AC-13435	53	CL4HD-36	43	CLP-6R	42	DMB	19
A10972	65	A31726	48	AC-15530	53	CL4HD-48	43	CLP-6Y	42	DS-200000	13
A10973	65	A31727	48	AC-15535	53	CL4HD-60	43	CLS-36B	41	DS-MOD	13
A31002	45	A31728	48	AF-13450	53	CL4HD-72	43	CLS-36R	41	DSR-10	13
A31003	45	A31729	48	AF-13450	80	CL-60B	43	CLS-36Y	41	DSR-20	13
A31004	45	A31734	48	AF-13451	53	CL-60R	43	CLS-48B	41	DSR-30	13
A31004-CJ	51	A31736	48	AF-13452	53	CL-60Y	43	CLS-48R	41	DV-3E	7
A31004S	45	A31851	47	AF-13455	53	CL6-36	42	CLS-48Y	41	DV-3E-250	7
A31005	45	A31852	47	AF-13457	53	CL6-36Y	42	CLS-60B	41	DV-3E-250EU	7
A31006	45	A31853	47	AF-13550	53	CL6-48	42	CLS-60R	41	DV-3E-250UK	7
A31006S	45	A31854	47	AVK-001	51	CL6-48Y	42	CLS-60Y	41	DV-4E	7
A31008	45	A31856	47	B1-3	69	CL6-60	42	CLS-72B	41	DV-4E-250	7
A31009	45	A31864	47	B1-4	69	CL6-60Y	42	CLS-72R	41	DV-4E-250EU	7
A31011	45	A31985	50	B1-6	69	CL6-72	42	CLS-72Y	41	DV-4E-250UK	7
A31012	46	A31985-100	50	B1-8	69	CL6-72Y	42	CLS-120B	41	DV-6E	7
A31134	46	A31986	50	B1-10	69	CL6HD-36	43	CLS-120R	41	DV-6E-250	7
A31135	46	A31992	14, 51	B1-12	69	CL6HD-48	43	CLS-120Y	41	DV-6E-250EU	7
A31136	46	A31992-100	51	B2-3	69	CL6HD-60	43	CLS-300B	41	DV-6E-250UK	7
A31138	46	A31997	50	B2-4	69	CL6HD-72	43	CLS-300R	41	DV-18	11, 14
A31140	46	A31998	50	B2-5	69	CL-72B	43	CLS-300Y	41	DV-22N	11
A31142	46	A31999	49	B2-6	69	CL-72R	43	CLS-600B	41	DV-24N	11
A31144	46	A31999-25	49	B2-8	69	CL-72Y	43	CLS-600R	41	DV-26N	11
A31148	46	A31999-100	49	B2-10	69	CLB-36	41	CLS-600Y	41	DV-29	15
A31154	46	A32004	49	B2-12	69	CLB-48	41	CLS-900B	41	DV-40	10
A31155	46	A32008	49	BRZ1000	64	CLB-60	41	CLS-900R	41	DV-40AC	10
A31156	46	A32100	50	BS-4	60	CLB-72	41	CLS-900Y	41	DV-40C	10
A31160	46	A32101	50	BS-5	60	CLBV-36B	41	CLS-1200B	41	DV-40HK	10
A31162	46	A32500N	50	BS-6	60	CLBV-36R	41	CLS-1200R	41	DV-41	10
A31164	46	A32501N	50	BS-7	60	CLBV-36Y	41	CLS-1200Y	41	DV-42N	5
A31168	46	A32504	50	BS-8	60	CLBV-48B	41	CLV-6B	42	DV-42N-250	5
A31199	46	A32505N	50	BS-10	60	CLBV-48R	41	CLV-6BL	42	DV-42N-250EU	5
A31200	46	A32525N	50	BS-12	60	CLBV-48Y	41	CLV-6R	42	DV-42N-250UK	5
A31201	46	A32550N	50	BS-55	60	CLBV-60B	41	CLV-6Y	42	DV-85N	5
A31202	46	A32600	49	BS-77	60	CLBV-60R	41	CLV-36B	41	DV-85N-250	5
A31204	46	A32601	49	C1-4	69	CLBV-60Y	41	CLV-36R	41	DV-85N-250EU	5
A31234	48	A32602	49	C1-6	69	CLBV-72B	41	CLV-36Y	41	DV-85N-250UK	5
A31235	48	A32603	49	C33804	65	CLBV-72R	41	CLV-48B	41	DV-142N	5
A31236	48	A32604	49	C33808	65	CLBV-72Y	41	CLV-48R	41	DV-142N-250	5
A31238	48	A32605	49	C33808-CTN	65	CLE-36B	41	CLV-48Y	41	DV-142N-250EU	5
A31334	46	A32700	49	CCLBV-36	41	CLE-36R	41	CLV-60B	41	DV-142N-250UK	5
A31335	46	A32701	49	CCLBV-48	41	CLE-36Y	41	CLV-60R	41	DV-200N	5
A31336	46	A32702	49	CCLBV-60	41	CLE-48B	41	CLV-60Y	41	DV-200N-250	5
A31338	46	A32703	49	CCLBV-72	41	CLE-48R	41	CLV-72B	41	DV-200N-250EU	5
A31340	46	A32704	49	CCLBV-72	41	CLE-48Y	41	CLV-72R	41	DV-200N-250UK	5
A31342	46	A32804	45	CCLE-36	41	CLE-60B	41	CLV-72Y	41	DV-285N	5
A31344	46	A32805	45	CCLE-60	41	CLE-60R	41	CLV6-36	42	DV-285N-250	5
A31348	46	A32806	45	CCLE-72	41	CLE-60Y	41	CLV6-48	42	DV-285N-250EU	5
A31424	48	A32808	45	CCLS-36	41	CLE-72B	41	CLV6-60	42	DV-285N-250UK	5
A31434	48	A32810	45	CCLS-48	41	CLE-72R	41	CLV6-72	42	DV-291	15
A31444	48	A32812	45	CCLS-60	41	CLE-72Y	41	COOKIE JAR	51	DV-292	15
A31452	47	A32814	45	CCLS-72	41	CLE-120B	42	CV-20004	52	DV-293	15
A31454	47	A32818	45	CCLV-6	42	CLE-120R	41	CV-20006	52	DV-294	8
A31482	47	A32904	45	CCLV-36	41	CLE-120Y	41	D10053	9	DV-294	15
A31484	47	A32905	45	CCLV-48	41	CLE-300B	41	D10160	9	DV-295	15
A31492	47	A32906	45	CCLV-60	41	CLE-300R	41	D10162	9	DV-EP6	9, 77, 78
A31494	47	A32908	45	CCLV-72	41	CLE-300Y	41	D10244	9	DV-EP8	9, 77, 78
A31512	47	A32910	45	CL2HD-36	43	CLE-600B	41	D10266	9	DV-F6	9
A31514	47	A32912	45	CL2HD-48	43	CLE-600R	41	D10436	8, 43	DV-F8	9
A31520	48	A32914	45	CL2HD-60	43	CLE-600Y	41	D10472	8, 43	DVO-1	8

DEEP VACUUM

CHARGING EQUIPMENT

GAUGES

HOSES

ACCESS VALVES

TOOLS & ACCESSORIES

BRASS FITTINGS

REPAIR PARTS

INDEX

# PRODUCT INDEX

PART #	PG	PART #	PG	PART #	PG	PART #	PG	PART #	PG	PART #	PG
DVO-12	8	FP-B-210	69	M2-465	35	M4-22125	27	N5-10	70	PR-32	77
DVO-24	8	FP-B-283	69	M2-465B	35	M4-22131	27	N5-12	70	PR-35	77
E1-2A	69	FP-C-168	69	M2-465C	35	M4-22225	27	NFT5-4	50, 77, 78	PR-39	78
E1-3A	69	FP-C-210	69	M2-500	35	M4-22231	27	NFT5-4-100	50	PR-40	77, 78
E1-4A	69	FP-C-283	69	M2-500B	35	M4R-P	39	NFT5-4-101	70	PR-42	77
E1-4B	69	FU-4B-168	70	M2-500C	35	M4R-S	39	NFT5-4-CJ	51	PR-45	77
E1-4C	69	FU-4B-210	70	M2-800	36	MKDS03	75	NFT5-6	50, 77, 78	PR-52	77
E1-5A	69	FU-4B-283	70	M2-805	36	MKDS04	75	NFT5-6-100	50	PR-54	77, 78
E1-5B	69	FU-4C-168	70	M2-810	36	MKDS05	75	NFT5-6-101	70	PR-55	77
E1-5C	69	FU-4C-210	70	M2-815	36	MKDS22	75	NRS4-43	70	PR-56	77
E1-6A	69	FU-4C-283	70	M2-820	36	MKDS23	75	NRS4-54	70	PR-58	77, 78
E1-6B	69	FU-6C-168	70	M2-825	36	MKDS27	75	NRS4-64	70	PR-59	77, 78
E1-6C	69	FU-6C-210	70	M2-828	36	MKDS51	75	NRS4-65	70	PR-62	77, 78
E1-6D	69	FU-6C-283	70	M2-829	36	MKDS52	75	NRS4-86	70	PR-63	78
E1-6E	69	GTBG-12	64	M2-830	36	MKDS56	75	NRS4-108	70	PR-75	77
E1-8B	69	GTBG-16	64	M2-831	36	MKDS58	75	NRS4-1210	70	PR-200	77
E1-8C	69	HNS4-4	70	M2-851	36	MKDS59	75	NS4-3	70	PR-201	77
E1-8D	69	HNS4-6	70	M2-856	36	MR-409	79	NS4-4	70	PR-202	77
E1-8E	69	HNS4-8	70	M2-860	37	MR-444	81	NS4-4-CS	70	PR-203	77
E1-10C	69	HNS4-10	70	M2-865	37	MR-446	81	NS4-5	70	PR-204	77
E1-10D	69	HNS4-12	70	M2-870	37	MR-501B	80, 81	NS4-6	70	PR-205	77, 78
E1-10E	69	K1-1	69	M2-875	37	MR-501R	80, 81	NS4-6-CS	70	PR-206	77, 78
E1-12D	69	K1-3	69	M2-880	37	MR-501Y	81	NS4-8	70	PR-207	77, 78
E1-12E	69	K1-5	69	M2-885	37	MR-502	81	NS4-8-CS	70	PR-208	77, 78
E2-2	69	K1-8	69	M2-890	37	MR-503	79, 80, 81	NS4-10	70	PR-209	77
E2-3	69	K1-D	70	M2-895	37	MR-504	81	NS4-10-CS	70	PR-210	77
E2-4	69	K1-E	70	M2-924	36	MR-504B	81	NS4-12	70	PR-211	77
E2-5	69	LC-4	39	M2-925	36	MR-505	79, 80, 81	NS4-12-CS	70	PR-214	77
E2-6	69	LC-5	39	M2-951	36	MR-506	81	NS4-14	70	PR-215	77
E2-8	69	LD-5000	12	M2-956	36	MR-508	80	NST4-4	70	PR-216	77
E2-10	69	LD-S100	12	M2R-P	39	MR-509	79, 80, 81	NST4-6	70	PR-217	78
E2-12	69	LT-456	51	M2R-S	39	MR-516	80, 81	NST4-8	70	PR-300	77
E3-4A	69	LT-810	51	M2-21125	21	MR-517	39	NST4-10	70	PR-301	77
E3-4B	69	M2-5	21	M2-21125B	21	MR-520	79, 80, 81	NV62-4	55	PR-302	77
E3-5B	69	M2-5-410A	21	M2-21131	21	MR-521	80	P2-3	70	PR-303	77
E3-6A	69	M2-5-410AB	21	M2-21131B	21	MR-525	81	P2-4	70	PR-304	77
E3-6B	69	M2-5B	21	M2-21525	21	MR-531	81	P2-5	70	PR-308	77
E3-6C	69	M2-6	21	M2-21525B	21	MR-533	39	P2-6	70	PR-311	77
E3-6D	69	M2-6B	21	M2-21531	21	MR-544	81	P2-8	70	PR-314	77
E3-8C	69	M2-8	21	M2-21531B	21	MR-546	81	P2-10	70	PR-315	77, 78
E3-8D	69	M2-8-410A	21	M2-22125	21	MR-550	80	P2-12	70	PR-403	78
E3-8E	69	M2-8-410AB	21	M2-22131	21	MR-560	80	P509	50, 52	PR-404	78
E3-10D	69	M2-8B	21	M2-22225	21	MR-591	38	P509-25	50	PR-406	78
E3-10E	69	M2-36	21	M2-22231	21	MR-592	38	P511	41	PR-500	77
E4-44	69	M2-36B	21	M2-22325	21	MR-593	38	P90008	43	PR-501	77
E4-66	69	M2-102N	79, 80, 81	M2-22425	21	MR-594	38	P90009	8, 9-11,	PS-10	64
E4-88	69		80, 81	M2-22525	21	MR-595	38		15, 43, 51, 52, 77	PS-25	64
ER2-64	69	M2-106	39	M2-22531	21	MR-596	38	P90010	50	PS-50	64
ER2-84	69	M2-108	39	M2-23125	21	MR-597	38	P90011	50	QC-13445-134a	53
ER2-86	69	M2-250	35	M2-23131	21	MR-601	79	P90012	8, 9, 52	QC-E3	52
ER2-108	69	M2-250B	35	M2-23225	21	MR-605	79	P90016	43	QC-E4	52
ES2-44	69	M2-250C	35	M2-23231	21	MR-606	79	P90022	41	QC-E5	52
ES2-66	69	M2-300	80	M4-5	27	MR-607	79	P90513	52	QC-E64	9, 52
ES2-68	69	M2-350	35	M4-5-410A	27	MR-610	81	P90514	41	QC-S3	52
ES2-88	69	M2-355	35	M4-5-410AB	27	MR-BVK	81	PR-1	77, 78	QC-S4	52
ES4-44	69	M2-400	37	M4-5B	27	N4-4	70	PR-2	77, 78	QC-S4A	52
ES4-66	69	M2-405	37	M4-8	27	N4-5	70	PR-3	77, 78	QC-S4A-134a	53
ES4-88	69	M2-410	35	M4-8-410A	27	N4-6	70	PR-4	77	QC-S4B	52
ES4-1010	69	M2-415	35	M4-8-410AB	27	N4-8	70	PR-5	77	QC-S5	52
ES4-1212	69	M2-420	35	M4-8B	27	N4-10	70	PR-7	77	QC-S46	52
EZ-40288	51	M2-425	35	M4-36	27	N4-12	70	PR-9	78	QC-S64	9, 52
EZ-40288-126	51	M2-430	35	M4-36B	27	N5-3	70	PR-10	78	QC-S65	52
FP-A-168	69	M2-435	35	M4-21125	27	N5-4	70	PR-18	77, 78	RG-33600	53
FP-A-210	69	M2-460	35	M4-21125B	27	N5-5	70	PR-22	77, 78	RT11006	58
FP-A-283	69	M2-460B	35	M4-21131	27	N5-6	70	PR-24	77	RT12318	62
FP-B-168	69	M2-460C	35	M4-21131B	27	N5-8	70	PR-31	77, 78	RT12428	62

# PRODUCT INDEX

PART #	PG	PART #	PG	PART #	PG	PART #	PG	PART #	PG		
RT125000	62	RT70142	57	T2-4	11, 70	TC-64-100	65	U3-8C	71	UX1-4B	72
RT15031V	63	RT70150	59	T2-5	70	TC-70-100	65	U3-8D	71	UX2-4	72
RT15032V	63	RT70151	59	T2-6	70	TC-70-12	65	U3-8E	71	V34200	54, 55
RT15033V	63	RT70152	59	T2-8	70	TC-75-100	65	U3-10C	71	V34201	54, 55
RT15222X	63	RT70153	59	T2-HKA	64	TC-75-9	65	U3-10D	71	V34202	54, 55
RT15223X	63	RT70154	59	T2-10	70	TC-80-10	65	U3-10E	71	V34203	54, 55
RT15224X	63	RT70159	59	T2-12	70	TC-80-100	65	U4-4	72	V34204	54, 55
RT15225X	63	RT70160	59	T20095	61	TC-85-100	65	U4-6	72	V34206	54, 55
RT15226X	63	RT70161	59	T20195	61	TC-85-9	65	U4-8	72	V34207	54, 55
RT15227X	63	RT70235	59	T20203	61	TC-90-100	65	U4-10	72	V34208	54, 55
RT16001	63	RT70285	57	T20275	61	TC-90-7	65	U4-12	72	V34209	54, 55
RT16002	63	RT70286	57	T20351	63	TC-100-10	65	U5-4A	72	V34210	54, 55
RT16101	63	RT70401	56	T20352	63	TC-100-100	65	U5-4B	72	V34211	54, 55
RT16102	63	RT70402	56	T20353	63	TR2-446	71	U5-6B	72	V34300	54
RT16201	63	RT70521	58	T20500	61	TR2-664	71	U5-8C	72	V34301	54
RT16202	63	RT70522	58	T21000	61	TR2-668	71	U5-8D	72	V34302	54
RT21652B	56-58	RT70523	58	T21002	60	TR2-886	71	U6-4A	72	V34303	54
RT21655	58	RT70531	58	T21003	60	U1-2A	71	U6-4B	72	V34304	54
RT21660	58	RT70532	58	T21004	60	U1-3A	71	UR2-43	71	V34306	54
RT22124	62	RT70533	58	T21005	60	U1-3B	71	UR2-54	71	V34307	54
RT222402	61	RT70558	58	T21006	60	U1-4A	71, 79-81	UR2-64	71	V34308	54
RT222601	61	RT70905X	62	T21007	60	U1-4B	71	UR2-65	71	V34309	54
RT23022X	60	RT88802	57	T21008	60	U1-4C	71	UR2-84	71	V34310	54
RT24134	60	RT88807	57	T21010	60	U1-4D	71	UR2-86	71	V34311	54
RT24504	59	RT88808	57	T21012	60	U1-5A	71	UR2-106	71	V34350	54
RT25131	59	RT88810	57	T21014	60	U1-5B	71	UR2-108	71	V34400	54, 55
RT25136	59	RT88814	57	T21018	60	U1-5C	71	UR2-128	71	V34401	54, 55
RT25140	59	RT90614	59	T21024	60	U1-6A	71	UR2-1210	71	V34402	54, 55
RT25141	59	RT99016	56	T21124	64	U1-6B	71, 79, 81	UR3-43	71	V34404	54, 55
RT25142	59	SCT-1030	53	T21125U	64	U1-6C	71	UR3-46	71	V34406	54, 55
RT25151	59	SH-35N	14	T21126U	64	U1-6D	71	UR3-48	71	V34407	54, 55
RT25913	59	SH-36N	14	T21127	64	U1-6E	71	UR3-64	71	V34408	54, 55
RT25914	59	SH-51	14, 19	T21227U	64	U1-8A	71	UR3-84	71	V34409	54, 55
RT26036	61	SH-54	14	T21294	60	U1-8B	71	UR3-86	71	V34500	54
RT26715	61	SH-55	14	T3-4A	71	U1-8C	71	UR3-108	71	V34501	54
RT50063	57	SH-56	14, 19	T3-4B	71	U1-8D	71	UR3-810	71	V34502	54
RT52000	58	SH-58	14	T3-5B	71	U1-8E	71	UR3-1012	71	V34504	54
RT52010	58	SH-59	19	T3-6B	71	U1-10B	71	UR3-1210	71	V34506	54
RT52011	58	SH-60	19	T3-6C	71	U1-10C	71	US3-44	71	V34507	54
RT52030	57	SK-35N	14	T3-6D	71	U1-10D	71	US3-45	71	V34508	54
RT52042	58	SK-36N	14	T3-8C	71	U1-10E	71	US3-46	71	V34509	54
RT52176	63	SK-40012	14	T3-8D	71	U1-12C	71	US3-64	71	V34525	54
RT52178	63	SK-40134A	14	T3-10D	71	U1-12D	71	US3-65	71	V34900	55
RT59000	57	SK-40404A	14	T30251	64	U1-12E	71	US3-66	71	V34901	55
RT59001	57	SK-40410A	14	T6-4	71	U1-14E	71	US3-68	71	V34905	55
RT59060	57	SK-40502	14	TC-26-100	65	U2-2	71	US3-86	71	V34910	55
RT59070	57	SK-40507	14	TC-26-16	65	U2-3	71	US3-88	71		
RT59080	57	SK-50012	14	TC-31-100	65	U2-4	71	US3-108	71		
RT70007X	56	SK-50134A	14	TC-31-12	65	U2-5	71	US3-610	71		
RT70015	56	SK-50404A	14	TC-36-100	65	U2-6	71	US3-810	71		
RT70017B	56, 57	SK-50410A	14	TC-36-12	65	U2-8	71	US3-1010	71		
RT70017D	56, 57	SK-50502	14	TC-42-100	65	U2-10	71	US3-1012	71		
RT70020	56	SK-50507	14	TC-42-12	65	U2-12	71	US3-1014	71		
RT70021	56	T1-4A	70	TC-44-100	65	U2-14	71	US3-1212	71		
RT70027	56	T1-4B	70	TC-44-12	65	U3-2A	71	US3-1214	71		
RT70029	56	T1-4C	70	TC-49-100	65	U3-3A	71	US4-4	72		
RT70030	57	T1-5B	70	TC-49-11	65	U3-4A	71	US4-5	72		
RT70045	57	T1-6B	70	TC-50-100	65	U3-4B	71	US4-6	72		
RT70051D	57	T1-6C	70	TC-50-11	65	U3-4C	71	US4-8	72		
RT70056D	56	T1-6D	70	TC-54-100	65	U3-5A	71	US4-10	72		
RT70057D	57	T1-8B	70	TC-54-11	65	U3-5B	71	US5-1010	72		
RT70060	57	T1-8C	70	TC-55-100	65	U3-6A	71	US5-1212	72		
RT70061D	57	T1-8D	70	TC-55-11	65	U3-6B	71	US5-44	72		
RT70075	58	T1-10C	70	TC-59-10	65	U3-6C	71	US5-66	72		
RT7007B	56	T1-10D	70	TC-59-100	65	U3-6D	71	US5-88	72		
RT70105	56	T2-3	70	TC-64-10	65	U3-8B	71	UX1-4A	72		

DEEP VACUUM

CHARGING EQUIPMENT

GAUGES

HOSES

ACCESS VALVES

TOOLS & ACCESSORIES

BRASS FITTINGS

REPAIR PARTS

INDEX

## INTERNATIONAL SALES AGENTS



1

**WILDON MARKETING**

Bill Northam  
(Oshwa, Ontario, Canada)  
Territory: Canada  
Ph: 905-432-6822  
e-mail:  
bdnortham@rogers.com

2

**ALLTEMP PRODUCTS CO., LTD.**

(Pickering, Ontario, Canada)  
Territory: Canada  
Ph: 800-263-4624  
e-mail: sales@alltemp.ca

3

**GUNDER & ASSOCIATES**

Pedro Morales  
(Monterrey, Mexico)  
Territory: Mexico  
Ph: 011-52(81)-8347-5542  
e-mail: gunder@intercable.net

4

**HARTLAND CONTROLS**

Amer Jaber  
(Amman, Jordan)  
Territory: Middle East  
Ph: 962-6-552-3615  
e-mail: ajaber@hartlandcontrols.com

5

**EMEA ASSOCIATES**

Eugene O'Rourke  
(San Diego, CA USA)  
Territory: Republic of South Africa  
Ph: 858-349-2927  
e-mail: cafr01@san.rr.com

6

**MRE INTERNATIONAL CORP.**

Shepard Goodman  
(Pacific Palisades, CA USA)  
Territory: Far East  
Ph: 310-459-1333  
e-mail: acexporter@aol.com

7

**BASIL VR. GREATREX PTY. LTD.**

Richard Mort  
(Seven Hills, NSW Australia)  
Territory: Australia  
Ph: 612-9-620-4599  
e-mail: rmort@jsea.com.au

8

**JB INDUSTRIES**

(Aurora, IL USA)  
Territory: Worldwide  
Ph: 011-630-851-9444  
e-mail: sales@jbind.com

## UNITED STATES SALES AGENTS



**1** **GIMPER IV, INC.**  
Dan Clark  
Ph: 518-885-8901  
e-mail: Gimperiv@aol.com

**2** **BIRDSONG & ASSOCIATES**  
Bill Birdsong  
Ph: 732-854-9609  
e-mail: BirdsongNJ@aol.com

**3** **ROBERT H HESTER LLC**  
Robert Hester  
Ph: 540-336-3940  
e-mail: rhh71@msn.com

**4** **SOUTHLAND MARKETING, INC.**  
John Forbes  
Ph: 770-760-0627  
e-mail: johnfsmi@aol.com  
  
Jim LeFlore  
jlefloresmi@aol.com

**5** **LEONE GREEN & ASSOCIATES**  
Frank Leone  
Ph: 800-843-6034  
e-mail: sales@leonegreen.com

**6** **THE EBY COMPANY**  
Tom Eby  
Ph: 440-232-1144  
e-mail: treby@theebyco.com

**7** **CHRISTIAN & COMPANY**  
Jeff Christian  
Ph: 248-851-5660  
e-mail: jjchvac@aol.com

**8** **G. MILLER COMPANY**  
Brian Miller  
Ph: 815-964-5692  
e-mail: office@gmillercompany.com

**9** **RAC SALES**  
Keith Rinderknecht  
Ph: 763-785-7000  
e-mail: racsales@racsalesinc.com

**10** **CENTRAL STATES MARKETING, INC.**  
William J. Hosner  
Ph: 314-517-3002  
e-mail: bhosnercs@aol.com

**11** **RIDDELL ENTERPRISES LTD.**  
Bill Riddell  
Ph: 918-622-8918  
e-mail: reldtd@sbcglobal.net

**12** **SUPERIOR SALES & SERVICE GROUP**  
Mike Lochridge  
Ph: 832-418-1412  
e-mail: mloch@earthlink.net

**13** **OSCAR LOPEZ**  
Ph: 817-366-0903  
e-mail: oscar@jbind.com

**14** **MJM ASSOCIATES, INC.**  
Camden Marklowitz  
Ph: 303-790-7000  
e-mail: c1am@aol.com

**15** **WESTERN COMPONENT SALES**  
Zack Bray  
Ph: 888-927-2248  
e-mail:  
zack@westerncomponentsales.com

**16** **WESTERN COMPONENT SALES**  
George Kief  
Ph: 888-927-2248  
e-mail:  
george@westerncomponentsales.com  
  
Corey Smith  
corey@westerncomponentsales.com



PO BOX 1180  
601 NORTH FARNSWORTH AVE.  
AURORA, IL 60505

(P)630.851.9444 (P)800.323.0811  
(F)630.851.9448 (F)800.552.5593  
SALES@JBIND.COM  
WWW.JBIND.COM