

Evergreen Zoning

The Arzel® Evergreen Zoning system is the first aftermarket zoning product that provides blower speed control based on zone capacity requirements. Controlling Indoor Air Quantity (volume of air delivered) is vital for complete comfort and Indoor Air Quality. Since Evergreen controls the volume of delivered air, it virtually eliminates the need for an expensive bypass damper while it maximizes comfort and IAQ.

Evergreen Zoning is the industry's most energy efficient zoning system marrying the most efficient ECM technology with the ability to deliver the right volume of air to only the areas that need it. Evergreen is the solution you should be offering your customers whether they are looking for improved, more economical IAQ solutions or to enhance dehumidification performance as part of their overall comfort system.



Contractor Benefits

- **Opportunity to market enhanced comfort and energy efficiency to a growing "green" marketplace**
- **It's simple to install so you will be profitable**
- **Peace of mind afforded by knowing that Evergreen Zoning is proven and reliable**

Consumer Benefits

- **Delivering the right amount of heating and cooling just to the areas that need it, only when it's needed enhances home comfort**
- **Save energy with the most energy efficient zone system for existing homes-period**
- **Assure reliability backed by the industry's best warranty**

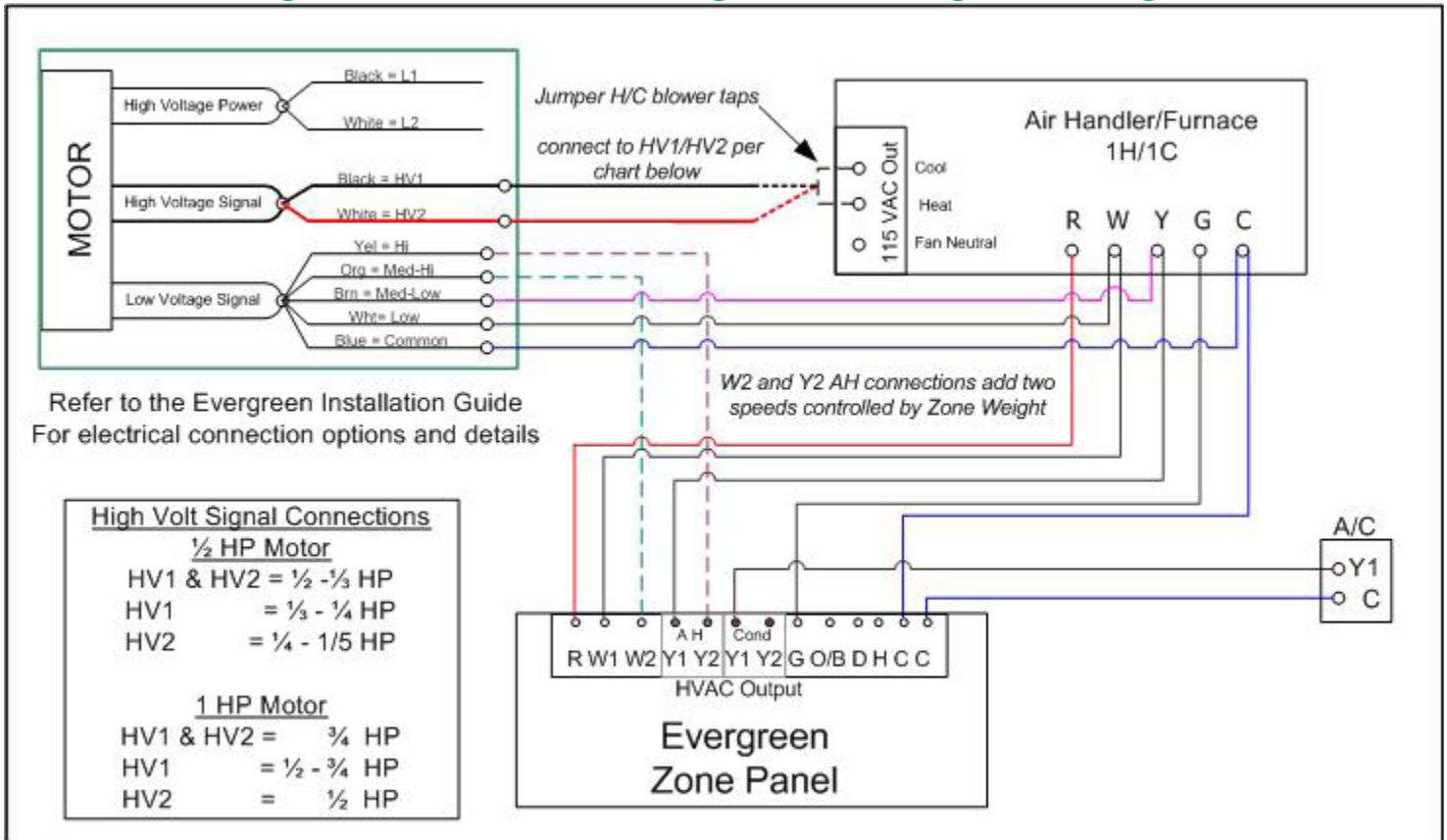
Key Control Panel Features:

- **Large, backlit LCD screen displays all operations at a glance**
- **On screen Set-up Wizard simplifies setting operational parameters**
- **Single control for all applications; single or multi-stage, heat/cool or heat pump, up to 4 zones**
- **Staging/capacity control adjustments ideally matched for ECM motor control**
- **SmartStaging designed to control equipment capacity based on thermostat demand or variable load requirements**
- **Zone Weighing control matches CFM output to available duct capacity, minimizing bypass requirements**

Key Motor Features:

- **Most efficient replacement motor currently available**
- **Dual voltage (115v or 230v) and auto reversible rotation motor- assures equipment compatibility**
- **Only 2 models required for all sizes from 1/5 to 3/4 horse power which minimizes stock**
- **Enhances IAQ functionality while providing ultra quiet operation**
- **Proven design from the ECM motor technology leaders**

Evergreen Zoning Wiring Diagram



MOTOR COMPARISON

	PSC MOTOR	STANDARD ECM (X13)	PREMIUM ECM (ThinkTank™ 2.3 & 3.0)	ECM RETROFIT (Evergreen™)
TECHNOLOGY	Induction Motor	Brushless DC	Brushless DC	Brushless DC
AVAILABLE HORSEPOWER	1/3, 1/2, 3/4, 1 HP	1/3, 1/2, 3/4, 1 HP	1/3, 1/2, 3/4, 1 HP	1/2, 1 HP
SPEEDS	Select 1-5 taps	Select 1-5 taps	Variable-speed	Select 1-5 profiles
SPEED RANGE	800-1100 RPM	600-1100 RPM	200-1300 RPM	600-1200 RPM
CLIMATE PROFILES	NO	NO	YES	NO
INTELLIGENT CONTROLS	NO	Constant Torque	Constant Airflow	Speed, Compensated Profiles
ADVANCED FEATURES	NO	NO	Communicating Motor, BlaKBox™ Technology	NO
PEAK MOTOR EFFICIENCY	59%	80%	80%	80%
AVERAGE POWER * (COOLING CFM)	515 W	413 W	413 W	413 W
AVERAGE POWER * (CONTINUOUS FAN CFM)	515 W	200 W	83 W	95 W
SUMMARY	No Features, Baseline Product	Limited Features, High Efficiency	Full Features, Maximum Efficiency	Limited Features, High Efficiency
APPLICATION	Retrofit & OEM	OEM	OEM	Retrofit for indoor PSC Motors

* Average power consumption based on specified setting in a typical three-ton system.

