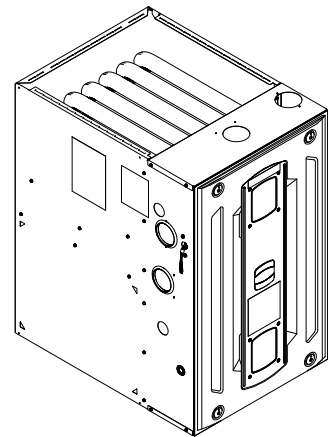


# Submittal

## Upflow/ Horizontal Left/Right Two Stage Condensing Gas Fired Furnace 80,000 BTUH

Upflow, Convertible to  
Horizontal Right or  
Horizontal Left  
S9V2B080U4PSAA



*Note: Graphics in this document are for representation only. Actual model may differ in appearance.*

TAG: \_\_\_\_\_

### **▲ SAFETY WARNING**

Only qualified personnel should install and service the equipment. The installation, starting up, and servicing of heating, ventilating, and air-conditioning equipment can be hazardous and requires specific knowledge and training. Improperly installed, adjusted or altered equipment by an unqualified person could result in death or serious injury. When working on the equipment, observe all precautions in the literature and on the tags, stickers, and labels that are attached to the equipment.



# Product Specification

MODEL	S9V2B080U4PSAA (a)
<b>TYPE</b>	Upflow/Horizontal
<b>RATINGS (b)</b>	
1st Stage Input BTUH (ICS)	52,000
1st Stage Capacity BTUH	50,440
2nd Stage Input BTUH	80,000
2nd Stage Capacity BTUH (ICS) (c) (d)	77,600
1st Stage Temp. Rise (Min.-Max.)	30 - 60
2nd Stage Temp. Rise (Min.-Max.)	35 - 65
AFUE (%)	96.0
<b>BLOWER DRIVE</b>	DIRECT
Diameter — Width (In.)	11 X 8
No. Used	1
Speeds (No.)	Variable
CFM vs. in. w.g.	See Fan Performance Table
Motor HP	3/4
RPM	Variable
Volts/Ph/Hz	120 / 1 / 60
FLA	8.0
<b>COMBUSTION FAN — Type</b>	Centrifugal
Drive — No. Speeds	Direct - 2
Motor HP — RPM	3300/2600
Volts/Ph/Hz	120 / 1 / 60
FLA	0.66
<b>FILTER — Furnished?</b>	No
Type recommended	High Velocity
Hi Vel. (No.-Size-Thk.)	1 — 16x25 — 1 in.
<b>VENT PIPE DIAMETER — Min (in.)</b> (e) (f)	2 Round
<b>HEAT EXCHANGER</b>	

MODEL	S9V2B080U4PSAA (a)
Type — Fired	409 Stainless Steel
— Unfired	29-4C Stainless Steel
Gauge (Fired)	20
<b>ORIFICES — Main</b>	
Nat. Gas Qty. — Drill Size	4 - 45
LP Gas Qty. — Drill Size	4- 56
<b>GAS VALVE</b>	Redundant - Two Stage
<b>PILOT SAFETY DEVICE</b>	
Type	120 V SiNi Igniter
<b>BURNERS — Type</b>	Multiport Inshot
Number	4
<b>POWER CONN. — V/Ph/Hz (g)</b>	120 / 1 / 60
Ampacity (In Amps)	10.8
Max. Overcurrent Protection (Amps)	15
<b>PIPE CONN. SIZE (in.)</b>	1/2
<b>DIMENSIONS</b>	H x W x D
Uncrated (In.)	34 x 17-1/2 x 28-3/4
Crated (In.)	35-1/2 x 19-1/2 x 30-7/8
<b>WEIGHT</b>	
Shipping (Lbs.)/Net (Lbs.)	135/127

(a) Meets Energy Star

(b) For U.S. applications, above input ratings (BTUH) are up to 2,000 feet, derate 4% per 1,000 feet for elevations above 2,000 feet above sea level. For Canadian applications, above input ratings (BTUH) are up to 4,500 feet, derate 4% per 1,000 feet for elevations above 4,500 feet above sea level.

(c) Central Furnace heating designs are certified to ANSI Z21.47 / CSA 2.3 — latest edition.

(d) Based on U.S. government standard tests.

(e) Refer to the Vent Length Table in the Installer's Guide.

(f) All S9V2 furnace models have a vent outlet diameter that equals 2 in.

(g) The above wiring specifications are in accordance with National Electrical Code; however, installations must comply with local codes.

# Heating and Cooling Airflow Tables

S9V2B080U4PSAA

Table 1. S9V2B080U4PSAA Heating Airflow

S9V2B080U4PSAA Furnace Heating Airflow (CFM) and Power (Watts) vs. External Static Pressure with Filter								
				1st Stage Capacity = 50,440 2nd Stage Capacity = 77,600				
Heating	Airflow Setting	Target Airflow		External Static Pressure				
				0.1	0.3	0.5	0.7	0.9
Heating 1st Stage	Low	864	CFM	914	882	849	816	783
			Temp. Rise	51	53	55	57	59
			Watts	90	131	172	213	255
	Medium Low <sup>(a)</sup>	907	CFM	940	912	885	858	831
			Temp. Rise	50	51	53	54	56
			Watts	104	141	178	215	253
	Medium	958	CFM	983	932	881	830	779
			Temp. Rise	47	50	53	55	58
			Watts	118	151	184	218	251
	High	1051	CFM	1029	1068	1107	1146	1185
			Temp. Rise	45	44	42	40	39
			Watts	155	195	235	275	314
Heating 2nd Stage	Low	1200	CFM	1207	1206	1205	1204	1203
			Temp. Rise	60	60	60	60	60
			Watts	206	258	309	361	412
	Medium Low <sup>(a)</sup>	1260	CFM	1260	1261	1262	1263	1264
			Temp. Rise	57	57	57	57	57
			Watts	232	287	342	397	452
	Medium	1330	CFM	1360	1347	1333	1320	1306
			Temp. Rise	53	53	54	54	55
			Watts	263	322	380	439	497
	High	1460	CFM	1420	1439	1458	1477	1496
			Temp. Rise	51	50	49	49	48
			Watts	377	433	489	546	602

<sup>(a)</sup> Factory Setting.

S9V2B080U4PSAA / S9V2B080D4PSAA

Table 2. S9V2B080U4PSAA / S9V2B080D4PSAA Cooling Airflow

S9V2B080U4PSAA / S9V2B080D4PSAA Furnace Cooling Airflow (CFM) and Power (Watts) vs. External Static Pressure with Filter										
Cooling	Unit Outdoor	Airflow Setting (CFM/ton)		External Static Pressure						
				0.1	0.3	0.5	0.7	0.9		
Cooling	2.5 Ton	Cooling 450 CFM/Ton	CFM	1125	1125	1125	1125	1125		
			Watts	155	205	259	316	376		
		Cooling 420 CFM/Ton	CFM	1050	1050	1050	1050	1050		
			Watts	130	177	228	282	340		
		Cooling 400 CFM/Ton	CFM	1000	1000	1000	1000	1000		
			Watts	115	160	209	262	317		
		Cooling 370 CFM/Ton	CFM	925	925	925	925	925		
			Watts	94	136	183	233	286		
		Cooling 350 CFM/Ton	CFM	875	875	875	875	875		
			Watts	82	122	167	216	267		
		Cooling 330 CFM/Ton	CFM	825	825	825	825	825		
			Watts	71	110	153	199	249		
		Cooling 310 CFM/Ton	CFM	775	775	775	775	775		
			Watts	61	98	139	184	233		
		Cooling 290 CFM/Ton	CFM	725	725	725	725	725		
			Watts	52	87	127	171	218		
		Cooling	3.0 Ton	Cooling 450 CFM/Ton	CFM	1350	1350	1350	1350	1350
					Watts	252	311	374	440	508
Cooling 420 CFM/Ton	CFM			1260	1260	1260	1260	1260		
	Watts			209	265	324	386	451		
Cooling 400 CFM/Ton	CFM			1200	1200	1200	1200	1200		
	Watts			184	237	294	354	416		
Cooling 370 CFM/Ton	CFM			1110	1110	1110	1110	1110		
	Watts			150	199	253	309	369		
Cooling 350 CFM/Ton	CFM			1050	1050	1050	1050	1050		
	Watts			130	177	228	282	340		
Cooling 330 CFM/Ton	CFM			990	990	990	990	990		
	Watts			112	156	205	258	313		
Cooling 310 CFM/Ton	CFM			930	930	930	930	930		
	Watts			95	138	185	235	288		
Cooling 290 CFM/Ton	CFM			870	870	870	870	870		
	Watts			81	121	166	214	265		

# Heating and Cooling Airflow Tables

**Table 2. S9V2B080U4PSAA / S9V2B080D4PSAA Cooling Airflow (continued)**

<b>S9V2B080U4PSAA / S9V2B080D4PSAA Furnace Cooling Airflow (CFM) and Power (Watts) vs. External Static Pressure with Filter</b>								
<b>Cooling</b>	<b>Unit Outdoor</b>	<b>Airflow Setting (CFM/ton)</b>		<b>External Static Pressure</b>				
				<b>0.1</b>	<b>0.3</b>	<b>0.5</b>	<b>0.7</b>	<b>0.9</b>
Cooling	3.5 Ton	Cooling 450 CFM/Ton	CFM	1575	1575	1575	1575	1575
			Watts	383	452	524	599	676
		Cooling 420 CFM/Ton	CFM	1470	1470	1470	1470	1470
			Watts	317	382	449	520	593
		Cooling 400 CFM/Ton	CFM	1400	1400	1400	1400	1400
			Watts	278	339	404	472	542
		Cooling 370 CFM/Ton	CFM	1295	1295	1295	1295	1295
			Watts	225	282	343	407	473
		Cooling 350 CFM/Ton	CFM	1225	1225	1225	1225	1225
			Watts	194	248	306	367	431
		Cooling 330 CFM/Ton	CFM	1155	1155	1155	1155	1155
			Watts	166	218	273	331	392
		Cooling 310 CFM/Ton	CFM	1085	1085	1085	1085	1085
			Watts	141	190	242	298	356
Cooling 290 CFM/Ton	CFM	1015	1015	1015	1015	1015		
	Watts	119	165	215	268	324		
Cooling	4.0 Ton <sup>(a)</sup>	Cooling 450 CFM/Ton	CFM	1800	1784	1746	1665	1581
			Watts	555	619	665	674	681
		Cooling 420 CFM/Ton	CFM	1680	1680	1680	1665	1581
			Watts	458	531	608	674	681
		Cooling 400 CFM/Ton	CFM	1600	1600	1600	1600	1600
			Watts	400	470	543	619	697
		Cooling 370 CFM/Ton	CFM	1480	1480	1480	1480	1480
			Watts	323	388	456	527	600
		Cooling 350 CFM/Ton <sup>(a)</sup>	CFM	1400	1400	1400	1400	1400
			Watts	278	339	404	472	542
		Cooling 330 CFM/Ton	CFM	1320	1320	1320	1320	1320
			Watts	237	295	357	421	488
		Cooling 310 CFM/Ton	CFM	1240	1240	1240	1240	1240
			Watts	201	255	314	375	439
Cooling 290 CFM/Ton	CFM	1160	1160	1160	1160	1160		
	Watts	168	220	275	334	395		

<sup>(a)</sup> Factory Setting

# General Features

## NATURAL GAS MODELS

Central Heating furnace designs are certified by the American Gas Association for both natural and L.P. gas. Limit setting and rating data were established and approved under standard rating conditions using American National Standards Institute standards.

## SAFE OPERATION

The Integrated System Control is a solid state device which continuously monitors for presence of flame when the system is in the heating mode of operation. Dual solenoid combination gas valve and regulator provide additional safety.

## QUICK HEATING

Durable, cycle tested, heavy gauge **tubular stainless steel primary heat exchanger** quickly transfers heat to provide warm conditioned air to the structure. **Low energy power vent blower**, to increase efficiency and provide a positive discharge of gas fumes to the outside.

## BURNERS

Multiport Inshot burners will give years of quiet and efficient service. All models can be converted to **L.P. gas** with LP conversion kit.

## INTEGRATED SYSTEM CONTROL

Exclusively designed operational program provides total control of furnace limit sensors, blowers, gas valve, flame control and includes self diagnostics for ease of service. Also contains dry contacts for EAC and HUM.

## ENERGY EFFICIENT OPERATION

Furnace is certified by the manufacturer to leak 1% or less of nominal air conditioning CFM delivered when pressurized to .5" water column with all inlets, outlets, and drains sealed.

## AIR DELIVERY

The variable speed blower motor has sufficient airflow for most heating and cooling requirements and will switch from heating to cooling speeds on demand from room thermostat.

## SECONDARY HEAT EXCHANGER

The S-Series furnace has a special type 29- 4C™ stainless steel secondary heat exchanger to reclaim heat from flue gases which would normally be lost.

## STYLING

**Heavy gauge steel and "wrap-around" cabinet construction** is used in the cabinet with baked-on enamel finish for strength and beauty. Every orientation has at least two venting options. There are no knockouts on cabinet.

## FEATURES AND GENERAL OPERATION

The S-Series furnace utilizes a Silicon Nitride Hot Surface Ignition system, which eliminates the waste of a constant burning pilot. The integrated system control lights the main burners upon a demand for heat from the room thermostat. Complete front service access.

- a. Low energy power venter
- b. Vent proving pressure switches.

# Features and Benefits

## **96.0% AFUE ACROSS ALL MODELS**

Meets utility rebates

Lowers utility bills

## **ELECTRICALLY EFFICIENT**

Efficient airflow design reduces electrical energy use

## **34 INCH TALL**

Lighter, easier to move and fit into tight spaces like short basements or tight closets

Works great with larger, high-efficiency coils

No knockouts

## **3-WAY MULTI-POISE / DEDICATED DOWNFLOW**

9 SKU's — Upflow / Horizontal Left / Horizontal Right

7 SKU's — Downflow

Added application flexibility and reduction in specification errors

## **AIRFLOW**

At least 400 CFM/ton at 0.5 in. H<sub>2</sub>O external static pressure; setup airflow options down to 290 CFM/ton

## **REGULATORY**

All models are air tight; 1% or less air leakage as per ASHRAE 193

Open vestibule design provides a full 34" high open vestibule

## **DIMENSIONS**

Widths are industry standard: 17.5", 21", and 24.5"

Depth remains approximately 28"

Cabinet will be compatible with industry standard coils, as well as, other accessories

## **INTEGRATED FURNACE CONTROL**

Setup / Status / Diagnostics / Digital Display

No dip switches

Last six errors stored

Dry contact EAC and HUM connections

All Molex connections; no spade terminals

Low voltage labeled above and below

Rain shield over IFC keeps condensate off the control

## **TUBULAR STAINLESS STEEL PRIMARY HEAT EXCHANGER**

## **29-4C STAINLESS STEEL SECONDARY HEAT EXCHANGER**

Stainless steel is a more durable, corrosive-resistant material than aluminized steel

Integrated rail system for easy access if required

Reduces or eliminates need for baffles

## **VORTICA II BLOWER, DESIGNED EXCLUSIVELY FOR THE S-SERIES FURNACE**

Improved airflow efficiency

Durable, easy to clean, two piece housing

Single piece belly band/ motor arm assembly

Blower deck has full-length rails for easy removal and replacement, regardless of poise

## **THREE-WAY MULTI-POISE (UPFLOW, HORIZONTAL LEFT AND RIGHT) PLUS DEDICATED DOWNFLOW**

Easier to specify

Shipped ready to install (no kits required)

Every model has at least two venting options

When in horizontal, trap extends only about 2"

Barbed fitting on trap at hose connection and on cabinet transition for hose has barbed fitting and clamps at both ends for leak resistance.

Vent table improvements including longer vent lengths; 2" pipe can be used up to 100K





The manufacturer optimizes the performance of homes and buildings around the world. A business of Ingersoll Rand, the leader in creating and sustaining safe, comfortable and energy efficient environments, the manufacturer offers a broad portfolio of advanced controls and HVAC systems, comprehensive building services, and parts. For more information, visit [www.IRCO.com](http://www.IRCO.com).

The manufacturer has a policy of continuous product and product data improvements and reserves the right to change design and specifications without notice.

©2016 Trane  
S9V2B080U4-SUB-1-EN 24 Feb 2016  
Supersedes (New)

