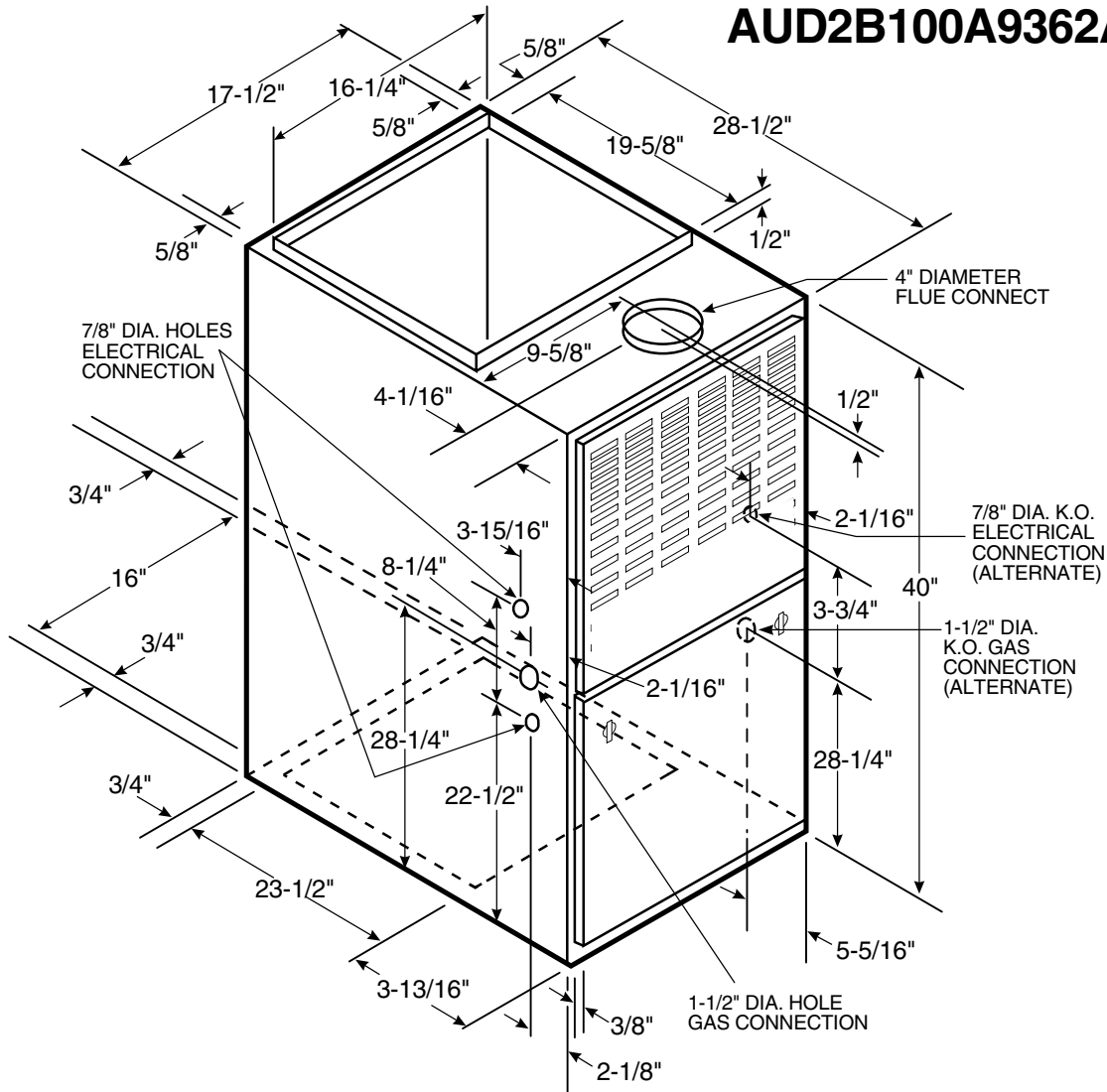


SPECIFICATION

**Upflow / Horizontal
Gas Furnace - Induced
Draft - 2 Stage Heat
AUD2B100A9362A**



FURNACE AIRFLOW (CFM) VS. EXTERNAL STATIC PRESSURE (IN. W.C.)										
MODEL	SPEED TAP	0.10	0.20	0.30	0.40	0.50	0.60	0.70	0.80	0.90
AUD2B100A9362A	4 - HIGH - Black	1476	1464	1441	1408	1363	1307	1241	1163	1074
	3 - MED.-HIGH - Blue	1249	1257	1252	1234	1203	1158	1101	1030	946
	2 - MED.-LOW - Yellow	1020	1046	1058	1050	1028	990	936	866	780
	1 - LOW - Red	873	887	890	883	864	834	794	742	680

CFM VS. TEMPERATURE RISE					
MODEL	CFM (CUBIC FEET PER MINUTE)				
	1100	1200	1300	1400	1500
AUD2B100A9362A	67	62	57	53	49

General Data ①

TYPE	Upflow / Horizontal	VENT COLLAR — Size (in.)	4 Round
RATINGS 2		HEAT EXCHANGER	
1st Stage Input BTUH	65,000	Type-Fired	Alum. Steel
1st Stage Capacity BTUH (ICS) 3	52,000	-Unfired	
2nd Stage Input BTUH	100,000	Gauge (Fired)	20
2nd Stage Capacity BTUH (ICS) 3	79,000	ORIFICES — Main	
Temp. rise (Min.-Max.) °F.	40 - 70	Nat. Gas Qty. — Drill Size	5 — 45
BLOWER DRIVE	DIRECT	L.P. Gas Qty. — Drill Size	5 — 56
Diameter-Width (In.)	10 x 7	GAS VALVE	Redundant - Two Stage
No. Used	1	PILOT SAFETY DEVICE	
Speeds (No.)	4	Type	Hot Surface Ignition
CFM vs. in. w.g.	See Fan Performance	BURNERS — Type	Multiport Inshot
Motor HP	1/3	Number	5
R.P.M.	1075	POWER CONN. — V/Ph/Hz ④	115/1/60
Volts/Ph/Hz	115/1/60	Ampacity (In Amps)	8.4
COMBUSTION FAN - Type	Centrifugal	Max. Overcurrent Protection (amps)	15
Drive - No. Speeds	Direct - 2	PIPE CONN. SIZE (IN.)	1/2
Motor HP - RPM	1/75 - 2708 / 1868	DIMENSIONS	H x W x D
Volts/Ph/Hz	115/1/60	Crated (In.)	41-3/4 x 19-1/2 x 30-1/2
F.L. Amps	0.87 / 0.49	Uncrated (In.)	40 x 17-1/2 x 28-1/2
FILTER — Furnished?	No	WEIGHT	
Type Recommended	High Velocity	Shipping (Lbs.) / Net (Lbs)	151 / 141
Hi Vel. (No.-Size-Thk.) Shipped	1 - 17x25 - 1in.		

① Central Furnace heating designs are certified to ANSI Z21.47 / CSA 2.3

② Ratings shown are for elevations up to 2000 feet. For elevations above 2000 feet; Ratings should be reduced at the rate of 4% for each 1000 feet above sea level.

③ Based on U.S. Government Standard Tests.

④ The above wiring specifications are in accordance with National Electrical Code; however, installations must comply with local codes.

Mechanical Specifications

NATURAL GAS MODELS—Central heating furnace designs are certified to ANSI Z21.47 / CSA 2.3 for both natural and L.P. gas. Limit setting and rating data were established and approved under standard rating conditions using American National Standards Institute standards.

SAFE OPERATION—The Integrated System Control has solid state devices, which continuously monitor for presence of flame, when the system is in the heating mode of operation. Dual solenoid combination gas valve and regulator provide extra safety.

QUICK HEATING—Durable, cycle tested, heavy gauge **aluminized steel heat exchanger** quickly transfers heat to provide warm conditioned air to the structure. **Low energy power vent blower**, to increase efficiency and provide discharge of gas fumes to the outside, allows common venting with hot water heater.

BURNERS—Multi-port, in-shot burners will give years of quiet and efficient service. All models can be converted to **L.P. gas** without changing burners.

INTEGRATED SYSTEM CONTROL—Exclusively designed operational program provides total control of furnace limit sensors, blowers, gas valve, flame control and includes self diagnostics for ease of service.

AIR DELIVERY—The multispeed, direct-drive blower motor, with sufficient airflow range for most heating and cooling requirements, will switch from heating to cooling speeds on demand from room thermostat. The blower door safety switch will prevent or terminate furnace operation when the blower door is removed. (Fan relay and 35VA control transformer is standard).

STYLING—**Heavy gauge steel and "wraparound" cabinet construction** is used in the cabinet with baked-on enamel finish for strength and beauty. The heat exchanger section of the cabinet is completely lined with foil-faced fiberglass insulation. This results in quiet and efficient operation due to the excellent acoustical and insulating qualities of fiberglass.

FEATURES AND GENERAL OPERATION—These High Efficiency Gas Furnaces employ a Hot Surface Ignition system, which eliminates the waste of a constantly burning pilot. The integrated system control lights the main burners upon a demand for heat from the room thermostat. Complete front service access.

- Low energy power venter.
- Vent proving differential switch.

American Standard Heating & Air Conditioning has a policy of continuous product and product data improvement and it reserves the right to change specifications and design without notice.

American Standard
Heating & Air Conditioning
6200 Troup Highway
Tyler, TX 75711
www.americanstandardair.com



Library	Unitary
Product Section	Furnaces
Product	Furnace
Model	AUD2
Literature Type	Submittal
Sequence	-
Date	08/09
File No.	AUD2B100-SPEC-2A
Supersedes	AUD2B100-SPEC-2