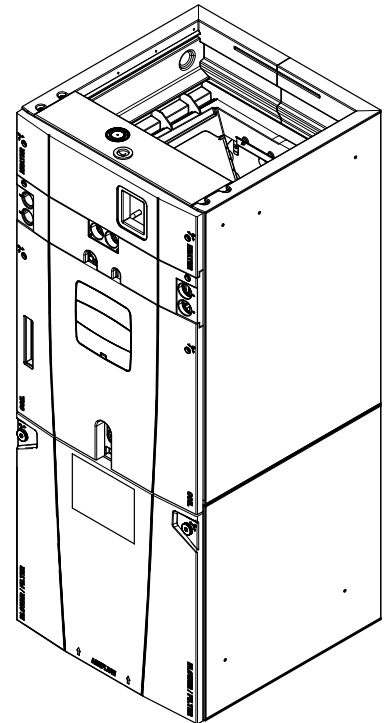


# Specification

## 2-1/2 Ton Convertible Air Handler TAM7A0B30H21SC

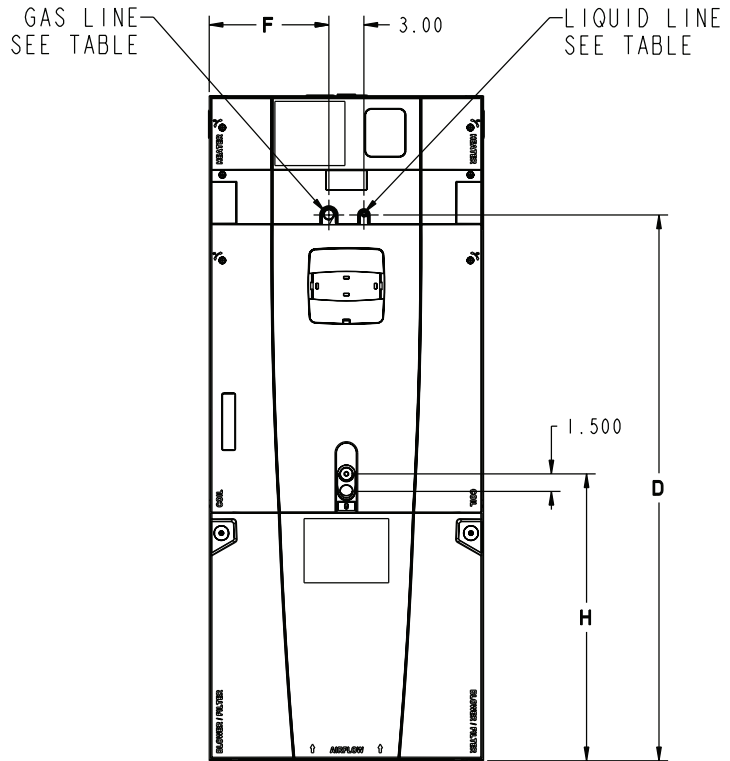
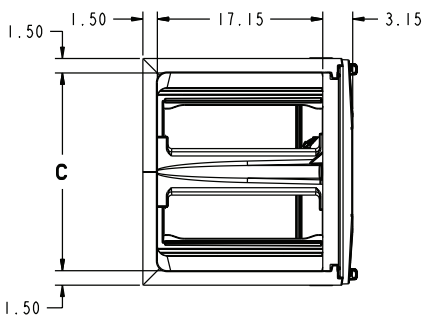
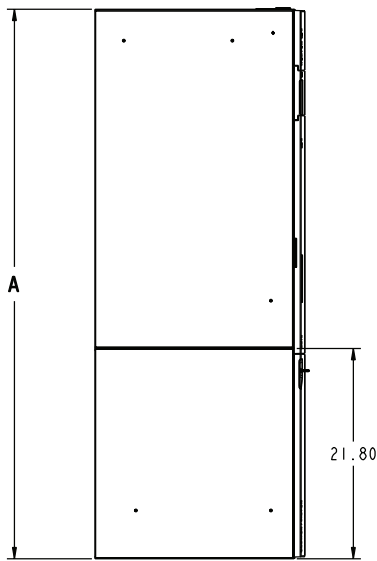
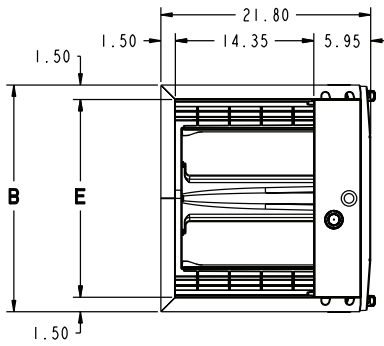


TAG: \_\_\_\_\_

### **▲ SAFETY WARNING**

Only qualified personnel should install and service the equipment. The installation, starting up, and servicing of heating, ventilating, and air-conditioning equipment can be hazardous and requires specific knowledge and training. Improperly installed, adjusted or altered equipment by an unqualified person could result in death or serious injury. When working on the equipment, observe all precautions in the literature and on the tags, stickers, and labels that are attached to the equipment.

# Outline Drawing



MINIMUM UNIT CLEARANCE TABLE		
	TO COMBUSTIBLE MATERIAL (REQUIRED)	SERVICE CLEARANCE (RECOMMENDED)
SIDES	0"	2"
FRONT	0"	21"
BACK	0"	0"
INLET DUCT	0"	
OUTLET DUCT	0"	

MODEL NO.	A	B	C	D	E	F	H	FLOW CONTROL	GAS LINE BRAZE	LIQ LINE BRAZE
TAM7A0B30H21SC	55.7	21.3	18.4	45.5	18.4	9.2	24.8	EEV	3/4	3/8

# PRODUCT SPECIFICATIONS

<b>MODEL</b>	<b>TAM7A0B30H21SC</b>
<b>RATED VOLTS/PH/HZ.</b>	200-230/1/60
<b>RATINGS</b> <sup>(a)</sup>	See O.D. Specifications
<b>INDOOR COIL — Type</b>	Plate Fin
Rows — F.P.I.	3 — 14
Face Area (sq. ft.)	5.04
Tube Size (in.)	3/8
Refrigerant Control	EEV
Drain Conn. Size (in.) <sup>(b)</sup>	3/4 NPT
<b>DUCT CONNECTIONS</b>	See Outline Drawing
<b>INDOOR FAN — Type</b>	Centrifugal
Diameter-Width (In.)	11 x 10
No. Used	1
Drive — No. Speeds	Direct Variable
CFM vs. in. w.g.	See Fan Performance Table
No. Motors — H.P.	1 — 1/2
Motor Speed RPM	Variable ECM
Volts/Ph/Hz	208-230/1/60
F.L. Amps	3.0
<b>FILTER</b>	
Filter Furnished?	No
Type Recommended	Throwaway
No.-Size-Thickness	1 — 20 x 20 — 1 in.
<b>REFRIGERANT</b>	<b>R-410A</b>
Ref. Line Connections	Brazed
Coupling or Conn. Size-in. Gas	3/4
Coupling or Conn. Size-in. Liq.	3/8
<b>DIMENSIONS</b>	H x W x D
Crated (In.)	56-1/2 x 23 x 23-1/2
Uncrated	55-11/16 x 21-5/16 x 21-3/4
<b>WEIGHT</b>	
Shipping (Lbs.)/Net (Lbs.)	150/138

<sup>(a)</sup> These Air Handlers are AHRI certified with various Split System Air Conditioners and Heat Pumps (AHRI STANDARD 210/240).

<sup>(b)</sup> 3/4" Male Plastic Pipe (Ref.: ASTM 1785-76)

<b>TAM7A0B30H21SC</b>											
Heater Model No.	No. of Circuits	240 Volt					208 Volt				
		Capacity		Heater Amps per Circuit	Minimum Circuit Ampacity	Maximum Overload Protection	Capacity		Heater Amps per Circuit	Minimum Circuit Ampacity	Maximum Overload Protection
		kW	BTUH				kW	BTUH			
No Heater	0	-	-	3.0 **	4	15	-	-	3.0 **	4	15
BAYEVAC05++1	1	4.80	16400	20.0	29	30	3.60	12300	17.3	25	25
BAYEVAC08++1	1	7.68	26200	32.0	44	45	5.76	19700	27.7	38	40
BAYEVAC10++1	1	9.60	32800	40.0	54	60	7.20	24600	34.6	47	50
BAYEVAC10LG3	1-3 PH	9.60	32800	23.1	32	35	7.20	24600	20.0	28	30
BAYEVAC15LG3	1-3 PH	14.40	42000	34.6	47	50	10.80	36900	30.0	41	45
BAYEVBC15BK1-Circuit 1 <sup>(a)</sup>	2	9.60	32800	23.1	32	35	7.20	24600	20.0	28	30
BAYEVBC15BK1-Circuit 2		4.80	16400	20.0	25	25	3.60	12300	17.3	22	25

1. \*\* Motor Amps  
 2. See Air Handler nameplate for additional information.  
 3. Heater model numbers may have additional suffix digits.

<sup>(a)</sup> MCA and MOP for circuit 1 contains the motor amps

TAM7A0B30 AIRFLOW PERFORMANCE													CONSTANT CFM MODE / CONSTANT TORQUE MODE												
OUTDOOR MULTIPLIER (TONS)	COOLING AIRFLOW SETTING			AIRFLOW POWER			EXTERNAL STATIC PRESSURE (Constant CFM / Constant Torque)			HEATING AIRFLOW SETTING			AIRFLOW POWER			EXTERNAL STATIC PRESSURE									
	0.1	0.3	0.5	0.7	0.9	0.1	0.3	0.5	0.7	0.9	0.1	0.3	0.5	0.7	0.9										
1.5 tons	360 CFM/ton	581 / 685	560 / 538	533 / 299	509 / NA	482 / NA	390 CFM	630	609	588	566	540	540	540	540										
	380 CFM/ton	618 / 711	593 / 572	569 / 359	547 / NA	524 / NA	410 CFM	657	639	621	601	578	578	578	578										
	400 CFM/ton	645 / 738	624 / 605	604 / 410	584 / NA	562 / NA	430 CFM	683	669	653	636	614	614	614	614										
	420 CFM/ton	659 / 751	639 / 621	620 / 434	602 / NA	581 / NA	450 CFM	709	698	685	669	649	649	649	649										
2 tons †	360 CFM/ton	750 / 840	741 / 726	731 / 575	719 / 344	704 / NA	390 CFM	800	797	791	781	766	766	766	766										
	380 CFM/ton	784 / 874	779 / 764	771 / 622	762 / 419	748 / NA	410 CFM	834	834	830	822	810	810	810	810										
	400 † CFM/ton	818 / 908	816 / 802	811 / 667	803 / 484	792 / NA	430 CFM	868	871	869	864	853	853	853	853										
	420 CFM/ton	835 / 924	834 / 820	831 / 689	824 / 513	813 / 180	450 CFM	902	908	908	905	895	895	895	895										
2.5 tons	360 CFM/ton	904 / 1017	908 / 921	909 / 804	907 / 658	898 / 454	390 CFM	967	977	982	982	974	974	974	974										
	380 CFM/ton	947 / 1061	957 / 968	959 / 856	958 / 718	951 / 538	410 CFM	1012	1025	1033	1034	1027	1027	1027	1027										
	400 CFM/ton	991 / 1106	1002 / 1016	1009 / 908	1010 / 779	1003 / 614	430 CFM	1057	1074	1084	1087	1078	1078	1078	1078										
	420 CFM/ton	1013 / 1129	1026 / 1040	1034 / 934	1036 / 808	1029 / 650	450 CFM	1104	1124	1136	1139	1128	1128	1128	1128										
3 tons	360 CFM/ton	1063 / 1182	1080 / 1095	1091 / 993	1094 / 873	1085 / 727	390 CFM	1147	1170	1184	1185	1170	1170	1170	1170										
	380 CFM/ton	1120 / 1241	1140 / 1157	1153 / 1059	1156 / 945	1444 / 809	410 CFM	1208	1233	1247	1245	1223	1223	1223	1223										
	400 CFM/ton	1179 / 1304	1202 / 1221	1216 / 1127	1216 / 1018	1198 / 890	430 CFM	1271	1298	1309	1300	1271	1271	1271	1271										
	420 CFM/ton	1210 / 1337	1233 / 1255	1247 / 1162	1245 / 1055	1245 / 931	450 CFM	1338	1363	1368	1350	1314	1314	1314	1314										

- Torque mode will reduce airflow when static is above approximately 0.35" water column.
- All heating modes default to Constant CFM.
- Cooling airflow values are with wet coil, no filter

- † Factory Setting
- Status LED will blink once per 100 CFM requested. In torque mode, actual airflow may be lower.

MINIMUM HEATER AIRFLOW CFM — HEATER MATRIX															
MODEL NO.	BAYEVAC05BK1AA BAYEVAC05LG1AA			BAYEVAC10BK1AA BAYEVAC10LG1AA			BAYEVAC10LG3AA			BAYEVCB15LG3AA			BAYEVCB15BK1AA BAYEVCB20BK1AA		
TAM7A0B30H215C	723/808			723/1020			765/1020			680/808			765/1063		
WITHOUT HEAT PUMP / WITH HP — SEE AIR HANDLER NAMEPLATE FOR APPROVED COMBINATIONS															

**Note:** Minimum auxiliary heating airflow is automatically configured by the air handler model and the auxiliary heater model number. This is not field adjustable.

## Features and Benefits

- Unique cabinet design
  - 2% or less air leakage
  - Precision applied — durable door seals
  - Specially designed air seal around refrigerant, condensate and conduit connections
  - Double wall foamed cabinet system
  - R-4.2 Insulating Value (Avg Insulating Value R-8.2)
  - No loose fiber design
  - Smooth cleanable interior design
  - Sweat eliminating design
  - Composite foamed cabinet doors
  - Water proof cabinet design
  - Integrated horizontal drain pans
  - Modular cabinet
- Multi-position up/down flow horizontal left/right
- Side return option (sold as accessory)
- Control board protection pocket built into cabinet wall
- Pre-marked Conduit Connection Locations
- Alert port to view control board codes without door removal
- Alert code notification
- Low voltage terminal connection point
- Phillips head door fasteners
- **Vortica**<sup>®</sup> blower with polarized plug connections and integrated slide deck for easy removal
- Aluminum coil with integrated slide deck for easy removal and polarized plug connections on coil EEV
- Patented enhanced coil fin
- Electronic Expansion Valve (EEV) with low ambient and low superheat compressor protection
- Dual refrigerant compatible as shipped
- Slide in electric heaters with polarized plug connections (sold as accessory)
- Slide in hot water coils with polarized plug connections (sold as accessory)
- UVC light kit with safety switch and polarized plug connections (sold as accessory)
- Labeled panels and connections
- Molded in 1" standard filter rail
- Variable speed ECM motor
- Soft start fan motor operation
- **Comfort R**<sup>™</sup> mode
- Built in fan delay modes
- Maximum width of 23.5"
- Compact 20.8" depth with doors removed
- Fused 24v power
- Safety door switch
- **5 Year Warranty**
- **10 Year Warranty Registered**
- **Optional Extended Warranty Available**



American Standard optimizes the performance of homes and buildings around the world. A business of Ingersoll Rand, the leader in creating and sustaining safe, comfortable and energy efficient environments, American Standard offers a broad portfolio of advanced controls and HVAC systems, comprehensive building services, and parts. For more information, visit [www.americanstandardair.com](http://www.americanstandardair.com).

American Standard has a policy of continuous product and product data improvements and reserves the right to change design and specifications without notice.