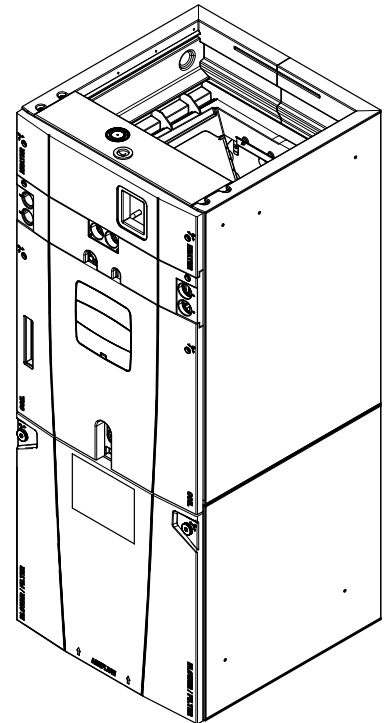


Specification

2 Ton Convertible Air Handler TAM7A0A24H21SC

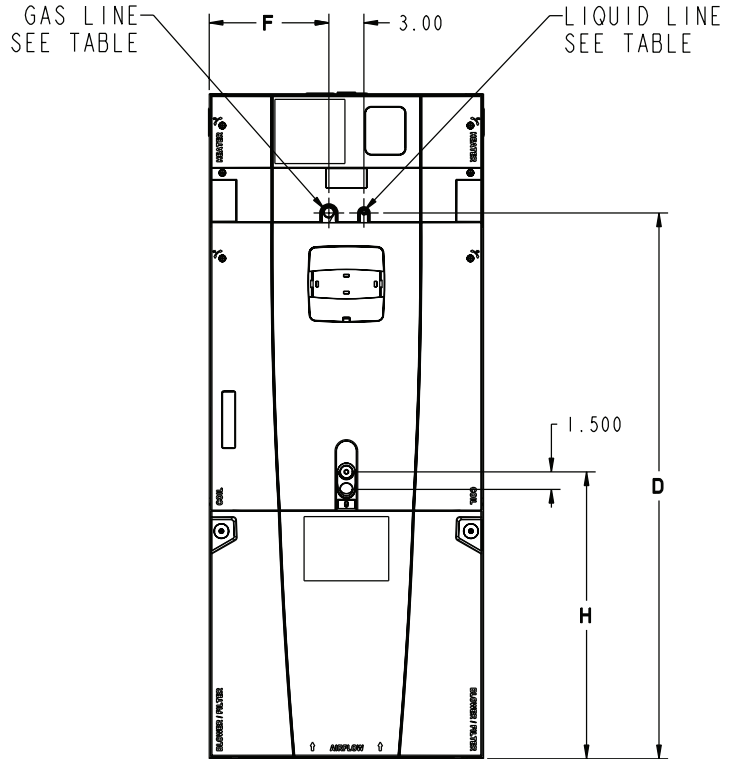
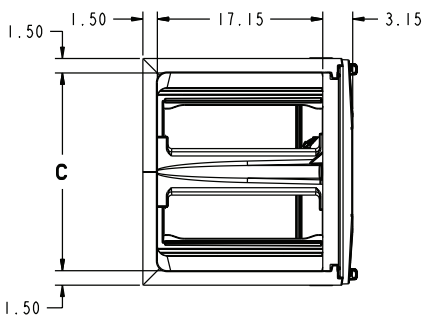
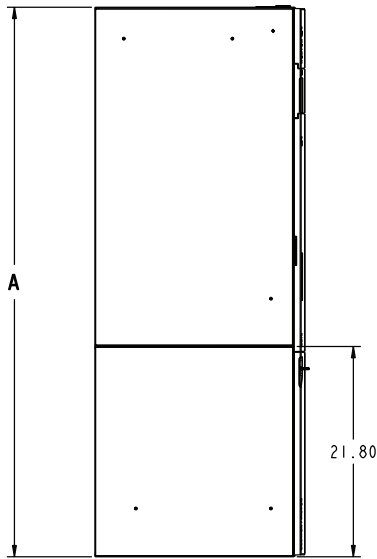
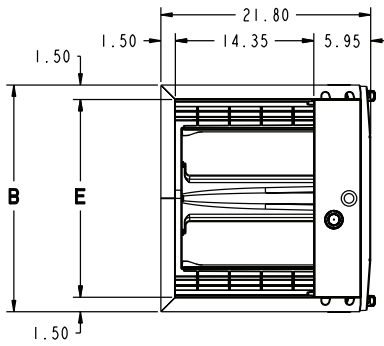


TAG: _____

▲ SAFETY WARNING

Only qualified personnel should install and service the equipment. The installation, starting up, and servicing of heating, ventilating, and air-conditioning equipment can be hazardous and requires specific knowledge and training. Improperly installed, adjusted or altered equipment by an unqualified person could result in death or serious injury. When working on the equipment, observe all precautions in the literature and on the tags, stickers, and labels that are attached to the equipment.

Outline Drawing



MINIMUM UNIT CLEARANCE TABLE		
	TO COMBUSTIBLE MATERIAL (REQUIRED)	SERVICE CLEARANCE (RECOMMENDED)
SIDES	0"	2"
FRONT	0"	21"
BACK	0"	0"
INLET DUCT	0"	
OUTLET DUCT	0"	

MODEL NO.	A	B	C	D	E	F	H	FLOW CONTROL	GAS LINE BRAZE	LIQ LINE BRAZE
TAM7A0A24H21SC	49.9	17.5	14.5	39.6	14.5	7.3	24.4	EEV	3/4	3/8

PRODUCT SPECIFICATIONS

MODEL	TAM7A0A24H21SC
RATED VOLTS/PH/HZ.	200-230/1/60
RATINGS ^(a)	See O.D. Specifications
INDOOR COIL — Type	Plate Fin
Rows — F.P.I.	3 — 14
Face Area (sq. ft.)	3.67
Tube Size (in.)	3/8
Refrigerant Control	EEV
Drain Conn. Size (in.) ^(b)	3/4 NPT
DUCT CONNECTIONS	See Outline Drawing
INDOOR FAN — Type	Centrifugal
Diameter-Width (In.)	11 x 8
No. Used	1
Drive — No. Speeds	Direct Variable
CFM vs. in. w.g.	See Fan Performance Table
No. Motors — H.P.	1 — 1/2
Motor Speed RPM	Variable ECM
Volts/Ph/Hz	208-230/1/60
F.L. Amps	3.0
FILTER	
Filter Furnished?	No
Type Recommended	Throwaway
No.-Size-Thickness	1 — 16 x 20 — 1 in.
REFRIGERANT	R-410A
Ref. Line Connections	Brazed
Coupling or Conn. Size-in. Gas	3/4
Coupling or Conn. Size-in. Liq.	3/8
DIMENSIONS	H x W x D
Crated (In.)	51-1/2 x 19 x 23-1/2
Uncrated	49-7/8 x 17 — 1/2 x 21-3/4
WEIGHT	
Shipping (Lbs.)/Net (Lbs.)	127/116

^(a) These Air Handlers are AHRI certified with various Split System Air Conditioners and Heat Pumps (AHRI STANDARD 210/240).

^(b) 3/4" Male Plastic Pipe (Ref.: ASTM 1785-76)

TAM7A0A24H21SC											
Heater Model No.	No. of Circuits	240 Volt					208 Volt				
		Capacity		Heater Amps per Circuit	Minimum Circuit Ampacity	Maximum Overload Protection	Capacity		Heater Amps per Circuit	Minimum Circuit Ampacity	Maximum Overload Protection
		kW	BTUH				kW	BTUH			
No Heater	0	-	-	3.0 **	4	15	-	-	3.0 **	4	15
BAYEVAC05++1	1	4.80	16400	20.0	29	30	3.60	12300	17.3	25	25
BAYEVAC08++1	1	7.68	26200	32.0	44	45	5.76	19700	27.7	38	40
BAYEVAC10++1 ^(a)	1	9.60	32800	40.0	54	60	7.20	24600	34.6	47	50
BAYEVAC10LG3	1-3 PH	9.60	32800	23.1	32	35	7.20	24600	20.0	28	30

1. ** Motor Amps
 2. See Air Handler nameplate for additional information.
 3. Heater model numbers may have additional suffix digits.

^(a) Heater not qualified for 208V when installed in horizontal left position without Heat Pump

TAM7A0A24 AIRFLOW PERFORMANCE										CONSTANT CFM MODE / CONSTANT TORQUE MODE									
OUTDOOR MULTIPLIER (TONS)	EXTERNAL STATIC PRESSURE (Constant CFM / Constant Torque)					COOLING AIRFLOW SETTING	AIRFLOW POWER	HEATING AIRFLOW SETTING	AIRFLOW POWER	EXTERNAL STATIC PRESSURE									
	0.1	0.3	0.5	0.7	0.9					0.1	0.3	0.5	0.7	0.9					
1.5 tons	542/652	547/559	548/407	547/NA	541/NA	360	CFM	390	CFM	586	599	600	599	595					
	38/59	67/71	101/78	137/NA	175/NA	CFM/ton	Watts	CFM/ton	Watts	46	80	115	153	192					
	574/679	583/593	587/464	588/167	581/NA	380	CFM	410	CFM	618	633	636	637	629					
	43/65	75/78	110/87	148/94	185/NA	CFM/ton	Watts	CFM/ton	Watts	53	88	124	163	202					
	605/705	618/626	624/513	625/325	618/NA	400	CFM	430	CFM	650	665	669	672	660					
2 tons †	49/71	82/85	119/96	158/101	196/NA	CFM/ton	Watts	CFM/ton	Watts	59	96	134	174	212					
	636/731	651/658	659/556	660/406	653/NA	420	CFM	450	CFM	681	696	703	704	696					
	55/78	90/93	128/105	168/112	207/NA	CFM/ton	Watts	CFM/ton	Watts	66	104	144	185	225					
	723/809	743/746	754/666	756/563	748/428	360	CFM	390	CFM	780	800	809	811	802					
	75/101	115/118	158/133	201/144	242/153	CFM/ton	Watts	CFM/ton	Watts	94	137	182	227	268					
2 tons †	761/843	782/784	793/710	796/617	788/500	380	CFM	410	CFM	818	838	848	851	842					
	86/113	128/131	172/146	216/159	259/168	CFM/ton	Watts	CFM/ton	Watts	106	151	198	244	287					
	799/877	820/821	832/751	835/666	827/561	400 †	CFM	430	CFM	856	876	887	889	881					
	97/125	141/144	187/161	233/174	276/183	CFM/ton	Watts	CFM/ton	Watts	119	167	215	262	307					
	836/911	858/858	870/792	873/712	866/615	420	CFM	450	CFM	894	913	925	927	920					
2.5 tons	109/139	155/158	203/175	250/189	294/199	CFM/ton	Watts	CFM/ton	Watts	134	183	233	282	327					
	892/979	914/930	927/869	930/796	923/796	360	CFM	390	CFM	964	986	997	1000	992					
	130/168	179/189	229/207	278/222	324/222	CFM/ton	Watts	CFM/ton	Watts	164	218	271	322	370					
	939/1024	962/976	974/918	978/849	971/766	380	CFM	410	CFM	1013	1034	1045	1049	1040					
	149/190	201/211	253/230	304/244	351/255	CFM/ton	Watts	CFM/ton	Watts	188	244	299	353	400					
3 tons	986/1070	1009/1023	1022/967	1026/901	1019/821	400	CFM	430	CFM	1063	1083	1095	1097	1089					
	170/215	225/236	279/255	332/270	380/280	CFM/ton	Watts	CFM/ton	Watts	214	273	331	385	434					
	1035/1118	1058/1072	1071/1018	1074/953	1066/877	420	CFM	450	CFM	1114	1135	1145	1145	1135					
	194/242	251/264	308/282	362/297	411/307	CFM/ton	Watts	CFM/ton	Watts	243	305	365	420	469					
	1065/1148	1088/1102	1101/1048	1103/985	1095/910	360	CFM	390	CFM	1160	1181	1190	1189	1157					
3 tons	209/261	269/282	327/301	382/315	431/325	CFM/ton	Watts	CFM/ton	Watts	272	337	397	453	486					
	1126/1209	1149/1164	1160/1111	1161/1050	1151/978	380	CFM	410	CFM	1225	1244	1249	1230	1146					
	244/301	307/322	367/341	423/355	472/364	CFM/ton	Watts	CFM/ton	Watts	317	384	444	486	477					
	1190/1271	1211/1227	1220/1175	1218/1115	1164/1046	400	CFM	430	CFM	1291	1305	1298	1217	1135					
	285/347	350/368	412/386	467/399	483/408	CFM/ton	Watts	CFM/ton	Watts	368	434	486	476	468					
TAM7A0A24H21SC	1255/1334	1273/1289	1278/1239	1237/1180	1151/1113	420	CFM	450	CFM	1355	1361	1285	1206	1124					
	331/397	397/418	459/435	483/448	475/455	CFM/ton	Watts	CFM/ton	Watts	422	485	475	467	460					
TAM7A0A24 AIRFLOW PERFORMANCE										CONSTANT CFM MODE / CONSTANT TORQUE MODE									
EXTERNAL STATIC PRESSURE (Constant CFM / Constant Torque)										EXTERNAL STATIC PRESSURE									
0.1 0.3 0.5 0.7 0.9										0.1 0.3 0.5 0.7 0.9									
AIRFLOW POWER										AIRFLOW POWER									
COOLING AIRFLOW SETTING										HEATING AIRFLOW SETTING									
AIRFLOW POWER										AIRFLOW POWER									
MODEL NO.										MODEL NO.									
TAM7A0A24H21SC										TAM7A0A24H21SC									
638/713										638/713									
BAYEVAC05BK1AA BAYEVAC05LG1AA										BAYEVAC05BK1AA BAYEVAC05LG1AA									
BAYEVAC08BK1AA BAYEVAC08LG1AA										BAYEVAC08BK1AA BAYEVAC08LG1AA									
BAYEVAC10BK1AA BAYEVAC10LG1AA										BAYEVAC10BK1AA BAYEVAC10LG1AA									
BAYEVAC15BK1AA BAYEVAC15LG3AA										BAYEVAC15BK1AA BAYEVAC15LG3AA									
BAYEVBC20BK1AA										BAYEVBC20BK1AA									
WITHOUT HEAT PUMP / WITH HP — SEE AIR HANDLER NAMEPLATE FOR APPROVED COMBINATIONS										WITHOUT HEAT PUMP / WITH HP — SEE AIR HANDLER NAMEPLATE FOR APPROVED COMBINATIONS									
638/900										638/900									
675(a)/900										675(a)/900									
600/713										600/713									
-										-									
-										-									

- † Factory Setting
- Status LED will blink once per 100 CFM requested. In torque mode, actual airflow may be lower.
- Torque mode will reduce airflow when static is above approximately 0.3" water column.
- All heating modes default to Constant CFM.
- Cooling airflow values are with wet coil, no filter

MINIMUM HEATER AIRFLOW CFM — HEATER MATRIX

Note: Minimum auxiliary heating airflow is automatically configured by the air handler model and the auxiliary heater model number. This is not field adjustable.

(a) Heater not qualified for 208V when installed in horizontal left position without Heat Pump

Features and Benefits

- Unique cabinet design
 - 2% or less air leakage
 - Precision applied — durable door seals
 - Specially designed air seal around refrigerant, condensate and conduit connections
 - Double wall foamed cabinet system
 - R-4.2 Insulating Value (Avg Insulating Value R-8.2)
 - No loose fiber design
 - Smooth cleanable interior design
 - Sweat eliminating design
 - Composite foamed cabinet doors
 - Water proof cabinet design
 - Integrated horizontal drain pans
 - Modular cabinet
- Multi-position up/down flow horizontal left/right
- Side return option (sold as accessory)
- Control board protection pocket built into cabinet wall
- Pre-marked Conduit Connection Locations
- Alert port to view control board codes without door removal
- Alert code notification
- Low voltage terminal connection point
- Phillips head door fasteners
- **Vortica®** blower with polarized plug connections and integrated slide deck for easy removal
- Aluminum coil with integrated slide deck for easy removal and polarized plug connections on coil EEV
- Patented enhanced coil fin
- Electronic Expansion Valve (EEV) with low ambient and low superheat compressor protection
- Dual refrigerant compatible as shipped
- Slide in electric heaters with polarized plug connections (sold as accessory)
- Slide in hot water coils with polarized plug connections (sold as accessory)
- UVC light kit with safety switch and polarized plug connections (sold as accessory)
- Labeled panels and connections
- Molded in 1" standard filter rail
- Variable speed ECM motor
- Soft start fan motor operation
- **Comfort R™** mode
- Built in fan delay modes
- Maximum width of 23.5"
- Compact 20.8" depth with doors removed
- Fused 24v power
- Safety door switch
- **5 Year Warranty**
- **10 Year Warranty Registered**
- **Optional Extended Warranty Available**



American Standard optimizes the performance of homes and buildings around the world. A business of Ingersoll Rand, the leader in creating and sustaining safe, comfortable and energy efficient environments, American Standard offers a broad portfolio of advanced controls and HVAC systems, comprehensive building services, and parts. For more information, visit www.americanstandardair.com.

American Standard has a policy of continuous product and product data improvements and reserves the right to change design and specifications without notice.

©2013 American Standard Heating & Air Conditioning

TAM7A0A24-SPEC-1D 26 Mar 2013

Supersedes TAM7A0A24-SPEC-1C ()