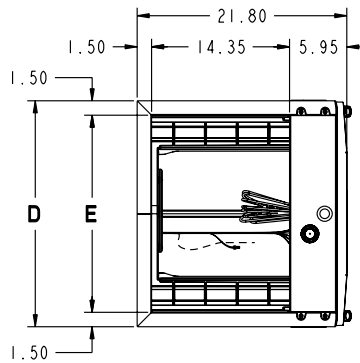


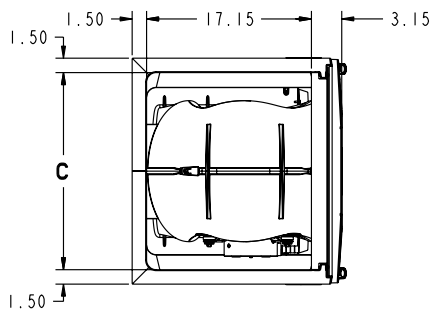
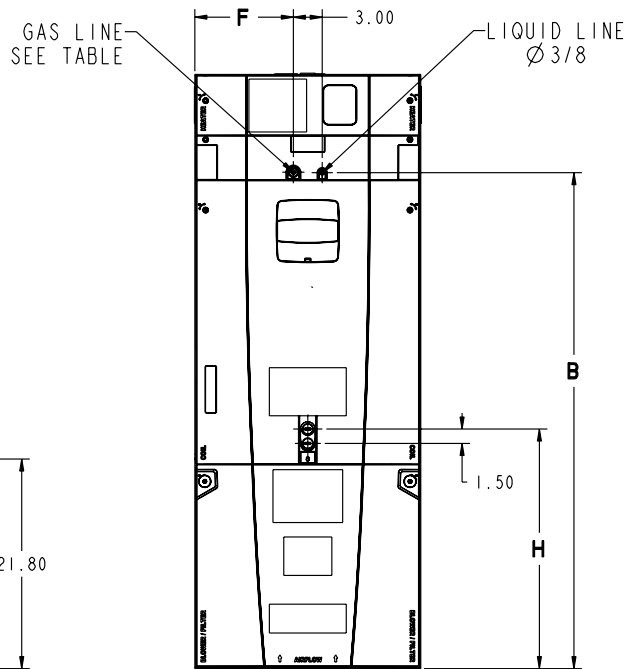
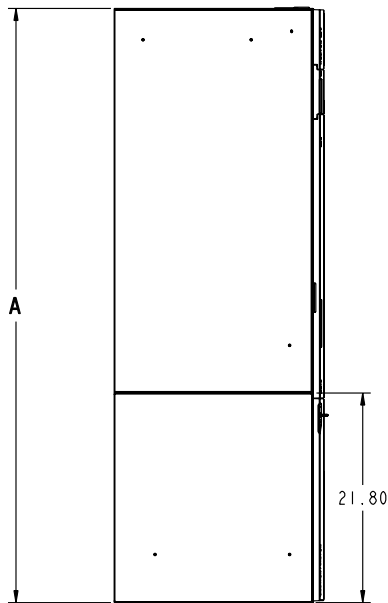
TAG: _____

Specification

3 Ton Convertible Air Handler TAM4A0A36S31SC



MINIMUM UNIT CLEARANCE TABLE		
	TO COMBUSTIBLE MATERIAL (REQUIRED)	SERVICE CLEARANCE (RECOMMENDED)
SIDES	0"	2"
FRONT	0"	21"
BACK	0"	0"
INLET DUCT	0"	
OUTLET DUCT	0"	



MODEL NO.	A	B	C	D	E	F	H	Flow Control	R-410A Gas Line BRAZE	R-410A Liq. Line BRAZE
TAM4A0A36	49.9	39.6	14.5	17.5	14.5	7.3	26.7	EEV/24V	3/4	3/8

PRODUCT SPECIFICATIONS

PRODUCT SPECIFICATIONS

MODEL	TAM4A0A36S31SC
RATED VOLTS/PH/Hz.	208-230/1/60
RATINGS ①	See O.D. Specifications
INDOOR COIL — Type	Plate Fin
Rows — F.P.I.	3 - 14
Face Area (sq. ft.)	3.67
Tube Size (in.)	3/8
Refrigerant Control	EEV
Drain Conn. Size (in.) ②	3/4 NPT
DUCT CONNECTIONS	See Outline Drawing
INDOOR FAN — Type	Centrifugal
Diameter-Width (In.)	11 X 8
No. Used	1
Drive - No. Speeds	Direct - 3
CFM vs. in. w.g.	See Fan Performance Table
No. Motors — H.P.	1 - 1/2
Motor Speed R.P.M.	1075
Volts/Ph/Hz	208-230/1/60
F.L. Amps - L.R. Amps	2.4 - 3.8
FILTER	
Filter Furnished?	No
Type Recommended	Throwaway
No.-Size-Thickness	1 - 16 X 20 - 1 in.
REFRIGERANT	R-410A
Ref. Line Connections	Braze
Coupling or Conn. Size — in. Gas	3/4
Coupling or Conn. Size — in. Liq.	3/8
DIMENSIONS	H x W x D
Crated (In.)	51 x 20 x 24-1/2
Uncrated	49-15/16 x 17-1/2 x 21-13/16
WEIGHT	
Shipping (Lbs.)/Net (Lbs.)	123/113

① These Air Handlers are A.H.R.I. certified with various Split System Air Conditioners and Heat Pumps (AHRI STANDARD 210/240). Refer to the Split System Outdoor Unit Product Data Guides for performance data.

② 3/4" Male Plastic Pipe (Ref.: ASTM 1785-76)



TAM4A0A36S31SC MINIMUM HEATER AIRFLOW CFM		
Heater	Minimum Air Speed Tap	
	With Heat Pump	Without Heat Pump
BAYE AAC05BK1AA BAYE AAC05LG1AA	Tap 1	Tap 1
BAYE AAC08BK1AA BAYE AAC08LG1AA	Tap 2 ①	Tap 2 ①
BAYE AAC10BK1AA BAYE AAC10LG1AA	Tap 3 ②	Tap 2 ②
BAYE AAC10LG3AA	Tap 1	Tap 1
BAYE ABC15BK1AA	Tap 3	Tap 2
BAYE ABC15LG3AA	Tap 3	Tap 1
BAYE ABC20BK1AA	-	-
SEE AIR HANDLER NAMEPLATE OR PRODUCT DATA FOR EXCEPTIONS		
① Heater not approved for Horizontal Left installations. Upflow installation approved for 240 Volts only.		
② Approved for 240 Volts only. Approved for Upflow only.		

Note: Heating and cooling speeds are the same, factory set at Speed Tap #2.

AIRFLOW PERFORMANCE						
TAM4A0A36S31SC						
EXTERNAL STATIC (in w.g)	AIRFLOW (CFM)					
	Speed Taps - 230 VOLTS			Speed Taps - 208 VOLTS		
	3	2 †	1	3	2 †	1
0	1456	1322	1170	1351	1189	1015
0.1	1417	1288	1140	1316	1164	990
0.2	1375	1254	1107	1279	1131	963
0.3	1328	1214	1075	1236	1100	938
0.4	1278	1179	1045	1197	1056	916
0.5	1239	1150	1018	1171	1030	888
0.6	1212	1117	983	1137	991	852
0.7	1164	1071	936	1092	948	807
0.8	1107	1017	877	1036	895	748
0.9	1040	942	799	967	828	688
1.0	953	843	724	882	753	608

NOTES:
1. Values are with wet coil and without filters.
2. Contact your particular filter manufacturer for pressure drop data.
3. Electric heater pressure drop is negligible and is included within the airflow data.
4. † Factory Setting

WIRING DATA											
TAM4A0A36S31SC											
Heater Model No.	No. of Circuits	240 VOLT					208 VOLT				
		Capacity		Heater Amps per Circuit	Minimum Circuit Ampacity	Maximum Overload Protection	Capacity		Heater Amps per Circuit	Minimum Circuit Ampacity	Maximum Overload Protection
		kW	BTUH				kW	BTUH			
No Heater	-	-	-	2.4**	3	15	-	-	2.4**	3	15
BAYEAAC05++1	1	4.80	16400	20	28	30	3.60	12300	17.3	25	25
BAYEAAC08++1 ①	1	7.68	26200	32	43	45	5.76	19700	27.7	38	40
BAYEAAC10++1 ②	1	9.60	32800	40	53	60	N/A ②	N/A ②	N/A ②	N/A ②	N/A ②
BAYEAAC10LG3	1-3PH	9.60	32800	23.1	32	35	7.20	24600	20.0	28	30
BAYEABC15LG3	1-3PH	14.40	49200	34.6	46	50	10.80	36900	30.0	40	40
BAYEABC15++1	2										
circuit 1		9.60	32800	40	53	60	7.20	24600	34.6	46	50
circuit 2		4.80	16400	20	25	25	3.60	12300	17.3	22	25

Note: ** Motor Amps
① Heater not approved for Horizontal Left installations. Upflow Installation approved for 240 Volts only.
② Approved for 240 Volts only. Approved for Upflow only.

Notes:

1. See Product Data or Air Handler nameplate for approved combinations of Air Handlers and Heaters
2. Heater model numbers may have additional suffix digits.

Mechanical Specifications

- Unique Cabinet Design
 - Double Wall Foamed and Formed Cabinet System
 - Water Proof Cabinet Design
 - \geq R-4.2 Insulating Value (Avg Insulating Value R-8.2)
 - Composite Foamed Cabinet Doors
 - Sweat Eliminating Cabinet Design
 - Loose Fiber Eliminating Cabinet Design
 - Smooth Cleanable Cabinet Design
 - 2% or Less air leakage
 - Precision Durable Door Seals
 - Modular Cabinet Design
- Multi-Position UP/Down Flow Horizontal Left / Right
- Side Return Option
- Braze in Refrigerant Connection
- Primary/Secondary Condensate Connections
- Premarked Conduit Connection Locations
- Vortica® Blower with Integrated Slide Deck for Easy Removal
- Polarized Plug connections on Blower
- Aluminum Coil with Integrated Slide Deck for Easy Removal
- Polarized Plug connections on Coil EEV
- Slide in Electric Heaters
- Polarized Plug connections for Electric Heater
- Labeled Panels and connections
- 1-1/4" to 1" And 3/4" to 1/2" Conduit connection on Left, Right and Top
- Molded in 1" Standard Filter rail
- Electronic Expansion Valve (EEV) With Low Ambient and Low Superheat Protection
- Dual Refrigerant Compatible as Shipped
- Low Voltage Terminal Connection Point
- 8 Alert Codes
- Enhanced Coil Fin Patented
- Blow Through Design
- PSC 3 Speed Motor
- Maximum Width of 23.5"
- Compact 20.8" depth with doors removed
- Integrated Horizontal Drain pans
- Single Color
- Fused 24V Power
- **5 year warranty**
- **10-year warranty registered**
- **Optional extended warranty available**
- **Warranty Mirrors Outdoor**



American Standard
Heating & Air Conditioning
6200 Troup Highway
Tyler, TX 75707

The manufacturer has a policy of continuous product and product data improvement and it reserves the right to change design and specification without notice.