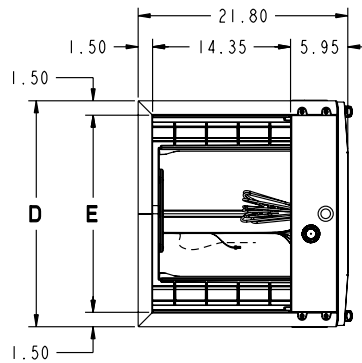


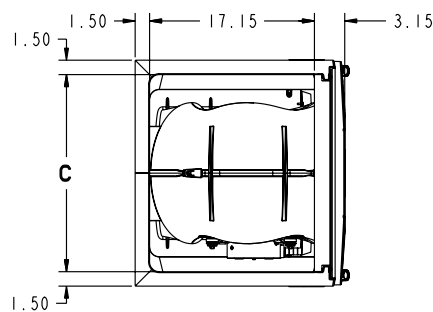
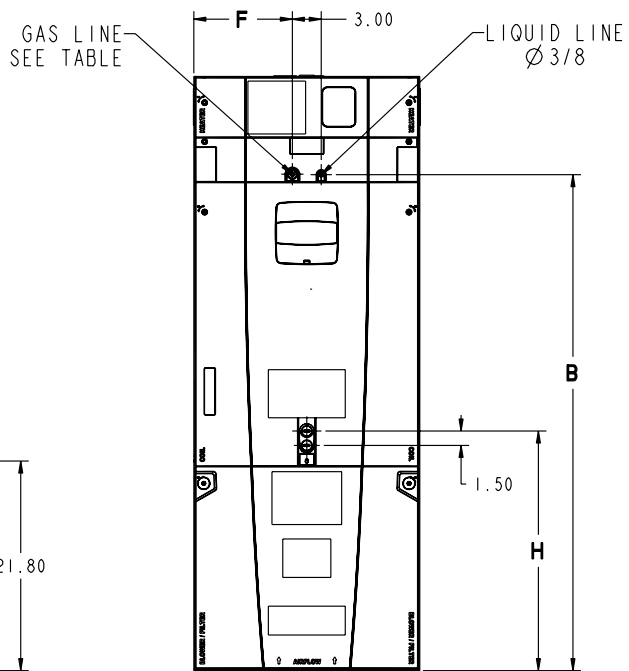
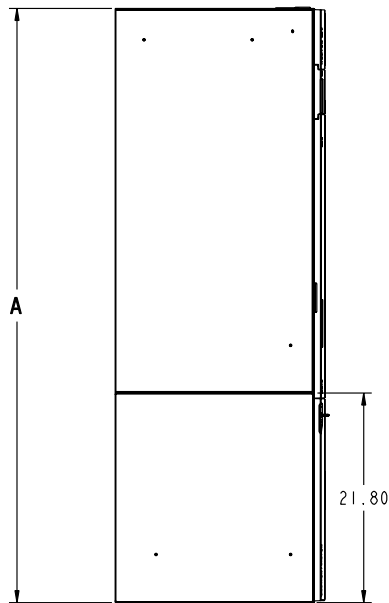
TAG: \_\_\_\_\_

# Specification

## 2-1/2 Ton Convertible Air Handler TAM4A0A30S21SC



MINIMUM UNIT CLEARANCE TABLE		
	TO COMBUSTIBLE MATERIAL (REQUIRED)	SERVICE CLEARANCE (RECOMMENDED)
SIDES	0"	2"
FRONT	0"	21"
BACK	0"	0"
INLET DUCT	0"	
OUTLET DUCT	0"	



MODEL NO.	A	B	C	D	E	F	H	Flow Control	R-410A Gas Line <b>BRAZE</b>	R-410A Liq. Line <b>BRAZE</b>
TAM4A0A30	49.9	39.6	14.5	17.5	14.5	7.3	26.7	EEV/24V	3/4	3/8

## PRODUCT SPECIFICATIONS

### PRODUCT SPECIFICATIONS

<b>MODEL</b>	<b>TAM4A0A30S21SC</b>
<b>RATED VOLTS/PH/Hz.</b>	208-230/1/60
<b>RATINGS</b> ①	See O.D. Specifications
<b>INDOOR COIL — Type</b>	
	Plate Fin
Rows — F.P.I.	3 - 14
Face Area (sq. ft.)	3.21
Tube Size (in.)	3/8
Refrigerant Control	EEV
Drain Conn. Size (in.) ②	3/4 NPT
<b>DUCT CONNECTIONS</b>	
	See Outline Drawing
<b>INDOOR FAN — Type</b>	
	Centrifugal
Diameter-Width (In.)	10 X 8
No. Used	1
Drive - No. Speeds	Direct - 3
CFM vs. in. w.g.	See Fan Performance Table
No. Motors — H.P.	1 - 1/3
Motor Speed R.P.M.	1025
Volts/Ph/Hz	208-230/1/60
F.L. Amps - L.R. Amps	1.7 - 3.5
<b>FILTER</b>	
Filter Furnished?	No
Type Recommended	Throwaway
No.-Size-Thickness	1 - 16 X 20 - 1 in.
<b>REFRIGERANT</b>	
	<b>R-410A</b>
Ref. Line Connections	Brazed
Coupling or Conn. Size — in. Gas	3/4
Coupling or Conn. Size — in. Liq.	3/8
<b>DIMENSIONS</b>	
	H x W x D
Crated (In.)	51 x 20 x 24-1/2
Uncrated	49-15/16 x 17-1/2 x 21-13/16
<b>WEIGHT</b>	
Shipping (Lbs.)/Net (Lbs.)	127/117

① These Air Handlers are A.H.R.I. certified with various Split System Air Conditioners and Heat Pumps (AHRI STANDARD 210/240). Refer to the Split System Outdoor Unit Product Data Guides for performance data.

② 3/4" Male Plastic Pipe (Ref.: ASTM 1785-76)



TAM4A0A30S21SC MINIMUM HEATER AIRFLOW CFM		
Heater	Minimum Air Speed Tap	
	With Heat Pump	Without Heat Pump
BAYEAAAC05BK1AA BAYEAAAC05LG1AA	Tap 1	Tap 1
BAYEAAAC08BK1AA BAYEAAAC08LG1AA	Tap 2	Tap 1
BAYEAAAC10BK1AA BAYEAAAC10LG1AA	Tap 2	Tap 1
BAYEAAAC10LG3AA	Tap 1	Tap 1
BAYEABC15BK1AA	Tap 3	Tap 2
BAYEABC15LG3AA	Tap 3 ①	Tap 1 ①
BAYEABC20BK1AA	-	-

SEE AIR HANDLER NAMEPLATE OR PRODUCT DATA FOR EXCEPTIONS

① Heater not qualified for 240V in downflow installations.

**Note:** Heating and cooling speeds are the same, factory set at Speed Tap #2.

AIRFLOW PERFORMANCE						
TAM4A0A30S21SC						
EXTERNAL STATIC (in w.g)	AIRFLOW (CFM)					
	Speed Taps - 230 VOLTS			Speed Taps - 208 VOLTS		
	3	2 †	1	3	2 †	1
0	1202	1013	944	1145	867	798
0.1	1156	985	922	1102	847	779
0.2	1102	947	892	1059	838	774
0.3	1049	909	859	1006	795	733
0.4	1000	867	822	958	774	714
0.5	943	823	783	900	726	672
0.6	883	767	738	843	681	621
0.7	822	709	658	778	601	542
0.8	749	583	542	697	492	441
0.9	684	440	N/A	628	N/A	N/A
1.0	613	N/A	N/A	549	N/A	N/A

NOTES:  
1. Values are with wet coil and without filters.  
2. Contact your particular filter manufacturer for pressure drop data.  
3. Electric heater pressure drop is negligible and is included within the airflow data.  
4. † Factory Setting

WIRING DATA											
TAM4A0A30S21SC											
Heater Model No.	No. of Circuits	240 VOLT					208 VOLT				
		Capacity		Heater Amps per Circuit	Minimum Circuit Ampacity	Maximum Overload Protection	Capacity		Heater Amps per Circuit	Minimum Circuit Ampacity	Maximum Overload Protection
		kW	BTUH				kW	BTUH			
No Heater	-	-	-	1.7**	2	15	-	-	1.7**	2	15
BAYEAAC05++1	1	4.80	16400	20	27	30	3.60	12300	17.3	24	25
BAYEAAC08++1	1	7.68	26200	32	42	45	5.76	19700	27.7	37	40
BAYEAAC10++1	1	9.60	32800	40	52	60	7.20	24600	34.6	45	45
BAYEAAC10LG3	1-3PH	9.60	32800	23.1	31	35	7.20	24600	20.00	27	30
BAYEABC15LG3 ①	1-3PH	14.40	49200	34.6	45	45	10.80	36900	30.00	39	40
BAYEABC15++1	2										
circuit 1		9.60	32800	40	52	60	7.20	24600	34.6	45	45
circuit 2		4.80	16400	20	25	25	3.60	12300	17.3	22	25

Note: \*\* Motor Amps  
① Heater not qualified for 240V in downflow installations.

Notes:

1. See Product Data or Air Handler nameplate for approved combinations of Air Handlers and Heaters
2. Heater model numbers may have additional suffix digits.

# Mechanical Specifications

- Unique Cabinet Design
  - Double Wall Foamed and Formed Cabinet System
  - Water Proof Cabinet Design
  - $\geq$  R-4.2 Insulating Value (Avg Insulating Value R-8.2)
  - Composite Foamed Cabinet Doors
  - Sweat Eliminating Cabinet Design
  - Loose Fiber Eliminating Cabinet Design
  - Smooth Cleanable Cabinet Design
  - 2% or Less air leakage
  - Precision Durable Door Seals
  - Modular Cabinet Design
- Multi-Position UP/Down Flow Horizontal Left / Right
- Side Return Option
- Braze in Refrigerant Connection
- Primary/Secondary Condensate Connections
- Premarked Conduit Connection Locations
- Vortica® Blower with Integrated Slide Deck for Easy Removal
- Polarized Plug connections on Blower
- Aluminum Coil with Integrated Slide Deck for Easy Removal
- Polarized Plug connections on Coil EEV
- Slide in Electric Heaters
- Polarized Plug connections for Electric Heater
- Labeled Panels and connections
- 1-1/4" to 1" And 3/4" to 1/2" Conduit connection on Left, Right and Top
- Molded in 1" Standard Filter rail
- Electronic Expansion Valve (EEV) With Low Ambient and Low Superheat Protection
- Dual Refrigerant Compatible as Shipped
- Low Voltage Terminal Connection Point
- 8 Alert Codes
- Enhanced Coil Fin Patented
- Blow Through Design
- PSC 3 Speed Motor
- Maximum Width of 23.5"
- Compact 20.8" depth with doors removed
- Integrated Horizontal Drain pans
- Single Color
- Fused 24V Power
- **5 year warranty**
- **10-year warranty registered**
- **Optional extended warranty available**
- **Warranty Mirrors Outdoor**



**American Standard**  
**Heating & Air Conditioning**  
6200 Troup Highway  
Tyler, TX 75707

The manufacturer has a policy of continuous product and product data improvement and it reserves the right to change design and specification without notice.