

ACONT802AS32DA TOUCH SCREEN AND ACONT803AS32DA TOUCH SCREEN WITH DEHUMIDIFICATION

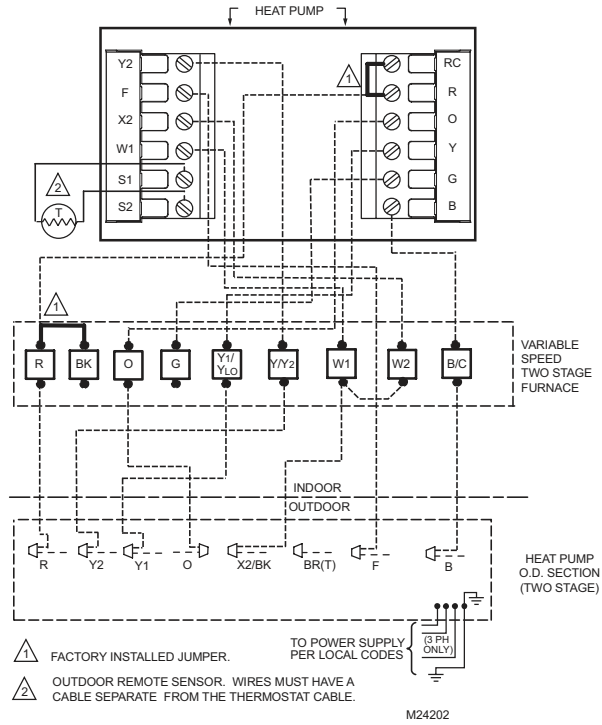


Fig. 14. Typical hookup of multistage heat pump with two-stage variable speed gas furnace (3H/2C heat pump).