

American Standard[®]
HEATING & AIR CONDITIONING

Quick Reference Guide April 2011



Reliable
Comfortable
Cleaner Air
High Efficiency
Long Lasting

IF YOU'D LIKE A PRODUCT NAMING SYSTEM THAT'S CLEAR, CONCISE AND EFFECTIVE,

IT'S TIME.



Based on feedback from dealers and distributors across the country, American Standard Heating & Air Conditioning will soon be updating their naming structure to remove SEER and AFUE designations from product names. In doing so, and by introducing in its place a consumer-friendly tiered naming system, you will be able to sell on the true benefits of the product, while giving customers clear differentiation between good, better and best. This also provides new opportunities to upsell by grouping components together as complete packages.

The naming update is a rolling change that began with the launch of the new americanstandardair.com in Q4 2010. Updates to literature, badging and other materials will occur over the next several months.

PRODUCT NAME	FORMERLY KNOWN AS
GAS/ELECTRIC	
Platinum ZM Gas/Electric System	Triumph® 4YCZ6 Gas/Electric System
Gold XM Gas/Electric System	Triumph® 4YCY4 Gas/Electric System
Silver SI+ Gas/Electric System	Triumph® 4YCX3 Gas/Electric System
Silver SI Gas/Electric System	American Standard 4YCC3 Gas/Electric System
ALL ELECTRIC	
Platinum ZM Heat Pump System	Heritage® 4WCZ6 Heat Pump System
Gold XM Heat Pump System	Heritage® 4WCY4 Heat Pump System
Gold SI Heat Pump System	Heritage® 4WCX3 Heat Pump System
Silver SI+ Heat Pump System	American Standard 4WCC3 Heat Pump System
Silver SI Heat Pump System	American Standard WCH/ WCK Heat Pump System
A/C ONLY	
Platinum ZM Air Conditioner	Allegiance® 4TCY4 All-In-One Air Conditioner
Gold XM Air Conditioner	Allegiance® 4TCX3 All-In-One Air Conditioner System
Silver SI+ Air Conditioner	American Standard 4TCC3 All-In-One Air Conditioner System
Silver SI Air Conditioner	American Standard TCK All-In-One Air Conditioner System
HYBRID	
Platinum ZM Hybrid Comfort System	Heritage Hybrid™ Comfort System 4DCZ6
Gold XM Hybrid Comfort System	Heritage Hybrid™ Comfort System 4DCY4
THERMOSTATS	
Gold ZM Thermostat	900 Family 7-day Digital Programmable Comfort Control
Gold XM Thermostat	800 Family 7-day Digital Programmable Comfort Control
Silver XI Thermostat	600 Family 5/2 Digital Programmable Comfort Control
Silver SI+ Thermostat	400 Family Digital Non-Programmable Comfort Control
Silver SI Thermostat	200 Family Digital Non-Programmable Comfort Control

SERIES

American Standard Platinum Series™ The greatest number of features and the best possible performance.

American Standard Gold Series™ The best blend of performance, features and value.

American Standard Silver Series™ The most cost-effective way to enjoy comfort and reliability.

EFFICIENCY COMFORT

Z = Highest efficiency	V = Variable-speed motor
X = Mid-range efficiency	M = Two-stage or multi-stage motor
S = Standard efficiency	I = Single-stage motor

	PRODUCT NAME	FORMERLY KNOWN AS
AIR CONDITIONERS	Platinum ZM Air Conditioner	Allegiance® 20 Air Conditioner
	Platinum XM Air Conditioner	Allegiance® 16 Air Conditioner
	Gold XI Air Conditioner	Allegiance® 15 Air Conditioner
	Gold SI Air Conditioner	Allegiance® 13 Air Conditioner
	Silver XI Air Conditioner	American Standard 14 Air Conditioner
HEAT PUMPS	Silver SI Air Conditioner	American Standard 13 Air Conditioner
	Silver SI Air Conditioner	N/A
	Platinum ZM Heat Pump	Heritage® 20 Heat Pump
	Platinum XM Heat Pump	Heritage® 16 Heat Pump
	Gold XI Heat Pump	Heritage® 15 Heat Pump
FURNACES	Gold SI Heat Pump	Heritage® 13 Heat Pump
	Silver XI Heat Pump	American Standard 14 Heat Pump
	Silver SI Heat Pump	American Standard 13 Heat Pump
	Platinum ZV Furnace	Freedom® 95 Comfort-R™ Variable Speed, Modulating Communicating Furnace
	Gold ZM Furnace	Freedom® 95 Comfort-R™ Variable Speed Furnace
AIR HANDLERS	Silver ZI Furnace	Freedom® 95 Single-Stage Furnace
	Gold XM Furnace	Freedom® 90 Two-Stage Furnace
	Gold SI Furnace	Freedom® 90 High Efficiency Single-Stage Furnace
	Silver SI Furnace	American Standard 90 Furnace
	Platinum SV Furnace	Freedom® 80 Comfort-R™ Variable Speed Communicating Furnace
	Gold SV Furnace	Freedom® 80 Comfort-R™ Furnace
	Gold SM Furnace	Freedom® 80 Two-Stage Furnace
	Silver XI Furnace	Freedom® 80 High Efficiency Single-Stage Furnace
	Silver SI Furnace	Freedom® 80 Single-Stage Furnace
	Silver SI Furnace	American Standard 80 Furnace
AIR HANDLERS	Platinum XV Oil Furnace	Freedom® 80 Comfort-R™ Variable Speed Oil Furnace
	Silver SI Oil Furnace	Freedom® 80 Single-Stage Oil Furnace
	Platinum ZV Air Handler	4TEE Variable Speed Communicating Air Handler
	Platinum XV Air Handler	4TEE Variable Speed Air Handler
	Platinum SV Air Handler	4TFE Variable Speed Air Handler
AIR HANDLERS	Gold XI Air Handler	4TEH Air Handler
	Gold SI Air Handler	4TEC Air Handler
	Silver SI Air Handler	4TGB/ 4TFB Air Handler

American Standard®

HEATING & AIR CONDITIONING

American Standard Heating & Air Conditioning

6200 Troup Highway

Tyler, Texas 75707

<http://www.americanstandardair.com>

© 2011 American Standard Heating & Air Conditioning All rights reserved

Contents

Model Nomenclature	TOC-5
ForeFront™ Air Handler	
• Multi-position Chart.....	FAH-1
• Features and Benefits.....	FAH-2
• Series 8 Variable Speed Multi-Position, 2-5 Tons (AAM8)	FAH-3
• Series 7 Variable Speed Multi-Position, 2-5 Tons (AAM7)	FAH-3
• Series 4 Multi-Position, Single Phase, 1 ½-5 Tons (AAM4)	FAH-6
• Series 5 Multi-Position, Single Phase, 1 ½-5 Tons (GAM5).....	FAH-9
• Series 2 Split System, Single Phase, 1 ½-5 Tons (GAF2, GAT2)	FAH-12
• Heaters for Multi-Position.....	FAH-15
AccuLink™ Platinum ZV Control	
• AccuLink™ Thermostat - Platinum ZV.....	AL-1
• Conventional 24 Volt HVAC System Interface Relay Panel for AccuLink™ Platinum ZV Thermostat	AL-2
• AccuLink™ Thermostat Component Overview	AL-3
• AccuLink™ Zoning Assembly	AL-4
• AccuLink™ Zone Expander Panel.....	AL-4
• Wireless Zone Thermostat.....	AL-5
• Wireless Zone Sensor.....	AL-5
• AccuLink™ Zoning Component Overview	AL-6
• 24 Volt Modulating Dampers	AL-8
Connected Home Solutions	
• AccuLink™ Remote Thermostat.....	CHS-1
• Schlage LiNK™ Accessories	CHS-3
• Remote Sensors	CHS-4
Split System Cooling	
• Single Phase, 1½-5 Tons (4A7Z0, 4A7A6, 4A7A5).....	SC-1
• Single Phase, 1½-5 Tons (4A7A3, 4A7M3, 4A7B4, 4A7B3).....	SC-3
• Three Phase, 2½-6 Tons (4A7C3)	SC-5
• Three Phase, 6-20 Tons, R-410A (TTA).....	SC-7
• ReliaTel™ Controls, 6-20 Tons - Protection/Operation Timings and Features....	SC-11
Split System Heat Pumps	
• Single Phase, 1½-5 Tons (4A6Z0, 4A6H6, 4A6H5).....	SH-1
• Single Phase, 1½-5 Tons (4A6H3, 4A6B4, 4A6B3)	SH-3
• Three Phase, 2½-6 Tons (4A6C3)	SH-5
• Three Phase, 6-20 Tons, R-410A (TWA)	SH-7
• ReliaTel™ Controls, 6-20 Tons - Protection/Operation Timings and Features....	SH-10
Air Handlers/Heaters	
• Convertibility Chart	AH-1
• Air-Tite™ Features and Benefits.....	AH-2
• Variable Speed Convertible Communicating Air-Tite™ (4TEE3C01-10)	AH-3
• Variable Speed Convertible, 2½-5 Tons (4TEE3F)	AH-5
• Single Phase, 1½-5 Tons (4TEH, 4TEC)	AH-7
• Single Phase, 1½-4 Tons (4TGB)	AH-8
• Single Phase, 1½-3 Tons (4TFB, 4TFE)	AH-10
• Heaters for Split System and Convertible	AH-12
• Single Phase 5-10 Tons, Three Phase 5-20 Tons (TWE).....	AH-16
Coils	
• Split System Aluminum Cased Heat Pump and Cooling Coils (4TXC-CC, 4TXC-BC).....	COIL-1
• Split System Aluminum Uncased Heat Pump and Cooling Coils (4TXA-BC)	COIL-2
• Split System Cased Heat Pump and Cooling Coils (4CXC-CC, 4TXF)	COIL-3
• Split System Uncased Coil Enclosures.....	COIL-5

.....
This publication is for general reference information only and is not intended for systems equipment / combination selections.

Products listed in this book are not always carried in factory/distributor inventory, nor are all products available through all distribution channels. Consult your Distributor for availability and shipping information.

Since American Standard Heating & Air Conditioning has a policy of continuous product improvement, it reserves the right to change design and specification without notice.

.....

Contents

Furnaces

- Freedom 95, 90 and American Standard 90 Airflow Directions FUR-1
- Freedom 95 Modulating Communicating Variable Speed (AUHM, ADHM)..... FUR-2
- Freedom 95 Two Stage Variable Speed (AUH2, ADH2)..... FUR-2
- Freedom 95 Single Stage (AUH1, ADH1)..... FUR-3
- Freedom 90 Two Stage (AUX2, ADX2) FUR-4
- Freedom 90 Single Stage w/ High Efficiency Motor (AUX1-H, ADX1-H) FUR-5
- American Standard 90 Single Stage (AUC1, ADC1) FUR-6
- Freedom 95, 90 and American Standard 90 Features & Accessories FUR-7
- Special Use Furnace Accessories FUR-9
- Freedom 80 and American Standard 80 Airflow Directions FUR-10
- Freedom 80 Two Stage Variable Speed (24 Volt) (AUD2-ACV, ADD2-ACV) FUR-11
- Freedom 80 Two Stage Variable Speed (AUD-A-V-V, ADD-A-V-V) FUR-12
- Freedom 80 Two Stage (AUD2, ADD2)..... FUR-13
- Freedom 80 Single Stage w/ High Efficiency Motor (AUD1-H, ADD1-H)..... FUR-14
- Freedom 80 Single Stage (AUD1, ADD1)..... FUR-14
- American Standard 80 Single Stage (AUE1, ADE1)..... FUR-15
- Freedom 80 and American Standard 80 Features & Accessories FUR-16
- Special Use Furnace Accessories FUR-17
- Variable Speed High Efficiency Oil Furnaces (THV1, TLF1, TLR1, TDF1) FUR-18
- High Efficiency Oil Furnaces (THV1, TLF1, TLR1, TDF1) FUR-19

Indoor Air Quality

- AccuClean™ Whole Home Air Cleaner IAQ-1
- Perfect Fit™ Media Filters (TFM, TFP) IAQ-2
- Perfect Fit™ Filter Accessories..... IAQ-3
- Humidifiers Fan Powered and Bypass IAQ-6
- Energy Recovery Ventilator (ERV) IAQ-9

Comfort Controls/Zone Sensors

- Programmable 7 Day Communicating CCZS-1
- Telephone Access Module (TAM) CCZS-1
- Programmable 7 Day CCZS-2
- Programmable 5/2 Day CCZS-3
- Non-Programmable..... CCZS-4
- Remote Sensors CCZS-5
- Indoor Fan Delay Relay Kit CCZS-6
- Outdoor Thermostat Kit..... CCZS-6
- Non-Programmable for ReliaTel™ Units CCZS-7
- Programmable for ReliaTel™ Units CCZS-7
- Zone Sensor Unit Installation..... CCZS-9
- Micro Control Zone Sensors CCZS-10
- Electronic Programmable Zone Sensors for ReliaTel™ Units..... CCZS-11
- Integrated Comfort™ Systems Sensors for ReliaTel™ Units..... CCZS-11

Packaged Cooling

- Convertible, 1½-5 Tons (4TCY4, 4TCX3, 4TCC3) PC-1
- Convertible, 1½-5 Tons Features & Accessories PC-2
- Convertible, 1½-5 Tons Heaters..... PC-4
- Convertible, 3-10 Tons Features PC-5
- Convertible, 3-5 Tons, R-410A (THC-E, TSC-E) PC-6
- Convertible, 6-10 Tons, R-410A (THC, TSC) PC-7
- Convertible, 3-10 Tons Model Digit Numbers..... PC-8
- Convertible, 3-10 Tons, R-410A Electric Heaters..... PC-9
- Convertible, 6-10 Tons, R-410A Electric Heaters..... PC-10
- Convertible, 3-10 Tons Accessories..... PC-12
- Convertible, 3-10 Tons Zone Sensors/Thermostats..... PC-14

Contents

Packaged Cooling (continued)

- ReliaTel™ Controls
(Packaged Unit Protection/Operation Timings & Features).....PC-15
- ReliaTel™ Controls
(Operation with an Electromechanical Thermostat).....PC-16
- Packaged Cooling with ReliaTel™ Controls, 12½-25 Tons, R-410A
(TCD-E/TCH-E).....PC-17
- Packaged Cooling with ReliaTel™ Controls, 12½-25 Tons FIOPSPC-18
- Packaged Cooling with ReliaTel™ Controls, 12½-25 Tons
Zone Sensors/ThermostatsPC-19
- Packaged Cooling with ReliaTel™ Controls, 12½-25 Tons Accessories.....PC-20
- Packaged Cooling with ReliaTel™ Controls, 12½-25 Tons Heaters.....PC-22

Packaged Heat Pump

- Convertible, 2-5 Tons (4WCZ6, 4WCY4)PH-1
- Convertible Dual Fuel, 2-5 Tons (4DCZ6, 4DCY4)PH-1
- Convertible, 2-5 Tons Features & AccessoriesPH-2
- Convertible, 1½-5 Tons (4WCX3, 4WCC3).....PH-4
- Convertible, 1½-5 Tons Features & AccessoriesPH-5
- Convertible, 1½-5 Tons Heaters.....PH-7
- Over/Under 2-5 Tons (4WHC3).....PH-8
- Convertible, 3-10 Tons FeaturesPH-9
- Convertible, 3-10 Tons (WSC).....PH-10
- Convertible, 3-10 Tons Model Digit Numbers.....PH-11
- Convertible, 3-5 Tons, Electric Heaters.....PH-12
- Convertible, 6-10 Tons Electric Heaters & Zone SensorsPH-13
- Convertible, 3-10 Tons Accessories.....PH-14
- Packaged Heat Pump with ReliaTel™ Controls, 12½-20 Tons (WCD/WCH).....PH-16
- Packaged Heat Pump with ReliaTel™ Controls, 12½-20 Tons
FIOPS & Zone SensorsPH-17
- Packaged Heat Pump with ReliaTel™ Controls, 12½-20 Tons AccessoriesPH-18
- Packaged Heat Pump with ReliaTel™ Controls, 12½-20 Tons Heaters.....PH-19

Packaged Gas/Electric

- Convertible, 2-5 Tons (4YCZ6, 4YCY4)PG-1
- Convertible, 2-5 Tons Features & AccessoriesPG-2
- Convertible, 1½-5 Tons (4YCX3).....PG-4
- Convertible, 1½-5 Tons (4YCC3)PG-5
- Convertible, 1½-5 Tons Features & AccessoriesPG-6
- Convertible, 3-10 Tons FeaturesPG-8
- Convertible, 3-5 Tons, 15 SEER, R-410A (YHC-E).....PG-9
- Convertible, 3-5 Tons, 13 SEER, R-410A (YSC-E).....PG-10
- Convertible, 6-10 Tons, High Efficiency, R-410A (YHC-E)PG-11
- Convertible, 6-10 Tons, R-410A (YSC-E).....PG-12
- Convertible, 3-10 Tons Model Digit Numbers.....PG-13
- Convertible, 3-10 Tons Accessories.....PG-14
- Convertible, 3-10 Tons Zone Sensors/Thermostats.....PG-16
- Packaged Gas/Electric with ReliaTel™ Controls 12½-25 Tons,
R-410A (YCD-E/YCH-E).....PG-17
- Packaged Gas/Electric with ReliaTel™ Controls 12½-25 Tons FIOPSPG-19
- Packaged Gas/Electric with ReliaTel™ Controls 12½-25 Tons Accessories.....PG-20
- Packaged Gas/Electric with ReliaTel™ Controls 12½-25 Tons
Zone Sensors/ThermostatsPG-22

Factory Installed Options

- Commercial Packaged Units 12½-25 Tons FIOPS-1
- Factory Installed Options Accessories..... FIOPS-2

Contents

Unit Heaters

- Indoor Gas Heating Products.....UH-1

Extended Warranties

- Why Should an Equipment Owner Buy an Optional Extended Warranty?..... WA-1
- Why Should a Dealer Sell Optional Extended Warranties? WA-2
- Optional Extended Warranty Benefits WA-3

Accessories/Information

- Roof Curbs (BAYCURB050A, BAYCURB051A) AC/IN-1
- 3-25 Ton Packaged Units Roof Curb Compatibility Information AC/IN-2
- Thermal Expansion Valves..... AC/IN-3
- Equipment Date Identification AC/IN-5
- Refrigerant Line Sets AC/IN-6
- Refrigerant Line Sets Companion Table AC/IN-7
- Refrigerant HFC 410A (R-410A)..... AC/IN-8
- Refrigerant Piping Systems Information for Allegiance/Heritage 16 & 20
Split Systems AC/IN-9
- 6-20 Tons Split System AC/IN-10
- Branch Circuit Wire Sizing Table/Heater De-Rating Chart AC/IN-12
- Basic Air Conditioning Formulas..... AC/IN-13
- Low Ambient Accessories, Cooling & Heating Models AC/IN-14
- Wind Shields..... AC/IN-15

Model Nomenclature

Outdoor Units

1 2 3 4 5 6 7 8 9 10 11 12 13 14 15
4 A 7 Z 0 0 3 6 A 1 0 0 0 A A

Refrigerant Type ————
4 = R-410A

American Standard ————

Product Type ————
6 = Split Heat Pump
7 = Split Cooling

Product Family ————
Z = Leadership - Two Stage
A = Allegiance
H = Heritage
M or B = Basic
C = Light Commercial

Family SEER ————
0 = 20
1 = 11 5 = 15
2 = 12 6 = 16
3 = 13 8 = 18
4 = 14 9 = 19

Split System Connections 1-6 Tons ————
0 = Brazed

Nominal Capacity in 1000's (BTUH) ————

Major Design Change ————

Power Supply ————
1 = 200-230/1/60 or 208-230/1/60
3 = 200-230/3/60
4 = 460/3/60

Secondary Function ————

Minor Design Change ————

Service Digit - Not Orderable ————

Commercial Condensing Units Cooling and Heat Pump

1 2 3 4 5 6 7 8 9 10 11 12
T T A 0 9 0 D 3 H R B 0

Product Type ————
TTA = Split Cooling TWA = Split Heat Pump

Nominal Gross Cooling Capacity (MBh) ————

Cooling	Heat Pump
090 = 7 1/2 Tons	090 = 7 1/2 Tons
120 = 10 Tons	120 = 10 Tons
150 = 12 1/2 Tons	180 = 15 Tons
180 = 15 Tons	240 = 20 Tons
240 = 20 Tons	

Compressor ————
D = Single Compressor (R-410A)
E = Dual Compressors (R-410A)
F = Dual Manifolder Compressors (R-410A)

Electrical Characteristics ————
3 = 208 - 230/3/60 4 = 460/3/60 W=575/3/60

Factory-Installed Options ————
0 = No Hail Guard
H = Hail Guard

Factory-Installed Options ————
0 = Packed Stock, No Options
S = Epoxy Coil
R = ReliaTel™
T = ReliaTel™ with Epoxy Coil

Minor Design Change ————

Service Digit - Not Orderable ————

Accessories

1 2 3 4 5 6 7 8 9 10 11
A Y E C O N 0 0 1 A A

Denotes: Accessories ————

Accessories Type (Example: BAYCURB, AY, ASY) ————

ASCT = Anti-Cycle Timer	LOAM = Low Ambient Controls
BARM = Barometric Relief	LPKT = L.P. Kit
BASE = Subbase	LSDR = Low Static Drive
BRZQ = Coupling Kit Adaptors	NXKT = NOx Rod Accessory Kit
CCHT = Crankcase Heater	PANL = Panel
CLE = Coil Enclosures	PLNM = Plenum
CURB = Roof Curb	PLUS = Add-on Heat Pump
DMPR = Damper	REFLN = Refrigerant Lines
DNFLW = Downflow Conversion Kit	RLAY = Relay
ECON = Economizer	SENS = Sensor
ENTH = Enthalpy Control	SPEK = Single Power Entry Kit
FLTR = Filter	STAT = Thermostat
GARD = Coil Guard	TBKT = Thru Base Utility Kit
GRLE = Return Air Grill	TEST = Test Accessory
HALT = High Altitude Kit	TFMR = Transformer
HGBP = Hot Gas Bypass Control	TWIN = Twinning Kits
HSMT = High Static Motor	TXVA = Cooling —
HTRA = Electric Heater	Bleed/Non Bleed Kits
(Digit 7 Is Used To Differentiate The Products Accessory Is Used With)	TXVH = Heat Pump
ISLT = Isolator	Non Bleed Kits
KSKT = Start Accessory Kit	UTIL = Curb Ext. Kit
LEG = Snow Legs	VENT = Termination Kit
LIFT = Lifting Lug Kit	WAR = Warranty
	WATR = Hydronic Heat Coils
	WRKT = Wire Kit
	2STG = 2 Stage Gas

Major Design Change ————
Numbers Are Sequentially Assigned Except For Electric Heaters.
On Electric Heaters Digit 8 Is Used To Identify Voltage And Digit 9 And 10 Are Used To Identify Capacity In KW's.

Minor Design Change ————
Accessory To Unit Match-up (When Required)

Service Digit - Not Orderable ————

Air Handler

1 2 3 4 5 6 7 8 9 10 11 12 13 14 15
G A M 2 A 0 A 3 6 S 3 1 S A A

Brand ————
A = American Standard
G = Good (American Standard Branded)

Product Type ————
A = Air Handler

Convertability ————
M = Multi-poise 4-way
F = Upflow Front Return, 3-way
T = 3-way

Product Tier ————
2 = Good, Entry Level Feature Set
4 = Better, Retail Replacement Mid Effy.
5 = Better, Entry Level High Effy., Multi-Speed
7 = Best, Retail Replacement High Effy., Variable-Speed
8 = Best, Retail Ultimate High Effy., Variable-Speed

Major Design Change ————

No Descriptor ————
0 = Air Handler / Coil

Size (Footprint) ————
A = 17.5 x 21.5
B = 21.0 x 21.5
C = 23.5 x 21.5

Cooling Size: Air Handler or Coil ————
0-9 = AH Coil - 1000 BTU's (18, 24, 30, 36, 42, 48, 60)

Airflow Type & Capability ————
S = Low Effy PSC, 1-5 - nom. Tonnage (cfm/ton)
M = Mid Effy Multi-Speed, 1-5 - nom. Tonnage (cfm/ton)
H = High Effy Multi-Speed, 1-5 - nom. Tonnage (cfm/ton)
V = High Effy Variable, 1-5 - nom. Tonnage (cfm/ton)

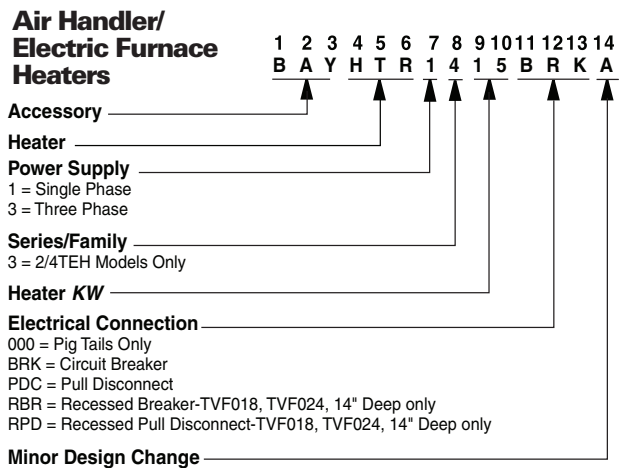
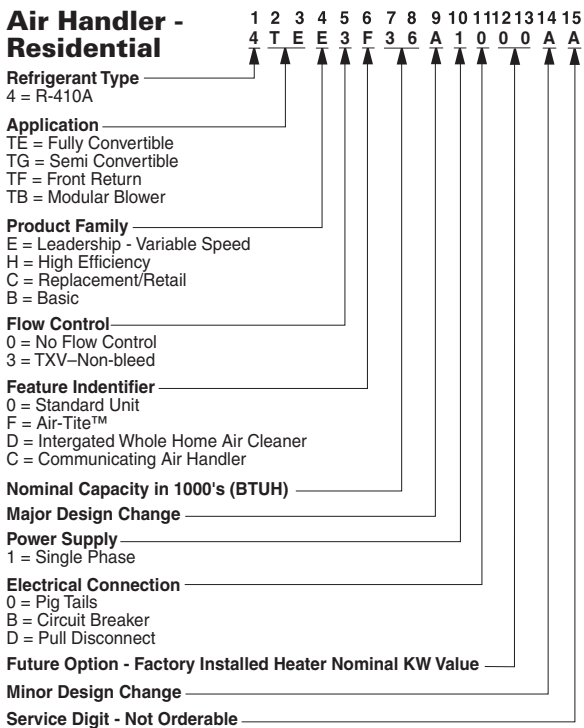
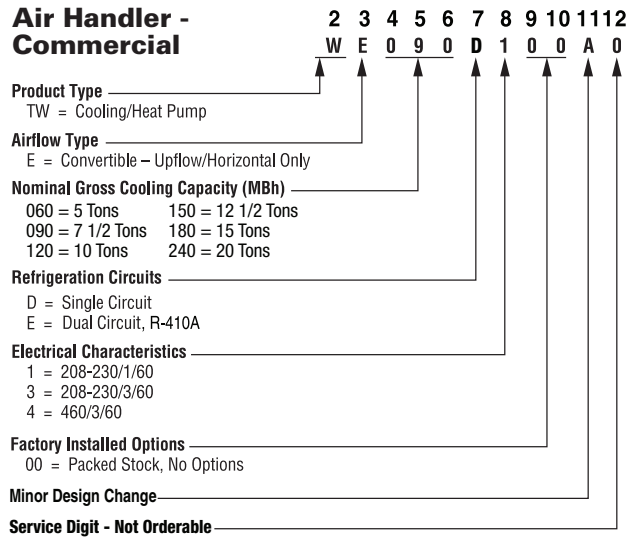
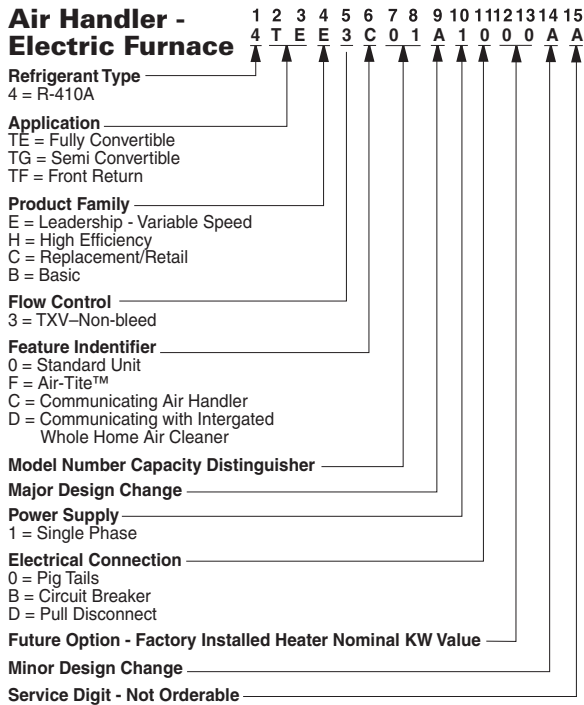
Power Supply ————
1 = 208-230/1/60

System Control Type ————
S = Standard - 24 VAC
C = CLII 13.8 VDC

Minor Design Change ————

Unit Parts Identifier ————

Model Nomenclature



NOTE: There will be a phase-in of new model numbers for new air handlers over next 2 years.

Model Nomenclature

Gas Furnaces

1 2 3 4 5 6 7 8 9 10 11 12 13 14 15
A U D 1 B 0 8 0 A 9 H 3 1 A A

Furnace Configuration
AU = Upflow/Horizontal
AD = Downflow/Horizontal

Type
E = 80% Induced Draft Standard
D = 80% Induced Draft Premium
C = 90% Condensing Standard
X = 90% Condensing Premium
H = 95% Condensing Premium

Number of Heating Stages
1 = Single Stage
2 = Two Stage
3 = Three Stage
M = Modulating

Cabinet Width
A = 14.5" Cabinet Width
B = 17.5" Cabinet Width
C = 21.0" Cabinet Width
D = 24.5" Cabinet Width

Heating Input in 1000's (BTUH)
080 = 80,000 BTUH

Major Design Change

Voltage

9 = 115 Volts / 60 Hertz / Natural Gas
A = 115 Volts / 50 Hertz / Natural Gas
C = 115 Volts / Natural Gas with Communicating System Control
F = 115 Volts / Natural Gas with Integrated Electronic Filter
D = 115 Volts / Natural Gas with Communicating System Control and Integrated Electronic Filter

Air Capacity for Cooling

Standard PSC	Variable Speed	High Efficiency
24 = 2 Tons	V3 = 3 Tons	H3 = 3 Tons
36 = 3 Tons	V4 = 4 Tons	H4 = 4 Tons
42 = 3.5 Tons	V5 = 5 Tons	H5 = 5 Tons
45 = 4 Tons		
48 = 4 Tons		
54 = 5 Tons		
60 = 5 Tons		
72 = 6 Tons		

Draft Inducer Speeds

1 = Single Speed
2 = Two Speed
V = Variable Speed

Minor Design Change

Service Digit - Not Orderable

Gas Furnaces

1 2 3 4 5 6 7 8 9 10 11 12
A U Y 0 8 0 R 9 V 3 V 0

Furnace Configuration

AU = Upflow/Horizontal
AD = Downflow/Horizontal

Type

C = Condensing
D = Induced Draft
X = Direct Vent Condensing

Heating Input in 1000's (BTUH)

080 = 80,000 BTUH

Major Design Change

C = Single Stage R = Two Stage
All other = Standard System

Power Supply and Fuel

115 Volt Natural Gas

Airflow Capacity for Cooling

Example: 36 = 3 Tons
400 CFM/Ton
400 x 3 Tons = 1200 CFM
V3 = 1 1/2 - 3 Tons, Variable Speed Motor (ICM)
V4 = 2 - 4 Tons, Variable Speed Motor (ICM)
V5 = 3 - 5 Tons, Variable Speed Motor (ICM)

Minor Design Change

V = Variable Speed Inducer

Service Digit - Not Orderable

Model Nomenclature

Oil Furnaces

1 2 3 4 5 6 7 8 9 10 11 12 13 14 15
T H V 1 M 0 8 7 A 9 3 6 S A A

Furnace Configuration

HV = High Boy Vertical Flue
LF = Low Boy Front Flue (vertical)
LR = Low Boy Rear Flue
DF = Downflow/Horizontal Front Flue

Heating Stages

Cabinet Width
M = 22 1/4"

Heating Output in 1000's (BTUH)
087 = 87,000 BTUH

Major Design Change

Power Supply
1 = 115 v/1 ph/60hz

Nominal Capacity

Standard Variable Speed
36 = 3 Tons V3 = 3 Tons
48 = 4 Tons V4 = 4 Tons

Efficiency

S = 80% + AFUE

Minor Design Change

Service Digit - Not Roderable

Heat Pump/ Cooling Coils

1 2 3 4 5 6 7 8 9 10 11 12 13 14 15
4 T X C B 0 3 6 A C 3 H C A A

Refrigerant Type

4 = R-410A

Series

T = Premium (Heat Pump or Convertible Coil)
C = Standard (Cooling Only)

Coil Design

X = Direct Expansion Evaporator Coil

Coil Feature

C = Cased A Coil
A = Uncased A Coil
F = Cased Horizontal Flat Coil

Coil Width (Cased/Uncased)

A = 14.5" / 13.3"
B = 17.5" / 16.3"
C = 21.0" / 19.8"
D = 24.5" / 23.3"
H = 10.5"

Refrigerant Line Coupling

0 = Brazed

Nominal Capacity in 1000's (BTUH)

Major Design Change

Efficiency

C = Standard
S = Hi Efficiency (derived from 10 SEER products)

Refrigerant Control

3 = TXV - Non-Bleed

Coil Circuitry

H = Heat Pump
C = Cooling

Airflow Configuration

A = Upflow Only
U = Upflow / Downflow
H = Horizontal Only
C = Convertible - Upflow, Downflow, Left or Right Airflow

Minor Design Change

Service Digit - Not Orderable

Model Nomenclature

Heat Pump/ Cooling Coils

1 2 3 4 5 6 7 8 9 10 11 12 13 14 15
4 T X C B 0 0 1 C C 3 H C A A

- Refrigerant Type
4 = R-410A
- Series
T = Premium (Heat Pump or Convertible Coil)
- Coil Design
X = Direct Expansion Evaporator Coil
- Coil Feature
C = Cased A Coil
A = Uncased A Coil
F = Cased Horizontal Flat Coil
- Coil Width (Cased/Uncased)
A = 14.5" / 13.3"
B = 17.5" / 16.3"
C = 21.0" / 19.8"
D = 24.5" / 23.3"
H = 10.5"
- Refrigerant Line Coupling
0 = Brazed
- Model Number Distinguisher
- Major Design Change
- Efficiency
C = Standard
S = Hi Efficiency (derived from 10 SEER products)
- Refrigerant Control
3 = TXV - Non-Bleed
- Coil Circuitry
H = Heat Pump
- Airflow Configuration
A = Upflow Only
U = Upflow / Downflow
H = Horizontal Only
C = Convertible - Upflow, Downflow, Left or Right Airflow
- Minor Design Change
- Service Digit - Not Orderable

TXV Kits

1 2 3 4 5 6 7 8 9 10 11 12 13 14 15
2 A Y T X V H 3 A 2 5 3 1 A A

- Refrigerant
4 = R-410A
- Accessory
- Accessory Type
TXV Kit
- Compatibility
Cooling & Heat Pump Compatible
- Flow Control
3 = TXV - Non Bleed
- Major Design Change
B = Internally Mounted (Mechanical Fittings)
C = Internally Mounted (Mechanical Fittings)
D = Internally Mounted (Mechanical Fittings)
- Minimum Nominal Capacity in 000's BTU's
- Maximum Nominal Capacity in 000's BTU's
- Minor Design Change
- Service Digit - Not Orderable

American Standard AccuClean™ Whole Home Air Cleaner

1 2 3 4 5 6 7 8 9 10 11 12 13 14 15
A F D 1 4 5 A L F R 0 0 0 A A

- Brand
- Filtration
- ifD
- Size
Furnace Upflow Furnace Downflow Air Handler
145 = 14.5" 14D = 14.5" 215 = 21.5"
175 = 17.5" 17D = 17.5" 235 = 23.5"
210 = 21.0" 21D = 21.0" 260 = 26.0"
245 = 24.5" 24D = 24.5"
- Major Design Series
- Power Supply
L = Low Voltage
- Application
AH000 = Air Handler
FR000 = Furnace
- Minor Design
- Service Sequence Not Orderable

Perfect Fit™ Air Cleaner

1 2 3 4 5 6 7 8 9 10 11 12
T F M 175 A 0 FR 1 1

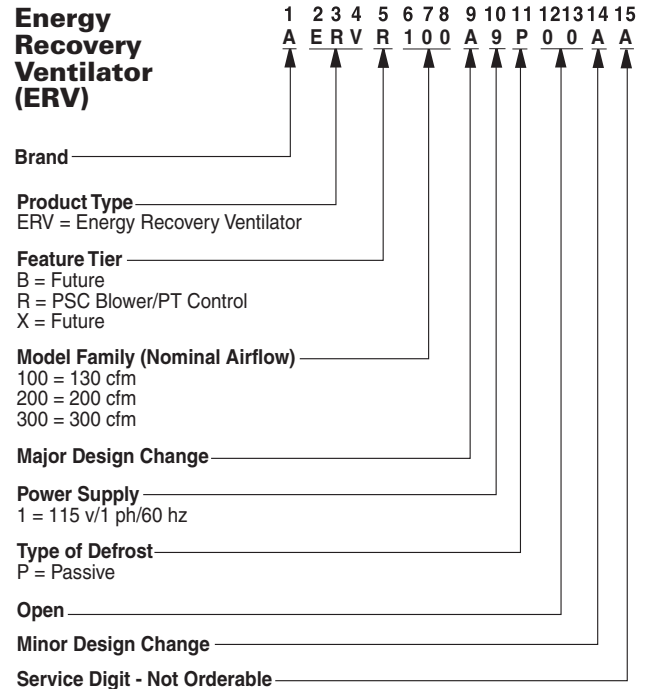
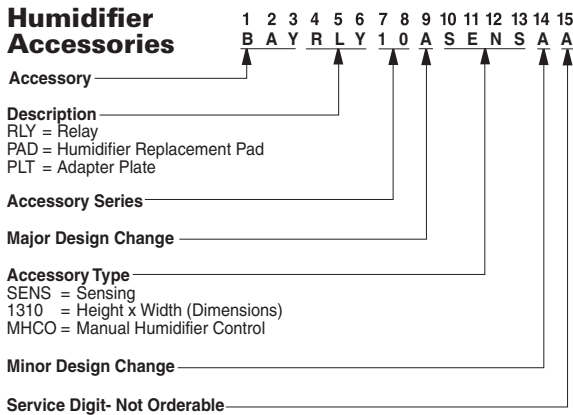
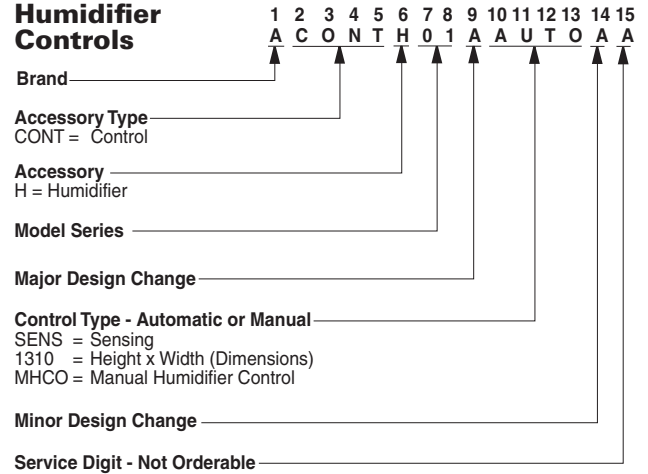
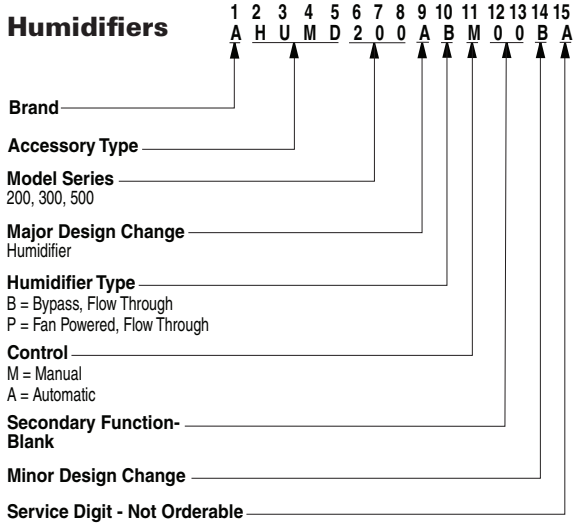
- Filter
- Filter Type
M = Media, 5 Inch P = Pleated, 1 Inch
- Product Dimension
145 = 14.5 Inch Furnace Width 215 = 21.5 Inch Air Handler Width
175 = 17.5 Inch Furnace Width 235 = 23.5 Inch Air Handler Width
210 = 21.0 Inch Furnace Width 260 = 26.0 Inch Air Handler Width
245 = 24.5 Inch Furnace Width
- Product Development Sequence
A = 5" Cartridge Media (Rigid)
B = 5" Expandable Media
- Voltage
1 = 240V 9 = 140V
- Product Description
AH = Air Handler
FR = Furnace
- Minor Design Change
- Service Digit - Not Orderable

Perfect Fit™ Filter Accessories

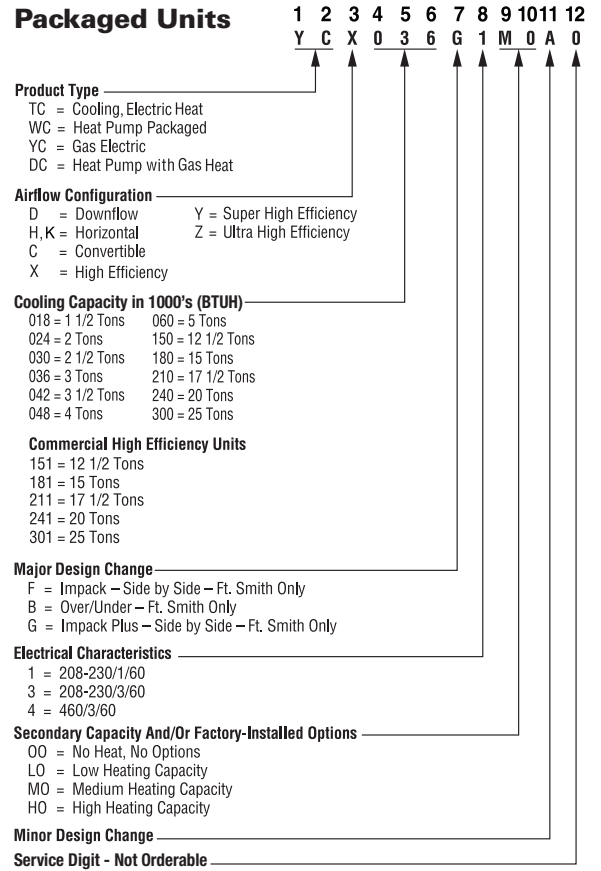
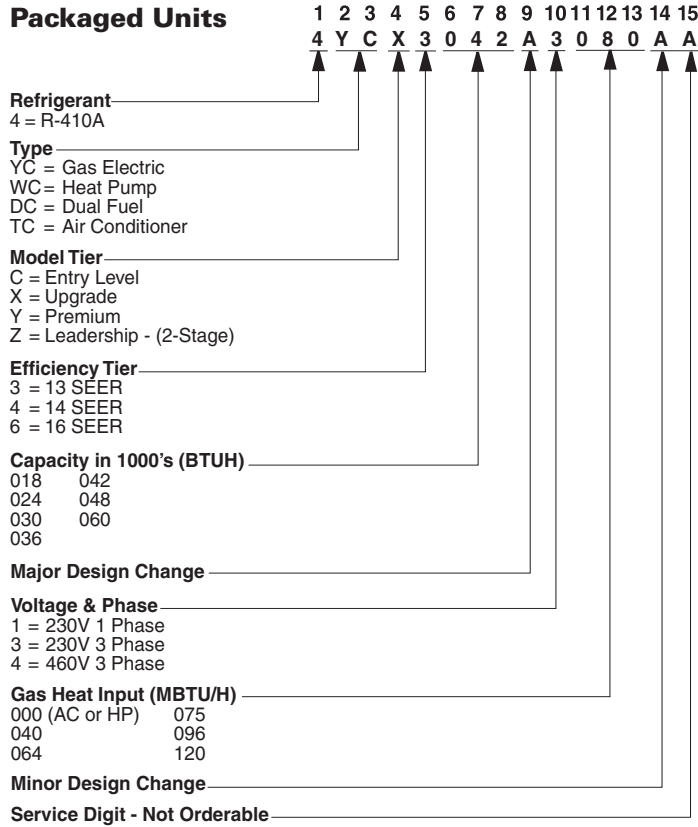
1 23 45 67 89 10 11 12
B AY FT FR 17 M 2 A

- Business Unit
- Accessory
- Filter
- Product Type
AH = Air Handler
FR = Furnace
- Size
14 Inch 21 Inch 24 Inch EX = Expandable
17 Inch 23 Inch 26 Inch
- Type
M = Media, 5 Inch T = Throwaway, Fiberglass, 1 Inch
P = Pleated, 1 Inch W = Permanent-Washable, 1 Inch
- Quantity
2 = 2 4 = 4 D = Dozen
- Minor Design Change

Model Nomenclature



Model Nomenclature



Model Nomenclature

Packaged Units

T S C 0 3 6 A 3 R B A A A C 0 0 0 A 1 0 0 0 0 A 1
1 2 3 4 5 6 7 8 9 10 11 12 13 14 15 16 17 18 19 20 21 22 23 24 25

Digit 1 – Unit Type

T = DX Cooling
Y = DX Cooling, Gas Heat
W = Package Heat Pump

Digit 2 – Efficiency

S = Standard Efficiency
H = High Efficiency

Digit 3 – Airflow

C = Convertible

Digit 4,5,6 – Nominal Gross Cooling Capacity (MBh)

036 = 3 Tons
048 = 4 Tons
060 = 5 Tons
072 = 6 Ton
090 = 7½ Ton, Single Compressor
092 = 7½ Ton, Dual Compressor
102 = 8½ Ton
120 = 10 Ton

Digit 7 – Major Design Sequence

E = R-410A Refrigerant

Digit 8 – Voltage Selection

1 = 208/230/60/1
3 = 208-230/60/3
4 = 460/60/3
W = 575/60/3

Digit 9 – Unit Controls

E = Electromechanical
R = ReliaTel™ Microprocessor

Digit 10 – Heating Capacity

0 = No Electric Heat F = 14 kW (1 phase)^①
A = 5 kW (1 phase)^① G = 18 kW (1&3 phase)
B = 6 kW (3 phase) J = 23 kW (3 phase)
C = 9 kW (3 phase) K = 27 kW (3 phase)
D = 10 kW (1 phase)^① N = 36 kW (3 phase)
E = 12 kW (3 phase) P = 54 kW (3 phase)
L = Low Heat
M = Medium Heat
H = High Heat
X = Low Heat, Stainless Steel Heat Exchanger
Y = Medium Heat, Stainless Steel Heat Exchanger
Z = High Heat, Stainless Steel Heat Exchanger

Digit 11 – Minor Design Sequence

A = First Sequence^②
B = Second Sequence^②

Digit 12,13 – Service Sequence

**Factory Assigned

Digit 14 – Fresh Air Selection

0 = No Fresh Air
A = Manual Outside Air Damper 0-50%^④
B = Motorized Outside Air Damper 0-50%
C = Economizer, Dry Bulb 0-100% without Barometric Relief^⑦
D = Economizer, Dry Bulb 0-100% with Barometric Relief^⑦
E = Economizer, Reference Enthalpy 0-100% without Barometric Relief^{③⑦}
F = Economizer, Reference Enthalpy 0-100% with Barometric Relief^{③⑦}
G = Economizer, Comparative Enthalpy 0-100% without Barometric Relief^{③⑦}
H = Economizer, Comparative Enthalpy 0-100% with Barometric Relief^{③⑦}

Digit 15 – Supply Fan/Drive Type/Motor

0 = Standard Drive^⑤
1 = Oversized Motor
2 = Optional Belt Drive Motor^⑥

Digit 16 – Hinged Service Access/Filters

0 = Standard Panels/Standard Filters
A = Hinged Access Panels/Standard Filters
B = Standard Panels/2" MERV 7 Filters
C = Hinged Access Panels/2" MERV 7 Filters
D = Standard Panels/2" MERV 13 Filters
E = Hinged Access Panels/2" MERV 13 Filters

Digit 17 – Condenser Coil Protection

0 = Standard Coil
1 = Standard Coil with Hail Guard
2 = Black Epoxy Pre-Coated Condenser Coil
3 = Black Epoxy Pre-Coated Condenser Coil with Hail Guard
4 = Complete Coat™ Condenser Coil
5 = Complete Coat™ Condenser Coil with Hail Guard

Digit 18 – Through the Base Provisions

Note: *Applicable to Digit 1, T or Y models*
0 = No Through the Base Provisions
A = Through the Base Electric^⑧

Note: *Applicable to Digit 1, Y models only*

B = Through the Base Gas Piping^⑨
C = Through the Base Electric and Gas Piping^⑨

Digit 19 – Disconnect/Circuit Breaker (three - phase only)

0 = No Disconnect/No Circuit Breaker
1 = Unit Mounted Non-Fused Disconnect^⑩
2 = Unit Mounted Circuit Breaker^⑩

Digit 20 – Convenience Outlet

0 = No Convenience Outlet
A = Unpowered Convenience Outlet
B = Powered Convenience Outlet (three-phase only)^⑪

Digit 21 – Communications Options^⑫

0 = No Communications Interface
1 = Comm 3/4 Communications Interface
3 = Novar 2024 Controls

Digit 22 – Refrigeration System Option

0 = Standard Refrigeration System^⑬
B = Dehumidification Option

Digit 23 – Refrigeration Controls

Note: Applicable to Digit 7 = E
0 = No Refrigeration Control^⑭
1 = Frostat^⑮
2 = Crankcase Heater^⑯
3 = Frostat^⑮ and Crankcase Heater^⑯

Digit 24 – Smoke Detector^⑰

0 = No Smoke Detector
A = Return Air Smoke Detector^⑱
B = Supply Air Smoke Detector
C = Supply and Return Air Smoke Detectors^⑱

Digit 25 – Monitoring Controls

0 = No Monitoring Control^⑲
1 = Clogged Filter Switch^⑲
2 = Fan Failure Switch^⑲
3 = Discharge Air Sensing Tube^⑲
4 = Clogged Filter Switch and Fan Fail Switch^⑲
5 = Clogged Filter Switch and Discharge Air Sensing Tube^⑲
6 = Fan Fail Switch and Discharge Air Sensing Tube^⑲
7 = Clogged Filter and Fan Fail Switches and Discharge Air Sensing Tube^⑲
8 = Novar Return Air Sensor^⑲

① Available on 3-5 ton models.

② Standard on all 15 SEER and 4-5 Ton E3,4,W Heat Pumps and all 6-10 Ton units.

③ Not available with electromechanical controls.

④ Manual outside air damper will ship factory supplied within the unit, but must be field installed.

⑤ High pressure control is standard on all units.

⑥ On 3-5 ton, multispeed direct drive is standard on single phase and 15 SEER. On 6-10 ton, multispeed direct drive is standard on all 10 ton and 7.5-8.5 ton high efficiency. Belt drive is standard on all other units.

Digit 15 = 0

Standard Efficiency

1 Phase = High Efficiency Multispeed Direct Drive Motor
3 Phase (3-8½ Ton) = Belt Drive
3 Phase (10 Ton) = Ultra High Efficiency Direct Drive Plenum Fan

High Efficiency

1 Phase = High Efficiency Multispeed Direct Drive Motor
3 Phase (3-5 ton) = High Efficiency Multispeed Direct Drive Motor
3 Phase (3-5 ton w/Dehumidification) = Belt Drive Motor
3 Phase (7½-10 ton) = Ultra High Efficiency Direct Drive Plenum Fan

For complete equipment / combination selections, installation instructions and warranty information, please refer to Product Data/Ratings and/or Installers Guides and Limited Warranty Handbooks.

⑦ Economizer with Barometric Relief is for downflow configured units only. Order Economizer without Barometric Relief for horizontal configuration. Barometric Relief for horizontal configured units must be ordered as field installed accessory.

⑧ Through the base electric required when ordering disconnect/circuit breaker options.

⑨ Requires use of Disconnect or Circuit Breaker.

Not Available

Standard Efficiency

10 Ton w/575V

High Efficiency

3-5 ton w/Standard Indoor Motor w/460V

⑩ Standard metering devices are TXVs.

⑪ Frostat cannot be field installed in electro-mechanical units.

⑫ The return air smoke detector may not fit up or work properly on the Precedent units when used in conjunction with 3rd party accessories such as bolt on heat wheels, economizers and power exhaust. Do not order the return air smoke detectors when using this type of accessory.

⑬ Return Air Smoke Detector cannot be ordered with Novar Controls.

⑭ These options are standard when ordering Novar Controls.

⑮ This option is used when ordering Novar Controls.

⑯ Includes gas piping and shutoff (field assembly required).

⑰ Not available with high temperature duct sensor accessory.

⑱ Requires hinged access panels.

⑲ Digit 15 = 2

Standard Efficiency

1 Phase = Not Available

3 Phase = Not Available

High Efficiency

1 Phase = Not Available

3 Phase (3-5 ton) = **May be Ordered**

3 Phase (3-5 ton w/Dehumidification) = Not Available

3 Phase (6-10 ton) = Not Available

⑳ Available for T/Y 10 ton standard efficiency models only.

㉑ Available for T/Y 3,4,5,6,7½,8½ ton standard/high efficiency models only.

Model Nomenclature

Zone Controls

1 2 3 4 5 6 7 8 9 10 11 12 13 14 15
A Z O N E 9 5 0 A W 4 3 Z A A

Brand
A = American Standard
Z = Unbranded

Accessory Type
CONT = Control (thermostat)
ZONE = Control (zoning)

Model Series

Major Design Modifications

Control Platform
M = Mechanical
N = Non-programmable Electronic (Digital Display)
F = Five/Two Programmable Electronic (Digital Display)
S = Seven Day Programmable Electronic (Digital Display)
C = Communicating
W = Wireless
R = 3 Wire Communicating 24 Volt Relay Pack

Heating Stages

Cooling Stages

Equipment Application
A = AC / Heat (Gas or Electric)
G = AC / Heat (Gas)
E = AC / Heat (Electric)
H = Heat Pump
M = Multi-Application - AC / Heat (Gas/Elec) / Heat Pump
D = Dual Fuel, Heat Pump, or AC and Heat (Gas/Elec)
C = Communicating
Z = Zoning - Universal application - 3 wire Communicating and wireless zone control of AC or Heat (Gas/Elec) and Dual Fuel Heat Pump
U = Universal Application - Communicating Control of AC/Heat (Gas/Elec) / Dual Fuel Heat Pump

Minor Design Change

Service Digit

Zone Dampers

1 2 3 4 5 6 7 8 9 10 11 12 13 14 15
Z D A M P R D M A 0 0 1 2 A A

Brand
Z = Zoning

Damper

Model Series
RD = Round
RR = Retro-Fit Round
SM = Side Mount Rectangular
BM = Bottom Mount Rectangular

Modulating Damper (24 Volt, 60 Sec. Timing)

Major Design Modifications

Dimensions
0012 = 12" Round
1014 = 10" X 14" Rectangular (motor mounted on 2nd dimension)

Minor Design Change

Service Digit

Horizontal Blower Assembly

H B A C 1 5 A A A C 0
1 2 3 4 5 6 7 8 9 10 11

Horizontal Blower Motor (Digit 1-3)

Development Sequence (Digit 4)
C = Third Generation

Blower Size Digit 5-6)
15 = Nominal 1500 cfm
20 = Nominal 2000 cfm
30 = Nominal 3000 cfm
45 = Nominal 4500 cfm

Transition Size (Digit 7) (Specifies Duct Furnace Sets)
0 = None F = 225 MBh
A = 100 MBh G = 250 MBh
B = 125 MBh H = 300 MBh
C = 150 MBh J = 350 MBh
D = 175 MBh K = 400 MBh
E = 200 MBh

Main Power Supply (Digit 8)
A = 115/60/1
B = 230/60/1
C = 208/60/3
D = 230/60/3
E = 460/60/3
F = 575/60/3

Motor Horsepower (Digit 9)
A = 1/3 hp
B = 1/2 hp
C = 3/4 hp
D = 1 hp
E = 1 1/2 hp
F = 2 hp

Design Sequence (Digit 10)
D = Fourth Design

Miscellaneous Options (Digit 11)
0 = None
1 = Insulation
2 = Floor Mounting Legs
3 = Totally Enclosed Motor
S = Special

Model Nomenclature

Indoor Gas Heating Units

A B N D 0 0 3 A A F 1 0 0 0 +
1 2 3 4 5 6 7 8 9 10 11 12 13 14 15

Gas Heating Equipment (Digit 1)

Product Type (Digit 2)

T = Propeller Fan / Tubular Heat Exchanger
A = Separated Combustion Propeller Fan Unit Heater
B = High Efficiency Centrifugal Fan Unit Heater
L = High Efficiency Indoor Duct Furnace
H = High Efficiency Propeller Fan Unit Heater
K = Separated Combustion Centrifugal Fan Unit Heater
M = Separated Combustion Indoor Duct Furnace

Fuel (Digit 3)

N = Natural Gas P = LP Gas (Propane)

Development Sequence (Digit 4)

D = Fourth Generation

Input Capacity in 1000's (MBh) (Digit 5-7)

Single Furnace
003^(a) = 30 MBh 015 = 150 MBh
004^(a) = 45 MBh 017 = 175 MBh
006^(a) = 60 MBh 020 = 200 MBh
007^(a) = 75 MBh 022 = 225 MBh
009 = 90 MBh 025 = 250 MBh
010^(a) = 100 MBh 030 = 300 MBh
012^(a) = 125 MBh 035 = 350 MBh
011^(a) = 105 MBh 040 = 400 MBh
120^(c) = 120 MBh

^(a) Not available for high efficiency propeller fan.

^(b) Not available for tubular.

^(c) Available for tubular only.

Main Power Supply (Digit 8)

A = 115/60/1 B = 230/60/1
C = 208/60/3 D = 230/60/3
E = 460/60/3 F = 575/60/3

Gas Control Option (Digit 9)

D = Single-Stage, Intermittent Pilot Ignition
E = Two-Stage, Intermittent Pilot Ignition
H = Electronic Modulating with Room T-Stat, Intermittent Pilot Ignition
J = Electronic Modulating with Duct-Stat, Intermittent Pilot Ignition
L = Electronic Modulating with External 4-20 mA Input
N = Electronic Modulating with External 0 -10 VDC Input
T = Single - Stage Direct Spark Ignition
V = Two-Stage, Direct Spark Ignition

Design Sequence (Digit 10)

G = Seventh Design

Heat Exchanger Material (Digit 11)

1 = Aluminized Steel 2 = #409 Stainless Steel²
3 = #321 Stainless Steel³

Miscellaneous Options — All Units (Digit 15)

0 = None
A = #409 Stainless Steel Burners³
B = Orifice for Elevation above 2000 ft (specify elevation)

Propeller Fan Unit Heater (Hi-Effic.)

C = #409 Stainless Steel Draft Diverter D = Summer-Winter Switch 7 = OSHA Fan Guard
E = Vertical Louvers J = Totally Enclosed Motor

Centrifugal Fan Unit Heater (Hi-Effic.)

C = #409 Stainless Steel Draft Diverter D = Summer-Winter Switch J = Totally Enclosed Motor
E = Vertical Louvers H = Duct Discharge Flange

Duct Furnace (Indoor) (Hi-Effic.)

C = #409 Stainless Steel Draft Diverter D = Summer-Winter Switch
F = Horizontal Louvers G = Horizontal & Vertical Louvers
K = Side Access Burner Drawer (Left Hand)*
L = Fan Time Delay Control
M = Side Access Burner Drawer (Right Hand)*

Separated Combustion Indoor Duct Furnace

C = #409 Stainless Steel Draft Diverter D = Summer-Winter Switch
F = Horizontal Louvers G = Horizontal & Vertical Louvers

Tubular Heat Exchanger, Propeller Type

J = Totally Enclosed Motor 7 = OSHA Fan Guard

Notes:

1. All units are AGA approved. For CGA approved units, contact Macon Product Support.

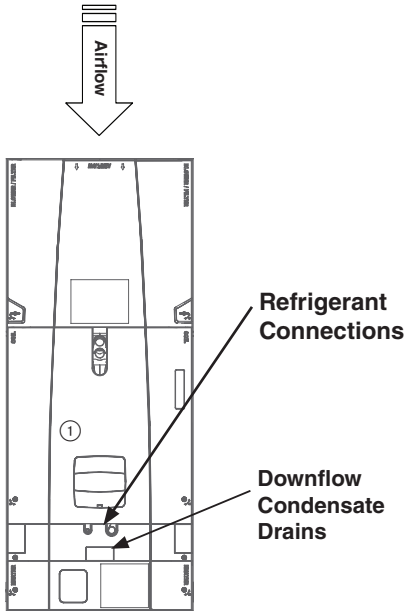
2. Available on the tubular sizes 100-400 only.

3. Not available for tubular.

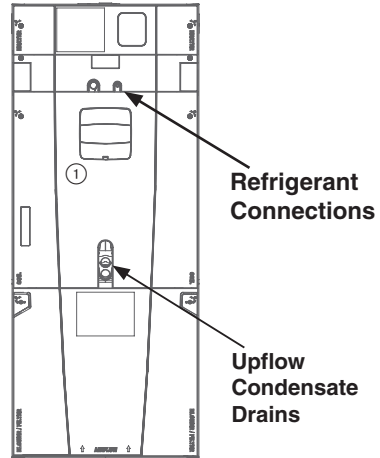
*The left or right hand side of the side access burner drawer, options K & M, is determined by facing the air outlet side of the duct furnace.

Multi-position Air Handler

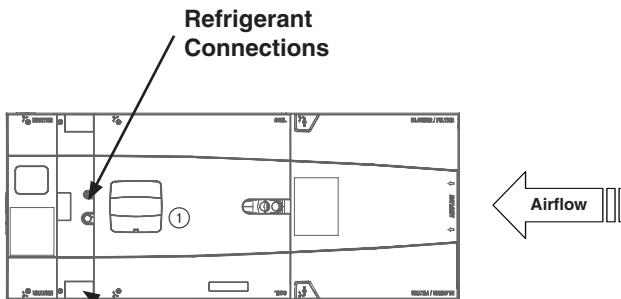
- * Note: No internal modifications required for any position.
- ① Badge rotation will keep brand in correct position



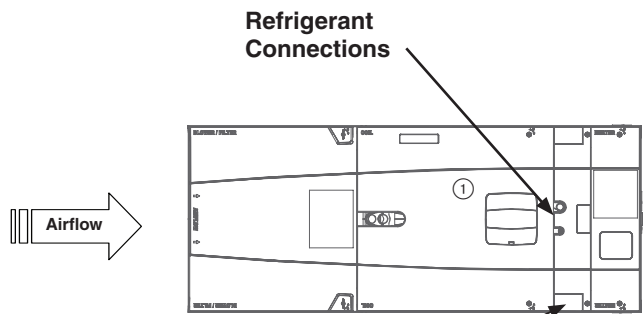
Vertical Downflow*
(as shipped)



Vertical Upflow*

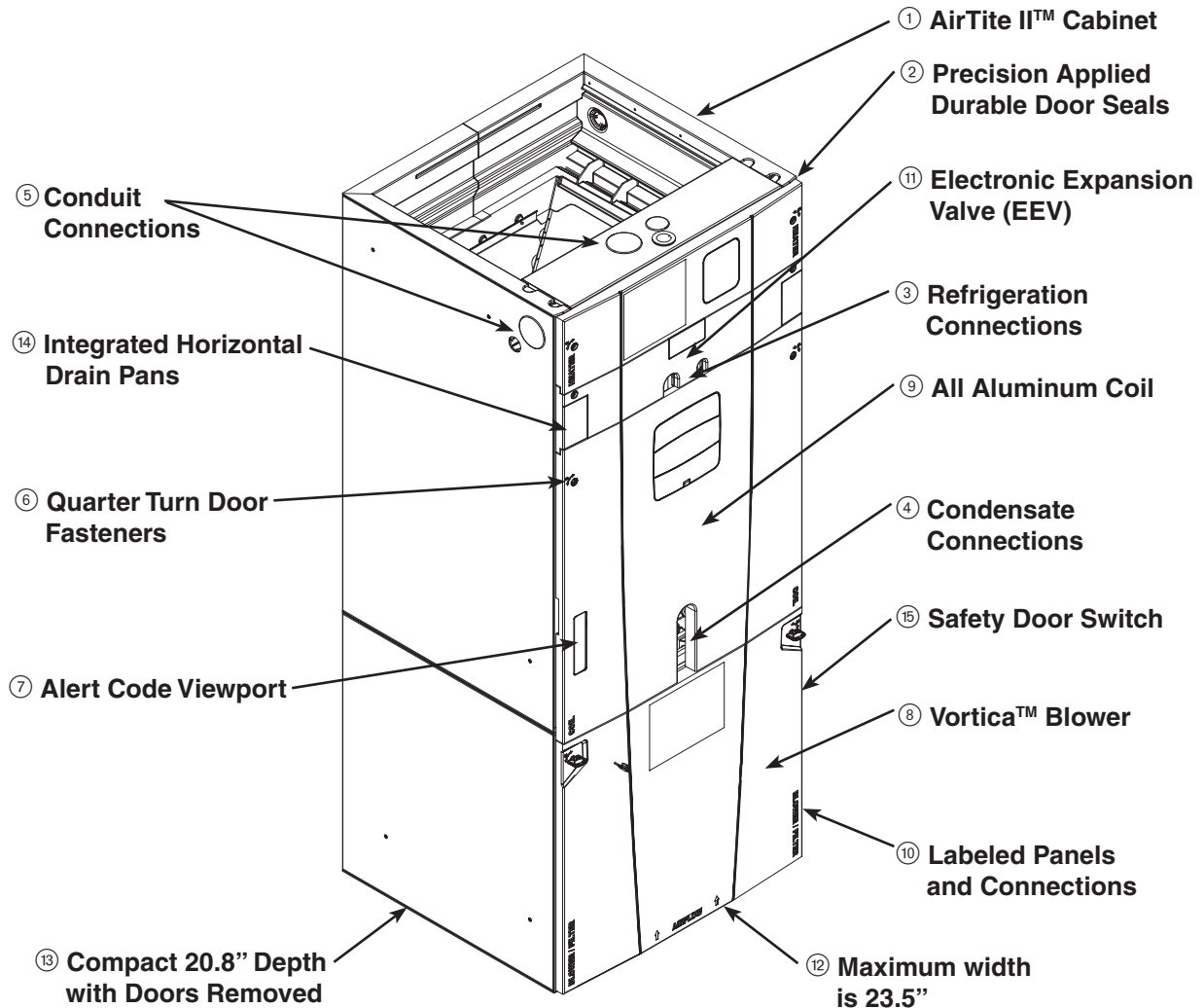


Horizontal Left*



Horizontal Right*

Features and Benefits



① AirTite II™ Cabinet

- Double wall foamed cabinet system
- Waterproof Cabinet Design (No Thermal Breakage)
- \geq R-4.2 Insulating Value
- Composite Foamed Cabinet Doors
- Sweat Eliminating Cabinet Design
- Loose Fiber Eliminating Design
- Smooth Cleanable Cabinet Design

② Precision Applied Durable Door Seals

③ Refrigeration Connections

④ Condensate Connections

⑤ Conduit Connections - Conduit Connections on Left, Right, and Top

⑥ Quarter Turn Door Fasteners

⑦ Alert Code Viewport

- Alert Codes can be Viewed Without Door Removal
- Control Protection Pocket

⑧ Vortica™ Blower

- Polarized Plug Connections
- Integrated Slide Deck for Easy Removal

⑨ All Aluminum Coil

- Integrated Slide Deck for Easy Removal
- Polarized Plug connections on Coil EEV
- Patented Enhanced Coil Fin

⑩ Labeled Panels and Connections

⑪ Electronic Expansion Valve (EEV)

- Low Ambient and Low Superheat Compressor Protection
- Dual Refrigerant Compatible as Shipped

⑫ Maximum width is 23.5"

⑬ Compact 20.8" Depth with Doors Removed

⑭ Integrated Horizontal Drain Pans

⑮ Safety Door Switch - Fused 24V Power

⑯ 5/16" Allen Wrench "Quick Latch" Modular Cabinet

Series 8 Variable Speed Multi-Position Air Handlers 2-5 Tons

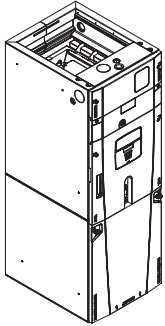


Table FAH-3-A — AccuLink™ Variable Speed R-410A with Smart Fan Options 200-230/1/60

Unit Model No.	Cooling Capacity (Btuh)	Dimensions (in.) H x W x D	Shipping Weight (lbs.)	Supply Opening	Return Opening	Filter Sizes	Line Size	
							Gas	Liquid
AAM8A0A24V21CA	24000	49.9x 17.5x 21.8	126	14.5x 14.35	14.5x 17.15	16x20x1	3/4	3/8
AAM8A0B30V21CA	30000	55.7x 21.3x 21.8	150	18.4x 14.35	18.4x 17.15	20x20x1	3/4	3/8
AAM8A0C36V31CA	36000	56.9x 23.5x 21.8	157	20.5x 14.35	20.5x 17.15	22x20x1	7/8	3/8
AAM8A0C42V31CA	42000	56.9x 23.5x 21.8	162	20.5x 14.35	20.5x 17.15	22x20x1	7/8	3/8
AAM8A0C48V41CA	48000	61.7x 23.5x 21.8	174	20.5x 14.35	20.5x 17.15	22x20x1	7/8	3/8
AAM8A0C60V51CA	60000	61.7x 23.5x 21.8	175	20.5x 14.35	20.5x 17.15	22x20x1	7/8	3/8
AAM8A0C61V51CA	61000	61.7x 23.5x 21.8	177	20.5x 14.35	20.5x 17.15	22x20x1	7/8	3/8

Series 7 Variable Speed Multi-Position Air Handlers 2-5 Tons

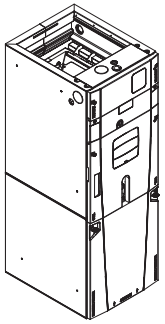


Table FAH-3-B — Variable Speed R-410A with Comfort-R™ Enhanced Mode Option 200-230/1/60

Unit Model No.	Cooling Capacity (Btuh)	Dimensions (in.) H x W x D	Shipping Weight (lbs.)	Supply Opening	Return Opening	Filter Sizes	Line Size	
							Gas	Liquid
AAM7A0A24H21SA	24000	49.9x 17.5x 21.8	126	14.5x 14.35	14.5x 17.15	16x20x1	3/4	3/8
AAM7A0B30H21SA	30000	55.7x 21.3x 21.8	150	18.4x 14.35	18.4x 17.15	20x20x1	3/4	3/8
AAM7A0C36H31SA	36000	56.9x 23.5x 21.8	157	20.5x 14.35	20.5x 17.15	22x20x1	7/8	3/8
AAM7A0C42H31SA	42000	56.9x 23.5x 21.8	162	20.5x 14.35	20.5x 17.15	22x20x1	7/8	3/8
AAM7A0C48H41SA	48000	61.7x 23.5x 21.8	174	20.5x 14.35	20.5x 17.15	22x20x1	7/8	3/8
AAM7A0C60H51SA	60000	61.7x 23.5x 21.8	175	20.5x 14.35	20.5x 17.15	22x20x1	7/8	3/8
AAM7A0C61H51SA	61000	61.7x 23.5x 21.8	177	20.5x 14.35	20.5x 17.15	22x20x1	7/8	3/8

Series 7 & 8 Variable Speed Multi-Position Air-Tite™ Air Handlers

Table FAH-4-A — Features

	AAM7 2-5	AAM8 2-5
• Air-Tite II™ cabinet	✓	✓
– 2% or less air leakage	✓	✓
– Precision applied - durable door seals	✓	✓
– Specially designed air seal around refrigerant, condensate and conduit connections	✓	✓
– Double wall foamed cabinet system	✓	✓
– ≥ R-4.2 insulating value	✓	✓
– No loose fiber design	✓	✓
– Smooth cleanable interior design	✓	✓
– Sweat eliminating design	✓	✓
– Composite foamed cabinet doors	✓	✓
– Water proof cabinet design	✓	✓
– Integrated horizontal drain pans	✓	✓
– Modular cabinet with 5/16" allen wrench "quick latch" design	✓	✓
• Multi-position up/down flow horizontal left/right	✓	✓
• Side return option (sold as accessory)	✓	✓
• Control board protection pocket built into cabinet wall	✓	✓
• Alert port to view control board codes without door removal	✓	✓
• AccuLink™ control	✓	✓
• Alert code notification	✓	✓
• 5 button user interface and clear description of set up	—	✓
• Service diagnostic with alert reported at user interface	—	✓
• Low voltage terminal connection point	✓	✓
• Quarter turn phillips head door fasteners	✓	✓
• Vortica® blower with polarized plug connections and integrated slide deck for easy removal	✓	✓
• Aluminum coil with integrated slide deck for easy removal and polarized plug connections on coil EEV	✓	✓
• Patented enhanced coil fin	✓	✓
• Electronic Expansion Valve (EEV) with low ambient and low superheat compressor protection	✓	✓
• Dual refrigerant compatible as shipped	✓	✓
• Slide in electric heaters with polarized plug connections (sold as accessory)	✓	✓
• Slide in hot water coils with polarized plug connections (sold as accessory)	✓	✓
• UVC light kit with safety switch and polarized plug connections (sold as accessory)	✓	✓
• Labeled panels and connections	✓	✓
• Molded in 1" standard filter rail	✓	✓
• Variable speed ECM motor	✓	✓
• Soft start fan motor operation	✓	✓
• Comfort R™ mode	✓	✓
• Built in fan delay modes	✓	✓
• Maximum width of 23.5"	✓	✓
• Compact 20.8" depth with doors removed	✓	✓
• Two tone color	✓	✓
• Fused 24v power	✓	✓
• Safety door switch	✓	✓
• 1-year warranty	✓	✓
• 10-year warranty registered	✓	✓
• Optional extended warranty available	✓	✓

Series 7 & 8 Variable Speed Multi-Position Air-Tite™ Air Handlers

Table FAH-5-A — Optional Accessories

Model Number	Description	Shipping Weight	Matches Cabinet Size(s) ^①	AAM7	AAM8
BAYWVAA05SC0AA	Hydronic Heater, Cabinet A		A	✓	✓
BAYWVBB07SC0AA	Hydronic Heater, Cabinet B		B	✓	✓
BAYWVCC08SC1AA	Hydronic Heater, Cabinet C		C	✓	✓
BAYWVCC10SC1AA	Hydronic Heater, Cabinet C, External		C	✓	✓
BAYSUPFLGAA	Supply Duct Flange A		A	✓	✓
BAYSUPFLGBA	Supply Duct Flange B		B	✓	✓
BAYSUPFLGCA	Supply Duct Flange C		C	✓	✓
BAYRETFLGAA	Return Duct Flange A		A	✓	✓
BAYRETFLGBA	Return Duct Flange B		B	✓	✓
BAYRETFLGCA	Return Duct Flange C		C	✓	✓
TASB175	Plenum Stand A		A	✓	✓
TASB215	Plenum Stand B		B	✓	✓
TASB235	Plenum Stand C		C	✓	✓
BAYSPEKT200	Single Power Entry Kit	5		✓	✓
BAYSRKIT100	Side Return Kit			✓	✓
BAYICKIT01	Internal Condensate Switch Kit			✓	— ^②
BAYHHKIT001	Horizontal Hanger Kit			✓	✓
BAYUVCLK001	UVC Lights			✓	✓
BAYLVKIT100	Low Voltage Conduit Entry Kit			✓	✓

① A Cabinet is 17.5" wide, B Cabinet is 21.5" wide, C Cabinet is 23.5" wide.

② Shipped with series 8 air handlers.

Series 4 Multi-Position Air Handlers Single Phase 1½-5 Tons

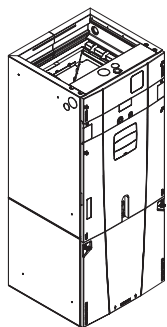


Table FAH-6-A — Multi-Speed PSC Motor 200-230/1/60

Unit Model No.	Cooling Capacity (Btuh)	Dimensions (in.) H x W x D	Shipping Weight (lbs.)	Supply Opening	Return Opening	Filter Sizes	Line Size	
							Gas	Liquid
AAM4A0A18S11SA	18000	49.9x 17.5x 21.8	123	14.5x 14.35	14.5x 17.15	16x20x1	¾	¾
AAM4A0A24S21SA	24000	49.9x 17.5x 21.8	126	14.5x 14.35	14.5x 17.15	16x20x1	¾	¾
AAM4A0A30S21SA	30000	49.9x 17.5x 21.8	127	14.5x 14.35	14.5x 17.15	16x20x1	7/8	¾
AAM4A0A36S31SA	36000	49.9x 17.5x 21.8	130	14.5x 14.35	14.5x 17.15	16x20x1	7/8	¾
AAM4A0B42S31SA	42000	51.5x 21.3x 21.8	144	18.4x 14.35	18.4x 17.15	20x20x1	7/8	¾
AAM4A0B48S41SA	48000	55.7x 21.3x 21.8	155	18.4x 14.35	18.4x 17.15	20x20x1	7/8	¾
AAM4A0C60S51SA [Ⓢ]	60000	56.9x 23.5x 21.8	171	20.5x 14.35	20.5x 17.15	22x20x1	7/8	¾

[Ⓢ] High efficiency ECM motor.

Series 4 Multi-Position Air Handlers Single Phase 1½-5 Tons

Table FAH-7-A — Features	AAM4 1 1/2-5
• Air-Tite II™ Cabinet	✓
– 2% or less air leakage.....	✓
– Precision applied - durable door seals.....	✓
– Specially designed air seal around refrigerant, condensate and conduit connections	✓
– Double wall foamed cabinet system.....	✓
– ≥ R-4.2 insulating value.....	✓
– No loose fiber design	✓
– Smooth cleanable interior design.....	✓
– Sweat eliminating design	✓
– Composite foamed cabinet doors	✓
– Water proof cabinet design	✓
– Integrated horizontal drain pans.....	✓
– Modular cabinet with 5/16" allen wrench "quick latch" design	✓
• Multi-position up/down flow horizontal left/right	✓
• Side return option (sold as accessory)	✓
• Control board protection pocket built into cabinet wall.....	✓
• Alert port to view control board codes without door removal	✓
• Alert code notification.....	✓
• Low voltage terminal connection point.....	✓
• Quarter turn phillips head door fasteners	✓
• Vortica® blower with polarized plug connections and integrated slide deck for easy removal	✓
• Aluminum coil with integrated slide deck for easy removal and polarized plug connections on coil EEV	✓
• Enhanced coil fin patented.....	✓
• Electronic Expansion Valve (EEV) with low ambient and low superheat compressor protection	✓
• Dual refrigerant compatible as shipped	✓
• Slide in electric heaters with polarized plug connections (sold as accessory)	✓
• UVC light kit with safety switch and polarized plug connections (sold as accessory)	✓
• Labeled panels and connections	✓
• Molded in 1" standard filter rail	✓
• PSC 3 speed motor.....	✓
• High efficiency ECM motor	✓
• Maximum width of 23.5".....	✓
• Compact 20.8" depth with doors removed.....	✓
• Two tone color.....	✓
• Fused 24v power.....	✓
• Safety door switch	✓
• 1-year warranty	✓
• 10-year warranty registered	✓
• Optional extended warranty available	✓

1½-4
5

Series 4 Multi-Position Air Handlers Single Phase 1½-5 Tons

Table FAH-8-A — Optional Accessories

Model Number	Description	Shipping Weight	Matches Cabinet Size(s) ^①	AAM4
BAYSUPFLGAA	Supply Duct Flange A		A	✓
BAYSUPFLGBA	Supply Duct Flange B		B	✓
BAYSUPFLGCA	Supply Duct Flange C		C	✓
BAYRETF LGAA	Return Duct Flange A		A	✓
BAYRETF LGBA	Return Duct Flange B		B	✓
BAYRETF LGCA	Return Duct Flange C		C	✓
TASB175	Plenum Stand A		A	✓
TASB215	Plenum Stand B		B	✓
TASB235	Plenum Stand C		C	✓
BAYSPEKT200	Single Power Entry Kit	5		✓
BAYSRKIT100	Side Return Kit			✓
BAYICSKIT01	Internal Condensate Switch Kit			✓
BAYHHKIT001	Horizontal Hanger Kit			✓
BAYUVCLK001	UVC Lights			✓
BAYLVKIT100A	Low Voltage Conduit Entry Kit			✓

① A Cabinet is 17.5" wide, B Cabinet is 21.5" wide, C Cabinet is 23.5" wide.

Series 5 Multi-Position Air Handlers Single Phase 1½-5 Tons

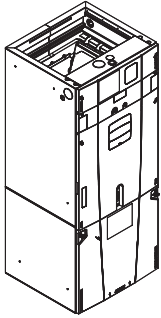


Table FAH-9-A — Multi-Speed High Efficiency Motor 200-230/1/60

Unit Model No.	Cooling Capacity (Btuh)	Dimensions (in.) H x W x D	Shipping Weight (lbs.)	Supply Opening	Return Opening	Filter Sizes	Line Size	
							Gas	Liquid
GAM5A0A18M11SA	18000	49.9x17.5x21.8	126	14.5x14.35	14.5x17.15	16x20x1	¾	¾
GAM5A0A24M21SA	24000	49.9x17.5x21.8	126	14.5x14.35	14.5x17.15	16x20x1	¾	¾
GAM5A0B30M21SA	30000	51.5x21.3x21.8	140	18.4x14.35	18.4x17.15	20x20x1	¾	¾
GAM5A0B36M31SA	36000	55.7x21.3x21.8	150	18.4x14.35	18.4x17.15	20x20x1	7/8	¾
GAM5A0C42M31SA	42000	56.9x23.5x21.8	163	20.5x14.35	20.5x17.15	22x20x1	7/8	¾
GAM5A0C48M41SA	48000	61.7x23.5x21.8	176	20.5x14.35	20.5x17.15	22x20x1	7/8	¾
GAM5A0C60M51SA	60000	61.7x23.5x21.8	180	20.5x14.35	20.5x17.15	22x20x1	7/8	¾

Series 5 Multi-Position Air Handlers Single Phase 1½-5 Tons

Table FAH-10-A — Features

	GAM5 1 1/2-5
• Air-Tite II™ Cabinet	✓
– 2% or less air leakage	✓
– Precision applied - durable door seals	✓
– Specially designed air seal around refrigerant, condensate and conduit connections	✓
– Double wall foamed cabinet system	✓
– ≥ R-4.2 insulating value	✓
– No loose fiber design	✓
– Smooth cleanable interior design	✓
– Sweat eliminating design	✓
– Composite foamed cabinet doors	✓
– Water proof cabinet design	✓
– Integrated horizontal drain pans	✓
– Modular cabinet with 5/16" allen wrench "quick latch" design	✓
• Multi-position up/down flow horizontal left/right	✓
• Side return option (sold as accessory)	✓
• Control board protection pocket built into cabinet wall	✓
• Alert port to view control board codes without door removal	✓
• Alert code notification	✓
• Low voltage terminal connection point	✓
• Quarter turn phillips head door fasteners	✓
• Vortica® blower with polarized plug connections and integrated slide deck for easy removal	✓
• Aluminum coil with integrated slide deck for easy removal and polarized plug connections on coil EEV	✓
• Patented enhanced coil fin	✓
• Electronic Expansion Valve (EEV) with low ambient and low superheat compressor protection	✓
• Dual refrigerant compatible as shipped	✓
• Slide in electric heaters with polarized plug connections (sold as accessory)	✓
• UVC light kit with safety switch and polarized plug connections (sold as accessory)	✓
• Labeled panels and connections	✓
• Molded in 1" standard filter rail	✓
• High efficiency ECM motor	✓
• Maximum width of 23.5"	✓
• Compact 20.8" depth with doors removed	✓
• Single color	✓
• Fused 24v power	✓
• Safety door switch	✓
• 1-year warranty	✓
• 5-year warranty registered	✓
• Warranty mirrors outdoor unit when installed and registered as part of an AHRI certified matched system	✓
• Optional extended warranty available	✓

Series 5 Multi-Position Air Handlers Single Phase 1½-5 Tons

Table FAH-11-A — Optional Accessories

Model Number	Description	Shipping Weight	Matches Cabinet Size(s) ^①	GAM5
BAYSUPFLGAA	Supply Duct Flange A		A	✓
BAYSUPFLGBA	Supply Duct Flange B		B	✓
BAYSUPFLGCA	Supply Duct Flange C		C	✓
BAYRETFLGAA	Return Duct Flange A		A	✓
BAYRETFLGBA	Return Duct Flange B		B	✓
BAYRETFLGCA	Return Duct Flange C		C	✓
TASB175	Plenum Stand A		A	✓
TASB215	Plenum Stand B		B	✓
TASB235	Plenum Stand C		C	✓
BAYSPEKT200	Single Power Entry Kit	5		✓
BAYSRKIT100	Side Return Kit			✓
BAYICKIT01	Internal Condensate Switch Kit			✓
BAYHHKIT001	Horizontal Hanger Kit			✓
BAYUVCLK001	UVC Lights			✓
BAYLVKIT100A	Low Voltage Conduit Entry Kit			✓

① A Cabinet is 17.5" wide, B Cabinet is 21.5" wide, C Cabinet is 23.5" wide.

Series 2 Split System Air Handlers Single Phase 1½-5 Tons

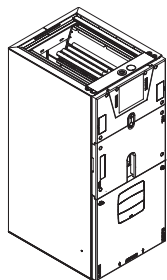


Table FAH-12-A — Multi-Speed PSC Motor 200-230/1/60

Unit Model No.	Cooling Capacity (Btuh)	Dimensions (in.) H x W x D	Shipping Weight (lbs.)	Supply Opening	Return Opening	Filter Sizes	Line Size	
							Gas	Liquid
GAF2A0A18S11SA	18000	39.5x17.5x21.8	117	14.5x14.35	14.5x17.15	N/A	¾	⅜
GAF2A0A24S21SA	24000	39.5x17.5x21.8	120	14.5x14.35	14.5x17.15	N/A	¾	⅜
GAF2A0A30S21SA	30000	39.5x17.5x21.8	121	14.5x14.35	14.5x17.15	N/A	¾	⅜
GAF2A0A36S31SA	36000	39.5x17.5x21.8	122	14.5x14.35	14.5x17.15	N/A	¾	⅜

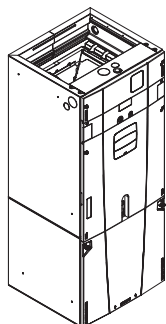


Table FAH-12-B — Multi-Speed PSC Motor 200-230/1/60

Unit Model No.	Cooling Capacity (Btuh)	Dimensions (in.) H x W x D	Shipping Weight (lbs.)	Supply Opening	Return Opening	Filter Sizes	Line Size	
							Gas	Liquid
GAT2A0B42S31SA	42000	51.5x21.3x21.8	144	18.4x14.35	18.4x17.15	20x20x1	7/8	⅜
GAT2A0B48S41SA	48000	55.7x21.3x21.8	155	18.4x14.35	18.4x17.15	20x20x1	7/8	⅜
GAT2A0C60S51SA	60000	56.9x23.5x21.8	171	20.5x14.35	20.5x17.15	22x20x1	7/8	⅜

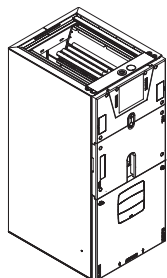


Table FAH-12-C — Multi-Speed High Efficiency ECM Motor 200-230/1/60

Unit Model No.	Cooling Capacity (Btuh)	Dimensions (in.) H x W x D	Shipping Weight (lbs.)	Supply Opening	Return Opening	Filter Sizes	Line Size	
							Gas	Liquid
GAF2A0A36M31SA	36000	39.5x17.5x21.8	118	14.5x14.35	14.5x17.15	N/A	¾	⅜

Series 2 Split System Air Handlers Single Phase 1½-5 Tons

Table FAH-13-A — Features	GAF2 1 1/2-3	GAT2 3 1/2-5
• Air-Tite II™ Cabinet	✓	✓
– 2% or less air leakage	✓	✓
– Precision applied - durable door seals	✓	✓
– Specially designed air seal around refrigerant, condensate and conduit connections	✓	✓
– Double wall foamed cabinet system	✓	✓
– ≥ R-4.2 insulating value	✓	✓
– No loose fiber design	✓	✓
– Smooth cleanable interior design	✓	✓
– Sweat eliminating design	✓	✓
– Composite foamed cabinet doors	✓	✓
– Water proof cabinet design	✓	✓
– Integrated horizontal drain pans	✓	✓
• 3 way conversion up flow/horizontal left/right	✓	✓
• Front return option	✓	✓
• Control board protection pocket built into cabinet wall	✓	—
• Low voltage terminal connection point	✓	✓
• 5/16" fasteners	✓	✓
• Vortica® blower with polarized plug connections and integrated slide deck for easy removal	✓	✓
• Aluminum coil with integrated slide deck for easy removal and polarized plug connections on coil EEV (GAF2A0A36M311SA)	3	—
• Patented enhanced coil fin	✓	✓
• R-410A TXV	✓	✓
• Slide in electric heaters with polarized plug connections (sold as accessory)	—	✓
• UVC light kit with safety switch and polarized plug connections (sold as accessory)	—	✓
• Labeled panels and connections	✓	✓
• Molded in 1" standard filter rail	—	✓
• PSC 3 speed motor	✓	✓
• High efficiency ECM motor (GAF2A0A36M311SA)	3	—
• Maximum width of 23.5"	✓	✓
• Compact 20.8" depth with doors removed	✓	✓
• Single color	✓	✓
• Fused 24v power	✓	✓
• Safety door switch	✓	✓
• 1-year warranty	✓	✓
• 5-year warranty registered	✓	✓
• Warranty mirrors outdoor unit when installed and registered as part of an AHRI certified matched system	✓	✓
• Optional extended warranty available	✓	✓

Series 2 Split System Air Handlers Single Phase 1½-5 Tons

Table FAH-14-A — Optional Accessories

Model Number	Description	Shipping Weight	Matches Cabinet Size(s) ^①	GAF2	GAT2
BAYSUPFLGAA	Supply Duct Flange A		A	✓	—
BAYSUPFLGBA	Supply Duct Flange B		B	—	✓
BAYSUPFLGCA	Supply Duct Flange C		C	—	✓
BAYRETF LGAA	Return Duct Flange A		A	✓	—
BAYRETF LGBA	Return Duct Flange B		B	—	✓
BAYRETF LGCA	Return Duct Flange C		C	—	✓
TASB175	Plenum Stand A		A	✓	—
TASB215	Plenum Stand B		B	—	✓
TASB235	Plenum Stand C		C	—	✓
BAYSPEKT200	Single Power Entry Kit	5		—	✓
BAYFRKIT100	Front Return Kit			✓	—
BAYBRFBX100	Bottom Return Filter Box			✓	—
BAYSRKIT100	Side Return Kit			—	✓
BAYICSKIT01	Internal Condensate Switch Kit			✓	✓
BAYWMKIT001	Wall Mount Kit			✓	—
BAYHHKIT001	Horizontal Hanger Kit			—	✓
BAYUVCLK001	UVC Lights			—	✓
BAYLVKIT100	Low Voltage Conduit Entry Kit			✓	✓

① A Cabinet is 17.5" wide, B Cabinet is 21.5" wide, C Cabinet is 23.5" wide.

Heaters for Multi-Position Air Handlers

Table FAH-15-A — BAYEA — Heater, Standard, for 4 Series, 5 Series, and GAT2 Air Handlers

Heater Model Number	Capacity @ 240 Volts		Capacity @ 208 Volts		Voltage	Control Stages	Number of Heater Racks	Number of Circuits	Heater Amps per Circuit		Contains Circuit Breakers
	kW	BTUH	kW	Rated BTUH					208 Volts	240Volt	
BAYEAAC05BK1AA	4.80	16400	3.60	12300	208/240/1/60	1	1	1	17.3	20	Yes
BAYEAAC05LG1AA	4.80	16400	3.60	12300	208/240/1/60	1	1	1	17.3	20	No
BAYEAAC08BK1AA	7.68	26200	5.76	19700	208/240/1/60	2	2	1	27.7	32	Yes
BAYEAAC08LG1AA	7.68	26200	5.76	19700	208/240/1/60	2	2	1	27.7	32	No
BAYEAAC10BK1AA	9.60	32800	7.20	24600	208/240/1/60	2	2	1	34.6	40	Yes
BAYEAAC10LG1AA	9.60	32800	7.20	24600	208/240/1/60	2	2	1	34.6	40	No
BAYEABC15BK1AA	14.40	49200	10.80	36900	208/240/1/60	3	3	2	34.6/17.3	40/20	Yes
BAYEABC20BK1AA	19.20	65600	14.40	49200	208/240/1/60	4	4	2	34.6/34.6	40/40	Yes
BAYEACC25BK1AA	24.00	82000	18.00	61500	208/240/1/60	5	5	3	34.6/34.6/17.3	40/40/20	Yes

BK = Contains circuit breakers
LG = Contains lug connections

Table FAH-15-B — BAYEV — Heater, Standard, for 7 and 8 Series Air Handlers

Heater Model Number	Capacity @ 240 Volts		Capacity @ 208 Volts		Voltage	Control Stages	Number of Heater Racks	Number of Circuits	Heater Amps per Circuit		Contains Circuit Breakers
	kW	BTUH	kW	Rated BTUH					208 Volts	240Volt	
BAYEVAC05BK1AA	4.80	16400	3.60	12300	208/240/1/60	1	1	1	17.3	20	Yes
BAYEVAC05LG1AA	4.80	16400	3.60	12300	208/240/1/60	1	1	1	17.3	20	No
BAYEVAC08BK1AA	7.68	26200	5.76	19700	208/240/1/60	2	2	1	27.7	32	Yes
BAYEVAC08LG1AA	7.68	26200	5.76	19700	208/240/1/60	2	2	1	27.7	32	No
BAYEVAC10BK1AA	9.60	32800	7.20	24600	208/240/1/60	2	2	1	34.6	40	Yes
BAYEVAC10LG1AA	9.60	32800	7.20	24600	208/240/1/60	2	2	1	34.6	40	No
BAYEVBC15BK1AA	14.40	49200	10.80	36900	208/240/1/60	3	3	2	34.6/17.3	40/20	Yes
BAYEVBC20BK1AA	19.20	65600	14.40	49200	208/240/1/60	4	4	2	34.6/34.6	40/40	Yes
BAYEVCC25BK1AA	24.00	82000	18.00	61500	208/240/1/60	5	5	3	34.6/34.6/17.3	40/40/20	Yes

BK = Contains circuit breakers
LG = Contains lug connections

Table FAH-15-C — BAYEC — Heater, Compact, with Lugs, for GAF2 Air Handlers

Heater Model Number	Capacity @ 240 Volts		Capacity @ 208 Volts		Voltage	Control Stages	Number of Heater Racks	Number of Circuits	Heater Amps per Circuit		Contains Circuit Breakers
	kW	BTUH	kW	Rated BTUH					208 Volts	240Volt	
BAYECAA05LG1AA	4.80	16400	3.60	12300	208/240/1/60	1	1	1	17.3	20	No
BAYECAA08LG1AA	7.68	26200	5.76	19700	208/240/1/60	2	2	1	27.7	32	No
BAYECAA10LG1AA	9.60	32800	7.20	24600	208/240/1/60	2	2	1	34.6	40	No

Table FAH-15-D — BAYEV — Heater, 3-Phase, for 7 and 8 Series Air Handlers

Heater Model Number	Capacity @ 240 Volts		Capacity @ 208 Volts		Voltage	Control Stages	Number of Heater Racks	Number of Circuits	Heater Amps per Circuit		Contains Circuit Breakers
	kW	BTUH	kW	Rated BTUH					208 Volts	240Volt	
BAYEVAC10LG3AA	9.60	32800	7.20	24600	208/240/1/60	1	3	1	34.6	40	No
BAYEVBC15LG3AA	9.60	32800	7.20	24600	208/240/1/60	1	3	1	34.6	40	No

Heaters for Multi-Position Air Handlers

Table FAH-16-A — Air Handler/Heater Matrix

AIR HANDLER	HEATER MODEL NUMBER BAYEA-								
	AC05BK1AA 4.80 Kw BK	AC05LG1AA 4.80 Kw LG	AC08BK1AA 7.68 Kw BK	AC08LG1AA 7.68 Kw LG	AC10BK1AA 9.60 Kw BK	AC10LG1AA 9.60 Kw LG	BC15BK1AA 14.40 Kw BK	BC20BK1AA 19.20 Kw BK	CC25BK1AA 24.00 Kw BK
GAM5A0A18M11SA	Y	Y	Y	Y	Y	Y	—	—	—
GAM5A0A24M21SA	Y	Y	Y	Y	Y	Y	—	—	—
GAM5A0B30M21SA	Y	Y	Y	Y	Y	Y	Y	—	—
GAM5A0B36M31SA	Y	Y	Y	Y	Y	Y	Y	—	—
GAM5A0C42M31SA	Y	Y	Y	Y	Y	Y	Y	—	—
GAM5A0C48M41SA	Y	Y	Y	Y	Y	Y	Y	Y	Y
GAM5A0C60M51SA	Y	Y	Y	Y	Y	Y	Y	Y	Y
AAM4A0A18S11SA	Y	Y	Y	Y	Y	Y	—	—	—
AAM4A0A24S21SA	Y	Y	Y	Y	Y	Y	Y	—	—
AAM4A0A30S21SA	Y	Y	Y	Y	Y	Y	Y	—	—
AAM4A0A36S31SA	Y	Y	Y	Y	Y	Y	Y	—	—
AAM4A0B42S31SA	Y	Y	Y	Y	Y	Y	Y	Y	—
AAM4A0B48S41SA	Y	Y	Y	Y	Y	Y	Y	Y	Y
AAM4A0C60S51SA	Y	Y	Y	Y	Y	Y	Y	Y	Y
GAT2A0B42S31SA	Y	Y	Y	Y	Y	Y	Y	Y	—
GAT2A0B48S41SA	Y	Y	Y	Y	Y	Y	Y	Y	—
GAT2A0B48S4ASA	Y	Y	Y	Y	Y	Y	Y	Y	—
GAT2A0C60S51SA	Y	Y	Y	Y	Y	Y	Y	Y	Y
GAT2A0C60S5ASA	Y	Y	Y	Y	Y	Y	Y	Y	Y
HEATER MODEL NUMBER BAYEV-									
AAM8A0A24V21CA	Y	Y	Y	Y	Y	Y	—	—	—
AAM8A0B30V21CA	Y	Y	Y	Y	Y	Y	Y	—	—
AAM8A0C36V31CA	Y	Y	Y	Y	Y	Y	Y	Y	—
AAM8A0C42V31CA	Y	Y	Y	Y	Y	Y	Y	Y	—
AAM8A0C48V41CA	Y	Y	Y	Y	Y	Y	Y	Y	Y
AAM8A0C60V51CA	Y	Y	Y	Y	Y	Y	Y	Y	Y
AAM8A0C61V51CA	Y	Y	Y	Y	Y	Y	Y	Y	Y
AAM7A0A24H21SA	Y	Y	Y	Y	Y	Y	—	—	—
AAM7A0B30H21SA	Y	Y	Y	Y	Y	Y	Y	—	—
AAM7A0C36H31SA	Y	Y	Y	Y	Y	Y	Y	Y	—
AAM7A0C42H31SA	Y	Y	Y	Y	Y	Y	Y	Y	—
AAM7A0C48H41SA	Y	Y	Y	Y	Y	Y	Y	Y	Y
AAM7A0C60H51SA	Y	Y	Y	Y	Y	Y	Y	Y	Y
AAM7A0C61H51SA	Y	Y	Y	Y	Y	Y	Y	Y	Y

AIR HANDLER	HEATER MODEL NUMBER BAYEC-		
	AA05LG1AA 4.80 Kw BK	AA08LG1AA 7.68 Kw LG	AA10LG1AA 9.60 Kw LG
GAF2A0A18S11SA	Y	Y	Y
GAF2A0A24S21SA	Y	Y	Y
GAF2A0A30S21SA	Y	Y	Y
GAF2A0A36M31SA	Y	Y	Y
GAF2A0A36S31SA	Y	Y	Y
GAF2A0A36S3ASA	Y	Y	Y

AIR HANDLER	HEATER MODEL NUMBER BAYEV-	
	AC10LG3AA 9.60 Kw LG	BC15LG3AA 14.4 Kw LG
AAM8A0A24V21CA	Y	—
AAM8A0B30V21CA	Y	Y
AAM8A0C36V31CA	Y	Y
AAM8A0C42V31CA	Y	Y
AAM8A0C48V41CA	Y	Y
AAM8A0C60V51CA	Y	Y
AAM8A0C61V51CA	Y	Y
AAM7A0A24H21SA	Y	—
AAM7A0B30H21SA	Y	Y
AAM7A0C36H31SA	Y	Y
AAM7A0C42H31SA	Y	Y
AAM7A0C48H41SA	Y	Y
AAM7A0C60H51SA	Y	Y
AAM7A0C61H51SA	Y	Y

BK = Contains circuit breakers
 LG = Contains lug connections
 BK = Contains circuit breakers
 LG = Contains lug connections

For complete equipment / combination selections, installation instructions and warranty information, please refer to Product Data/Ratings and/or Installers Guides and Limited Warranty Handbooks.

AccuLink™ Thermostat - Platinum ZV

AZONE950AC52ZA



- Controls Communicating or conventional 24V HVAC systems (5 heat/2 cool/Dual Fuel) with 24V Relay Panel Accessory
- 7" High Definition Color LCD Display
- Compatible with AccuLink™ Zoning Systems
- Optional faceplate colors (black, white, graphite)
- System Modes - Heat/Cool/Auto
- Fan Modes - On/Auto/Circulate
- Control up to eight (8) systems from any AZONE950 Thermostat (Requires on AZONE950 on each System and a Wireless Router)
- Easy to use Touch Screen Interface
- 7 Day Programmable - (manual or guided scheduling options)
- 1-Touch Pre-Sets for Home, Away, Sleep Settings
- Customizable Home Screen (Color, Information, Layout)
- 5 Day Weather Forecast, Local Radar Image & Weather Alerts (via Wireless Home Network)
- Weekly & Monthly System Run Time Monitor helps manage energy usage
- Allergy Clean & Quick Clean Indoor Air Cycles
- Built in Dual Fuel Economic Calculator.
- Digital Photo Album with Slide Show Screen Saver Option
- Embedded Diagnostics - (Alerts have time/date stamp with on screen probable causes)
- Heating Humidification Control
- Window Frost Control - Dew Point Control of Humidifier
- Cooling Dehumidification Control
- Smart Continuous Fan (disables Cont. Fan if RH is above setpoint)
- Adjustable Continuous Fan Airflow Settings (35 to 100%)
- Service Reminders - Filters, EAC, Humidifier, HVAC System, UV Lights
- Upgradeable Firmware via SD Card.
- PC Application provides wireless access & control within the home via wireless laptop. (Wireless Home Network required)
- Remote Access Option via Internet & Cell Phone (Schlage LiNK™ - Summer 2011)
- Keypad lock - Pin Code Option Security Options
- Dealer and System Information Screens
- Remote Indoor Temperature Sensor - (Wired or Wireless Options)
- Outdoor Temperature Sensor Option for 24 Volt systems
- Fahrenheit or Celsius Indoor Display Options
- 802.11 B/G - WLAN (wireless local area network) for weather feed and multi-system control)
- 802.15.4 - WPAN (wireless public area network) for use with wireless AccuLink™ Zone Sensors)

Dimensions:

- 7.3" width X 4.3" height X 1.2" depth

Storage Temperature:

- -40°F to 175°F, 5% to 95% RH non-condensing

Operating Temperature:

- 5°F to 130°F, 5% to 90% RH non-condensing

Optional front bezels for Platinum ZV thermostat:

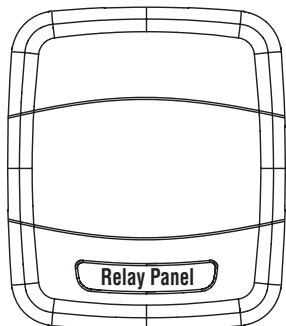
Graphite - AZGRA950ABEZEL

White - AZWHT950ABEZEL

Black - AZBLK950ABEZEL

COMING IN 2ND QUARTER

Conventional 24 Volt HVAC System Interface Relay Panel for AccuLink™ Platinum ZV Thermostat



BAY24VRPAC52DA

BAY24VRPAC52DA

- 5 Heat (Gas, Oil, Electric)/2 Cool/Heat Pump/Dual Fuel
- Optional remote indoor temperature connection point
- Optional outdoor temperature connection point
- LED stage indicators
- Removable low voltage terminal blocks for easy service and replacement.
- Humidifier Control

Dimensions:

- 8.0" width x 9.3" height x 1.9" depth

Storage Temperature:

- -40° to 175°F, 5% - 95% RH non-condensing

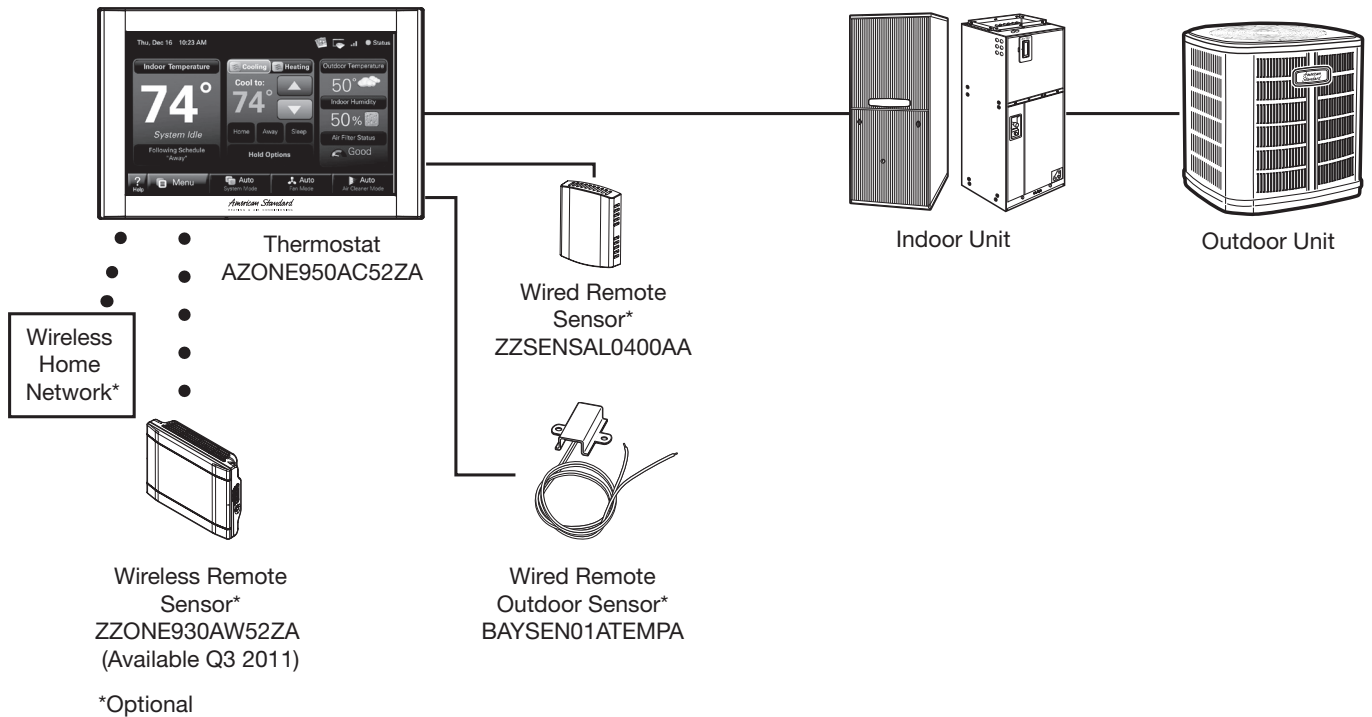
Operating Temperature:

- -40° to 150°F, 5% - 95% RH non-condensing

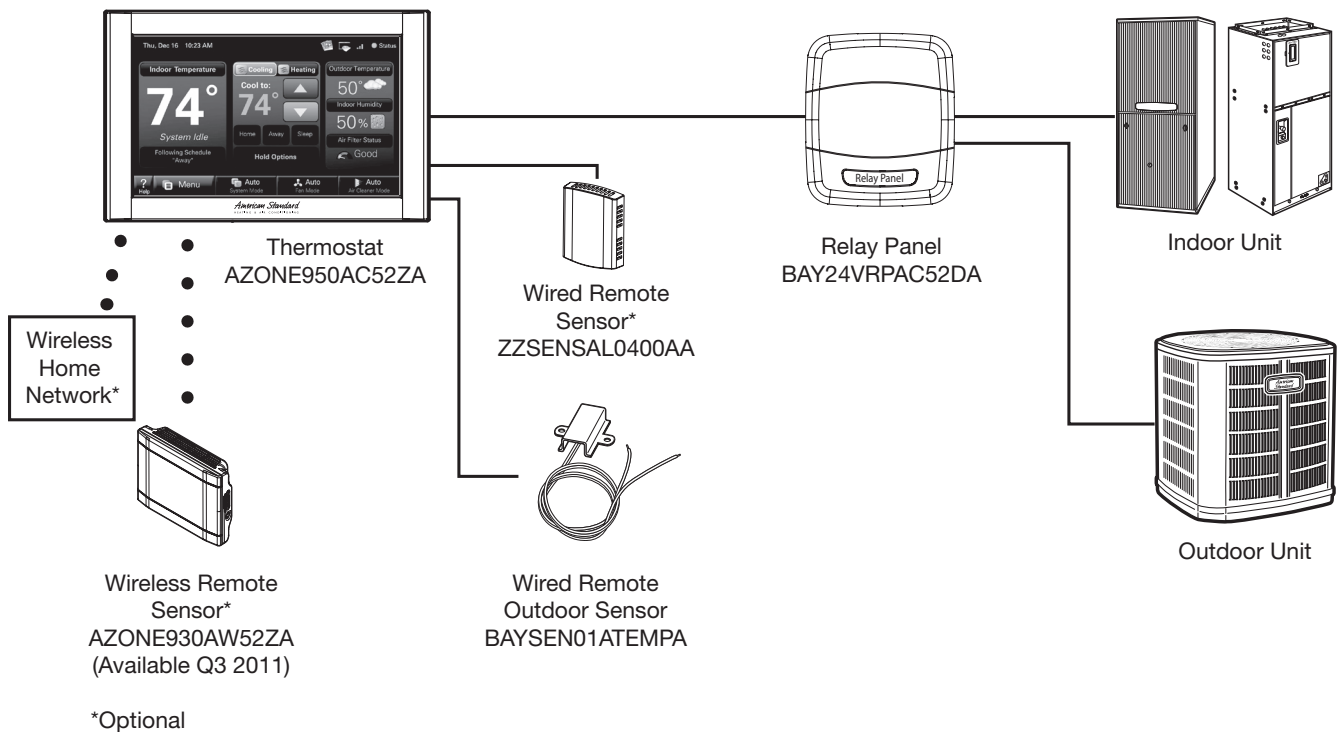
COMING IN 2ND QUARTER

AccuLink™ Thermostat Component Overview

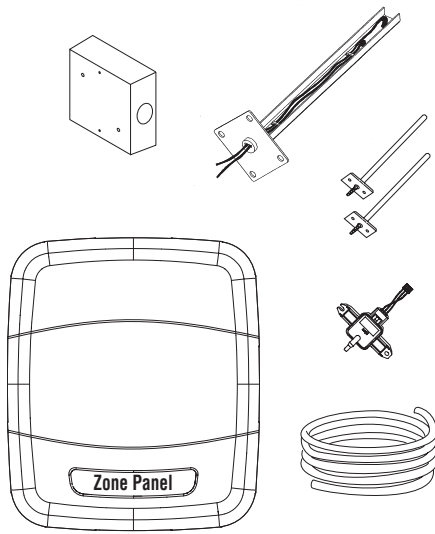
Communicating System



24V System



AccuLink™ Zoning Assembly



ZZONEPNLAC52ZA

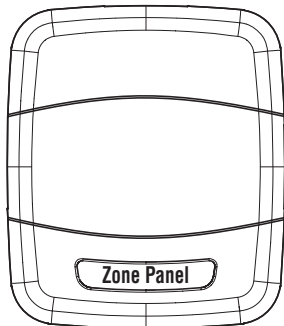
ZZONEPNLAC52ZA

Includes:

- Four Zone Communicating Zone Panel with Bypass Damper option, discharge air sensor, static pressure transducer and housing, supply & return air static probes and connecting tubing
- Automatically sets maximum CFM per zone and limits max static per zone
- Compatible with 24 Volt systems with the addition of 24 Volt relay panel
- Controls 24 Volt power open, power close modulating dampers
- Auto detects installed dampers and wired sensors

- Wired or wireless zone sensor options
- Adjustable damper motor travel times of 15 to 60 seconds
- Requires field supplied 24 volt power supply
- Up to eight 1.5 VA dampers can be wired in parallel to each zone
- Backlit LCD display for easy setup and service
- Optional return and mixed air sensors provide temperature rise and bypass temperatures
- Removable low voltage terminal blocks for easy service and replacement

AccuLink™ Zone Expander Panel (Required with more than 4 zones)



ZZONEEXPAC52ZA

ZZONEEXPAC52ZA*

- Expands the maximum number of zones per system to eight
- Controls 24 Volt power open, power close modulating dampers
- Auto detects installed dampers and wired sensors
- Wired or wireless zone sensor options
- Adjustable damper motor travel times of 15 to 60 seconds
- Requires field supplied 24 Volt power supply

Dimensions:

- 8.0" width x 9.3" height x 1.9" depth

Storage Temperature:

- -40° to 175°F, 5% to 95% RH non-condensing

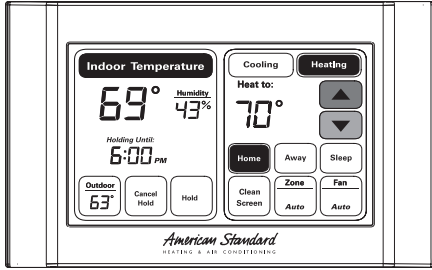
Operating Temperature:

- -40° to 150°F, 5% to 95% RH non-condensing

*This is the same Zone Panel that ships as part of the Zoning Assembly

COMING IN 3RD QUARTER

Wireless Zone Thermostat



AZONE940AW52ZA

- Compatible with AccuLink™ Zoning Systems
- 4.5" backlit touch screen display
- Optional faceplate colors (silver/black, black, white, graphite)
- Zone Mode - Heat/Cool/Auto
- Fan Mode - Auto/On
- Real Time Clock - automatically set from AZONE950
- Weekly Comfort Settings scheduled from AZONE950
- Zone Schedule Override - Permanent Hold and Hold Until function
- 1-Touch Pre-Sets For Home, Away, Sleep Settings
- 24V or AA lithium battery power options (3 yr battery life)
- Displays Zone Temperature & Relative Humidity.
- Displays Outdoor Temperature and Relative Humidity (if available on AZONE950)
- System Alert notification icon
- Low battery indicator - (3 months remaining)
- Clean Screen Function
- Keypad lock- enabled from AZONE950
- Fahrenheit or Celsius - enabled from AZONE950 (system level setting)
- 802.15.4 - WPAN (wireless public area network)
- Wireless range - 60 feet through three walls
- Wireless signal strength LEDs
- Loss of signal icon

Dimensions:

- 5.5" width x 3.4" height x 1.1" depth

Storage Temperature:

- -40°F to 170°F, 0% - 95% RH

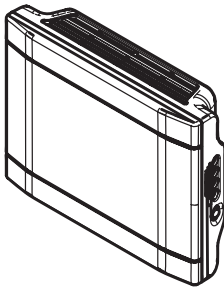
Operating Temperature:

- 32°F - 120°F, 5% - 90% RH non-condensing

Optional front bezels for AZONE950 zone thermostat:

- Graphite** - AZGRA940ABEZEL
- White** - AZWHT940ABEZEL
- Black** - AZBLK940ABEZEL

Wireless Zone Sensor



AZONE930AW52ZA

- Compatible with AccuLink™ Zoning Systems
- Senses temperature and humidity - (no display)
- 24V or AA lithium battery power options (3 yr battery life)
- Low battery LED indicator (3 months).
- Wireless signal strength LEDs
- 802.15.4 - WPAN (wireless public area network)
- Wireless range - 60 feet through three walls
- Optional Repeater Mode - functions as wireless repeater to increase signal
 - 115 volt/24 VAC wall transformer available through parts to power AZONE930 when used as a repeater - TRR02287

Dimensions:

- 3.6" width x 2.7" height x 0.9" depth

Storage Temperature:

- -40°F to 170°F, 0% - 95% RH

Operating Temperature:

- 32°F - 120°F, 5% - 90% RH non-condensing

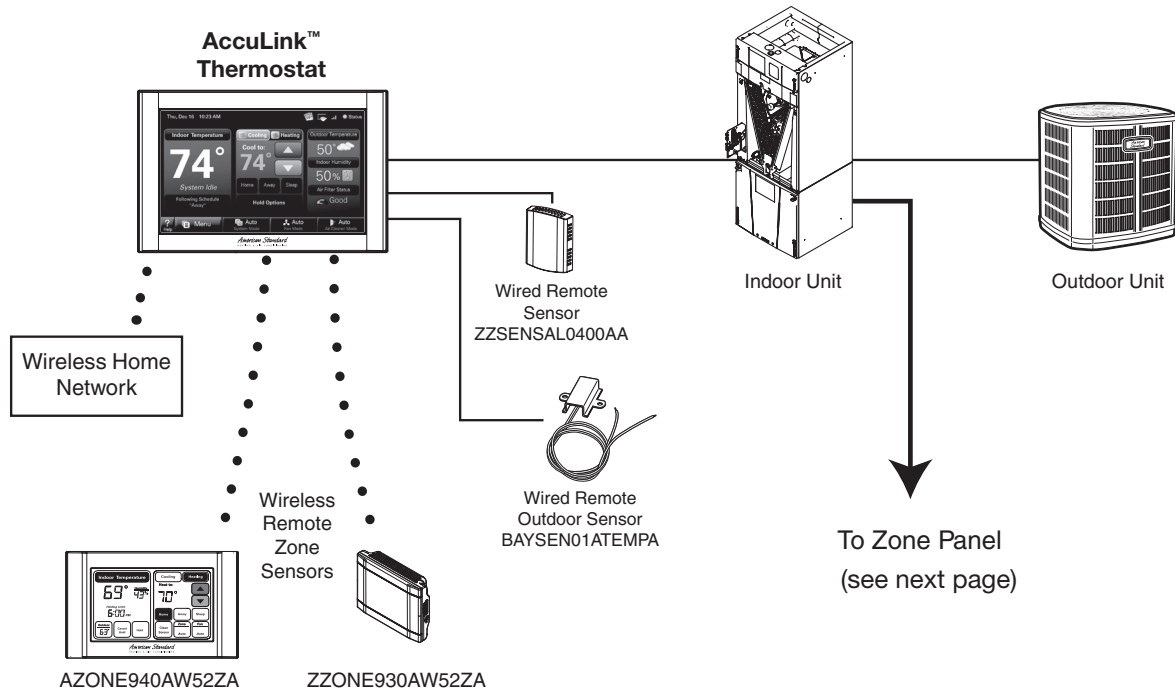
Operating Temperature:

- 32°F - 120°F, 5% - 90% RH non-condensing

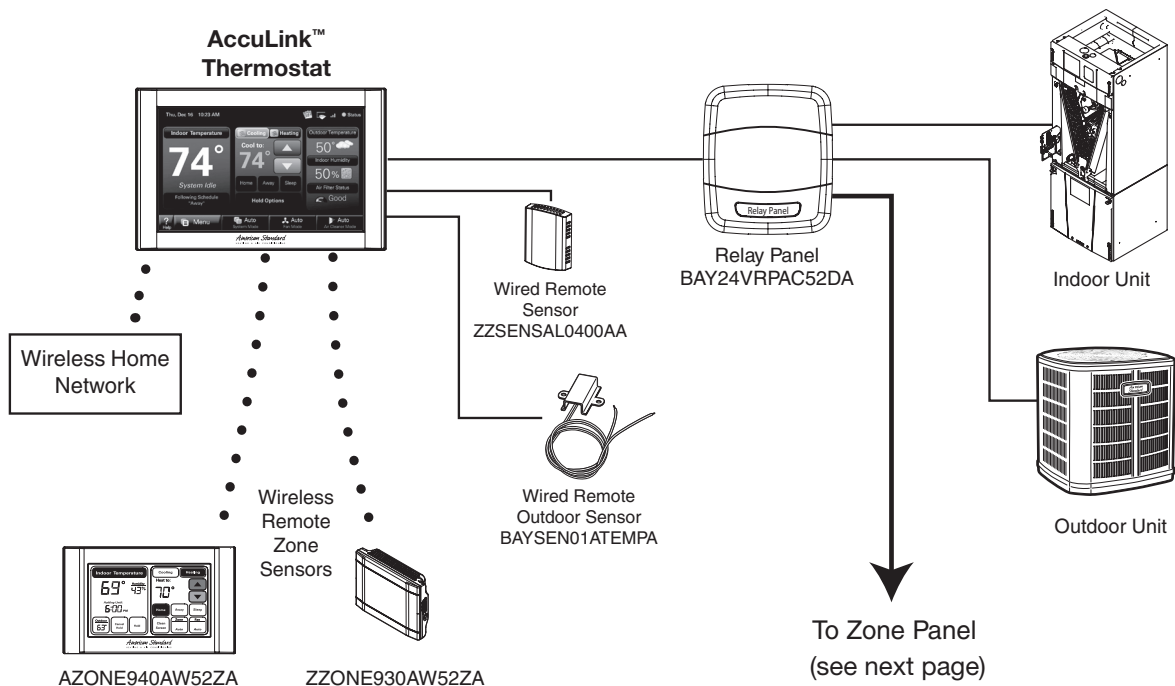
COMING IN 3RD QUARTER

AccuLink™ Zoning Component Overview

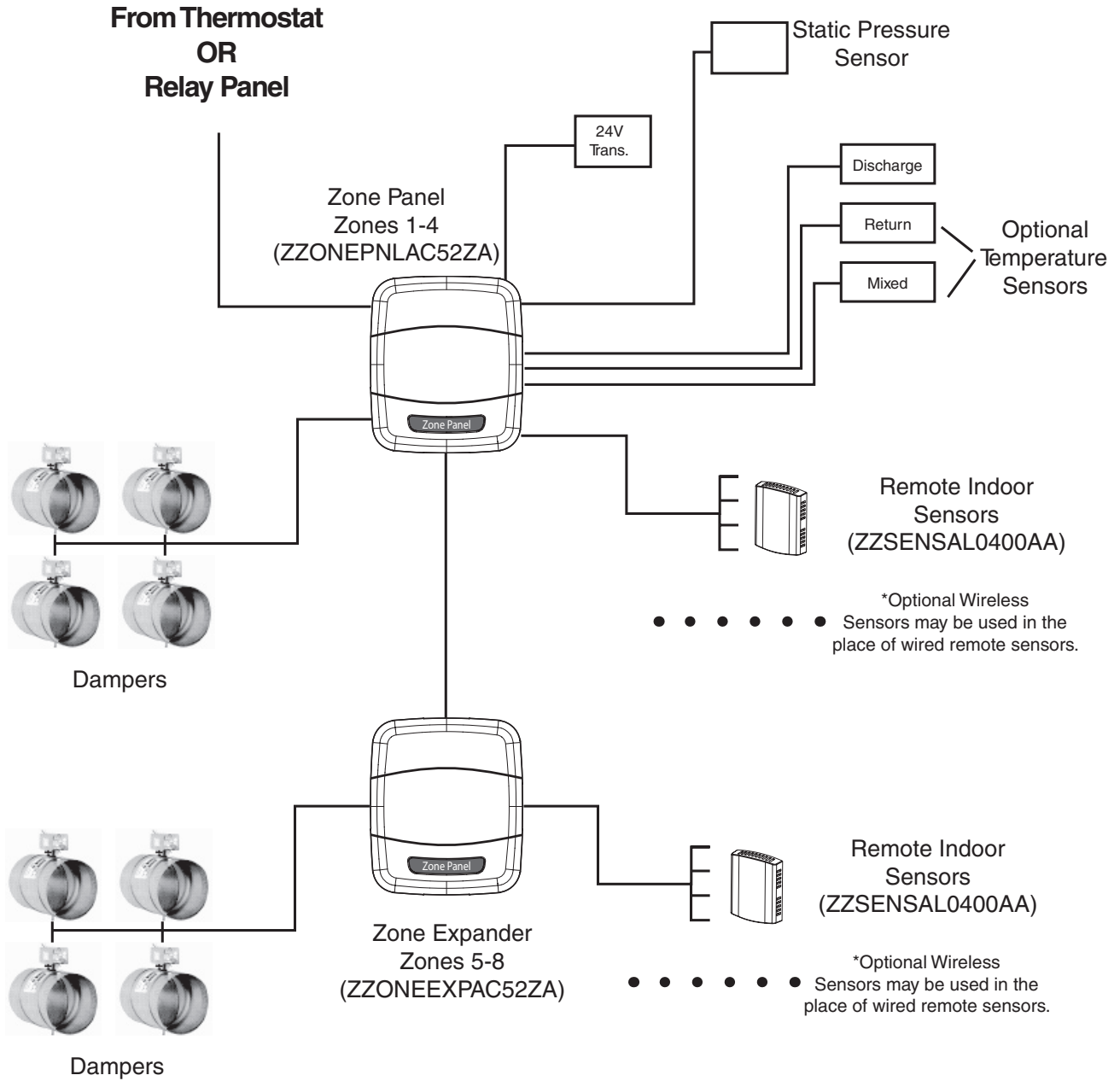
Zoned Communicating System



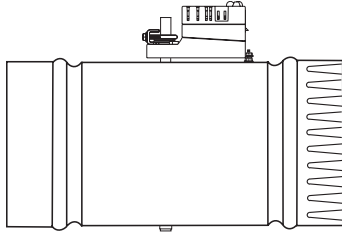
Zoned 24V System



AccuLink™ Zoning Component Overview (Cont.)



24 Volt Modulating Dampers



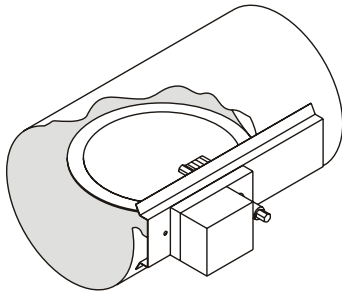
Round Dampers

Round Dampers

- 24 VAC Powered open/Powered closed
- 1.5 VA damper actuator with 60 second travel time
- 18 in. lbs. of torque
- Manual gear release
- Screw terminal blocks
- Flexible shutoff seal provides 98% closure

Table AL-8-A — Specifications: Round Dampers

Model Number	Power Supply	Description	Fits Round Duct Size
ZDAMPDMA0004A	24 VAC	Round	4"
ZDAMPDMA0006A	24 VAC	Round	6"
ZDAMPDMA0007A	24 VAC	Round	7"
ZDAMPDMA0008A	24 VAC	Round	8"
ZDAMPDMA0009A	24 VAC	Round	9"
ZDAMPDMA0010A	24 VAC	Round	10"
ZDAMPDMA0012A	24 VAC	Round	12"
ZDAMPDMA0014A	24 VAC	Round	14"
ZDAMPDMA0016A	24 VAC	Round	16"
ZDAMPDMA0018A	24 VAC	Round	18"
ZDAMPDMA0020A	24 VAC	Round	20"



Retro-Fit Round Dampers

Retro-Fit Round Dampers

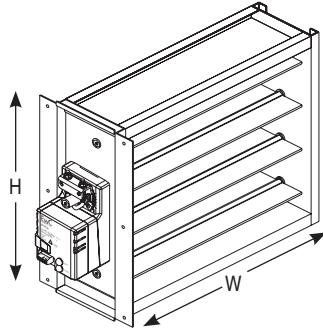
- 24 VAC Powered open/Powered closed
- Slip-In-Design installs quickly
- 1.5 VA damper actuator with 60 second travel time
- 18 in. lbs. of torque
- Manual gear release
- Screw terminal blocks
- Flexible shutoff seal provides 98% closure

Table AL-8-B — Specifications: Retrofit Round Dampers

Model Number	Power Supply	Description	Fits Round Duct Size
ZDAMPRRMA0004A	24 VAC	Retrofit Round	4"
ZDAMPRRMA0005A	24 VAC	Retrofit Round	5"
ZDAMPRRMA0006A	24 VAC	Retrofit Round	6"
ZDAMPRRMA0007A	24 VAC	Retrofit Round	7"
ZDAMPRRMA0008A	24 VAC	Retrofit Round	8"
ZDAMPRRMA0009A	24 VAC	Retrofit Round	9"
ZDAMPRRMA0010A	24 VAC	Retrofit Round	10"

COMING IN 3RD QUARTER

24 Volt Modulating Dampers - Side Mount



Rectangular Dampers with Side Mount Actuator

Rectangular Dampers with Side Mount Actuator

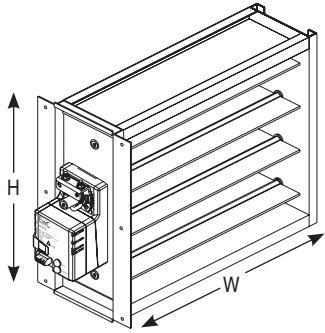
- 24 VAC Powered open/Powered closed
- 1.5 VA damper actuator with 60 second travel time
- 18 in. lbs. of torque
- Manual gear release
- Screw terminal blocks
- 97% leak proof rating
- Sturdy aluminum blades and frame
- Motor is always located on the second dimension of the model number, i.e. ZDAMP*MMA1012A will have the motor mounted on the 12" dimension

Table AL-9-A — Specifications: Rectangular Dampers with Side Mount Actuator

Model Number	Power Supply	Description	Uncrated Dimensions (in.)	
			W	H
ZDAMPSMMA0806A	24 VAC	Rectangular-Side Mount Actuator	8	6
ZDAMPSMMA0808A	24 VAC	Rectangular-Side Mount Actuator	8	8
ZDAMPSMMA1006A	24 VAC	Rectangular-Side Mount Actuator	10	6
ZDAMPSMMA1008A	24 VAC	Rectangular-Side Mount Actuator	10	8
ZDAMPSMMA1010A	24 VAC	Rectangular-Side Mount Actuator	10	10
ZDAMPSMMA1206A	24 VAC	Rectangular-Side Mount Actuator	12	6
ZDAMPSMMA1208A	24 VAC	Rectangular-Side Mount Actuator	12	8
ZDAMPSMMA1210A	24 VAC	Rectangular-Side Mount Actuator	12	10
ZDAMPSMMA1212A	24 VAC	Rectangular-Side Mount Actuator	12	12
ZDAMPSMMA1406A	24 VAC	Rectangular-Side Mount Actuator	14	6
ZDAMPSMMA1408A	24 VAC	Rectangular-Side Mount Actuator	14	8
ZDAMPSMMA1410A	24 VAC	Rectangular-Side Mount Actuator	14	10
ZDAMPSMMA1412A	24 VAC	Rectangular-Side Mount Actuator	14	12
ZDAMPSMMA1414A	24 VAC	Rectangular-Side Mount Actuator	14	14
ZDAMPSMMA1606A	24 VAC	Rectangular-Side Mount Actuator	16	6
ZDAMPSMMA1608A	24 VAC	Rectangular-Side Mount Actuator	16	8
ZDAMPSMMA1610A	24 VAC	Rectangular-Side Mount Actuator	16	10
ZDAMPSMMA1612A	24 VAC	Rectangular-Side Mount Actuator	16	12
ZDAMPSMMA1614A	24 VAC	Rectangular-Side Mount Actuator	16	14
ZDAMPSMMA1616A	24 VAC	Rectangular-Side Mount Actuator	16	16
ZDAMPSMMA1806A	24 VAC	Rectangular-Side Mount Actuator	18	6
ZDAMPSMMA1808A	24 VAC	Rectangular-Side Mount Actuator	18	8
ZDAMPSMMA1810A	24 VAC	Rectangular-Side Mount Actuator	18	10
ZDAMPSMMA1812A	24 VAC	Rectangular-Side Mount Actuator	18	12
ZDAMPSMMA1814A	24 VAC	Rectangular-Side Mount Actuator	18	14
ZDAMPSMMA1816A	24 VAC	Rectangular-Side Mount Actuator	18	16
ZDAMPSMMA1818A	24 VAC	Rectangular-Side Mount Actuator	18	18
ZDAMPSMMA2006A	24 VAC	Rectangular-Side Mount Actuator	20	6
ZDAMPSMMA2008A	24 VAC	Rectangular-Side Mount Actuator	20	8
ZDAMPSMMA2010A	24 VAC	Rectangular-Side Mount Actuator	20	10
ZDAMPSMMA2012A	24 VAC	Rectangular-Side Mount Actuator	20	12
ZDAMPSMMA2014A	24 VAC	Rectangular-Side Mount Actuator	20	14
ZDAMPSMMA2016A	24 VAC	Rectangular-Side Mount Actuator	20	16
ZDAMPSMMA2018A	24 VAC	Rectangular-Side Mount Actuator	20	18
ZDAMPSMMA2020A	24 VAC	Rectangular-Side Mount Actuator	20	20

COMING IN 3RD QUARTER

24 Volt Modulating Dampers - Side Mount



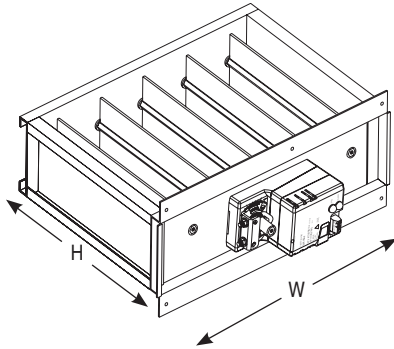
Rectangular Dampers with Side Mount Actuator

Table AL-10-A — Specifications: Rectangular Dampers with Side Mount Actuator (continued)

Model Number	Power Supply	Description	Uncrated Dimensions (in.)	
			W	H
ZDAMPSMMA2206A	24 VAC	Rectangular-Side Mount Actuator	22	6
ZDAMPSMMA2208A	24 VAC	Rectangular-Side Mount Actuator	22	8
ZDAMPSMMA2210A	24 VAC	Rectangular-Side Mount Actuator	22	10
ZDAMPSMMA2212A	24 VAC	Rectangular-Side Mount Actuator	22	12
ZDAMPSMMA2214A	24 VAC	Rectangular-Side Mount Actuator	22	14
ZDAMPSMMA2216A	24 VAC	Rectangular-Side Mount Actuator	22	16
ZDAMPSMMA2218A	24 VAC	Rectangular-Side Mount Actuator	22	18
ZDAMPSMMA2220A	24 VAC	Rectangular-Side Mount Actuator	22	20
ZDAMPSMMA2222A	24 VAC	Rectangular-Side Mount Actuator	22	22
ZDAMPSMMA2406A	24 VAC	Rectangular-Side Mount Actuator	24	6
ZDAMPSMMA2408A	24 VAC	Rectangular-Side Mount Actuator	24	8
ZDAMPSMMA2410A	24 VAC	Rectangular-Side Mount Actuator	24	10
ZDAMPSMMA2412A	24 VAC	Rectangular-Side Mount Actuator	24	12
ZDAMPSMMA2414A	24 VAC	Rectangular-Side Mount Actuator	24	14
ZDAMPSMMA2416A	24 VAC	Rectangular-Side Mount Actuator	24	16
ZDAMPSMMA2418A	24 VAC	Rectangular-Side Mount Actuator	24	18
ZDAMPSMMA2420A	24 VAC	Rectangular-Side Mount Actuator	24	20
ZDAMPSMMA2422A	24 VAC	Rectangular-Side Mount Actuator	24	22
ZDAMPSMMA2424A	24 VAC	Rectangular-Side Mount Actuator	24	24
ZDAMPSMMA2606A	24 VAC	Rectangular-Side Mount Actuator	26	6
ZDAMPSMMA2608A	24 VAC	Rectangular-Side Mount Actuator	26	8
ZDAMPSMMA2610A	24 VAC	Rectangular-Side Mount Actuator	26	10
ZDAMPSMMA2612A	24 VAC	Rectangular-Side Mount Actuator	26	12
ZDAMPSMMA2614A	24 VAC	Rectangular-Side Mount Actuator	26	14
ZDAMPSMMA2616A	24 VAC	Rectangular-Side Mount Actuator	26	16
ZDAMPSMMA2618A	24 VAC	Rectangular-Side Mount Actuator	26	18
ZDAMPSMMA2620A	24 VAC	Rectangular-Side Mount Actuator	26	20
ZDAMPSMMA2622A	24 VAC	Rectangular-Side Mount Actuator	26	22
ZDAMPSMMA2624A	24 VAC	Rectangular-Side Mount Actuator	26	24
ZDAMPSMMA2626A	24 VAC	Rectangular-Side Mount Actuator	26	26
ZDAMPSMMA2806A	24 VAC	Rectangular-Side Mount Actuator	28	6
ZDAMPSMMA2808A	24 VAC	Rectangular-Side Mount Actuator	28	8
ZDAMPSMMA2810A	24 VAC	Rectangular-Side Mount Actuator	28	10
ZDAMPSMMA2812A	24 VAC	Rectangular-Side Mount Actuator	28	12
ZDAMPSMMA2814A	24 VAC	Rectangular-Side Mount Actuator	28	14
ZDAMPSMMA2816A	24 VAC	Rectangular-Side Mount Actuator	28	16
ZDAMPSMMA2818A	24 VAC	Rectangular-Side Mount Actuator	28	18
ZDAMPSMMA2820A	24 VAC	Rectangular-Side Mount Actuator	28	20
ZDAMPSMMA2822A	24 VAC	Rectangular-Side Mount Actuator	28	22
ZDAMPSMMA2824A	24 VAC	Rectangular-Side Mount Actuator	28	24
ZDAMPSMMA2826A	24 VAC	Rectangular-Side Mount Actuator	28	26
ZDAMPSMMA2828A	24 VAC	Rectangular-Side Mount Actuator	28	28
ZDAMPSMMA3006A	24 VAC	Rectangular-Side Mount Actuator	28	6
ZDAMPSMMA3008A	24 VAC	Rectangular-Side Mount Actuator	28	8
ZDAMPSMMA3010A	24 VAC	Rectangular-Side Mount Actuator	28	10
ZDAMPSMMA3012A	24 VAC	Rectangular-Side Mount Actuator	28	12
ZDAMPSMMA3014A	24 VAC	Rectangular-Side Mount Actuator	28	14
ZDAMPSMMA3016A	24 VAC	Rectangular-Side Mount Actuator	28	16
ZDAMPSMMA3018A	24 VAC	Rectangular-Side Mount Actuator	28	18
ZDAMPSMMA3020A	24 VAC	Rectangular-Side Mount Actuator	28	20
ZDAMPSMMA3022A	24 VAC	Rectangular-Side Mount Actuator	28	22
ZDAMPSMMA3024A	24 VAC	Rectangular-Side Mount Actuator	28	24
ZDAMPSMMA3026A	24 VAC	Rectangular-Side Mount Actuator	28	26
ZDAMPSMMA3028A	24 VAC	Rectangular-Side Mount Actuator	28	28
ZDAMPSMMA3030A	24 VAC	Rectangular-Side Mount Actuator	28	30

COMING IN 3RD QUARTER

24 Volt Modulating Dampers - Bottom Mount



Rectangular Dampers with Bottom Mount Actuator

Rectangular Dampers with Bottom Mount Actuator

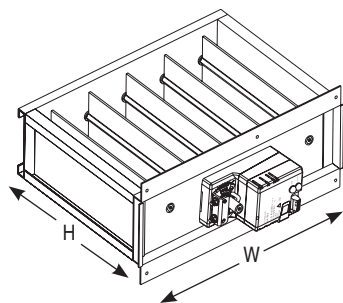
- 24 VAC Powered open/Powered closed
- 1.5 VA damper actuator with 60 second travel time
- 18 in. lbs. of torque
- Manual gear release
- Screw terminal blocks
- 97% leak proof rating
- Sturdy aluminum blades and frame
- Motor is always located on the second dimension of the model number, i.e ZDAMP*MMA1012A will have the motor mounted on the 12" dimension

Table AL-11-A — Specifications: Rectangular Dampers with Bottom Mount Actuator

Model Number	Power Supply	Description	Uncrated Dimensions (in.)	
			H	W
ZDAMPBMMMA0810A	24 VAC	Rectangular-Bottom Mount Actuator	8	10
ZDAMPBMMMA0812A	24 VAC	Rectangular-Bottom Mount Actuator	8	12
ZDAMPBMMMA0814A	24 VAC	Rectangular-Bottom Mount Actuator	8	14
ZDAMPBMMMA0816A	24 VAC	Rectangular-Bottom Mount Actuator	8	16
ZDAMPBMMMA0818A	24 VAC	Rectangular-Bottom Mount Actuator	8	18
ZDAMPBMMMA0820A	24 VAC	Rectangular-Bottom Mount Actuator	8	20
ZDAMPBMMMA0822A	24 VAC	Rectangular-Bottom Mount Actuator	8	22
ZDAMPBMMMA0824A	24 VAC	Rectangular-Bottom Mount Actuator	8	24
ZDAMPBMMMA0826A	24 VAC	Rectangular-Bottom Mount Actuator	8	26
ZDAMPBMMMA0828A	24 VAC	Rectangular-Bottom Mount Actuator	8	28
ZDAMPBMMMA0830A	24 VAC	Rectangular-Bottom Mount Actuator	8	30
ZDAMPBMMMA1012A	24 VAC	Rectangular-Bottom Mount Actuator	10	12
ZDAMPBMMMA1014A	24 VAC	Rectangular-Bottom Mount Actuator	10	14
ZDAMPBMMMA1016A	24 VAC	Rectangular-Bottom Mount Actuator	10	16
ZDAMPBMMMA1018A	24 VAC	Rectangular-Bottom Mount Actuator	10	18
ZDAMPBMMMA1020A	24 VAC	Rectangular-Bottom Mount Actuator	10	20
ZDAMPBMMMA1022A	24 VAC	Rectangular-Bottom Mount Actuator	10	22
ZDAMPBMMMA1024A	24 VAC	Rectangular-Bottom Mount Actuator	10	24
ZDAMPBMMMA1026A	24 VAC	Rectangular-Bottom Mount Actuator	10	26
ZDAMPBMMMA1028A	24 VAC	Rectangular-Bottom Mount Actuator	10	28
ZDAMPBMMMA1030A	24 VAC	Rectangular-Bottom Mount Actuator	10	30
ZDAMPBMMMA1214A	24 VAC	Rectangular-Bottom Mount Actuator	12	14
ZDAMPBMMMA1216A	24 VAC	Rectangular-Bottom Mount Actuator	12	16
ZDAMPBMMMA1218A	24 VAC	Rectangular-Bottom Mount Actuator	12	18
ZDAMPBMMMA1220A	24 VAC	Rectangular-Bottom Mount Actuator	12	20
ZDAMPBMMMA1222A	24 VAC	Rectangular-Bottom Mount Actuator	12	22
ZDAMPBMMMA1224A	24 VAC	Rectangular-Bottom Mount Actuator	12	24
ZDAMPBMMMA1226A	24 VAC	Rectangular-Bottom Mount Actuator	12	26
ZDAMPBMMMA1228A	24 VAC	Rectangular-Bottom Mount Actuator	12	28
ZDAMPBMMMA1230A	24 VAC	Rectangular-Bottom Mount Actuator	12	30
ZDAMPBMMMA1416A	24 VAC	Rectangular-Bottom Mount Actuator	14	16
ZDAMPBMMMA1418A	24 VAC	Rectangular-Bottom Mount Actuator	14	18
ZDAMPBMMMA1420A	24 VAC	Rectangular-Bottom Mount Actuator	14	20
ZDAMPBMMMA1422A	24 VAC	Rectangular-Bottom Mount Actuator	14	22
ZDAMPBMMMA1424A	24 VAC	Rectangular-Bottom Mount Actuator	14	24
ZDAMPBMMMA1426A	24 VAC	Rectangular-Bottom Mount Actuator	14	26
ZDAMPBMMMA1428A	24 VAC	Rectangular-Bottom Mount Actuator	14	28
ZDAMPBMMMA1430A	24 VAC	Rectangular-Bottom Mount Actuator	14	30

COMING IN 3RD QUARTER

24 Volt Modulating Dampers - Bottom Mount



**Rectangular Dampers
with Bottom
Mount Actuator**

Table AL-12-A — Specifications: Rectangular Dampers with Bottom Mount Actuator (continued)

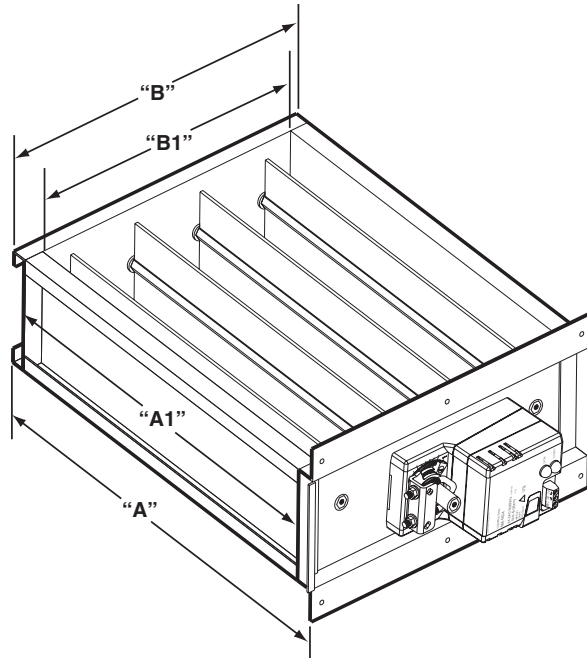
Model Number	Power Supply	Description	Uncrated Dimensions (in.)	
			H	W
ZDAMPBMMMA1618A	24 VAC	Rectangular-Bottom Mount Actuator	16	18
ZDAMPBMMMA1620A	24 VAC	Rectangular-Bottom Mount Actuator	16	20
ZDAMPBMMMA1622A	24 VAC	Rectangular-Bottom Mount Actuator	16	22
ZDAMPBMMMA1624A	24 VAC	Rectangular-Bottom Mount Actuator	16	24
ZDAMPBMMMA1626A	24 VAC	Rectangular-Bottom Mount Actuator	16	26
ZDAMPBMMMA1628A	24 VAC	Rectangular-Bottom Mount Actuator	16	28
ZDAMPBMMMA1630A	24 VAC	Rectangular-Bottom Mount Actuator	16	30
ZDAMPBMMMA1820A	24 VAC	Rectangular-Bottom Mount Actuator	18	20
ZDAMPBMMMA1822A	24 VAC	Rectangular-Bottom Mount Actuator	18	22
ZDAMPBMMMA1824A	24 VAC	Rectangular-Bottom Mount Actuator	18	24
ZDAMPBMMMA1826A	24 VAC	Rectangular-Bottom Mount Actuator	18	26
ZDAMPBMMMA2022A	24 VAC	Rectangular-Bottom Mount Actuator	20	22
ZDAMPBMMMA2024A	24 VAC	Rectangular-Bottom Mount Actuator	20	24

COMING IN 3RD QUARTER

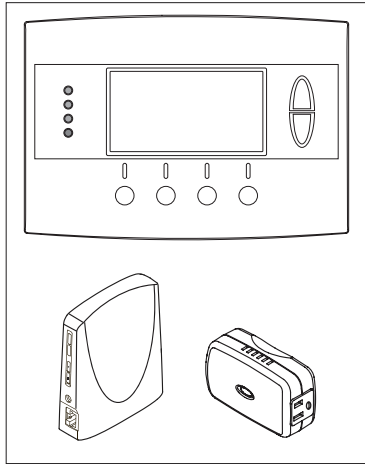
24 Volt Modulating Dampers

Table AL-13-A — Rectangular Damper Net Free Area

Listed Size	Actual Outside Size	Actual Inside Size	8	10	12	14	16	18	20	22	24	26	28	30	Listed Size	High
			7.813	9.813	11.813	13.813	15.813	17.813	19.813	21.813	23.813	25.813	27.813	29.813	Act. Outside Size B	
			5.813	7.813	9.813	11.813	13.813	15.813	17.813	19.813	21.813	23.813	25.813	27.813	Act. Inside Size B1	
Wide	A	A1	3	3	4	5	6	7	7	8	9	10	11	11	No. of Blades	
6	5.812	4.313	19.5	28.1	34.9	41.6	48.6	55.1	63.8	70.5	77.3	84.0	90.8	99.4		
8	7.812	6.313	28.5	41.1	51.0	60.9	70.8	80.7	93.3	103.2	113.1	123.0	132.9	145.5		
10	9.812	8.313	37.5	54.2	67.2	80.2	93.2	106.3	122.9	135.9	148.9	162.0	175.0	191.6		
12	11.812	10.313	46.5	67.2	83.3	99.5	115.7	131.8	152.5	168.6	184.8	200.9	217.1	237.7		
14	13.812	12.313	55.6	80.2	99.5	118.8	138.1	157.4	182.0	201.3	220.6	239.9	259.2	283.8		
16	15.812	14.313	64.6	93.2	115.7	138.1	160.5	183.0	211.6	234.0	256.4	278.9	301.3	329.9		
18	17.812	16.313	73.6	106.3	131.8	157.4	183.0	208.5	241.1	266.7	292.3	317.8	343.4	376.0		
20	19.812	18.313	82.7	119.3	148.0	176.7	205.4	234.1	270.7	299.4	328.1	356.8	385.5	422.1		
22	21.812	20.313	91.7	132.3	164.2	196.0	227.8	259.6	300.3	332.1	363.9	395.8	427.6	468.2		
24	23.812	22.313	100.7	145.4	180.3	215.3	250.2	285.2	329.8	364.8	399.8	435.2	469.7	514.3		
26	25.812	24.313	109.8	158.4	196.5	234.6	272.7	310.8	359.4	397.5	435.6	473.7	511.8	560.4		
28	27.812	26.313	118.8	171.4	212.6	253.9	295.1	336.3	389.0	430.2	471.4	512.7	553.8	606.5		
30	29.812	28.313	127.8	184.4	228.8	273.2	317.5	361.9	418.5	462.9	507.3	551.6	596.0	652.6		



AccuLink™ Remote Thermostat



AZTSK500AB32MA

AZTSK500AB32MA

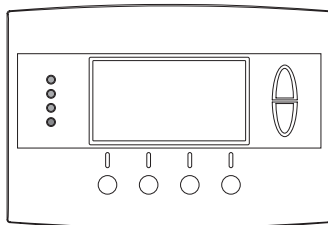
- AccuLink™ Remote Thermostat Kit
- Includes AZEMT500AB32MA thermostat, Schlage Bridge and RP100BX appliance module
- Remote access to thermostat from computers connected to internet and compatible web enabled mobile devices including Android™, Blackberry™, iPhone™ and many other web enabled phones.
- Air conditioning and heating energy management
- Easy Installation and Set-Up
- Expandable for home management

Application:

- 3 Heat/2 Cool for Heat Pump
- 2 Heat/2 Cool for Gas Electric
See AZEMT500AB32MA for details
- Use with AZEMT500AB32MA or AZEMT500BB32MA thermostat
- Use with additional RP200R light modules and RP100BX Appliance Modules
- Use with Schlage LiNK Deadbolt and Lever Locks
- Up to 231 devices may be wirelessly connected to one Schlage Bridge

Dimensions:

- Thermostat: 5.7" W x 4.0" H x 1.2" D
LCD display 2.75" W x 1.5" H
- Shipping Weight: 2.35 lbs.



AZEMT500AB32MA

AZEMT500AB32MAA

- American Standard AccuLink™ Remote Thermostat
- 24 Vac, Z Wave enabled thermostat
- Compatible with Schlage LiNK
- 7 day programmable, 4 schedules per day, may be scheduled from web or thermostat
- Remotely adjust thermostat and view temperature from computers connected to internet and compatible web enabled mobile devices including Android™, Blackberry™, iPhone™ and many other web enabled phones
- Thermostat Recovery
- Remote Sensing
- Filter service reminder alert
- Maintenance reminder alert
- Out of Range Temperature alert
- Keypad tamper alert
- Alerts may be sent by e-mail and/or text to mobile device
- Limited Five Year Parts Warranty

Application:

- 3 Heat/2 Cool for Heat Pump
- 2 Heat/2 Cool for Gas Electric
- 7 day programmable, 4 schedules per day
- Used with Schlage Bridge, included in AZTSK500AB32MA thermostat kit

Compatible Systems

- Gas/Oil Furnace
 - Air Handler/Electric Furnace
 - Heat Pump systems
 - Cooling systems
- May be Compatible**
- Conventional Boilers
 - Geothermal
 - 24 Vac Forced Air Multi Zone Systems

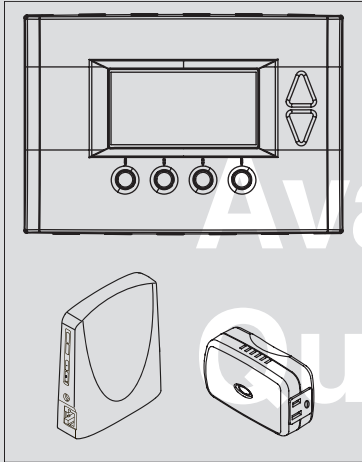
Not Compatible

- Radiant Floor
- Wall Heating systems
- Proprietary Communicating Systems

Dimensions:

- 5.7" W x 4.0" H x 1.2" D
- LCD display 2.75" W x 1.5" H
- Shipping Weight: 1 lb.

AccuLink™ Remote Thermostat



AZTSK500BB32MA

AZTSK500BB32MA

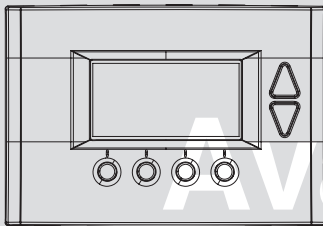
- American Standard AccuLink™ Remote Thermostat Kit
- Includes AZEMT500BB32MA thermostat, Schlage Bridge and RP100BX appliance module
- Remote access to thermostat from computers connected to internet and compatible web enabled mobile devices including Android™, Blackberry™, iPhone™ and many other web enabled phones
- Air conditioning and heating energy management
- Easy Installation and Set-Up
- Expandable for home management

Application:

- 3 Heat/2 Cool for Heat Pump
- 2 Heat/2 Cool for Gas Electric
See AZEMT500BB32MA for details
- Use with AZEMT500AB32MA or AZEMT500BB32MA thermostat
- Use with additional RP200R light module and RP100BX Appliance Module
- Use with Schlage LiNK Deadbolt and Lever Locks
- Up to 231 devices may be wirelessly connected to one Schlage Bridge

Dimensions:

- Thermostat: 5.7" W x 4.0" H x 1.2" D
- LCD display 2.75" W x 1.5" H
- Shipping Weight: 2.35 lbs.



AZEMT500BB32MAA

AZEMT500BB32MAA

- 24 Vac, Z Wave enabled thermostat
- Compatible with Schlage LiNK
- 7 day programmable, 4 schedules per day, may be scheduled from web or thermostat
- Remotely adjust thermostat and view temperature from computers connected to internet and compatible web enabled mobile devices including Android™, Blackberry™, iPhone™ and many other web enabled phones
- Thermostat Recovery
- Remote Sensing
- Dual Fuel control capable
- Built in humidity sensor
- Dehumidification control
- Enhanced dehumidification with variable speed indoor products
- Filter service reminder alert
- Maintenance reminder alert
- Out of Range Temperature alert
- Keypad tamper alert
- Alerts may be sent by e-mail and/or text to mobile device
- Limited Five Year Parts Warranty

Application:

- 3 Heat/2 Cool for Heat Pump
- 2 Heat/2 Cool for Gas Electric
- 7 day programmable, 4 schedules per day
- Used with Schlage Bridge, included in AZTSK500BB32MA kit

Compatible Systems

- Gas/Oil Furnace
- Air Handler/Electric Furnace
- Heat Pump systems
- Cooling systems

May be Compatible

- Conventional Boilers
- Geothermal
- 24 Vac Forced Air Multi Zone Systems

Not Compatible

- Radiant Floor
- Wall Heating systems
- Proprietary Communicating Systems

Dimensions:

- 5.7" W x 4.0" H x 1.2" D
- LCD display 2.75" W x 1.5" H
- Shipping Weight: 1 lb.

Schlage LiNK™ Accessories



RP200R

RP200R

- Signal Repeater and Dimmer Light Module
- Used to control and dim plug-in incandescent lighting

Application:

- Use with Schlage Bridge (included in AZTSK500AB32MA and AZTSK500BB32MA kits)
- Max load both outlets = 15 Amps, 1800 Watt resistive
- Max load Z Wave controlled outlet = 300 Watts incandescent only
- Shipping Weight: 1 lb.



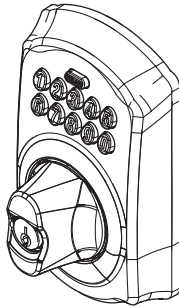
RP100BX

RP100BX

- Signal Repeater and Appliance Module
- Used to control small appliances and plug-in incandescent, fluorescent, and LED lighting. On/Off control
- May be used to control/reduce standby loss from plug-in power supplies and small electronic loads

Application:

- Use with Schlage Bridge (included in AZTSK500AB32MA and AZTSK500BB32MA kits)
- Max load both outlets = 15 Amps, 1800 Watt resistive
- Max load Z Wave controlled outlet = 600 Watts incandescent, 1/2 HP, 1800 Watt resistive
- Shipping Weight: 1 lb.



BAY369BBADBBEA
BAY369SNADBBEA
BAY369ABADBBEA

BAY369 (Deadbolt)

- Schlage wireless locks can be added to the Z-Wave network within your home
- Remotely lock or unlock the door from computers connected to internet and compatible web enabled mobile devices including Android™, Blackberry™, iPhone™ and many other web enabled phones
- Confirm lock status from internet enabled computer or web enabled mobile device
- Assign up to 19 personalized 4 digit codes for each member of your household
- Up to 3 year battery life
- Provides battery level status at the lock and on the web
- Available in 3 finishes: Bright Brass, Satin Nickel, Aged Bronze
- Class 2 rated door lock
- Lifetime limited mechanical and finish warranty
- 1-year limited electronics warranty

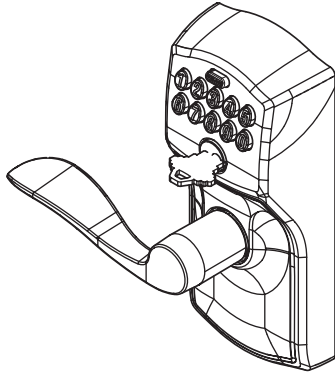
Model number and finish:

- BAY369BBADBBEA - Bright Brass
- BAY369SNADBBEA - Satin Nickel
- BAY369ABADBBEA - Aged Bronze

Application:

- Use with Schlage Bridge (included in AZTSK500AB32MA and AZTSK500BB32MA kits)
- Carton Size: 5.75" x 7.93" x 8.5"
- Shipping Weight: 6 lbs.

Schlage LiNK™ Accessories



BAY599BALLBEA
BAY599SNALLBEA
BAY599ABALLBEA

BAY599 (Lever Lock)

- Schlage wireless locks can be added to a the Z-Wave network within your home
- Remotely lock or unlock the door from computers connected to internet and compatible web enabled mobile devices including Android™, Blackberry™, iPhone™ and many other web enabled phones
- Confirm lock status from internet enabled computer or web enabled mobile device
- Assign up to 19 personalized 4 digit codes for each member of your household
- Up to 3 year battery life
- Provides battery level status at the lock and on the web
- Available in 3 finishes: Bright Brass, Satin Nickel, Aged Bronze
- Class 2 rated door lock
- Lifetime limited mechanical and finish warranty
- 1-year limited electronics warranty

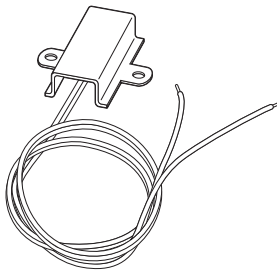
Model number and finish:

- BAY599BALLBEA - Bright Brass
- BAY599SNALLBEA - Satin Nickel
- BAY599ABALLBEA - Aged Bronze

Application:

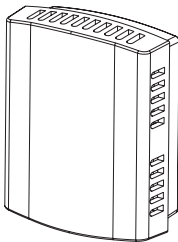
- Use with Schlage Bridge (included in AZTSK500AB32MA and AZTSK500BB32MA kits)
- Carton Size: 6" x 7.75" x 9.56"
- Shipping Weight: 5.5 lbs.

Remote Sensors



BAYSEN01ATEMPA

- Outdoor Temperature Sensor for Use with AZEMT500AB or AZEMT500BB Thermostats
- Accuracy
+/- 1.5°F over 32°F to 100°F
- Display Range
-40°F to 140°F



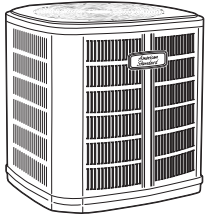
ZZSENSAL0400AA

- Indoor Sensor for Use with AZEMT500AB or AZEMT500BB Thermostats
- Operating Ambient Temperature Range: 20° to 120°F (-6.7° to 48.9°C)
- Display Range: 20° to 120°F (-6.7° to 48.9°C)
- Sensor Accuracy: +/- .5°F at 75°F
- Operating Relative Humidity: 5% to 90% non-condensing

Dimensions in in. (mm):

- 1.54 (39)w x 1.93 (49)h x .625 (1.6)d
- Storage Temperature: -40° to 140°F (-40° to 60°C)
- Finish: White

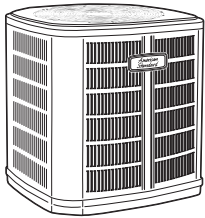
Split System Cooling Single Phase – 1½-5 Tons



Allegiance 20 (4A7Z0)

Table SC-1-A — Allegiance 20 R-410A Split System Cooling — Single Phase with AccuLink™^{①②③}

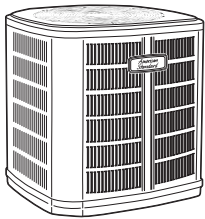
Model Number	Power Supply	Nom. Cap. Cooling (BTUH)	Uncrated Dimensions(in.)			Shipping Weight (lbs.)	Sound** Rating	MCA*	Max. Fuse*	Line Size	
			H	W	D					OD Gas	OD Liq.
4A7Z0024A1000A	200/230/1/60	24,000	45	37	34	375	68	14	20	5/8	3/8
4A7Z0036A1000A	200/230/1/60	36,000	45	37	34	375	72	19	30	3/4	3/8
4A7Z0048A1000A	200/230/1/60	48,000	45	37	34	460	76	26	40	7/8	3/8
4A7Z0060A1000A	200/230/1/60	60,000	45	37	34	460	76	31	50	7/8	3/8



Allegiance 16 (4A7A6)

Table SC-1-B — Allegiance 16 R-410A Split System Cooling

Model Number	Power Supply	Nom. Cap. Cooling (BTUH)	Uncrated Dimensions(in.)			Shipping Weight (lbs.)	Sound** Rating	MCA*	Max. Fuse*	Line Size (in)	
			H	W	D					OD Gas	OD Liq.
4A7A6024E1000A	230/1/60	24,000	41	37	34	276	72	14	20	5/8	3/8
4A7A6036E1000A	230/1/60	36,000	45	37	34	283	72	22	35	3/4	3/8
4A7A6048E1000A	230/1/60	48,000	45	37	34	308	73	29	50	7/8	3/8
4A7A6060E1000A	230/1/60	60,000	45	37	34	312	74	39	60	1 1/8	3/8



Allegiance 15 (4A7A5)

Table SC-1-C — Allegiance 15 System Cooling — Single Phase

Model Number	Power Supply	Nom. Cap. Cooling (BTUH)	Uncrated Dimensions(in.)			Shipping Weight (lbs.)	Sound** Rating	MCA*	Max. Fuse*	Line Size	
			H	W	D					OD Gas	OD Liq.
4A7A5018E1000A	208/230/1/60	18,000	29	33	30	200	75	9	15	5/8	3/8
4A7A5024E1000A	208/230/1/60	24,000	29	33	30	201	75	9	15	3/4	3/8
4A7A5030E1000A	208/230/1/60	30,000	33	37	34	234	75	12	20	3/4	3/8
4A7A5036E1000A	208/230/1/60	36,000	37	37	34	228	75	19	30	3/4	3/8
4A7A5042E1000A	208/230/1/60	42,000	41	37	34	272	75	23	40	7/8	3/8
4A7A5048E1000A	208/230/1/60	48,000	45	37	34	282	75	26	45	7/8	3/8
4A7A5049E1000A	208/230/1/60	48,000	45	37	34	308	74	28	45	7/8	3/8
4A7A5060E1000A	208/230/1/60	60,000	45	37	34	285	75	34	60	7/8	3/8
4A7A5061E1000A	230/1/60	60,000	45	37	34	312	75	39	60	1 1/8	3/8

① Must use ACONT900 comfort control with communicating systems.

② BAYACHP024A required for 24 volt mode.

③ Because of limited capabilities, please refer to the product ratings for approved combinations.

* Information subject to change. Please confirm with current Product Data/Service Facts for current factory production.

** Rated in accordance with AHRI Standard 270-2008.

Split System Cooling Single Phase – 1½-5 Tons

Allegiance

Table SC-2-A — Features

	20 (4A7Z0)	16 (4A7A6 E)	15 (4A7A5 E)
• SEER up to	20.00	18.50	17.00
• Duration™ compressor	2	1	✓
• Number of stages	2	2	1
• Comfort-R™ mode approved	✓	✓	✓
• AccuLink™ system	✓	—	—
• Charge Assist™ fast/accurate charging every time	✓	—	—
• DuraBase™ base, fast complete drain, weatherproof	✓	✓	✓
• Easy-Sess™ cabinet, service access	✓	✓	✓
• Spine Fin™ coil	✓	✓	✓
• Compressor sound enclosure	✓	—	✓
• Compressor sump heat - factory installed	✓	—	—
• Factory supplied charge	R-410A	R-410A	R-410A
• Glossy corrosion resistant finish	✓	✓	✓
• High pressure switch	✓	✓	✓
• Low pressure switch	✓	✓	—
• Internal high / low pressure & temperature protection	✓	✓	✓
• Liquid line filter drier - factory installed	✓	✓	✓
• Quick start kit-factory installed	✓	—	½-2½,5
• Seacoast shield - factory installed	✓	✓	✓
• Spinnaker gray cabinet	✓	✓	✓
• 12-year registered limited warranty on compressor, 10-year on outdoor coil & all other functional parts^① (Residential Use)^②	✓	✓	—
• 10-year registered limited warranty on compressor, outdoor coil & all other functional parts^① (Residential Use)^②	—	—	✓
• Extended warranties available	✓	✓	✓

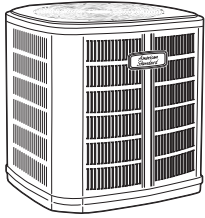
Table SC-2-B — Optional Accessories

Model Number	Description	Shipping Weight			
AY28X079.....	Evaporator defrost control	1	—	—	✓
BAYACHP024A.....	24 Volt Wiring Harness	1	✓	—	—
BAYCAKT001	Charge Assist™ Solenoid Kit	3	✓	—	—
BAYCCHT300	Crankcase Heater Kit (Reciprocating)	1	—	—	1½-2½
BAYCCHT301	Crankcase Heater Kit (Scroll)	1	—	✓	3½-5
BAYCCHT302	Crankcase Heater Kit (Scroll)	1	—	—	3
BAYECMT023	Extreme Conditions Mounting Kit (Base 2/3)	2	—	—	1½-2
BAYECMT004	Extreme Conditions Mounting Kit (Base 4)	2	✓	✓	2½-5
BAYISLT101	Rubber Isolators	1	✓	✓	✓
BAYKSKT260	Start kit (Scroll)	1	—	✓	3-4½
BAYLEGS002	Snow Legs - Base and Cap 6" High (Black)	1	✓	✓	✓
BAYLEGS003	4" Extension (Black)	1	✓	✓	✓
TAYASCT501A ^{③④}	Anti-Short Cycle Timer	2	✓	✓	✓
PAI00309 ^⑤	Heresite Spraypaint	1	✓	✓	✓

Comfort Controls — See Comfort Controls/Zone Sensors Section

- ① Registered Limited Warranty terms are available when you register within 60 days of installation. You can register online at americanstandardair.com or by phone at 800-554-8005; otherwise American Standard Heating & Air Conditioning's Base Limited Warranty terms will apply. Base Limited Warranty information on specific products can be found on ASDealerNet.com.
- ② The ten year Functional Parts Limited Warranty extends to the indoor gas or oil furnace, coil, air handler and thermostat when installed as part of a complete Allegiance comfort system. An Allegiance comfort system includes an AHRI certified matching American Standard outdoor Allegiance unit, indoor unit and thermostat installed at the same time.
- ③ Not for use with programmable thermostats.
- ④ Activated on power off.
- ⑤ Used for additional seacoast corrosion protection. Refer to bulletin number UN-SVB11A-EN for application information.

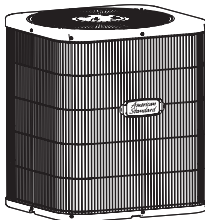
Split System Cooling Single Phase – 1½-5 Tons



Allegiance 13 (4A7A3)

Table SC-3-A— Allegiance 13 Split System Cooling — Single Phase

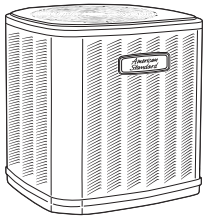
Model Number	Power Supply	Nom. Cap. Cooling (BTUH)	Uncrated Dimensions(in.)			Shipping Weight (lbs.)	Sound** Rating	MCA*	Max. Fuse*	Line Size	
			H	W	D					OD Gas	OD Liq.
4A7A3018D1000A	200/230/1/60	17,000	29	33	30	191	76	9	15	5/8	3/8
4A7A3024D1000A	200/230/1/60	23,000	29	33	30	196	75	11	15	5/8	3/8
4A7A3030D1000A	200/230/1/60	28,500	29	33	30	200	76	15	25	3/4	3/8
4A7A3036D1000A	200/230/1/60	34,500	33	33	30	217	75	18	30	3/4	3/8
4A7A3042D1000A	200/230/1/60	40,500	29	37	34	228	74	26	45	3/4	3/8
4A7A3048D1000A	200/230/1/60	46,500	29	37	34	235	75	28	50	7/8	3/8
4A7A3060D1000A	200/230/1/60	58,500	37	37	34	261	75	35	60	7/8	3/8



Silver Series SI (4A7M3)

Table SC-3-B — American Standard R-410A Split System Cooling — Single Phase

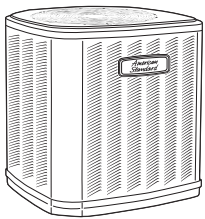
Model Number	Power Supply	Nom. Cap. Cooling (BTUH)	Uncrated Dimensions(in.)			Shipping Weight (lbs.)	Sound** Rating	MCA*	Max. Fuse*	Line Size	
			H	W	D					OD Gas	OD Liq.
4A7M3018A1000A	200/230/1/60	18,000	29	25½	23½	177	83	10	15	5/8	3/8
4A7M3024A1000A	200/230/1/60	24,000	29	25½	23½	180	81	12	15	5/8	3/8
4A7M3030A1000A	200/230/1/60	29,400	29	25½	23½	181	83	15	25	3/4	3/8
4A7M3036A1000A	200/230/1/60	34,400	29	25½	23½	184	83	18	30	3/4	3/8
4A7M3042A1000A	200/230/1/60	42,000	29	29	28½	190	82	27	45	7/8	3/8
4A7M3048A1000A	200/230/1/60	47,000	29	29	28½	191	83	29	50	7/8	3/8
4A7M3060A1000A	200/230/1/60	58,000	29	29	28½	194	83	35	60	7/8	3/8



American Standard 14 (4A7B4)

Table SC-3-C— American Standard 14 Split System Cooling — Single Phase

Model Number	Power Supply	Nom. Cap. Cooling (BTUH)	Uncrated Dimensions(in.)			Shipping Weight (lbs.)	Sound** Rating	MCA*	Max. Fuse*	Line Size	
			H	W	D					OD Gas	OD Liq.
4A7B4018E1000A	208/230/1/60	18,000	29	33	30	200	79	9	15	5/8	3/8
4A7B4024E1000A	208/230/1/60	24,000	29	33	30	201	79	9	15	3/4	3/8
4A7B4030E1000A	208/230/1/60	30,000	33	37	34	234	80	12	20	3/4	3/8
4A7B4036E1000A	208/230/1/60	36,000	37	37	34	228	78	19	30	3/4	3/8
4A7B4042E1000A	208/230/1/60	42,000	41	37	34	272	80	23	40	7/8	3/8
4A7B4048E1000A	208/230/1/60	48,000	45	37	34	282	80	26	45	7/8	3/8
4A7B4049E1000A	208/230/1/60	48,000	45	37	34	308	76	28	45	7/8	3/8
4A7B4060E1000A	208/230/1/60	60,000	45	37	34	285	80	34	60	7/8	3/8
4A7B4061E1000A	230/1/60	60,000	45	37	34	312	76	39	60	1½	3/8



American Standard 13 (4A7B3)

Table SC-3-D— American Standard 13 SEER Split System Cooling — Single Phase

Model Number	Power Supply	Nom. Cap. Cooling (BTUH)	Uncrated Dimensions(in.)			Shipping Weight (lbs.)	Sound** Rating	MCA*	Max. Fuse*	Line Size	
			H	W	D					OD Gas	OD Liq.
4A7B3018D1000A	200/230/1/60	17,000	29	33	30	191	78	9	15	5/8	3/8
4A7B3024D1000A	200/230/1/60	23,000	29	33	30	196	78	11	15	5/8	3/8
4A7B3030D1000A	200/230/1/60	28,500	29	33	30	200	78	15	25	3/4	3/8
4A7B3036D1000A	200/230/1/60	34,500	33	33	30	217	78	18	30	3/4	3/8
4A7B3042D1000A	200/230/1/60	40,500	29	37	34	228	79	26	45	3/4	3/8
4A7B3048D1000A	200/230/1/60	46,500	29	37	34	235	79	28	50	7/8	3/8
4A7B3060D1000A	200/230/1/60	58,500	37	37	34	261	80	35	60	7/8	3/8

* Information subject to change. Please confirm with current Product Data/Service Facts for current factory production.

** Rated in accordance with AHRI Standard 270-2008.

Split System Cooling Single Phase – 1½-5 Tons

Allegiance and American Standard

Table SC-4-A — Features

	13 (4A7A3)	13 (4A7M3)	14 (4A7B4)	13 (4A7B3)
• SEER up to	14.00	13.25	16.00	14.00
• Duration™ compressor	✓	✓	✓	✓
• Comfort-RT™ mode approved	✓	✓	✓	✓
• DuraBase™ base, fast complete drain, weatherproof	✓	—	✓	✓
• Easy-Sess cabinet, service access & refrigerant connections with full coil protection	✓	—	✓	✓
• Spine Fin™ coil	✓	—	✓	✓
• Duration™ coil	—	✓	—	—
• Compressor sump heat - factory installed	5	—	—	—
• Quick start kit-factory installed	1½-3	1½-3,5	1½-2½	1½-3
• Sound enclosures	—	—	1½-2½	1½-2½
• Factory supplied charge	R-410A	R-410A	R-410A	R-410A
• Glossy corrosion resistant finish	✓	✓	✓	✓
• High pressure switch	✓	✓	✓	✓
• Internal high / low pressure & temperature protection	✓	—	✓	✓
• Liquid line filter drier - factory installed	✓	—	✓	✓
• Liquid line filter drier - factory supplied for field install	—	✓	—	—
• Polyslate gray cabinet	—	—	—	✓
• Spinnaker gray cabinet	✓	—	✓	—
• Tarpolin gray cabinet	—	✓	—	—
• 10-year registered limited warranty on compressor, outdoor coil & all other functional parts^④ (Residential Use)^⑤	✓	—	—	—
• 10-year registered limited warranty on compressor, 5-year on outdoor coil & all other functional parts (Residential Use)^⑥	—	—	✓	✓
• 10-year registered limited warranty on compressor & coil, 5-year on all other functional parts	—	✓	—	—
• Extended warranties available	✓	✓	✓	✓

Table SC-4-B — Optional Accessories

Model Number	Description	Shipping Weight				
AY28X079.....	Evaporator defrost control kit	1	✓	✓	✓	✓
BAYCCHT300	Crankcase Heater (Reciprocating)	1	1½-3	1½-3	1½-2½	3
BAYCCHT301	Crankcase Heater (Scroll)	1	3½-4	3½-5	3½-5	3½-5
BAYCCHT302	Crankcase Heater (Scroll)	1	—	—	3	—
BAYECMT023	Extreme Conditions Mounting Kit (Base 2/3)	2	1½-3	—	1½-2	1½-3
BAYECMT004	Extreme Conditions Mounting Kit (Base 4)	2	3½-5	—	2½-5	3½-5
BAYECMT021	Extreme Conditions Mounting Kit	—	—	✓	—	—
BAYISLT101	Rubber isolators	1	✓	✓	✓	✓
BAYKSKT260	Start kit (Scroll)	1	3½-4	—	3-5	3½-5
BAYKSKT263	Start kit	—	—	3½-4	—	—
BAYLEGS002	Snow Legs - Base and Cap 6" High (Black)	1	✓	—	✓	✓
BAYLEGS003	4" Extension (Black)	1	✓	—	✓	✓
BAYLOAM103	Low Ambient Kit	1	✓	✓ ^⑤	✓	✓
BAYSEAC001	Seacoast Kit	1	✓	—	✓	✓
TAYASCT501A ^{⑦⑧}	Anti-Short Cycle Timer	2	✓	—	✓	✓
PAI00309 ^⑨	Heresite Spraypaint	1	✓	—	✓	✓

Comfort Controls — See Comfort Controls/Zone Sensors Section

① Not for use with programmable thermostats.

② Activated on Power Off.

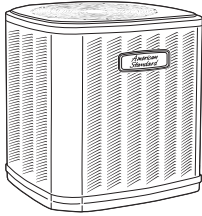
③ Registered Limited Warranty terms are available when you register within 60 days of installation. You can register online at americanstandardair.com or by phone at 800-554-8005; otherwise American Standard Heating & Air Conditioning's Base Limited Warranty terms will apply. Base Limited Warranty information on specific products can be found on ASDealerNet.com.

④ The ten year Functional Parts Limited Warranty extends to the indoor gas or oil furnace, coil, air handler and thermostat when installed as part of a complete Allegiance comfort system. An Allegiance comfort system includes an AHRI certified matching American Standard outdoor Allegiance unit, indoor unit and thermostat installed at the same time.

⑤ For applications requiring BAYLOAM103, an 8x8 weather proof electrical enclosure is required in order to locate the low ambient controller external to the unit.

⑥ Used for additional seacoast corrosion protection. Refer to bulletin number UN-SVB11A-EN for application information.

Split System Cooling Three Phase – 2½-6 Tons



13 SEER

Table SC-5-A— 13 SEER Split Cooling Single Compressor

Model Number	Power Supply	Nom. Cap. Cooling (BTUH)	Uncrated Dimensions(in.)			Shipping Weight (lbs.)	Sound** Rating	MCA*	Max. Fuse*	Line Size	
			H	W	D					OD Gas	OD Liq.
4A7C3030A3000B	200/230/3/60	30,000	33	33	30	224	78	10	15	¾	5/16
4A7C3036A3000B	200/230/3/60	36,000	37	33	30	229	78	15	25	¾	3/8
4A7C3042D3000A	208/230/3/60	42,000	29	37	34	228	79	18	30	¾	3/8
4A7C3048D3000A	208/230/3/60	48,000	29	37	34	235	79	18	30	7/8	3/8
4A7C3060D3000A	208/230/3/60	60,000	37	37	34	294	80	21	35	7/8	3/8
4A7C3030A4000B	460/3/60	30,000	33	33	30	222	78	5	15	¾	5/16
4A7C3036A4000B	460/3/60	36,000	37	33	30	227	78	7	15	¾	3/8
4A7C3042A4000B	460/3/60	42,000	33	37	34	254	79	9	15	¾	3/8
4A7C3048A4000B	460/3/60	48,000	33	37	34	252	79	9	15	7/8	3/8
4A7C3060A4000B	460/3/60	60,000	41	37	34	294	80	12	20	7/8	3/8

* Information subject to change. Please confirm with current Product Data/Service Facts for current factory production.

** Rated in accordance with AHRI Standard 270-2008.

Split System Cooling Three Phase – 2½-6 Tons

Table SC-6-A — Features

	13 (4A7C3)
• SEER up to	13.00
• Duration™ compressor	✓
• Comfort-R™ mode approved	✓
• DuraBase™ base, fast complete drain, weatherproof	✓
• Easy-Sess™ cabinet, service access & refrigerant connections with full coil protection	✓
• Spine Fin™ coil	✓
• Compressor sump heat - factory installed	✓
• Factory supplied charge	R-410A
• Glossy corrosion resistant finish	✓
• Internal high / low pressure & temperature protection	✓
• Liquid line filter drier - factory installed	✓
• Low pressure switch	✓
• Polyslate gray cabinet	✓
• 5-year limited warranty on compressor, outdoor coil & 1-year on all other functional parts (Commercial Use)	✓
• 5-year limited warranty on compressor, outdoor coil & all other functional parts (Residential Use)	✓
• Extended warranties available	✓

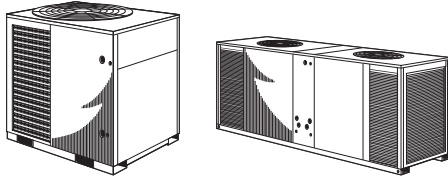
Table SC-6-B — Optional Accessories

Model Number	Description	Shipping Weight	
AY28X079.....	Evaporator Defrost Control	1	✓
BAYECMT023	Extreme Conditions Mounting Kit (Base 2/3).....	2	2½-3
BAYECMT004	Extreme Conditions Mounting Kit (Base 4).....	2	3½-5
BAYISLT101	Rubber Isolators.....	1	✓
BAYLEGS002	Snow Legs - Base and Cap 6" High (Black)	1	✓
BAYLEGS003	4" Extension (Black)	1	✓
BAYLOAM103③	Low Ambient Kit	1	✓
BAYSEAC001	Seacoast Kit	1	✓
BAYTFMR003A	77VA Transformer 230V/24V	4	✓
BAYTFMR004A	77VA Transformer 460V/24V	4	✓
TAYASCT501A①②	Anti-Short Cycle Timer	2	✓
PAI00309④	Heresite Spraypaint.....	1	✓

Comfort Controls — See Comfort Controls/Zone Sensors Section

- ① Do not use with programmable thermostats.
- ② Activated on Power Off.
- ③ Not approved for use with hot gas by-pass application.
- ④ Used for additional seacoast corrosion protection. Refer to bulletin number UN-SVB11A-EN for application information.

Split System Cooling Three Phase – 6-20 Tons, R-410A



TTA – 6-20 Tons

- ReliaTel™ controls option
- (1) Scroll compressor (TTA073-120D)
- (2) Scroll compressors (TTA120E-240E) with independent refrigerant circuits
- (2) Manifolded scroll compressors (TTA120F, 180F-240F)
- Single point power
- Compressor motor overload protection
- Compressor discharge temperature limit switch
- Control transformer
- High and low pressure cut-out switches
- Liquid line filter drier, factory installed
- Service valves with pressure taps
- Electrical phase reversal protection
- Internal pressure relief valves
- Holding charge (Dry Nitrogen)
- Copper tube, aluminum plate fin coils
- Low ambient cooling to 50°F as shipped
- Low ambient cooling to 0°F with accessory head pressure control
- Mounting/lifting rails under base
- UL listed
- **5-year compressor warranty (TTA073-120D/TTA120-180E/TTA120-180F)**
- **1-year compressor warranty (TTA240E,F)**
- **1-year limited parts warranty**
- **Optional Extended Warranties**

1 2 3 4 5 6 7 8 9 10 11 12
T T A 0 9 0 D 3 0 0 A 0

Compressor Type

- D = Single Compressor/Single Refrigerant Circuit, R-410A
- E = Dual Compressor/Dual Refrigerant Circuit, R-410A
- F = Dual Compressor/Single Manifolded Refrigerant Circuit, R-410A

Factory-Installed Options

- 00 = Packed Stock
- 0S = Black Epoxy Coated Coil
- 0R = ReliaTel™ Controls
- 0T = ReliaTel™ Controls and Black Epoxy Coated Coil

1 2 3 4 5 6 7 8 9 10 11 12
T T A 0 9 0 D 3 0 0 A 0

Compressor Type

- D = Single Compressor/Single Refrigerant Circuit, R-410A
- E = Dual Compressor/Dual Refrigerant Circuit, R-410A
- F = Dual Compressor/Single Manifolded Refrigerant Circuit, R-410A

Factory-Installed Options

- H0 = Hail Guard
- HS = Hail Guard and Black Epoxy Coated Coil
- HR = Hail Guard and ReliaTel™ Controls
- HT = Hail Guard and ReliaTel™ Controls with Black Epoxy Coated Coil

Table SC-7-A — TTA Split System Cooling — Single Compressor — R-410 Refrigerant

Model Number	Power Supply	Nom. Cap. Cooling (BTUH)	Uncrated Dimensions(in.)			Shipping Weight (lbs.)	Sound ^① Rating	MCA*	Max. Fuse*	Line Size	
			H	W	L					OD Gas	OD Liq.
TTA073D300A	208-230/3/60	75,000	39	36	42	365	84	31.1	40	1 1/8	1/2
TTA090D300A	208-230/3/60	92,000	39	36	42	363	83	34.4	45	1 3/8	5/8
TTA120D300A	208-230/3/60	120,000	39	40	52	467	90	42.6	60	1 3/8	1/2
TTA073D400A	460/3/60	75,000	39	36	42	365	84	14.9	20	1 1/8	1/2
TTA090D400A	460/3/60	92,000	39	36	42	363	83	17.7	25	1 3/8	5/8
TTA120D400A	460/3/60	120,000	39	40	52	467	90	23.4	30	1 3/8	1/2
TTA073DW00A	575/3/60	75,000	39	36	42	365	84	11.1	15	1 1/8	1/2
TTA090DW00A	575/3/60	92,000	39	36	42	363	83	14.5	20	1 3/8	5/8
TTA120DW00A	575/3/60	120,000	39	40	52	467	90	17.5	25	1 3/8	1/2

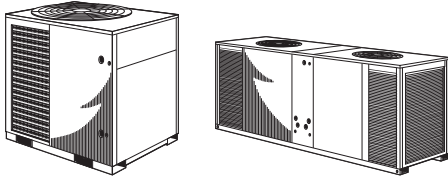
Table SC-7-B — TTA Split System Cooling — Dual Compressors with Two Sets of Refrigerant Circuits — R-410 Refrigerant

Model Number	Power Supply	Nom. Cap. Cooling (BTUH)	Uncrated Dimensions(in.)			Shipping Weight (lbs.)	Sound ^① Rating	MCA*	Max. Fuse*	Line Size	
			H	W	L					OD Gas	OD Liq.
TTA120E300A	208-230/3/60	119,000	39	40	52	510	91	41	45	1 1/8	1/2
TTA150E300A	208-230/3/60	150,000	45	40	52	543	91	55.4	70	1 1/8	1/2
TTA180E300A	208-230/3/60	180,000	45	46	95	850	93	66.3	80	1 3/8	1/2
TTA240E300A	208-230/3/60	254,000	45	46	95	970	94	98	110	1 3/8	1/2
TTA120E400A	460/3/60	119,000	39	40	52	510	91	20.1	25	1 1/8	1/2
TTA150E400A	460/3/60	150,000	45	40	52	543	91	26.4	30	1 1/8	1/2
TTA180E400A	460/3/60	180,000	45	46	95	850	93	32.5	40	1 3/8	1/2
TTA240E400A	460/3/60	254,000	45	46	95	970	94	46.9	60	1 3/8	1/2
TTA120EW00A	575/3/60	119,000	39	40	52	510	91	15.5	20	1 1/8	1/2
TTA150EW00A	575/3/60	150,000	45	40	52	543	91	21.4	25	1 1/8	1/2
TTA180EW00A	575/3/60	180,000	45	46	95	850	93	25.6	30	1 3/8	1/2
TTA240EW00A	575/3/60	254,000	45	46	95	970	94	38.7	45	1 3/8	1/2

① Sound rating show is tested in accordance with AHRI Standard 270 or 370.

* Information subject to change. Please confirm with current Product Data/Service Facts for current factory production.

Split System Cooling Three Phase – 6-20 Tons, R-410A



TTA – 6-20 Tons

- ReliaTel™ controls option
- (1) Scroll compressor (TTA073D-120D)
- (2) Scroll compressors (TTA120D-240E) with independent refrigerant circuits
- (2) Manifoldd scroll compressors (TTA120F, 180-240F)
- Single point power
- Compressor motor overload protection
- Compressor discharge temperature limit switch
- Control transformer
- High and low pressure cut-out switches
- Liquid line filter drier, factory installed
- Service valves with pressure taps
- Electrical phase reversal protection
- Internal pressure relief valves
- Holding charge (Dry Nitrogen)
- Copper tube, aluminum plate fin coils
- Low ambient cooling to 50°F as shipped
- Low ambient cooling to 0°F with accessory head pressure control
- Mounting/lifting rails under base
- UL listed
- **5-year compressor warranty (TTA073-120D/TTA120-180E/TTA120-180F)**
- **1-year compressor warranty (TTA240E,F)**
- **1-year limited parts warranty**
- **Optional Extended Warranties**

1 2 3 4 5 6 7 8 9 10 11 12
T T A 0 9 0 D 3 0 0 A 0

Compressor Type

- D = Single Compressor/Single Refrigerant Circuit, R-410A
- E = Dual Compressor/Dual Refrigerant Circuit, R-410A
- F = Dual Compressor/Single Manifoldd Refrigerant Circuit, R-410A

Factory-Installed Options

- 00 = Packed Stock
- 0S = Black Epoxy Coated Coil
- 0R = ReliaTel™ Controls
- 0T = ReliaTel™ Controls and Black Epoxy Coated Coil

1 2 3 4 5 6 7 8 9 10 11 12
T T A 0 9 0 D 3 0 0 A 0

Compressor Type

- D = Single Compressor/Single Refrigerant Circuit, R-410A
- E = Dual Compressor/Dual Refrigerant Circuit, R-410A
- F = Dual Compressor/Single Manifoldd Refrigerant Circuit, R-410A

Factory-Installed Options

- H0 = Hail Guard
- HS = Hail Guard and Black Epoxy Coated Coil
- HR = Hail Guard and ReliaTel™ Controls
- HT = Hail Guard and ReliaTel™ Controls with Black Epoxy Coated Coil

Table SC-8-A — TTA Split System Cooling — Dual Manifoldd Compressors with Single Refrigerant Circuits — R-410 Refrigerant

Model Number	Power Supply	Nom. Cap. Cooling (BTUH)	Uncrated Dimensions(in.)			Shipping Weight (lbs.)	Sound ^① Rating	MCA*	Max. Fuse*	Line Size	
			H	W	L					OD Gas	OD Liq.
TTA120F300A	208-230/3/60	120,000	39	40	52	509	91	44.6	50	1 ³ / ₈	1/2
TTA180F300A	208-230/3/60	180,000	45	45	95	852	93	66.3	80	1 ⁵ / ₈	5/8
TTA240F300A	208-230/3/60	246,000	45	45	95	966	94	98	110	1 ⁵ / ₈	5/8
TTA120F400A	460/3/60	120,000	39	40	52	509	91	24.1	30	1 ³ / ₈	1/2
TTA180F400A	460/3/60	180,000	45	45	95	852	93	32.5	40	1 ⁵ / ₈	5/8
TTA240F400A	460/3/60	246,000	45	45	95	966	94	49.6	60	1 ⁵ / ₈	5/8
TTA120FW00A	575/3/60	120,000	39	40	52	509	91	15.7	20	1 ³ / ₈	1/2
TTA180FW00A	575/3/60	180,000	45	45	95	852	93	26.3	30	1 ⁵ / ₈	5/8
TTA240FW00A	575/3/60	246,000	45	45	95	966	94	39.6	45	1 ⁵ / ₈	5/8

① Sound rating show is tested in accordance with AHRI Standard 270 or 370.

* Information subject to change. Please confirm with current Product Data/Service Facts for current factory production.

Split System Cooling – R-410A Accessories Three Phase – 6-20 Tons

Table SC-9-A — R-410A Optional Accessories

Model Number	Description	Used With
Coil Guard		
BAYGARD058A	Hail/Vandal Guard	TTA073D, TTA090D
BAYGARD059A	Hail/Vandal Guard	TTA120D/E/F
BAYGARD060A	Hail/Vandal Guard	TTA150E
BAYGARD061A	Hail/Vandal Guard	TTA180E/F, TTA240E/F
Hot Gas By-Pass		
BAYHGBP010A	Universal Hot Gas Bypass Kit	TTA073D-TTA240F
Isolators		
BAYISLT004A	Rubber Isolator Floor (blue)	TTA073D-TTA090D
BAYISLT005A	Rubber Isolator Floor (black)	TTA120D/E/F
BAYISLT009A	Rubber Isolator Floor (red)	TTA150E, TTA180E/F
BAYISLT010A	Rubber Isolator Floor (green)	TTA240E/F
BAYISLT023A	Steel Spring Isolator Floor (red)	TTA073D, TTA090D, TTA120D
BAYISLT024A	Steel Spring Isolator Floor (black)	TTA120E/F, TTA150E, TTA180E/F
BAYISLT025A	Steel Spring Isolator Floor (yellow)	TTA240E/F
Low Ambient		
BAYLOAMU01A ^{①②③④}	On/Off Fan Control Mounted in External Enclosure (small cabinets)	TTA073-090 (all voltages)
BAYLOAMU02A ^{②③④}	On/Off Fan Control Mounted in Unit Control Box (large cabinets)	TTA120-240 (all voltages)
BAYLOAM335A ^③	Modulating ICM Head Pressure Control w/ 208-230V 0.5 HP Hi-Eff Motor (internal mount)	TTA073D3, TTA090D3
BAYLOAM336A ^③	Modulating ICM Head Pressure Control w/ 208-230V 1 HP Hi-Eff Motor (internal mount)	TTA120D3/E3/F3, TTA150E3
BAYLOAM435A ^③	Modulating ICM Head Pressure Control w/ 460V 0.5 HP Hi-Eff Motor (internal mount)	TTA073D4, TTA090D4
BAYLOAM436A ^③	Modulating ICM Head Pressure Control w/ 460V 1.0 HP Hi-Eff Motor (internal mount)	TTA120D4/E4/F4, TTA150E4
BAYLOAMW36A ^③	Modulating ICM Head Pressure Control w/ 575V 1.0 HP Hi-Eff Motor (internal mount)	TTA120DW/EW/FW, TTA150EW
BAYLOTR001A	Additional Pressure Transducer for ICM Head Pressure Control	TTA120E/F, TTA150E
Time Delay Relay		
BAYRLAY002	Time Delay Relay	TTA090D-TTA240F

① Kit mounts external to the outdoor unit and operates by sensing ambient and liquid line temperatures.

② Cycles fan on/off, (no modulating).

③ Quantity of 1 required for each fan (2 total for TTA/TWA180-240).

④ ReliaTel™ requires onboard EDC function to be disabled when Bayloam is used, remove OA sensor from terminal J8-1&2.

⑤ BAYLOTR001A required when modulating BAYLOAM kits used with units that have 2 compressors and 1 condenser fan.

Split System Cooling Three Phase – 6-20 Tons

Table SC-10-A — ReliaTel™ Control Options

Model Number	Description	Used With
ASYSTAT106A	Zone Sensor, Set Point, Fan System	TTA073-TTA240 with ReliaTel™ Controls
ASYSTAT107A	Zone Sensor, Set Point Adj, Fan, System, EH, LED	TTA073-TTA240
ASYSTAT108A	Zone Sensor, 2 Set Point, Fan System	TTA073-TTA240 with ReliaTel™ Controls
ASYSTAT109A	Zone Sensor, 2 Set Point Adj, Fan, System, EH, LED	TTA073-TTA240
ASYSTAT777A	Digital Programmable Zone Sensor with Night Setback	TTA073-TTA240 with ReliaTel™ Controls
BAYSENS050 ^①	Wireless Zone Sensor	TTA073-TTA240 with ReliaTel™ Controls
BAYSENS073A	Room Sensor w/ Override and Cancel Button	TTA073-TTA240 with ReliaTel™ Controls
BAYSENS074A	Room Sensor w/ Temperature Adjustment and Override Button	TTA073-TTA240 with ReliaTel™ Controls
BAYSENS077A	Remote Sensor	ASYSTAT106A-ASYSTAT109A, ASYSTAT777A
BAYSENS110A	Dual Set Point w/ Manual/Auto Change Over	TTA073-TTA240 with ReliaTel™ Controls

Table SC-10-B — Electromechanical Control Options

Model Number	Description	Used With
ASYSTAT092A	2H/2C Touch Screen Digital Display Programmable Thermostat "Touch Screen"	All
ASYSTAT093A	3H/2C Digital Display Programmable Thermostat W/Humidity Sensor	All

^① Kit comes with everything required for installation and operation.

6 - 20 Tons with ReliaTel™ Controls TTA073-120D, TTA120-240E, TTA120-180F

Protection/Operation Timings and Features

Anti Short Cycle Timer (ASCT) Function — Provides a three (3) minute minimum “ON” time and a three (3) minute minimum “OFF” time for compressors, enhances compressor reliability by ensuring proper oil return. **Standard**

Built In Fan Delay Relay (FDR) Function — Provides custom indoor fan timing sequences for the different types of equipment, enhancing efficiency and reliability. **Standard**

Built In Night Set Back and Unoccupied Functions① — When using a standard dual setpoint/auto change over Zone Sensor Module (ZSM), this function is enabled by applying a short across terminal J6-11 and J6-12. Sets cooling setpoint up a minimum of 7°F, sets heating setpoint back a minimum of 7°F, and forces fan operation to automatic. **(requires time clock accessory or field supplied/installed switch or contacts).**

Built In “TEST” Mode — Aids in quick verification of system and control operation, exercises both hardware and software (no special tools required). **Standard**

Built In Unoccupied Mode① — When using a standard single setpoint/manual change over Zone Sensor Module (ZSM), this function is enabled by applying a short across terminal J6-11 and J6-12. Forces fan operation to automatic. **(requires time clock accessory or field supplied/installed switch or contacts.)**

Direct Digital Control (DDC)① — Proportional Integral (PI) control. Proportional – sets corrective action proportional to deviation from setpoint. Integral – fine tunes the rate of corrective action proportional to the error (results in superior space temperature control). **Standard**

Increased Reliability — Fewer components (moving electro-mechanical parts), less likelihood of equipment down time or failure. **Standard**

Integral Electric Heat Staging① — Stages electric heaters “OFF” and “ON”, eliminating the use of outdated sequencers. **Standard**

Intelligent Fallback① — A built in Default Control provides adaptive operation, which allows the equipment to continue to operate, providing comfort in the event of certain component failures. Also, allows emergency operation without a Zone Sensor Module (ZSM). **Standard**

Low Ambient Start Timer (LAST) Function — Bypasses low pressure control when a compressor starts, eliminating nuisance compressor lock outs. **Standard**

Lower Installation Cost — Using a standard Zone Sensor Module (ZSM), control voltage wiring may be run up to five (5) times further than any electromechanical system, with no increase in wire gauge. Example: Electromechanical System – 30 feet maximum using 22 gauge wire. Micro Control System – 150 feet using 22 gauge wire. **Standard**

On Board Diagnostics① — Assist with equipment troubleshooting, if a problem occurrence should take place. **Standard**

Remote Sensing① — All standard Zone Sensor Modules (ZSMs) have remote sensing capabilities, typically achieved by using an expensive program-mable thermostat and remote sensor with electromechanical equipment. **Accessory (requires use of remote sensor).**

Space Temperature Averaging① — All standard Zone Sensor Modules (ZSMs) have space temperature averaging capabilities, typically achieved by using an expensive programmable thermostat and minimum of four (4) remote sensors with electromechanical equipment. **Averaging with ReliaTel™ can be achieved with two (2) sensors.**

Time Delay Relay (TDR) Function — Provides an incremental staging delay between compressors, minimizes equipment current inrush and consumption by keeping compressors from starting simultaneously. **Standard**

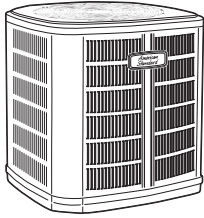
Low Pressure and High Pressure Compressor Lockout — 3 trips will lockout control.

When the ReliaTel™ RTRM Thermostat Interface is used, equipment operation differs significantly. The basic equipment protection features remain intact, and the following features and benefits are lost:

- Direct Digital Control (DDC) – Proportional Integral (PI) control is lost, equipment is controlled by a thermostat or generic building automation system device.
- Intelligent Fall back is lost, if a failure occurs in the device controlling the equipment, operation will cease.
- Installation is more costly, with the addition of a thermostat or generic control, the control wiring size must be increased.
- Remote Sensing capabilities are lost, unless generic control being applied can accomplish this.
- Space Temperature Averaging capabilities are lost, unless generic control being applied can accomplish this.
- Built In Night Set Back and Unoccupied functions are lost, unless generic control being applied can accomplish this.
- Built In Unoccupied Mode is lost, unless generic control being applied can accomplish this.

① Denotes features lost from utilizing standard conventional stat.

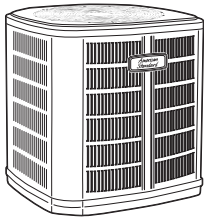
Split System Heat Pumps Single Phase – 1½-5 Tons



Heritage 20 (4A6Z0)

Table SH-1-A — Heritage 20 R-410A Split System Heat Pump — Single Phase with AccuLink™^{①②③}

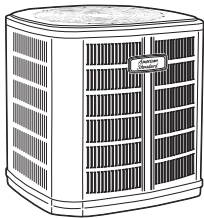
Model Number	Power Supply	Nom. Cap. Cooling (BTUH)	Uncrated Dimensions(in.)			Shipping Weight (lbs.)	Sound** Rating	MCA*	Max. Fuse*	Line Size	
			H	W	D					OD Gas	OD Liq.
4A6Z0024A1000A	200/230/1/60	24,000	45	37	34	380	70	14	20	5/8	3/8
4A6Z0036A1000A	200/230/1/60	36,000	45	37	34	385	72	20	30	3/4	3/8
4A6Z0048A1000A	200/230/1/60	48,000	45	37	34	470	76	26	40	3/4	3/8
4A6Z0060A1000A	200/230/1/60	60,000	45	37	34	470	76	31	50	3/4	3/8



Heritage 16 (4A6H6)

Table SH-1-B — Heritage 16 R-410A Split System Heat Pump

Model Number	Power Supply	Nom. Cap. Cooling (BTUH)	Uncrated Dimensions(in.)			Shipping Weight (lbs.)	Sound** Rating	MCA*	Max. Fuse*	Line Size (in)	
			H	W	D					Gas	Liq.
4A6H6024E1000A	230/1/60	24,000	41	37	34	272	72	14	20	5/8	3/8
4A6H6036E1000A	230/1/60	36,000	45	37	34	274	72	22	35	3/4	3/8
4A6H6048E1000A	230/1/60	48,000	45	37	34	329	73	29	50	7/8	3/8
4A6H6060E1000A	230/1/60	60,000	45	37	34	330	74	39	60	1 1/8	3/8



Heritage 15 (4A6H5-E)

Table SH-1-C — Heritage 15 Split System Heat Pump — Single Phase

Model Number	Power Supply	Nom. Cap. Cooling (BTUH)	Uncrated Dimensions(in.)			Shipping Weight (lbs.)	Sound** Rating	MCA*	Max. Fuse*	Line Size	
			H	W	D					Gas	Liq.
4A6H5018E1000A	208/230/1/60	18,000	33	37	34	262	75	10	15	1/2	3/8
4A6H5024E1000A	208/230/1/60	24,000	33	37	34	265	75	12	20	5/8	3/8
4A6H5030E1000A	208/230/1/60	30,000	41	37	34	281	75	15	25	3/4	3/8
4A6H5036E1000A	208/230/1/60	36,000	41	37	34	283	75	20	35	3/4	3/8
4A6H5042E1000A	208/230/1/60	42,000	41	37	34	313	75	27	45	3/4	3/8
4A6H5048E1000A	208/230/1/60	48,000	45	37	34	331	75	29	50	7/8	3/8
4A6H5049E1000A	208/230/1/60	48,000	45	37	34	331	75	30	50	7/8	3/8
4A6H5060E1000A	208/230/1/60	60,000	45	37	34	332	75	35	60	7/8	3/8
4A6H5061E1000A	208/230/1/60	60,000	45	37	34	332	75	36	60	1 1/8	3/8

① Must use ACONT900 comfort control with communicating systems.

② BAYACHP024A required for 24 volt mode.

③ Because of limited capabilities, please refer to the product ratings for approved combinations.

* Information subject to change. Please confirm with current Product Data/Service Facts for current factory production.

** Rated in accordance with AHRI Standard 270-2008.

Split System Heat Pumps Single Phase – 1½-5 Tons

Heritage

Table SH-2-A — Features

	20 (4A6Z0)	16 (4A6H6 E)	15 (4A6H5-E)
• SEER up to	19.00	18.00	17.00
• HSPF up to	9.0	9.0	9.0
• Duration™ compressor	2	1	✓
• Number of stages	2	2	1
• AccuLink™ system	✓	—	—
• Charge Assist™ fast/accurate charging every time	✓	—	—
• Comfort-R™ mode approved	✓	✓	✓
• DuraBase™ base, fast complete drain, weatherproof	✓	✓	✓
• Easy-Sess™ cabinet, service access & refrigerant connections with full coil protection	✓	✓	✓
• Spine Fin™ coil	✓	✓	✓
• Demand Defrost Control w/ Lite Port™ /Stored Diagnostics	—	—	✓
• Electronic Expansion Valve (EEV)	✓	✓	—
• Compressor sound enclosure	✓	—	✓
• Compressor sump heat - factory installed	✓	✓	✓
• Factory supplied charge	R-410A	R-410A	R-410A
• Glossy corrosion resistant finish	✓	✓	✓
• High pressure switch	✓	✓	✓
• Low pressure switch	✓	✓	—
• Internal high / low pressure & temperature protection	✓	✓	✓
• Liquid line filter drier - factory installed	✓	✓	✓
• Quick start kit - factory installed	✓	—	1½-2½,5
• Seacoast shield - factory installed	✓	✓	✓
• Spinnaker gray cabinet	✓	✓	✓
• 12-year registered limited warranty on compressor, 10-year on outdoor coil & all other functional parts[ⓐ] (Residential Use)[ⓑ]	✓	✓	—
• 10-year registered limited warranty on compressor, outdoor coil & all other functional parts[ⓐ] (Residential Use)[ⓑ]	—	—	✓
• Extended warranties available	✓	✓	✓

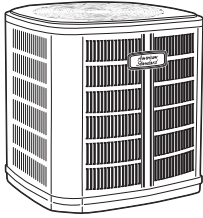
Table SH-2-B — Optional Accessories

Model Number	Description	Shipping Weight			
AY28X084.....	Evaporator Defrost Control	1	—	—	✓
BAYACHP024A.....	24 Volt Wiring Harness	1	✓	—	—
BAYCAKT001	Charge Assist™ Solenoid Kit	3	✓	—	—
BAYECMT023	Extreme Conditions Mounting Kit (Base 2/3).....	2	—	—	—
BAYECMT004	Extreme Conditions Mounting Kit (Base 4).....	2	✓	✓	✓
BAYINS001.....	Insulation Kit.....	—	—	✓
BAYISLT101	Rubber Isolators.....	1	✓	✓	✓
BAYKSKT260	Start kit (Scroll)	1	—	✓	3-4
BAYLEGS002	Snow Legs - Base and Cap 6" High (Black)	1	✓	✓	✓
BAYLEGS003.....	4" extension (Black)	1	✓	✓	✓
BAYLOAM103	Low Ambient Kit	1	—	—	✓ [ⓐ]
TAYASCT501A [ⓐ] ⓑ	Anti-Short Cycle Timer	2	—	—	✓
TAYPLUS103A	Heat Pump Control Kit	3	—	—	✓
PAI00309 [Ⓒ]	Heresite Spraypaint.....	1	✓	✓	✓

Comfort Controls — See Comfort Controls/Zone Sensors Section

- ⓐ Do not use with programmable thermostats.
- ⓑ Activated on Power Off.
- Ⓒ Registered Limited Warranty terms are available when you register within 60 days of installation. You can register online at americanstandardair.com or by phone at 800-554-8005; otherwise American Standard Heating & Air Conditioning's Base Limited Warranty terms will apply. Base Limited Warranty information on specific products can be found on ASDealerNet.com.
- Ⓓ The ten year Functional Parts Limited Warranty extends to the indoor gas or oil furnace, coil, air handler and thermostat when installed as part of a complete Heritage comfort system. A Heritage comfort system includes an AHRI certified matching American Standard outdoor Heritage unit, indoor unit and thermostat installed at the same time.
- Ⓔ For operation to 20°F outdoor ambient.
- Ⓕ Used for additional seacoast corrosion protection. Refer to bulletin number UN-SVB11A-EN for application information.

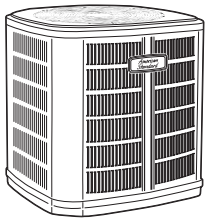
Split System Heat Pumps Single Phase – 1½-5 Tons



Heritage 13 (4A6H3-B)

Table SH-3-A— Heritage 13 Split System Heat Pump — Single Phase

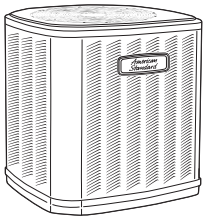
Model Number	Power Supply	Nom. Cap. Cooling (BTUH)	Uncrated Dimensions(in.)			Shipping Weight (lbs.)	Sound** Rating	MCA*	Max. Fuse*	Line Size	
			H	W	D					OD Gas	OD Liq.
4A6H3018B1000A	208/230/1/60	19,000	29	33	30	173	76	9	15	5/8	3/8
4A6H3024B1000A	208/230/1/60	24,000	29	33	30	176	75	12	20	5/8	3/8
4A6H3030B1000A	200/230/1/60	29,400	33	33	30	193	76	15	25	3/4	3/8
4A6H3036B1000A	208/230/1/60	34,800	33	37	34	227	75	21	35	3/4	3/8
4A6H3042B1000A	208/230/1/60	41,500	33	37	34	219	75	26	45	3/4	3/8
4A6H3048B1000A	208/230/1/60	47,000	37	37	34	234	75	28	50	7/8	3/8
4A6H3060B1000A	208/230/1/60	57,500	41	37	34	248	75	34	60	7/8	3/8



Heritage 13 (4A6H3-A)

Table SH-3-B— Heritage 13 Split System Heat Pump — Single Phase

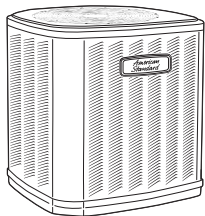
Model Number	Power Supply	Nom. Cap. Cooling (BTUH)	Uncrated Dimensions(in.)			Shipping Weight (lbs.)	Sound** Rating	MCA*	Max. Fuse*	Line Size	
			H	W	D					OD Gas	OD Liq.
4A6H3018A1000A	200/230/1/60	17,000	29	33	30	214	76	10	15	1/2	1/4
4A6H3024A1000A	200/230/1/60	23,000	29	33	30	217	76	12	20	5/8	5/16
4A6H3030A1000A	200/230/1/60	28,500	37	33	30	231	76	15	25	3/4	5/16
4A6H3036A1000A	208/230/1/60	34,500	37	37	34	271	75	21	35	3/4	3/8
4A6H3042A1000A	208/230/1/60	40,500	37	37	34	272	75	25	40	3/4	3/8
4A6H3048A1000A	208/230/1/60	46,500	41	37	34	285	76	30	50	7/8	3/8
4A6H3060A1000A	208/230/1/60	58,500	41	37	34	308	76	36	60	7/8	3/8



American Standard 14 (4A6B4)

Table SH-3-C— American Standard 14 Split System Heat Pump — Single Phase

Model Number	Power Supply	Nom. Cap. Cooling (BTUH)	Uncrated Dimensions(in.)			Shipping Weight (lbs.)	Sound** Rating	MCA*	Max. Fuse*	Line Size	
			H	W	D					OD Gas	OD Liq.
4A6B4018E1000A	208/230/1/60	18,000	33	37	34	262	76	10	15	1/2	3/8
4A6B4024E1000A	208/230/1/60	24,000	33	37	34	265	76	12	20	5/8	3/8
4A6B4030E1000A	208/230/1/60	30,000	41	37	34	281	78	15	25	3/4	3/8
4A6B4036E1000A	208/230/1/60	36,000	41	37	34	283	76	20	35	3/4	3/8
4A6B4042E1000A	208/230/1/60	42,000	41	37	34	313	78	27	45	3/4	3/8
4A6B4048E1000A	208/230/1/60	48,000	45	37	34	331	78	29	50	7/8	3/8
4A6B4049E1000A	208/230/1/60	48,000	45	37	34	331	76	30	50	7/8	3/8
4A6B4060E1000A	208/230/1/60	60,000	45	37	34	332	78	35	60	7/8	3/8
4A6B4061E1000A	208/230/1/60	60,000	45	37	34	332	76	36	60	1 1/8	3/8



American Standard 13 (4A6B3)

Table SH-3-D— American Standard 13 Split System Heat Pump — Single Phase

Model Number	Power Supply	Nom. Cap. Cooling (BTUH)	Uncrated Dimensions(in.)			Shipping Weight (lbs.)	Sound** Rating	MCA*	Max. Fuse*	Line Size	
			H	W	D					OD Gas	OD Liq.
4A6B3018A1000B	200/230/1/60	17,000	29	33	30	221	79	10	15	1/2	3/8
4A6B3024A1000B	200/230/1/60	23,000	29	33	30	224	81	12	20	5/8	3/8
4A6B3030A1000B	200/230/1/60	28,500	37	33	30	237	80	15	25	3/4	3/8
4A6B3036A1000B	208/230/1/60	34,500	37	37	34	277	79	21	35	3/4	3/8
4A6B3042A1000B	208/230/1/60	40,500	37	37	34	278	80	25	40	3/4	3/8
4A6B3048A1000B	208/230/1/60	46,500	41	37	34	291	78	30	50	7/8	3/8
4A6B3060A1000B	208/230/1/60	58,500	41	37	34	314	78	36	60	7/8	3/8

* Information subject to change. Please confirm with current Product Data/Service Facts for current factory production.

** Rated in accordance with AHRI Standard 270-2008.

Split System Heat Pumps Single Phase – 1½-5 Tons

Heritage and American Standard

Table SH-4-A — Features	13 (4A6H3-B)	13 (4A6H3-A)	14 (4A6B4)	13 (4A6B3)
• SEER up to	14.00	14.00	16.00	14.00
• HSPF up to	9.00	9.00	8.50	8.50
• Duration™ compressor	✓	✓	✓	✓
• Comfort-R™ mode approved	✓	✓	✓	✓
• DuraBase™ base, fast complete drain, weatherproof	✓	✓	✓	✓
• Easy-Sess™ cabinet, service access & refrigerant connections with full coil protection	✓	✓	✓	✓
• Spine Fin™ coil	✓	✓	✓	✓
• Compressor sump heat - factory installed	—	2-5	✓	—
• Demand Defrost Control w/ Lite Port™ /Stored Diagnostics	✓	✓	✓	✓
• Quick start kit-factory installed	1½-3,5	1½-2½,5	1½-2½,5	1½-2½ Only
• Low Pressure Switch	✓	✓	✓	✓
• Factory supplied charge	R-410A	R-410A	R-410A	R-410A
• Glossy corrosion resistant finish	✓	✓	✓	✓
• High pressure switch	✓	✓	✓	✓
• Internal high / low pressure & temperature protection	✓	✓	✓	✓
• Liquid line filter drier - factory installed	✓	✓	✓	✓
• Polyslate gray cabinet	—	✓	✓	✓
• Spinnaker gray cabinet	✓	—	—	—
• 10-year registered limited warranty on compressor, outdoor coil & all other functional parts[Ⓞ] (Residential Use)[Ⓞ]	✓	✓	—	—
• 10-year registered limited warranty on compressor, 5-year on outdoor coil & all other functional parts (Residential Use)[Ⓞ]	—	—	✓	✓
• Extended warranties available	✓	✓	✓	✓

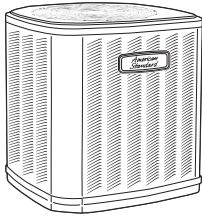
Table SH-4-B — Optional Accessories

Model Number	Description	Shipping Weight				
AY28X084.....	Evaporator Defrost Control	1	✓	✓	✓	✓
BAYCCHT300	Crankcase Heater Kit (Reciprocating)	1	1½-3	1½-2½	—	1½-2½
BAYCCHT301	Crankcase Heater Kit (Scroll)	1	3½-5	—	—	3-5
BAYECMT023	Extreme Conditions Mounting Kit (Base 2/3)	2	1½-2½	1½-2½	—	1½-2½
BAYECMT004	Extreme Conditions Mounting Kit (Base 4)	2	3-5	3-5	✓	3-5
BAYINS001.....	Insulation Kit.....	✓	✓	✓	✓	✓
BAYISLT101	Rubber Isolators.....	1	✓	✓	✓	✓
BAYSKT260	Start kit (Scroll).....	1	3½-4	—	3-4	3-4,5
BAYLEGS002A	Snow Legs Base and Cap 6" High (Black)	1	✓	✓	✓	✓
BAYLEGS003A	4" Extension (Black)	1	✓	✓	✓	✓
BAYLOAM103	Low Ambient Kit	1	✓	✓	✓ [Ⓟ]	✓
BAYSEAC001	Seacoast Kit	1	✓	✓	✓	✓
TAYASCT501A [Ⓞ] ②	Anti-Short Cycle Timer	2	✓	✓	✓	✓
TAYPLUS103A	Heat Pump Control Kit	3	✓	✓	✓	✓
PAI00309 [Ⓟ]	Heresite Spraypaint.....	1	✓	✓	✓	✓

Comfort Controls — See Comfort Controls/Zone Sensors Section

- ① Not for use with programmable thermostats.
- ② Activated on Power Off.
- ③ Registered Limited Warranty terms are available when you register within 60 days of installation. You can register online at americanstandardair.com or by phone at 800-554-8005; otherwise American Standard Heating & Air Conditioning's Base Limited Warranty terms will apply. Base Limited Warranty information on specific products can be found on ASDealerNet.com.
- ④ The ten year Functional Parts Limited Warranty extends to the indoor gas or oil furnace, coil, air handler and thermostat when installed as part of a complete Heritage comfort system. A Heritage comfort system includes an AHRI certified matching American Standard outdoor Heritage unit, indoor unit and thermostat installed at the same time.
- ⑤ For operation to 20°F outdoor ambient.
- ⑥ Used for additional seacoast corrosion protection. Refer to bulletin number UN-SVB11A-EN for application information.

Split System Heat Pumps Three Phase – 2½-6 Tons



13 SEER

Table SH-5-A — 13 SEER Split System Heat Pump - Three Phase

Model Number	Power Supply	Nom. Cap. Cooling (BTUH)	Uncrated Dimensions(in.)			Shipping Weight (lbs.)	Sound** Rating	MCA*	Max. Fuse*	Line Size	
			H	W	D					OD Gas	OD Liq.
4A6C3030A3000B	200/230/3/60	30,000	37	33	30	233	80	11	15	¾	5/16
4A6C3036A3000B	200/230/3/60	36,000	37	37	34	264	79	16	25	¾	3/8
4A6C3042A3000B	200/230/3/60	42,000	37	37	34	269	80	18	30	¾	3/8
4A6C3048A3000B	200/230/3/60	48,000	41	37	34	277	78	21	35	7/8	3/8
4A6C3060A3000B	200/230/3/60	60,000	41	37	34	297	78	24	40	7/8	3/8
4A6C3030A4000B	460/3/60	30,000	37	33	30	231	80	5	15	¾	5/16
4A6C3036A4000B	460/3/60	36,000	37	37	34	263	79	7	15	¾	3/8
4A6C3042A4000B	460/3/60	42,000	37	37	34	268	80	9	15	¾	3/8
4A6C3048A4000B	460/3/60	48,000	41	37	34	276	78	9	15	7/8	3/8
4A6C3060A4000B	460/3/60	60,000	41	37	34	296	78	12	20	7/8	3/8

* Information subject to change. Please confirm with current Product Data/Service Facts for current factory production.

** Rated in accordance with AHRI Standard 270-2008.

Split System Heat Pumps Three Phase – 2½-6 Tons

Table SH-6-A — Features	13 (4A6C3)
• SEER up to	13.00
• HSPF up to	8.50
• Duration™ compressor	✓
• Comfort-R™ mode approved	✓
• DuraBase™ base, fast complete drain, weatherproof	✓
• Easy-Sess™ cabinet, service access & refrigerant connections with full coil protection	✓
• Spine Fin™ coil	✓
• Compressor sump heat - factory installed	✓
• Demand Defrost Control w/ Lite Port™ /Stored Diagnostics	✓
• Factory supplied charge	R-410A
• Glossy corrosion resistant finish	✓
• Liquid line filter drier - factory installed	✓
• Low pressure switch	✓
• Internal high / low pressure & temperature protection	✓
• Polyslate gray cabinet	✓
• 5-year limited warranty on compressor, outdoor coil & 1-year on all other functional parts (Commercial Use)	✓
• 5-year limited warranty on compressor, outdoor coil & 5-year on all other functional parts (Residential Use)	✓
• Extended warranties available	✓

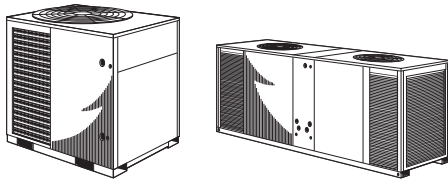
Table SH-6-B — Optional Accessories

Model Number	Description	Shipping Weight	
AY28X084.....	Evaporator defrost control	1	✓
BAYECMT023	Extreme Conditions Mounting Kit (Base 2/3)	2	2½
BAYECMT004	Extreme Conditions Mounting Kit (Base 4)	2	3-5
BAYINS001.....	Insulation Kit.....		✓
BAYISLT101	Rubber Isolators.....	1	✓
BAYLEGS002.....	Snow Legs - Base and Cap - 6" (Black).....	1	✓
BAYLEGS003	4" Extension (used with BAYLEGS002) (Black).....	1	✓
BAYLOAM103	Low Ambient Kit	1	✓
BAYSEAC001.....	Seacoast Kit	1	✓
TAYASCT501A①②	Anti-Short Cycle Timer	2	✓
PAI00309③	Heresite Spraypaint.....	1	✓

Comfort Controls — See Comfort Controls/Zone Sensors Section

- ① Do not use with programmable thermostats.
- ② Activated on Power Off.
- ③ Used for additional seacoast corrosion protection. Refer to bulletin number UN-SVB11A-EN for application information.

Split System Heat Pumps Three Phase – 6-20 Tons, R-410A



TWA – 6-20 Tons

- ReliaTel™ controls (standard)
- (1) Scroll compressor (TWA073-120D)
- (2) Scroll compressors (TWA128-240E) with independent refrigerant circuits
- Single point power
- Compressor motor overload protection
- Compressor discharge temperature limit switch
- Control transformer
- High and low pressure cut-out switches
- Liquid line filter drier, factory installed
- Service valves with pressure taps
- Demand Defrost Control
- Internal pressure relief valves
- Electrical phase reversal protection
- Holding charge (Dry Nitrogen)
- Copper tube, aluminum plate fin coils
- Low ambient cooling to 50°F as shipped
- Low ambient cooling to 0°F with accessory head pressure control
- Mounting/lifting rails under base
- UL listed
- **5-year compressor warranty (TWA073D, TWA090D, TWA120D, TWA180E)**
- **1-year compressor warranty (TWA240E)**
- **1-year limited parts warranty**
- **Optional Extended Warranties**

1 2 3 4 5 6 7 8 9 10 11 12
T W A 0 9 0 D 3 0 0 A 0

Compressor Type

D = Single Compressor/Single Refrigerant Circuit, R-410A
E = Dual Compressor/Dual Refrigerant Circuit, R-410A

Factory-Installed Options

OR = ReliaTel™ Controls
OT = ReliaTel™ Controls and Black Epoxy Coated Coil

1 2 3 4 5 6 7 8 9 10 11 12
T W A 0 9 0 D 3 0 0 A 0

Compressor Type

D = Single Compressor/Single Refrigerant Circuit, R-410A
E = Dual Compressor/Dual Refrigerant Circuit, R-410A

Factory-Installed Options

HR = Hail Guard and ReliaTel™ Controls
HT = Hail Guard and ReliaTel™ Controls with Black Epoxy Coated Coil

Table SH-7-A — TWA Split System Heat Pumps — Single Compressors with Single Refrigerant Circuits — R-410 Refrigerant

Model Number	Power Supply	Nom. Cap. Cooling (BTUH)	Uncrated Dimensions(in.)			Shipping Weight (lbs.)	Sound ^① Rating	MCA*	Max. Fuse*	Line Size (in)	
			H	W	L					OD Gas	OD Liq.
TWA073D30RA	208-230/3/60	78,000	39	36	42	382	84	31.1	40	1 1/8	1/2
TWA090D30RA	208-230/3/60	90,000	39	36	42	394	83	34.4	45	1 3/8	5/8
TWA120D30RA	208-230/3/60	120,000	45	40	52	509	90	42.6	60	1 3/8	1/2
TWA073D40RA	460/3/60	78,000	39	36	42	382	84	14.9	20	1 1/8	1/2
TWA090D40RA	460/3/60	90,000	39	36	42	394	83	17.9	25	1 3/8	5/8
TWA120D40RA	460/3/60	120,000	45	40	52	509	90	23.4	30	1 3/8	1/2
TWA073DW0RA	575/3/60	78,000	39	36	42	382	84	11.6	15	1 1/8	1/2
TWA090DW0RA	575/3/60	90,000	39	36	42	394	83	14.7	20	1 3/8	5/8
TWA120DW0RA	575/3/60	120,000	45	40	52	509	90	17.4	25	1 3/8	1/2

Table SH-7-B — TWA Split System Heat Pumps — Dual Compressors with Two Sets of Refrigerant Circuits — R-410 Refrigerant

Model Number	Power Supply	Nom. Cap. Cooling (BTUH)	Uncrated Dimensions(in.)			Shipping Weight (lbs.)	Sound ^① Rating	MCA*	Max. Fuse*	Line Size (in)	
			H	W	L					OD Gas	OD Liq.
TWA180E30RA	208-230/3/60	180,000	46	45	95	898	93	66.3	80	1 3/8	1/2
TWA240E30RA	208-230/3/60	246,000	46	45	95	981	94	86.1	100	1 3/8	5/8
TWA180E40RA	460/3/60	180,000	46	45	95	898	93	33.4	40	1 3/8	1/2
TWA240E40RA	460/3/60	246,000	46	45	95	981	94	45.5	50	1 3/8	5/8
TWA180EW0RA	575/3/60	180,000	46	45	95	898	93	27.4	30	1 3/8	1/2
TWA240EW0RA	575/3/60	246,000	46	45	95	981	94	34.8	40	1 3/8	5/8

① Sound rating show is tested in accordance with AHRI Standard 270 or 370.

* Information subject to change. Please confirm with current Product Data/Service Facts for current factory production.

Split System Heat Pumps – Accessories Three Phase – 6-20 Tons, R-410A

Table SH-8-A — R-410A Optional Accessories

Model Number	Description	Used With
Coil Guard		
BAYGARD058A	Hail/Vandal Guard	TWA 073D,090D
BAYGARD060A	Hail/Vandal Guard	TWA120D
BAYGARD061A	Hail/Vandal Guard	TWA180E,240E
Isolators		
BAYISLT005A	Rubber Isolator Floor (black)	TWA073D-TWA120D
BAYISLT009A	Rubber Isolator Floor (red)	TWA180E
BAYISLT010A	Rubber Isolator Floor (green)	TWA240E
BAYISLT023A	Steel Spring Isolator Floor (red)	TWA073D, TWA090D, TWA120D
BAYISLT024A	Steel Spring Isolator Floor (black)	TWA180E
BAYISLT025A	Steel Spring Isolator Floor (yellow)	TWA240E
Low Ambient		
BAYLOAMU01A ^{①②③}	On/Off Fan Control Mounted in External Enclosure (small cabinets)	TWA073D-090D (all voltages)
BAYLOAMU02A ^{②③}	On/Off Fan Control Mounted in Unit Control Box (large cabinets)	TWA120D-240E (all voltages)
BAYLOAM335A ^{③④}	Modulating ICM Head Pressure Control w/ 208-230V 0.5 HP Hi-Eff Motor (internal mount)	TWA073D, TWA090D3
BAYLOAM336A ^{③④}	Modulating ICM Head Pressure Control w/ 208-230V 1 HP Hi-Eff Motor (internal mount)	TWA120D3
BAYLOAM435A ^{③④}	Modulating ICM Head Pressure Control w/ 460V 0.5 HP Hi-Eff Motor (internal mount)	TWA073D4, TWA090D4
BAYLOAM436A ^{③④}	Modulating ICM Head Pressure Control w/ 460V 1.0 HP Hi-Eff Motor (internal mount)	TWA120D4
BAYLOAMW36A ^{③④}	Modulating ICM Head Pressure Control w/ 575V 1.0 HP Hi-Eff Motor (internal mount)	TWA120DW
Time Delay Relay		
BAYRLAY002	Time Delay Relay	TWA090D-TWA240E
BAYRLAY005	Heat Pump interlock relay	All TWA Units with BAYLOAM Application Requirements
Wire Kit		
BAYWRKT003A ^⑤	Heat Pump configuration wiring harness	TWA180E, TWA240E

① Kit mounts external to the outdoor unit and operates by sensing ambient and liquid line temperatures.

② Cycles fan on/off, (no modulating).

③ Quantity of 1 required for each fan (2 total for TTA/TWA180-240).

④ Heat pumps require BAYRLAY005 when modulating BAYLOAM kits are selected.

⑤ Used on Dual circuit HP condensers with a field installed LCI card for independent mechanical heating operation configuration.

Split System Heat Pumps Three Phase – 6-20 Tons

Table SC-9-A — ReliaTel™ Control Options

Model Number	Description	Used With
ASYSTAT107A	Zone Sensor, Set Point Adj, Fan, System, EH, LED	TWA073-TWA240 with ReliaTel™ Controls
ASYSTAT109A	Zone Sensor, 2 Set Point Adj, Fan, System, EH, LED	TWA073-TWA240 with ReliaTel™ Controls
ASYSTAT777A	Digital Programmable Zone Sensor with Night Setback	TWA073-TWA240, TTA073-TTA240 with ReliaTel™ Controls
BAYSENS050①	Wireless Zone Sensor	TWA073-TWA240 with ReliaTel™ Controls
BAYSENS073A	Room Sensor w/ Override and Cancel Button	TWA073-TWA240 with ReliaTel™ Controls
BAYSENS074A	Room Sensor w/ Temperature Adjustment and Override Button	TWA073-TWA240 with ReliaTel™ Controls
BAYSENS077A	Remote Sensor	ASYSTAT107A, ASYSTAT109A, ASYSTAT777A
BAYSENS110A	Dual Set Point w/ Manual/Auto Change Over	TWA073-TWA240 with ReliaTel™ Controls

Table SC-9-B — Electromechanical Control Options

Model Number	Description	Used With
ASYSTAT092A	2H/2C Touch Screen Digital Display Programmable Thermostat "Touch Screen"	All
ASYSTAT093A	3H/2C Digital Display Programmable Thermostat W/Humidity Sensor	All

① Kit comes with everything required for installation and operation.

6 - 20 Tons with ReliaTel™ Controls TWA073, TWA090, TWA120, TWA180, TWA240

Protection/Operation Timings and Features

Anti Short Cycle Timer (ASCT) Function — Provides a three (3) minute minimum “ON” time and a three (3) minute minimum “OFF” time for compressors, enhances compressor reliability by ensuring proper oil return. **Standard**

Built In Fan Delay Relay (FDR) Function — Provides custom indoor fan timing sequences for the different types of equipment, enhancing efficiency and reliability. **Standard**

Built In Night Set Back and Unoccupied Functions① — When using a standard dual setpoint/auto change over Zone Sensor Module (ZSM), this function is enabled by applying a short across terminal J6-11 and J6-12. Sets cooling setpoint up a minimum of 7°F, sets heating setpoint back a minimum of 7°F, and forces fan operation to automatic. **(requires time clock accessory or field supplied/installed switch or contacts).**

Built In “TEST” Mode — Aids in quick verification of system and control operation, exercises both hardware and software (no special tools required). **Standard**

Built In Unoccupied Mode① — When using a standard single setpoint/manual change over Zone Sensor Module (ZSM), this function is enabled by applying a short across terminal J6-11 and J6-12. Forces fan operation to automatic. **(requires time clock accessory or field supplied/installed switch or contacts.)**

Direct Digital Control (DDC)① — Proportional Integral (PI) control. Proportional – sets corrective action proportional to deviation from setpoint. Integral – fine tunes the rate of corrective action proportional to the error (results in superior space temperature control). **Standard**

Increased Reliability — Fewer components (moving electro-mechanical parts), less likelihood of equipment down time or failure. **Standard**

Integral Electric Heat Staging① — Stages electric heaters “OFF” and “ON”, eliminating the use of outdated sequencers. **Standard**

Intelligent Fallback① — A built in Default Control provides adaptive operation, which allows the equipment to continue to operate, providing comfort in the event of certain component failures. Also, allows emergency operation without a Zone Sensor Module (ZSM). **Standard**

Low Ambient Start Timer (LAST) Function — Bypasses low pressure control when a compressor starts, eliminating nuisance compressor lock outs. **Standard**

Lower Installation Cost — Using a standard Zone Sensor Module (ZSM), control voltage wiring may be run up to five (5) times further than any electromechanical system, with no increase in wire gauge. Example: Electromechanical System – 30 feet maximum using 22 gauge wire. Micro Control System – 150 feet using 22 gauge wire. **Standard**

On Board Diagnostics① — Assist with equipment troubleshooting, if a problem occurrence should take place. **Standard**

Remote Sensing① — All standard Zone Sensor Modules (ZSMs) have remote sensing capabilities, typically achieved by using an expensive program-mable thermostat and remote sensor with electromechanical equipment. **Accessory (requires use of remote sensor).**

Space Temperature Averaging① — All standard Zone Sensor Modules (ZSMs) have space temperature averaging capabilities, typically achieved by using an expensive programmable thermostat and minimum of four (4) remote sensors with electromechanical equipment. **Averaging with ReliaTel™ can be achieved with two (2) sensors.**

Time Delay Relay (TDR) Function — Provides an incremental staging delay between compressors, minimizes equipment current inrush and consumption by keeping compressors from starting simultaneously. **Standard**

Low Pressure and High Pressure Compressor Lockout — 3 trips will lockout control.

When the ReliaTel™ RTRM Thermostat Interface is used, equipment operation differs significantly. The basic equipment protection features remain intact, and the following features and benefits are lost:

- Direct Digital Control (DDC) – Proportional Integral (PI) control is lost, equipment is controlled by a thermostat or generic building automation system device.
- Intelligent Fall back is lost, if a failure occurs in the device controlling the equipment, operation will cease.
- Installation is more costly, with the addition of a thermostat or generic control, the control wiring size must be increased.
- Remote Sensing capabilities are lost, unless generic control being applied can accomplish this.
- Space Temperature Averaging capabilities are lost, unless generic control being applied can accomplish this.
- Built In Night Set Back and Unoccupied functions are lost, unless generic control being applied can accomplish this.
- Built In Unoccupied Mode is lost, unless generic control being applied can accomplish this.

Demand Defrost — Defrosts only if needed, not based on time like most other systems, optimizing and lowering operating costs.

① Denotes features lost from utilizing standard conventional stat.

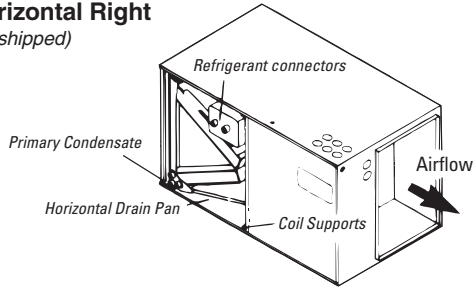
Air Handler Convertibility

One Unit – 4 Applications

Conversion 1 – 4

Horizontal Right

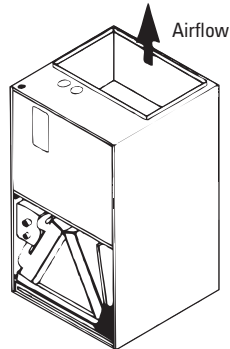
(as shipped)



Vertical Upflow

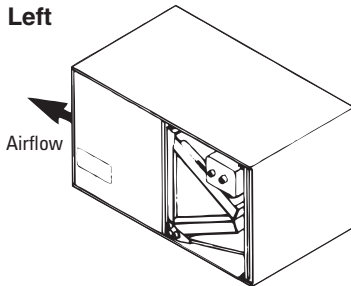
(as shipped)

One-Step Conversion
Stand unit on end



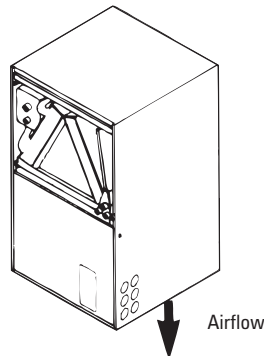
Horizontal Left

Rotate Coil



Vertical Downflow

One-Step Conversion
from Horizontal left



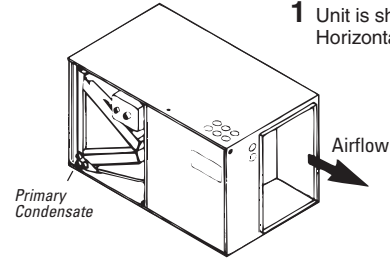
Six Conversion Applications

1. Horizontal Right – Front Access
2. Vertical Upflow
3. Horizontal Left – Front Access
4. Vertical Downflow
5. Horizontal Right – Rear Access
6. Horizontal Left – Rear Access

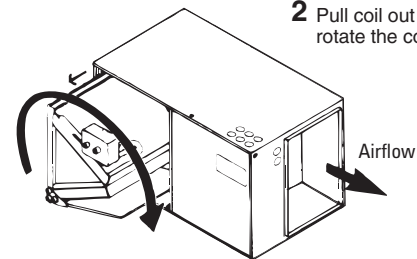
Easy Conversion to Opposite Side Access

Conversion 5 – 6

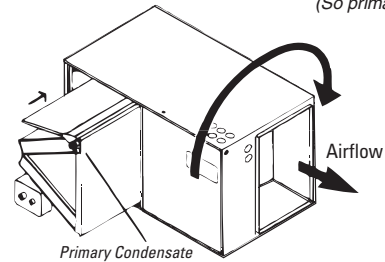
1 Unit is shipped as Horizontal right



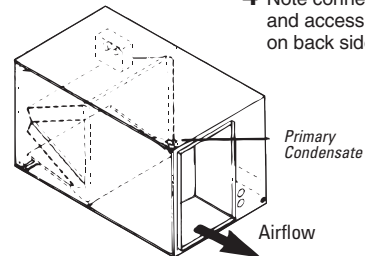
2 Pull coil out and rotate the coil 180



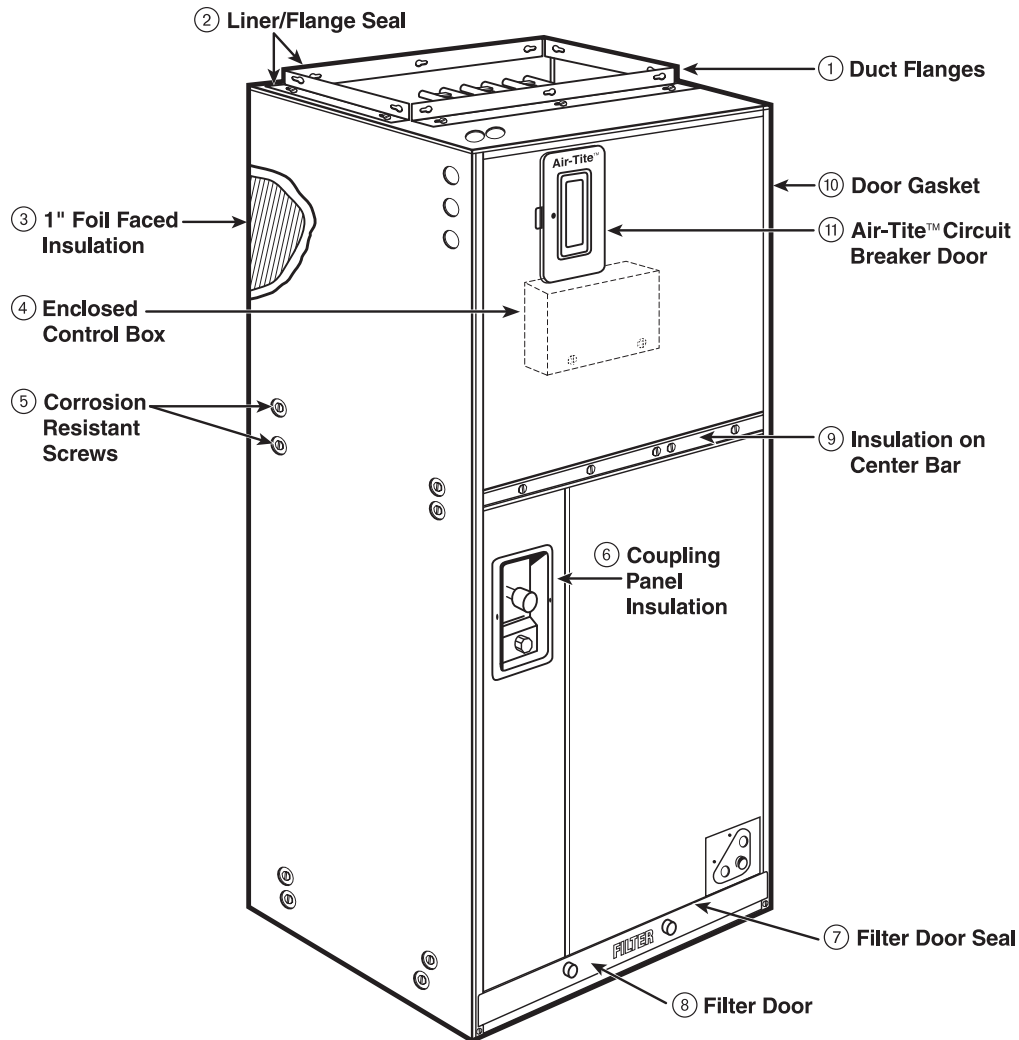
3 Slide coil back in on supports and roll unit 180
(So primary condensate is down)



4 Note connections and access are now on back side of unit

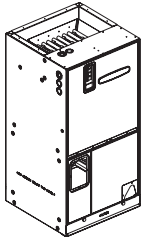


Air-Tite™ Features and Benefits



- ① **Duct Flange** – Allows flush fit for 3/4", 1" or 1 1/2" duct insulation.
- ② **Liner/Flange Seal** – Exclusive Duct Flange Thermal Break/Seal and double wall construction to reduce cabinet loss and sweating.
- ③ **1" Foil Faced Insulation** – Thicker foil faced insulation for reduced cabinet loss, sweating and lower power bills.
- ④ **Enclosed Control Box** – Totally enclosed control box with transformer inside to improve component life, unit durability and reliability.
- ⑤ **Corrosion Resistant Screws** – Exclusive Weatherguard™ coated screws to maintain the quality appearance of the unit for the life of the product.
- ⑥ **Coupling Panel Insulation** – Exclusive "No Burn" refrigerant coupling panel with thicker insulation for reduced heat loss.
- ⑦ **Filter Door Seal** – Improved door seal for reduced air infiltration, heat transfer, and lower power bills.
- ⑧ **Filter Door** – "Filter" is stamped on the panel, and includes two captive screws with easy grip knobs.
- ⑨ **Insulation on Center Bar** – Exclusive center bar insulation for reduced cabinet loss, sweating and lower power bills.
- ⑩ **Door Gasket** – Exclusive formed gasket (similar to car door gasket) to reduce air infiltration and heat transfer and lower power bills.
- ⑪ **Air-Tite™ Circuit Breaker Door** – Easy access to breakers with positive air seal.

Variable Speed Convertible Communicating Air Handlers



4TEE3C01-10

Table AH-3-A — Variable Speed R-410A Air-Tite™ with Comfort-R™ Enhanced Mode Option 200-230/1/60^{③④⑤⑥}

Unit Model No.	Cooling Capacity (Btuh)	Dimensions (in.) H x W x D	Shipping Weight (lbs.)	Supply Opening ^{①②}	Return Opening ^①	Filter Sizes	Line Size	
							Gas	Liquid
4TEE3C01A1000A	31,000	43x21.5x21	142	18.22x11.02	19.5x18.07	20x20x1	3/4	3/8
4TEE3C02A1000A	37,000	45x23.5x21	142	20.22x11.02	21.5x18.07	20x20x1	3/4	3/8
4TEE3C03A1000A	24,000	57.9x23.5x21	165	20.22x11.02	21.5x18.07	20x20x1	5/8	3/8
4TEE3C04A1000A	36,000	57.9x23.5x21	165	20.22x11.02	21.5x18.07	20x20x1	3/4	3/8
4TEE3C05A1000A	40,000	51.75x26x21	174	22.72x11.02	24x18.07	20x25x1	3/4	3/8
4TEE3C06A1000A	48,000	57.9x23.5x21	170	20.22x11.02	24x18.07	20x20x1	3/4	3/8
4TEE3C07A1000A	49,000	57.9x26x21	188	22.72x11.02	21.5x18.07	20x25x1	3/4	3/8
4TEE3C08A1000A	64,000	57.9x23.5x21	170	20.22x11.02	21.5x18.07	20x22x1	3/4	3/8
4TEE3C09A1000A	65,000	62.75x26x21	218	22.72x11.02	24x18.07	20x25x1	3/4	3/8
4TEE3C10A1000A	65,000	62.75x26x21	218	22.72x11.02	24x18.07	20x25x1	3/4	3/8

① Actual opening does not include flange.

② Adjustable duct flange allows for a flush fit with 1½ inch insulation or ¾ inch or 1 inch insulation.

③ Variable fan speed.

④ Metering Device = TXV-NB.

⑤ Must use ACONT900 comfort control in communicating mode.

⑥ Field convertible to 24V non-communicating.

See Heater Tables on Pages AH-14-15

4TEE3C01-10

Table AH-4-A — Features

• 1" thick foil face insulated cabinet	✓
• 200/230 volt primary & 24 volt secondary transformer	✓
• Access to heater circuit breakers / pull disconnects	✓
• Built-in indoor fan delay function for increased efficiency	✓
• AccuLink™ - system.....	✓
• User interface for system configuration - Easy to use navigation buttons and plain text for clear description of features	✓
• Service diagnostics with faults reported at the user interface.....	✓
• Humidifier/EAC hook-up capability	✓
• Comfort-R™ enhanced dehumidification start-up	✓
• Compact 21" depth	✓
• Corrosion resistant galvanized metal with attractive finish	✓
• Easy Air-Tite™ access to coil	✓
• Electrical, refrigerant, condensate & blower access convertible to either side	✓
• Energy savings continuous fan	✓
• Enhanced cooling/heating control.....	✓
• Exclusive duct flange thermal break/seal.....	✓
• External brazed refrigerant connections	✓
• Filter panel with door seal	✓
• Internally checked Non-Bleed Thermal Expansion Valve	✓
• Internally enhanced finned coil tubing	✓
• Low voltage terminal board	✓
• Meets or exceeds Florida's 2% leakage criteria	✓
• Polarized plugs for making motor and transformer electrical connections from air handler control box to electric heaters	✓
• Primary and secondary drain connections	✓
• Serial communicating ECM motor	✓
• Ships vertical - converts to horizontal by laying on side	✓
• Six-way convertibility - upflow & horizontal, right, front & rear access; downflow and horizontal left with kit	✓
• Soft start - ON cycle fan speed is increased gradually to reduce sound and drafts	✓
• Uses 1400 & 3400 series heaters.....	✓
• Versatile duct flange - allows flush fit 3/4", 1" or 1.5" duct insulation.....	✓
• 10-year registered limited warranty on coil and all other functional parts (Residential Use)®	✓
• Optional extended warranties available	✓

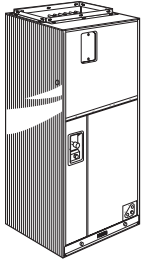
Table AH-4-B — Optional Accessories

Model Number	Description	Shipping Weight	
AY28X079.....	Evaporator Defrost Control.....	1	✓
AY28X084.....	Evaporator Defrost Control.....	1	✓
BAY99X123②.....	Knockout Cover Plate③.....		✓
BAYSPEK140B.....	Single Power Entry Kit.....	5	✓
TAYBASE100.....	Downflow Subbase.....	16	02
TAYBASE101.....	Downflow Subbase.....	16	01
TAYBASE102.....	Downflow Subbase.....	16	05,07,09
TAYPLNM100④.....	Pedestal Plenum Upflow	10	01,02
TAYPLNM101.....	Pedestal Plenum Upflow	10	05-10
BAYPLNM120④.....	Pedestal Plenum Upflow		✓
TASB215④⑤.....	21.5" Cabinet Mounting Stand		01
TASB235④⑤.....	23.5" Cabinet Mounting Stand		02-04,06,08
TASB260④⑤.....	26" Cabinet Mounting Stand		05,07,09-10

Comfort Controls — See Comfort Controls/Zone Sensors Section

- ① 4TEE3C01,02;2TEE3C31A-center on plenum for 2" difference in width.
- ② Minimum order 1 unit (1 unit = 50 pieces).
- ③ Required if no electric heat is used.
- ④ BAYPLNM120 or TASB stand is required for upflow air handler with open air return.
- ⑤ Must be used with air handlers with IFD. Purchase direct from Miami Tech Inc., 800-339-2290, www.miamitech.com.
- ⑥ Registered Limited Warranty terms are available when you register within 60 days of installation. You can register online at americanstandardair.com or by phone at 800-554-8005; otherwise American Standard Heating & Air Conditioning's Base Limited Warranty terms will apply. Base Limited Warranty information on specific products can be found on ASDealerNet.com.

Variable Speed Convertible Air Handlers 2½-5 Tons



4TEE3F

Table AH-5-A — Variable Speed R-410A Air-Tite™ with Comfort-R™ Enhanced Mode Option 200-230/1/60^{③④}

Unit Model No.	Cooling Capacity (Btuh)	Dimensions (in.) H x W x D	Shipping Weight (lbs.)	Supply Opening ^{①②}	Return Opening ^①	Filter Sizes	Line Size	
							Gas	Liquid
4TEE3F31B1000B	31,000	43x21.5x21	134	18.22x11.02	19.5x18.07	20x20x1	¾	5/16
4TEE3F37B1000B	37,000	45x23.5x21	142	20.22x11.02	21.5x18.07	20x20x1	¾	3/8
4TEE3F40B1000B	40,000	51.8x26x21	174	22.72x11.02	24x18.07	20x25x1	¾	3/8
4TEE3F49C1000B	49,000	57.9x26x21	188	22.72x11.02	24x18.07	20x25x1	¾	3/8
4TEE3F65B1000B ^⑤	65,000	62.8x26x21	218	22.72x11.02	24x18.07	20x25x1	7/8	3/8
4TEE3F66A1000B ^⑤	60,000	62.8x26x21	218	22.72x11.02	24x18.07	20x25x1	7/8	3/8

Table AH-5-B — Dual Circuit-Variable Speed R-410A Air-Tite™ with Comfort-R™ Enhanced Mode Option 200-230/1/60^{③④}

Unit Model No.	Cooling Capacity (Btuh)	Dimensions (in.) H x W x D	Shipping Weight (lbs.)	Supply Opening ^{①②}	Return Opening ^①	Filter Sizes	Line Size	
							Gas	Liquid
4TEE3F62B1000A ^⑤	65,000	62.75x26x21	218	22.72x11.02	24x18.22	20x25x1	¾	3/8

Table AH-5-C — Variable Speed - with Vortica™ R-410A Air-Tite™ with Comfort-R™ Enhanced Mode Option 200-230/1/60^{③④}

Unit Model No.	Cooling Capacity (Btuh)	Dimensions (in.) H x W x D	Shipping Weight (lbs.)	Supply Opening ^{①②}	Return Opening ^①	Filter Sizes	Line Size	
							Gas	Liquid
4TEE3F39A1000A ^⑤	39,000	57.9x23.5x21	160	20.22x11.02	21.5x18.07	20x20x1	¾	3/8
4TEE3F48B1000A ^⑤	48,000	57.9x23.5x21	170	20.22x11.02	21.5x18.07	20x20x1	¾	3/8
4TEE3F64A1000A ^⑤	64,000	57.9x23.5x21	170	20.22x11.02	21.5x18.07	20x22x1	7/8	3/8

- ① Actual opening does not include flange.
- ② Adjustable duct flange allows for a flush fit with 1½ inch insulation or ¾ inch or 1 inch insulation.
- ③ Variable fan speed.
- ④ Metering Device = TXV-NB.
- ⑤ Two piece cabinet.
- ⑥ Mechanical connections on the TXV.

See Heater Tables on Pages AH-14-15

Variable Speed Convertible Air Handlers 2½-5 Tons

Table AH-6-A — Features		4TEEF31B-66 2½-5
• 1" thick foil face insulated cabinet		✓
• 200/230 volt primary & 24 volt secondary transformer		✓
• Access to heater circuit breakers / pull disconnects		✓
• Built-in indoor fan delay function for increased efficiency		✓
• Check valve for heat pump application		✓
• Comfort-R™ enhanced dehumidification start-up		✓
• Compact 21" depth		✓
• Corrosion resistant galvanized metal with attractive finish		✓
• Direct drive blower.....		✓
• Easy Air-Tite™ access to coil		✓
• Energy savings continuous fan		✓
• Enhanced cooling/heating control.....		✓
• Exclusive duct flange thermal break/seal.....		✓
• External brazed refrigerant connections		✓
• Filter panel with door seal		✓
• Internally checked Non-Bleed Thermal Expansion Valve		✓
• Internally enhanced finned coil tubing		✓
• Low voltage terminal board.....		✓
• Meets or exceeds Florida's 2% leakage criteria		✓
• Polarized plugs for making motor and transformer electrical connections from air handler control box to electric heaters		✓
• Primary and secondary drain connections		✓
• Ships vertical - converts to horizontal by laying on side		✓
• Six-way convertibility - upflow & horizontal, right, front & rear access; downflow and horizontal left with kit		✓
• Soft start - ON cycle fan speed is increased gradually to reduce sound and drafts		✓
• Uses 1400 series heaters		✓
• Variable speed ECM motor		✓
• Versatile duct flange - allows flush fit ¾", 1" or 1.5" duct insulation		✓
• 10-year registered limited warranty on coil and all other functional parts (Residential Use)®		✓
• Optional extended warranties available		✓

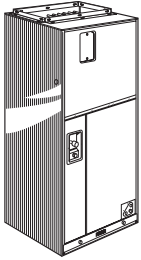
Table AH-6-B — Optional Accessories

Model Number	Description	Shipping Weight	
AY28X079.....	Evaporator Defrost Control.....	1	✓
AY28X084.....	Evaporator Defrost Control.....	1	✓
BAY99X123Ⓢ.....	Knockout Cover PlateⓈ.....		✓
BAYSPEK140B.....	Single Power Entry Kit.....	5	✓
TAYBASE100.....	Downflow Subbase.....	16	3
TAYBASE101.....	Downflow Subbase.....	16	2½
TAYBASE102.....	Downflow Subbase.....	16	3-5
TAYPLNM100Ⓢ.....	Pedestal Plenum Upflow	10	2½-3
TAYPLNM101.....	Pedestal Plenum Upflow	10	3-5
BAYPLNM120.....	Pedestal Plenum Upflow		✓
TASB215Ⓢ.....	21.5" Cabinet Mounting Stand		2½
TASB235Ⓢ.....	23.5" Cabinet Mounting Stand		3
TASB260Ⓢ.....	26" Cabinet Mounting Stand		3-5

Comfort Controls — See Comfort Controls/Zone Sensors Section

- ① 4TEEF31B-center on plenum for 2" difference in width.
- ② Minimum order 1 unit (1 unit = 50 pieces).
- ③ Required if no electric heat is used.
- ④ For TASB ordering information see page AH-4.
- ⑤ Registered Limited Warranty terms are available when you register within 60 days of installation. You can register online at americanstandardair.com or by phone at 800-554-8005; otherwise American Standard Heating & Air Conditioning's Base Limited Warranty terms will apply. Base Limited Warranty information on specific products can be found on ASDealerNet.com..

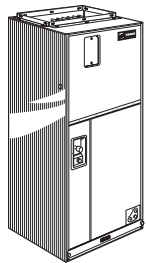
Split System Air Handlers Single Phase 1½-5 Tons



4TEH3F

Table AH-7-A — R-410A High Efficiency with Vortica® Fully Convertible (200-230/1/60)⑥⑦

Unit Model No.	Cooling Capacity (Btuh)	Dimensions (in.) H x W x D	Shipping Weight (lbs.)	Supply Opening ①②	Return Opening ①	Filter Sizes	Line Size	
							Gas	Liquid
4TEH3F18B1000A	18,000	43x21.5x21	114	18.22x11.02	19.5x18.07	20x20x1	5/8	1/4
4TEH3F24B1000A	24,000	43x21.5x21	121	18.22x11.02	19.5x18.07	20x20x1	3/4	5/16
4TEH3F30B1000A	30,000	45x21.5x21	121	18.22x11.02	19.5x18.07	20x20x1	3/4	5/16
4TEH3F36B1000A	36,000	45x21.5x21	135	18.22x11.02	19.5x18.07	20x20x1	7/8	3/8
4TEH3F42B1000A	42,000	51.8x23.5x21	165	20.22x11.02	21.5x18.07	20x20x1	7/8	3/8
4TEH3F48B1000A③④	48,000	57.9x23.5x21	188	20.22x11.02	21.5x18.07	20x20x1	7/8	3/8
4TEH3F60B1000A③④	60,000	57.9x23.5x21	193	20.22x11.02	21.5x18.07	20x22x1	7/8	3/8



4TEC3F

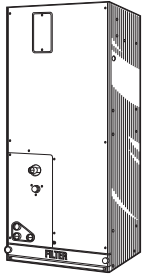
Table AH-7-B — R-410A Standard Efficiency Fully Convertible (200-230/1/60)⑦

Unit Model No.	Cooling Capacity (Btuh)	Dimensions (in.) H x W x D	Shipping Weight (lbs.)	Supply Opening ①②	Return Opening ①	Filter Sizes	Line Size	
							Gas	Liquid
4TEC3F18B1000A⑤	18,000	43x21.5x21	114	18.22x11.02	19.5x18.07	20x20x1	1/2	1/4
4TEC3F24B1000A⑤	24,000	43x21.5x21	121	18.22x11.02	19.5x18.07	20x20x1	5/8	5/16
4TEC3F30B1000A⑤	30,000	45x21.5x21	121	18.22x11.02	19.5x18.07	20x20x1	3/4	5/16
4TEC3F36B1000A⑤	36,000	45x21.5x21	135	18.22x11.02	19.5x18.07	20x20x1	3/4	3/8
4TEC3F42C1000A⑤	42,000	51.8x23.5x21	165	20.22x11.02	21.5x18.07	20x20x1	3/4	3/8
4TEC3F48B1000A③④⑤	48,000	57.9x23.5x21	188	20.22x11.02	21.5x18.07	20x20x1	7/8	3/8
4TEC3F55B1000A⑤	58,000	57.9x26x21	193	22.72x11.02	24x18.07	20x25x1	7/8	3/8
4TEC3F60B1000A③④⑤	60,000	57.9x23.5x21	193	20.22x11.02	21.5x18.07	20x22x1	7/8	3/8

- ① Actual opening does not include flange.
- ② Adjustable duct flange allows for a flush fit with 1½ inch insulation or ¾ inch or 1 inch insulation.
- ③ Two piece cabinet.
- ④ Two piece cabinet with Vortica™.
- ⑤ 3 fan speed.
- ⑥ 4 fan speed.
- ⑦ Metering Device = TXV-NB.

See Heater Tables on Pages AH-12-15

Split System Air Handlers Single Phase 1½-4 Tons



4TGB3F

Table AH-8-A — Vertical Upflow and Horizontal Left (200-230/1/60)^{③④}

Unit Model No.	Cooling Capacity (Btuh)	Dimensions (in.) H x W x D	Shipping Weight (lbs.)	Supply Opening ^{①②}	Return Opening ^①	Filter Sizes	Line Size	
							Gas	Liquid
4TGB3F18A1000A	18,000	45.7x18x21	124	15x11.12	16x18.22	16x20x1	½	⅜
4TGB3F25A1000A	24,000	45.7x18x21	125	15x11.12	16x18.22	16x20x1	⅝	⅜
4TGB3F30A1000A	30,000	52x18x21	135	15x11.12	16x18.22	16x20x1	¾	⅜
4TGB3F36A1000A	36,000	52x18x21	135	15x11.12	16x18.22	16x20x1	¾	⅜
4TGB3F42A1000A	42,000	48.3x23.5x21.5	147	20.5x11.12	21.5x18.22	20x20x1	¾	⅜
4TGB3F48A1000A	48,000	57.3x23.5x21.5	172	20.5x11.12	21.5x18.22	20x20x1	¾	⅜

① Actual opening does not include flange.

② Adjustable duct flange allows for a flush fit with 1½ inch insulation or ¾ inch or 1 inch insulation.

③ 3 fan speeds.

④ Metering Device = TXV-NB.

See Heater Tables on Pages AH-14-15

Split System Air Handlers Single Phase 1½-5 Tons

Table AH-9-A — Features	4TEH3F 1½-5	4TEC3F 1½-5	4TGB3F 1½-4
• 1" thick foil face insulated cabinet	—	—	✓
• 200/230 volt primary & 24 volt secondary transformer	✓	✓	✓
• Air-Tite™ cabinet meets or exceeds Florida's 2% leakage criteria	✓	✓	✓
• Approved for modular or manufactured homes	✓	✓	✓
• Compact 21" depth for easy installation	✓	✓	✓
• Convertible upflow to horizontal left	—	—	✓
• Corrosion resistant galvanized metal with attractive finish	✓	✓	✓
• Direct drive motor	—	—	✓
• Easy access electrical controls and hook-up	—	—	✓
• Easy to clean coil and drain pan	—	—	✓
• Easy to remove filters and blowers for ease of cleaning and replacement	—	—	✓
• Electric heaters with breaker option on all sizes	—	—	✓
• Exclusive maximum width of 23.5"	—	—	✓
• Electrical knock-outs on either side	✓	—	—
• Enhanced internally finned coil tubes	✓	✓	—
• External access to heater circuit boards	✓	✓	—
• Factory installed non-bleed TXV with mechanical fittings	✓	✓	—
• Full line 1-1/2 - 5 tons	✓	✓	—
• High efficiency direct drive multi-speed ECM motor	—	—	—
• Insulated cabinet	✓	✓	—
• Low voltage wire nut connectors	✓	✓	—
• Multi-speed blower motor; five ton model with direct drive ECM motor	—	✓	—
• Non-bleed TXV with mechanical fittings	—	—	✓
• Polarized plugs for making electrical connections from air handler control box to heaters	—	✓	✓
• Ships vertical - converts to horizontal by laying on side	✓	✓	—
• Sloped, free-draining composite material drain pan - no rust or leaks	—	—	✓
• Six-way convertibility: horizontal (left & right); front & rear access; upflow, downflow	—	✓	—
• Superior condensate performance	—	✓	—
• Uses standard size replaceable fiberglass filters	—	—	✓
• Versatile duct flange - allows flush fit ¾", 1" or 1.5" duct insulation	✓	✓	✓
• 5-year limited warranty on coil and all other functional parts (Residential Use)	✓	✓	✓
• Optional extended warranties available	✓	✓	✓

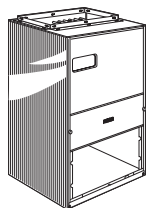
Table AH-9-B — Optional Accessories

Model Number	Description	Shipping Weight			
AY28X079	Evaporator Defrost Control	1	✓	✓	✓
AY28X084	Evaporator Defrost Control	1	✓	✓	✓
BAY99X123 ^②	Knockout Cover Plate ^③	—	—	—	—
BAYSPEK140B	Single Power Entry Kit	5	✓	✓	✓
TAYBASE100	Downflow Subbase	16	—	3½-5	—
TAYBASE101	Downflow Subbase	16	1½-3	1½-3	—
TAYBASE102	Downflow Subbase	16	3½-5	4½	—
TAYPLNM100 ^①	Pedestal Plenum Upflow	10	✓	✓	1½-2½, 3½-4
TAYPLNM101	Pedestal Plenum Upflow	10	—	4½	—
BAYPLNM120	Pedestal Plenum Upflow	—	✓	1½-5	1½-4
TASB215 ^③	21.5" Cabinet Mounting Stand	—	1½-3	1½-3	—
TASB235 ^③	23.5" Cabinet Mounting Stand	—	3½-5	3½-5	3½-4
TASB260 ^③	26" Cabinet Mounting Stand	—	—	4½	—

Comfort Controls — See Comfort Controls/Zone Sensors Section

- ① 2/4TEH018,024,030-center on plenum for 2" difference in width.
- ② Minimum order 1 unit (1 unit = 50 pieces).
- ③ For TASB ordering information see page AH-4.

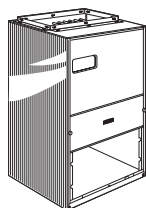
Split System Air Handlers Single Phase 1½-3 Tons



4TFB3F

Table AH-10-A — R-410A Front and Bottom Return Vertical Upflow Only (200-230/1/60)③⑤

Unit Model No.	Cooling Capacity (Btuh)	Dimensions (in.) H x W x D	Shipping Weight (lbs.)	Supply Opening①②	Return Opening①	Filter Sizes	Line Size	
							Gas	Liquid
4TFB3F18A1D05A	18,000	37x22x19.4	115	14x10.12	17.22x20	18x20x1	½	⅜
4TFB3F18A1D08A	18,000	37x22x19.4	115	14x10.12	17.22x20	18x20x1	½	⅜
4TFB3F18A1D10A	18,000	37x22x19.4	115	14x10.12	17.22x20	18x20x1	½	⅜
4TFB3F24A1D05A	24,000	39x22x19.4	120	14x10.12	17.22x20	18x20x1	⅝	⅜
4TFB3F24A1D08A	24,000	39x22x19.4	120	14x10.12	17.22x20	18x20x1	⅝	⅜
4TFB3F24A1D10A	24,000	39x22x19.4	120	14x10.12	17.22x20	18x20x1	⅝	⅜
4TFB3F30A1D05A	30,000	39x22x19.4	120	14x10.12	17.22x20	18x20x1	⅝	⅜
4TFB3F30A1D08A	30,000	39x22x19.4	120	14x10.12	17.22x20	18x20x1	⅝	⅜
4TFB3F30A1D10A	30,000	39x22x19.4	120	14x10.12	17.22x20	18x20x1	⅝	⅜
4TFB3F36A1D05A	36,000	39x22x19.4	115	14x10.12	17.22x20	18x20x1	¾	⅜
4TFB3F36A1D08A	36,000	39x22x19.4	115	14x10.12	17.22x20	18x20x1	¾	⅜
4TFB3F36A1D10A	36,000	39x22x19.4	115	14x10.12	17.22x20	18x20x1	¾	⅜



4TFE3F

Table AH-10-B — R-410A Front and Bottom Return Variable Speed (200-230/1/60)③⑤

Unit Model No.	Cooling Capacity (Btuh)	Dimensions (in.) H x W x D	Shipping Weight (lbs.)	Supply Opening①②	Return Opening①	Filter Sizes	Line Size	
							Gas	Liquid
4TFE3F25B1D05A	25,000	39x22x19.4	120	14x10.12	17.22x20	18x20x1	⅝	¼
4TFE3F25B1D08A	25,000	39x22x19.4	120	14x10.12	17.22x20	18x20x1	⅝	¼
4TFE3F25B1D10A	25,000	39x22x19.4	120	14x10.12	17.22x20	18x20x1	⅝	¼

① Actual opening does not include flange.

② Adjustable duct flange allows for a flush fit with 1½ inch insulation or ¾ inch or 1 inch insulation.

③ 2 fan speed.

④ Variable fan speed.

⑤ Metering Device = TXV-NB.

Split System Air Handlers Single Phase 1½-3 Tons

	4TFB3F 1½-3	4TFE3F
Table AH-11-A — Features		
• 1" thick foil face insulated cabinet	✓	✓
• 200/230 volt primary and 24 volt secondary transformer.....	✓	✓
• Air-Tite™ cabinet meets or exceeds Florida's 2% leakage criteria	✓	✓
• Approved for modular or manufactured homes.....	✓	✓
• Attractive enamel finish	✓	✓
• Direct drive motor	✓	—
• Easy access electrical controls and hook-up	✓	✓
• Easy clean coil and drain pan	✓	✓
• Easy to remove filters and blowers for easy cleaning and replacement	✓	✓
• Enhanced Comfort-R™	—	✓
• Factory installed heaters	✓	✓
• Factory installed non-bleed TXV with mechanical fittings	✓	✓
• Factory installed service disconnect	✓	✓
• Filter rack with throw-away filter	✓	✓
• Internally enhanced finned coil tubing	✓	✓
• Low voltage terminal board	—	✓
• Multi-speed blower	✓	—
• Primary and secondary drain connections	✓	✓
• Ships vertical upflow, bottom return with front access & convertible to vertical upflow front return	✓	✓
• Soft start - ON cycle fan speed is increased gradually to reduce sound and drafts	—	✓
• Variable speed direct drive ECM motor	—	✓
• 10-year registered limited warranty on coil and all other functional parts (Residential Use)®	—	✓
• 5-year limited warranty on coil and all other functional parts (Residential Use)	✓	—
• Optional extended warranties available	✓	✓

Table AH-11-B — Optional Accessories

Model Number	Description	Shipping Weight		
AY28X079.....	Evaporator Defrost Control.....	1	✓	✓
AY28X084.....	Evaporator Defrost Control.....	1	✓	✓
BAYPLNM120	Pedestal Plenum Upflow		✓	✓

Comfort Controls — See Comfort Controls/Zone Sensors Section

① Registered Limited Warranty terms are available when you register within 60 days of installation. You can register online at americanstandardair.com or by phone at 800-554-8005; otherwise American Standard Heating & Air Conditioning's Base Limited Warranty terms will apply. Base Limited Warranty information on specific products can be found on ASDealerNet.com.

Heaters for Split System and Convertible Air Handlers

Table AH-12-A — Heaters for 2/4TEH only

Heater Model Number	Capacity @ 240 Volts		Capacity @ 208 Volts		Voltage	Control Stages	Heater Amps per Circuit		Contains Circuit Breakers
	kW	BTUH	Rated kW	Rated BTUH			208 Volts	240 Volt	
BAYHTR1305000	4.80	16,400	3.6	12,300	208/240/1/60	1	17.3	20	No
BAYHTR1305BRK	4.80	16,400	3.6	12,300	208/240/1/60	1	17.3	20	Yes
BAYHTR1305PDC	4.80	16,400	3.6	12,300	208/240/1/60	1	17.3	20	No
BAYHTR1308000	7.68	26,200	5.76	19,700	208/240/1/60	1	27.7	32	No
BAYHTR1308BRK	7.68	26,200	5.76	19,700	208/240/1/60	1	27.7	32	Yes
BAYHTR1308PDC	7.68	26,200	5.76	19,700	208/240/1/60	1	27.7	32	No
BAYHTR1310000	9.60	32,800	7.20	24,600	208/240/1/60	1	34.6	40	No
BAYHTR1310BRK	9.60	32,800	7.20	24,600	208/240/1/60	1	34.6	40	Yes
BAYHTR1310PDC	9.60	32,800	7.20	24,600	208/240/1/60	1	34.6	40	No
BAYHTR1315BRKB	15.36	52,400	11.53	39,300	208/240/1/60	2	27.7/27.7 ^{①②}	32/32 ^①	Yes
BAYHTR1319BRK	19.20	65,500	14.42	44,200	208/240/1/60	2	27.8/41.6 ^{①②}	32/48 ^①	Yes
Three Phase									
BAYHTR3310000	9.60	32,800	7.20	24,600	208/240/3/60	1	30	34.6	No
BAYHTR3315000	15.36	52,400	11.53	39,300	208/240/3/60	1	33	38.2	No

① Circuit 1/Circuit 2

② Heater can be converted to single circuit power entry by using BAYSPEK140B. This kit allows a single power circuit to be used with electric heaters that contain two (2) circuit breakers. (BAYHTR1315 and BAYHTR1319 only)

Heaters for Split System and Convertible Air Handlers

Table AH-13-A — Air Handler/Fan Speed Heater Matrix

Air Handler Model	Unit Position	Application	HEATER MODEL NUMBER BAYHTR					* = 1 or 3
			1305 4.80KW	1308 7.68KW	*310 9.60KW	*315 15.36KW	1319 19.20KW	
4TEH3F18B	Vertical	A/C or Elec. Furnace	L	ML	ML	—	—	
	Upflow	Heat Pump	MH	H	H	—	—	
	Vertical	A/C or Elec. Furnace	L	ML	ML	—	—	
	Downflow	Heat Pump	MH	H	H	—	—	
	Horizontal	A/C or Elec. Furnace	L	ML	ML	—	—	
	Left	Heat Pump	MH	H	H	—	—	
4TEH3F24B	Vertical	A/C or Elec. Furnace	L	L	ML	MH	—	
	Upflow	Heat Pump	ML	MH	H	H	—	
	Vertical	A/C or Elec. Furnace	L	L	ML	MH	—	
	Downflow	Heat Pump	ML	ML	H	H	—	
	Horizontal	A/C or Elec. Furnace	L	L	ML	MH	—	
	Left	Heat Pump	ML	MH	H	H	—	
4TEH3F30B	Vertical	A/C or Elec. Furnace	L	L	ML	MH	—	
	Upflow	Heat Pump	L	ML	H	H	—	
	Vertical	A/C or Elec. Furnace	L	L	ML	MH	—	
	Downflow	Heat Pump	L	ML	H	H	—	
	Horizontal	A/C or Elec. Furnace	L	L	ML	MH	—	
	Left	Heat Pump	L	ML	H	H	—	
4TEH3F36B	Vertical	A/C or Elec. Furnace	L	L	ML	ML	ML	
	Upflow	Heat Pump	L	ML	MH	H	H	
	Vertical	A/C or Elec. Furnace	L	L	ML	ML	ML	
	Downflow	Heat Pump	L	ML	H	H	H	
	Horizontal	A/C or Elec. Furnace	L	L	ML	ML	ML	
	Left	Heat Pump	L	ML	H	H	H	
4TEH3F42B	Vertical	A/C or Elec. Furnace	ML	ML	ML	ML	ML	
	Upflow	Heat Pump	ML	MH	MH	H	H	
	Vertical	A/C or Elec. Furnace	ML	ML	ML	ML	ML	
	Downflow	Heat Pump	ML	ML	MH	H	H	
	Horizontal	A/C or Elec. Furnace	ML	ML	ML	ML	ML	
	Left	Heat Pump	ML	MH	MH	H	H	
4TEH3F48B	Vertical	A/C or Elec. Furnace	ML	ML	ML	ML	ML	
	Upflow	Heat Pump	ML	MH	MH	H	H	
	Vertical	A/C or Elec. Furnace	ML	ML	ML	ML	ML	
	Downflow	Heat Pump	L	ML	ML	H	H	
	Horizontal	A/C or Elec. Furnace	L	L	ML	ML	ML	
	Left	Heat Pump	L	ML	ML	H	H	
4TEH3F60B	Vertical	A/C or Elec. Furnace	L	L	L	L	ML	
	Upflow	Heat Pump	L	ML	ML	MH	H	
	Vertical	A/C or Elec. Furnace	L	L	L	L	ML	
	Downflow	Heat Pump	L	ML	ML	MH	H	
	Horizontal	A/C or Elec. Furnace	L	L	L	L	ML	
	Left	Heat Pump	L	ML	ML	MH	H	

(L)Low, (ML) Medium-Low, (MH) Medium-High, (H) High, indicate minimum heating speed settings for blower/motor operation.

Heaters for Split System and Convertible Air Handlers

A new line of our 1400 series model electric heaters have been introduced. These heaters are designated with a "C" in the 14th digit of the heater model number. These new "C" model heaters are backward compatible with all previous versions of the 1400 series of heaters. All communicating air handlers and modular blowers (4TEE3C, 4TBE) must use the "C" revision heaters.

Table AH-14-A — Heaters - 4TEE, 4TEC, 4TGB, 4TBE

Heater Model Number	Capacity @ 240 Volts		Capacity @ 208 Volts		Voltage	Control Stages	Heater Amps per Circuit		Contains Circuit Breakers
	kW	BTUH	kW	Rated BTUH			208 Volts	240Volt	
BAYHTR1405000	4.80	16,400	3.6	12,300	208/240/1/60	1	17.3	20	No
BAYHTR1405BRKC	4.80	16,400	3.6	12,300	208/240/1/60	1	17.3	20	Yes
BAYHTR1405PDC	4.80	16,400	3.6	12,300	208/240/1/60	1	17.3	20	No
BAYHTR1408000	7.68	26,200	5.76	19,700	208/240/1/60	1	27.7	32	No
BAYHTR1408BRKC	7.68	26,200	5.76	19,700	208/240/1/60	1	27.7	32	Yes
BAYHTR1408PDC	7.68	26,200	5.76	19,700	208/240/1/60	1	27.7	32	No
BAYHTR1410000	9.60	32,800	7.20	24,600	208/240/1/60	1	34.6	40	No
BAYHTR1410BRKC	9.60	32,800	7.20	24,600	208/240/1/60	1	34.6	40	Yes
BAYHTR1410PDC	9.60	32,800	7.20	24,600	208/240/1/60	1	34.6	40	No
BAYHTR1415BRKC	15.36	52,400	11.53	39,300	208/240/1/60	2	34.6/20.8 ^{①②}	40/24 ^①	Yes
BAYHTR1419BRKC	19.20	65,500	14.42	44,200	208/240/1/60	2	27.8/41.6 ^{①②}	32/48 ^①	Yes
BAYHTR1425BRKC	24.96	85,200	18.73	63,900	208/240/1/60	3	38.1/34.6/17.3 ^①	44/40/20 ^①	Yes
Three Phase									
BAYHTR3410000	9.60	32,800	7.20	24,600	208/240/3/60	1	30	34.6	No
BAYHTR3415000	15.36	52,400	11.53	39,300	208/240/3/60	1	33	38.2	No

① Circuit 1/Circuit 2/Circuit 3*

② Heater can be converted to single circuit power entry by using BAYSPEK140B. This kit allows a single power circuit to be used with electric heaters that contain two (2) circuit breakers.

BAYSPEK140B to be used with BAYHTR1415BRKC,C/ BAYHTR1419BRKC,C only.

CAUTION: Any power supply and/or combination power supply, circuit or circuits must be wired and protected in accordance with local electrical codes.

*On model BAYHTR1425 only.

Heaters for Split System and Convertible Air Handlers

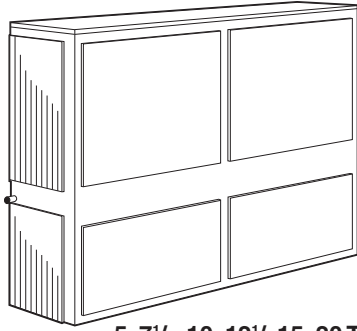
MINIMUM HEATING AIRFLOW CFM COOLING/HEAT PUMP AIR FLOW - HEATER MATRIX						
AIR HANDLER	HEATER MODEL NUMBER BAYHTR—					
MODEL NUMBER	1405 000 BRK PDC 4.80kW	1408 000 BRK PDC 7.68kW	1410 000 BRK PDC 3410 000 9.60kW	1415 BRK 15.36kW 3415 000	1419 BRK 19.20kW	1425 BRK 24.96kW
NUMBER OF HEATER RACKS	1	2	2	2	4	5
NUMBER OF CIRCUITS	1	1	1	2	2	3
4TEE3*01	1000/1130	1000 ^① /1300	1130/1350	1130/1350	1130/1350	N/A
4TEE3*02	600/900	900/1100	1100/1450	1100/1450	1100/1450	N/A
4TEE3*03	900 ^② /900	900 ^③ /900	900/1100	900 ^④ /1100	900 ^⑤ /1100 ^⑥	N/A
4TEE3*04	900 ^② /900	900 ^③ /900	900/1100	900 ^④ /1100	900 ^⑤ /1100 ^⑥	N/A
4TEE3*05	600/900 ^⑦	600/900	900/1100	1100/1400	1100/1400	1100/1400
4TEE3*06	800/800	800/1100 ^⑧	800/1100 ^⑨	800/1100 ^⑩	800/1100 ^⑪	800 ^⑫ /1400 ^⑬
4TEE3*07	800/1100	800/1100	800/1400	1100/1700	1400/1700	1400/1700
4TEE3*08	900/900	900/900 ^⑭	900/1200 ^⑮	900 ^⑯ /1200	900/1200 ^⑰	PS/1500 ^⑱
4TEE3*09	900/1200	900/1200	1200/1500	1200 ^⑲ /1500 ^⑳	1200/1500	1500/1800
4TEE3*10	900/1200	900/1200	1200/1500	1200 ^㉑ /1500 ^㉒	1200/1500	1500/1800
4TEE3F31	700/1000	700/1000	700/1000	700/1125	1000/1350	—
4TEE3F37	600/700	600/900	600/900	1000/1300	1000/1350	—
4TEE3F39	900/900	900/900	900/900	900/PS	PS/PS	—
4TEE3F40	600/1100	600/1100	600/1100	1100/1400	1100/1400	1100/1400
4TEE3F48	800/800	800/800	800/800	PS/PS	PS/PS	PS/PS
4TEE3F49	700/1400	700/1400	700/1400	1400/1600	1400/1600	1400/1600
4TEE3F62	900/PS	900/PS	900/PS	1200/1800	1200/1800	1200/1800
4TEE3F64	900/900	900/900	900/900	PS/PS	900/900	900/1800
4TEE3F65	900/1500	900/1500	900/1500	1200/1800	1200/1800	1200/1800
4TEC3F18B	L/L	L/M	L/M	—	—	—
4TEC3F24B	L/L	L/L	L/L	L/M	—	—
4TEC3F30B	L/L	L/L	L/L	L/M	—	—
4TEC3F36B	L/L	L/L	L/L	L/H	L/H	—
4TEC3F42C	ML/ML	ML/ML	ML/ML	ML/PS	ML/H	—
4TEC3F48B	L/L	L/L	L/L	L/L	PS/PS	—
4TEC3F55B	L/L	L/L	L/L	L/PS	L/H	L/H
4TEC3F60B	ML/ML	ML/ML	ML/ML	ML/PS	ML/MH	—
4TGB3F18A	L/L	L/M	L/H	—	—	—
4TGB3F25A	L/L	L/M	L/M	L/H	—	—
4TGB3F30A	L/L	L/L	L/L	L/M	—	—
4TGB3F36A	L/L	L/L	L/L	L/H	—	—
4TGB3F42A	L/L	L/L	L/L	L/H	—	—
4TGB3F48A	L/L	L/L	L/L	L/H	L/M	—

- (Example: L=Low, M=Medium, H=High Speed)
- PS** = Minimum speed tap varies based on air handler installation position.
- AS** = Heater application is affected based on whether the outdoor unit is a heat pump or cooling unit.
- 000** = Pigtails, BRK = Contains circuit breakers, PDC = Contains Pull Disconnect
- * = Can be either C or D
- ① For Upflow position without heat pump, minimum setting is 1130.
 - ② Minimum speed in downflow and horizontal right installations is 600 CFM.
 - ③ Minimum speed in upflow and horizontal right installations is 600 CFM.
 - ④ Minimum speed in downflow installations is 1400 CFM.
 - ⑤ Minimum speed in downflow installations is 1100 CFM.
 - ⑥ For horizontal right and downflow position, minimum speed for heat pump applications is 1100 CFM.
 - ⑦ Minimum speed for horizontal left installations is 1400 CFM; in horizontal right installations is 800 CFM.
 - ⑧ Minimum speed for horizontal right installations is 800 CFM.
 - ⑨ Minimum speed in downflow installations is 1400 CFM.
 - ⑩ Minimum speed in downflow and upflow installations is 1400 CFM.
 - ⑪ Minimum speed in horizontal left and downflow installations is 1100 CFM.
 - ⑫ Minimum speed in horizontal left installations is 1100 CFM.
 - ⑬ Minimum speed in downflow installations is 1200 CFM.
 - ⑭ Minimum speed in upflow installations is 900 CFM.
 - ⑮ Minimum speed in upflow installations is 1500 CFM.
 - ⑯ Minimum speed in horizontal left installations is 1800 CFM.
 - ⑰ For upflow applications only, minimum speed is 1500 for HP off and 1800 for HP on.
 - ⑱ Heater not approved for horizontal right installation.
- ⑲ Minimum speed in horizontal left installations is 1500 CFM; in downflow installations is 1200 CFM. Minimum speed for upflow installations on 240 volts is 1800 CFM. Heater not approved for upflow installations on 208 volts. Minimum speed for horizontal right installations on 240 volts is 1200 CFM. Heater not approved for horizontal right installations on 208 volts.

Split System Air Handlers, R-410A

Single Phase – 5-10 Tons

Three Phase – 5-20 Tons



5, 7½, 10, 12½ 15, 20 Ton TWE Convertible Air Handlers (Upflow or Horizontal Only)

- Ships in horizontal configuration, but quickly and easily converts to upflow
- Expansion valve factory installed
- Check valves for heat pump applications
- Belt drive blower
- Factory installed motor, belt, sheaves, contactor, low voltage terminal board
- One inch filters on 5 to 10 ton units (rack convertible for field supplied two inch)
- Captive screws remain on the panels for service ease
- Low voltage terminal board
- Drain Pan
- Factory Installed (EDC) Evaporator Defrost Control
- IAQ (Indoor Air Quality) sloped/free draining pan, no standing water
- Two inch filters factory installed on 12½, 15, 20 ton units
- Supplemental heaters (electric, water, steam) fits directly on unit discharge for low installation cost
- Single point power entry for reduced electrical power installation cost
- Unit fully assembled to reduce field installation costs
- Compact design with low service clearance to reduce building requirements
- Brazed refrigerant piping connections
- Fan relay UL listed and CSA Certified
- **Optional extended warranties**

Table AH-16-A — Single Circuit Coil - R-410A^⑤

Tons	Unit Model No.	Power Supply Volts/Phase/Hz	Capacity (Btu/h)	FCCV	Drive Type	Dimensions (in.) ^④ H x W x D	Shipping Weight (lbs.)	MCA*	Max Fuse Size or Max Circuit Breaker ^③ *
Single Phase									
5	TWE061D100AA	208-230/1/60	60,000	TXV	Belt	48 x 39 x 23	263	7.5	15
7½	TWE090D100AA ^①	208-230/1/60	90,000	TXV	Belt	54 x 49 x 26	360	8.5	15
10	TWE120D100AA ^①	208-230/1/60	120,000	TXV	Belt	54 x 65 x 26	429	10.6	15
Three Phase									
5	TWE061D300AA	208-230/3/60	60,000	TXV	Belt	48 x 39 x 23	263	3.1	15
5	TWE061D400AA	460/3/60	60,000	TXV	Belt	48 x 39 x 23	263	1.6	15
5	TWE061DW00AA	575/3/60	60,000	TXV	Belt	48 x 39 x 23	263	1.6	15
7½	TWE090D300AA ^{①②}	208-230/3/60	90,000	TXV	Belt	54 x 49 x 26	360	6.6	15
7½	TWE090DW00AA ^①	575/3/60	90,000	TXV	Belt	54 x 49 x 26	360	2.3	15
10	TWE120D300AA ^{①②}	208-230/3/60	120,000	TXV	Belt	54 x 65 x 26	429	7.8	15
10	TWE120DW00AA ^①	575/3/60	120,000	TXV	Belt	54 x 65 x 26	429	2.9	15

Table AH-16-B — Dual Circuit Coil — R-410A

Tons	Unit Model No.	Power Supply Volts/Phase/Hz	Capacity (Btu/h)	FCCV	Drive Type	Dimensions (in.) ^④ H x W x D	Shipping Weight (lbs.)	MCA*	Max Fuse Size or Max Circuit Breaker ^③ *
Single Phase									
5	TWE061E100AA	208-230/1/60	60,000	TXV	Belt	48 x 39 x 23	263	7.5	15
7½	TWE090E100AA ^①	208-230/1/60	90,000	TXV	Belt	54 x 49 x 26	360	8.5	15
10	TWE120E100AA ^①	208-230/1/60	120,000	TXV	Belt	54 x 65 x 26	429	10.6	15
Three Phase									
5	TWE061E300AA	208-230/3/60	60,000	TXV	Belt	48 x 39 x 23	263	3.1	15
5	TWE061E400AA	460/3/60	60,000	TXV	Belt	48 x 39 x 23	263	1.6	15
7½	TWE090E300AA ^{①②}	208-230/3/60	90,000	TXV	Belt	54 x 49 x 26	360	6.6	15
10	TWE120E300AA ^{①②}	208-230/3/60	120,000	TXV	Belt	54 x 65 x 26	429	7.8	15
10	TWE120EW00AA ^①	575/3/60	120,000	TXV	Belt	54 x 65 x 26	429	2.9	15
12 ½	TWE150E300AA	208-230/3/60	150,000	TXV	Belt	69 x 81 x 30	730	7.4	15
12 ½	TWE150E400AA ^②	460/3/60	150,000	TXV	Belt	69 x 81 x 30	730	3.4	15
12 ½	TWE150EW00AA	575/3/60	150,000	TXV	Belt	69 x 81 x 30	730	2.8	15
15	TWE180E300AA	208-230/3/60	180,000	TXV	Belt	69 x 81 x 30	729	11.8	20
15	TWE180E400AA ^②	460/3/60	180,000	TXV	Belt	69 x 81 x 30	729	5.8	15
15	TWE180EW00AA	575/3/60	180,000	TXV	Belt	69 x 81 x 30	729	4.3	15
20	TWE240E300BA	208-230/3/60	246,000	TXV	Belt	72 x 94 x 32	891	18.1	25
20	TWE240E400BA	460/3/60	246,000	TXV	Belt	72 x 94 x 32	891	8.4	15
20	TWE240EW00BA	575/3/60	246,000	TXV	Belt	72 x 94 x 32	891	6.5	15

① Control transformer not included. Order control transformer accessory when matching these air handlers with 3-5 ton condensing units.

② Ships wired for 208-230/3/60. Field convertible to 460/3/60.

③ HACR type circuit breaker per NEC.

④ Dimensions based on Upflow position.

⑤ All air handlers are shipped with the drain pan installed in the horizontal position. For vertical configuration, the drain pan should be repositioned before setting the air handler.

* Information subject to change. Please confirm with current Product Data/Service Facts for current factory production.

For complete equipment / combination selections, installation instructions and warranty information, please refer to Product Data/Ratings and/or Installers Guides and Limited Warranty Handbooks.

Split System Air Handlers, R-410A

Single Phase – 5-10 Tons

Three Phase – 5-20 Tons

Table AH-17-A — 6 - 10 Ton Electric Heater Selection

Model Number	Description	Used With
BAYHTRL106A	4.33/5.76 kW Heater 208/240/1 Phase	TWE061D1-TWE120E1
BAYHTRL112A	8.65/11.52 kW Heater 208/240/1 Phase	TWE061D1-TWE120E1
BAYHTRL117A	12.98/17.28 kW Heater 208/240/1 Phase	TWE061D1-TWE120E1
BAYHTRL123A	17.30/23.04 kW Heater 208/240/1 Phase	TWE061D1-TWE120E1
BAYHTRL129A	21.65/28.80 kW Heater 208/240/1 Phase	TWE061D1-TWE120E1
BAYHTRL305A	3.75/5.00 kW Heater 208/240/3 Phase	TWE061D3-TWE120E3
BAYHTRL310A	7.45/9.96 kW Heater 208/240/3 Phase	TWE061D3-TWE120E3
BAYHTRL315A	11.25/14.96 kW Heater 208/240/3 Phase	TWE061D3-TWE120E3
BAYHTRL325A	18.71/24.92 kW Heater 208/240/3 Phase	TWE061D3-TWE120E3
BAYHTRL335A	26.20/34.88 kW Heater 208/240/3 Phase	TWE061D3-TWE120E3
BAYHTRL405A	5.00 kW Heater 460/3 Phase	TWE061D4-TWE120E3 ^①
BAYHTRL410A	9.96 kW Heater 460/3 Phase	TWE061D4-TWE120E3 ^①
BAYHTRL415A	14.96 kW Heater 460/3 Phase	TWE061D4-TWE120E3 ^①
BAYHTRL425A	24.92 kW Heater 460/3 Phase	TWE061D4-TWE120E3 ^①
BAYHTRL435A	34.88 kW Heater 460/3 Phase	TWE061D4-TWE120E3 ^①
BAYHTRLW05A	5 kW Heater 575/3 Phase	TWE061DW-TWE120EW
BAYHTRLW10A	9.96 kW Heater 575/3 Phase	TWE061DW-TWE120EW
BAYHTRLW15A	14.96 kW Heater 575/3 Phase	TWE061DW-TWE120EW
BAYHTRLW25A	24.92 kW Heater 575/3 Phase	TWE061DW-TWE120EW
BAYHTRLW35A	34.88 kW Heater 575/3 Phase	TWE061DW-TWE120EW

Table AH-17-B — 12½ - 20 Ton Electric Heater Selection

Model Number	Description	Used With
BAYHTRM310A	7.50/10.0 kW Heater 208/230 3 Phase	TWE150E3-TWE240E3
BAYHTRM320A	14.96/19.92 kW Heater 208/230 3 Phase	TWE150E3-TWE240E3
BAYHTRM330A	22.50/29.92 kW Heater 208/230 3 Phase	TWE150E3-TWE240E3
BAYHTRM350A	37.42/49.84 kW Heater 208/230 3 Phase	TWE150E3-TWE240E3
BAYHTRM410A	10.0 kW Heater 460/3 Phase	TWE150E3 ^① -TWE240E4
BAYHTRM420A	19.92 kW Heater 460/3 Phase	TWE150E3 ^① -TWE240E4
BAYHTRM430A	29.92 kW Heater 460/3 Phase	TWE150E3 ^① -TWE240E4
BAYHTRM450A	49.84 kW Heater 460/3 Phase	TWE150EW-TWE240EW
BAYHTRMW10A	10.0 kW Heater 575/3 Phase	TWE150EW-TWE240EW
BAYHTRMW20A	19.92 kW Heater 575/3 Phase	TWE150EW-TWE240EW
BAYHTRMW30A	29.92 kW Heater 575/3 Phase	TWE150EW-TWE240EW
BAYHTRMW50A	49.84 kW Heater 575/3 Phase	TWE150EW-TWE240EW

^① Field convertible to 460/3/60.

Split System Air Handlers, R-410A

Single Phase – 5-10 Tons

Three Phase – 5-20 Tons

Table AH-18-A — 5 – 20 Ton Accessory Selection

Model Number	Description	Used With
Subbase		
BAYBASE009A	Vertical Air Handler Subbase	TWE061D/ TWE061E
BAYBASE010A	Vertical Air Handler Subbase	TWE090D/ TWE090E
BAYBASE011A	Vertical Air Handler Subbase	TWE120D/TWE120E
BAYBASE012A	Vertical Air Handler Subbase	TWE150E/TWE180E
BAYBASE013A	Vertical Air Handler Subbase	TWE240E
Grille		
BAYGRLE001A	Return Air Grille	TWE061D/E
BAYGRLE002A	Return Air Grille	TWE090D/E
BAYGRLE003A	Return Air Grille	TWE120D/E
BAYGRLE004A	Return Air Grille	TWE150E, TWE180E
BAYGRLE005A	Return Air Grille	TWE240E
High Static Motor		
BAYHSMT104A	1.5HP (230/1) w/ 1VL44 motor sheave w/ AK54 fan sheave w/ A44 belt	TWE061D1/E1
BAYHSMT105A	1.5HP (230-460/3) w/ 1VL44 motor sheave w/ AK54 fan sheave w/ A44 belt	TWE061D3-4/E3-4
BAYHSMT106A	1.5HP (575/3) w/ 1VL44 motor sheave w/ AK54 fan sheave w/ A44 belt	TWE061DW/EW
BAYHSMT107A	2 HP (230/1) w/ 1VL44 motor sheave w/ AK66 fan sheave w/ A50 belt	TWE090D1/E1
BAYHSMT108A	2 HP (230/460/3) w/ 1VL44 motor sheave w/ AK66 fan sheave w/ A50 belt	TWE090D3/E3
BAYHSMT109A	2 HP (575/3) w/ 1VL44 motor sheave w/ AK66 fan sheave w/ A50 belt	TWE090DW/EW
BAYHSMT110A	3 HP (230/460/3) w/ 1VP44 motor sheave w/ AK54 fan sheave w/ AX48 belt	TWE090D3/E3
BAYHSMT111A	3 HP (575/3) w/ 1VP44 motor sheave w/ AK54 fan sheave w/ AX48 belt	TWE090DW/EW
BAYHSMT112A	3 HP (230/460/3) w/ 1VP44L motor sheave w/ AK74 fan sheave w/ A51 belt	TWE120D3/E3
BAYHSMT113A	3 HP (575/3) w/ 1VP44L motor sheave w/ AK74 fan sheave w/ A51 belt	TWE120DW/EW
BAYHSMT114A	3 HP (230/460/3) w/ 1VP44L motor sheave w/ BK72 fan sheave w/ A51 belt	TWE150E3
BAYHSMT115A	3 HP (575/3) w/ 1VP44L motor sheave w/ BK72 fan sheave w/ A51 belt	TWE150EW
BAYHSMT116A	5 HP (230/3) w/ 1VP50L motor sheave w/ BK72 fan sheave w/ BX55 belt	TWE150E3
BAYHSMT117A	5 HP (460/3) w/ 1VP50L motor sheave w/ BK72 fan sheave w/ BX55 belt	TWE150E4
BAYHSMT118A	5 HP (575/3) w/ 1VP50L motor sheave w/ BK72 fan sheave w/ BX55 belt	TWE150EW
BAYHSMT119A	5 HP (230/3) w/ 1VP50L motor sheave w/ BK85 fan sheave w/ BX58 belt	TWE180E3
BAYHSMT120A	5 HP (460/3) w/ 1VP50L motor sheave w/ BK85 fan sheave w/ BX58 belt	TWE180E4
BAYHSMT121A	5 HP (575/3) w/ 1VP50L motor sheave w/ BK85 fan sheave w/ BX58 belt	TWE180EW
BAYHSMT122A	7.5 HP (230/460/3) w/ 1VP60 motor sheave w/ BK90 fan sheave w/ BX60 belt	TWE240E3/4
BAYHSMT123A	7.5 HP (575/3) w/ 1VP60 motor sheave w/ BK90 fan sheave w/ BX60 belt	TWE240EW
Isolators		
BAYISLT004A①②③④	Rubber Isolator Floor (blue)	TWE061D-TWE120E
BAYISLT009A①②③	Rubber Isolator Floor (red)	TWE150E, TWE180E
BAYISLT010A①②③	Rubber Isolator Floor (green)	TWE240E
BAYISLT012B③	Rubber Isolator Suspended (red/green)	TWE150E, TWE180E
BAYISLT013B③④	Rubber Suspended (red/green)	TWE061D/E
BAYISLT014A③④	Rubber Suspended (green)	TWE090D/E
BAYISLT015B③④	Rubber Suspended (green/black)	TWE120D/E
BAYISLT016B③	Rubber Suspended (red/green)	TWE240E
BAYISLT019A①②③	Steel Spring Isolator Floor (red)	TWE061D/E, TWE090D/E, TWE120D/E
BAYISLT021A①②③	Steel Spring Isolator Floor (black)	TWE150E, TWE180E
BAYISLT032A①②③	Steel Spring Isolator Floor (black/yellow)	TWE240E
BAYISLT028A③	Steel Spring Isolator Suspended (tan)	TWE061D/E
BAYISLT029A③	Steel Spring Isolator Suspended (red)	TWE090D/E, TWE120D/E
BAYISLT030A③	Steel Spring Isolator Suspended (black)	TWE150E, TWE180E
BAYISLT031B③	Steel Spring Isolator Suspended (black/yellow)	TWE240E
Low Static Drive Kit		
BAYLSMT001A	Low Static Drive Kit	TWE240E

① When the Air handler is in the vertical position and close proximity trapping of condensate is required, use of subbase is required.

② Requires use of subbase accessory.

③ Units having steam of hot water coils applied vertically or horizontally check IOM for proper Isolator kit selection.

④ Do not use if blower will operate less than 600 RPM.

Split System Air Handlers, R-410A

Single Phase – 5-10 Tons

Three Phase – 5-20 Tons

Table AH-19-A — 5 – 20 Ton Accessory Selection

Model Number	Description	Used With
Plenum		
BAYPLNM015B ^②	Discharge Plenum & Grille	TWE061D/E
BAYPLNM016B ^②	Discharge Plenum & Grille	TWE090D/E
BAYPLNM017B ^②	Discharge Plenum & Grille	TWE120D/E
BAYPLNM018B ^②	Discharge Plenum/Hydronic Coil Plenum & Grille	TWE150E, TWE180E
BAYPLNM019B ^②	Discharge Plenum/Hydronic Coil Plenum & Grille	TWE240E
BAYPLNM020B ^②	Hydronic Coil Discharge Plenum & Grille	TWE061D/E
BAYPLNM021B ^②	Hydronic Coil Discharge Plenum & Grille	TWE090D/E
BAYPLNM022B ^②	Hydronic Coil Discharge Plenum & Grille	TWE120D/E
BAYPLNM030A ^②	Electric Heat Discharge Plenum & Grille	TWE061D/E
BAYPLNM031A ^②	Electric Heat Discharge Plenum & Grille	TWE090D/E
BAYPLNM032A ^②	Electric Heat Discharge Plenum & Grille	TWE120D/E
BAYPLNM033A ^②	Electric Heat Discharge Plenum & Grille	TWE150E, TWE180E
BAYPLNM034A ^②	Electric Heat Discharge Plenum & Grille	TWE240E
Transformer		
BAYTFMR011A ^①	75va transformer (230V)	TWE090D3, TWE090E3, TWE120D3, TWE120E3
BAYTFMR012A ^①	75va transformer	TWE090D4/W, TWE090E4/W, TWE120D4/W, TWE120E4/W
BAYTFMR013A ^①		TWE090DK, TWE090EK, TWE120DK, TWE120EK
Water Kits		
BAYWATR022A ^②	Steam Coil Enclosure	TWE061D/E
BAYWATR023A ^②		TWE090D/E
BAYWATR024A ^②		TWE120D/E
BAYWATR025A ^②		TWE150E, TWE180E
BAYWATR026A ^②		TWE240E
BAYWATR027A ^②	Hot Water Coil Enclosure	TWE061D/E
BAYWATR028A ^②		TWE090D/E
BAYWATR029A ^②		TWE120D/E
BAYWATR030A ^②		TWE150E, TWE180E
BAYWATR031A ^②		TWE240E
Wire Kit		
BAYWRKT002A ^③	180 Blower Discharge Reversal Kit	TWE061D-TWE120E

① Required when 6 - 10 Ton Air Handlers are matched with 3-5 Ton condensing units.

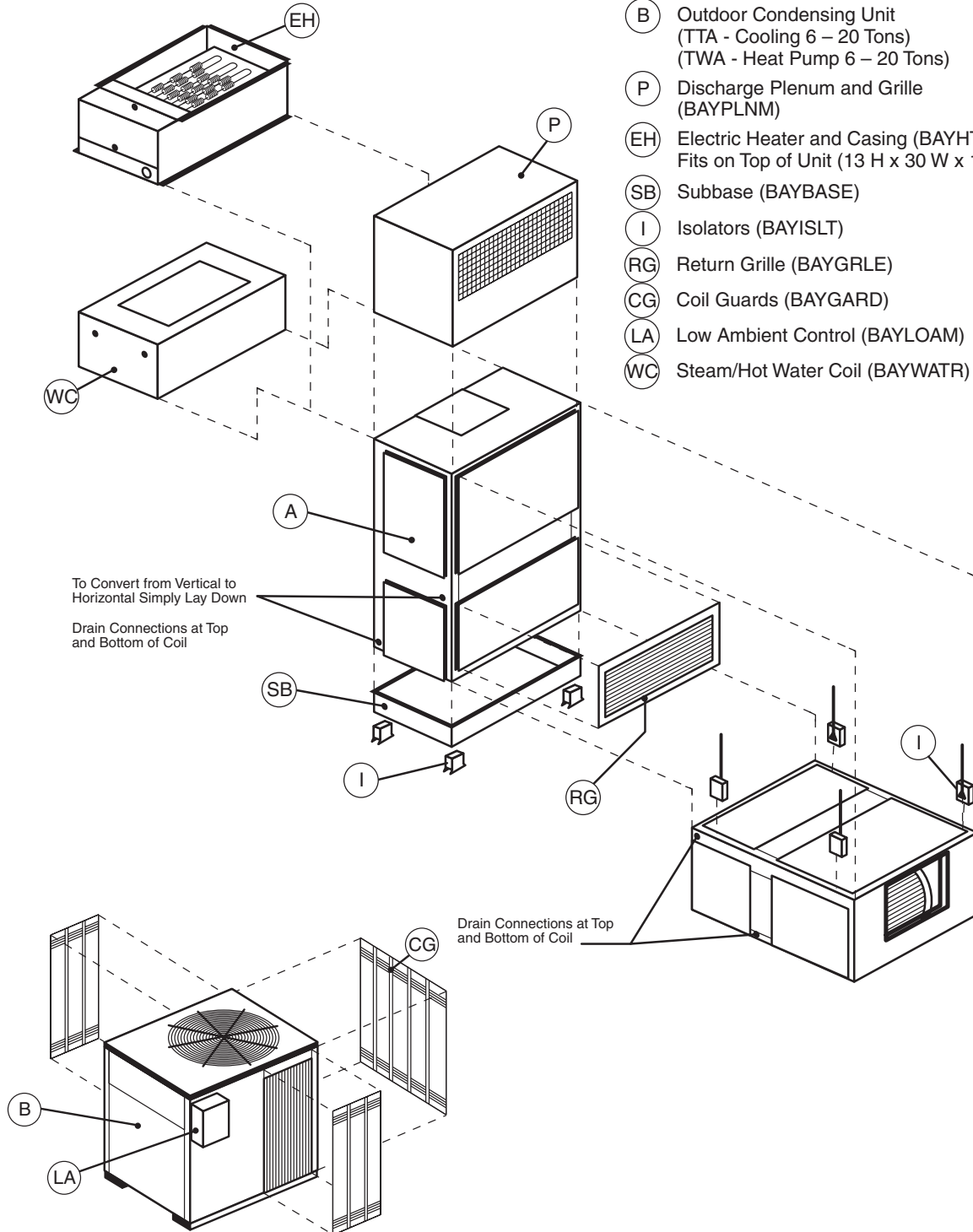
② When installed horizontally, plenum/water coil must be self supported.

③ Cannot be used on TWE150-240, due to motor mount location.

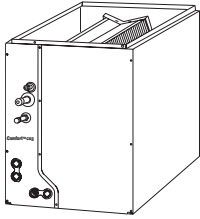
Split System Air Handlers 5-20 Tons

Factory Supplied Accessories

- (A) Air Handler (TWE 5 – 20 Tons)
- (B) Outdoor Condensing Unit (TTA - Cooling 6 – 20 Tons)
(TWA - Heat Pump 6 – 20 Tons)
- (P) Discharge Plenum and Grille (BAYPLNM)
- (EH) Electric Heater and Casing (BAYHTRL)
Fits on Top of Unit (13 H x 30 W x 17 D)
- (SB) Subbase (BAYBASE)
- (I) Isolators (BAYISLT)
- (RG) Return Grille (BAYGRLE)
- (CG) Coil Guards (BAYGARD)
- (LA) Low Ambient Control (BAYLOAM)
- (WC) Steam/Hot Water Coil (BAYWATR)



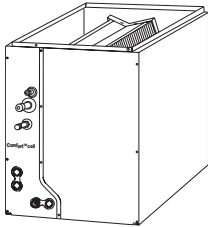
Split System – Cased Heat Pump and Cooling Coils



**4TXC-CC
Comfort™ Coil**

Table COIL-1-A — Aluminum High Efficiency Staged System Cased Coil Convertible (Upflow/ Downflow/ Horizontal Left or Right) R-410A Refrigerant

Model Number	Nom. Cap. Cooling (Btuh)	Coil Type	Refrigerant Control	Outlet Dim. (in.) W/H x D	Overall Dim. (in.) H x W x D	Shipping Weight (lbs.)	Line Size OD Gas	Line Size OD Liq.
4TXCB003CC3HCA	24,000	A	TXVNB ^①	15 ⁵ / ₈ x 19 ³ / ₈	22.6 x 17.5 x 21.5	45	5/8	3/8
4TXCB004CC3HCA	36,000	A	TXVNB ^①	15 ⁵ / ₈ x 19 ³ / ₈	26.9 x 17.5 x 21.5	49	3/4	3/8
4TXCC005CC3HCA	36,000	A	TXVNB ^①	19 ¹ / ₈ x 19 ³ / ₈	26.9 x 21 x 21.5	51	3/4	3/8
4TXCC006CC3HCA	24,000	A	TXVNB ^①	19 ¹ / ₈ x 19 ³ / ₈	22.6 x 21 x 21.5	48	5/8	3/8
4TXCC007CC3HCA	36,000	A	TXVNB ^①	19 ¹ / ₈ x 19 ³ / ₈	26.9 x 21 x 21.5	51	3/4	3/8
4TXCC008CC3HCA	60,000	A	TXVNB ^①	19 ¹ / ₈ x 19 ³ / ₈	30.1 x 21 x 21.5	65	3/4	3/8
4TXCD009CC3HCA	60,000	A	TXVNB ^①	22 ⁵ / ₈ x 19 ³ / ₈	30.1 x 24.6 x 21.5	68	3/4	3/8
4TXCD010CC3HCA	60,000	A	TXVNB ^①	22 ⁵ / ₈ x 19 ³ / ₈	30.1 x 24.6 x 21.5	68	3/4	3/8



**4TXC-BC
Comfort™ Coil**

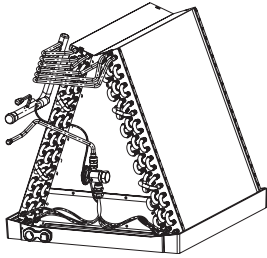
Table COIL-1-B — Aluminum Cased Coil Convertible (Upflow/ Downflow/ Horizontal Left or Right) R-410A Refrigerant

Model Number	Nom. Cap. Cooling (Btuh)	Coil Type	Refrigerant Control	Outlet Dim. (in.) W/H x D	Overall Dim. (in.) H x W x D	Shipping Weight (lbs.)	Line Size OD Gas	Line Size OD Liq. ^②
4TXCA018BC3HCA	18,000	A	TXVNB ^①	12 ⁵ / ₈ x 19 ³ / ₈	22.6 x 14.5 x 21.5	34	3/4	5/16
4TXCA024BC3HCA	24,000	A	TXVNB ^①	12 ⁵ / ₈ x 19 ³ / ₈	22.6 x 14.5 x 21.5	34	3/4	5/16
4TXCB025BC3HCA	24,000	A	TXVNB ^①	15 ⁵ / ₈ x 19 ³ / ₈	17.6 x 17.5 x 21.5	38	3/4	5/16
4TXCB031BC3HCA	30,000	A	TXVNB ^①	15 ⁵ / ₈ x 19 ³ / ₈	17.6 x 17.5 x 21.5	38	3/4	5/16
4TXCB032BC3HCA	36,000	A	TXVNB ^①	15 ⁵ / ₈ x 19 ³ / ₈	22.6 x 17.5 x 21.5	45	7/8	3/8
4TXCB036BC3HCA	36,000	A	TXVNB ^①	15 ⁵ / ₈ x 19 ³ / ₈	22.6 x 17.5 x 21.5	45	7/8	3/8
4TXCC037BC3HCA	37,000	A	TXVNB ^①	19 ¹ / ₈ x 19 ³ / ₈	22.6 x 21 x 21.5	48	7/8	3/8
4TXCB042BC3HCA	42,000	A	TXVNB ^①	15 ⁵ / ₈ x 19 ³ / ₈	22.6 x 17.5 x 21.5	45	7/8	3/8
4TXCC043BC3HCA	43,000	A	TXVNB ^①	19 ¹ / ₈ x 19 ³ / ₈	22.6 x 21 x 21.5	48	7/8	3/8
4TXCC044BC3HCA	48,000	A	TXVNB ^①	19 ¹ / ₈ x 19 ³ / ₈	26.9 x 21 x 21.5	49	1 ¹ / ₈	3/8
4TXCB048BC3HCA	48,000	A	TXVNB ^①	15 ⁵ / ₈ x 19 ³ / ₈	26.9 x 17.5 x 21.5	49	1 ¹ / ₈	3/8
4TXCC049BC3HCA	48,000	A	TXVNB ^①	19 ¹ / ₈ x 19 ³ / ₈	26.9 x 21 x 21.5	51	1 ¹ / ₈	3/8
4TXCD050BC3HCA	48,000	A	TXVNB ^①	22 ⁵ / ₈ x 19 ³ / ₈	26.9 x 24.6 x 21.5	55	1 ¹ / ₈	3/8
4TXCC060BC3HCA	60,000	A	TXVNB ^①	19 ¹ / ₈ x 19 ³ / ₈	30.1 x 21 x 21.5	65	1 ¹ / ₈	3/8
4TXCD061BC3HCA	60,000	A	TXVNB ^①	22 ⁵ / ₈ x 19 ³ / ₈	30.1 x 24.6 x 21.5	68	1 ¹ / ₈	3/8
4TXCD063BC3HCA	60,000	A	TXVNB ^①	22 ⁵ / ₈ x 19 ³ / ₈	30.1 x 24.6 x 21.5	68	7/8	3/8
4TXCD064BC3HCA	60,000	A	TXVNB ^①	22 ⁵ / ₈ x 19 ³ / ₈	30.1 x 24.6 x 21.5	68	1 ¹ / ₈	3/8

① Start Kit may be required on outdoor unit.

② Reducer shipped for R-410A compatibility.

Split System – Uncased Heat Pump and Cooling Coils



**4TXA-BC
Comfort™ Coil**

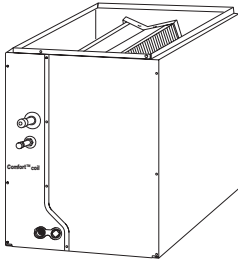
Table COIL-2-A — Aluminum Uncased Coil (Upflow/Downflow) R-410A Refrigerant

Model Number	Nom. Cap. Cooling (Btuh)	Coil Type	Refrigerant Control	Overall Dim. (in.) H x W x D	Shipping Weight (lbs.)	Line Size ^②	
						OD Gas	OD Liq.
4TXAA018BC3HUA	18,000	A	TXVNB ^①	17.4 x 13.3 x 21.1	21	3/4	5/16
4TXAA024BC3HUA	24,000	A	TXVNB ^①	17.4 x 13.3 x 21.1	21	3/4	5/16
4TXAB025BC3HUA	24,000	A	TXVNB ^①	15.9 x 16.3 x 21.1	24	3/4	5/16
4TXAB031BC3HUA	30,000	A	TXVNB ^①	15.9 x 16.3 x 21.1	24	3/4	5/16
4TXAB032BC3HUA	36,000	A	TXVNB ^①	21.2 x 16.3 x 21.1	32	7/8	3/8
4TXAB036BC3HUA	36,000	A	TXVNB ^①	21.2 x 16.3 x 21.1	32	7/8	3/8
4TXAC037BC3HUA	36,000	A	TXVNB ^①	20.8 x 19.8 x 21.1	33	7/8	3/8
4TXAB042BC3HUA	42,000	A	TXVNB ^①	21.2 x 16.3 x 21.1	32	7/8	3/8
4TXAC043BC3HUA	42,000	A	TXVNB ^①	20.8 x 19.8 x 21.1	33	7/8	3/8
4TXAC044BC3HUA	48,000	A	TXVNB ^①	25.3 x 19.8 x 21.1	38	1 1/8	3/8
4TXAB048BC3HUA	48,000	A	TXVNB ^①	25.3 x 16.3 x 21.1	36	1 1/8	3/8
4TXAC049BC3HUA	48,000	A	TXVNB ^①	24.9 x 19.8 x 21.1	38	1 1/8	3/8
4TXAD050BC3HUA	48,000	A	TXVNB ^①	24.4 x 23.3 x 21.1	39	1 1/8	3/8
4TXAC060BC3HUA	60,000	A	TXVNB ^①	29.1 x 19.8 x 21.1	44	1 1/8	3/8
4TXAD061BC3HUA	60,000	A	TXVNB ^①	28.6 x 23.3 x 21.1	45	1 1/8	3/8
4TXAD064BC3HUA	60,000	A	TXVNB ^①	28.6 x 23.3 x 21.1	45	1 1/8	3/8

^① Start Kit may be required on outdoor unit.

^② Reducer shipped for R-410A compatibility.

Split System – Cased Heat Pump and Cooling Coils



**4CX-CC
Comfort™ Coil**

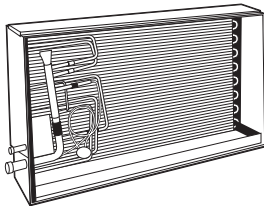
Table COIL-3-A — Aluminum Cooling ONLY Cased Coils- Upflow R-410A

Model Number	Nom. Cap. Cooling (Btuh)	Coil Type	Refrigerant Control	Outlet Dim. (in.) H x D	Overall Dim. (in.) H x W x D	Shipping Weight (lbs.)	Line Size OD Gas	Line Size OD Liq.
4CXCA024CC3CUA	24,000	A	TXVNB①	12 ⁵ / ₈ x 19 ³ / ₈	22.6x14.5x21.5	33	⁵ / ₈	³ / ₈
4CXCB025CC3CUA	24,000	A	TXVNB①	15 ⁵ / ₈ x 19 ³ / ₈	17.6x17.5x21.5	43	³ / ₄	³ / ₈
4CXCB031CC3CUA	30,000	A	TXVNB①	15 ⁵ / ₈ x 19 ³ / ₈	17.6x17.5x21.5	43	³ / ₄	³ / ₈
4CXCB036CC3CUA	36,000	A	TXVNB①	15 ⁵ / ₈ x 19 ³ / ₈	22.6x17.5x21.5	45	³ / ₄	³ / ₈
4CXCC037CC3CUA	37,000	A	TXVNB①	19 ¹ / ₈ x 19 ³ / ₈	22.6x21x21.5	48	³ / ₄	³ / ₈
4CXCB042CC3CUA	42,000	A	TXVNB①	15 ⁵ / ₈ x 19 ³ / ₈	22.6x17.5x21.5	45	³ / ₄	³ / ₈
4CXCC043CC3CUA	43,000	A	TXVNB①	19 ¹ / ₈ x 19 ³ / ₈	22.6x21x21.5	48	³ / ₄	³ / ₈
4CXCC049CC3CUA	48,000	A	TXVNB①	19 ¹ / ₈ x 19 ³ / ₈	26.9x21x21.5	52	⁷ / ₈	³ / ₈
4CXCD061CC3CUA	60,000	A	TXVNB①	22 ⁵ / ₈ x 19 ³ / ₈	30.1x24.5x21.5	67	⁷ / ₈	³ / ₈

Table COIL-3-B — Aluminum Cased Horizontal Flat Coils R-410A Refrigerant

Model Number	Nom. Cap. Cooling (Btuh)	Coil Type	Refrigerant Control	Outlet Dim. (in.) H x D	Overall Dim. (in.) H x W x D	Shipping Weight (lbs.)	Line Size OD Gas	Line Size OD Liq.
4TXFH024CZ3HHA	24,000	Flat	TXVNB①	21 x 33 ¹ / ₄	22.7 x 10.2 x 37.5	48	⁵ / ₈	³ / ₈
4TXFH033CC3HHA	34,000	Flat	TXVNB①	21 x 24	22.7 x 10.2 x 28.2	49	³ / ₄	⁵ / ₁₆
4TXFH036CZ3HHA	36,000	Flat	TXVNB①	21 x 33 ¹ / ₄	22.7 x 10.2 x 37.5	53	³ / ₄	³ / ₈
4TXFH041CC3HHA	44,000	Flat	TXVNB①	21 x 33 ¹ / ₄	22.7 x 10.2 x 37.5	57	³ / ₄	³ / ₈
4TXFH054CC3HHA	58,000	Flat	TXVNB①	21 x 33 ¹ / ₄	22.7 x 10.2 x 37.5	55	⁷ / ₈	³ / ₈
4TXFH063CZ3HHA	61,000	Flat	TXVNB①	21 x 33 ¹ / ₄	28.7 x 10.2 x 37.5	63	⁷ / ₈	³ / ₈

Important: This table applies to all outdoor units except the 4TTZ0 or 4TWZ0.



4TXF

Table COIL-3-C — XL20i Aluminum Cased Horizontal Flat Coils R-410A Refrigerant

Model Number	Nom. Cap. Cooling (Btuh)	Coil Type	Refrigerant Control	Outlet Dim. (in.) H x D	Overall Dim. (in.) H x W x D	Shipping Weight (lbs.)	Line Size OD Gas	Line Size OD Liq.
4TXFH024CZ3HHA	24,000	Flat	TXVNB①	21 x 33 ¹ / ₄	22.7 x 10.2 x 37.5	48	⁵ / ₈	³ / ₈
4TXFH036CZ3HHA	36,000	Flat	TXVNB①	21 x 33 ¹ / ₄	22.7 x 10.2 x 37.5	53	³ / ₄	³ / ₈
4TXFH063CZ3HHA	61,000	Flat	TXVNB①	21 x 33 ¹ / ₄	28.7 x 10.2 x 37.5	63	⁷ / ₈	³ / ₈

Important: Only these Flat Coils May be used with the 4TTZ0 or 4TWZ0 outdoor units.

Table COIL-3-D — Cased Horizontal Flat Coil R-410A Refrigerant②

Model Number	Nom. Cap. Cooling (Btuh)	Coil Type	Refrigerant Control	Outlet Dim. (in.) H x D	Overall Dim. (in.) H x W x D	Shipping Weight (lbs.)	Line Size OD Gas	Line Size OD Liq.
4TXFH001BS3HHA	24,000	Flat	TXVNB①	21 x 33 ¹ / ₄	22 x 10 x 37	56	⁵ / ₈	³ / ₈
4TXFH002BS3HHA	36,000	Flat	TXVNB①	21 x 33 ¹ / ₄	22 x 10 x 37	64	³ / ₄	³ / ₈
4TXFH004BS3HHA	60,000	Flat	TXVNB①	27 x 33 ¹ / ₄	28 x 10 x 37	79	³ / ₄	³ / ₈

Table COIL-3-E — Cased Horizontal Flat Coil R-410A Refrigerant②

Model Number	Nom. Cap. Cooling (Btuh)	Coil Type	Refrigerant Control	Outlet Dim. (in.) H x D	Overall Dim. (in.) H x W x D	Shipping Weight (lbs.)	Line Size OD Gas	Line Size OD Liq.
4TXFH018AS3HHA	18,000	Flat	TXVNB①	21 x 24	22 x 10 x 28	40	¹ / ₂	¹ / ₄
4TXFH033AS3HHA	34,000	Flat	TXVNB①	21 x 24	22 x 10 x 28	46	³ / ₄	⁵ / ₁₆
4TXFH041AS3HHA	44,000	Flat	TXVNB①	21 x 33 ¹ / ₄	22 x 10 x 37	56	³ / ₄	³ / ₈
4TXFH054AS3HHA	58,000	Flat	TXVNB①	21 x 33 ¹ / ₄	22 x 10 x 37	64	⁷ / ₈	³ / ₈
4TXFH063AS3HHA	61,000	Flat	TXVNB①	27 x 33 ¹ / ₄	28 x 10 x 37	79	⁷ / ₈	³ / ₈

① Start Kit may be required on outdoor unit.

② The 4TXFH-AS/BS coils are Copper tube and Aluminum fin, and have a 5-year limited warranty.

Split System – Cased/Uncased Heat Pump and Cooling Coils

Table COIL-4-A — Features

	4TXC-CC	4TXC-BC	4TXA-BC	4CXC-CC	4TXF
• All aluminum coil	✓	✓	✓	✓	✓
• 100% foil lined insulation.....	✓	✓	—	✓	✓
• Internally checked non-bleed* thermal expansion valve with mechanical fittings (heat pump operation).....	✓	✓	✓	—	✓
• Non-Bleed* thermal expansion valve with mechanical fittings (cooling only operation)	—	—	—	✓	—
• Easy case attachment to furnace.....	✓	✓	—	✓	—
• Upflow only application	—	—	—	✓	—
• Upflow/Downflow application	—	—	✓	—	—
• 4 way application - Upflow/Downflow/Horizontal (left/right)	✓	✓	—	—	—
• Horizontal application with Bi-Direction airflow	—	—	—	—	✓
• Suction pressure service port	✓	✓	✓	✓	✓
• Double sloped non-corrosive drain pan - UL rated 400°F.....	✓	✓	✓	✓	—
• Sloped non-corrosive drain pan	—	—	—	—	✓
• Optimized for high efficiency with staged systems	✓	—	—	—	—
• Split inner and outer doors for easy coil inspection and cleaning.....	✓	✓	—	✓	—
• Painted galvanized steel cabinet to match furnace.....	✓	✓	—	✓	—
• Unpainted galvanized steel cabinet	—	—	—	—	✓
• 10-year registered limited warranty on coil, & all other functional parts (Residential Use)**	✓	✓	✓	✓	✓

*Start kit may be required on outdoor unit.

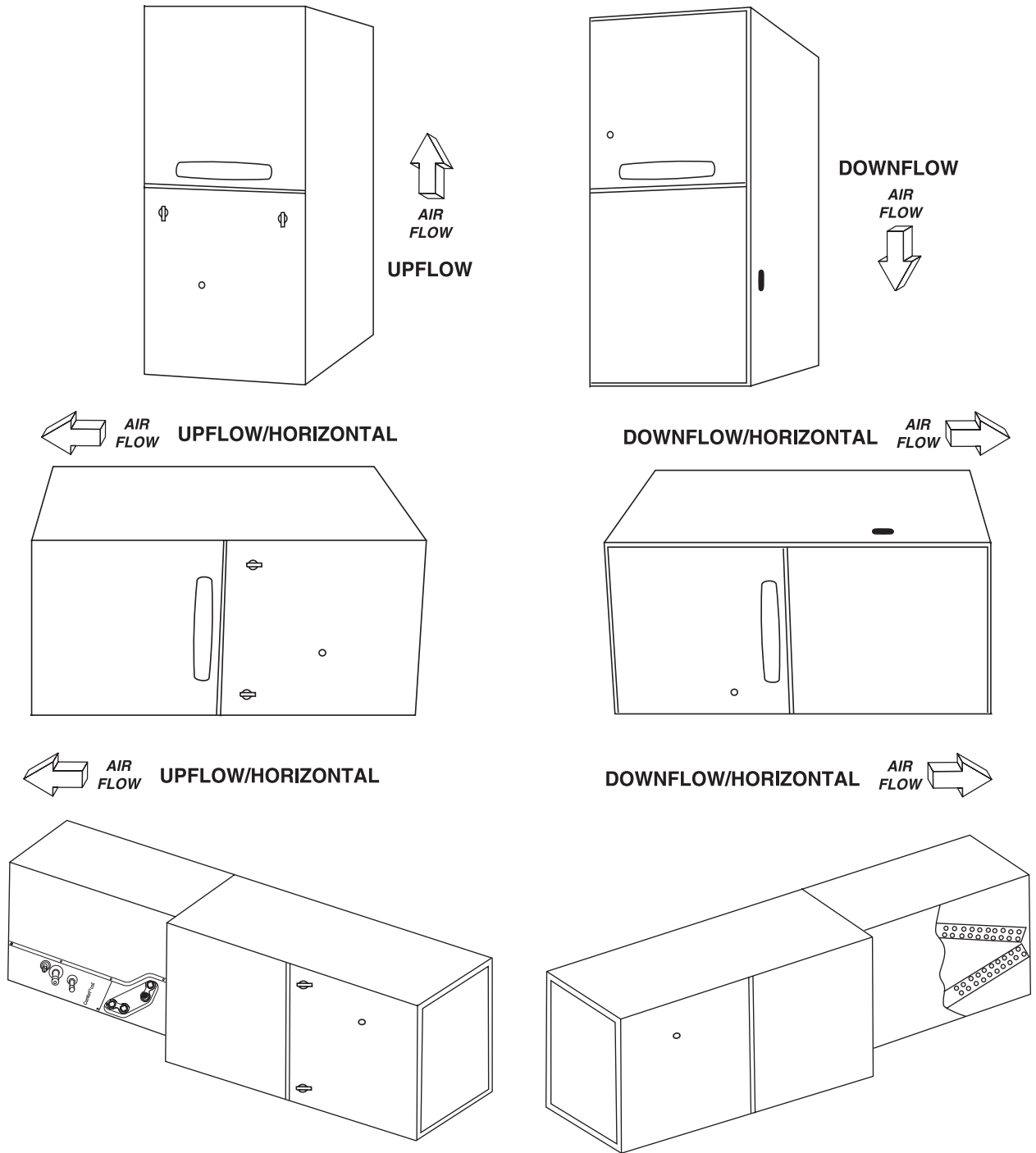
**Registered limited warranty terms are available when you register within 60 days of installation. You can register online at americanstandardair.com or by phone at 800-544-8005; otherwise, American Standard Base Limited Warranty terms will apply. Base Limited Warranty information on specific products can be found on ASDealerNet.com.

Split System – Uncased Coil Enclosures

Table COIL-5-A — 13 SEER Coil Enclosures

Model Number	Coils Cooling or Heat Pump		Used With Furnaces Flush on Both Sides	Dimensions (in.) H x W x D	Shipping Weight (lbs.)
BAYCLE14A1422A	4CXAA018BC3CUA 4CXAA024BC3CUA	4TXAA018BC 4TXAA024BC	14½" Wide Furnace	22½ x 14½ x 21½	12
BAYCLE17A1722A	4CXAB025BC3CUA 4CXAB031BC3CUA 4CXAB036BC3CUA 4CXAB042BC3CUA 4CXAB048BC3CUA	4TXAB025AS 4TXAB031AS 4TXAB036AS 4TXAB025BC 4TXAB031BC 4TXAB032BC 4TXAB036BC 4TXAB042BC 4TXAB048BC	17½" Wide Furnace	22 ⁵ / ₈ x 17½ x 21½	14
BAYCLE21A2130A	4CXAC037BC3CUA 4CXAC043BC3CUA 4CXAC049BC3CUA 4CXAC060BC3CUA	4TXAC037AS 4TXAC054AS 4TXAC037BC 4TXAC043BC 4TXAC044BC 4TXAC049BC 4TXAC060BC	21" Wide Furnace	30 x 21 x 21½	18
BAYCLE24A2430A	4CXAD050BC3CUA 4CXAD061BC3CUA	4TXAD065AS 4TXAD050BC 4TXAD061BC 4TXAD064BC	24½" Wide Furnace	30 x 24½ x 21½	22

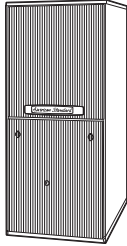
Freedom 95, 90* and American Standard 90 Convertible Gas Furnaces Airflow Directions



Note: The forty inch (40") height condensing downflow/horizontal and upflow/horizontal furnaces may only be rotated onto their left side. Connection brackets for coil/furnace alignment are included with the furnaces. The apex of the coil may point into or away from the airflow.

*Freedom 90 furnace with integrated AccuClean™ technology is upflow or upflow/horizontal application only.

Freedom 95 – Modulating, Communicating Variable Speed

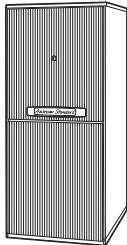


**Freedom 95
Direct/Non-Direct Vent**

Table FUR-2-A — Variable Speed, Communicating, Modulating Direct/Non-Direct Vent, Upflow/Horizontal Left Condensing Gas Furnace (115/1/60) ④ ⑤ ⑧

Unit Model No.	Airflow In Tons	Output (Btuh)		ICS ^{①②} AFUE	Flue Size (in)	Ignition Device	Uncrated Dimensions (in.) H x W x D	Shipping Weight (lbs.)	Max Fuse*	Filter Sizes
		Stage 3 High Stage/100%	Stage 1 Low Stage/40% ^③							
AUHMB060ACV3VA	3	57,000	23,000	95.0	2, 2 1/2, 3	⑥	40 x 17 1/2 x 28	158	15	17 x 25 x 1
AUHMB080ACV3VA	3	75,000	30,000	95.0	2, 2 1/2, 3	⑥	40 x 17 1/2 x 28	168	15	17 x 25 x 1
AUHMC100ACV4VA	4	95,000	38,000	95.0	2 1/2, 3	⑥	40 x 21 x 28	197	20	20 x 25 x 1
AUHMD120ACV5VA	5	114,000	52,000	95.0	3	⑥	40 x 24 1/2 x 28	206	20	24 x 25 x 1

Note: Variable speed furnaces should not be twinned and are not approved for twinning applications.



**Freedom 95
Direct/Non-Direct Vent**

Table FUR-2-B — Variable Speed, Communicating, Modulating Direct/Non-Direct Vent, Downflow/Horizontal Right Condensing Gas Furnace (115/1/60) ④ ⑤ ⑧

Unit Model No.	Airflow In Tons	Output (Btuh)		ICS ^{①②} AFUE	Flue Size (in)	Ignition Device	Uncrated Dimensions (in.) H x W x D	Shipping Weight (lbs.)	Max Fuse*	Filter Sizes
		Stage 3 High Stage/100%	Stage 1 Low Stage/40% ^③							
ADHMB060ACV3VB	3	57,000	22,800	95.0 ^⑦	2, 2 1/2, 3	⑥	40 x 17 1/2 x 28	160	15	17 x 25 x 1
ADHMB080ACV3VA	3	74,000	30,000	95.0	2, 2 1/2, 3	⑥	40 x 17 1/2 x 28	168	15	17 x 25 x 1
ADHMC100ACV4VA	4	95,000	38,000	95.0	2 1/2, 3	⑥	40 x 21 x 28	185	20	20 x 25 x 1
ADHMD120ACV5VB	5	114,000	45,600	95.0 ^⑦	3	⑥	40 x 24 1/2 x 28	206	20	24 x 25 x 1

Note: Variable speed furnaces should not be twinned and are not approved for twinning applications.

Freedom 95 – Two Stage Variable Speed

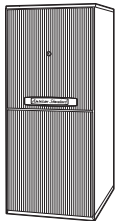


**Freedom 95
Direct/Non-Direct Vent**

Table FUR-2-C — Variable Speed Direct/Non-Direct Vent, Upflow/Horizontal Left Condensing Gas Furnace (115/1/60)

Unit Model No.	Airflow In Tons	Output (Btuh)		ICS ^{①②} AFUE	Flue Size (in)	Ignition Device	Uncrated Dimensions (in.) H x W x D	Shipping Weight (lbs.)	Max Fuse*	Filter Sizes
		Stage 2	Stage 1							
AUH2B060A9V3VA	3	58,000	37,700	96.7	2, 2 1/2, 3	⑥	40 x 17 1/2 x 28	158	15	17 x 25 x 1
AUH2B080A9V3VA	3	76,000	49,500	95.0	2, 2 1/2, 3	⑥	40 x 17 1/2 x 28	168	15	17 x 25 x 1
AUH2B080A9V4VA	4	76,000	49,500	95.0	2, 2 1/2, 3	⑥	40 x 17 1/2 x 28	170	20	17 x 25 x 1
AUH2C100A9V4VA	4	95,000	61,800	95.0	2 1/2, 3	⑥	40 x 21 x 28	197	20	20 x 25 x 1
AUH2C100A9V5VA	5	95,000	61,800	95.0	2 1/2, 3	⑥	40 x 21 x 28	199	20	20 x 25 x 1
AUH2D120A9V5VA	5	114,700	74,500	95.6	3	⑥	40 x 24 1/2 x 28	206	20	24 x 25 x 1

Note: Variable speed furnaces should not be twinned and are not approved for twinning applications.



**Freedom 95
Direct/ Non-Direct Vent**

Table FUR-2-D — Variable Speed Direct/Non-Direct Vent, Downflow/Horizontal Right Condensing Gas Furnace (115/1/60)

Unit Model No.	Airflow In Tons	Output (Btuh)		ICS ^{①②} AFUE	Flue Size (in)	Ignition Device	Uncrated Dimensions (in.) H x W x D	Shipping Weight (lbs.)	Max Fuse*	Filter Sizes
		Stage 2	Stage 1							
ADH2B060A9V3VA	3	57,000	37,000	95.0	2, 2 1/2, 3	⑥	40 x 17 1/2 x 28	160	15	17 x 25 x 1
ADH2B080A9V3VA	3	76,000	49,400	95.0	2, 2 1/2, 3	⑥	40 x 17 1/2 x 28	168	15	17 x 25 x 1
ADH2B080A9V4VA	4	76,000	49,400	95.0	2, 2 1/2, 3	⑥	40 x 17 1/2 x 28	172	20	17 x 25 x 1
ADH2C100A9V4VA	4	95,000	61,800	95.0	2 1/2, 3	⑥	40 x 21 x 28	185	20	20 x 25 x 1
ADH2D120A9V5VA	5	114,000	74,000	95.0	3	⑥	40 x 24 1/2 x 28	206	20	24 x 25 x 1

① Isolated Combustion System.

② Energy Star.

③ Low stage is equal to 45% for AUH1D120 model and the ADH1D120 model.

④ Furnace use in 24, non-communicating mode.

⑤ Direct drive variable speed motor is an ECM constant airflow blower motor.

⑥ Silicon Nitride

⑦ Downflow ADHMB060 and ADHMD120 95.0% AFUE furnaces will start shipping in August. Currently at 92.1%.

⑧ Must use ACONT900 comfort control in communicating mode.

* Information subject to change. Please confirm with current Product Data/Service Facts for current factory production.

** Filters are not shipped with furnace.

Note: Variable speed furnaces should not be twinned and are not approved for twinning applications

Freedom 95 – Single Stage



**Freedom 95
Direct/Non-Direct
Vent**

Table FUR-3-A — Direct/Non-Direct Vent, Upflow/Horizontal Left Condensing Gas Furnace (115/1/60)

Unit Model No.	Airflow In Tons	Nominal Output (Btuh)	ICS ^{①②} AFUE	Flue Size (in)	Ignition Device	Uncrated Dimensions (in.) H x W x D	Shipping Weight (lbs.)	Max Fuse*	Filter** Sizes
AUH1B040A9241A	2	38,000	95.0	2, 2 ¹ / ₂ , 3	③	40 x 17 ¹ / ₂ x 28	139	15	17 x 25 x 1
AUH1B060A9361A	3	57,000	95.0	2, 2 ¹ / ₂ , 3	③	40 x 17 ¹ / ₂ x 28	150	15	17 x 25 x 1
AUH1B080A9421A	3 ¹ / ₂	76,000	95.0	2, 2 ¹ / ₂ , 3	③	40 x 17 ¹ / ₂ x 28	158	15	17 x 25 x 1
AUH1C080A9601A	5	76,000	95.0	3	③	40 x 21 x 28	171	20	20 x 25 x 1
AUH1C100A9481A	4	92,150	95.0	3	③	40 x 21 x 28	171	20	20 x 25 x 1
AUH1D100A9601A	5	92,150	95.0	3	③	40 x 24 ¹ / ₂ x 28	197	20	24 x 25 x 1
AUH1D120A9601A	5	104,500	95.0	3	③	40 x 24 ¹ / ₂ x 28	205	20	24 x 25 x 1



**Freedom 95
Direct/Non-Direct
Vent**

Table FUR-3-B — Direct/Non-Direct Vent, Downflow/Horizontal Right Condensing Gas Furnace (115/1/60)

Unit Model No.	Airflow In Tons	Nominal Output (Btuh)	ICS ^{①②} AFUE	Flue Size (in)	Ignition Device	Uncrated Dimensions (in.) H x W x D	Shipping Weight (lbs.)	Max ^② Fuse*	Filter** Sizes
ADH1B040A9241A	2	38,000	95.0	2, 2 ¹ / ₂ , 3	③	40 x 17 ¹ / ₂ x 28	155	15	14x20x1
ADH1B065A9421A	3 ¹ / ₂	57,000	95.0	2, 2 ¹ / ₂ , 3	③	40 x 17 ¹ / ₂ x 28	168	15	14x20x1
ADH1C085A9481A	4	76,000	95.0	2 ¹ / ₂ , 3	③	40 x 21 x 28	185	15	14x20x1
ADH1D110A9601A	5	104,500	95.0	2 ¹ / ₂ , 3	③	40 x 24 ¹ / ₂ x 28	206	20	16x20x1

① Isolated Combustion System.

② Energy Star.

③ Silicon Nitride

* Information subject to change. Please confirm with current Product Data/Service Facts for current factory production.

** Filters are not shipped with furnace.

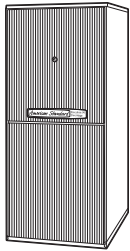
Freedom 90 – Two Stage



**Freedom 90
Direct/Non-Direct
Vent**

Table FUR-4-A — Direct/Non-Direct Vent, Upflow/Horizontal Left Condensing Gas Furnace (115/1/60)

Unit Model No.	Airflow In Tons	Output (Btuh)		ICS ^{①②} AFUE	Flue Size (in)	Ignition Device	Uncrated Dimensions (in.) H x W x D	Shipping Weight (lbs.)	Max Fuse*	Filter** Sizes
		Stage 2	Stage 1							
AUX2B060A9362A	3	56,000	36,000	93.0	2, 2 ¹ / ₂ , 3	Silicon Nitride	40 x 17 ¹ / ₂ x 28	156	15	17 x 25 x 1
AUX2B080A9422A	3	73,000	48,000	92.5	2, 2 ¹ / ₂ , 3	Silicon Nitride	40 x 17 ¹ / ₂ x 28	168	15	17 x 25 x 1
AUX2C100A9482A	4	93,000	60,000	93.0	2 ¹ / ₂ , 3	Silicon Nitride	40 x 21 x 28	197	20	20 x 25 x 1
AUX2D120A9602A	5	112,000	66,000	92.5	3 Only	Silicon Nitride	40 x 24 ¹ / ₂ x 28	206	20	24 x 25 x 1



**Freedom 90
Direct/Non-Direct
Vent**

Table FUR-4-B — Direct/Non-Direct Vent, Downflow/Horizontal Right Condensing Gas Furnace (115/1/60)

Unit Model No.	Airflow In Tons	Output (Btuh)		ICS ^{①②} AFUE	Flue Size (in)	Ignition Device	Uncrated Dimensions (in.) H x W x D	Shipping Weight (lbs.)	Max Fuse*	Filter** Sizes
		Stage 2	Stage 1							
ADX2B060A9362A	3	55,000	36,000	92.0	2-3	Silicon Nitride	40 x 17 ¹ / ₂ x 28	160	15	(2) 14 x 20 x 1
ADX2B080A9422A	3	74,000	48,000	92.5	2-3	Silicon Nitride	40 x 17 ¹ / ₂ x 28	168	15	(2) 14 x 20 x 1
ADX2C100A9482A	4	93,000	60,000	93.0	2 ¹ / ₂ , 3	Silicon Nitride	40 x 21 x 28	185	20	(2) 16 x 20 x 1
ADX2D120A9602A	5	111,000	72,000	92.5	3 Only	Silicon Nitride	40 x 24 ¹ / ₂ x 28	206	20	(2) 16 x 20 x 1

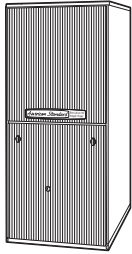
① Isolated Combustion System.

② Energy Star.

* Information subject to change. Please confirm with current Product Data/Service Facts for current factory production.

** Filters are not shipped with furnace.

Freedom 90 – Single Stage with High Efficiency Motor



**Freedom 90
Direct/Non-Direct
Vent**

Table FUR-5-A —Direct/Non-Direct Vent, Upflow/Horizontal Left Condensing Gas Furnace (115/1/60) with Filter

Unit Model No.	Airflow In Tons	Nominal Output (Btuh)	ICS ^{①②} AFUE	Flue Size (in)	Ignition Device	Uncrated Dimensions (in.) H x W x D	Shipping Weight (lbs.)	Max Fuse*	Filter Sizes
AUX1B040A9H21B	2	38,000	92.1	2, 2 ¹ / ₂ , 3	Silicon Nitride	40 x 17 ¹ / ₂ x 28	139	15	17 x 25 x 1
AUX1B060A9H31B	3	56,000	92.1	2, 2 ¹ / ₂ , 3	Silicon Nitride	40 x 17 ¹ / ₂ x 28	150	15	17 x 25 x 1
AUX1B080A9H31B	3	74,000	92.1	2, 2 ¹ / ₂ , 3	Silicon Nitride	40 x 17 ¹ / ₂ x 28	158	15	17 x 25 x 1
AUX1C100A9H41B	4	94,000	92.1	2 ¹ / ₂ , 3	Silicon Nitride	40 x 21 x 28	171	20	20 x 25 x 1
AUX1D120A9H51B	5	113,000	92.1	2 ¹ / ₂ , 3	Silicon Nitride	40 x 24 ¹ / ₂ x 28	205	20	24 x 25 x 1

Table FUR-5-B — Direct/Non-Direct Vent, Downflow/Horizontal Right Condensing Gas Furnace (115/1/60) with Filter

Unit Model No.	Airflow In Tons	Nominal Output (Btuh)	ICS ^{①②} AFUE	Flue Size (in)	Ignition Device	Uncrated Dimensions (in.) H x W x D	Shipping Weight (lbs.)	Max Fuse*	Filter Sizes
ADX1B040A9H21B	2	38,000	91.0	2, 2 ¹ / ₂ , 3	Silicon Nitride	40 x 17 ¹ / ₂ x 28	145	15 (2)	14 x 20 x 1
ADX1B060A9H31B	3	56,000	91.0	2, 2 ¹ / ₂ , 3	Silicon Nitride	40 x 17 ¹ / ₂ x 28	155	15 (2)	14 x 20 x 1
ADX1B080A9H31B	3	74,000	91.0	2, 2 ¹ / ₂ , 3	Silicon Nitride	40 x 17 ¹ / ₂ x 28	168	20 (2)	14 x 20 x 1
ADX1C100A9H41B	4	94,000	91.0	2 ¹ / ₂ , 3	Silicon Nitride	40 x 21 x 28	185	20 (2)	16 x 20 x 1
ADX1D120A9H51B	5	112,000	91.0	2 ¹ / ₂ , 3	Silicon Nitride	40 x 24 ¹ / ₂ x 28	206	20 (2)	16 x 20 x 1

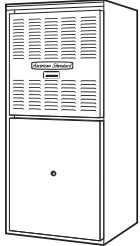
① Isolated Combustion System.

② Energy Star.

* Information subject to change. Please confirm with current Product Data/Service Facts for current factory production.

** Filters are not shipped with furnace.

American Standard 90 – Single Stage



American Standard 90

Table FUR-6-A — Direct/Non-Direct Vent, Upflow/Horizontal Left Condensing Gas Furnace (115/1/60)

Unit Model No.	Airflow In Tons	Nominal Output (Btuh)	AFUE ^①	Flue Size (in)	Ignition Device	Uncrated Dimensions (in.) H x W x D	Shipping Weight (lbs.)	Max Fuse*	Filter** Sizes
AUC1B040A9241A	2	38,000	92.1	2, 2½, 3	Silicon Carbide	40 x 17½ x 28	139	15	17 x 25 x 1
AUC1B060A9361A	3	56,000	92.1	2, 2½, 3	Silicon Carbide	40 x 17½ x 28	150	15	17 x 25 x 1
AUC1B080A9421A	3½	74,000	92.1	2, 2½, 3	Silicon Carbide	40 x 17½ x 28	158	15	17 x 25 x 1
AUC1C100A9481A	4	94,000	92.1	2½, 3	Silicon Carbide	40 x 21 x 28	171	20	20 x 25 x 1
AUC1D100A9601A	5	93,000	92.1	2½, 3	Silicon Carbide	40 x 24½ x 28	197	20	24 x 25 x 1
AUC1D120A9601A	5	113,000	92.1	2½, 3	Silicon Carbide	40 x 24½ x 28	205	20	24 x 25 x 1

Table FUR-6-B — Direct/Non-Direct Vent, Downflow/Horizontal Right Condensing Gas Furnace (115/1/60)

Unit Model No.	Airflow In Tons	Nominal Output (Btuh)	AFUE ^①	Flue Size (in)	Ignition Device	Uncrated Dimensions (in.) H x W x D	Shipping Weight (lbs.)	Max Fuse*	Filter** Sizes
ADC1B040A9241A	2	38,000	91.0	2, 2½, 3	Silicon Carbide	40 x 17½ x 28	145	15 (2)	14 x 20 x 1
ADC1B060A9361A	3	56,000	91.0	2, 2½, 3	Silicon Carbide	40 x 17½ x 28	155	15 (2)	14 x 20 x 1
ADC1B080A9421A	3½	74,000	91.0	2, 2½, 3	Silicon Carbide	40 x 17½ x 28	168	15 (2)	14 x 20 x 1
ADC1C100A9481A	4	93,000	91.0	2½, 3	Silicon Carbide	40 x 21 x 28	185	20 (2)	16 x 20 x 1
ADC1D120A9601A	5	112,000	91.0	2½, 3	Silicon Carbide	40 x 24½ x 28	206	20 (2)	16 x 20 x 1

^① Energy Star.

* Information subject to change. Please confirm with current Product Data/Service Facts for current factory production.

** Filters are not shipped with furnace.

Freedom 95, 90 and American Standard 90 Convertible Gas Furnaces

Airflow Directions:

Downflow models when placed in horizontal position provide left to right airflow. Upflow models when placed in horizontal position provide right to left airflow.

Table FUR-7-A — Features

	AUHM/ADHM Modulating 1 or 2 Pipe Variable Speed	AUH2/ADH2 2 Stage 1 or 2 Pipe Variable Speed	AUX2/ADX2 2 Stage 1 or 2 Pipe Variable Speed	AUX1-H/ADX1-H 1 Stage 1 or 2 Pipe High Efficiency	AUH1/ADH1/ AUX1/ADX1 1 Stage 1 or 2 Pipe	AUC1/ADC1 1 Stage 1 or 2 Pipe
• Comfort-R™ enhanced mode (cooling).....	✓	✓	—	—	—	—
• AccuLink™ system④	✓	—	—	—	—	—
• Adjustable heating fan off timing.....	✓	✓	✓	✓	✓	✓
• Alternate bottom/left/right return air (upflow models only)	✓	✓	✓	✓	✓	✓
• Blower door safety switch	✓	✓	✓	✓	✓	✓
• Bottom panel (upflow models only)	✓	✓	✓	✓	✓	✓
• Cleanable/Reusable high velocity filters	✓	✓	—	✓	—	—
• Complete front service access	✓	✓	✓	✓	✓	✓
• Direct drive, multi-speed (PSC) blower motor.....	—	—	✓	—	✓	✓
• Direct drive, multi-speed ECM blower motor (high efficiency)*	—	—	✓	1 Stage	—	—
• Direct drive, variable speed ECM blower motor**	✓	—	—	—	—	—
• Downflow horizontal right (downflow models only)	✓	✓	✓	✓	✓	✓
• Dual PVC pipe venting (1 or 2 pipe option)	✓	✓	✓	✓	✓	✓
• Two stage combination gas valve and regulator.....	—	—	—	—	—	—
• One stage combination gas valve and regulator	—	—	—	✓	✓	✓
• Modulating gas valve and regulator.....	✓	—	—	—	—	—
• Gasketed blower door.....	✓	✓	✓	✓	✓	—
• Heavy gauge reinforced wrap-around steel cabinet	✓	✓	✓	✓	✓	✓
• Humidifier/EAC hook-up capability	✓	✓	✓	✓	✓	✓
• Inner blower door panel (downflow models only)	✓	✓	✓	✓	✓	✓
• Insulated blower compartment 4 sides	✓	✓	✓	✓	✓	✓
• Integrated solid state control w/self diagnostics	✓	—	—	—	—	—
• Internal filter rack (upflow models only)	✓	✓	—	✓	—	—
• Left/right condensate drain capability in vertical application	✓	✓	—	—	—	✓
• Service diagnostics with faults reported at the user interface	✓	—	—	—	—	—
• Lite Port™/Stored diagnostics.....	—	✓	—	—	—	—
• Manual reset flame roll out switches.....	✓	—	—	—	—	—
• Mobile home approved w/BAYMFGH100A.....	—	✓	✓	✓	✓	✓
• Multi-port in shot burners.....	✓	—	—	—	✓	✓
• Painted cabinet single color.....	✓	—	—	—	—	✓
• Painted cabinet two tone color.....	✓	—	—	✓	✓	—
• Perfect fit door latches (upflow models only).....	✓	—	—	—	—	—
• Service diagnostic capabilities.....	✓	✓	✓	✓	✓	✓
• Slide out blower assembly	✓	✓	✓	✓	✓	✓
• Side return duct starter tabs (upflow models only)	✓	✓	✓	✓	✓	✓
• Silicon Carbide hot surface igniter with adaptive heat up	—	—	—	—	—	✓
• Silicon Nitride hot surface igniter with adaptive heat up	✓	✓	✓	✓	✓	—
• Single wire twinning	—	—	—	✓	✓	—
• Solid burner door (quiet operation)	✓	✓	✓	✓	✓	—
• 20 gauge aluminized steel heat exchanger	✓	✓	✓	✓	✓	✓
• 24 volt secondary fuse.....	✓	✓	✓	✓	✓	✓
• Variable heating blower speeds	✓	✓	✓	—	—	—
• Two heating blower speeds.....	—	✓	✓	—	—	—
• Type 29-4C™ stainless steel secondary heat exchanger.....	✓	✓	✓	✓	✓	✓
• Upflow horizontal left (upflow models only)	✓	✓	✓	✓	✓	✓
• Variable speed venter motor	✓	✓	✓	—	—	—
• Registered limited lifetime heat exchanger warranty and 10-year on all other functional parts (Residential Use)②	✓	✓	—	—	✓③	—
• Registered limited lifetime heat exchanger warranty and 5-year on all other functional parts (Residential Use)②	—	—	✓	✓	—	✓
• Optional extended warranties available	✓	✓	✓	✓	✓	✓

① Freedom 90 furnace with integrated AccuClean™ technology is upflow or upflow/horizontal application only.
 ② Registered Limited Warranty terms are available when you register within 60 days of installation. You can register online at americanstandardair.com or by phone at 800-554-8005; otherwise American Standard Heating & Air Conditioning's Base Limited Warranty terms will apply. Base Limited Warranty information on specific products can be found on ASDealerNet.com.
 ③ AUH1/ADH1 have a registered 10-year limited warranty; AUX1/ADX1 have a registered 5-year limited warranty.
 ④ Field configurable to 24V non-communicating mode.
 Note: Variable speed furnaces should not be twinned and are not approved for twinning applications.
 *Constant torque ECM (electronically commutated motor).
 **Constant airflow ECM (electronically commutated motor).

Freedom 95, 90 and American Standard 90 Convertible Gas Furnaces

Airflow Directions:

Downflow models when placed in horizontal position provide left to right airflow. Upflow models when placed in horizontal position provide right to left airflow.

Table FUR-8-A — Optional Accessories

Model Number	Description	Shipping Weight	AUHM/ADHM Modulating 1 or 2 Pipe Variable Speed	AUH2/ADH2 2 Stage 1 or 2 Pipe Variable Speed
BAY69X147	Wall mount flange – 3"	1	✓	✓
BAY69X148	Wall mount flange – 2"	1	✓	✓
BAYBASE205	Downflow subbase for downflow models only	8	✓	✓
BAYFLTR200	External side filter rack	5	✓	✓
BAYFLTR203	Filter kit horiz conversion for 17.5" cabinet	3	✓	✓
BAYFLTR204	Filter kit horiz conversion for 21" cabinet	3	✓	✓
BAYFLTR205	Filter kit horiz conversion for 24.5" cabinet	3	✓	✓
BAYFLTR317①	Cleanable filter for 17.5" cabinet upflow only	2	✓	✓
BAYFLTR321①	Cleanable filter for 21" cabinet upflow only	2	✓	✓
BAYFLTR324①	Cleanable filter for 24.5" cabinet upflow only	2	✓	✓
BAYLPKT210B	Propane conversion kit	1	—	—
BAYLPKT220B	Propane conversion kit	2	✓	—
BAYLPSS210B	LP Kit with Stainless Steel Burners	1	—	✓
BAYLPSS220B	LP Kit with Stainless Steel Burners	2	✓	—
BAYMFGH100A	Manufactured/mobil home kit	2	—	—
BAYRACK960A	Filter rack kit for upflow models only (internal)②	5	✓	✓
BAYAIR30AVENTA	Concentric vent kit for 2, 2½ and 3" ven system	11	✓	✓
BAYVENT200B	Sidewall vent Termination Kit fo Direct vent furnaces	2	✓	✓
BAYVENT500A	Side vent kit for downflow models only	3	✓	✓
BAYACCECOMM101	AccuClean™ hookup kit for communicating furnaces	1	✓	—

① Contains one (1) high velocity filter.

② Internal filter rack for side or bottom return air. Includes 17 x 25" cleanable filter for use in side return applications. Bottom return applications require different sizes of filters which are not included. Airflow requirements over 1800 CFM require filters on both sides or a side and bottom or bottom only.

③ Freedom 90 furnace with integrated AccuClean™ technology is upflow or upflow/horizontal application only.

Note: Variable speed furnaces should not be twinned and are not approved for twinning applications.

Airflow Directions:

Downflow models when placed in horizontal position provide left to right airflow. Upflow models when placed in horizontal position provide right to left airflow.

Table FUR-8-B — Optional Accessories

Model Number	Description	Shipping Weight	AUX2/ADX2 2 Stage 1 or 2 Pipe	AUX1-H/ADX1-H 1 Stage 1 or 2 Pipe High Efficiency	AUH1/ADH1/AUX1/ADX1 1 Stage 1 or 2 Pipe	AUC1/ADC1 1 Stage 1 or 2 Pipe
BAY69X147	Wall mount flange – 3"	1	✓	✓	✓	✓
BAY69X148	Wall mount flange – 2"	1	✓	✓	✓	✓
BAYBASE205	Downflow subbase for downflow models only	8	✓	✓	✓	✓
BAYFLTR200	External side filter rack	5	✓	✓	✓	✓
BAYFLTR203	Filter kit horiz conversion for 17.5" cabinet	3	✓	✓	✓	✓
BAYFLTR204	Filter kit horiz conversion for 21" cabinet	3	✓	✓	✓	✓
BAYFLTR205	Filter kit horiz conversion for 24.5" cabinet	3	✓	✓	✓	✓
BAYFLTR206	Filter kit	2	—	—	✓	✓
BAYFLTR317①	Cleanable filter for 17.5" cabinet upflow only	2	✓	✓	✓	✓
BAYFLTR321①	Cleanable filter for 21" cabinet upflow only	2	✓	✓	✓	✓
BAYFLTR324①	Cleanable filter for 24.5" cabinet upflow only	2	✓	✓	✓	✓
BAYLPKT210B	Propane conversion kit	1	✓	✓	✓	✓
BAYLPSS210B	LP Kit with Stainless Steel Burners	1	✓	✓	✓	✓
BAYMFGH100A	Manufactured/mobil home kit	2	✓	✓	✓	✓
BAYRACK960A	Filter rack kit for upflow models only (internal)②	5	✓	✓	✓	✓
BAYAIR30AVENTA	Concentric vent kit for 2, 2½ and 3" vent system	11	✓	✓	✓	✓
BAYVENT200B	Sidewall vent Termination Kit fo Direct vent furnaces	2	✓	✓	✓	✓
BAYVENT500A	Side vent kit for downflow models only	3	✓	✓	✓	✓

① Contains one (1) high velocity filter.

② Internal filter rack for side or bottom return air. Includes 17 x 25" cleanable filter for use in side return applications. Bottom return applications require different sizes of filters which are not included. Airflow requirements over 1800 CFM require filters on both sides or a side and bottom or bottom only.

Note: Variable speed furnaces should not be twinned and are not approved for twinning applications.

Special Use Furnace Accessories

Table FUR-9-A — High Altitude Pressure Switch 90%

Model Number	Description	Used With	Shipping Weight
BAYHALT225	1 Switch	AUC080,100C948,120C,ADC080,120C	2
BAYHALT226	1 Switch	AUC,ADC060C	2
BAYHALT227	1 Switch	AUC100C948	2
BAYHALT228	1 Switch	AUC/ADC040C	2
BAYHALT230	1 Switch	AUX/ADX040C,AUX1B040,D100/ADX1B040	2
BAYHALT231	1 Switch	AUX060C,AUX1060C	2
BAYHALT232	1 Switch	AUX080C,AUX1B080C	2
BAYHALT233	1 Switch	AUX100,120C/ADX080,120C,AUX1C100,D120/ADX1B080,D120	2
BAYHALT234	1 Switch	ADX100C,ADX1C100	2
BAYHALT241	1 Switch	ADX060C,ADX1B060	2
BAYHALT245	2 Switches	ADX/AUX/ADY/AUY060-R	2
BAYHALT246	2 Switches	ADX/AUX/ADY/AUY080,100-R	2
BAYHALT247	2 Switches	ADX/AUX/ADY/AUY120-R	2
BAYHALT248	1 Switch	AUD1/ADD1,AUE1/ADE	2
BAYHALT249	1 Switch	AUD2,AUD-R-K,ADD-R-F,ADD2	2

Table FUR-9-B — High Altitude Pressure Switch 90%

Model Number	Description	Used With	Shipping Weight
BAYSWT01AHALTA	1 Switch	AUC1B040,AUC1D100,ADC1B040,AUX1B040,AUX1D100,ADX1B040,AUH1B040,ADH1B040,ADH1C085	2
BAYSWT02AHALTA	1 Switch	AUC1B060,AUX1B060	2
BAYSWT03AHALTA	1 Switch	AUC1B080,AUX1B080	2
BAYSWT04AHALTA	1 Switch	AUC1C100,AUC1D120,ADC1B080,ADC1C100,ADC1D120,AUX1C100,AUX1D120,ADX1B080,ADX1D120,AUH1B060	2
BAYSWT05AHALTA	1 Switch	ADX1C100,AUH1B080,AUH1C100,ADH1D110	2
BAYSWT06AHALTA	1 Switch	ADC1B060,ADX1B060	2
BAYSWT07AHALTA	1 Switch	AUH3/AUHMB060,ADH3/ADHMB060,AUX2B060,ADX2B060,AUY060R,ADY060R	2
BAYSWT08AHALTA	1 Switch	AUX2B080,AUX2C100,ADX2B080,ADX2C100,AUY120R,ADY120R,AUH2B080,ADH2B080,AUH2C100,ADH2C100,AUH2D120,ADH2D120,AUH3/AUHMD120,ADH3/ADHMD120	2
BAYSWT09AHALTA	1 Switch	AUX2D120,ADX2D120,AUY080R,ADY080R,AUY100R,ADY100R,AUH3/AUHMB080,ADH3/ADHMB080,AUH3/AUHMC100,ADH/ADHM3C100	2
BAYSWT10AHALTA	1 Switch	AUH2B060A,ADH2B060A	2
BAYSWT11AHALTA	1 Switch	AUH1C080	2
BAYSWT12AHALTA	1 Switch	ADH1B065	2
BAYSWT01AMALTB	1 Switch	AUX1	2

The following changes occurred beginning with serial number 6151:

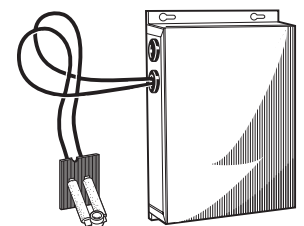
1. All 2 stage furnace changed from two separate pressure switches to one piggy back switch.
2. The high altitude pressure switches are now piggy back.
3. The new piggy back switches are not interchangeable with the original two switch design.
4. The pressure switch mounting plate is different for the piggy back switches.

Table FUR-9-C — Dual Fuel Heat Pump Control Kit

Model Number	Case Height	Used With
TAYPLUS103A.....	Heat Pump Control Kit	Gas, LP, Oil and Electric Furnaces
TAYSTAT250B.....	Outdoor Thermostat.....	TAYPLUS103A for Restricted Mode

① Factory wired for non-restricted mode, can be wired for restricted mode.

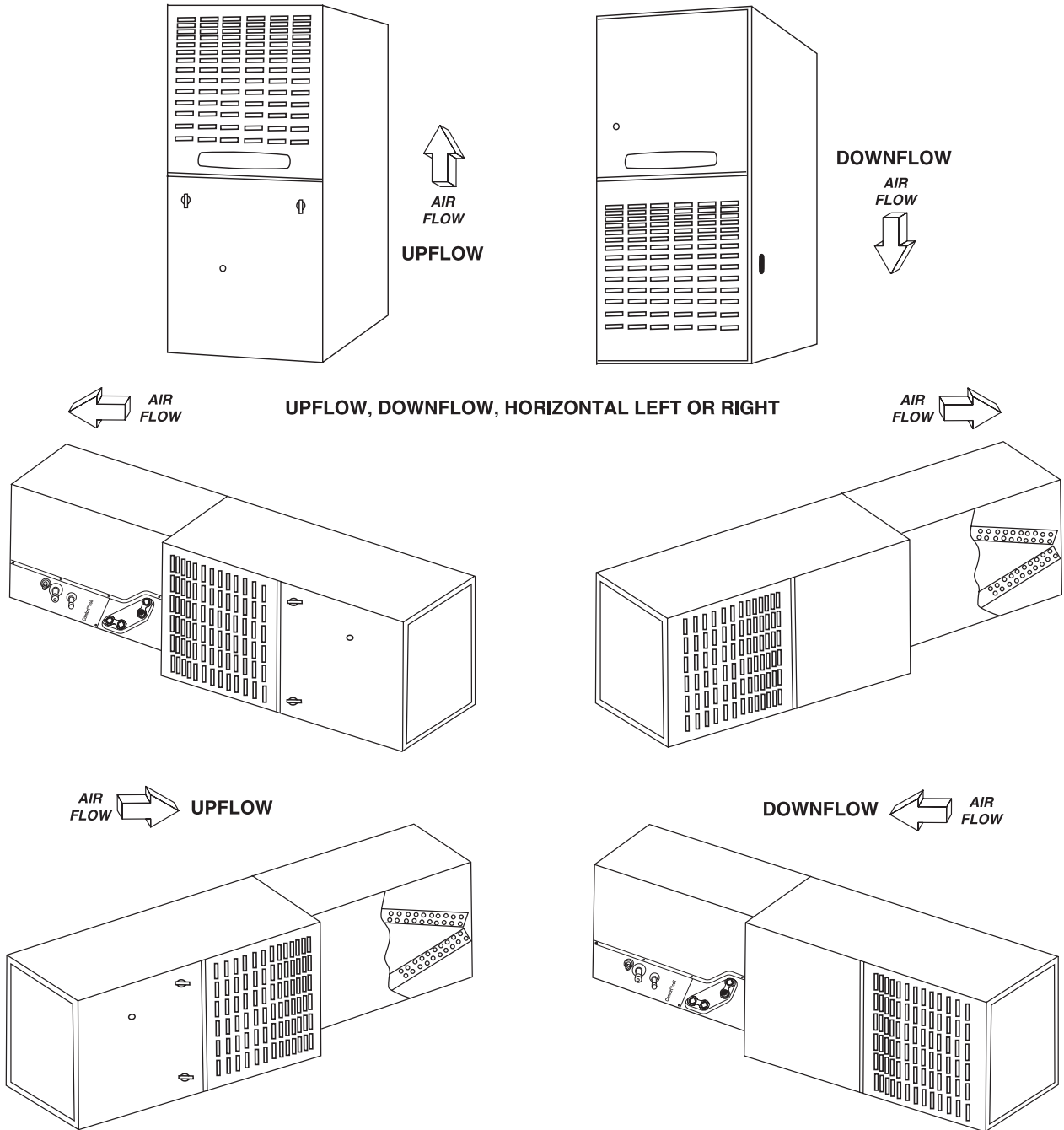
② Applicable for all furnaces with 35 VA or larger low voltage transformer (separate high voltage power not required).



Bonnet Switch TAYPLUS103A

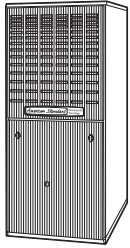
For complete equipment / combination selections, installation instructions and warranty information, please refer to Product Data/Ratings and/or Installers Guides and Limited Warranty Handbooks.

Freedom 80* and American Standard 80 Gas Furnaces Airflow Directions



Note: The non-condensing, forty inch (40") height furnaces may be laid on either side for horizontal application. Connection brackets for coil/furnace alignment are included with the furnaces. The apex of the coil may point into or away from the airflow.
*Freedom 80 furnace with integrated AccuClean™ technology is upflow or upflow/horizontal application only.

Freedom 80 – Two Stage Variable Speed (24 Volt Mode)



Freedom 80

Table FUR-11-A — Upflow/Horizontal Left or Right Induced Draft Gas Furnace (115/1/60) ②③

Unit Model No.	Airflow In Tons	Output (Btuh)		ICS ^① AFUE	Flue Size (in)	Ignition Device	Uncrated Dimensions (in.) H x W x D	Shipping Weight (lbs.)	Max Fuse*	Filter Sizes
		Stage 2	Stage 1							
AUD2B060ACV32A	3	48,000	31,200	80.0	4	Silicon Nitride	40 x 17 ¹ / ₂ x 28	136	15	17 x 25 x 1
AUD2B080ACV32A	3	64,000	41,600	80.0	4	Silicon Nitride	40 x 17 ¹ / ₂ x 28	142	15	17 x 25 x 1
AUD2C080ACV42A	4	64,000	41,600	80.0	4	Silicon Nitride	40 x 21 x 28	166	20	17 x 25 x 1
AUD2B100ACV32A	3	80,000	52,000	80.0	4	Silicon Nitride	40 x 17 ¹ / ₂ x 28	142	15	17 x 25 x 1
AUD2C100ACV52A	5	79,000	52,000	80.0	4	Silicon Nitride	40 x 21 x 28	166	20	20 x 25 x 1
AUD2D120ACV52A	5	97,000	62,400	80.0	4	Silicon Nitride	40 x 24 ¹ / ₂ x 28	193	20	24 x 25 x 1
AUD2D140ACV52A	5	111,000	72,800	80.0	4	Silicon Nitride	40 x 24 ¹ / ₂ x 28	197	20	24 x 25 x 1

Note: Variable speed furnaces should not be twinned and are not approved for twinning applications.



Freedom 80

Table FUR-11-B — Downflow/Horizontal Left or Right Induced Draft Gas Furnace (115/1/60) ②③

Unit Model No.	Airflow In Tons	Output (Btuh)		ICS ^① AFUE	Flue Size (in)	Ignition Device	Uncrated Dimensions (in.) H x W x D	Shipping Weight (lbs.)	Max Fuse*	Filter Sizes
		Stage 2	Stage 1							
ADD2B060ACV32A	3	48,000	31,200	80.0	4	Silicon Nitride	40 x 17 ¹ / ₂ x 28	140	15	(2) 14 x 20 x 1
ADD2B080ACV32A	3	63,000	41,600	80.0	4	Silicon Nitride	40 x 17 ¹ / ₂ x 28	146	15	(2) 14 x 20 x 1
ADD2C100ACV52A	5	81,000	52,000	80.0	4	Silicon Nitride	40 x 21 x 28	166	20	(2) 16 x 20 x 1
ADD2D120ACV52A	5	95,000	62,400	80.0	4	Silicon Nitride	40 x 24 ¹ / ₂ x 28	197	20	(2) 16 x 20 x 1

① Isolated Combustion System.

② Furnace use in 24V, non-communicating mode.

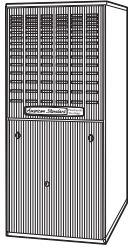
③ Can also be connected in communicating mode, see communicating section.

Note: Variable speed furnaces should not be twinned and are not approved for twinning applications.

* Information subject to change. Please confirm with current Product Data/Service Facts for current factory production.

** Filters are not shipped with furnace.

Freedom 80 – Two Stage Variable Speed



Freedom 80



Freedom 80

Table FUR-12-A — Upflow/Horizontal Left or Right Induced Draft Gas Furnace (115/1/60)

Unit Model No.	Airflow In Tons	Output (Btuh)		AFUE	Flue Size (in)	Ignition Device	Uncrated Dimensions (in.) H x W x D	Shipping Weight (lbs.)	Max Fuse*	Filter Sizes
		Stage 2	Stage 1							
AUD2B060A9V3VA	3	48,000	31,200	80.0	4	Silicon Nitride	40 x 17 ¹ / ₂ x 28	136	15	17 x 25 x 1
AUD2B080A9V3VA	3	64,000	41,600	80.0	4	Silicon Nitride	40 x 17 ¹ / ₂ x 28	142	15	17 x 25 x 1
AUD2C080A9V4VA	4	64,000	41,600	80.0	4	Silicon Nitride	40 x 21 x 28	166	20	17 x 25 x 1
AUD2C080B9V4VA ^①	4	64,000	41,600	80.0	4	Silicon Nitride	40 x 21 x 28	166	20	17 x 25 x 1
AUD2C100A9V3VA	3	80,000	52,000	80.0	4	Silicon Nitride	40 x 17 ¹ / ₂ x 28	142	15	17 x 25 x 1
AUD2C100A9V5VA	5	79,000	52,000	80.0	4	Silicon Nitride	40 x 21 x 28	166	20	20 x 25 x 1
AUD2C100B9V5VA ^①	5	79,000	52,000	80.0	4	Silicon Nitride	40 x 21 x 28	166	20	20 x 25 x 1
AUD2D120A9V5VA	5	97,000	62,400	80.0	4	Silicon Nitride	40 x 24 ¹ / ₂ x 28	193	20	24 x 25 x 1
AUD2D120B9V5VA ^①	5	97,000	62,400	80.0	4	Silicon Nitride	40 x 24 ¹ / ₂ x 28	193	20	24 x 25 x 1
AUD2D140A9V5VA	5	111,000	72,800	80.0	4	Silicon Nitride	40 x 24 ¹ / ₂ x 28	197	20	24 x 25 x 1

Note: Variable speed furnaces should not be twinned and are not approved for twinning applications.

Table FUR-12-B — Downflow/Horizontal Left or Right Induced Draft Gas Furnace (115/1/60)

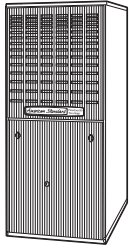
Unit Model No.	Airflow In Tons	Output (Btuh)		AFUE	Flue Size (in)	Ignition Device	Uncrated Dimensions (in.) H x W x D	Shipping Weight (lbs.)	Max Fuse*	Filter Sizes
		Stage 2	Stage 1							
ADD2B060A9V3VA	3	48,000	31,200	80.0	4	Silicon Nitride	40 x 17 ¹ / ₂ x 28	140	15 (2)	14 x 20 x 1
ADD2B080A9V3VA	3	63,000	41,600	80.0	4	Silicon Nitride	40 x 17 ¹ / ₂ x 28	146	15 (2)	14 x 20 x 1
ADD2C100A9V5VA	5	81,000	52,000	80.0	4	Silicon Nitride	40 x 21 x 28	166	20 (2)	16 x 20 x 1
ADD2D120A9V5VA	5	95,000	62,400	80.0	4	Silicon Nitride	40 x 24 ¹ / ₂ x 28	197	20 (2)	16 x 20 x 1

^① Model has high efficiency blower.

Note: Variable speed furnaces should not be twinned and are not approved for twinning applications.

* Information subject to change. Please confirm with current Product Data/Service Facts for current factory production.

Freedom 80 – Two Stage



Freedom 80

Table FUR-13-A — Upflow/Horizontal, Left or Right Induced Draft Gas Furnace (115/1/60)

Unit Model No.	Airflow In Tons	Output (Btuh)		ICS ^① AFUE	Flue Size (in)	Ignition Device	Uncrated Dimensions (in.) H x W x D	Shipping Weight (lbs.)	Max Fuse*	Filter** Sizes
		Stage 2	Stage 1							
AUD2A040A9242A	2	32,000	20,800	80.0	4	Silicon Nitride	40 x 14½ x 28	119	15	17 x 25 x 1
AUD2A060A9362A	3	47,000	31,200	80.0	4	Silicon Nitride	40 x 14½ x 28	127	15	17 x 25 x 1
AUD2B060A9362A	3	47,000	31,200	80.0	4	Silicon Nitride	40 x 17½ x 28	132	15	17 x 25 x 1
AUD2B080A9362A	3	63,000	41,600	80.0	4	Silicon Nitride	40 x 17½ x 28	142	15	17 x 25 x 1
AUD2B080A9482A	4	63,000	41,600	80.0	4	Silicon Nitride	40 x 17½ x 28	142	15	17 x 25 x 1
AUD2B100A9362A	3	79,000	52,000	80.0	4	Silicon Nitride	40 x 17½ x 28	151	15	17 x 25 x 1
AUD2C100A9482A	4	79,000	52,000	80.0	4	Silicon Nitride	40 x 21 x 28	162	15	20 x 25 x 1
AUD2C100A9602A	5	80,000	52,000	80.0	4	Silicon Nitride	40 x 21 x 28	162	20	20 x 25 x 1
AUD2D100A9602A	5	80,000	52,000	80.0	4	Silicon Nitride	40 x 24½ x 28	175	20	24 x 25 x 1
AUD2C120A9542A	5	95,000	62,400	80.0	4	Silicon Nitride	40 x 21 x 28	176	20	20 x 25 x 1
AUD2D120A9602A	5	95,000	62,400	80.0	4	Silicon Nitride	40 x 24½ x 28	186	20	24 x 25 x 1
AUD2D140A9602A	5	112,000	72,800	80.0	4	Silicon Nitride	40 x 24½ x 28	192	20	24 x 25 x 1



Freedom 80

Table FUR-13-B — Downflow/Horizontal Left or Right Induced Draft (115/1/60)

Unit Model No.	Airflow In Tons	Output (Btuh)		ICS ^① AFUE	Flue Size (in)	Ignition Device	Uncrated Dimensions (in.) H x W x D	Shipping Weight (lbs.)	Max Fuse*	Filter** Sizes
		Stage 2	Stage 1							
ADD2A040A9242A	2	32,000	20,800	80.0	4	Silicon Nitride	40 x 14½ x 28	125	15 (2)	14 x 20 x 1
ADD2A060A9362A	3	47,000	31,200	80.0	4	Silicon Nitride	40 x 14½ x 28	135	15 (2)	14 x 20 x 1
ADD2B060A9362A	3	48,000	31,200	80.0	4	Silicon Nitride	40 x 17½ x 28	140	15 (2)	14 x 20 x 1
ADD2B080A9362A	3	64,000	41,600	80.0	4	Silicon Nitride	40 x 17½ x 28	152	15 (2)	14 x 20 x 1
ADD2B100A9482A	4	79,000	52,000	80.0	4	Silicon Nitride	40 x 17½ x 28	157	15 (2)	14 x 20 x 1
ADD2C100A9482A	4	79,000	52,000	80.0	4	Silicon Nitride	40 x 21 x 28	166	15 (2)	16 x 20 x 1
ADD2C100A9602A	5	79,000	52,000	80.0	4	Silicon Nitride	40 x 21 x 28	168	20 (2)	16 x 20 x 1
ADD2D120A9602A	5	94,000	62,400	80.0	4	Silicon Nitride	40 x 24½ x 28	189	20 (2)	16 x 20 x 1
ADD2D140A9602A	5	112,000	72,800	80.0	4	Silicon Nitride	40 x 24½ x 28	196	20 (2)	16 x 20 x 1

① Isolated Combustion System.

* Information subject to change. Please confirm with current Product Data/Service Facts for current factory production.

** Filters are not shipped with furnace.

Freedom 80 – Single Stage with High Efficiency Motor



Freedom 80

Table FUR-14-A — Upflow Horizontal, Left or Right Induced Draft Gas Furnace (115/1/60)

Unit Model No.	Airflow In Tons	Nominal Output (Btuh)	AFUE	Flue Size (in.)	Ignition Device	Uncrated Dimensions (in.) H x W x D	Shipping Weight (lbs.)	Max Fuse*	Filter Sizes
AUD1A040A9H21B	2	32,000	80.0	4	Silicon Nitride	40 x 14 ¹ / ₂ x 28	119	15	17 x 25 x 1
AUD1B060A9H31B	3	47,000	80.0	4	Silicon Nitride	40 x 17 ¹ / ₂ x 28	127	15	17 x 25 x 1
AUD1B080A9H31B	3	63,000	80.0	4	Silicon Nitride	40 x 17 ¹ / ₂ x 28	142	15	17 x 25 x 1
AUD1C080A9H41B	4	64,000	80.0	4	Silicon Nitride	40 x 21 x 28	142	20	20 x 25 x 1
AUD1B100A9H31B	3	79,000	80.0	4	Silicon Nitride	40 x 17 ¹ / ₂ x 28	151	20	17 x 25 x 1
AUD1C100A9H51B	5	79,000	80.0	4	Silicon Nitride	40 x 21 x 28	162	20	20 x 25 x 1
AUD1D120A9H51B	5	96,000	80.0	4	Silicon Nitride	40 x 24 ¹ / ₂ x 28	186	20	24 x 25 x 1
AUD1D140A9H51B	5	111,000	80.0	4	Silicon Nitride	40 x 24 ¹ / ₂ x 28	193	20	24 x 25 x 1

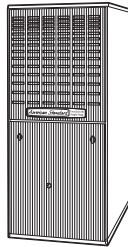


Freedom 80

Table FUR-14-B — Downflow Horizontal, Left or Right Induced Draft Gas Furnace (115/1/60)

Unit Model No.	Airflow In Tons	Nominal Output (Btuh)	AFUE	Flue Size (in.)	Ignition Device	Uncrated Dimensions (in.) H x W x D	Shipping Weight (lbs.)	Max Fuse*	Filter Sizes
ADD1B060A9H31B	3	48,000	80.0	4	Silicon Nitride	40 x 17 ¹ / ₂ x 28	129	15	(2) 14 x 20 x 1
ADD1B080A9H31B	3	64,000	80.0	4	Silicon Nitride	40 x 17 ¹ / ₂ x 28	146	15	(2) 14 x 20 x 1
ADD1C100A9H51B	5	81,000	80.0	4	Silicon Nitride	40 x 21 x 28	167	20	(2) 16 x 20 x 1
ADD1D120A9H51B	5	96,000	80.0	4	Silicon Nitride	40 x 24 ¹ / ₂ x 28	189	20	(2) 16 x 20 x 1

Freedom 80 – Single Stage



Freedom 80

Table FUR-14-C — Upflow/Horizontal Left or Right Induced Draft Gas Furnace (115/1/60)

Unit Model No.	Airflow In Tons	Nominal Output (Btuh)	AFUE	Flue Size (in.)	Ignition Device	Uncrated Dimensions (in.) H x W x D	Shipping Weight (lbs.)	Max Fuse*	Filter** Sizes
AUD1A040A9241A	2	32,000	80.0	4	Silicon Nitride	40 x 14 ¹ / ₂ x 28	119	15	17 x 25 x 1
AUD1A040A9301A	2 ¹ / ₂	32,000	80.0	4	Silicon Nitride	40 x 14 ¹ / ₂ x 28	122	15	17 x 25 x 1
AUD1A060A9241A	2	47,000	80.0	4	Silicon Nitride	40 x 14 ¹ / ₂ x 28	124	15	17 x 25 x 1
AUD1A060A9361A	3	47,000	80.0	4	Silicon Nitride	40 x 14 ¹ / ₂ x 28	127	15	17 x 25 x 1
AUD1B060A9361A	3	47,000	80.0	4	Silicon Nitride	40 x 17 ¹ / ₂ x 28	132	15	17 x 25 x 1
AUD1B080A9241A	2	64,000	80.0	4	Silicon Nitride	40 x 17 ¹ / ₂ x 28	139	15	17 x 25 x 1
AUD1B080A9361A	3	63,000	80.0	4	Silicon Nitride	40 x 17 ¹ / ₂ x 28	142	15	17 x 25 x 1
AUD1B080A9481A	4	64,000	80.0	4	Silicon Nitride	40 x 17 ¹ / ₂ x 28	142	15	17 x 25 x 1
AUD1C080A9601A	5	64,000	80.0	4	Silicon Nitride	40 x 21 x 28	154	20	20 x 25 x 1
AUD1B100A9361A	3	79,000	80.0	4	Silicon Nitride	40 x 17 ¹ / ₂ x 28	151	15	17 x 25 x 1
AUD1B100A9451A	4	80,000	80.0	4	Silicon Nitride	40 x 17 ¹ / ₂ x 28	153	15	17 x 25 x 1
AUD1C100A9481A	4	79,000	80.0	4	Silicon Nitride	40 x 21 x 28	162	15	20 x 25 x 1
AUD1C100A9601A	5	79,000	80.0	4	Silicon Nitride	40 x 21 x 28	162	20	20 x 25 x 1
AUD1D100A9721A	6	80,000	80.0	4	Silicon Nitride	40 x 24 ¹ / ₂ x 28	175	20	24 x 25 x 1
AUD1C120A9541A	5	96,000	80.0	4	Silicon Nitride	40 x 21 x 28	176	20	20 x 25 x 1
AUD1D120A9601A	5	96,000	80.0	4	Silicon Nitride	40 x 24 ¹ / ₂ x 28	186	20	24 x 25 x 1
AUD1D140A9601A	5	111,000	80.0	4	Silicon Nitride	40 x 24 ¹ / ₂ x 28	193	20	24 x 25 x 1



Freedom 80

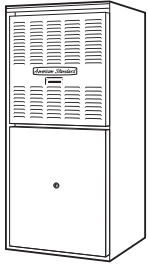
Table FUR-14-D — Downflow/Horizontal Left or Right Induced Draft Gas Furnace (115/1/60)

Unit Model No.	Airflow In Tons	Nominal Output (Btuh)	AFUE	Flue Size (in.)	Ignition Device	Uncrated Dimensions (in.) H x W x D	Shipping Weight (lbs.)	Max Fuse*	Filter** Sizes
ADD1A040A9241A	2	31,000	78.0	4	Silicon Nitride	40 x 14 ¹ / ₂ x 28	119	15	(2) 14 x 20 x 1
ADD1A060A9241A	2	48,000	80.0	4	Silicon Nitride	40 x 14 ¹ / ₂ x 28	129	15	(2) 14 x 20 x 1
ADD1A060A9361A	3	48,000	80.0	4	Silicon Nitride	40 x 14 ¹ / ₂ x 28	129	15	(2) 14 x 20 x 1
ADD1B060A9361A	3	48,000	80.0	4	Silicon Nitride	40 x 17 ¹ / ₂ x 28	134	15	(2) 14 x 20 x 1
ADD1B080A9361A	3	64,000	80.0	4	Silicon Nitride	40 x 17 ¹ / ₂ x 28	146	15	(2) 14 x 20 x 1
ADD1B080A9451A	4	64,000	80.0	4	Silicon Nitride	40 x 17 ¹ / ₂ x 28	146	15	(2) 14 x 20 x 1
ADD1B100A9451A	4	80,000	80.0	4	Silicon Nitride	40 x 17 ¹ / ₂ x 28	156	15	(2) 14 x 20 x 1
ADD1C100A9481A	4	80,000	80.0	4	Silicon Nitride	40 x 21 x 28	166	15	(2) 16 x 20 x 1
ADD1C100A9541A	5	81,000	80.0	4	Silicon Nitride	40 x 21 x 28	167	20	(2) 16 x 20 x 1
ADD1C120A9541A	5	96,000	80.0	4	Silicon Nitride	40 x 21 x 28	177	20	(2) 16 x 20 x 1
ADD1D120A9601A	5	96,000	80.0	4	Silicon Nitride	40 x 24 ¹ / ₂ x 28	189	20	(2) 16 x 20 x 1
ADD1D140A9601A	5	113,000	80.0	4	Silicon Nitride	40 x 24 ¹ / ₂ x 28	196	20	(2) 16 x 20 x 1

* Information subject to change. Please confirm with current Product Data/Service Facts for current factory production.

** Filters are not shipped with furnace.

American Standard 80 – Single Stage



American Standard 80

Table FUR-15-A — Upflow/Horizontal Left or Right Induced Draft Gas Furnace (115/1/60)

Unit Model No.	Airflow In Tons	Nominal Output (Btuh)	AFUE	Flue Size (in.)	Ignition Device	Uncrated Dimensions (in.) H x W x D	Shipping Weight (lbs.)	Max Fuse*	Filter** Sizes
AUE1A040A9241A	2	31,000	80.0	4	Silicon Carbide	40 x 14½ x 28	119	15	16 x 25 x 1
AUE1A060A9241A	2	47,000	80.0	4	Silicon Carbide	40 x 14½ x 28	124	15	16 x 25 x 1
AUE1A060A9361A	3	47,000	80.0	4	Silicon Carbide	40 x 14½ x 28	127	15	16 x 25 x 1
AUE1B060A9361A	3	47,000	80.0	4	Silicon Carbide	40 x 17½ x 28	132	15	17 x 25 x 1
AUE1B080A9361A	3	63,000	80.0	4	Silicon Carbide	40 x 17½ x 28	142	15	17 x 25 x 1
AUE1B080A9481A	4	64,000	80.0	4	Silicon Carbide	40 x 17½ x 28	142	15	17 x 25 x 1
AUE1B100A9361A	3	79,000	80.0	4	Silicon Carbide	40 x 17½ x 28	151	15	17 x 25 x 1
AUE1C100A9481A	4	79,000	80.0	4	Silicon Carbide	40 x 21 x 28	162	15	20 x 25 x 1
AUE1C100A9601A	5	79,000	80.0	4	Silicon Carbide	40 x 21 x 28	162	20	20 x 25 x 1
AUE1D120A9601A	5	96,000	80.0	4	Silicon Carbide	40 x 24½ x 28	186	20	24 x 25 x 1
AUE1D140A9601A	5	111,000	80.0	4	Silicon Carbide	40 x 24½ x 28	193	20	24 x 25 x 1

Table FUR-15-B — Downflow/Horizontal Left or Right Induced Draft Gas Furnace (115/1/60)

Unit Model No.	Airflow In Tons	Nominal Output (Btuh)	AFUE	Flue Size (in.)	Ignition Device	Uncrated Dimensions (in.) H x W x D	Shipping Weight (lbs.)	Max Fuse*	Filter** Sizes
ADE1A060A9361A	3	48,000	80.0	4	Silicon Carbide	40 x 14½ x 28	129	15	(2) 14 x 20 x 1
ADE1B060A9361A	3	48,000	80.0	4	Silicon Carbide	40 x 17½ x 28	134	15	(2) 14 x 20 x 1
ADE1B080A9451A	4	64,000	80.0	4	Silicon Carbide	40 x 17½ x 28	146	15	(2) 14 x 20 x 1
ADE1B100A9451A	4	80,000	80.0	4	Silicon Carbide	40 x 17½ x 28	156	15	(2) 14 x 20 x 1
ADE1C100A9601A	5	81,000	80.0	4	Silicon Carbide	40 x 21 x 28	167	20	(2) 16 x 20 x 1
ADE1D120A9601A	5	96,000	80.0	4	Silicon Carbide	40 x 24½ x 28	189	20	(2) 16 x 20 x 1

* Information subject to change. Please confirm with current Product Data/Service Facts for current factory production.

** Filters are not shipped with furnace.

Freedom 80 and American Standard 80 Convertible Gas Furnaces

	AUD2-ACV/ ADD2-ACV 2 Stage 1 or 2 Pipe ③	AUD2-9V ADD2-9V 2 Stage ③	AUD2/ ADD2 2 Stage	AUD1-H/ ADD1-H 1 Stage High Efficiency	AUD1/ ADD1 1 Stage	AUE1/ ADE1 1 Stage
Table FUR-16-A — Features						
• Comfort-R™ enhanced mode (cooling).....	✓	✓	—	—	—	—
• AccuLink™ system.....	✓	—	—	—	—	—
• Can be connected in communicating or 24V non-communicating modes. (also see communicating section).....	✓	—	—	—	—	—
• User interface for system configuration - Easy to use navigation buttons and plain text for clear description of features.....	✓	—	—	—	—	—
• Adjustable heating fan off timing.....	✓	✓	✓	✓	✓	✓
• Alternate bottom/left/right return air (upflow models only).....	✓	✓	✓	✓	✓	✓
• Attractive color accents.....	—	✓	✓	✓	✓	—
• Blower door safety switch.....	✓	✓	✓	✓	✓	✓
• Bottom Panel (upflow models only).....	✓	✓	✓	✓	✓	—
• Cleanable/reusable high velocity filters.....	✓	✓	—	✓	—	—
• Common vent capability.....	✓	✓	✓	✓	✓	—
• Complete front service access.....	✓	✓	✓	✓	✓	✓
• Direct drive, multi-speed (PSC) blower motor.....	—	—	✓	✓	✓	✓
• Direct drive, multi-speed ECM blower motor (high efficiency)*.....	—	—	—	✓	—	—
• Direct drive, variable speed ECM blower motor**.....	✓	✓	—	—	—	—
• Gasketed blower door.....	✓	✓	✓	✓	✓	—
• Heavy gauge reinforced wrap-around steel cabinet.....	✓	✓	✓	✓	✓	✓
• Horizontal left/right without conversion required.....	✓	✓	✓	✓	✓	✓
• Humidifier/EAC hook-up capability.....	✓	✓	✓	✓	✓	—
• Inner blower door panel (downflow models only).....	✓	✓	✓	✓	✓	—
• Insulated blower compartment 4 sides (upflow models only).....	✓	✓	✓	✓	✓	—
• Integrated solid state control w/self diagnostics.....	✓	✓	✓	✓	✓	✓
• Internal filter rack (upflow models only).....	✓	✓	—	✓	—	—
• Left/right gas connection.....	✓	✓	✓	✓	✓	—
• Manual reset flame roll out switches.....	✓	✓	✓	✓	✓	✓
• Masonry Chimney Venting w/BAYVENT800B.....	✓	✓	✓	✓	✓	—
• Multi-port in shot burners.....	✓	✓	✓	✓	✓	—
• Painted cabinet single color.....	—	—	—	—	—	✓
• Perfect fit door latches (upflow models only).....	✓	✓	✓	✓	✓	—
• Right or left hand side knock out for venting (downflow models only).....	✓	✓	✓	✓	✓	✓
• Selectable cooling fan off delay eliminates need for time delay relay BAY24X045.....	—	✓	✓	✓	✓	✓
• Service diagnostic capabilities.....	✓	✓	✓	✓	✓	—
• Service diagnostics with faults reported at the user interface.....	✓	—	—	—	—	—
• Side return starter tabs (upflow models only).....	✓	✓	✓	✓	✓	✓
• Silicon Carbide hot surface igniter with adaptive heat up.....	—	—	—	—	—	✓
• Silicon Nitride hot surface igniter with adaptive heat up.....	✓	✓	✓	✓	✓	—
• Single door filter access.....	—	—	✓	✓	✓	—
• Single wire twinning.....	—	—	✓	✓	✓	—
• Slide out blower assembly.....	✓	✓	✓	✓	✓	✓
• 3-way vent option on downflow models (top,right or left) (downflow models only).....	—	✓	✓	✓	✓	✓
• 20 gauge aluminized steel heat exchanger.....	✓	✓	✓	✓	✓	✓
• 24 volt secondary fuse.....	✓	✓	✓	✓	✓	✓
• Two heating blower speeds.....	✓	✓	✓	—	—	—
• Two speed venter motor.....	✓	✓	✓	—	—	—
• Two tone color.....	✓	✓	✓	✓	✓	—
• Two-stage gas valve.....	✓	✓	✓	—	—	—
• Registered limited lifetime heat exchanger warranty and 10-year on all other functional parts (Residential Use)®	✓	✓	—	—	—	—
• 20-year heat exchanger limited warranty and 5-year on all other functional parts (Residential Use)	—	—	✓	✓	✓	✓
• Optional extended warranties available	✓	✓	✓	✓	✓	✓

① Freedom 80 furnace with integrated AccuClean™ technology is upflow or upflow/horizontal application only.
 ② Registered Limited Warranty terms are available when you register within 60 days of installation. You can register online at americanstandardair.com or by phone at 800-554-8005; otherwise American Standard Heating & Air Conditioning's Base Limited Warranty terms will apply. Base Limited Warranty information on specific products can be found on ASDealerNet.com.
 ③ Variable Speed
 Note: Variable speed furnaces should not be twinned and are not approved for twinning applications.
 *Constant torque ECM (electronically commutated motor).
 **Constant airflow ECM (electronically commutated motor).

For complete equipment / combination selections, installation instructions and warranty information, please refer to Product Data/Ratings and/or Installers Guides and Limited Warranty Handbooks.

Freedom 80 and American Standard 80 Convertible Gas Furnaces

Table FUR-17-A — Optional Accessories

Model Number	Description	Shipping Weight	AUD2-ACV/ADD2-ACV 2 Stage Variable Speed	AUD2-9V/ ADD2-9V 2-Stg. Variable Speed
BAYBASE205	Downflow subbase for downflow models only	8	✓	✓
BAYFLTR200	Side Filter Rack (External)	5	✓	✓
BAYFLTR203	Filter kit horiz conversion for 17.5" cabinet	3	✓	✓
BAYFLTR204	Filter kit horiz conversion for 21" cabinet	3	✓	✓
BAYFLTR205	Filter kit horiz conversion or 24.5" cabinet	3	✓	✓
BAYFLTR206	Filter Access Door Kit	2	✓	✓
BAYFLTR321 ^①	Cleanable filter for 21" cabinet upflow only	2	✓	✓
BAYFLTR324 ^①	Cleanable filter for 24.5" cabinet upflow only	2	✓	✓
BAYLPKT210B	Propane conversion kit	1	✓	✓
BAYLPSS210B	LP Kit with Stainless Steel Burners	1	✓	✓
BAYRACK960A ^②	Filter Rack Kit for upflow models only (internal)	5	✓	✓
BAYVENT800B	Masonry chimney vent kit	2	✓	✓

① Contains one (1) high velocity filter.

② Internal filter rack for side or bottom return air. Includes 17 x 25" cleanable filter for use in side return applications. Bottom return applications require different sizes of filters which are not included. Airflow requirements over 1800 CFM require filters on both sides or a side and bottom or bottom only.

③ Freedom 80 furnace with integrated AccuClean™ technology is upflow or upflow/horizontal application only.

Note: Variable speed furnaces should not be twinned and are not approved for twinning applications.

Table FUR-17-B — Optional Accessories

Model Number	Description	Shipping Weight	AUD2/ADD2 2 Stage	AUD1-H/ADD1-H 1 Stage High Efficiency	AUD1/ADD1 1 Stage	AUE1/ADE1 1 Stage
BAYBASE205	Downflow subbase for downflow models only	8	✓	✓	✓	✓
BAYFLTR200	Side Filter Rack (External)	5	✓	✓	✓	—
BAYFLTR203	Filter kit horiz conversion for 17.5" cabinet	3	✓	✓	✓	✓
BAYFLTR204	Filter kit horiz conversion for 21" cabinet	3	✓	✓	✓	✓
BAYFLTR205	Filter kit horiz conversion or 24.5" cabinet	3	✓	✓	✓	✓
BAYFLTR206	Filter Access Door Kit	2	✓	✓	✓	✓
BAYFLTR317 ^①	Cleanable filter for 14.5" and 17.5" cabinet upflow only	2	✓	✓	✓	✓
BAYFLTR321 ^①	Cleanable filter for 21" cabinet upflow only	2	✓	✓	✓	✓
BAYFLTR324 ^①	Cleanable filter for 24.5" cabinet upflow only	2	✓	✓	✓	✓
BAYLPKT210B	Propane conversion kit	1	✓	✓	✓	✓
BAYLPSS210B	LP Kit with Stainless Steel Burners	1	✓	✓	✓	✓
BAYRACK960A ^②	Filter Rack Kit for upflow models only (internal)	5	✓	✓	✓	✓
BAYVENT800B	Masonry chimney vent kit	2	✓	✓	✓	✓

① Contains one (1) high velocity filter.

② Internal filter rack for side or bottom return air. Includes 17 x 25" cleanable filter for use in side return applications. Bottom return applications require different sizes of filters which are not included. Airflow requirements over 1800 CFM require filters on both sides or a side and bottom or bottom only.

Note: Variable speed furnaces should not be twinned and are not approved for twinning applications.

Special Use Furnace Accessories

Table FUR-17-C — High Altitude Pressure Switch 80%

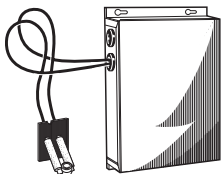
Model	Description	Used With	Shipping Weight
BAYHALT248	1 Switch	AUD1,ADD1,AUE1,ADE1	2
BAYHALT249	1 Switch	AUD-R-K,ADD-R-F,AUD2,ADD2	2

Table FUR-17-D — Dual Fuel Heat Pump Control Kit^{①②}

Model Number	Case Height	Used With
TAYPLUS103A	Heat Pump Control Kit	Gas, LP, Oil and Electric Furnaces
TAYSTAT250B	Outdoor Thermostat	TAYPLUS103A for Restricted Mode

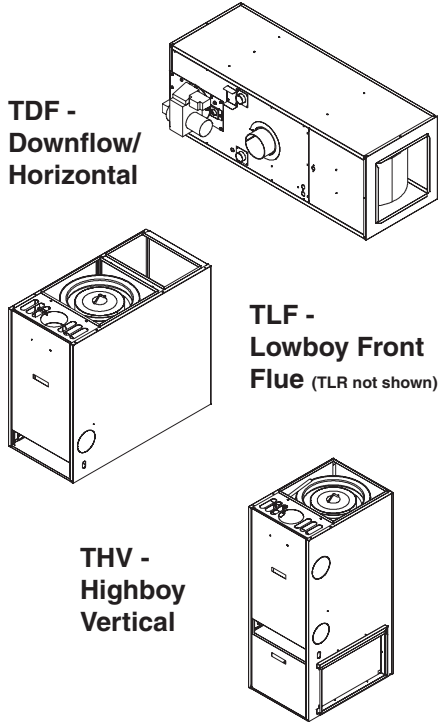
① Factory wired for non-restricted mode, can be wired for restricted mode.

② Applicable for all furnaces with 35 VA or larger low voltage transformer (separate high voltage power not required).



Bonnet Switch
TAYPLUS103A

Variable Speed High Efficiency Oil Furnaces



- Up to 85% Annual Fuel Utilization Efficiency (AFUE)
- 13 gauge hot rolled steel wrap around heat exchanger for durability
- Beckett Flame Retention Burner operates cleanly and quietly
- Burner features include primary control with interrupted ignition for reliability, pre-purge and clean cutoff solenoid valve for smooth ignition
- Burner and controls factory wired
- Dual clean out ports for quick access and easy cleaning
- Insulated blower compartment
- Variable speed blower motor
- Slide out blower assembly for quick cleaning and service accessibility
- Filter rack with cleanable filter (Highboy & Lowboy Models only)
- Preformed ceramic fiber combustion chamber for higher efficiencies and more complete combustion
- 40 VA control transformer for add on cooling
- Heavy gauge, powder painted steel cabinet
- Recessed door handles for easy removal of Highboy & lowboy Furnace doors
- Lowboy models available with front or rear flue option
- Highboy models with top or right side venting
- Downflow/Horizontal model field convertible from Downflow to right or left horizontal
- 6" Left and Right side fresh air knockouts – (Highboy and Lowboy Models only)
- Barometric draft regulator included
- **Registered limited lifetime heat exchanger warranty and 10-year on all other functional parts (Residential Use)**^③
- **Optional extended warranties available**

Table FUR-18-A — Specifications:

Model Number	Airflow In Tons (Nom.)	Nominal Cap-BTUH *Htg Output	ICS AFUE	Flue Size	Uncrated Dimensions(In.)			Shipping Weight
					H	W	D	
THV1M087A9V3SA	3	87,000	82.9	6"	58	22.25	31	260
THV1M087A9V5SA	5	87,000	82.6	6"	58	22.25	31	260
TLF1M087A9V3SA	3	87,000	82.9	6"	41.5	22.25	47	300
TLF1M087A9V5SA	5	87,000	82.7	6"	41.5	22.25	47	300
TLR1M087A9V3SA	3	87,000	85.0**	6"	41.5	22.25	47	300
TLR1M087A9V5SA	5	87,000	82.4	6"	41.5	22.25	47	300
TDF1M087A9V3SA	3	87,000	84.8	6"	22.25	61.25	22.25	280
TDF1M087A9V5SA	5	87,000	82.6	6"	22.25	61.25	22.25	280

* Other input/output capacities are available by changing the burner nozzle. See installer's guide for details.

** Energy Star.

Table FUR-18-B — Accessories:

Model	Description	Used With	Shipping Weight
BAYSUB10ABASEA	Downflow Subbase	TDF1M087A9V3, 9V5SAA	22
BAYTRM10AVENTA	Top Panel & Trim Ring	THV1M087A9V3, 9V5SAA	1

Table FUR-18-C — Dual Fuel Heat Pump Control Kit^{①②}

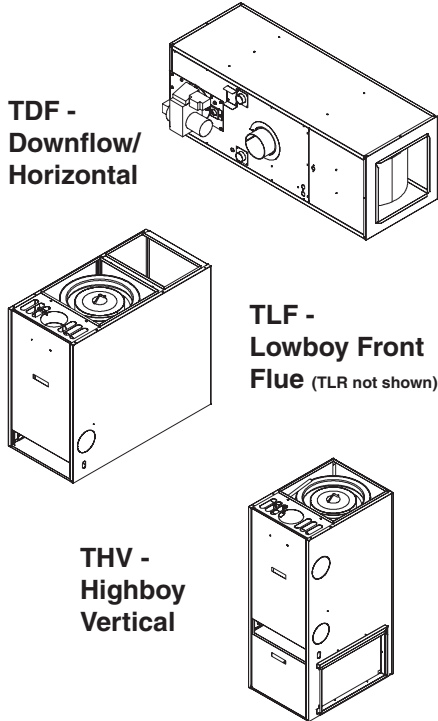
Model Number	Case Height	Used With
TAYPLUS103A.....	Heat Pump Control Kit.....	Gas, LP., Oil and Electric Furnaces
TAYSTAT250B.....	Outdoor Thermostat.....	TAYPLUS103A for Restricted Mode
THT1248.....	Bonnet Switch.....	Oil Furnaces Only (Order Separately)

① Factory wired for non-restricted mode, can be wired for restricted mode.

② Applicable for all furnaces with 35 VA or larger low voltage transformer (separate high voltage power not required).

③ Registered Limited Warranty terms are available when you register within 60 days of installation. You can register online at americanstandardair.com or by phone at 800-554-8005; otherwise American Standard Heating & Air Conditioning's Base Limited Warranty terms will apply. Base Limited Warranty information on specific products can be found on ASDealerNet.com.

High Efficiency Oil Furnaces



- Up to 85% Annual Fuel Utilization Efficiency (AFUE)
- 13 gauge hot rolled steel wrap around heat exchanger for durability
- Beckett Flame Retention Burner operates cleanly and quietly
- Burner features include primary control with interrupted ignition for reliability, pre-purge and clean cutoff solenoid valve for smooth ignition
- Burner and controls factory wired
- Dual clean out ports for quick access and easy cleaning
- Direct drive, permanently lubricated, 4 speed blower motor
- Insulated blower compartment
- Slide out blower assembly for quick cleaning and service accessibility
- Filter rack with washable filter (Highboy & Lowboy Models only)
- Preformed ceramic fiber combustion chamber for higher efficiencies and more complete combustion
- 40 VA control transformer for add on cooling
- Heavy gauge, powder painted steel cabinet
- Recessed door handles for easy removal of Highboy & lowboy Furnace doors
- Lowboy models available with front or rear flue option
- Highboy models with top or right side venting
- Downflow/Horizontal model field convertible from Downflow to right or left horizontal
- 6" Left and Right side fresh air knockouts – (Highboy and Lowboy Models only)
- Barometric draft regulator included
- **Registered limited lifetime heat exchanger warranty and 5-year on all other functional parts (Residential Use)**^③
- **Optional extended warranties available**

Table FUR-19-A — Specifications:

Model Number	Airflow In Tons (Nom.)	Nominal Cap-BTUH *Htg Output	ICS AFUE	Flue Size	Uncrated Dimensions(In.)			Shipping Weight
					H	W	D	
THV1M087A936SA	3	87,000	82.9	6"	58	22.25	31	260
THV1M087A948SA	4	87,000	82.6	6"	58	22.25	31	260
TLF1M087A936SA	3	87,000	82.9	6"	41.5	22.25	47	300
TLF1M087A948SA	4	87,000	82.7	6"	41.5	22.25	47	300
TLR1M087A936SA	3	87,000	85.0**	6"	41.5	22.25	47	300
TLR1M087A948SA	4	87,000	82.4	6"	41.5	22.25	47	300
TDF1M087A936SA	3	87,000	84.8	6"	22.25	61.25	22.25	280
TDF1M087A948SA	4	87,000	82.6	6"	22.25	61.25	22.25	280

* Other input/output capacities are available by changing the burner nozzle. See installer's guide for details.

** Energy Star.

Table FUR-19-B — Accessories:

Model	Description	Used With	Shipping Weight
BAYSUB10ABASEA	Downflow Subbase	TDF1M087A936, 948SAA	22
BAYTRM10AVENTA	Top Panel & Trim Ring	THV1M087A936, 948SAA	1

Table FUR-19-C — Dual Fuel Heat Pump Control Kit^{①②③}

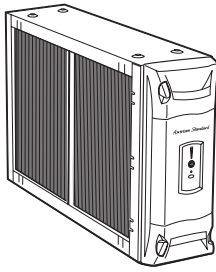
Model Number	Case Height	Used With
TAYPLUS103A.....	Heat Pump Control Kit	Gas, LP., Oil and Electric Furnaces
TAYSTAT250B.....	Outdoor Thermostat.....	TAYPLUS103A for Restricted Mode
THT1248.....	Bonnet Switch.....	Oil Furnaces Only (Order Separately)

① Factory wired for non-restricted mode, can be wired for restricted mode.

② Applicable for all furnaces with 35 VA or larger low voltage transformer (separate high voltage power not required).

③ Registered Limited Warranty terms are available when you register within 60 days of installation. You can register online at americanstandardair.com or by phone at 800-554-8005; otherwise American Standard Heating & Air Conditioning's Base Limited Warranty terms will apply. Base Limited Warranty information on specific products can be found on ASDealerNet.com.

AccuClean™ Whole Home Air Cleaner



AccuClean™ Whole Home Air Cleaner:

- **AccuClean™** removes up to 99.98% of allergens from the filtered air
- Removes particles down to .1 micron in size
- Outperforms HEPA, and up to 100 times more effective than a standard 1" filter
- Constructed of heavy 18 gage metal to protect the filter and internal electronics
- Power door provides easy access to internal components and features a filter status display as well as safety interlocks that automatically shut down the power when the door is opened for maintenance or cleaning
- Designed for flush fit on both sides and rear of equipment cabinet
- No transitions required on **AccuClean™** applications
- Gaskets included with the air cleaner
- **AccuLink™** communicating or 24 volt capability
- **10-year electronics warranty**
- **5-year parts warranty**

Table IAQ-1-A – Air Handler – 24 Volt AccuClean™ Whole Home Air Cleaner

Model Number	Airflow Range	AccuClean™ Air Handler Width	Uncrated Dimensions(in.) H x W x D	Shipping Weight
AFD175CLAH000C	300-1200	17½ inch	7½ x 17½ x 21	37
AFD215CLAH000C	300-1200	21½ inch	7½ x 21½ x 21	42
AFD235CLAH000C	350-1600	23½ inch	7½ x 23½ x 21	44
AFD260CLAH000C	400-2000	26 inch	7½ x 26 x 21	46

Table IAQ-1-B – Upflow / Side Return Furnace – 24 Volt AccuClean™ Whole Home

Model Number	Airflow Range	AccuClean™ Furnace Width	Uncrated Dimensions(in.) H x W x D	Shipping Weight
AFD145CLFR000C	300-1200	14½ inch ^①	7½ x 14½ x 27	39
AFD175CLFR000C	300-1600	17½ inch ^①	7½ x 17½ x 27	43
AFD210CLFR000C	300-2000	21 inch ^②	7½ x 21 x 27	47
AFD245CLFR000C	400-2000	24½ inch ^②	7½ x 24½ x 27	49

Table IAQ-1-C – Downflow Furnace – 24 Volt AccuClean™ Whole Home

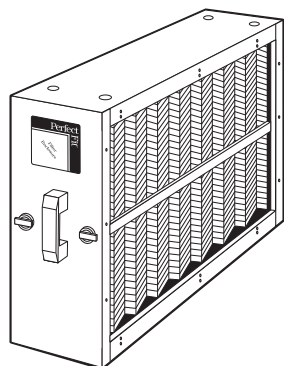
Model Number	Airflow Range	AccuClean™ Furnace Width	Uncrated Dimensions(in.) H x W x D	Shipping Weight
AFD14DCLFR000C	300-1200	14½ inch	7½ x 14½ x 21	33
AFD17DCLFR000C	300-1600	17½ inch	7½ x 17½ x 21	37
AFD21DCLFR000C	300-2000	21 inch	7½ x 21 x 21	41
AFD24DCLFR000C	400-2000	24½ inch	7½ x 24½ x 21	45

Table IAQ-1-D — Accessories – AccuClean™ Whole Home

Model Number	Description	Used With	Shipping Weight
BAYTRANS12024	120 to 24 Volt Transformer	All AFD Air Cleaners	6

- ① Side return no transition required.
② Side return transition required.

Perfect Fit™ Media Filters



- Three sizes to flush fit TEE/TEP 6-way convertible Air Handler return
- Four sizes to flush fit bottom of American Standard furnaces
- TFP175, TFM175 (17½") bottom return model can be used for a Perfect Fit™ side return on all furnace models
- Air Cleaners designed for flush fit on both sides and rear of equipment cabinet
- All service and access is from the front of the air cleaner
- **Air-Tite™** Door construction eliminates air leaks, improves air quality and keeps operating costs low
- Gaskets included with the air cleaner

Table IAQ-2-A – Air Handler Perfect Fit™ High Efficiency Air Cleaner With Five (5) Inch Expandable Media Filter

Model Number	Airflow Range	Perfect Fit™ Air Handler Width	Uncrated Dimensions(in.) H x W x D	Shipping Weight	Return Air Opening③
TFM215B0AH0	300-1400	21½ inch	7½ x 21½ x 21	22	18⅞ x 18⅞
TFM235B0AH0	300-1700	23½ inch	7½ x 23½ x 21	24	20⅞ x 18⅞
TFM260B0AH0	400-2100	26 inch	7½ x 26 x 21	25	23⅞ x 18⅞

Table IAQ-2-B – Furnace Perfect Fit™ High Efficiency Air Cleaner With Five (5) Inch Expandable Media Filter

Model Number	Airflow Range	Perfect Fit™ Furnace Width	Uncrated Dimensions(in.) H x W x D	Shipping Weight	Return Air Opening③
TFM145B0FR0	300-1200	14½ inch①	7½ x 14½ x 27	18	11⅞ x 24 ¹³ / ₁₆
TFM175B0FR0	300-1500	17½ inch①	7½ x 17½ x 27	21	14⅞ x 24 ¹³ / ₁₆
TFM210B0FR0	300-2000	21 inch②	7½ x 21 x 27	24	18 ³ / ₈ x 24 ¹³ / ₁₆
TFM245B0FR0	400-2000	24½ inch②	7½ x 24½ x 27	27	21⅞ x 24 ¹³ / ₁₆

Table IAQ-2-C – Downflow Furnace Perfect Fit™ High Efficiency Air Cleaner With Five (5) Inch Expandable Media Filter

Model Number	Airflow Range	Perfect Fit™ Furnace Width	Uncrated Dimensions(in.) H x W x D	Shipping Weight	Return Air Opening③
TFM14DA0FR0	300-1200	14½ inch	7½ x 14½ x 21	17	11⅞ x 18⅞
TFM17DA0FR0	300-1500	17½ inch	7½ x 17½ x 21	19	14⅞ x 18⅞
TFM21DA0FR0	300-2000	21 inch	7½ x 21 x 21	22	18 ³ / ₈ x 18⅞
TFM24DA0FR0	400-2000	24½ inch	7½ x 24½ x 21	24	21⅞ x 18⅞

Table IAQ-2-D – Air Handler Perfect Fit™ Medium Efficiency Air Cleaner With One (1) Inch Pleated Filter

Model Number	Airflow Range	Perfect Fit™ Air Handler Width	Uncrated Dimensions(in.) H x W x D	Shipping Weight	Return Air Opening③
TFP215A0AH1	300-1200	21½ inch	7½ x 21½ x 21	20	18⅞ x 18⅞
TFP235A0AH1	300-1500	23½ inch	7½ x 23½ x 21	22	20⅞ x 18⅞
TFP260A0AH1	400-1800	26 inch	7½ x 26 x 21	24	23⅞ x 18⅞

Table IAQ-2-E – Furnace Perfect Fit™ Medium Efficiency Air Cleaner With One (1) Inch Pleated Filter

Model Number	Airflow Range	Perfect Fit™ Furnace Width	Uncrated Dimensions(in.) H x W x D	Shipping Weight	Return Air Opening③
TFP145A0FR1	300-1200	14½ inch①	7½ x 14½ x 27	17	11⅞ x 24 ¹³ / ₁₆
TFP175A0FR1	300-1500	17½ inch①	7½ x 17½ x 27	19	14⅞ x 24 ¹³ / ₁₆
TFP210A0FR1	400-1800	21 inch②	7½ x 21 x 27	22	18 ³ / ₈ x 24 ¹³ / ₁₆
TFP245A0FR1	400-2000	24½ inch②	7½ x 24½ x 27	25	21⅞ x 24 ¹³ / ₁₆

- ① Side return no transition required.
 ② Side return transition required.
 ③ Actual opening does not include flange.

Table IAQ-3-A — Furnace Enclosure Filters

Model			Enclosure	Shipping
Number	Description	Qty	Used with	Weight
BAYFTFR14P4	1" Pleated Filter	4 / Box	14 1/2	3
BAYFTFR17P4	1" Pleated Filter	4 / Box	17 1/2	3
BAYFTFR21P4	1" Pleated Filter	4 / Box	21	3
BAYFTFR24P4	1" Pleated Filter	4 / Box	24 1/2	3
BAYFTFR14M2	5" Media Filter	2 / Box	14 1/2	5
BAYFTFR17M2	5" Media Filter	2 / Box	17 1/2	5
BAYFTFR21M2	5" Media Filter	2 / Box	21	5
BAYFTFR24M2	5" Media Filter	2 / Box	24 1/2	6
BAYFTFREXM2	Expandable 5" Cartridge Media Filter	2 / Box	14 1/2-24 1/2	5

Table IAQ-3-B — Air Handler Enclosure Filters

Model			Enclosure	Shipping
Number	Description	Qty	Used with	Weight
BAYFTA21P4	1" Pleated Filter	4 / Box	21 1/2	3
BAYFTA23P4	1" Pleated Filter	4 / Box	23 1/2	3
BAYFTA26P4	1" Pleated Filter	4 / Box	26	3
BAYFTA21M2	5" Media Filter	2 / Box	21 1/2	5
BAYFTA23M2	5" Media Filter	2 / Box	23 1/2	5
BAYFTA26M2	5" Media Filter	2 / Box	26	6
BAYFTAHEXM2	Expandable 5" Cartridge Media Filter	2 / Box	21 1/2-26	5

Table IAQ-3-C — Downflow Cartridge Media

Model			Enclosure	Shipping
Number	Description	Qty	Used with	Weight
BAYFTDN14M2	5" Downflow Media Filter	2/ Box	14 D	5
BAYFTDN17M2	5" Downflow Media Filter	2/ Box	17 D	5
BAYFTDN21M2	5" Downflow Media Filter	2/ Box	21 D	5
BAYFTDN24M2	5" Downflow Media Filter	2/ Box	24 D	5

Table IAQ-3-D — Furnace Frames

Model			Enclosure	Shipping
Number	Description	Qty	Used with	Weight
BAYFRAME145①	Expandable Media Filter	1/ Box	14 1/2	5
BAYFRAME175①	Expandable Media Filter	1/ Box	17 1/2	5
BAYFRAME210①	Expandable Media Filter	1/ Box	21	5
BAYFRAME245①	Expandable Media Filter	1/ Box	24 1/2	5

Table IAQ-3-E — Air Handler Frames

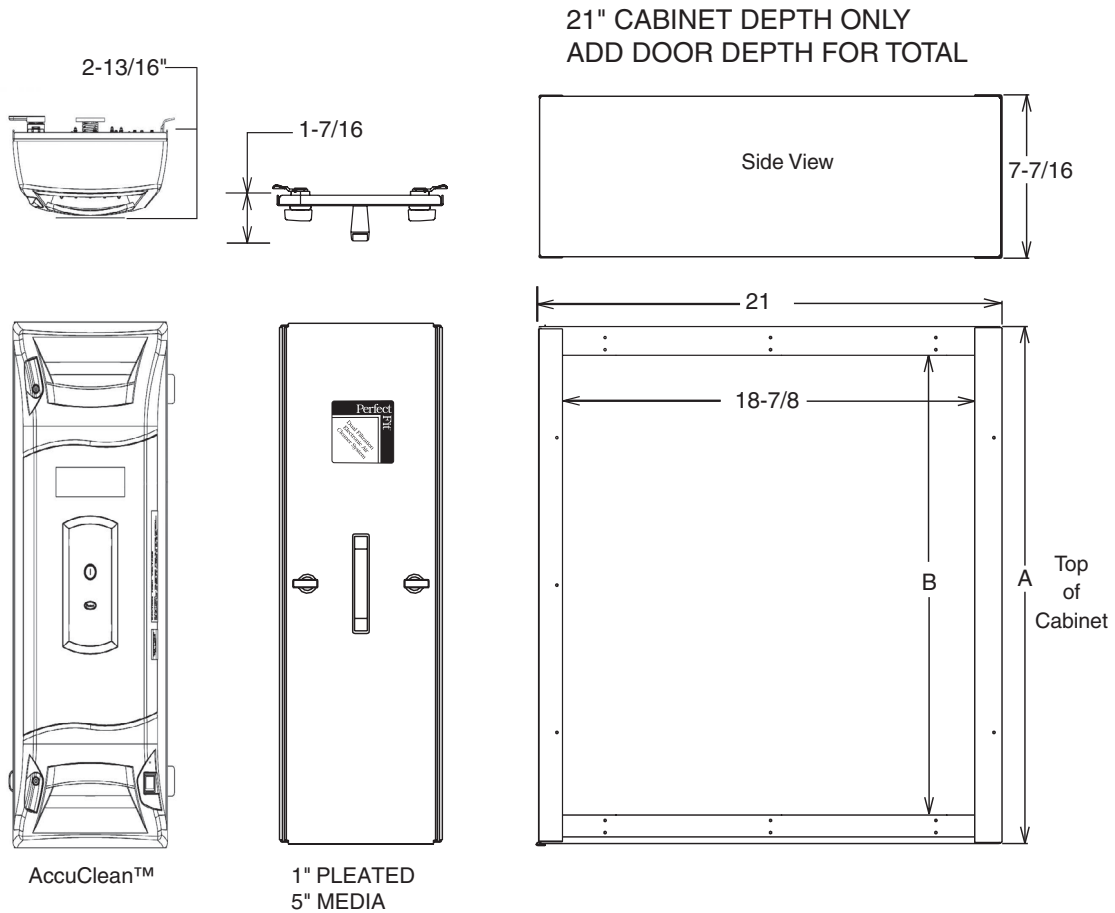
Model			Enclosure	Shipping
Number	Description	Qty	Used with	Weight
BAYFRAME215①	Expandable Media Frame	1/ Box	21	5
BAYFRAME235①	Expandable Media Frame	1/ Box	23 1/2	5
BAYFRAME260①	Expandable Media Frame	1/ Box	26	5

① Includes one filter.

Table IAQ-4-A — Air Handler Filters

AIR HANDLER MODEL NUMBER				
1" Pleated Filter	5" Media Filter	AccuClean™	A	B
TFP215A0AH0	TFM215A0AH0	AFD215CLAH000C	21-1/2	19
TFP235A0AH0	TFM235A0AH0	AFD235CLAH000C	23-1/2	21
TFP260A0AH0	TFM260A0AH0	AFD260CLAH000C	26	23-1/2

OUTLINE DRAWING AIR HANDLER MODELS



Perfect Fit™

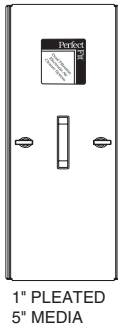
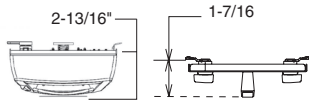


Table IAQ-5-A — Upflow Furnace Filters

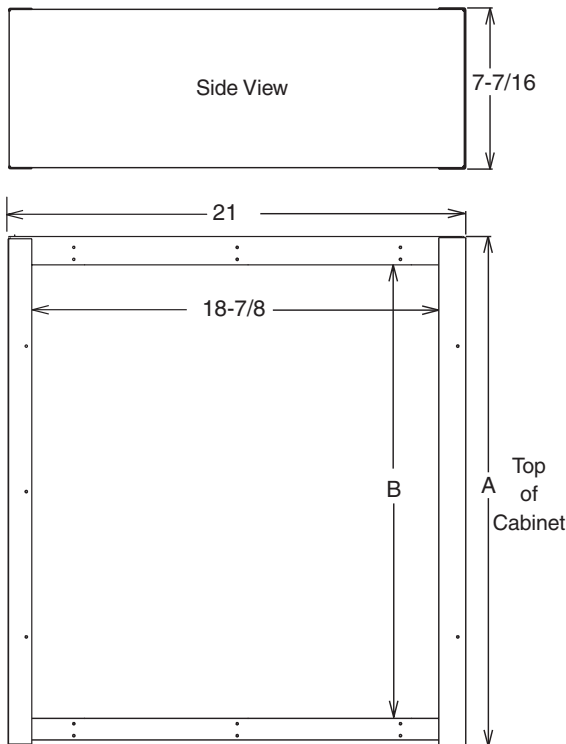
FURNACE MODEL NUMBER				
1" Pleated Filter	5" Media Filter	AccuClean™	A	B
TFP145A0FR0	TFM145A0FR0	AFD145CLFR000C	14-1/2	12
TFP175A0FR0	TFM175A0FR0	AFD175CLFR000C	17-1/2	15
TFP210A0FR0	TFM210A0FR0	AFD210CLFR000C	21	18-1/2
TFP245A0FR0	TFM245A0FR0	AFD245CLFR000C	24-1/2	22

Table IAQ-5-B — Downflow Furnace Filters

FURNACE MODEL NUMBER			
5" Media Filter	AccuClean™	A	B
TFM14DA0FR0	AFD14DCLFR000C	14-1/2	11-7/8
TFM17DA0FR0	AFD17DCLFR000C	17-1/2	14-7/8
TFM21DA0FR0	AFD21DCLFR000C	21	18-3/8
TFM24DA0FR0	AFD24DCLFR000C	24-1/2	21-7/8

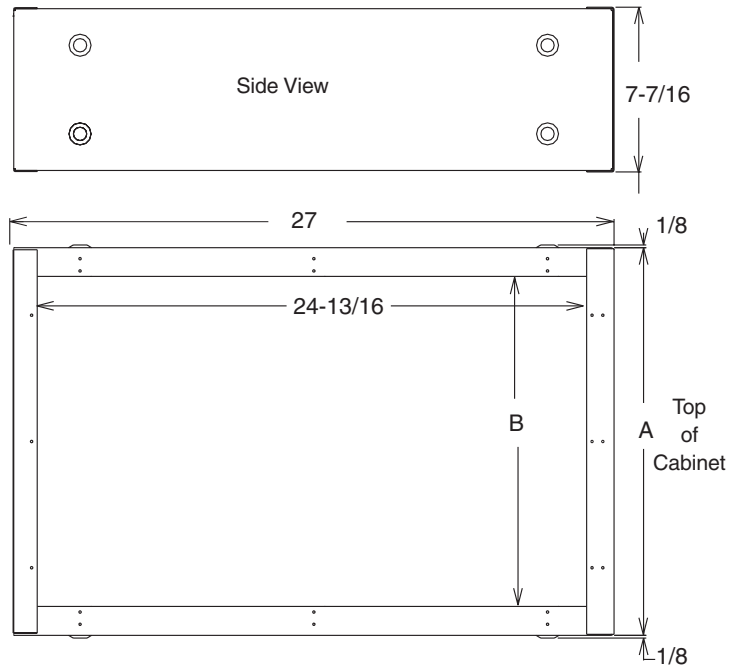
**OUTLINE DRAWING
DOWNFLOW FURNACE MODELS**

21" CABINET DEPTH ONLY
ADD DOOR DEPTH FOR TOTAL

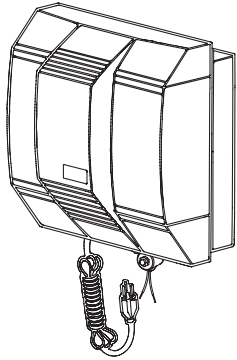


OUTLINE DRAWING UPFLOW FURNACE MODELS

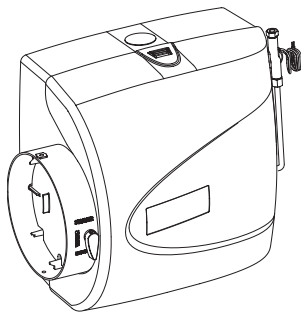
27" CABINET DEPTH ONLY
ADD DOOR DEPTH FOR TOTAL



Humidifiers Fan Powered and Bypass



AHUMD500A



AHUMD200A, 300A

AHUMD500A

- Flow Through Fan Powered Humidifier
- High Performance Humidifier Delivers up to 18 Gallons per Day
- Automatic Humidifier Control with O.D. Sensor for up to 50% more Humidity
- Front Cover Access for easy replacement of humidifier pad
- Aluminum Humidifier Pad Treated with Ceramic Coating for Enhanced Pad Performance
- Reliable Brass Solenoid Valve w/Stainless Steel Valve Seat
- UV Resistant Cabinet and Scale Control Insert
- Saddle Valve
- Polyslate Gray Housing matches Furnace Cabinet Color
- Decorative nameplate
- 120V Power Line Cord

AHUMD200,300A

- AHUMD300A Bypass delivers up to 17 Gallons per day
- AHUMD200A delivers up to 12 Gallons per day
- AHUMD300A Automatic Humidifier Control and O.D. Sensor for up to 50% more Humidity
- AHUMD200A Manual Humidifier Control
- UV Resistant Cabinet and Scale Control Insert
- Front Cover Access for easy replacement of humidifier pad
- Aluminum Humidifier Pad Treated with Ceramic Coating for Enhanced Pad Performance
- Reliable Brass Solenoid Valve w/Stainless Steel Valve Seat
- Field Convertible Duct Connection, Left or Right Side
- Built in Summer / Winter Damper
- UV Resistant Cabinet and Scale Control Insert
- Saddle Valve
- Polyslate Gray Housing matches Furnace Cabinet Color
- Decorative nameplate
- 110V Primary/24V Secondary, 10VA transformer

Table IAQ-6-A — Specifications: Humidifier with Humidistat

Model Number	Description	Used With	Mfg. Plant	Shipping Weight
AHUMD500APA00B ^{①④}	Fan Powered Humidifier	All Furnace Models	TY	20
AHUMD300ABA00B ^②	Large Bypass Humidifier	All Furnace Models	TY	15
AHUMD200ABM00B ^③	Small Bypass Humidifier	All Furnace Models	TY	14

^① Includes Automatic Humidifier Control (Duct Mount Only).

^② Includes Automatic Humidifier Control (Duct Mount Only) and 120/24V transformer.

^③ Includes Manual Humidifier Control and 120/24V transformer.

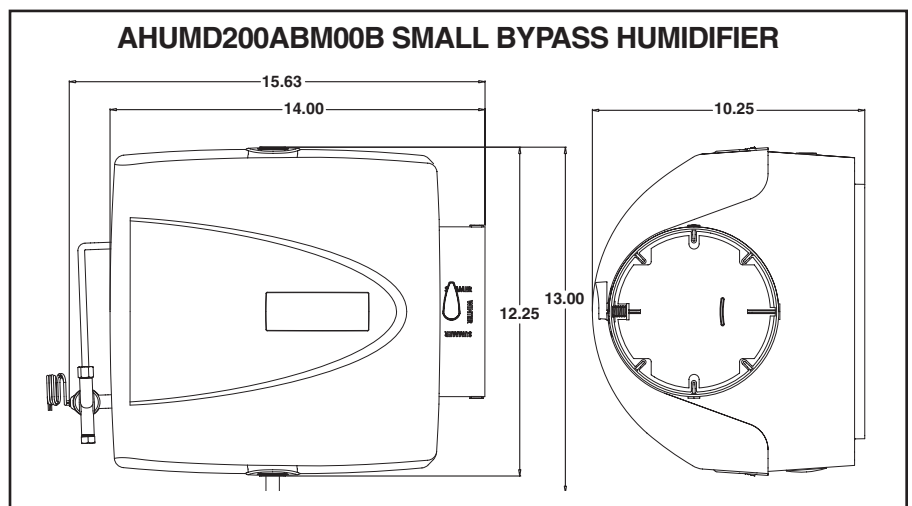
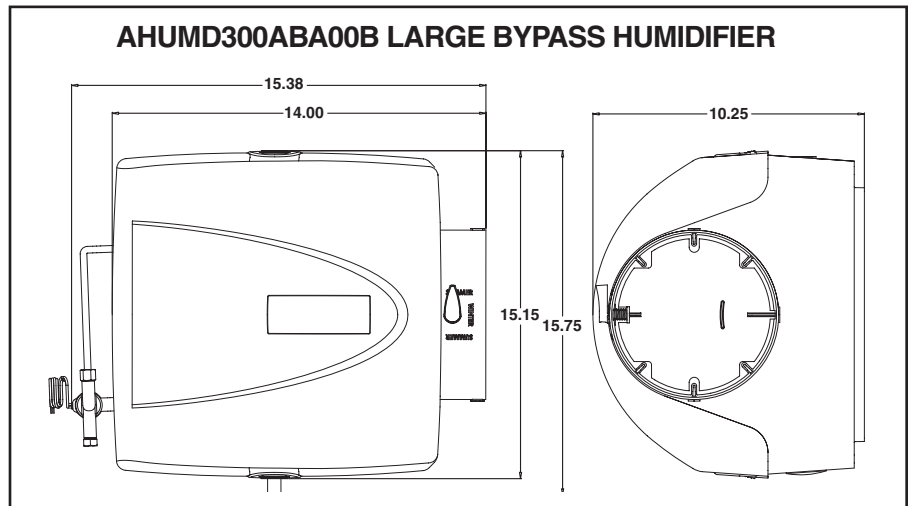
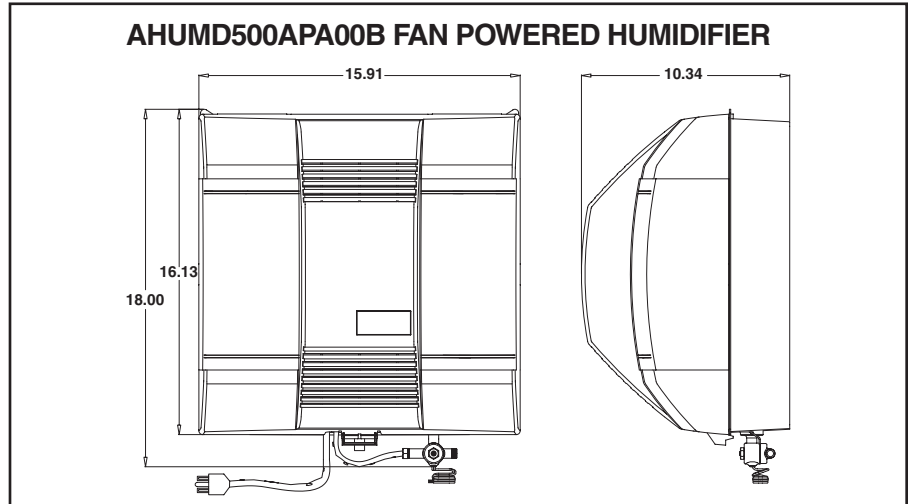
^④ Not applicable for horizontal installations.

Table IAQ-6-B — Accessories

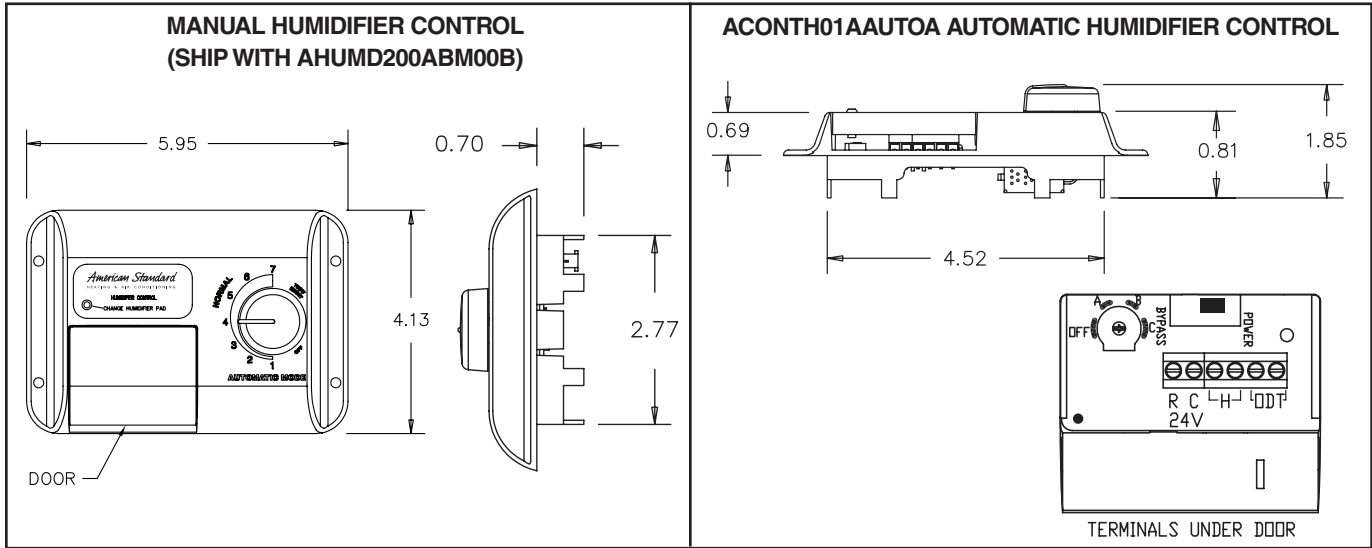
Model Number	Description	Used With	Mfg. Plant	Shipping Weight
BAYPAD02A1310A	Large Humidifier Pad 13"x10"	AHUMD500,300A	TY	1
BAYPAD01A1010A	Small Humidifier Pad 9-7/8"x9-5/8"	AHUMD200A	TY	1
ACONTH01AAUTOA	Automatic Humidifier Control	AHUMD200A	TY	1
BAYRLY10ASENSA	Current Sensing Relay	All	TY	1
BAYPLT01AMHCOA	Adapter Plate (Duct Mount)	Manual Humidifier Control	TY	1

Humidifiers

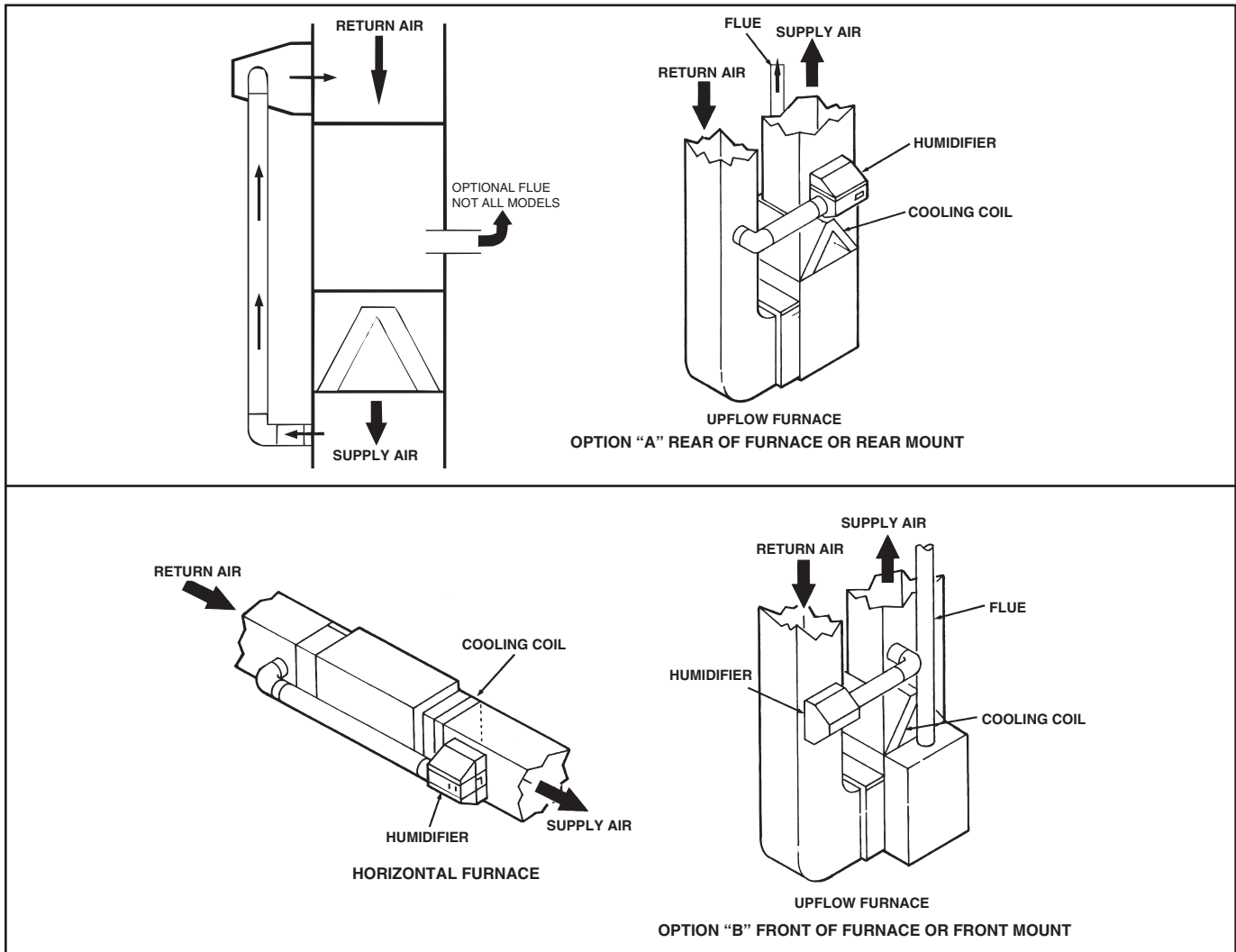
Fan Powered and Bypass



Humidifiers Fan Powered and Bypass

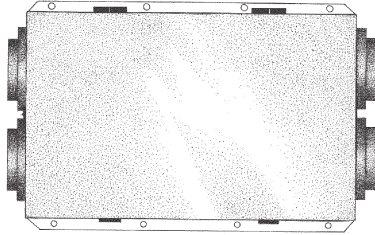


SUGGESTED BYPASS HUMIDIFIER LOCATIONS



For complete equipment / combination selections, installation instructions and warranty information, please refer to Product Data/Ratings and/or Installers Guides and Limited Warranty Handbooks.

Energy Recovery Ventilator (ERV)



- American Standard ERV technology for all seasons and climates
- Static plate energy transfer core for efficient transfer of heat and moisture
- Passive defrost - condensate drain not required
- Balancing dampers not required
- Multi position mounting
- Percent Timer (PT) control included with ERV for simple, automatic operation
- Optional Push Button (PB) control connects to PT control
- Cam action door latches for quick service access
- Heavy gauge, powder painted steel cabinet
- Permanently lubricated motor bearings (ball bearings)
- 6" and 8" double collar duct connections for AERVR100 and 200
- 8" round compatible duct connection for AERVR300
- Closed cell foam gasketing for insulation integrity
- 1" duct board insulation with cleanable foil face
- May be installed in conditioned and unconditioned spaces
- Cabinet / Door color: American Standard Polyslate Gray / Tarpaulin Gray
- **5-year limited warranty on parts**
- **10-year limited warranty on energy transfer core**
- **Optional extended warranty**

Table IAQ-9-A — Specifications: ERV

Model Number	Nominal Airflow (CFM)	Power Supply	Uncrated Dimensions (In.) H x W x D	Shipping Weight
AERVR100A9P00A ^①	130	120/1/60	20 ¹ / ₈ x 28 ³ / ₄ x 13	65
AERVR200A9P00A ^①	200	120/1/60	20 ¹ / ₈ x 28 ³ / ₄ x 23 ⁷ / ₈	85
AERVR300A9P00A ^①	300	120/1/60	20 ¹ / ₈ x 28 ³ / ₄ x 23 ⁷ / ₈	95

^① Percent Timer Control included with the ERV.

Table IAQ-9-B — Specifications: ERV

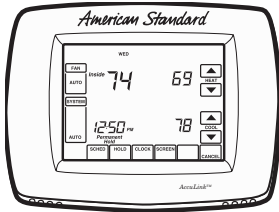
Model Number	Apparent Sensible Effectiveness(32°F)	Sensible Recovery Effectiveness(32°F)	Latent Recovery (32°F)	Total Recovery (95°F)
AERVR100A9P00A	80% @ 124 cfm	72% @ 124 cfm	55% @ 124 cfm	46% @ 126 cfm
AERVR200A9P00A	85% @ 181 cfm	78% @ 181 cfm	62% @ 181 cfm	52% @ 180 cfm
AERVR300A9P00A	78% @ 295 cfm	70% @ 295 cfm	51% @ 295 cfm	43% @ 295 cfm

Table IAQ-9-C — Optional Accessories

Model Number	Description	Used With	Shipping Weight
ACONTV10APBC0A	Point of Use Push Button Control	ERV models 100, 200, 300	1
BAYFLT10A1010A	Filters - 2 per pack	ERV models 100	1
BAYFLT20A1020A	Filters - 2 per pack	ERV models 200, 300	1
BAYWHT10AVENTA ^②	6 inch White Vinyl Ventilation Hood	ERV models 100, 200	1
BAYBRN10AVENTA ^②	6 inch Brown Vinyl Ventilation Hood	ERV models 100, 200	1
BAYGLV10AVENTA ^②	8 inch Galvanized Ventilation Hood	ERV models 300	2

^② Qty 1.

Programmable 7 Day Communicating Comfort Control



ACONT900A

ACONT900AC43UA - AccuLink™

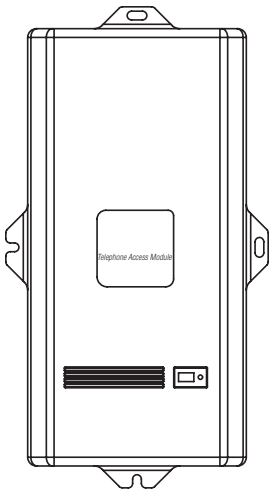
- Communicating Programmable
- Interactive Touchscreen
- Continuous Comfort-RT™
- Smart Continuous Fan
- Adjustable Continuous Fan, 25-100%
- Multiple Filter Reminders
- Humidity Sensor
- Dehumidification Control
- Window Frost Control
- Dual Fuel Compatible
- BAYCOVR600A - Wall cover plate
- Energy Saver

Application:

- 4 Heat/2 Cool (Gas, Oil or Electric)
- BAYTAM00AC00UA - Communicating Telephone Access module

Dimensions:

- 6.02" w x 4.62" h x 1.35" d
- Finish: Bright White



BAYTAM

Telephone Access Module (TAM)

BAYTAM00AC00UA

- Communicating Telephone Access Module
- For use with ACONT900AC43UA only
- Up to four AccuLink™ systems

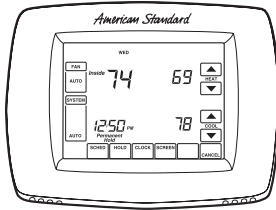
Use the Telephone Access Module to:

- Check the temperature in your home remotely using a telephone.
- Adjust your temperature settings remotely using a telephone.
- Change your system mode (heat, cool, off, auto, emergency heat) remotely using a telephone.
- Monitor the temperature in your home, and if the temperature gets too hot or too cold, receive a voice message remotely using a telephone.
- Check the outdoor temperature and indoor humidity remotely using a telephone.
- Monitor the performance of your heating and cooling system.
- Receive a message remotely when your furnace filter needs replacing or your electronic air cleaner cells need cleaning.
- Receive notice when an optional auxiliary sensor detects a situation in your home such as water leakage, freezing temperature or open doors and windows.
- Receive a dialed alert if your power is interrupted for an extended period of time.

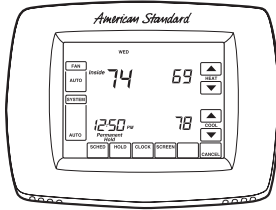
Dimensions in in. (mm):

- 10 (254)w x 5 (127)h x 2 (51)d
- Power Source: 12 Vdc (±5%), 1.0A (9 Vdc battery backup)
- Storage Range: -30°F to 158°F (-34.4°C to 70°C), 5%-95% RH non-condensing
- Operating Temperature Range: 32°F to 120°F (0°C to 48.9°C), 5%-95% RH non-condensing
- Finish: White

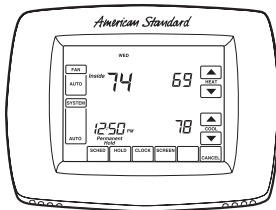
Programmable 7 Day Comfort Controls



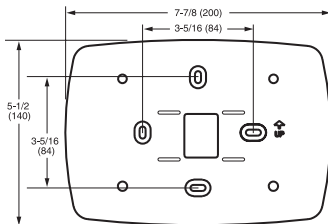
ACONT800A



ACONT802A



ACONT803A



BAYCOVR600A

ACONT800AS11AA

- Interactive Touchscreen
- Effortless Programming
- Large, Backlit Display
- Streamlined Design
- Armchair Programming
- Real Time Clock
- Visual Reminder Cues
- BAYCOVR600A - Wall cover plate
- Energy Saver

ACONT802AS32DA

- Interactive Touchscreen
- Effortless Programming
- Large, Backlit Display
- Streamlined Design
- Armchair Programming
- Real Time Clock
- Visual Reminder Cues
- BAYCOVR600A - Wall cover plate
- Energy Saver

ACONT803AS32DA

- Built-in Humidity Sensor
- Dehumidification Control
- Interactive Touchscreen
- Effortless Programming
- Large, Backlit Display
- Streamlined Design
- Armchair Programming
- Real Time Clock
- Visual Reminder Cues
- BAYCOVR600A - Wall cover plate
- Energy Saver

BAYCOVR600A

Application:

- Use with ACONT800/900A Series Comfort Controls

Application:

- 1 Heat/1 Cool (Gas, Oil or Electric)
- 1 Heat/0 Cool (Gas, Oil or Electric)
- 0 Heat/1 Cool
- ZZSENSAL0800AA - Remote Indoor Temperature Sensor

Dimensions:

- 6.02" w x 4.62" h x 1.35" d
- Finish: Bright White

Application:

- Up to 3 Heat/2 Cool (Gas, Oil or Electric)/HP
- ZZSENSAL0800AA - Remote Indoor Temperature Sensor

Dimensions:

- 6.02" w x 4.62" h x 1.35" d
- Finish: Bright White

Application:

- Up to 3 Heat/2 Cool (Gas, Oil or Electric)/HP
- ZZSENSAL0800AA - Remote Indoor Temperature Sensor

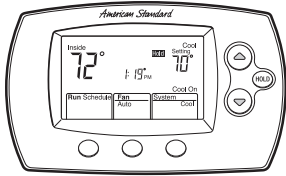
Dimensions:

- 6.02" w x 4.62" h x 1.35" d
- Finish: Bright White

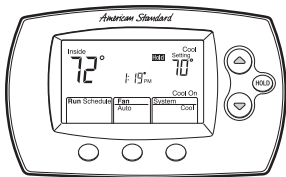
Dimensions:

- 7.87" w x 5.50" h
- Finish: Bright White

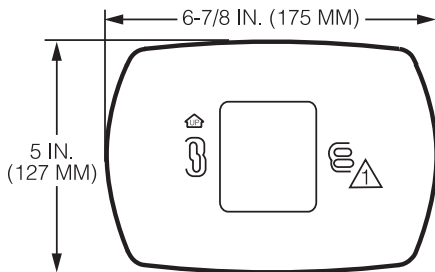
Programmable 5/2 Day Comfort Controls



ACONT600A



ACONT602A



MEDIUM COVER PLATE

BAYCOVR700A

ACONT600AF11MA

- 1 Heat/1 Cool
- 5/2 or 5/1/1 Programming
- Simple to Install and Use
- Front Wired (Wires attach to wall plates)
- Standard Wiring Terminal Block
- Easy to follow Sequential Programming
- Inside and set temperatures displayed simultaneously
- No auxiliary heat capability
- Plain language (no symbols)
- Easy battery access
- Easy to understand soft key controls
- BAYCOVR700A - Wall cover plate
- Energy Saver

Application:

- 1 stage heat pump, 0 stage Aux Heat
- 1 stage cool, 1 stage heat (Gas, electric, or oil)
- 1 stage cool, 0 stage heat
- 0 stage cool, 1 stage heat (Gas, electric, or oil)

Dimensions:

- 5.81" w x 3.56" h x 1.50" d
- Finish: Bright White

ACONT602AF22MA

- 2 Heat/2 Cool
- 5/2 or 5/1/1 Programming
- Simple to Install and Use
- Front Wired (Wires attach to wall plates)
- Standard Wiring Terminal Block
- Easy to follow Sequential Programming
- Inside and set temperatures displayed simultaneously
- Plain language (no symbols)
- Easy battery access
- Easy to understand soft key controls
- BAYCOVR700A - Wall cover plate
- Energy Saver

Application:

- 1 stage cool, 1 stage heat
- 2 stage cool, 1 stage heat
- 1 stage cool, 2 stage heat
- 2 stage cool, 2 stage heat
- 1 stage cool, 0 stage heat
- 0 stage cool, 1 stage heat (Gas, electric, or oil)
- 1 stage heat pump, 0 stage Aux Heat
- 1 stage heat pump, 1 stage Aux Heat

Dimensions:

- 5.81" w x 3.56" h x 1.50" d
- Finish: Bright White

BAYCOVR700A

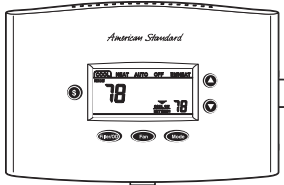
Application:

- Use with ACONT600A/602A Series Comfort Controls

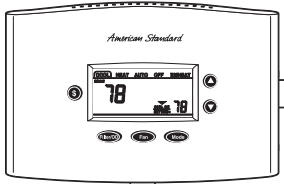
Dimensions:

- 6.87" w x 5.0" h
- Finish: Bright White

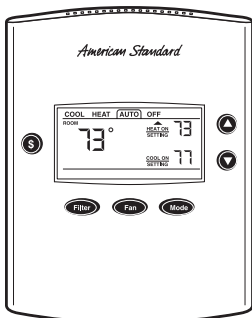
Non-Programmable Comfort Controls



ACONT402A



ACONT401A



ACONT200A

ACONT402AN32DA

- Auto Changeover
- Backlit Display & Keys
- Comfort Information Compartment
- Energy Savings Mode
- Filter Reminder
- BAYSEN01ATEMPAA-Outdoor Temperature Sensor included*
- Keypad Lock

Application (3-9 Wire Hookup -2 for Outdoor Sensor) Heat Pump* or A/C

- 3 Heat/2 Cool
- No external Dual Fuel Kit Required
- Do not use with TAYPLUS103A
- ZZSENSAL0400AA - Remote Indoor Temperature Sensor

Dimensions:

- 6.75" w x 4.52" h x 1.20" d
- Finish: Bright White
- * Requires external relay for oil furnace applications.
- * Installation is required for outdoor temperature sensing and display

ACONT401AN21MA

- Auto Changeover
- Backlit Display & Keys
- Comfort Information Compartment
- Energy Savings Mode
- Filter Reminder
- Outdoor Temperature Sensor
- Keypad Lock

Application (3-9 Wire Hookup -2 for Outdoor Sensor) Heat Pump* or A/C

- 1 Stage Heat Pump**, 1 Stage Aux Heat
- 1 Stage Heat Pump**, 0 Stage Aux Heat
- 1 Stage Cool, 2 Stage Heat (Gas, Electric or Oil*)
- 1 Stage Cool, 1 Stage Heat (Gas, Electric or Oil*)

- 1 Stage Cool, 0 Stage Heat
- 0 Stage Cool, 2 Stage Heat (Gas, Electric or Oil*)
- 0 Stage Cool, 1 Stage Heat (Gas, Electric or Oil*)

Dimensions:

- 6.75" w x 4.52" h x 1.20" d
- Finish: Bright White
- * Requires external relay for oil furnace applications.
- ** **External TAYPLUS103A required for dual fuel applications.** BAYSEN01ATEMPA required for outdoor temperature sensing and display

ACONT200AN11AA*

- Auto Changeover
- Backlit Display & Keys
- Comfort Information Compartment
- Energy Savings Mode
- Filter Reminder
- Key Pad Lock

Application (4 wire hookup - power stealing)*

- 1 Heat/1 Cool (Gas, Oil or electric)
- 1 Heat/0 Cool (Gas, Oil or electric)
- 0 Heat/1 Cool
- Finish: Bright White

Dimensions:

- 4.25" w x 5.33" h x 1.20" d

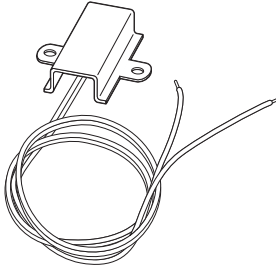
* Power Stealing 4 Wire - Resistor Terminal in Box. 4 - wire system to supply power with heating mode; both resistors must be installed for proper operation.

Remote Sensors



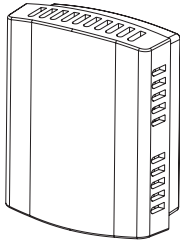
BAYSEN02ATEMPA

- Outdoor Temperature Sensor for Use with ACONT800, 802, 803
- Accuracy +/- 1°F from -40 to 120°F



BAYSEN01ATEMPA

- Outdoor Temperature Sensor for Use with ACONT401A
- Accuracy +/- 1.5°F over 32°F to 100°F
- Display Range -40°F to 140°F

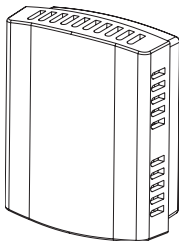


ZZSENSAL0400AA

- Indoor Sensor for Use with ACONT402A Comfort Controls
- Operating Ambient Temperature Range: 20° to 120°F (-6.7° to 48.9°C)
- Display Range: 20° to 120°F (-6.7° to 48.9°C)
- Sensor Accuracy: +/- .5°F at 75°F
- Operating Relative Humidity: 5% to 90% non-condensing

Dimensions in in. (mm):

- 1.54 (39)w x 1.93 (49)h x .625 (1.6)d
- Storage Temperature: -40° to 140°F (-40° to 60°C)
- Finish: White



ZZSENSAL0800AA

- Indoor Temperature Sensor for Use with ACONT800, 802, 803
- Operating Ambient Temperature Range: 20° to 120°F (-6.7° to 48.9°C)
- Display Range: 0 to 99°F (-18 to 37°C)
- Sensor Accuracy: +/- 1.5°F at 70°F (+/- .84 at 21°C)
- Operating Relative Humidity: 5% to 95% non-condensing

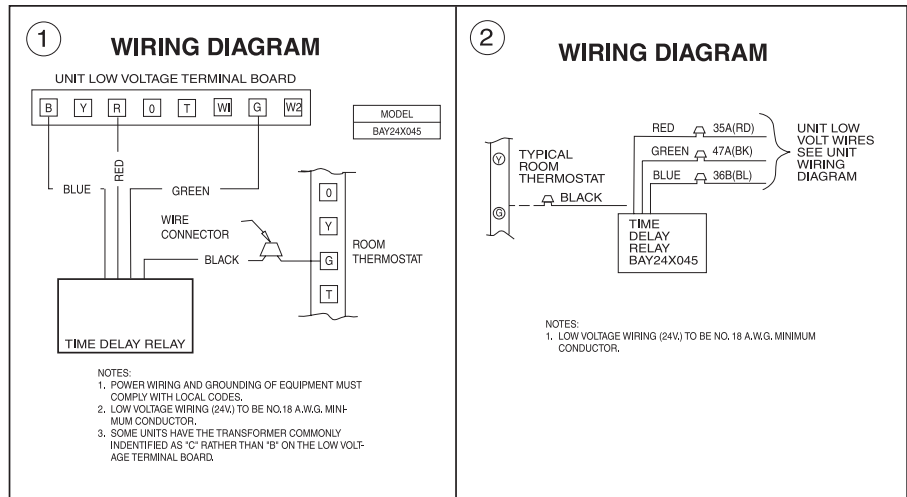
Dimensions in in. (mm):

- 1.54 (39)w x 1.93 (49)h x .625 (1.6)d
- Storage Temperature: -40° to 140°F (-40° to 60°C)
- Finish: White

Indoor Fan Delay Relay Kit

BAY24X045

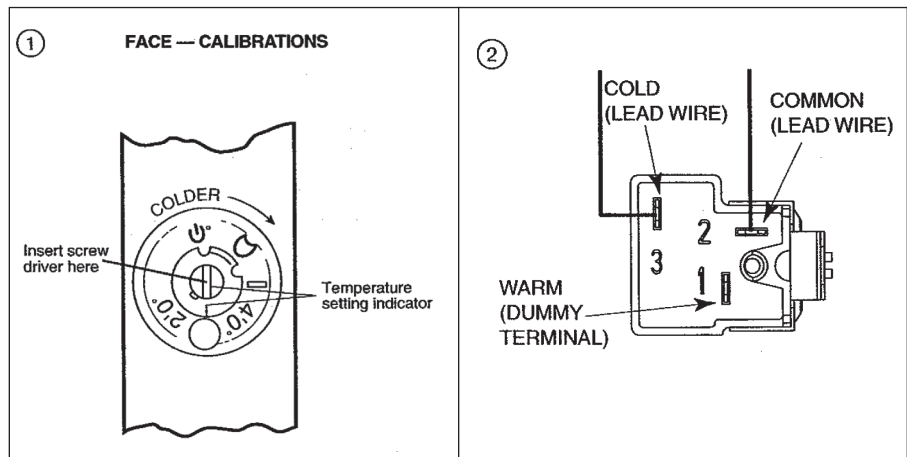
- For application to furnaces and air handlers with cooling coils equipped with capillary tube or 15% bleed expansion valve components.
- This kit allows the indoor fan to continue to run a short time after the outdoor unit shuts off for increased cooling efficiency.
- The kit contains: 1 solid state time delay relay with four (4) color coded wires, 1 wiring diagram, 1 notice label, 1 mounting screw.



Outdoor Thermostat Kit

TAYSTAT250B

- The outdoor thermostat (ODT) is designed to turn "ON" the supplementary heater at a pre-selected outdoor temperature.
- The number and setting of the ODT is dependent on the heat loss of the structure and capacity of the heating system installed.
- This model ODT gives a temperature range for 44°F. to -10°F. (See figure 1 for settings). The switching action is single pole/double throw, opening on temperature rise and closing on temperature fall, completing the circuit through the thermostat.



Non-Programmable Comfort Controls for ReliaTel™ Units



ASYSSTAT095A

ASYSSTAT095A

- One-touch temperature control.
- Large, clear, backlit display is easy to read, even in the dark.
- Displays both room temperature and temperature setting.
- Removable battery holder for fast, easy replacement.
- Built-in compressor protection.
- **Focus Pro 3 Heat/ 2 Cool**

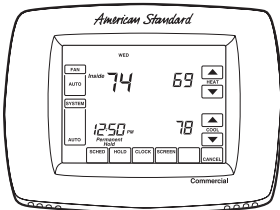
Programmable Comfort Controls for ReliaTel™ Units



ASYSSTAT090A

ASYSSTAT090A

- Large, Clear Display with Backlighting — Current temperature, set temperature and time are easy-to-read and all are displayed on the main screen.
- Menu Driven Programming — Provides guidance through the scheduling process, showing only necessary information and choices on each screen.
- Ability to Select Multiple Days — Allows easy customizing for unique schedules.
- Real-Time Clock—Keeps time during power failure; automatically updates for daylight saving time.
- Armchair Programming — Can remove thermostat from wall to set the schedule.
- Precise Temperature Control (± 1 °F) — reliable, consistent comfort.
- Multiple OVERRIDE options — Can modify schedule for a specific period of time (up to 365 days).
- Outdoor Temperature Indication — Displays current outdoor temperature to help plan outdoor activities.
- **2 Heat/2 Cool**

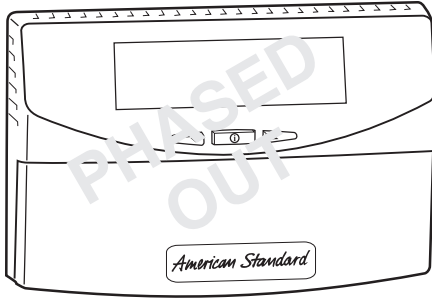


ASYSSTAT092A

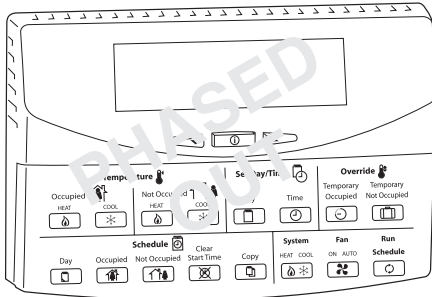
ASYSSTAT092A

- Large, Clear Display with Backlighting — Current temperature, set temperature and time are easy-to-read and all are displayed on the main screen.
- Menu Driven Programming — Provides guidance through the scheduling process, showing only necessary information and choices on each screen.
- Ability to Select Multiple Days — Allows easy customizing for unique schedules.
- Real-Time Clock — Keeps time during power failure; automatically updates for daylight savings.
- Armchair Programming — Can remove thermostat from wall to set the schedule. Precise Temperature Control (± 1 °F) — reliable, consistent comfort.
- Multiple OVERRIDE options — Can modify schedule indefinitely or for a specific period of time.
- Programmable Fan — Increases indoor air quality when combined with air cleaning equipment.
- Outdoor Temperature Indication — Displays current outdoor temperature to help plan outdoor activities.
- **2 Heat/2 Cool Commercial Vision Pro**

Programmable Comfort Controls for ReliaTel™ Units



ASYSSTAT093A – with cover closed



ASYSSTAT093A – shows display with cover open

ASYSSTAT093A

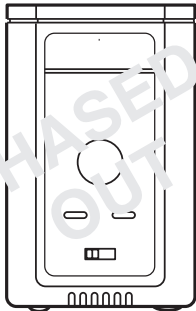
ASYSSTAT093A

- Typically used in buildings (including: restaurants, shopping malls, office buildings and banks) under 55,000 square feet.
- For single zone rooftop units, split systems, heat pumps or hot/chilled water systems.
- **3 Heat/ 2 Cool**
- 7-day programming.
- Two occupied and two NOT occupied periods per day.
- Keypad multi-level lockout available with all models.
- Individual heat and cool set-points available for occupied and NOT occupied periods.
- Convenient overrides allow temporary set-point changes.
- Intelligent Fan™ feature energizes fan continuously in the occupied periods. Fan can also be configured for conventional heat or electric heat fan operation.
- Remote sensor capability for temperature (including outdoor air and discharge air) and humidity sensors. (BAYSTAT060A)
- Return air duct sensor
- P+/-D control minimizes temperature fluctuations.

- Recovery ramping control automatically optimizes equipment start times based on building load.
- Thermostat Interface Module (TIM) connections to thermostat from PDA for advanced configuration, programming, etc.
- Universal Versaguard™ Thermostat guards available.
- Auxiliary subbase contact typically interface with a Honeywell Economizer System (for total rooftop control integration) or act as dehumidification output

Features Available via PDA Configuration

- 365 day clock with holiday programming.
- Automatic Daylight Saving Time adjustments.
- Selectable dehumidification limit control.
- Modulating output configuration.
- Occupancy input to control standby set-point
- Additional standby period used in low traffic areas.
- Sequential start option.
- Discharge air high/low limits.
- Selectable recovery ramp.
- Ambient lockout (with outdoor sensor)



ASYSSTAT800A

ASYSSTAT800A

- Wall mounted remote space sensor
- For use with ASYSSTAT090A, ASYSSTAT092A, and ASYSSTAT093A programmable thermostats

Zone Sensor Unit Installation

The zone sensor provides the operator control and zone temperature sensing functions for use with electronic unit controls. Refer to the appropriate unit installation manual for interconnecting wiring instructions.

ZONE SENSOR LOCATION

To ensure proper operation, select a location on an interior wall, at a height approximately 5 feet above the floor, with freely circulating air of average temperature.

Avoid Locations:

- Behind doors or in corners where air does not freely circulate.
- On an outside wall or any wall with unheated (uncooled) areas behind the zone sensor.
- Where direct sunlight or any Source: of radiant heat could affect the temperature measurements.
- In line with the discharge air from the unit being controlled.

Mount the zone sensor base on the wall or optional mounting plate with the wires routed through the wire access hole in the base of the zone sensor.

ZONE SENSOR CONTROLS

Emergency Heat/Heat/Auto/Off/Cool

This switch determines whether the unit operates in emergency heat (EM. HEAT - for heat pumps only), heating (HEAT), automatically changing from heating to cooling as required (AUTO), heating and cooling functions disabled (OFF), or cooling (COOL).

Fan Auto/Fan On

This switch determines whether the indoor fan operates during cooling and heating cycles only (FAN AUTO) or runs continuously (FAN ON).

Temperature Adjustments

One or two temperature adjustment controls are provided to set the desired temperature or temperature range (for unit mode AUTO). If two controls are present, the blue control sets the desired temperature for cooling and the red control sets the desired temperature for heating.

Temperature Indicator

This indicates the temperature in the zone. The indicator has been factory calibrated and should not normally require adjustment. If adjustment is needed, it can be accomplished by slowly rotating a small screwdriver in the slot on the back of the indicator until the correct temperature is obtained.

Optional Remote Sensor

When using the optional remote sensor (BAYSENS077A), it should be located in the space that is to be controlled. Wire according to the interconnecting wiring diagrams in the unit IOM.

Installation: 18-HD60D41
Source: Clarksville

Micro Control Zone Sensors



**Manual Changeover
ASYSSTAT106A**

- 4 wires required.
- Single Setpoint for 3-25 Tons Electric/Electric TCD/TCH and Gas/Electric Systems YCD/YCH
- Can be used with Remote Sensor (ASYSSTAT669)



**Manual Changeover
ASYSSTAT107A**

- 4-6 wires required.
- Single Setpoint for Heat Pump Systems (WCD/WCH 3-20 Tons)
- Can be used with Remote Sensor (ASYSSTAT669)



**Automatic Changeover
ASYSSTAT108A**

- 5 wires required.
- Dual Setpoint for Electric/Electric and Gas Electric Systems (TCD/TCH and YCD/YCH 3-25 Tons)
- Can be used with Remote Sensor (ASYSSTAT669)



**Automatic Changeover
ASYSSTAT109A**

- 5-7 wires required.
- Dual Setpoint for Heat Pump Systems (WCD/WCH 3-20 Tons)
- Can be used with Remote Sensor (ASYSSTAT669)



**LCD Digital
Display Zone Sensor
ASYSSTAT709A/707A**

- 3-7 wires required.
- Non-Programmable Zone Sensor with a digital display
- ASYSSTAT709A - Cool/Gas
- ASYSSTAT707A - Heat Pumps

Zone Sensors must be used with Micro Control units. Vendor Thermostats which use Triac outputs are not recommended with Micro Control units. Major features lost by using a Conventional Thermostat include the following:

- No diagnostics
- Proportional Integral control
- No smart recovery in the heating mode (heat pumps)
- 2-stage electric heat (heat pumps)
- Stand alone set up and set back for unoccupied features
- Intelligent fall back (unit can run on default value with outdoor air sensor)
- Control wiring size may be increased
- Remote sensing capability
- Space temperature averaging
- Supply air tempering
- Economizer preferred cooling is lost (compressor operation is locked out below 50°F)

Electronic Programmable Zone Sensors For ReliaTel™ Units



ASYSSTAT777A

- **Automatic or Manual Changeover with System Lights**
- Use With:
 - 3 – 10 Ton Precedent™ Units
 - 12.5 – 25 Ton Voyager™ Units
- Digital display indicating the time of day, the day of the week, room temperature, current program operating mode, and current active stage
- Continuous or 3 hour timed override
- Two occupied, two unoccupied programs per day
- L.C.D. readout in F or C (Celsius) and 12 or 24-hour clock
- Keyboard disable to prevent tampering
- Programming on a 7-day basis
- Status indication lights displayed in Digital Display
- Auxiliary relay (Form 1C)
- Auto Fan During Setback
- No Anticipator Required
- No Battery Required
- No accessories required. Each unit is complete and ready for installation
- Remote Room Sensor (ASYSSTAT669)
- Finish: Pantone Cool Gray #2C
- Replacement: SEN-0415
- Installation: 18-HD60D29
- Source: Clarksville

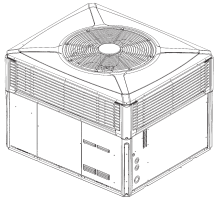
Integrated Comfort™ Systems Sensors For ReliaTel™ Units



ASYSSTAT669

- **Room Sensor**
- Used with Integrated Comfort™ Systems
- Used With:
 - 3 - 10 Ton Precedent™ Units
 - 12.5 - 25 Ton Voyager™ Units
- Finish: Pantone Cool Gray #2C
- Replacement: SEN01448
- Installation: Included with sensor
- Source: St. Paul GCC/Clarksville

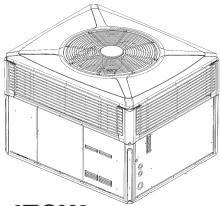
Packaged Cooling Convertible 1½-5 Tons



4TCY4

Table PC-1-A — 4TCY4 - Allegiance® 14 - Convertible Packaged Cooling - R-410A

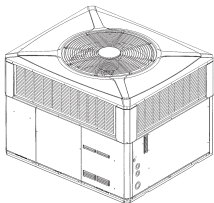
Model Number	Cooling Capacity (Btuh)	SEER/EER	Shipping Weight	MCA	Max Fuse	Sound Rating	Cabinet Dimensions (in.) H x D x W
4TCY4 – 208-230/1/60							
4TCY4024A1000A	23,400	14.00/12.00	444	16.5	25	68	36 x 43 x 51
4TCY4030A1000A	30,000	14.00/12.00	444	19.1	30	71	36 x 43 x 51
4TCY4036B1000A	38,000	14.20/12.00	450	24.6	40	69	36 x 43 x 51
4TCY4042B1000A	42,000	14.25/12.00	607	31.6	50	74	38 x 46 x 61
4TCY4048B1000A	48,000	14.20/12.00	607	35.4	50	72	38 x 46 x 61
4TCY4060A1000A	60,000	14.00/12.00	612	42.3	60	76	42 x 46 x 61
4TCY4 – 208-230/3/60							
4TCY4036A3000A	36,000	14.20/11.60	450	19.8	30	69	36 x 43 x 51
4TCY4048A3000A	48,500	14.20/11.90	607	26.4	40	72	38 x 46 x 61
4TCY4060A3000A	60,000	14.00/12.00	612	30.6	45	76	42 x 46 x 61



4TCX3

Table PC-1-B — 4TCX3 - Allegiance® 13 - Convertible Packaged Cooling - R-410A

Model Number	Cooling Capacity (Btuh)	SEER/EER	Shipping Weight	MCA	Max Fuse	Sound Rating	Cabinet Dimensions (in.) H x D x W
4TCX3 – 208-230/1/60							
4TCX3018A1000A	18,000	13.00/11.00	444	10.1	15	69	36 x 43 x 51
4TCX3024A1000A	24,000	13.00/11.20	444	13.6	20	70	36 x 43 x 51
4TCX3030A1000A	29,600	13.00/11.00	445	21.7	35	72	36 x 43 x 51
4TCX3036A1000A	36,000	13.00/11.00	450	23.2	35	72	36 x 43 x 51
4TCX3042A1000A	42,000	13.00/11.00	523	27.9	45	72	38 x 46 x 61
4TCX3048A1000A	46,500	13.00/11.00	607	31.1	50	72	38 x 46 x 61
4TCX3060A1000A	60,000	13.00/11.00	610	43.5	60	72	40 x 46 x 61
4TCX3 – 208-230/3/60							
4TCX3036A3000A	36,000	13.00/11.00	450	18.2	30	72	36 x 43 x 51
4TCX3048A3000A	46,500	13.00/11.00	607	23.6	35	72	38 x 46 x 61
4TCX3060A3000A	60,000	13.00/11.00	610	31.7	50	72	40 x 46 x 61
4TCX3 – 460/3/60							
4TCX3036A4000A	36,000	13.00/11.00	450	8.7	15	72	36 x 43 x 51
4TCX3048A4000A	46,500	13.00/11.00	607	11.7	15	72	38 x 46 x 61
4TCX3060A4000A	60,000	13.00/11.00	610	19.5	25	72	40 x 46 x 61



4TCC3

Table PC-1-C — 4TCC3 - American Standard 13 - Convertible Packaged Cooling - R-410A

Model Number	Cooling Capacity (Btuh)	SEER/EER	Shipping Weight	MCA	Max Fuse	Sound Rating	Cabinet Dimensions (in.) H x D x W
4TCC3 – 208-230/1/60							
4TCC3018A1000A	18,000	13.00/11.00	444	10.1	15	74	36 x 42 x 49
4TCC3024A1000A	23,000	13.00/11.00	444	13.6	20	76	36 x 42 x 49
4TCC3030A1000A	28,000	13.00/10.40	445	21.7	35	75	36 x 42 x 49
4TCC3036A1000A	35,000	13.00/11.00	450	23.2	35	76	36 x 42 x 49
4TCC3042A1000A	40,000	13.00/11.00	523	27.9	45	78	38 x 45 x 59
4TCC3048A1000A	46,500	13.00/11.00	607	31.1	50	80	38 x 45 x 59
4TCC3060A1000A	58,000	13.00/11.00	610	43.5	60	79	40 x 45 x 59
4TCC3 – 208-230/3/60							
4TCC3036A3000A	35,000	13.00/11.00	450	18.2	30	76	36 x 42 x 49
4TCC3048A3000A	46,500	13.00/11.00	607	23.6	35	80	38 x 45 x 59
4TCC3060A3000A	58,000	13.00/11.00	610	31.7	50	79	40 x 45 x 59
4TCC3 – 460/3/60							
4TCC3036A4000A	35,000	13.00/11.00	450	8.7	15	76	36 x 42 x 49
4TCC3048A4000A	46,500	13.00/11.00	607	11.7	15	80	38 x 45 x 59
4TCC3060A4000A	58,000	13.00/11.00	610	19.5	25	79	40 x 45 x 59

For dimensional/outline drawings, please refer to Product Data.

For information on Roof Curbs, please refer to the Accessories/Information Tab.

Packaged Cooling Convertible 1½-5 Tons

Table PC-2-A — Features

	4TCY4 2-5	4TCX3 1½-5	4TCC3 1½-5
• SEER up to	14.25	13.20	13.00
• Exclusive Duration™ high efficiency compressor with internal overload protection.....	✓	✓	✓
• Factory supplied charge.....	R-410A	R-410A	R-410A
• Composite Vortica® indoor blower.....	✓	✓	✓
• High efficiency ECM indoor blower motor with Comfort-R™ airflow system.....	✓	—	—
• Direct drive multi-speed indoor blower motors.....	—	✓	✓
• All aluminum Spine Fin™ outdoor coil.....	✓	✓	✓
• Swept-blade outdoor fan for quiet operation.....	✓	✓	—
• Architecturally integrated louvers and corner guards.....	✓	✓	—
• All steel louvers.....	—	—	✓
• Cabinet constructed of heavy gauge, galvanized steel and painted with a weather-resistant powder paint.....	✓	✓	✓
• Single stage cool.....	✓	✓	✓
• Start kit - factory installed (single phase only).....	3	1½ & 2	1½ & 2
• High pressure cutout.....	✓	✓	✓
• Low pressure cutout.....	3-Phase Only	3-Phase Only	3-Phase Only
• Liquid line drier - factory installed.....	✓	✓	✓
• Non-bleed expansion valves on indoor coil.....	✓	✓	✓
• Pressure taps, including liquid line taps, easily accessed and protected inside compressor compartment.....	✓	✓	✓
• Right side electrical service access for high and low voltage connections.....	✓	✓	✓
• Rugged steel basepan features deep drawn duct connections.....	✓	✓	✓
• Steeply sloped composite drainpan.....	✓	✓	✓
• Ships in horizontal configuration and converts quickly for downflow.....	✓	✓	✓
• Copper tube, aluminum fin indoor coil.....	✓	✓	✓
• All models are certified to UL 1995.....	✓	✓	✓
• 10-year compressor, 10-year outdoor coil, and 5-year all other functional parts registered limited warranty (Residential Use)Ⓢ	✓	✓	—
• 10-year compressor, 5-year outdoor coil and all other functional parts registered limited warranty (Residential Use)Ⓢ	—	—	✓
• Extended warranties available	✓	✓	✓

Ⓢ Registered Limited Warranty terms are available when you register within 60 days of installation. You can register online at americanstandardair.com or by phone at 800-554-8005; otherwise American Standard Heating & Air Conditioning's Base Limited Warranty terms will apply. Base Limited Warranty information on specific products can be found on ASDealerNet.com.

For dimensional/outline drawings, please refer to Product Data.

For information on Roof Curbs, please refer to the Accessories/Information Tab.

Packaged Cooling Convertible 1½-5 Tons

Table PC-3-A — Accessories

Model Number	Description	Shipping Weight	4TCY4 2-5	4TCX3 1½-5	4TCC3 1½-5
BAYACCDOR1A	Hinged Filter Access Door ^①		2-3	1½-3	1½-3
BAYACCDOR2A	Hinged Filter Access Door ^①		3½-5	3½-5	3½-5
BAYADAP050A	Adapter Curb (Cabinet A/B)		2-3	1½-3	1½-3
BAYADAP051A	Adapter Curb (Cabinet C)		2-3	1½-3	1½-3
BAYADAP052A	Adapter Curb (Cabinet A/B)		3½-5	3½-5	3½-5
BAYADAP053A	Adapter Curb (Cabinet C)		3½-5	3½-5	3½-5
BAYADAP054A	Adapter Curb (Cabinet D)		3½-5	3½-5	3½-5
BAYASCT001	Anti-Short Cycle Timer ^③		✓	✓	✓
BAYCCHT101A	Crankcase Heater (230V) (Reciprocating)		2	1½-2	1½-2
BAYCCHT102A	Crankcase Heater (230V) (Scroll)		2½-5	2½-5	2½-5
BAYCCHT404B	Crankcase Heater (460V) (Scroll)		3,4,5	3,4,5	3,4,5
BAYCOVR112A	12" Duct Shroud (Covers Horizontal Ducts) ^⑤		2-5	1½-5	1½-5
BAYCOVR118A	18" Duct Shroud (Covers Horizontal Ducts) ^⑤		2-5	1½-5	1½-5
BAYCURB050A	Flat Roof Full Perimeter Curb (Insulated)	74	2-3	1½-3	1½-3
BAYCURB051A	Flat Roof Full Perimeter Curb (Insulated)	74	3½-5	3½-5	3½-5
BAYDMPR101A	2-Position Motorized Fresh Air Damper ^{①⑥⑦⑧⑨}		2-3	1½-3	1½-3
BAYDMPR102A	2-Position Motorized Fresh Air Damper ^{①⑥⑦⑧⑨}		3½-5	3½-5	3½-5
BAYECON101A	Economizer with Barometric Relief (Downflow) ^{①②③⑨⑩}	50	2-3	1½-3	1½-3
BAYECON102A	Economizer with Barometric Relief (Downflow) ^{①②③⑨⑩}	65	3½-5	3½-5	3½-5
BAYECON200A	Economizer (Horizontal) ^{①②③⑥}	85	2-3	1½-3	1½-3
BAYECON201A	Economizer (Horizontal) ^{①②③⑥}	85	3½-5	3½-5	3½-5
BAYECON204A	Economizer (Horizontal) ^{①②③⑥}	85	2-5	1½-5	1½-5
BAYECONCOMB101B	BAYECON101A, door, and filter kit		2-3	1½-3	1½-3
BAYECONCOMB102B	BAYECON102A, door, and filter kit		3½-5	3½-5	3½-5
BAYENTH001A	Enthalpy Control Kit ^②	2	✓	✓	✓
BAYEXMK001A	Extreme Conditions Mounting Kit (Used on BAYCURB & BAYADAP)		✓	✓	✓
BAYEXMK002B	Extreme Conditions Mounting Kit (Used on BAYUTIL)		✓	✓	✓
BAYEXMK003A	Extreme Conditions Mounting Kit (Used on Slab Mounts)		✓	✓	✓
BAYFLTR101C	1-2" Filter Frame (requires one 20x25 filter which is not included) ^①	6	2-3	1½-3	1½-3
BAYFLTR201C	1-2" Filter Frame (requires one 20x20 and one 20x18 filter which are not included) ^①	6	3½-5	3½-5	3½-5
BAYLIFT002B	Lifting Lug Kit	5	✓	✓	✓
BAYLOAM011A	Evaporator Defrost Control Kit		✓	✓	✓
BAYLOAM105A	Low Ambient Control Kit	5	✓	✓	✓
BAYOSAH001A	Manual Fresh Air Damper ^①	6	2-3	1½-3	1½-3
BAYOSAH002A	Manual Fresh Air Damper ^①	8	3½-5	3½-5	3½-5
BAYQSTK300A	Start Kit		1 Phase Only	1 Phase Only	1 Phase Only
BAYSQRD001A	16" Round Duct Adapter ^⑥	5	2-3	1½-3	1½-3
BAYSQRD002A	18" Round Duct Adapter ^⑥	3	2-5	1½-5	1½-5
BAYUTIL101B	Roof Curb Utility Extension Kit		2-3	1½-3	1½-3
BAYUTIL102B	Roof Curb Utility Extension Kit		3½-5	3½-5	3½-5
BAYUV101A	21" Retrofit UVC Lamp Kit	5	1½-3	1½-3	1½-3
BAYUV102A	33" Retrofit UVC Lamp Kit	5	3½-5	3½-5	3½-5

- ① Must use filter frame when economizer/fresh air kit is used.
- ② Dry bulb control standard with economizer.
- ③ 2-Stage cooling control required when using economizer.
- ④ Do not use with electronic thermostats.
- ⑤ BAYCOVR112,118A will not cover BAYSQRD002A applications.
- ⑥ Does not contain barometric relief.
- ⑦ Max fresh air - 25%.
- ⑧ For non-continuous fan gas-heating applications, the damper opens only when the OD ambient is above 50° F.
- ⑨ It is the designer/engineer's responsibility to review product specifications prior to equipment selection to insure optimal performance and compliance to codes.
- ⑩ Temperature of mixed air entering the heat exchanger is monitored and fresh air intake may be reduced under certain conditions.
- ⑪ BAYACCDOR1A requires BAYFLTR101B & BAYACCDOR2A requires BAYFLTR201B. They are not backward compatible to BAYFLTR101/201A.

EXISTING CURB	NEW UNIT 4TC/WC/YC****A	USE BAYADAP0**A
BAYCURB030,38A	018-036	50
BAYCURB030,38A	042-060	52
BAYCURB033A	018-036	51
BAYCURB033A	018-060	53
BAYCURB034A	042-060	54

For dimensional/outline drawings, please refer to Product Data.

For information on Roof Curbs, please refer to the Accessories/Information Tab.

Packaged Cooling Convertible 1½-5 Tons

Table PC-4-A — Supplementary Heaters – Separate power source /power entry required

Model Number	Description	Used With	Shipping Weight
BAYHTRV105E	3.76/5.0 kW Heater (208/240V 1PH)	4TC*3018-060A1,4024-060^1	9
BAYHTRV108E	6.0/8.0 kW Heater (208/240V 1PH)	4TC*3018-060A1,4024-060^1	10
BAYHTRV110E	7.50/10.0 kW Heater (208/240V 1PH)	4TC*3024-060A1,4024-060^1	10
BAYHTRV115E	11.27/15.00 kW Heater (208/240V 1PH)	4TC*3030-060A1,4036-060^1	14
BAYHTRV120E	15.00/20.0 kW Heater (208/240V 1PH)	4TC*3048-060A1,4048-060^1	14
BAYHTRV125E	18.78/25.0 kW Heater (208/240V 1PH)	4TC*3060A1,4048-060^1	21
BAYHTRV305E	3.76/5.0 kW Heater (208/240V 3PH)	4TC*3018-060A3,4036-060A3	9
BAYHTRV308E	6.0/8.0 kW Heater (208/240V 3PH)	4TC*3018-060A3,4036-060A3	10
BAYHTRV310E	7.50/10.0 kW Heater (208/240V 3PH)	4TC*3024-060A3,4036-060A3	10
BAYHTRV315E	11.27/15.00 kW Heater (208/240V 3PH)	4TC*3030-060A3,4036-060A3	14
BAYHTRV320E	15.0/20.0 kW Heater (208/240V 3PH)	4TC*3048-060A3,4048-060A3	14
BAYHTRV325E	18.78/25.0 kW Heater (208/240V 3PH)	4TC*3060A3,4048-060A3	20
BAYHTRV405E	5.0 kW Heater (480V 3PH)	4TC*3018-060A4	9
BAYHTRV408E	8.0 kW Heater (480V 3PH)	4TC*3018-060A4	10
BAYHTRV410E	10.0 kW Heater (480V 3PH)	4TC*3024-060A4	10
BAYHTRV415E	15.00 kW Heater (480V 3PH)	4TC*3030-060A4	14
BAYHTRV420E	20.0 kW Heater (480V 3PH)	4TC*3048-060A4	14
BAYHTRV425E	25.0 kW Heater (480V 3PH)	4TC*3060A4	16

Table PC-4-B — Single Power Entry Kit/Heater Matrix:

Single Power Entry Kit [Ⓞ]	Heater Model	Unit Model	Shipping Weight
BAYSPEK060E	BAYHTRV105E	4TC*3018-048A1,4TCY4024-048^1	3
	BAYHTRV108E	4TC*3018-048A1,4TCY4024-060^1	
	BAYHTRV110E	4TC*3024-036A1,4TCY4024-036^1	
BAYSPEK061E	BAYHTRV305E	4TC*3036-060A3,4TCY4036-060A3	7
	BAYHTRV308E	4TC*3036-060A3,4TCY4036-060A3	
	BAYHTRV310E	4TC*3036-048A3,4TCY4036-048A3	
	BAYHTRV315E	4TC*3036-060A3,4TCY4036-048A3	
	BAYHTRV405E	4TC*3036-060A4	
	BAYHTRV408E	4TC*3036-060A4	
	BAYHTRV410E	4TC*3036-060A4	
	BAYHTRV415E	4TC*3036-060A4	
	BAYHTRV420E	4TC*3048-060A4	
BAYSPEK062E	BAYHTRV105E	4TC*3060^1	7
	BAYHTRV108E	4TC*3060^1	
	BAYHTRV110E	4TC*3060^1,4TCY4036-060^1	
BAYSPEK063E	BAYHTRV115E	4TC*3030-060A1,4TCY4036-060^1	7
	BAYHTRV120E	4TC*3048-060A1,4TCY4048-060^1	
BAYSPEK064E	BAYHTRV320E	4TC*3048-060A3,4TCY4048-060A3	6

Ⓞ All necessary fuses are included in kit; however, not all kits require fuses. Please refer to BAYSPEK Installers Guide.
Note: Replace "*" with "C" or "X" as appropriate.

**For dimensional/outline drawings, please refer to Product Data.
For information on Roof Curbs, please refer to the Accessories/Information Tab.**

Packaged Cooling Convertible 3-10 Tons



Featuring A New Look for a New Century

Beveled Top
Smoother Design
Small compact cabinet
Recessed access handles

Standard Features:

- American Standard Heating & Air Conditioning built scroll compressors on all 3-10 ton units except 3 ton standard efficiency model (Reciprocating Compressor)
- Colored and numbered wiring
- Phase Monitor, R-410A 3 Phase Units
- Provisions for through the Base Condensate Drain Connections
- Patented Hybrid Condenser Coil for easy cleaning
- 2" throwaway filters provided on all ton units
- Liquid Line Refrigerant Drier
- Operating Charge of R-410A
- IAQ Sloped Drain Pans
- Single point power for Electric Heat
- Low Ambient to 40°F on Electromechanical models
- Low Ambient to 0°F on ReliaTel™ models
- 5 - year Limited Compressor Warranty
- 1 - year Limited Parts Warranty

Added Flexibility

- Electromechanical or ReliaTel™ controls (**See page PC-15 for ReliaTel™ Control Information**)
- Standard or high efficiency cooling models available
- Convertible airflow (ships in downflow application)
- Fork lift openings on three sides of unit
- Direct or belt drive - standard or oversized motors (Direct for 3-5 ton only)
- We don't prepackage options
- Choose options tailored to suit each job —pay only for what is needed
- Units ship with options installed —and within our standard ship cycle time

Factory Installed Options

- Through-the-Base — Electrical
- Convenience Outlet — Powered or unpowered
- Unit Disconnect Switch
- Smoke Detectors — Supply, return, or both
- Condenser Coil Coating
- Hinged Access Service Panels
- Discharge Air Sensor
- Fan Fail and Clogged Filter Switches
- Condenser Coil Guard — Hail Protection Quality
- TXV thermal expansion valve and split face evaporator coil
- Dehumidification Hot Gas Reheat Coil
- Froststat
- Novar Controls
- Comm 3/4 Communications Interface
- 2" Pleated Media filters
- 2" MERV 7 filters or 2" MERV 13 filters

***The same American Standard Heating & Air Conditioning
Quality and Reliability ... with added Flexibility!***

Packaged Cooling Convertible 3-5 Tons, R-410A

Table PC-6-A — Base Unit — 15 SEER High Efficiency — R-410A — Electromechanical or ReliaTel™

Tons	Unit Ordering No.	Performance ^③ SEER/EER	Cooling Capacity (Btuh)	Cabinet Dimensions (in.) H x W x L	Downflow Supply	Downflow Return	Shipping Weight (lbs.)	MCA**	Max ^① Fuse**
THC – 208-230/3/60 – Single Phase – No Heat									
3	THC036E1*0A0000	15.0	35,620	36 x 44 x 69	18 x 15.5	24 x 14	555	26.7	40
4	THC048E1*0A0000	15.0	48,000	41 x 53 x 88	33 x 17.5	32.2 x 17.5	798	35.7	50
5	THC060E1*0A0000	15.0	59,900	41 x 53 x 88	33 x 17.5	32.2 x 17.5	823	43.8	70
THC – 208/3/60 – Three Phase – No Heat									
3	THC036E3*0A0000	15.0	35,620	36 x 44 x 69	18 x 15.5	24 x 14	555	21.9	30
4	THC048E3*0A0000	15.0	49,000	41 x 53 x 88	33 x 17.5	32.2 x 17.5	637	28.3	40
5	THC060E3*0A0000	15.0	59,900	41 x 53 x 88	33 x 17.5	32.2 x 17.5	869	32.1	45
THC – 460/3/60 – Three Phase – No Heat									
3	THC036E4*0A0000	15.0	35,620	36 x 44 x 69	18 x 15.5	24 x 14	555	10.0	15
4	THC048E4*0A0000	15.0	49,000	41 x 53 x 88	33 x 17.5	32.2 x 17.5	637	13.6	20
5	THC060E4*0A0000	15.0	59,900	41 x 53 x 88	33 x 17.5	32.2 x 17.5	869	16.8	25

Table PC-6-B — Base Unit — Standard Efficiency — R-410A — Electromechanical or ReliaTel™

Tons	Unit Ordering No.	Performance SEER/EER	Cooling Capacity (Btuh)	Cabinet Dimensions (in.) H x W x L	Downflow Supply	Downflow Return	Shipping Weight (lbs.)	MCA**	Max Fuse**
TSC – 208-230/1/60 – Single Phase – No Heat									
3	TSC036E1*0A0000	13.0	38,000	36 x 43 x 69	18 x 15.5	24 x 14	555	27.2	40
4	TSC048E1*0A0000	13.0	49,000	36 x 43 x 69	18 x 15.5	24 x 14	586	35.2	50
5	TSC060E1*0A0000	13.0	58,000	36 x 43 x 69	18 x 15.5	24 x 14	636	43.8	70
TSC – 208-230/3/60 – Three Phase – No Heat									
3	TSC036E3*0A0000	13.0	38,000	36 x 43 x 69	18 x 15.5	24 x 14	555	21.4	30
4	TSC048E3*0A0000	13.0	49,000	36 x 43 x 69	18 x 15.5	24 x 14	586	25.2	35
5	TSC060E3*0A0000	13.0	60,000	36 x 43 x 69	18 x 15.5	24 x 14	636	29.5	45
TSC – 460/3/60 – Three Phase – No Heat									
3	TSC036E4*0A0000	13.0	38,000	36 x 43 x 69	18 x 15.5	24 x 14	555	10.1	15
4	TSC048E4*0A0000	13.0	49,000	36 x 43 x 69	18 x 15.5	24 x 14	586	12.5	15
5	TSC060E4*0A0000	13.0	60,000	36 x 43 x 69	18 x 15.5	24 x 14	636	15.5	25
TSC – 575/3/60 – Three Phase – No Heat									
3	TSC036EW*0A0000	13.0	37,400	36 x 43 x 69	18 x 15.5	24 x 14	555	8.0	15
4	TSC048EW*0A0000	13.0	49,200	36 x 43 x 69	18 x 15.5	24 x 14	586	9.0	15
5	TSC060EW*0A0000	13.0	63,100	36 x 43 x 69	18 x 15.5	24 x 14	636	10.1	15

① HACR breaker per NEC.

② Downflow Airflow/Horizontal Airflow.

③ SEER applies, 3-5 tons; EER applies 6-10 tons.

* Digit 9 - E = Electromechanical or R = ReliaTel™.

** Information subject to change. Please confirm with current Product Data/Service Facts for current factory production.

Packaged Cooling Convertible 6 - 10 Tons, R-410A

Table PC-7-A — Base Unit — High Efficiency — R-410A — Electromechanical or ReliaTel™

Tons	Unit Ordering No.	Performance EER	Cooling Capacity (Btuh)	Cabinet Dimensions (in.) H x W x L	Downflow Supply	Downflow Return	Shipping Weight (lbs.)	MCA**	Max ^① Fuse**
THC – 208-230/3/60 – Three Phase High Efficiency									
6	THC072E3*0A0000	12.6	72,000	47 x 53 x 89	33 x 17.5	32.13 x 17.5	997	33.9	50
7½	THC092E3*0A0000	13.0	92,000	51 x 63 x 100	32.25 x 19.25	32.25 x 16.75	1528	42.7	50
8½	THC102E3*0A0000	13.0	103,000	51 x 63 x 100	32.25 x 19.25	32.25 x 16.75	1553	44.7	60
10	THC120E3*0A0000	12.5	119,000	51 x 63 x 100	32.25 x 19.25	32.25 x 16.75	1563	50.3	60
THC – 460/3/60 – Three Phase									
6	THC072E4*0A0000	12.6	72,000	47 x 53 x 89	33 x 17.5	32.13 x 17.5	997	16.3	25
7½	THC092E4*0A0000	13.0	92,000	51 x 63 x 100	32.25 x 19.25	32.25 x 16.75	1528	19.8	25
8½	THC102E4*0A0000	13.0	103,000	51 x 63 x 100	32.25 x 19.25	32.25 x 16.75	1553	22.9	30
10	THC120E4*0A0000	12.5	119,000	51 x 63 x 100	32.25 x 19.25	32.25 x 16.75	1563	24.9	30

Table PC-7-B — Base Unit — Standard Efficiency — R-410A — Electromechanical or ReliaTel™

Tons	Unit Ordering No.	Performance ^③ SEER/EER	Cooling Capacity (Btuh)	Cabinet Dimensions (in.) H x W x L	Downflow Supply	Downflow Return	Shipping Weight (lbs.)	MCA**	Max ^① Fuse**
TSC – 208-230/3/60 – Three Phase – No Heat									
6	TSC072E3*0A0000	11.2	71,200	42 x 53 x 88	33 x 17.5	32.13 x 17.5	898	36.5	50
7½	TSC090E3*0A0000	11.1	89,000	42 x 53 x 88	33 x 17.5	32.13 x 17.5	815	38.2	60
7½	TSC092E3*0A0000	11.2	89,300	46 x 53 x 88	33 x 17.5	32.13 x 17.5	1009	43.3	50
8½	TSC102E3*0A0000	11.2	96,600	46 x 53 x 88	33 x 17.5	32.13 x 17.5	1048	46.3	60
10	TSC120E3*0B0000	11.3	110,300	46 x 53 x 88	33 x 17.5	32.13 x 17.5	1123	55.9	60
TSC – 460/3/60 – Three Phase – No Heat									
6	TSC072E4*0A0000	11.2	71,200	42 x 53 x 88	33 x 17.5	32.13 x 17.5	898	18.2	25
7½	TSC090E4*0A0000	11.1	89,000	42 x 53 x 88	33 x 17.5	32.13 x 17.5	815	19.5	30
7½	TSC092E4*0A0000	11.2	89,300	46 x 53 x 88	33 x 17.5	32.13 x 17.5	1009	21.5	25
8½	TSC102E4*0A0000	11.2	96,600	46 x 53 x 88	33 x 17.5	32.13 x 17.5	1048	21.9	25
10	TSC120E4*0B0000	11.3	110,300	46 x 53 x 88	33 x 17.5	32.13 x 17.5	1123	26.5	35
TSC – 575/3/60 – Three Phase – No Heat									
6	TSC072EW*0A0000	11.2	71,200	42 x 53 x 88	33 x 17.5	32.13 x 17.5	898	12.7	20
7½	TSC090EW*0A0000	11.1	89,000	42 x 53 x 88	33 x 17.5	32.13 x 17.5	815	14.7	20
7½	TSC092EW*0A0000	11.2	89,300	46 x 53 x 88	33 x 17.5	32.13 x 17.5	1009	15.9	20
8½	TSC102EW*0A0000	11.2	96,600	46 x 53 x 88	33 x 17.5	32.13 x 17.5	1048	17.5	20
10	TSC120EW*0B0000	11.3	110,300	46 x 53 x 88	33 x 17.5	32.13 x 17.5	1123	21.2	25

① HACR breaker per NEC.

② Downflow Airflow/Horizontal Airflow.

③ SEER applies, 3-5 tons; EER applies 6-10 tons.

* Digit 9 - E = Electromechanical or R = ReliaTel™.

** Information subject to change. Please confirm with current Product Data/Service Facts for current factory production.

Packaged Cooling Convertible 3-10 Tons (Model Digit Numbers)

Digit	Description	Order Number	Digit	Description	Order Number
1-8	Main Assembly (see previous page)		19	Disconnect/Circuit Breaker /Phase Monitor (3 phase only)	
9	Unit Controls			No Disconnect/ Circuit Breaker	0
	Electro-Mechanical	E		Unit Mounted Non-Fused Disconnect ⁽⁹⁾	1
	ReliaTel™ Micro-processor	R		Unit Mounted Circuit Breaker ⁽⁹⁾	2
10	(See Heater Table below)			Phase Monitor ⁽⁵⁾	3
11	Minor Design Sequence			Phase Monitor ⁽⁵⁾ & Non-Fused Disconnect Switch	4
	First Sequence	A		Phase Monitor ⁽⁵⁾ & Circuit Breaker	5
12-13	Service Sequence		20	Convenience Outlet	
	First Sequence (Factory Supplied)	*,*		No Convenience Outlet	0
14	Fresh Air Selection			Unpowered Convenience Outlet	A
	No Fresh Air	0		Powered Convenience Outlet (3 phase only) ⁽³⁾	B
	0-50% Manual Outside Air Damper ⁽²⁾	A	21	Communications Options⁽⁵⁾	
	0-50% Motorized Outside Air Damper	B		No Communications Interface	0
	0-100% Economizer, Dry Bulb without Barometric Relief ⁽²⁾	C		Comm 3/4 Communications Interface	1
	0-100% Economizer, Dry Bulb with Barometric Relief ⁽²⁾	D		Novar 2024 Controls	3
	0-100% Economizer, Reference Enthalpy without Barometric Relief ⁽¹⁾⁽²⁾	E		Novar 3051 Controls	4
	0-100% Economizer, Reference Enthalpy with Barometric Relief ⁽¹⁾⁽²⁾	F	22	Refrigeration System Option	
	0-100% Economizer, Comparative Enthalpy without Barometric Relief ⁽¹⁾⁽²⁾	G		Standard Refrigeration System	0
	0-100% Economizer, Comparative Enthalpy with Barometric Relief ⁽¹⁾⁽²⁾	H		Dehumidification (Hot Gas Reheat Coil)	B
15	Supply Fan/Drive Type/Motor		23	Refrigeration Controls	
	Standard Drive	0		No Refrigeration Control	0
	Oversized Motor	1		Froststat ⁽⁵⁾	2
	Optional Belt Drive Motor (3 phase only)	2		Crankcase Heater	3
16	Hinged Service Access & Filters			Froststat ⁽⁵⁾ and Crankcase Heater ⁽⁶⁾	6
	Standard Panels & Filters	0	24	Smoke Detector⁽⁷⁾⁽⁵⁾	
	Hinged Access Panels & Standard Filters	A		No Smoke Detector	0
	Standard Panels & 2" Pleated Filters MERV 7	B		Return Air Smoke Detector ⁽⁸⁾⁽⁹⁾	A
	Hinged Access Panels & 2" Pleated Filters MERV 7	C		Supply Air Smoke Detector	B
	Standard Panels/2" MERV 13 Filters	D		Supply and Return Air Smoke Detectors ⁽⁸⁾⁽⁹⁾	C
	High Access Panels/2" MERV 13 Filters	E	25	Monitoring Controls⁽⁵⁾	
17	Condenser Coil Protection			No Monitoring Control ⁽¹⁰⁾	0
	Standard Coil	0		Clogged Filter Switch ⁽¹⁰⁾	1
	Standard Coil with Hail Guard	1		Fan Failure Switch ⁽¹⁰⁾	2
	Black Epoxy Pre-Coated Condenser Coil	2		Discharge Air Sensing Tube ⁽¹⁰⁾	3
	Black Epoxy Pre-Coated Condenser Coil with Hail Guard	3		Clogged Filter Switch and Fan Fail Switch ⁽¹⁰⁾	4
	Complete Coat™ Condenser Coil	4		Clogged Filter Switch and Discharge Air Sensing Tube ⁽¹⁰⁾	5
	Complete Coat™ Condenser Coil with Hail Guard	5		Fan Fail Switch and Discharge Air Sensing Tube ⁽¹⁰⁾	6
18	Through the Base Provisions			Clogged Filter and Fan Fail Switches and Discharge Air Sensing Tube ⁽¹⁰⁾	7
	No Through the Base Provisions	0		Novar Return Air Sensor ⁽¹¹⁾	8
	Through the Base Electric ⁽⁴⁾	A		Novar 3051 Zone Sensor ⁽¹²⁾	9

① Enthalpy control not available factory installed with electro-mechanical controls.
 ② Economizer with Barometric Relief is for downflow configured units only. Order Economizer without Barometric Relief for horizontal configuration. Barometric relief for horizontal configured units must be ordered as field installed accessory BAYBARM010A.
 ③ Requires use of Disconnect or Circuit Breaker.
 ④ Standard refrigeration metering device - short orifice.
 ⑤ Froststat cannot be field installed in electro-mechanical units.
 ⑥ High Pressure control is standard on 3 phase units with scroll compressors and in TSC036A.
 ⑦ Not available with BAYFRST001A High Temperature Stat accessory.
 ⑧ The return air smoke detector may not fit up or work properly on the Convertible units when used in conjunction with 3rd party accessories such as bolt on heat wheels, economizers and power exhaust. Do not order the return air smoke detectors when using this type of accessory.

⑨ Return Air Smoke Detector cannot be ordered with Novar Controls.
 ⑩ These options are standard when ordering Novar Controls.
 ⑪ This option for use when ordering Novar Control only.
 ⑫ The manual outside air damper will ship factory supplied within the unit, but must be field installed.
 ⑬ Requires Selection of 2" Pleated Filters (Option B or C) for Digit 16.
 ⑭ Through the base electric required when ordering disconnect/circuit breaker options.
 ⑮ Not available with electro-mechanical unit controls.
 ⑯ Novar Sensor utilized with digit 21 = (4) Novar 3051 Controls without Zone Sensor.

Heaters (Digit 10)

kW Rating	Digit	Nominal BTUH	No. Stages	Used With	kW Rating	Digit	Nominal BTUH	No. Stages	Used With
208/240/1/60					460/3/60				
3.7/5.0	(A)	12,800/17,100	1	T*C036-060E1	6.0	(B)	20,500	1	T*C036-060E4
7.5/10.0	(D)	25,600/34,100	2	T*C036-060E1	12.0	(E)	41,000	2	T*C036-060E4
10.3/13.8	(F)	35,300/47,100	2	T*C036-060E1	17.6	(G)	59,400	2	T*C036-060E4
13.2/17.6	(G)	45,100/60,100	2	T*C048-060E1	23.0	(J)	78,500	2	T*C060E4
208/240/3/60					575/3/60				
4.5/6.0	(B)	13,400/20,500	1	T*C036-060E3	9.0	(C)	30,700	1	T*C072-102,E4
9.0/12.0	(E)	30,800/59,400	2	T*C036-060E3	18.0	(G)	61,400	1	T*C072-120A4,E4
13.2/17.6	(G)	44,600/59,400	2	T*C036-060E3	27.0	(K)	92,100	2	T*C072-120A4,E4
17.2/23.0	(J)	58,900/78,500	2	T*C060E3	36.0	(N)	122,900	2	T*C072-120A4,E4
6.75/9.0	(C)	23,000/30,700	1	T*C072-102A3,E3	54.0	(P)	184,300	2	T*C120A4,E4
13.5/18.0	(G)	46,100/61,400	1	T*C072-120A3,E3	575/3/60				
20.3/27.0	(K)	69,000/92,100	2	T*C072-120A3,E3	6.0	(B)	20,500	1	T*C036-060EW
27.0/36.0	(N)	92,200/122,900	2	T*C072-120A3,E3	12.0	(E)	41,000	2	T*C036-060EW
40.5/54.0	(P)	138,200/184,300	2	T*C120A3,E3	17.6	(G)	59,400	2	T*C036-060EW
					23.0	(J)	78,500	2	T*C060EW
					9.0	(C)	30,700	1	T*C072-102AW,EW
					18.0	(G)	61,400	1	T*C072-120AW,EW
					27.0	(K)	92,100	2	T*C072-120AW,EW
					36.0	(N)	122,900	2	T*C072-120AW,EW
					54.0	(P)	184,300	2	T*C120AW,EW

Packaged Cooling Convertible 3-10 Tons, R-410A Electric Heaters

Table PC-9-A — Accessory Electric Heaters – Unit with heater is single circuit / single point power entry

Model Number	Power Supply	kW Rating	Nominal BTUH	No. Stages	Used With
BAYHTRE105A	208-230/1/60	3.8/5.0	12,900/13,400	1	T*C036E1,TSC048-060E1
BAYHTRE110A	208-230/1/60	7.5/10.0	25,600/34,000	2	T*C036E1,TSC048-060E1
BAYHTRE114A	208-230/1/60	10.4/13.8	35,000/47,100	2	T*C036E1,TSC048-060E1
BAYHTRE118A	208-230/1/60	13.2/17.6	45,100/60,100	2	TSC048-060E1
BAYHTRE306B	208-230/3/60	4.5/6.0	13,400/20,500	1	T*C036E3,TSC048-060E3
BAYHTRE312B	208-230/3/60	9.0/12.0	30,800/41,000	2	T*C036E3,TSC048-060E3
BAYHTRE318B	208-230/3/60	13.0/17.4	44,600/59,400	2	T*C036E3,TSC048-060E3
BAYHTRE323B	208-230/3/60	17.3/23.0	44,600/59,400	2	TSC060E3
BAYHTRE406B	460/3/60	6.0	20,500	1	T*C036E4,TSC048-060E4
BAYHTRE412B	460/3/60	12.0	41,000	2	T*C036E4,TSC048-060E4
BAYHTRE418B	460/3/60	17.4	59,400	2	T*C036E4,TSC048-060E4
BAYHTRE423B	460/3/60	17.3/23.0	59,400	2	TSC060E4
BAYHTREW06B	575/3/60	6.0	20,500	1	T*C036EW,TSC048-060EW
BAYHTREW12B	575/3/60	12.0	41,000	2	T*C036EW,TSC048-060EW
BAYHTREW18B	575/3/60	17.4	59,400	2	T*C036EW,TSC048-060EW
BAYHTREW23B	575/3/60	17.3/23.0	59,400	2	TSC060EW
BAYHTRX105A	208-230/1/60	3.8/5.0	12,900/13,400	1	THC048-060E1
BAYHTRX110A	208-230/1/60	7.5/10.0	25,600/34,000	2	THC048-060E1
BAYHTRX114A	208-230/1/60	10.4/13.8	35,000/47,100	2	THC048-060E1
BAYHTRX118A	208-230/1/60	13.2/17.6	45,100/60,100	2	THC048-060E1
BAYHTRX306B	208-230/1/60	4.5/6.0	13,400/20,500	1	THC048-060E3
BAYHTRX312B	208-230/3/60	9.0/12.0	30,800/41,000	2	THC048-060E3
BAYHTRX318B	208-230/3/60	13.0/17.4	44,600/59,400	2	THC048-060E3
BAYHTRX323B	208-230/3/60	17.3/23.0	59,000/78,500	2	THC060E3
BAYHTRX406B	460/3/60	6.0	20,500	1	THC048-060E4
BAYHTRX412B	460/3/60	12.0	41,000	2	THC048-060E4
BAYHTRX418B	460/3/60	18.0	59,400	2	THC048-060E4
BAYHTRX423B	460/3/60	23.0	78,500	2	THC060E4

Packaged Cooling Convertible 6-10 Tons, R-410A Electric Heaters

Table PC-10-A — Accessory Electric Heaters – Unit with heater is single circuit / single point power entry

Model Number	Power Supply	kW Rating	Nominal BTUH	No. Stages	Used With
BAYHTRS309B	208-230/3/60	6.75/9.0	23,000/30,700	1	TSC072E3
BAYHTRS318B	208-230/3/60	13.5/18.0	46,100/61,400	2	TSC072E3
BAYHTRS327B	208-230/3/60	20.3/27.0	69,000/92,100	2	TSC072E3
BAYHTRS336B	208-230/3/60	27.0/36.0	92,200/122,900	2	TSC072E3
BAYHTRW309A	208-230/3/60	6.75/9.0	23,000/30,700	1	TSC090E3
BAYHTRW318A	208-230/3/60	13.5/18.0	46,100/61,400	1	TSC090E3
BAYHTRW327A	208-230/3/60	20.3/27.0	69,000/92,100	2	TSC090E3
BAYHTRW336A	208-230/3/60	27.0/36.0	92,200/122,900	2	TSC090E3
BAYHTRT309B	208-230/3/60	6.75/9.0	23,000/30,700	1	TSC092E3,TSC102E3
BAYHTRT318B	208-230/3/60	13.5/18.0	46,100/61,400	2	TSC092E3, TSC102E3, TSC120E3**A
BAYHTRT327B	208-230/3/60	20.3/27.0	69,000/92,100	2	TSC102E3, TSC120E3**A, TSC092E3
BAYHTRT336B	208-230/3/60	27.0/36.0	92,200/122,900	2	TSC092E3, TSC102E3, TSC120E3**A
BAYHTRT354B	208-230/3/60	40.5/54.0	138,200/184,300	2	TSC120E3**A
BAYHTRA318A	208-230/3/60	13.5/18	46,100/61,400	1	TSC120E3**B
BAYHTRA327A	208-230/3/60	20.3/27	69,000/92,100	2	TSC120E3**B
BAYHTRA336A	208-230/3/60	27/36	92,200/122,900	2	TSC120E3**B
BAYHTRA354A	208-230/3/60	40.5/54	138,200/184,300	2	TSC120E3**B
BAYHTRS409B	460/3/60	9.0	30,700	1	TSC072E4
BAYHTRS418B	460/3/60	18.0	61,400	2	TSC072E4
BAYHTRS427B	460/3/60	27.0	92,100	2	TSC072E4
BAYHTRS436B	460/3/60	36.0	122,900	2	TSC072E4
BAYHTRW409A	460/3/60	9	30,700	1	TSC090E4
BAYHTRW418A	460/3/60	18	61,400	1	TSC090E4
BAYHTRW427A	460/3/60	27	92,100	2	TSC090E4
BAYHTRW436A	460/3/60	36	122,900	2	TSC090E4
BAYHTRT409B	460/3/60	9.0	30,700	1	TSC092E4,TSC102E4
BAYHTRT418B	460/3/60	18.0	61,400	2	TSC092E4, TSC102E4, TSC120E4**A
BAYHTRT427B	460/3/60	27.0	92,100	2	TSC092E4, TSC102E4, TSC120E4**A
BAYHTRT436B	460/3/60	36.0	122,900	2	TSC092E4, TSC102E4, TSC120E4**A
BAYHTRT454B	460/3/60	54.0	184,300	2	TSC120E4**A
BAYHTRA418A	460/3/60	18	61,400	1	TSC120E4**B
BAYHTRA427A	460/3/60	27	92,100	2	TSC120E4**B
BAYHTRA436A	460/3/60	36	122,900	2	TSC120E4**B
BAYHTRA454A	460/3/60	54	184,300	2	TSC120E4**B

Packaged Cooling Convertible 6-10 Tons, R-410A Electric Heaters

Table PC-11-A — Accessory Electric Heaters – Unit with heater is single circuit / single point power entry

Model Number	Power Supply	kW Rating	Nominal BTUH	No. Stages	Used With
BAYHTRSW09B	575/3/60	9.0	30,700	1	TSC072EW
BAYHTRSW18B	575/3/60	18.0	61,400	2	TSC072EW
BAYHTRSW27B	575/3/60	27.0	92,100	2	TSC072EW
BAYHTRSW36B	575/3/60	36.0	122,900	2	TSC072EW
BAYHTRWW18A	575/3/60	18	61,400	1	TSC090EW
BAYHTRWW27A	575/3/60	27	92,100	2	TSC090EW
BAYHTRWW36A	575/3/60	36	122,900	2	TSC090EW
BAYHTRTW18B	575/3/60	18.0	61,400	2	TSC092EW, TSC102EW, TSC120EW**A
BAYHTRTW27B	575/3/60	27.0	92,100	2	TSC092EW, TSC102EW
BAYHTRTW36B	575/3/60	36.0	122,900	2	TSC092EW, TSC102EW, TSC120EW**A
BAYHTRTW54B	575/3/60	54.0	184,300	2	TSC120EW**A
BAYHTRAW18A	575/3/60	18	61,400	1	TSC120EW**B
BAYHTRAW36A	575/3/60	36	122,900	2	TSC120EW**B
BAYHTRAW54A	575/3/60	54	184,300	2	TSC120EW**B
BAYHTRU309A	208-230/3/60	6.8/9.0	23,000/30,700	1	THC072E3
BAYHTRU318A	208-230/3/60	13.5/18.0	46,100/61,400	1	THC072E3
BAYHTRU327A	208-230/3/60	20.3/27.0	69,000/92,100	2	THC072E3
BAYHTRU336A	208-230/3/60	27.0/36.0	92,100/122,900	2	THC072E3

Packaged Cooling Convertible 6-10 Tons, High Efficiency R-410A Electric Heaters

Table PC-11-B — Accessory Electric Heaters – Unit with heater is single circuit / single point power entry

Model Number	Power Supply	kW Rating	Nominal BTUH	No. Stages	Used With
BAYHTRD309A	208-230/3/60	6.8/9.0	23,000/30,700	1	THC092E3, THC102E3
BAYHTRD318A	208-230/3/60	13.5/18.0	46,100/61,400	1	THC092E3, THC102E3, THC120E3
BAYHTRD327A	208-230/3/60	20.3/27.0	69,000/92,100	2	THC092E3, THC102E3, THC120E3
BAYHTRD336A	208-230/3/60	27.0/36.0	92,100/122,900	2	THC092E3, THC102E3, THC120E3
BAYHTRD354A	208-230/3/60	40.6/54.0	138,000/184,300	2	THC120E3
BAYHTRU409A	460/3/60	9.0	30,700	1	THC072E4
BAYHTRU418A	460/3/60	18.0	61,400	1	THC072E4
BAYHTRU427A	460/3/60	27.0	92,100	2	THC072E4
BAYHTRU436A	460/3/60	36.0	122,900	2	THC072E4
BAYHTRD409A	460/3/60	9.0	30,700	1	THC092E4, THC102E4
BAYHTRD418A	460/3/60	18.0	61,400	1	THC092E4, THC102E4, THC120E4
BAYHTRD427A	460/3/60	27.0	92,100	2	THC092E4, THC102E4, THC120E4
BAYHTRD436A	460/3/60	36.0	122,900	2	THC092E4, THC102E4, THC120E4
BAYHTRD454A	460/3/60	54.0	184,300	2	THC120E4

Packaged Cooling Convertible 3-10 Tons Accessories

Table PC-12-A — Accessories

Model Number	Description	Used With
BAYABRD001C.....	ReliaTel™ Options Module	All T*036-120E, R (ReliaTel™) See Note⑤
BAYASCT001⑥⑦*	Anti-Short-Cycle Timer	All T*036-120E, R (Electro Mechanical)
BAYBARM010A④	Barometric Relief	THC036-060E, THC036E
BAYBARM011A④	Barometric Relief	TSC072-120E, THC048E-120E
BAYBCIR001A.....	Bacnet™ Communication Interface	ReliaTel™ Controller (BCI-R)
BAYCCHT010B	Crankcase Heater	TSC036-048E1, 3
BAYCCHT011B	Crankcase Heater	TSC036-048E4, W
BAYCCHT017A	Crankcase Heater	TSC060E1, 3
BAYCCHT018A	Crankcase Heater	TSC060E4, EW
ASYSTAT712B③④	CO ₂ Sensor Kit, Wall Mounted	All T*036-120E, R (ReliaTel™)
ASYSTAT714B③④	CO ₂ Sensor Kit, Duct Mounted	All T*036-120E, R (ReliaTel™)
BAYCURB042A②	Roof Curb	THC036E, TSC036E-060E
BAYCURB043A②	Roof Curb	THC048E-072E, TSC072-120E
BAYCURB044A	Roof Curb	THC092E-120E
BAYDFPS003B③⑤	Clogged Filter Switch.....	All T*036-120E, R (ReliaTel™)
BAYDFPS004A③⑤	Fan Failure Switch	All T*036-120E, R (ReliaTel™)
BAYDFPS014A	Clogged Filter Switch (w/MERV 13 Filter).....	All T*036-120E, R (ReliaTel™)
BAYDMPR053B③	0-50% Manual Outside Air Damper	THC036E, TSC036E-060E
BAYDMPR056B③	0-50% Manual Outside Air Damper	THC048E-120E, TSC072-120E
BAYDMPR051A③	0-50% Motorized Outside Air Damper	THC036E_R, TSC036-060E_R (ReliaTel™)
BAYDMPR052A③	0-50% Motorized Outside Air Damper	THC036E_E, TSC036E-060E_E (Electro Mechanical)
BAYDMPR054A③	0-50% Motorized Outside Air Damper	THC048-120E_R, TSC072-120E_R (ReliaTel™)
BAYDMPR055A③	0-50% Motorized Outside Air Damper	THC048-120E_E, TSC072-120E_E (Electro Mechanical)
BAYECON085A③	0-100% Dry Bulb Economizer without Barometric Relief	THC036E_R, TSC036E-060E_R (ReliaTel™)
BAYECON086A③	0-100% Dry Bulb Economizer without Barometric Relief	THC036E_E, TSC036E-060E_E (Electro Mechanical)
BAYECON087A③	0-100% Dry Bulb Economizer without Barometric Relief	THC048-120E_R, TSC072E-120E_R (ReliaTel™)
BAYECON088A③	0-100% Dry Bulb Economizer without Barometric Relief	THC048-120E_E, TSC072E-120E_E (Electro Mechanical)
BAYENTH005A①③	Reference Enthalpy Kit	BAYECON085A, 087A
BAYENTH006B①③	Comparative Enthalpy Kit	BAYECON085A, 087A
BAYENTH001A.....	Enthalpy Control (Solid State)	BAYECON086A, 088A
BAYFRST003A③⑥	High Temperature Stat.....	All T*036-120E

① Kits contain all necessary parts to achieve desired level of enthalpy control.

② Lynn Haven Manufacturing has a No-Return policy for this roof curb.

③ For use with ReliaTel™ controlled units only.

④ Barometric Relief accessory installs in ductwork for horizontal configuration. For downflow configuration, installs in the unit's horizontal return duct. See Installer's Guide for complete instructions.

⑤ BAYABRD001C is required when ordering field installed accessories Clogged Filter Switch (BAYDFPS003A), Fan Fail Switch (BAYDFPS004A), Discharge Air Sensing Kit (BAYTUBE004A) or Evaporator Defrost Control (Frostat) (BAYLOAM020B) Ventilation Override Kit (BAYVNOR001B) unless the following options are factory installed: Frostat, Smoke Detector, Clogged Filter Switch, Fan Failure Switch, Discharge Air Sensing Kit. These factory installed options include the ReliaTel™ Options Module.

⑥ For use with electromechanical controlled units only.

⑦ Activated on Power On.

⑧ Field installed accessory requires economizer.

⑨ The manual outside air damper will ship factory supplied within the unit, but must be field installed.

Packaged Cooling Convertible 3-10 Tons Accessories

Table PC-13-A — Accessories

Model Number	Description	Used With
BAYGARD037B	Condenser Coil Hail Guard	TSC036-060E, THC036E
BAYGARD040A	Condenser Coil Hail Guard	THC048-060E, TSC072E-090E
BAYGARD041A	Condenser Coil Hail Guard	TSC092-120E, THC072E
BAYGARD070A	Condenser Coil Hail Guard	THC092E-120E
BAYHSDR012A	High Static Drive Kit	THC072E
BAYHSMT082A	2 HP Oversized Motor Kit (208-230/460V)	TSC072E3, 4
BAYHSMT083A	2 HP Oversized Motor Kit (575V)	TSC072EW
BAYHSMT086A	3 HP Oversized Motor Kit (208-230/460V)	TSC090E-102E3, 4
BAYHSMT087A	3 HP Oversized Motor Kit (575V)	TSC090E-102EW
BAYHSMT402A	2 HP Oversized Motor Kit	THC072E3, 4
BAYKSKT255B	Start Kit	TSC036E1-060E1
BAYLMSW001A ^⑨	Power Exhaust Limit Switch	All T*036-120E, R
BAYLOAM020B ^{①③④}	Evaporator Defrost Control (Frostat)	All T*036-120E, R (ReliaTel™)
BAYLSDR006B	Low Static Drive Kit: 3-5T High Efficiency	THC036E-060E
BAYLSDR009A	Low Static Drive Kit	TSC092-120E, THC072E
BAYPWRX070A	Power Exhaust, 3-5T (230V)	TSC036-060E3, THC048-060E3
BAYPWRX071A	Power Exhaust, 3-5T (460V)	TSC036-060E4, THC048-060E4
BAYPWRX072A	Power Exhaust, 3-5T (575V)	TSC036-060EW
BAYPWRX026A ^⑥	Power Exhaust (208-230/3)	TSC072-120E3
BAYPWRX027A ^⑥	Power Exhaust (460/3)	TSC072-120E4
BAYPWRX028A ^⑥	Power Exhaust (575/3)	TSC072-120EW
BAYQACB009A ^{②⑤}	Quick Adapt Roof Curb	THC036E, TSC036-060E
BAYQACB010A ^{②⑤}	Quick Adapt Roof Curb	THC036E, TSC036-060E
BAYQACB011A ^{②⑦}	Quick Adapt Roof Curb	TSC072-120E, THC048-072E
BAYQACB012A ^{②⑦}	Quick Adapt Roof Curb	TSC072-120E, THC048-072E
BAYQACB013A ^{②⑦}	Quick Adapt Roof Curb	TSC072-120E, THC048-072E
BAYRTEM001A ^⑩	Fully Featured ReliaTel™ Economizer Logic Model	All T*036-120E, R
BAYSTAT023 ^③	Remote Potentiometer	All T*036-120E, R
BAYSERV001A ^③	Selective Resistance Service Tester	All T*036-120E, R
BAYSENS016A ^③	Temperature Sensor	All T*036-120E, R
BAYTUBE005A	Discharge Air Sensing Kit	TSC036-060E_R, THC036E_R
BAYTUBE007A	Discharge Air Sensing Kit	TSC072-120E_R, THC048-072E_R
BAYTUBE401A	Discharge Air Sensing Kit	TSC120E_R
BAYTUBE403A	Discharge Air Sensing Kit	TSC092-120E_R
BAYVNOR001B ^{③④⑧}	Ventilation Override Kit w/ReliaTel™ options module	All T*036-120E, R

① For ReliaTel™ microprocessor controlled units only. Must be factory installed for electromechanical controlled units.

② Lynn Haven Manufacturing has a No-Return policy for this roof curb.

③ For use with ReliaTel™ controlled units only.

④ BAYABRD001C is required when ordering field installed accessories Clogged Filter Switch (BAYDFPS003A), Fan Fail Switch (BAYDFPS004A), Discharge Air Sensing Kit (BAYTUBE004A) or Evaporator Defrost Control (Frostat) (BAYLOAM020B) Ventilation Override Kit (BAYVNOR001B) unless the following options are factory installed: Frostat, Smoke Detector, Clogged Filter Switch, Fan Failure Switch, Discharge Air Sensing Kit. These factory installed options include the ReliaTel™ Options Module.

⑤ BAYQACB009A adapts YCD units BAYCURB021B to accept T°C 3-5 ton unit. BAYQACB010A adapts YCD units BAYCURB022B to accept T°C unit.

⑥ Cannot be used in conjunction with Barometric Relief. Order Economizer without Barometric Relief.

⑦ BAYQACB012A adapts YCD units BAYCURB025A to accept T°C 6-10 ton unit. BAYQACB013A adapts YCD units BAYCURB026A to accept T°C 6-10 ton unit.

⑧ Field installed accessory requires economizer.

⑨ When ordering a field installed power exhaust on a unit with electromechanical controls, BAYLMSW001A must be ordered.

⑩ If any version of comparative or reference enthalpy is ordered, BAYRTEM001A does not need to be ordered.

* Either Standard or High Efficiency.

Packaged Cooling Convertible 3-10 Tons, R-410A Zone Sensors / Thermostats

Table PC-14-A — Zone Sensors for ReliaTel™ Controlled Units

Model Number	Description	Used With
ASYSTAT106A	Single Setpoint Manual Changeover	T*C036-120 (A or E)_R
ASYSTAT107A	Single Setpoint	T*C036-120E, R
ASYSTAT108A	Dual Setpoint Manual or Auto Changeover	T*C036-120 (A or E)_R
ASYSTAT109A	Dual Setpoint Changeover Sensor	T*C036-120E, R
ASYSTAT111A	Remote Room Sensor	
ASYSTAT777A	Programmable Night Setback w/System Function Lights (Vertical Style)	T*C036-120 (A or E)_R
ASYSTAT708A	Programmable Night Setback w/System Function Lights	T*C036-120 (A or E)_R
ASYSTAT710A	Wall Mounted Humidity Sensor	T*C036,120A,3,4,W-R,T*C036-120E_R
ASYSTAT711A	Duct Mounted Humidity Sensor	T*C036-120A-B,T*C036-120E_R
BAYMTPL103A	Retrofit Wall Cover Plate Kit 7.25" x 6.0"	ASYSTAT111A

*Either standard or high efficiency models.

Table PC-14-B — Thermostats — Electromechanical

Model Number	Description	Used With
BAY24X042	DPDT Fan and Electric Heat Relay	ASYSTAT092A,BAYSTAT051,052
BAY28X190 [Ⓢ]	Locking Thermostat Cover for up to 4 units	Room Thermostats
ASYSTAT712B	CO2 Sensor Kit (Wall Mounted)	T*C036-120 (A or E)_R
ASYSTAT714B	CO2 Sensor Kit (Duct Mounted)	T*C036-120 (A or E)_R
ACONT200AN11AA	Electronic, 1Htg/1Clg (Non Prog.)	T*C033-090A,T*C036-120E_R

[Ⓢ] Do not use with programmable thermostats.

Alternating Lead/Lag – Dual Compressor Models Only —

During periods of part load operation, each compressor cycles alternately as circuit number one, equalizing compressor wear and run time. Enabled by cutting the wire (BLUE) at (RTRM) junction number J3-8. **Standard**

Anti Short Cycle Timer (ASCT) Function — Provides a three (3) minute minimum “ON” time and a three (3) minute minimum “OFF” time for compressors, enhances compressor reliability by ensuring proper oil return. **Standard**

Built In Evaporator Defrost Control (EDC) Function — Provides low ambient cooling down to 0°F. **Standard**

Built In Fan Delay Relay (FDR) Function — Provides custom indoor fan timing sequences for the different types of equipment, enhancing efficiency and reliability. **Standard**

Built In Night Set Back and Unoccupied Functions① — When using a standard dual setpoint/auto change over Zone Sensor Module (ZSM), this function is enabled by applying a short across terminal J6-11 and J6-12. Sets cooling setpoint up a minimum of 7°F, sets heating setpoint back a minimum of 7°F, forces outside air damper (if present) minimum position to zero, and forces fan operation to automatic. **Accessory (requires time clock accessory or field supplied/installed switch or contacts).**

Built In “TEST” Mode — Aids in quick verification of system and control operation, exercises both hardware and software (no special tools required). **Standard**

Built In Unoccupied Mode① — When using a standard single setpoint/manual change over Zone Sensor Module (ZSM), this function is enabled by applying a short across terminal J6-11 and J6-12. Forces outside air damper (if present) minimum position to zero, forces fan operation to automatic. **Accessory (requires time clock accessory or field supplied/installed switch or contacts).**

Direct Digital Control (DDC)① — Proportional Integral (PI) control. Proportional – sets corrective action proportional to deviation from setpoint. Integral – fine tunes the rate of corrective action proportional to the error (results in superior space temperature control). **Standard**

Economizer Preferred Cooling① — Provides fully integrated operation if required. Will not turn on a compressor with the economizer, if the space is recovering adequately with the economizer alone (0.2°F/minute). Allows the equipment to be utilized in more varied applications. **Standard with economizer accessory.**

Emergency Stop Terminals On Low Voltage Terminal Board (LTB-5 and LTB-6) — Provides a convenient point to disable the equipment completely, and immediately. Still provides communication to BAS. **Standard**

Heat Pump Smart Recovery and Smart Staging① — Inhibits auxiliary heat operation if the space is recovering adequately (0.1°F/minute) with the heat pump alone, providing considerable savings in operating costs. **Standard**

Heat Pump Soft Start — Provides a smooth transition into heating after defrost, minimizing noise and compressor stress associated with switch over. **Standard**

Increased Reliability — Fewer components (moving electro-mechanical parts), less likelihood of equipment down time or failure. **Standard**

Integral Electric Heat Staging① — Stages electric heaters “OFF” and “ON”, eliminating the use of outdated sequencers. **Standard**

Intelligent Fallback① — A built in Default Control provides adaptive operation, which allows the equipment to continue to operate, providing comfort in the event of certain component failures. Also, allows emergency operation without a Zone Sensor Module (ZSM). **Standard**

Low Ambient Start Timer (LAST) Function — Bypasses low pressure control when a compressor starts, eliminating nuisance compressor lock outs. **Standard**

Lower Installation Cost — Using a standard Zone Sensor Module (ZSM), control voltage wiring may be run up to five (5) times further than any electromechanical system, with no increase in wire gauge. Example: Electromechanical System – 30 feet maximum using 22 gauge wire. Micro Control System – 150 feet using 22 gauge wire. **Standard**

On Board Diagnostics① — Assist with equipment troubleshooting, if a problem occurrence should take place. **Standard**

Remote Sensing① — All standard Zone Sensor Modules (ZSMs) have remote sensing capabilities, typically achieved by using an expensive program-mable thermostat and remote sensor with electromechanical equipment. **Accessory (requires use of remote sensor).**

Selectable Economizer Dry Bulb Change Over — Allows the capability of selecting the following dry bulb change over points: 63, 67, 70 or 73°F. **Standard with economizer accessory.**

Space Temperature Averaging① — All standard Zone Sensor Modules (ZSMs) have space temperature averaging capabilities, typically achieved by using an expensive programmable thermostat and minimum of four (4) remote sensors with electromechanical equipment. **Averaging with ReliaTel™ can be achieved with two (2) sensors.**

Supply Air Tempering① — A built in feature, once enabled only through an ICS device, may also be enabled using a digital or programmable Zone Sensor Module. When in the HEAT mode (and not actively heating), if supply air temperature drops 10°F below the heating setpoint, heat is turned on until supply air temperature rises to a point 10°F above the heating setpoint. Provides temperate air during the “OFF” cycle, and eliminates cold air dumping from supply ducts. Extremely effective when introducing any quantity of fresh air. **Standard when using a RTOM, ICS device, digital, or programmable Zone Sensor Module.**

Time Delay Relay (TDR) Function — Provides an incremental staging delay between compressors, minimizes equipment current inrush and consumption by keeping compressors from starting simultaneously. **Standard**

Low Pressure and High Pressure Compressor Lockout — 3 trips will lockout control.

① Denotes features lost from utilizing standard conventional stat.

ReliaTel™ Controls

Operation With An Electromechanical Thermostat

When the ReliaTel™ RTRM Thermostat Interface is used, equipment operation differs significantly. The basic equipment protection features remain intact, and the following features and benefits are **LOST**:

- **Direct Digital Control (DDC)** – Proportional Integral (PI) control is lost, equipment is controlled by a thermostat or generic building automation system device.
- **Intelligent Fall back** is lost, if a failure occurs in the device controlling the equipment, operation will cease.
- Installation is more costly, with the addition of a thermostat or generic control, the control wiring size must be increased.
- **Heat Pump Smart Recovery and Smart Staging** is lost, Heat Pump operation becomes more costly unless generic control being applied can accomplish this.
- **Remote Sensing** capabilities are lost, unless generic control being applied can accomplish this.
- **Low ambient disabled economizer and second condensing fan cycling capability.**
- **Space Temperature Averaging** capabilities are lost, unless generic control being applied can accomplish this.
- **Supply Air Tempering** feature is lost, discharge air temperature may be cold when not actively heating if outdoor air is being introduced through the equipment.
- **Built In Night Set Back and Unoccupied** functions are lost, unless generic control being applied can accomplish this.
- **Built In Unoccupied Mode** is lost, unless generic control being applied can accomplish this.
- **Economizer Preferred Cooling Feature** is lost, all compressor operation is locked out below 50°F.

Packaged Cooling with ReliaTel™ Controls 12½-25 Tons, R-410A

12½-25 Ton TCD-E – Downflow

12½-25 Ton TCH-E – Horizontal

- ReliaTel™ control features are listed on page PC-15
- Built-in anti-short cycle, time-delay relay and minimum on time controls
- 2" throwaway filters
- Liquid line drier
- Built-in fork lift holes

- Operating charge of R-410A
- Quick-Access on 12½ – 25
- Sloped sheet metal drain pan
- Dedicated horizontal and downflow units
- Single point power for electric heat
- Complete line of optional electric heaters
- Internally enhanced coil tubing
- Low ambient to 0°F standard
- Colored and numbered wiring

- Phase monitor
- Quick-adjust idler arm pulley. Adjust belt tension, change belts, adjust airflow quickly (12½ – 25 tons), downflow only
- UL listed and CSA certified
- **5-year limited compressor warranty (12½ – 17½ tons)**
- **1-year limited compressor warranty (20 and 25 tons)**

Table PC-17-A — TCD-E, TCH-E Ultra-High Efficiency

Tons	Unit Model No.	Power Supply Volts/Phase/Hz	Performance EER (30)	Cooling Capacity (Btuh)	Dimensions (in.) H x W x L	Shipping Weight (lbs.)	MCA ^②	Max Fuse Size or Max Circuit Breaker ^①	Downflow ^③ Roofcurb
12½	TC*151E300A	208-230/3/60	12.0	149,000	54 x 85 ⁵ / ₁₆ x 122 ⁵ / ₁₆	2433	65	80	BAYCURB027B
15	TC*181E300B	208-230/3/60	12.0	181,000	54 x 85 ⁵ / ₁₆ x 122 ⁵ / ₁₆	2435	72	90	BAYCURB027B
17½	TC*211E300A	208-230/3/60	12.0	215,000	64 ¹ / ₈ x 85 ⁵ / ₁₆ x 122 ⁵ / ₁₆	2495	98	125	BAYCURB027B
20	TC*241E300A	208-230/3/60	11.0	264,000	64 ¹ / ₈ x 85 ⁵ / ₁₆ x 122 ⁵ / ₁₆	2498	105	125	BAYCURB027B
25	TC*301E300A	208-230/3/60	11.0/10.6	285,000 ^④	64 ¹ / ₈ x 85 ⁵ / ₁₆ x 122 ⁵ / ₁₆	2505	122	150	BAYCURB027B
12½	TC*151E400A	460/3/60	12.0	149,000	54 x 85 ⁵ / ₁₆ x 122 ⁵ / ₁₆	2433	31	40	BAYCURB027B
15	TC*181E400B	460/3/60	12.0	181,000	54 x 85 ⁵ / ₁₆ x 122 ⁵ / ₁₆	2435	37	45	BAYCURB027B
17½	TC*211E400A	460/3/60	12.0	215,000	64 ¹ / ₈ x 85 ⁵ / ₁₆ x 122 ⁵ / ₁₆	2495	47	60	BAYCURB027B
20	TC*241E400A	460/3/60	11.0	264,000	64 ¹ / ₈ x 85 ⁵ / ₁₆ x 122 ⁵ / ₁₆	2498	52	70	BAYCURB027B
25	TC*301E400A	460/3/60	11.0/10.6	285,000 ^④	64 ¹ / ₈ x 85 ⁵ / ₁₆ x 122 ⁵ / ₁₆	2505	61	70	BAYCURB027B
12½	TC*151EW00A	575/3/60	12.0	149,000	54 x 85 ⁵ / ₁₆ x 122 ⁵ / ₁₆	2433	25	30	BAYCURB027B
15	TC*181EW00B	575/3/60	12.0	181,000	54 x 85 ⁵ / ₁₆ x 122 ⁵ / ₁₆	2435	31	40	BAYCURB027B
17½	TC*211EW00A	575/3/60	12.0	215,000	64 ¹ / ₈ x 85 ⁵ / ₁₆ x 122 ⁵ / ₁₆	2495	38	50	BAYCURB027B
20	TC*241EW00A	575/3/60	11.0	264,000	64 ¹ / ₈ x 85 ⁵ / ₁₆ x 122 ⁵ / ₁₆	2498	42	50	BAYCURB027B
25	TC*301EW00A	575/3/60	11.0/10.6	285,000 ^④	64 ¹ / ₈ x 85 ⁵ / ₁₆ x 122 ⁵ / ₁₆	2505	49	60	BAYCURB027B

Table PC-17-B — TCD-E, TCH-E

Tons	Unit Model No.	Power Supply Volts/Phase/Hz	Performance EER (30)	Cooling Capacity (Btuh)	Dimensions (in.) H x W x L	Shipping Weight (lbs.)	MCA ^②	Max Fuse Size or Max Circuit Breaker ^①	Downflow Roofcurb
12½	TC*150E300A	208-230/3/60	11.0	158,000	50 ¹ / ₈ x 71 ⁵ / ₈ x 107 ⁵ / ₁₆	1857	68	80	BAYCURB026B
15	TC*180E300A	208-230/3/60	11.0	189,000	54 x 85 ⁵ / ₁₆ x 122 ⁵ / ₁₆	2371	78	100	BAYCURB027B
17½	TC*210E300A	208-230/3/60	11.0	212,000	54 x 85 ⁵ / ₁₆ x 122 ⁵ / ₁₆	2398	95	125	BAYCURB027B
20	TC*240E300A	208-230/3/60	10.2	250,000	54 x 85 ⁵ / ₁₆ x 122 ⁵ / ₁₆	2400	104	125	BAYCURB027B
25	TC*300E300A	208-230/3/60	10.0	282,000	54 x 85 ⁵ / ₁₆ x 122 ⁵ / ₁₆	2407	124	150	BAYCURB027B
12½	TC*150E400A	460/3/60	11.0	158,000	50 ¹ / ₈ x 71 ⁵ / ₈ x 107 ⁵ / ₁₆	1857	32	40	BAYCURB026B
15	TC*180E400A	460/3/60	11.0	189,000	54 x 85 ⁵ / ₁₆ x 122 ⁵ / ₁₆	2371	37	45	BAYCURB027B
17½	TC*210E400A	460/3/60	11.0	212,000	54 x 85 ⁵ / ₁₆ x 122 ⁵ / ₁₆	2398	47	60	BAYCURB027B
20	TC*240E400A	460/3/60	10.2	250,000	54 x 85 ⁵ / ₁₆ x 122 ⁵ / ₁₆	2400	50	60	BAYCURB027B
25	TC*300E400A	460/3/60	10.0	282,000	54 x 85 ⁵ / ₁₆ x 122 ⁵ / ₁₆	2407	59	70	BAYCURB027B
12½	TC*150EW00A	575/3/60	11.0	158,000	50 ¹ / ₈ x 71 ⁵ / ₈ x 107 ⁵ / ₁₆	1857	25	30	BAYCURB026B
15	TC*180EW00A	575/3/60	11.0	189,000	54 x 85 ⁵ / ₁₆ x 122 ⁵ / ₁₆	2371	32	40	BAYCURB027B
17½	TC*210EW00A	575/3/60	11.0	212,000	54 x 85 ⁵ / ₁₆ x 122 ⁵ / ₁₆	2398	37	50	BAYCURB027B
20	TC*240EW00A	575/3/60	10.2	250,000	54 x 85 ⁵ / ₁₆ x 122 ⁵ / ₁₆	2400	40	50	BAYCURB027B
25	TC*300EW00A	575/3/60	10.0	282,000	54 x 85 ⁵ / ₁₆ x 122 ⁵ / ₁₆	2407	48	60	BAYCURB027B

① HACR type circuit breaker per NEC.

② Information subject to change. Please confirm with current Product Data/Service Facts for current factory production.

③ Downflow only.

④ 278,000 in the horizontal airflow configuration.

* Digit 3 - H = Horizontal or D = Downflow.

Packaged Cooling with ReliaTel™ Controls 12½-25 Tons FLOPS

Table PC-18-A — Factory Installed Accessories^{①②}

For Complete list of all Factory Installed Options, please refer to the FLOPS section of this book.

Digit	Description	Order Number	Used With
1-9	Main Assembly (see previous page)		
10	Factory Installed Options		
	No Options	0	TC*150-301
	Downflow Economizer ^③	A	TCD150-301
	Oversized Motor	B	TC*150-241
	Downflow Economizer and Oversized Motor ^③	C	TCD150-241
	TXV/Face - Split Evaporator	H	TCD151, 181, 211, 241, 301
	Oversized Motor and TXV/Face -Split Evaporator	J	TCD151, 181, 211, 241
	Downflow Economizer, Oversized Motor and TXV/Face Split Evaporator ^③	K	TCD151, 181, 211, 241
	Downflow Economizer with TXV/Face - Split Evaporator ^③	L	TCD151, 181, 211, 241, 301
	Reheat Coil ^④	M	TCD151, 181, 241
	Downflow Economizer with Reheat Coil ^③	N	TCD151, 181, 241
	Oversized Motor and Reheat Coil ^④	P	TCD151, 181, 241
	Downflow Economizer, Oversized Motor and Reheat Coil ^{③④}	R	TCD151, 181, 241
11-12	Minor Design and Service Sequence	**	

① Price includes accessory and factory installation.

② Four (4) week shipping approximately.

③ Some field set up required.

④ All 10th digit model numbers including reheat coil (M,N,P,R) require additional factory installed options; ReliaTel™ Options Module (FIYABRD002B), Froststat (FIYLOAM023A or FIYLOAM031A), and 2" Pleated Filters (refer to FLOPS section for appropriate model number usage). For these or any Factory Installed Options not included in 10th digit model number, digits 1-3 must be TED.

Packaged Cooling with ReliaTel™ Controls 12½-25 Tons, R-410A Zone Sensors / Thermostats

Table PC-19-A — Zone Sensors for ReliaTel™

Model Number	Description	Used With
ASYSTAT106A	Single Setpoint Manual Changeover	YC*150-301
ASYSTAT108A	Dual Setpoint Manual or Automatic Changeover	YC*150-301
ASYSTAT111A	Remote Room Sensor	ASYSTAT777A
ASYSTAT777A	Programmable Night Setback	YC*150-301
ASYSTAT710A	Wall Mounted Humidity Sensor	YFD151,181,241 (with Reheat)
ASYSTAT711A	Duct Mounted Humidity Sensor	YFD151,181,241 (with Reheat)
BAYMTPL103A	Retrofit Wall Cover Plate Kit 7.25" x 6.0"	ASYSTAT777A

**For additional Controls Information:
See ReliaTel™ and Micro Control features on PC-15 and PC-16.**

Packaged Cooling with ReliaTel™ Controls 12½-25 Tons Accessories

Table PC-20-A — Field Installed Accessories

For complete list of of All Factory Installed Options refer to FLOPS section of this book.

Model Number	Description	Used With
BAYABRD002 ^⑥	ReliaTel™ Options Module.....	TC*150E-TC*301E
ASYSTAT713B ^③	CO ₂ Sensor Wall Mounted.....	TC*150E-TC*301E w/Economizer
ASYSTAT715B ^③	CO ₂ Sensor Duct Mounted.....	TC*150E-TC*301E w/Economizer
BAYCURB026B ^{⑤⑥}	Downflow Roof Curb (Can not be adapted for horizontal use)	TCD150E
BAYCURB027B ^{⑤⑥}	Downflow Roof Curb (Can not be adapted for horizontal use)	TCD151E-TCD301E, TCD180E-300E
BAYDFPS005A ^{⑦⑧}	Clogged Filter Switch (MERV 7).....	TC*150E-TC*301E
BAYDFPS006A ^{⑦⑧}	Fan Failure Switch.....	TC*150E-TC*301E
BAYDFPS013A	Clogged Filter Switch (MERV 13).....	TC*150E-TC*301E
BAYDMPR029C	0-25% Manual Outside Air Damper.....	TC*150E-TC*301E
BAYDMPR057A	0-50% Motorized Outside Air Damper.....	TC*150E
BAYDMPR058A	0-50% Motorized Outside Air Damper.....	TC*151E-TC*301E, TC*180E-300E
BAYECON089A ^⑨	Downflow Economizer with Barometric Relief.....	TCD150E
BAYECON090A ^⑨	Downflow Economizer with Barometric Relief.....	TCD151E-TCD301E, TCD180E-300E
BAYECON091A	Horizontal Economizer	TCH150E
BAYECON092A	Horizontal Economizer	TCH151E-TCH301E, TCH180E-300E
BAYENTH007A ^{①②}	Reference Enthalpy Kit.....	All BAYECON089-92A
BAYENTH008A ^{①③}	Comparative Enthalpy Kit.....	All BAYECON089-92A
BAYFRST003A	High Temperature Stat	TC*150E-TC*300E, TC*151E-301E
BAYGARD044B ^④	Tool-less Hail Guard.....	TC*150E
BAYGARD045A ^④	Tool-less Hail Guard.....	TC*151E, TC*180E, TC*181E, TC*210E TC*300E
BAYGARD051A	Tool-less Hail Guard.....	TC*240E
BAYGARD050A	Tool-less Hail Guard.....	TC*211E, TC*241E, TC*301E
BAYHSDR005B ^④	High Static Drive	TC*150E, TC*151E, TC*180E, TC*181E
BAYHSDR010A ^④	High Static Drive	TC*211E, TC*241E, TC*300E
BAYHSDR011A ^④	High Static Drive	TC*210E, TC*240E, TC*301E

① Kit contains all necessary parts to achieve desired level of Enthalpy Control.

② Reference Enthalpy senses outside temperature/humidity and inside return/mixed air temperature/humidity.

③ Comparative Enthalpy senses outside temperature/humidity and inside return/mixed air temperature/humidity.

④ High static drive and oversized motors are mutually exclusive, Do Not Combine.

⑤ Clarksville manufacturing has a no return policy for this roof curb.

⑥ For downflow use only. Can not be adapted for horizontal units.

⑦ BAYABRD002B is required when ordering field installed BAYDFPS005A or 006A, BAYTUBE008A or 009A and BAYLOAM023A or BAYVNOR002B.

⑧ Field or factory installed option.

⑨ Field installed accessory. Requires an economizer.

Table PC-21-A — Field Installed Accessories

For complete list of of All Factory Installed Options refer to FIOPS section of this book.

Model Number	Description	Used With
BAYHSMT039B①⑥	5HP Oversized Motor Kit (208-230/460V)	TC*150
BAYHSMT040B①⑥	5HP Oversized Motor Kit (575V)	TC*150
BAYHSMT055B①⑥	5HP Oversized Motor Kit (208-230/460V)	TC*180E
BAYHSMT042A①⑥	7-1/2HP Oversized Motor Kit (575V)	TC*210E, TC*211E, TC*240E, TC*241E
BAYHSMT072A①⑥	7-1/2HP Oversized Motor Kit (575V)	TC*180E, TC*181E
BAYHSMT098A①⑥	7-1/2HP Oversized Motor Kit (208-230V)	TC*211E, TC*241E
BAYHSMT099A①⑥	7-1/2HP Oversized Motor Kit (460V)	TC*211E, TC*241E
BAYLOAM023A⑥	Evaporator Defrost Control Frostat	TC*150E, TC*151E, TC*180E, TC*181E TC*210E, TC*240E, TC*300E
BAYLOAM031A	Evaporator Defrost Control Frostat	TC*211E, TC*241E, TC*301E
BAYLSDR004A②	Low Static Drive	TC*150E, TC*180E, TC*210E, TC*211E, TC*240E, TC*241E
BAYLSDR002A②	Low Static Drive	TC*151E, TC*181E, TC*300E
BAYPWRX029A	Power Exhaust for all 12½-25 Ton 230V units	BAYECON089-090A, TCD150-240
BAYPWRX030A	Power Exhaust for all 12½-25 Ton 460V units	BAYECON089-090A, TCD150-240
BAYPWRX031A	Power Exhaust for all 12½-25 Ton 575V units	BAYECON089-090A, TCD150-240
BAYSERV001A	Selective Resistance Service Tester	TC*150E-TC*301E
BAYSTAT023③	Remote Potentiometer	All Economizers and 0-50% Motorized Air Dampers
BAYTUBE008A④⑤⑥	Discharge Air Sensing Kit	TCD150E-TCD301E
BAYTUBE009A④⑤⑥	Discharge Air Sensing Kit	TCH150E-TCH301E
BAYQACB044A	Adapter Curb	BAYCURB026A/B to BAYCURB027A/B
BAYVNOR002B⑤	Ventilation Override Kit	TC*150-301 w/ReliaTel™ Options Module

- ① High static drive and oversized motors are mutually exclusive, Do Not Combine.
- ② Low static drive and oversized motors are mutually exclusive, Do Not Combine.
- ③ Cannot be used with Integrated Comfort™ Systems.
- ④ Used for true discharge air sensing in both heating and cooling models.
- ⑤ BAYABRD002B is required when ordering field installed BAYDFPS005A or 006A, BAYTUBE008A or 009A and BAYLOAM031A or BAYVNOR002B.
- ⑥ Field or factory installed option.

Packaged Cooling with ReliaTel™ Controls 12½-25 Tons Heaters

Table PC-22-A — Downflow Supplementary Heaters:

Model Number	Power Supply	kW Rating	Nominal BTUH	No. Stages	Used With
AYDHTRK318A	208-230/3/60	13.5/18.0	46,100/61,400	1	TCD150E-180E, TCD151E-181E
AYDHTRK336A	208-230/3/60	27.0/36.0	92,200/122,900	2	TCD150E-180E, TCD151E-181E
AYDHTRK354A	208-230/3/60	40.5/54.0	138,200/184,300	2	TCD150E-180E, TCD151E-181E
AYDHTRL418A	460/3/60	18.0	61,400	1	TCD150E-180E, TCD151E-181E
AYDHTRK427A	460/3/60	27.0	92,150	2	TCD181E
AYDHTRK436A	460/3/60	36.0	122,900	2	TCD150E-180E, TCD151E-181E
AYDHTRK454A	460/3/60	54.0	184,300	2	TCD150E-180E, TCD151E-181E
AYDHTRL336A	208-230/3/60	27.0/36.0	92,200/122,900	2	TCD210E-300E, TCD211E-301E
AYDHTRL354A	208-230/3/60	40.5/54.0	138,200/184,300	2	TCD210E-300E, TCD211E-301E
AYDHTRK372A	208-230/3/60	54.0/72.0	184,300/245,700	2	TCD210E-300E, TCD211E-301E
AYDHTRL427A	460/3/60	27.0	92,150	2	TCD211E, TCD241E, TCD301E
AYDHTRL436A	460/3/60	36.0	122,900	2	TCD210E-300E, TCD211E-301E
AYDHTRL454A	460/3/60	54.0	184,300	2	TCD210E-300E, TCD211E-301E
AYDHTRK472A	460/3/60	72.0	245,700	2	TCD210E-300E, TCD211E-301E

Table PC-22-B — Horizontal Supplementary Heaters:

Model Number	Power Supply	kW Rating	Nominal BTUH	No. Stages	Used With
AYHHTRN318A	208-230/3/60	13.5/18.0	46,000/61,400	1	TCH150E, TCH180E
AYHHTRP336A	208-230/3/60	27.0/36.0	92,200/122,900	2	TCH150E, TCH180E
AYHHTRP354A	208-230/3/60	40.5/54.0	138,200/184,300	2	TCH150E, TCH180E
AYHHTRN418A	460/3/60	18.0	61,400	1	TCH150E, TCH180E
AYHHTRP436A	460/3/60	36.0	122,900	2	TCH150E, TCH180E
AYHHTRP454A	460/3/60	54.0	184,300	2	TCH150E, TCH180E
AYHHTRN336A	208-230/3/60	27.0/36.0	92,200/122,900	2	TCH210E-300E, TCH211E-301E
AYHHTRN354A	208-230/3/60	40.5/54.0	138,200/184,300	2	TCH210E-300E, TCH211E-301E
AYHHTRN372A	208-230/3/60	54.0/72.0	184,300/245,700	2	TCH210E-300E, TCH211E-301E
AYHHTRN436A	460/3/60	36.0	122,900	2	TCH210E-300E, TCH211E-301E
AYHHTRN454A	460/3/60	54.0	184,300	2	TCH210E-300E, TCH211E-301E
AYHHTRN472A	460/3/60	72.0	245,700	2	TCH210E-300E, TCH211E-301E
AYHHTRM318A	208-230/3/60	13.5/18.0	46,100/61,400	1	TCH151E, TCH181E
AYHHTRM336A	208-230/3/60	27.0/36.0	92,200/122,900	2	TCH151E, TCH181E
AYHHTRM354A	208-230/3/60	40.5/54.0	138,200/184,300	2	TCH151E, TCH181E
AYHHTRM418A	460/3/60	18.0	61,400	1	TCH151E, TCH181E
AYHHTRM436A	460/3/60	36.0	122,900	2	TCH151E, TCH181E
AYHHTRM454A	460/3/60	54.0	184,300	2	TCH151E, TCH181E

Note: Unit with heater is single circuit/single point.

Packaged Cooling with ReliaTel™ Controls 12½-25 Tons Heaters

Table PC-23-A — Downflow Supplementary Heaters:

Model Number	Power Supply	kW Rating	Nominal BTUH	No. Stages	Used With
AYDHTRLW54A	575/3/60	54.0	184,300	2	TCD210E-300E, TCD211E-301E
AYDHTRKW18A	575/3/60	18.0	61,400	1	TCD150E-180E, TCD151E-181E
AYDHTRKW54A	575/3/60	54.0	184,300	2	TCD150E-180E, TCD151E-181E
AYDHTRKW72A	575/3/60	72.0	245,700	2	TCD210E-300E, TCD211E-301E
AYDHTRMW36A	575/3/60	36.0	122,900	2	TCD150E-300E, TCD151E-301E

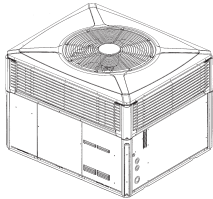
Table PC-23-B — Horizontal Supplementary Heaters:

Model Number	Power Supply	kW Rating	Nominal BTUH	No. Stages	Used With
AYHHTRMW18A	575/3/60	18.0	61,400	1	TCH151E, TCH181E
AYHHTRMW36A	575/3/60	36.0	122,900	2	TCH210E-300E, TCH151E-301E
AYHHTRMW54A	575/3/60	54.0	184,300	2	TCH151E, TCH181E
AYHHTRNW18A	575/3/60	18.0	61,400	1	TCH150E, TCH180E
AYHHTRNW54A	575/3/60	54.0	184,300	2	TCH210E-300E, TCH211E-301E
AYHHTRNW72A	575/3/60	72.0	245,700	2	TCH210E-300E, TCH211E-301E
AYHHTRPW36A	575/3/60	36.0	122,900	2	TCH150E, TCH180E
AYHHTRPW54A	575/3/60	54.0	184,300	2	TCH150E, TCH180E

Note: Unit with heater is single circuit/single point.

See ReliaTel™ and Micro Control features on PC-15 and PC-16.

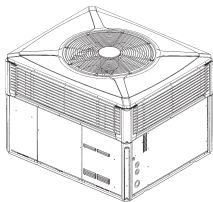
Packaged Heat Pump Convertible 2-5 Tons



4WCZ6

Table PH-1-A — 4WCZ6 - Heritage® 16 - Convertible Packaged Heat Pump - R-410A

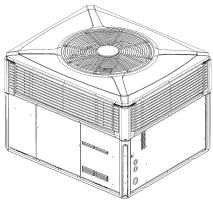
Model Number	Capacity	SEER	EER High/Low	HSPF	Shipping Weight	MCA	Max Fuse	Sound Rating	Cabinet Dimensions (in.) H x D x W
4WCZ6 – 208-230/1/60									
4WCZ6036A1000B	36,000	16.40	12.20/13.30	9.00	468	26.2	40	70	38 x 43 x 51
4WCZ6048A1000B	47,500	16.00	12.00/13.60	9.00	607	34.1	50	71	42 x 46 x 61
4WCZ6060A1000B	56,500	15.20	11.50/12.50	8.60	623	37.1	60	73	42 x 46 x 61
4WCZ6 – 208-230/3/60									
4WCZ6036A3000B	36,000	16.40	12.20/13.30	9.00	468	19.1	30	70	38 x 43 x 51
4WCZ6048A3000B	47,500	16.00	12.00/13.60	9.00	607	24.5	35	71	42 x 46 x 61
4WCZ6060A3000B	56,500	15.20	11.50/12.50	8.60	623	30.3	45	73	42 x 46 x 61
4WCZ6 – 460/3/60									
4WCZ6036A4000B	36,000	16.40	12.20/13.30	9.00	468	10.4	15	70	38 x 43 x 51
4WCZ6048A4000B	47,500	16.00	12.00/13.60	9.00	607	15.3	20	71	42 x 46 x 61
4WCZ6060A4000B	56,500	15.20	11.50/12.50	8.60	623	19.2	25	73	42 x 46 x 61



4DCZ6

Table PH-1-B — 4DCZ6 - Heritage Hybrid™ Comfort 16 - Convertible Packaged Heat Pump - R-410A

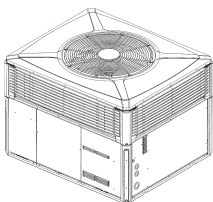
Model Number	Cooling Capacity (BTUH)	Gas Capacity Heating Output (1 Stg./2 Stg.)	SEER/EER	HSPF	AFUE(%)	Shipping Weight	MCA	Max Fuse	Sound Rating	Cabinet Dimensions (in.) H x D x W
4DCZ6 – 208-230/1/60										
4DCZ6036A1075B	35,000	48,400/60,000	16.00 /12.00	9.00	79.5	488	26.2	40	70	38 x 43 x 51
4DCZ6048A1096B	47,500	62,000/77,000	16.00 /12.00	9.00	80.0	665	34.1	50	71	42 x 46 x 61
4DCZ6060A1120B	57,000	77,500/96,000	15.20 /11.50	8.60	80.0	676	37.1	60	73	42 x 46 x 61
4DCZ6 – 208-230/3/60										
4DCZ6036A3075B	35,000	48,400/60,000	16.00 /12.00	9.00	79.5	488	19.1	30	70	38 x 43 x 51
4DCZ6048A3096B	47,500	62,000/77,000	16.00 /12.00	9.00	80.0	665	24.5	35	71	42 x 46 x 61
4DCZ6060A3120B	57,000	77,500/96,000	15.20 /11.50	8.60	80.0	676	30.3	45	73	42 x 46 x 61



4WCY4

Table PH-1-C — 4WCY4 - Heritage® 14 - Convertible Packaged Heat Pump - R-410A

Model Number	Capacity	SEER/EER	HSPF	Shipping Weight	MCA	Max Fuse	Sound Rating	Cabinet Dimensions (in.) H x D x W
4WCY4 – 208-230/1/60								
4WCY4024A1000A	23,600	14.00/12.00	8.00	453	16.1	25	68	36 x 43 x 51
4WCY4030A1000A	30,000	14.25/12.00	8.00	453	19.2	30	71	36 x 43 x 51
4WCY4036B1000A	37,400	14.25/12.00	8.00	468	24.6	40	69	38 x 43 x 51
4WCY4042A1000A	42,000	14.25/12.00	8.00	607	31.5	50	74	38 x 46 x 61
4WCY4048B1000A	47,500	14.00/12.00	8.00	607	33.9	50	73	38 x 46 x 61
4WCY4060B1000A	58,000	14.00/12.00	8.00	623	39.9	60	76	42 x 46 x 61
4WCY4 – 208-230/3/60								
4WCY4036A3000A	36,000	14.00/11.75	8.20	468	19.8	30	69	38 x 43 x 51
4WCY4048A3000A	47,000	14.00/11.75	8.00	607	26.4	40	73	38 x 46 x 61
4WCY4060A3000A	58,000	14.00/11.50	8.00	623	30.6	45	76	42 x 46 x 61



4DCY4

Table PH-1-D — Heritage Hybrid™ Comfort 14 - Convertible Packaged Heat Pump - R-410A

Model Number	Cooling Capacity (BTUH)	Gas Capacity Heating Output (1 Stg./2 Stg.)	SEER/EER	HSPF	AFUE(%)	Shipping Weight	MCA	Max Fuse	Sound Rating	Cabinet Dimensions (in.) H x D x W
4DCY4 – 208-230/1/60										
4DCY4024A1064A	23,600	38,400/51,000	14.00/12.00	8.00	79.0	481	16.1	25	68	36 x 43 x 51
4DCY4030A1075A	30,000	48,400/60,000	14.25/12.00	8.00	79.5	481	19.1	30	76	36 x 43 x 51
4DCY4036B1075A	37,400	48,400/60,000	14.25/12.00	8.00	79.5	488	24.6	40	69	38 x 43 x 51
4DCY4042A1096A	42,000	62,000/77,000	14.25/12.00	8.00	80.0	653	31.5	50	74	38 x 46 x 61
4DCY4048B1096A	47,500	62,000/77,000	14.00/12.00	8.00	80.0	653	33.9	50	73	38 x 46 x 61
4DCY4060B1120A	58,000	77,500/96,000	14.00/12.00	8.00	80.0	676	39.9	60	76	42 x 46 x 61
4DCY4 – 208-230/3/60										
4DCY4036A3075A	36,000	48,400/60,000	14.00/11.40	8.00	79.5	488	19.8	30	69	36 x 43 x 51
4DCY4048A3096A	47,000	62,000/77,000	14.00/11.75	8.00	80.0	653	26.4	40	73	38 x 46 x 61
4DCY4060A3120A	58,000	77,500/96,000	14.00/11.50	8.00	80.0	676	30.6	60	76	42 x 46 x 61

For dimensional/outline drawings, please refer to Product Data.

For information on Roof Curbs, please refer to the Accessories/Information Tab.

For complete equipment / combination selections, installation instructions and warranty information, please refer to Product Data/Ratings and/or Installers Guides and Limited Warranty Handbooks.

Packaged Heat Pump Convertible 2-5 Tons

Table PH-2-A — Features

	4WCZ6 3-5	4DCZ6 3-5	4WCY4 2-5	4DCY4 2-5
• SEER up to.....	16.40	16.00	14.25	14.25
• HSPF up to.....	9.00	9.00	8.20	8.00
• Exclusive Duration™ high efficiency compressor with internal overload protection.....	✓	✓	✓	✓
• Factory supplied charge.....	R-410A	R-410A	R-410A	R-410A
• Composite Vortica® indoor blower.....	✓	✓	✓	✓
• High efficiency ECM indoor blower motor with Comfort-R™ airflow system.....	✓	✓	✓	✓
• All aluminum Spine Fin™ outdoor coil.....	✓	✓	✓	✓
• Swept-blade outdoor fan for quiet operation.....	✓	✓	✓	✓
• Architecturally integrated louvers and corner guards.....	✓	✓	✓	✓
• Cabinet constructed of heavy gauge, galvanized steel and painted with a weather-resistant powder paint.....	✓	✓	✓	✓
• Stainless steel heat exchanger and burners.....	—	✓	—	✓
• Single stage cool.....	—	—	✓	✓
• Single stage heat.....	—	—	✓	—
• 2-stage gas.....	—	✓	—	✓
• 2-stage heating and cooling.....	✓	✓	—	—
• Start kit - factory installed (single phase only).....	—	—	2 & 2½	2 & 2½
• High pressure cutout.....	✓	✓	✓	✓
• Low pressure cutout.....	✓	✓	✓	✓
• Liquid line drier - factory installed.....	✓	✓	✓	✓
• Non-bleed expansion valves on indoor and outdoor coils.....	✓	✓	✓	✓
• Pressure taps, including liquid line taps, easily accessed and protected inside compressor compartment.....	✓	✓	✓	✓
• Right side electrical service access for high and low voltage connections.....	✓	✓	✓	✓
• Rugged steel basepan features deep drawn duct connections.....	✓	✓	✓	✓
• Steeply sloped composite drainpan.....	✓	✓	✓	✓
• Ships in horizontal configuration and converts quickly for downflow.....	✓	✓	✓	✓
• Copper tube, aluminum fin indoor coil.....	✓	✓	✓	✓
• All models are certified to UL 1995.....	✓	✓	✓	✓
• 20-year heat exchanger, 12-year compressor, 10-year outdoor coil, and 10-year all other functional parts registered limited warranty (Residential Use)Ⓢ	—	✓	—	—
• 20-year heat exchanger, 10-year compressor, 10-year outdoor coil, and 5-year all other functional parts registered limited warranty (Residential Use)Ⓢ	—	—	—	✓
• 12-year compressor, 10-year outdoor coil, and 10-year all other functional parts registered limited warranty (Residential Use)Ⓢ	✓	—	—	—
• 10-year compressor, 10-year outdoor coil, and 5-year all other functional parts registered limited warranty (Residential Use)Ⓢ	—	—	✓	—
• Extended Warranties Available	✓	✓	✓	✓

Ⓢ Registered Limited Warranty terms are available when you register within 60 days of installation. You can register online at americanstandardair.com or by phone at 800-554-8005; otherwise American Standard Heating & Air Conditioning's Base Limited Warranty terms will apply. Base Limited Warranty information on specific products can be found on ASDealerNet.com.

For dimensional/outline drawings, please refer to Product Data.

For information on Roof Curbs, please refer to the Accessories/Information Tab.

Packaged Heat Pump Convertible 2-5 Tons

Table PH-3-A — Accessories

Model Number	Description	Shipping Weight	4WCZ6 3-5	4DCZ6 3-5	4WCY4 2-5	4DCY4 2-5
BAYACCDOR1A	Hinged Filter Access Door ²		3	3	2-3	2-3
BAYACCDOR2A	Hinged Filter Access Door ²		4-5	4-5	3½-5	3½-5
BAYADAP050A	Adapter Curb (Cabinet A/B)		3	3	2-3	2-3
BAYADAP051A	Adapter Curb (Cabinet C)		3	3	2-3	2-3
BAYADAP052A	Adapter Curb (Cabinet A/B)		4-5	4-5	3½-5	3½-5
BAYADAP053A	Adapter Curb (Cabinet C)		4-5	4-5	3½-5	3½-5
BAYADAP054A	Adapter Curb (Cabinet D)		4-5	4-5	3½-5	3½-5
BAYASCT001	Anti-Short Cycle Timer ⁴		✓	✓	✓	✓
BAYCCHT101A	Crankcase Heater (230V) (Recip.)		—	—	2	2
BAYCCHT102A	Crankcase Heater (230V) (Scroll)		3, 4, 5	3, 4, 5	3, 5	3, 5
BAYCCHT404B	Crankcase Heater (460V) (Scroll)		3, 4, 5	3, 4, 5	3, 5	3, 5
BAYCOVR112A	12" Duct Shroud (Covers Horizontal Ducts) ⁶		3-5	3-5	2-5	2-5
BAYCOVR118A	18" Duct Shroud (Covers Horizontal Ducts) ⁶		3-5	3-5	2-5	2-5
BAYCURB050A	Flat Roof Full Perimeter Curb (Insulated)	74	1½-3	3	2-3	2-3
BAYCURB051A	Flat Roof Full Perimeter Curb (Insulated)	74	3½-5	4-5	3½-5	3½-5
BAYDMPR101A	2-Position Motorized Damper ^{7,8,9,10}		1½-3	3	2-3	2-3
BAYDMPR102A	2-Position Motorized Damper ^{7,8,9,10}		4-5	4-5	3½-5	3½-5
BAYECON101A	Economizer with Barometric Relief (Downflow) ^{1,2,3,4,10,11}		—	—	2-3	2-3
BAYECON102A	Economizer with Barometric Relief (Downflow) ^{1,2,3,4,10,11}		—	—	3½-5	3½-5
BAYECON103A	Economizer with Barometric Relief (Downflow) ^{1,2,3,4,10,11}	50	3	3	—	—
BAYECON104A	Economizer with Barometric Relief (Downflow) ^{1,2,3,4,10,11}	65	4-5	4-5	—	—
BAYECON200A	Economizer (Horizontal) ^{1,2,3,4,7}		—	—	2-3	2-3
BAYECON201A	Economizer (Horizontal) ^{1,2,3,4,7}		—	—	3½-5	3½-5
BAYECON203A	Economizer (Horizontal) ^{1,2,3,4,7}	85	3	3	—	—
BAYECON204A	Economizer (Horizontal) ^{1,2,3,4,7}	85	4-5	4-5	—	—
BAYECONCOMB101B	BAYECON101A, door, and filter kit		—	—	2-3	2-3
BAYECONCOMB102B	BAYECON102A, door, and filter kit		—	—	3½-5	3½-5
BAYECONCOMB103B	BAYECON103A, door, and filter kit		3	3	—	—
BAYECONCOMB104B	BAYECON104A, door, and filter kit		4-5	4-5	—	—
BAYENTH001A	Enthalpy Control Kit ³	2	✓	✓	✓	✓
BAYEXMK001A	Extreme Conditions Mounting Kit		✓	✓	✓	✓
BAYEXMK002B	Extreme Conditions Mounting Kit		✓	✓	✓	✓
BAYEXMK003A	Extreme Conditions Mounting Kit (Used on Slab Mounts)		✓	✓	✓	✓
BAYFLTR101C	1-2" Filter Frame ² -Requires one 20x25 filter (not included)	6	3	3	2-3	2-3
BAYFLTR201C	1-2" Filter Frame ² -Requires one 20x20, and one 20x18 filters (not included)	6	4-5	4-5	3½-5	3½-5
BAYLIFT002B	Lifting Lug Kit	5	✓	✓	✓	✓
BAYLOAM105A	Low Ambient Control Kit	5	✓	✓	✓	✓
BAYRLAY004A	Economizer Relay ¹		✓	—	✓	✓
BAYRLAY006A	Economizer Relay ¹	1	✓	✓	—	—
BAYOSAC001B	Outside Air Control for V.S. Economizer ⁸		3,4,5	3,4,5	—	—
BAYOSAH001A	Manual Fresh Air Damper ²	6	3	3	2-3	2-3
BAYOSAH002A	Manual Fresh Air Damper ²	8	4-5	4-5	3½-5	3½-5
BAYQSTK300A	Start Kit		—	—	1 Phase Only	1 Phase Only
BAYSQRD001A	16" Round Duct Adapter ⁵	5	3	3	2-3	2-3
BAYSQRD002A	18" Round Duct Adapter ⁵	3	4-5	4-5	2-5	2-5
BAYUTIL101B	Roof Curb Extension Kit		3	3	2-3	2-3
BAYUTIL102B	Roof Curb Extension Kit		4-5	4-5	3½-5	3½-5
BAYUV101A	21" Retrofit UVC Lamp Kit	5	3	3	2-3	1½-3
BAYUV102A	33" Retrofit UVC Lamp Kit	5	4-5	4-5	3½-5	3½-5

- ① Relay required with economizer on all heat pump applications.
- ② Must use filter frame when economizer/fresh air kit is used.
- ③ Dry bulb control standard with economizer.
- ④ 2-Stage cooling control required when using economizer.
- ⑤ It is the responsibility of the installing dealer to properly size the ductwork for each specific application.
- ⑥ BAYCOVR112,118A will not cover BAYSQRD002A applications.
- ⑦ Does not contain barometric relief.
- ⑧ Max fresh air - 25%.
- ⑨ For non-continuous fan gas-heating applications, the damper opens only when the OD ambient is above 50° F.
- ⑩ It is the designer/engineer's responsibility to review product specifications prior to equipment selection to insure optimal performance and compliance to codes.
- ⑪ Temperature of mixed air entering the heat exchanger is monitored and fresh air intake may be reduced under certain conditions.
- ⑫ BAYACCDOR1A requires BAYFLTR101B & BAYACCDOR2A requires BAYFLTR201B. They are not backward compatible to BAYFLTR101/201A.
- ⑬ BAYOSAC001B is not compatible with BAYACCDOR1A or BAYACCDOR2A.

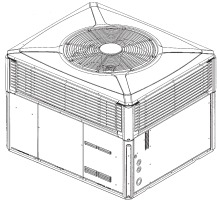
EXISTING CURB	NEW UNIT 4TC/WC/YC/DC****A	USE BAYADAP0**A
BAYCURB030,38A	018-036	50
BAYCURB030,38A	018-036	52
BAYCURB030,38A	018-036	51
BAYCURB030,38A	018-036	53
BAYCURB030,38A	018-036	54

For dimensional/outline drawings, please refer to Product Data.

For information on Roof Curbs, please refer to the Accessories/Information Tab.

For complete equipment / combination selections, installation instructions and warranty information, please refer to Product Data/Ratings and/or Installers Guides and Limited Warranty Handbooks.

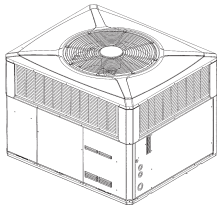
Packaged Heat Pump Convertible 1½-5 Tons



4WCX3

Table PH-4-A — 4WCX3 - Heritage® 13 - Convertible Packaged Heat Pump - R-410A

Model Number	Capacity	SEER/EER	HSPF	Shipping Weight	MCA	Max Fuse	Sound Rating	Cabinet Dimensions (in.) H x D x W
4WCX3 – 208-230/1/60								
4WCX3018A1000A	18,000	13.00/11.00	7.70	444	10.6	15	69	36 x 43 x 51
4WCX3024B1000A	23,400	13.00/11.50	8.00	453	13.6	20	71	36 x 43 x 51
4WCX3030A1000A	29,200	13.00/11.20	8.00	453	19.2	30	71	36 x 43 x 51
4WCX3036A1000A	35,000	13.00/11.00	7.70	468	25.5	40	71	36 x 43 x 51
4WCX3042A1000A	40,000	13.00/11.00	8.00	560	31.5	50	74	38 x 46 x 61
4WCX3048A1000A	46,000	13.00/10.75	7.70	553	31.1	50	73	38 x 46 x 61
4WCX3060A1000A	58,000	13.00/10.85	7.70	618	43.5	60	72	40 x 46 x 61
4WCX3 – 208-230/3/60								
4WCX3036A3000A	35,000	13.00/11.00	7.70	468	18.2	30	71	36 x 43 x 51
4WCX3048A3000A	46,000	13.00/10.75	7.70	553	23.6	35	73	38 x 46 x 61
4WCX3060A3000A	58,000	13.00/10.85	7.70	618	31.7	50	72	40 x 46 x 61
4WCX3 – 460/3/60								
4WCX3036A4000A	35,000	13.00/11.00	7.70	468	8.7	15	71	36 x 43 x 51
4WCX3048A4000A	46,000	13.00/10.75	7.70	553	11.7	15	73	38 x 46 x 61
4WCX3060A4000A	58,000	13.00/10.85	7.70	618	19.5	25	72	40 x 46 x 61



4WCC3

Table PH-4-B — 4WCC3 - American Standard 13 - Convertible Packaged Heat Pump - R-410A

Model Number	Capacity	SEER/EER	HSPF	Shipping Weight	MCA	Max Fuse	Sound Rating	Cabinet Dimensions (in.) H x D x W
4WCC3 – 208-230/1/60								
4WCC3018A1000A	18,000	13.00/11.00	7.70	444	10.6	15	74	36 x 42 x 49
4WCC3024B1000A	23,400	13.00/11.00	7.70	453	13.6	20	71	36 x 42 x 49
4WCC3030B1000A	28,000	13.00/11.00	7.70	453	19.2	30	71	36 x 42 x 49
4WCC3036A1000A	35,000	13.00/11.00	7.70	468	25.5	40	75	36 x 42 x 49
4WCC3042B1000A	40,000	13.00/11.00	7.70	560	31.5	50	74	38 x 45 x 59
4WCC3048A1000A	46,000	13.00/10.75	7.70	553	31.1	50	80	38 x 45 x 59
4WCC3060A1000A	58,000	13.00/10.85	7.70	618	43.5	60	79	40 x 45 x 59
4WCC3 – 208-230/3/60								
4WCC3036A3000A	35,000	13.00/11.00	7.70	468	18.2	30	75	36 x 42 x 49
4WCC3048A3000A	46,000	13.00/10.75	7.70	553	23.6	35	80	38 x 45 x 59
4WCC3060A3000A	58,000	13.00/10.85	7.70	618	31.7	50	79	40 x 45 x 59
4WCC3 – 460/3/60								
4WCC3036A4000A	35,000	13.00/11.00	7.70	468	8.7	15	75	36 x 42 x 49
4WCC3048A4000A	46,000	13.00/10.75	7.70	553	11.7	15	80	38 x 45 x 59
4WCC3060A4000A	58,000	13.00/10.85	7.70	618	19.5	25	79	40 x 45 x 59

For dimensional/outline drawings, please refer to Product Data.

For information on Roof Curbs, please refer to the Accessories/Information Tab.

Packaged Heat Pump Convertible 1½-5 Tons

Table PH-5-A — Features

	4WCX3 1½-5	4WCC3 1½-5
• SEER up to.....	13.00	13.00
• HSPF up to.....	8.25	7.70
• Exclusive Duration™ high efficiency compressor with internal overload protection.....	✓	✓
• Factory supplied charge.....	R-410A	R-410A
• Composite Vortica® indoor blower.....	✓	✓
• Direct drive multi-speed indoor blower motors.....	✓	✓
• All aluminum Spine Fin™ outdoor coil.....	✓	✓
• Swept-blade outdoor fan for quiet operation.....	✓	—
• Architecturally integrated louvers and corner guards.....	✓	—
• All steel louvers.....	—	✓
• Cabinet constructed of heavy gauge, galvanized steel and painted with a weather-resistant powder paint.....	✓	✓
• Single stage cool.....	✓	✓
• Start kit - factory installed (single phase only).....	1½ - 2½	1½ - 2½
• High pressure cutout.....	✓	✓
• Low pressure cutout.....	✓	✓
• Liquid line drier - factory installed.....	✓	✓
• Non-bleed expansion valves on indoor and outdoor coils.....	✓	✓
• Pressure taps, including liquid line taps, easily accessed and protected inside compressor compartment.....	✓	✓
• Right side electrical service access for high and low voltage connections.....	✓	✓
• Rugged steel basepan features deep drawn duct connections.....	✓	✓
• Steeply sloped composite drainpan.....	✓	✓
• Ships in horizontal configuration and converts quickly for downflow.....	✓	✓
• Copper tube, aluminum fin indoor coil.....	✓	✓
• All models are certified to UL 1995.....	✓	✓
• 10-year compressor, 10-year outdoor coil, and 5-year all other functional parts registered limited warranty (Residential Use)①	✓	—
• 10-year compressor, 5-year outdoor coil, and 5-year all other functional parts registered limited warranty (Residential Use)①	—	✓
• Extended warranties available	✓	✓

① Registered Limited Warranty terms are available when you register within 60 days of installation. You can register online at americanstandardair.com or by phone at 800-554-8005; otherwise American Standard Heating & Air Conditioning's Base Limited Warranty terms will apply. Base Limited Warranty information on specific products can be found on ASDealerNet.com.

**For dimensional/outline drawings, please refer to Product Data.
For information on Roof Curbs, please refer to the Accessories/Information Tab.**

Packaged Heat Pump Convertible 1½-5 Tons

Table PH-6-A — Accessories

			4WCX3 1½-5	4WCC3 1½-5
Model Number	Description	Shipping Weight		
BAYACCDOR1A	Hinged Filter Access Door ^④		1½-3	1½-3
BAYACCDOR2A	Hinged Filter Access Door ^④		3½-5	3½-5
BAYADAP050A	Adapter Curb (Cabinet A/B)		1½-3	1½-3
BAYADAP051A	Adapter Curb (Cabinet C)		1½-3	1½-3
BAYADAP052A	Adapter Curb (Cabinet A/B)		3½-5	3½-5
BAYADAP053A	Adapter Curb (Cabinet C)		3½-5	3½-5
BAYADAP054A	Adapter Curb (Cabinet D)		3½-5	3½-5
BAYASCT001	Anti-Short Cycle Timer ^⑤		✓	✓
BAYCCHT101A	Crankcase Heater (230V) (Recip.)		1½	1½
BAYCCHT102A	Crankcase Heater (230V) (Scroll)		2-5	2-5
BAYCCHT404B	Crankcase Heater (460V) (Scroll)		3-5	3-5
BAYCOVR112A	12" Duct Shroud (Covers Horizontal Ducts) ^⑥		1½-5	1½-5
BAYCOVR118A	18" Duct Shroud (Covers Horizontal Ducts) ^⑥		1½-5	1½-5
BAYCURB050A	Flat Roof Full Perimeter Curb (Insulated)	74	2-3	1½-3
BAYCURB051A	Flat Roof Full Perimeter Curb (Insulated)	74	3½-5	3½-5
BAYDMPR101A	2-Position Motorized Damper ^{②④⑩⑪⑫}		2-3	1½-3
BAYDMPR102A	2-Position Motorized Damper ^{②④⑩⑪⑫}		3½-5	3½-5
BAYECON101A	Economizer with Barometric Relief (Downflow) ^{①②④⑤⑫⑬}		1½-3	1½-3
BAYECON102A	Economizer with Barometric Relief (Downflow) ^{①②④⑤⑫⑬}		3½-5	3½-5
BAYECON200A	Economizer (Horizontal) ^{①②④⑤⑫}		1½-3	1½-3
BAYECON201A	Economizer (Horizontal) ^{①②④⑤⑫}		3½-5	3½-5
BAYECONCOMB101A	BAYECON101A, door, and filter kit		1½-3	1½-3
BAYECONCOMB102A	BAYECON102A, door, and filter kit		3½-5	3½-5
BAYENTH001A	Enthalpy Control Kit ^④	2	✓	✓
BAYEXMK001A	Extreme Conditions Mounting Kit		✓	✓
BAYEXMK002B	Extreme Conditions Mounting Kit		✓	✓
BAYEXMK003A	Extreme Conditions Mounting Kit (Used on Slab Mounts)		✓	✓
BAYFLTR101B	1-2" Filter Frame-Requires one 20x25 filter. (not included) ^②	6	1½-3	1½-3
BAYFLTR201B	1-2" Filter Frame-Requires one 20x20, and one 20x18 filters. (not included) ^②	.6	3½-5	3½-5
BAYLIFT002B	Lifting Lug Kit	5	✓	✓
BAYLOAM105A	Low Ambient Control Kit	5	✓	✓
BAYRLAY004A	Economizer Relay ^①		✓	✓
BAYOSAC001B	Outside Air Control for V.S. Economizer ^⑤		3,4,5	3,4,5
BAYOSAH001A	Manual Fresh Air Damper ^②	6	1½-3	1½-3
BAYOSAH002A	Manual Fresh Air Damper ^②	8	3½-5	3½-5
BAYQSTK300A	Start Kit		1 Phase Only	1 Phase Only
BAYSQRD001A	16" Round Duct Adapter ^⑦	5	1½-3	1½-3
BAYSQRD002A	18" Round Duct Adapter ^⑦	3	1½-5	1½-5
BAYUTIL101B	Roof Curb Extension Kit		1½-3	1½-3
BAYUTIL102B	Roof Curb Extension Kit		3½-5	3½-5
BAYUV101A	21" Retrofit UVC Lamp Kit	5	1½-3	1½-3
BAYUV102A	33" Retrofit UVC Lamp Kit	5	3½-5	3½-5

- ① Relay required with economizer on all heat pump applications.
- ② Must use filter frame when economizer/fresh air kit is used.
- ③ Ships knocked down.
- ④ Dry bulb control standard with economizer.
- ⑤ 2-Stage cooling control required when using economizer.
- ⑥ Do not use with electronic thermostats.
- ⑦ It is the responsibility of the installing dealer to properly size the ductwork for each specific application.
- ⑧ BAYCOVR112,118A will not cover BAYSQRD002A applications.
- ⑨ Does not contain barometric relief.
- ⑩ Max fresh air - 25%.
- ⑪ For non-continuous fan gas-heating applications, the damper opens only when the OD ambient is above 50° F.
- ⑫ It is the designer/engineer's responsibility to review product specifications prior to equipment selection to insure optimal performance and compliance to codes.
- ⑬ Temperature of mixed air entering the heat exchanger is monitored and fresh air intake may be reduced under certain conditions.
- ⑭ BAYACCDOR1A requires BAYFLTR101B & BAYACCDOR2A requires BAYFLTR201B. They are not backward compatible to BAYFLTR101/201A.
- ⑮ BAYOSAC001B is not compatible with BAYACCDOR1A or BAYACCDOR2A.

EXISTING CURB	NEW UNIT 4TC/WC/YC/DC****A	USE BAYADAP0**A
BAYCURB030,38A	018-036	50
BAYCURB030,38A	018-036	52
BAYCURB030,38A	018-036	51
BAYCURB030,38A	018-036	53
BAYCURB030,38A	018-036	54

For dimensional/outline drawings, please refer to Product Data.

For information on Roof Curbs, please refer to the Accessories/Information Tab.

Packaged Heat Pump Convertible 1½-5 Tons

Table PH-7-A — Supplementary Heaters – Separate power source /power entry required

Model Number	Description	Used With	Shipping Weight
BAYHTRV105E	3.76/5.0 kW Heater (208/240V 1PH)	4WC*3018-060^1,4024-060^1,6036-060^1	9
BAYHTRV108E	6.0/8.0 kW Heater (208/240V 1PH)	4WC*3018-060^1,4024-060^1,6036-060^1	10
BAYHTRV110E	7.50/10.0 kW Heater (208/240V 1PH)	4WC*3024-060^1,4024-060^1,6036-060^1	10
BAYHTRV115E	11.27/15.00 kW Heater (208/240V 1PH)	4WC*3030-060^1,4030-060^1,6036-060^1	14
BAYHTRV120E	15.00/20.0 kW Heater (208/240V 1PH)	4WC*3042-060^1,4048-060^1,6048-060^1	14
BAYHTRV125E	18.78/25.0 kW Heater (208/240V 1PH)	4WC*3060A1,4060^1,6048-060^1	21
BAYHTRV305E	3.76/5.0 kW Heater (208/240V 3PH)	4WC*3018-060A3,4036-060A3,6036-060A3	9
BAYHTRV308E	6.0/8.0 kW Heater (208/240V 3PH)	4WC*3018-060A3,4036-060A3,6036-060A3	10
BAYHTRV310E	7.50/10.0 kW Heater (208/240V 3PH)	4WC*3024-060A3,4036-060A3,6036-060A3	10
BAYHTRV315E	11.27/15.00 kW Heater (208/240V 3PH)	4WC*3030-060A3,4036-060A3,6036-060A3	14
BAYHTRV320E	15.00/20.0 kW Heater (208/240V 3PH)	4WC*3048-060A3,4048-060A3,6048-060A3	14
BAYHTRV325E	18.78/25.0 kW Heater (208/240V 3PH)	4WC*3060A3,4060A3,6048-060A3	20
BAYHTRV405E	5.0 kW Heater (480V 3PH)	4WC*3018-060A4,6036-060A4	9
BAYHTRV408E	8.0 kW Heater (480V 3PH)	4WC*3018-060A4,6036-060A4	10
BAYHTRV410E	10.0 kW Heater (480V 3PH)	4WC*3024-060A4,6036-060A4	10
BAYHTRV415E	15.00 kW Heater (480V 3PH)	4WC*3030-060A4,6036-060A4	14
BAYHTRV420E	20.0 kW Heater (480V 3PH)	4WC*3048-060A4,6048-060A4	14
BAYHTRV425E	25.0 kW Heater (480V 3PH)	4WC*3060A4,6048-060A4	16

Table PH-7-B — Single Power Entry Kit/Heater Matrix:

Single Power Entry Kit ^①	Heater Model	Unit Model	Shipping Weight
BAYSPEK060E	BAYHTRV105E BAYHTRV108E	4WC*3018-036^1, 4WCY4024-036^1, 4WCZ6036^1 4WC*3018^1, 4WCY4024^1	3
BAYSPEK061E	BAYHTRV305E BAYHTRV308E BAYHTRV310E BAYHTRV405E BAYHTRV408E	4WC*3036-060A3, 4WCY4036-060A3, 4WCZ6036-060A3 4WC*3036-060A3, 4WCY4036-060A3, 4WCZ6036-060A3 4WC*3036-048A3, 4WCY4036-060A3, 4WCZ6036-048A3 4WC*3036-060A4, 4WCZ6048-060A4 4WCZ6048-060A4	7
BAYSPEK062E	BAYHTRV410E BAYHTRV415E BAYHTRV420E	4WC*3036-060A4, 4WCZ6036-060A4 4WC*3036-060A4, 4WCZ6036-060A4 4WC*3036-048A4, 4WCZ6048-060A4	7
BAYSPEK062E	BAYHTRV105E BAYHTRV108E BAYHTRV110E	4WC*3048-060^1, 4WCY4048-060^1, 4WCZ6048-060^1 4WC*3036-060^1, 4WCY4036-060^1, 4WCZ6036-060^1 4WC*3048-060^1, 4WCY4024-060^1, 4WCZ6036-060^1	7
BAYSPEK063E	BAYHTRV115E BAYHTRV120E	4WC*3036-060^1, 4WCY4036-060^1, 4WCZ6036-060^1 4WC*3048-060^1, 4WCY4048-060^1, 4WCZ6048-060^1	7
BAYSPEK064E	BAYHTRV315E BAYHTRV320E	4WC*3036-060A3, 4WCY4036-060A3, 4WCZ6036-060A3 4WC*3048-060A3, 4WCY4048-060A3, 4WCZ6048-060A3	6
BAYSPEK065E	BAYHTRV310E	4WC*3060A3, 4WCY4060A3, 4WCZ6060A3	7

① All necessary fuses are included in kit; however, not all kits require fuses. Please refer to BAYSPEK Installers Guide.

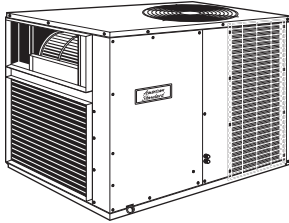
Note: Replace "" with "C" or "X" as appropriate.

Note: Replace "^" with "A" or "B" as appropriate.

For dimensional/outline drawings, please refer to Product Data.

**For information on Roof Curbs, please refer to the
Accessories/Information Tab.**

Packaged Heat Pump Over/Under 2-5 Tons



4WHC3

- **Duration™** compressor
- Over (supply) under (return) air
- Compressor sump heat

- Compressor internal overload protection
- Solenoid operated switchover valve
- Demand defrost control system
- Multi-speed direct drive blower motor
- High efficiency ECM indoor blower motor on 4WHC3042, 048 and 060 models
- Weather resistant Powder Paint
- Copper tube, aluminum plate fin coils
- Top discharge condensing fan
- Indoor fan relay
- Factory installed wrap-around coil guard
- Top access to supplementary heater
- Expansion valves
- Pressure taps for refrigerant checks
- Polarized plug for easy field connection of low voltage to supplementary heaters
- 4WHC3030-060 contain high efficiency indoor blower motors
- Low ambient cooling to 45°F as manufactured
- Low ambient cooling to 0°F with accessory BAYLOAM011A
- All models are certified to UL 1995
- **5-year limited warranty on compressor, outdoor coil and all other functional parts (Residential Use)**
- **Optional extended warranties**

Table PH-8-A — 4WHC – Over/Under Horizontal Unit – R-410A

Unit Model No.	Capacity	SEER/EER	HSPF	Dimensions (in.)		Shipping Weight (lbs.)	MCA*	Max Fuse*	Sound Rating
				H x D x W					
4WHC3024A1000A	25,400	13.5/12	7.7	31 x 44 x 32		345	14	20	76
4WHC3030A1000A	29,400	14/12	8	31 x 44 x 32		345	19	30	75
4WHC3036A1000A	35,600	13/11	8	31 x 44 x 32		345	22	35	75
4WHC3042A1000A	41,500	13/11	7.7	31 x 44 x 32		353	31	50	77
4WHC3048A1000A	47,000	13.5/11	7.7	33 x 58 x 45		520	37	50	84
4WHC3060A1000A	60,000	13/10.8	7.7	33 x 58 x 45		537	43	60	84
Tons Supply H x W Return H x W									
2 – 3½ 8¾ x 27¾ 16¾ x 27¾									
4 – 5 8½ x 32½ 19½ x 32½									

Dimensions are in inches. See Outline Dimensions.

* Information subject to change. Please confirm with current Product Data/Service Facts for current factory production. Compressor Types are: R1 = Reciprocating One Cylinder, R2 = Reciprocating Two Cylinder, S = Scroll

**For dimensional/outline drawings, please refer to Product Data.
For information on Roof Curbs, please refer to the
Accessories/Information Tab.**

Packaged Heat Pump Convertible 3-10 Tons



Featuring A New Look for a New Century

Beveled Top
Smoother Design
Small compact cabinet
Recessed access handles

Standard Features:

- American Standard Heating & Air Conditioning built scroll compressors on all 4-10 ton units. 3 ton unit has a Reciprocating Compressor
- ReliaTel™ Controls (**See page PC-15 for ReliaTel™ Control Information**)
- Thermal Expansion Valve
- Colored and numbered wiring
- Phase Monitor, R-410A, 3 Phase Units
- Provisions for through the Base Condensate Drain Connections
- Patented Hybrid Condenser Coil for easy cleaning
- 2" throwaway filters provided on 3-10 ton units
- Liquid Line Refrigerant Drier
- Operating Charge of R-410A
- IAQ Sloped Drain Pans
- Single point power for electric Heat
- Low Ambient cooling to 0°F
- Anti-Short Cycle Timer (Standard with ReliaTel™)
- 5 - year Limited Compressor Warranty
- 1 - year Limited Parts Warranty

Added Flexibility

- Convertible airflow
- Fork lift openings on three sides of unit
- Direct or belt drive - standard or oversized motors (Direct for 3-5 ton only)
- We don't prepackage options
- Choose options tailored to suit each job —pay only for what is needed
- Units ship with options installed —and within our standard ship cycle time

Factory Installed Options

- Through-the-Base — Electrical
- Convenience Outlet — Powered or unpowered
- Unit Disconnect Switch
- Circuit Breaker
- Smoke Detectors — Supply, return, or both
- Condenser Coil Coating
- Hinged Access Service Panels
- Discharge Air Sensor
- Fan Fail and Clogged Filter Switches
- Condenser Coil Guard — Hail Protection Quality
- Comm 3/4 Communication Interface
- Froststat
- 2" MERV 7 filters or 2" MERV 13 filters
- Black Epoxy Pre-Coated Coils
- Crankcase Heaters^①

^① Crankcase heaters are optional on WSC036E1, WSC048E1, WSC060E1.

***The same American Standard Heating & Air Conditioning
Quality and Reliability ... with added Flexibility!***

Packaged Heat Pump Convertible 3-10 Tons

Table PH-10-A — Base Unit — Standard Efficiency — ReliaTel™ Microprocessor Controls

Tons	Unit Ordering No.	Performance ^② SEER/EER	Cooling Capacity (Btuh)	Cabinet Dimensions (in.) H x D x W	Downflow Supply	Downflow Return	Shipping Weight (lbs.)	MCA*	Max ^① Fuse*
WSC – 208-230/1/60 – Single Phase – No Heat									
3	WSC036E1R0A0000	13.0	37,650	36 x 43 x 69	16 x 15.5	24 x 14	589	31.2	45
4	WSC048E1R0A0000	13.0	49,040	36 x 43 x 69	16 x 15.5	24 x 14	600	38.9	60
5	WSC060E1R0A0000	13.0	58,360	41 x 53 x 89	33 x 17.5	32.13 x 17.5	825	44.6	70
WSC – 208-230/3/60 – Three Phase – No Heat									
3	WSC036E3R0A0000	13.0	38,030	36 x 43 x 69	16 x 15.5	24 x 14	589	23.8	35
4	WSC048E3R0A0000	13.0	50,130	36 x 43 x 69	16 x 15.5	24 x 14	600	27.5	40
5	WSC060E3R0A0000	13.0	63,440	41 x 53 x 89	33 x 17.5	32.13 x 17.5	825	30.2	45
6	WSC072E3*0A0000	11.4	78,000	41 x 53 x 89	33 x 17.5	32.13 x 17.5	835	36.3	50
7½	WSC090E3*0A0000	11.1	94,000	47 x 53 x 89	33 x 17.5	32.13 x 17.5	902	38.4	60
10	WSC120E3*0A0000	11.2	126,000	51 x 63 x 100	33 x 17.5	32.25 x 17.5	1388	51.9	60
WSC – 460/3/60 – Three Phase – No Heat									
3	WSC036E4R0A0000	13.0	38,030	36 x 43 x 69	16 x 15.5	24 x 14	589	11.4	15
4	WSC048E4R0A0000	13.0	50,130	36 x 43 x 69	16 x 15.5	24 x 14	600	12.3	15
5	WSC060E4R0A0000	13.0	63,440	41 x 53 x 89	33 x 17.5	32.13 x 17.5	825	14.7	20
6	WSC072E4*0A0000	11.4	78,000	41 x 53 x 89	33 x 17.5	32.13 x 17.5	835	20.3	30
7½	WSC090E4*0A0000	11.1	94,000	47 x 53 x 89	33 x 17.5	32.13 x 17.5	902	19	30
10	WSC120E4*0A0000	11.2	126,000	51 x 63 x 100	33 x 17.5	32.25 x 17.5	1388	26.1	35
WSC – 575/3/60 – Three Phase – No Heat									
3	WSC036EWR0A0000	13.0	38,030	36 x 43 x 69	16 x 15.5	24 x 14	589	8.8	15
4	WSC048EWR0A0000	13.0	50,130	36 x 43 x 69	16 x 15.5	24 x 14	600	9.5	15
5	WSC060EWR0A0000	13.0	63,440	41 x 53 x 89	33 x 17.5	32.13 x 17.5	825	11.0	15
6	WSC072EW0A0000	11.4	78,000	41 x 53 x 89	33 x 17.5	32.13 x 17.5	835	12.4	20
7½	WSC090EW0A0000	11.1	94,000	47 x 53 x 89	33 x 17.5	32.13 x 17.5	902	14.5	20
10	WSC120EW0A0000	11.2	126,000	51 x 63 x 100	33 x 17.5	32.25 x 17.5	1388	21.1	25

* Information subject to change. Please confirm with current Product Data/Service Facts for current factory production.

① HCAR breaker per NEC.

② SEER applies, 3-5 tons; EER applies 6-10 tons.

Packaged Heat Pump Convertible 3-10 Tons (Model Digit Numbers)

Digit	Description	Order Number	Digit	Description	Order Number
1-8	Main Assembly (see previous page)		18	Through the Base Provisions	
9	Unit Controls			No Through the Base Provisions	0
	ReliaTel™ Micro-processor	R		Through the Base Electric®	A
10	(See Heater Table below)		19	Disconnect/Circuit Breaker® (3 phase only)	
11	Minor Design Sequence			No Disconnect /Circuit Breaker/No Phase Monitor	0
	First Sequence	A		Unit Mounted Non-Fused Disconnect®	1
12-13	Service Sequence			Unit Mounted Circuit Breaker®	2
	First Sequence (Factory Assigned).....	*,*	20	Convenience Outlet	
14	Fresh Air Selection			No Convenience Outlet.....	0
	No Fresh Air.....	0		Unpowered Convenience Outlet	A
	0-50% Manual Outside Air Damper①	A		Powered Convenience Outlet (3 phase only)②	B
	0-50% Motorized Outside Air Damper	B	21	Communications Options	
	0-100% Economizer, Dry Bulb without Barometric Relief ①	C		No Communications Interface.....	0
	0-100% Economizer, Dry Bulb with Barometric Relief①	D		Comm 3/4 Communications Interface.....	1
	0-100% Economizer, Reference Enthalpy without Barometric Relief①	E	22	Refrigeration System Option③	
	0-100% Economizer, Reference Enthalpy with Barometric Relief①	F		Standard Refrigeration System.....	0
	0-100% Economizer, Comparative Enthalpy without Barometric Relief ①	G	23	Refrigeration Controls	
	0-100% Economizer, Comparative Enthalpy with Barometric Relief ①	H		No Refrigeration Control	0
15	Supply Fan/Drive Type/Motor			Froststat	2
	Standard Drive.....	0		Crankcase Heater	3
	Oversized Motor	1		Froststat and Crankcase Heater.....	6
	Optional Belt Drive Motor (3 phase only)	2	24	Smoke Detector④⑤	
16	Hinged Service Access & Filters			No Smoke Detector	0
	Standard Panels & Filters	0		Return Air Smoke Detector	A
	Hinged Access Panels & Standard Filters	A		Supply Air Smoke Detector.....	B
	Standard Panels & 2" Pleated Filters MERV 7.....	B		Supply and Return Air Smoke Detectors	C
	Hinged Access Panels & 2" Pleated Filters MERV 7	C	25	Monitoring Controls	
	Standard Panels & 2" Pleated Filters MERV 13.....	D		No Monitoring Control	0
	Hinged Access Panels & 2" Pleated Filters MERV 13	E		Clogged Filter Switch.....	1
17	Condenser Coil Protection			Fan Failure Switch	2
	Standard Coil	0		Discharge Air Sensing Tube	3
	Standard Coil with Hail Guard	1		Clogged Filter Switch and Fan Fail Switch	4
	Black Epoxy Pre-Coated Condenser Coil	2		Clogged Filter Switch and Discharge Air Sensing Tube	5
	Black Epoxy Coated Pre-Condenser Coil with Hail Guard	3		Fan Fail Switch and Discharge Air Sensing Tube	6
				Clogged Filter and Fan Fail Switches and Discharge Air Sensing Tube	7

① Economizer with Barometric Relief is for downflow configured units only. Order Economizer without Barometric Relief for horizontal configuration. Barometric relief for horizontal configured units must be ordered as field installed accessory BAYBARM010A.
② Requires use of Disconnect or Circuit Breaker.
③ Standard refrigeration metering device - short orifice.
④ Not available with BAYFRST003A High Temperature Stat accessory.
⑤ The return air smoke detector may not fit up or work properly on the Convertible units when used in conjunction with 3rd party accessories such as bolt on heat wheels, economizers and power exhaust. Do not order the return air smoke detectors when using this type of accessory.

⑥ Through the base electric required when ordering disconnect/circuit breaker options.
⑦ The manual outside air damper will ship factory supplied within the unit, but must be field installed.
⑧ Phase Monitor is standard on all R-410A 3 Phase models.

Heaters (Digit 10)

kW Rating	Digit	Nominal BTUH	No. Stages	Used With	kW Rating	Digit	Nominal BTUH	No. Stages	Used With
208/240/1/60					460/3/60				
3.8/5.0	(A)	12,800/17,100	1	WSC036-060E1	6.0	(B)	20,500	1	WSC036-060E4
7.5/10.0	(D)	25,600/34,100	2	WSC036-060E1	12.0	(E)	41,000	2	WSC036-060E4
10.4/13.8	(F)	35,300/47,100	2	WSC036-060E1	17.4	(G)	59,400	2	WSC036-060E4
13.2/17.6	(G)	45,100/60,100	2	WSC048-060E1	23.0	(J)	78,500	2	WSC060E4
208/240/3/60					575/3/60				
4.5/6.0	(B)	13,400/20,500	1	WSC036-060E3	9.0	(C)	30,700	1	W*C072-090E4
9.0/12.0	(E)	30,800/59,400	2	WSC036-060E3	18.0	(G)	61,400	1	W*C072-120E4
13.1/17.4	(G)	44,600/59,400	2	WSC036-060E3	27.0	(K)	92,100	2	W*C072-120E4
17.3/23.0	(J)	58,900/78,500	2	WSC060E3	36.0	(N)	122,900	2	W*C072-120E4
6.75/9.0	(C)	23,000/30,700	1	W*C072-090E3	54.0	(P)	184,300	2	W*C120E4
13.5/18.0	(G)	46,100/61,400	1	W*C072-120E3	6.0	(B)	20,500	1	WSC036-060EW
20.3/27.0	(K)	69,000/92,100	2	W*C072-120E3	12.0	(E)	41,000	2	WSC036-060EW
27.0/36.0	(N)	92,200/122,900	2	W*C072-120E3	17.4	(G)	59,400	2	WSC036-060EW
40.5/54.0	(P)	138,200/184,300	2	W*C120E3	23.0	(J)	78,500	2	WSC060EW
					9.0	(C)	30,700	1	W*C072-090EW
					18.0	(G)	61,400	1	W*C072-120EW
					27.0	(K)	92,100	2	W*C072-120EW
					36.0	(N)	122,900	2	W*C072-120EW
					54.0	(P)	184,300	2	W*C120EW

Packaged Heat Pump Convertible 3-5 Tons, Electric Heaters

Table PH-12-A — Accessory Electric Heaters – Unit with heater is single circuit / single point power entry

Model Number	Power Supply	kW Rating	Nominal BTUH	No. Stages	Used With
BAYHTRE105A	208-230/1/60	3.8/5.0	12,900/13,400	1	WSC036-048E1
BAYHTRE110A	208-230/1/60	7.5/10.0	25,600/34,000	2	WSC036-048E1
BAYHTRE114A	208-230/1/60	10.4/13.8	35,000/47,100	2	WSC036-048E1
BAYHTRE118A	208-230/1/60	13.2/17.6	45,100/60,100	2	WSC048E1
BAYHTRE306B	208-230/3/60	4.5/6.0	13,400/20,500	1	WSC036-048E3
BAYHTRE312B	208-230/3/60	9.0/12.0	30,800/41,000	2	WSC036-048E3
BAYHTRE318B	208-230/3/60	13.0/17.4	44,600/59,400	2	WSC036-048E3
BAYHTRE406B	460/3/60	6.0	20,500	1	WSC036-048E4
BAYHTRE412B	460/3/60	12.0	41,000	2	WSC036-048E4
BAYHTRE418B	460/3/60	17.4	59,400	2	WSC036-048E4
BAYHTREW06B	575/3/60	6.0	20,500	1	WSC036-048EW
BAYHTREW12B	575/3/60	12.0	41,000	2	WSC036-048EW
BAYHTREW18B	575/3/60	17.4	59,400	2	WSC036-048EW

Table PH-12-B — Accessory Electric Heaters – Unit with heater is single circuit / single point power entry (5 Ton Only)

Model Number	Power Supply	kW Rating	Nominal BTUH	No. Stages	Used With
BAYHTRX105A	208-230/1/60	3.8/5.0	12,900/13,400	1	WSC060E1
BAYHTRX110A	208-230/1/60	7.5/10.0	25,600/34,000	2	WSC060E1
BAYHTRX114A	208-230/1/60	10.4/13.8	35,000/47,100	2	WSC060E1
BAYHTRX118A	208-230/1/60	13.2/17.6	45,100/60,100	2	WSC060E1
BAYHTRX306B	208-230/1/60	4.5/6.0	13,400/20,500	1	WSC060E3
BAYHTRX312B	208-230/3/60	9.0/12.0	30,800/41,000	2	WSC060E3
BAYHTRX318B	208-230/3/60	13.0/17.4	44,600/59,400	2	WSC060E3
BAYHTRX323B	208-230/3/60	17.3/23.0	59,000/78,500	2	WSC060E3
BAYHTRX406B	460/3/60	6.0	20,500	1	WSC060E4
BAYHTRX412B	460/3/60	12.0	41,000	2	WSC060E4
BAYHTRX418B	460/3/60	18.0	59,400	2	WSC060E4
BAYHTRX423B	460/3/60	23.0	78,500	2	WSC060E4
BAYHTRXW06B	575/3/60	6.0	20,500	1	WSC060EW
BAYHTRXW12B	575/3/60	12.0	41,000	2	WSC060EW
BAYHTRXW18B	575/3/60	18.0	59,400	2	WSC060EW
BAYHTRXW23B	575/3/60	23.0	78,500	2	WSC060EW

Packaged Heat Pump Convertible 6-10 Tons, Electric Heaters and Zone Sensors

Table PH-13-A — Accessory Electric Heaters – Unit with heater is single circuit / single point power entry

Model Number	Power Supply	kW Rating	Nominal BTUH	No. Stages	Used With
BAYHTRW309A	208-230/3/60	6.8/9.0	23,000/30,700	1	WSC072E3
BAYHTRW318A	208-230/3/60	13.5/18.0	46,100/61,400	1	WSC072E3
BAYHTRW327A	208-230/3/60	20.3/27.0	69,000/92,100	2	WSC072E3
BAYHTRW336A	208-230/3/60	27.0/36.0	92,100/122,900	2	WSC072E3
BAYHTRU309A	208-230/3/60	6.8/9.0	23,000/30,700	1	WSC090E3
BAYHTRU318A	208-230/3/60	13.5/18.0	46,100/61,400	1	WSC090E3
BAYHTRU327A	208-230/3/60	20.3/27.0	69,000/92,100	2	WSC090E3
BAYHTRU336A	208-230/3/60	27.0/36.0	92,100/122,900	2	WSC090E3
BAYHTRB318A	208-230/3/60	13.5/18.0	46,100/61,400	1	WSC120E3
BAYHTRB327A	208-230/3/60	20.3/27.0	69,000/92,100	2	WSC120E3
BAYHTRB336A	208-230/3/60	27.0/36.0	92,100/122,900	2	WSC120E3
BAYHTRB354A	208-230/3/60	40.6/54.0	138,000/184,300	2	WSC120E
BAYHTRW409A	460/3/60	9.0	30,700	1	WSC072E4
BAYHTRW418A	460/3/60	18.0	61,400	1	WSC072E4
BAYHTRW427A	460/3/60	27.0	92,100	2	WSC072E4
BAYHTRW436A	460/3/60	36.0	122,900	2	WSC072E4
BAYHTRU409A	460/3/60	9.0	30,700	1	WSC090E4
BAYHTRU418A	460/3/60	18.0	61,400	1	WSC090E4
BAYHTRU427A	460/3/60	27.0	92,100	2	WSC090E4
BAYHTRU436A	460/3/60	36.0	122,900	2	WSC090E4
BAYHTRB418A	460/3/60	18.0	61,400	1	WSC120E4
BAYHTRB427A	460/3/60	27.0	92,100	2	WSC120E4
BAYHTRB436A	460/3/60	36.0	122,900	2	WSC120E4
BAYHTRB454A	460/3/60	54.0	184,300	2	WSC120E4
BAYHTRWW18A	575/3/60	18.0	61,400	1	WSC072EW
BAYHTRWW27A	575/3/60	27.0	92,100	2	WSC072EW
BAYHTRWW36A	575/3/60	36.0	122,900	2	WSC072EW
BAYHTRUW18A	575/3/60	18.0	61,400	1	WSC090EW
BAYHTRUW27A	575/3/60	27.0	92,100	2	WSC090EW
BAYHTRUW36A	575/3/60	36.0	122,900	2	WSC090EW
BAYHTRBW18A	575/3/60	18.0	61,400	1	WSC120EW
BAYHTRBW36A	575/3/60	36.0	122,900	2	WSC120EW
BAYHTRBW54A	575/3/60	54.0	184,300	2	WSC120EW

Table PH-13-B — Zone Sensors for ReliaTel™ Controlled Units

Model Number	Description	Used With
BAYMTP103A	Retrofit Wall Cover Plate Kit 7.25" x 6.0"	ASYSTAT777A
ASYSTAT107A	Single Setpoint Manual Changeover	WSC036-120E
ASYSTAT109A	Dual Setpoint Manual or Auto Changeover	WSC036-120E
ASYSTAT111A	Remote Room Sensor	ASYSTAT777A
ASYSTAT777A	Programmable Night Setback w/System Function Lights (Vertical Style)	WSC036-120E

Packaged Heat Pump Convertible 3-10 Tons Accessories

Table PH-14-A — Accessories

Model Number	Description	Used With
BAYABRD001C ^①	ReliaTel™ Options Module	All WSC036-120E, See Note ^④
BAYBARM010A ^②	Barometric Relief	WSC036-048E
BAYBARM011A ^②	Barometric Relief	WSC060-120E
BAYBCIR001A	Bacnet™ Communication Interface	ReliaTel™ Controller (BCI-R)
BAYCCHT010B	Crankcase Heater	WSC036E1, E3, WSC048E1
BAYCCHT011B	Crankcase Heater	WSC036E4, EW
BAYCCHT017A	Crankcase Heater	WSC060E1
ASYSTAT712B ^③	CO ₂ Sensor Kit, Wall Mounted	All WSC036-120E
ASYSTAT714B ^③	CO ₂ Sensor Kit, Duct Mounted	All WSC036-120E
BAYCURB042A ^⑤	Roof Curb	WSC036-048E
BAYCURB043A ^⑤	Roof Curb	WSC060-090E
BAYCURB044A ^⑤	Roof Curb	WSC120E
BAYDFPS003B ^④	Clogged Filter Switch (w/Standard & MERV 7 Filter)	All WSC036-120E
BAYDFPS014A ^④	Clogged Filter Switch (MERV 13 Filter)	All WSC036-120E
BAYDFPS004A ^④	Fan Failure Switch	All WSC036-120E
BAYDMPR053B ^⑥	0-50% Manual Outside Air Damper	WSC036-048E
BAYDMPR056B ^⑥	0-50% Manual Outside Air Damper	WSC060-120E
BAYDMPR051A	0-50% Motorized Outside Air Damper	WSC036-048E
BAYDMPR054A	0-50% Motorized Outside Air Damper	WSC060-120E
BAYECON085A	0-100% Economizer without Barometric Relief	WSC036-048E
BAYECON087A	0-100% Economizer without Barometric Relief	WSC060-120E
BAYENTH005A ^①	Reference Enthalpy Kit	BAYECON085A, 087A
BAYENTH006A ^①	Comparative Enthalpy Kit	BAYECON085A, 087A
BAYFRST003A ^⑤	High Temperature Stat	All WSC036-120E
BAYGARD037B	Condenser Coil Hail Guard	WSC036-048E
BAYGARD040A	Condenser Coil Hail Guard	WSC060E-072E
BAYGARD041A	Condenser Coil Hail Guard	WSC090E
BAYGARD070A	Condenser Coil Hail Guard	WSC120E

^① Kits contain all necessary parts to achieve desired level of enthalpy control.

^② Barometric Relief accessory installs in ductwork for horizontal configuration. For downflow configuration, installs in the unit's horizontal return duct. See Installer's Guide for complete instructions.

^③ Lynn Haven manufacturing has a no return policy for this roof curb.

^④ BAYABRD001C is required when ordering field installed accessories Clogged Filter Switch (BAYDFPS003A), Fan Fail Switch (BAYDFPS004A), Discharge Air Sensing Kit (BAYTUBE005A or BAYTUBE007A) or Evaporator Defrost Control (Frostat) (BAYLOAM020B) Ventilation Override Kit (BAYVNOR001B) unless the following options are factory installed: Frostat, Smoke Detector, Clogged Filter Switch, Fan Failure Switch, Discharge Air Sensing Kit. These factory installed options include the ReliaTel™ Options Module.

^⑤ Cannot be used in conjunction with factory installed smoke detector.

^⑥ The manual outside air damper will ship factory supplied within the unit, but must be field installed.

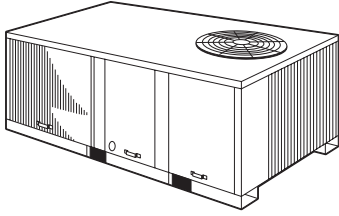
Packaged Heat Pump Convertible 3-10 Tons Accessories

Table PH-15-A — Accessories

Model Number	Description	Used With
BAYHSMT403A.....	2 HP Belt Drive Oversized Motor	WSC072E3, E4
BAYHSMT404A.....	2 HP Belt Drive Oversized Motor	WSC072EW
BAYHSMT400A.....	3 HP Belt Drive Oversized Motor	WSC090E3, E4
BAYHSMT401A.....	3 HP Belt Drive Oversized Motor	WSC090EW
BAYLSDR009A	Low Static Drive.....	WSC090E*
BAYKSKT255B.....	Start Kit.....	WSC036-060E1
BAYPWRX070A	Power Exhaust (208-230/3).....	WSC036-060E3
BAYPWRX071A	Power Exhaust (460/3).....	WSC036-060E4
BAYPWRX072A	Power Exhaust (575/3).....	WSC036-060EW
BAYPWRX026A ^①	Power Exhaust (208-230/3).....	WSC072-120E3
BAYPWRX027A ^①	Power Exhaust (460/3).....	WSC072-120E4
BAYPWRX028A ^①	Power Exhaust (575/3).....	WSC072-120EW
BAYQACB009A ^{②③}	Quick Adapt Roof Curb.....	WSC036-048E
BAYQACB010A ^{②③}	Quick Adapt Roof Curb.....	WSC036-048E
BAYQACB011A ^{②③}	Quick Adapt Roof Curb.....	WSC060-090E
BAYQACB012A ^{②③}	Quick Adapt Roof Curb	WSC060-090E
BAYQACB013A ^{②③}	Quick Adapt Roof Curb	WSC060-090E
BAYQACB111A ^{②③}	Quick Adapt Roof Curb.....	WSC120E
BAYQACB112A ^{②③}	Quick Adapt Roof Curb.....	WSC120E
BAYQACB113A ^{②③}	Quick Adapt Roof Curb.....	WSC120E
BAYRTEM001A ^④	Fully Featured ReliaTel™ Economizer Logic Model.....	WSE036-120E
BAYSENS016A	Duct Temperature Sensor.....	WSC036-120E
BAYSERV001A	Selective Resistance Service Tester	All WSC036-120E
BAYSTAT023	Remote Potentiometer.....	All WSC036-120E
BAYTUBE005A ^{①④}	Discharge Air Sensing Kit.....	WSC036-048E
BAYTUBE007A ^{①④}	Discharge Air Sensing Kit.....	WSC060-090E
BAYTUBE403A ^{①④}	Discharge Air Sensing Kit.....	WSC120E
BAYVNOR001B ^{⑤⑥}	Ventilation Override Kit w/ReliaTel™ options module	All WSC036-120E

- ① Used for true discharge air sensing in both heating and cooling. Required for supply air tempering.
- ② Lynn Haven manufacturing has a no return policy for this roof curb.
- ③ BAYQACB009A adapts WCD models BAYCURB021A roof curb to accept WSC036-048 units. BAYQACB010A adapts WCD models BAYCURB022A roof curb to accept WSC036-048 units. BAYQACB111A adapts WCD models BAYCURB022 roof curb to accept WSC120E. BAYQACB112A adapts WCD models BAYCURB025 roof curb to accept WSC120E. BAYQACB113A adapts WCD models BAYCURB026 roof curb to accept WSC120E.
- ④ BAYABRD001C is required when ordering field installed accessories Clogged Filter Switch (BAYDFPS003A), Fan Fail Switch (BAYDFPS004A), Discharge Air Sensing Kit (BAYTUBE005A or BAYTUBE007A) or Evaporator Defrost Control (Frostat) (BAYLOAM020B) Ventilation Override Kit (BAYVNOR001B) unless the following options are factory installed: Frostat, Smoke Detector, Clogged Filter Switch, Fan Failure Switch, Discharge Air Sensing Kit. These factory installed options include the ReliaTel™ Options Module.
- ⑤ Power Exhaust cannot be used with Barometric Relief. Order Economizer without Barometric Relief.
- ⑥ BAYQACB012A adapts WCD models BAYCURB025 roof curb to accept WSC072-120 units. BAYQACB011A adapts WCD models BAYCURB022B roof curb to accept WSC072-120 units.
- ⑦ BAYQACB013A adapts WCD models BAYCURB026 roof curb to accept WSC060-090E.
- Field installed accessory. Requires an economizer.
- ⑧ If any version of comparative or reference enthalpy is ordered, BAYRTEM001A does not need to be ordered.

Packaged Heat Pump with ReliaTel™ Controls 12½-20 Tons



12½ – 20 Ton WCD—Downflow
12½ – 20 Ton WCH—Horizontal

- EER up to 10.6
- ReliaTel™ processor control features are listed on page PC-15
- Built-in anti-short cycle, time-delay relay and minimum on time controls
- 2" filters for 12½ - 20 ton units
- Liquid line drier
- Built-in fork lift holes
- Operating charge of R-410A
- Quick-Session service panels slide in and out
- Scroll compressors
- Dedicated horizontal and downflow designs
- Single-side access
- Single point power for electric heat
- Complete line of optional electric heaters
- Internally enhanced coil tubing
- Low ambient to 0°F standard
- Colored and numbered wiring
- Common cabinet and accessories as TCD/TCH and YCD/YCH models
- Quick-adjust idler arm pulley
- **5-year limited compressor warranty (12½ – 15 tons)**
- **1-year limited parts warranty (20 tons)**
- **1-year limited compressor warranty (20 tons)**

Table PH-16-A — WCD Downflow — WCH Horizontal — ReliaTel™ Unit (R-410A)

Tons	Unit Model No.	Power Supply Volts/Phase/Hz	Performance EER (10)	Cooling Capacity (Btuh)	Dimensions (in.) H x W x L	Shipping Weight (lbs.)	MCA ⁵	Max Fuse Size or ⁴ Max Circuit Breaker	Downflow Roofcurb
12½	WC*150E300A	208-230/3/60	10.6	148,000	54 x 85 ⁵ / ₁₆ x 122 ⁵ / ₁₆	2340	68	80	BAYCURB027B
15	WC*180E300A	208-230/3/60	10.6	177,000	54 x 85 ⁵ / ₁₆ x 122 ⁵ / ₁₆	2435	74	90	BAYCURB027B
20	WC*240E300A	208-230/3/60	9.7	249,000	64 ¹ / ₈ x 85 ⁵ / ₁₆ x 122 ⁵ / ₁₆	2566	116	150	BAYCURB027B
12½	WC*150E400A	460/3/60	10.6	148,000	54 x 85 ⁵ / ₁₆ x 122 ⁵ / ₁₆	2340	32	40	BAYCURB027B
15	WC*180E400A	460/3/60	10.6	177,000	54 x 85 ⁵ / ₁₆ x 122 ⁵ / ₁₆	2435	36	45	BAYCURB027B
20	WC*240E400A	460/3/60	9.7	249,000	64 ¹ / ₈ x 85 ⁵ / ₁₆ x 122 ⁵ / ₁₆	2566	53	60	BAYCURB027B
12½	WC*150EW00A	575/3/60	10.6	148,000	54 x 85 ⁵ / ₁₆ x 122 ⁵ / ₁₆	2340	25	30	BAYCURB027B
15	WC*180EW00A	575/3/60	10.6	177,000	54 x 85 ⁵ / ₁₆ x 122 ⁵ / ₁₆	2435	30	35	BAYCURB027B
20	WC*240EW00A	575/3/60	9.7	249,000	64 ¹ / ₈ x 85 ⁵ / ₁₆ x 122 ⁵ / ₁₆	2566	45	60	BAYCURB027B

Tons	Supply Downflow W x L ¹ ②	Return Downflow W x L ¹ ②	Supply Horizontal H x W ¹ ②	Return Horizontal H x W ¹ ②	Curb Size H x W x L ² ③	Roof Opening W x L ¹ ②
20	28 ⁹ / ₁₆ x 69 ¹ / ₂	22 ¹ / ₄ x 77	46 ⁷ / ₁₆ x 26 ¹ / ₂	46 ⁷ / ₁₆ x 27 ⁹ / ₁₆	14 ¹ / ₁₆ x 81 x 117 ³ / ₁₆	76 ¹ / ₂ x 81

① Dimensions are in inches. See Outline Dimensions.

② Interior Dimension.

③ Measurement Includes Curb Flange.

④ HACR type circuit breaker per NEC.

⑤ Information subject to change. Please confirm with current Product Data/Service Facts for current factory production.

* Digit 3 - H = Horizontal or D = Downflow.

Packaged Heat Pump with ReliaTel™ Controls 12½-20 Tons FLOPS and Zone Sensors

Table PH-17-A — Factory Installed Accessories①

For Complete list of all Factory Installed Options, please refer to the FLOPS section of this book.

Digit	Description	Order Number	Used With
1-8	Main Assembly (see previous page)		
9-10	Factory Installed Options		
	No Options	00	WC*150-240
	Downflow Economizer	0A	WCD150-240
	Oversized Motor	0B	WC*150-240
	Downflow Economizer and Oversized Motor	0C	WCD150-240
11-12	Minor Design and Service Sequence	**	

① Price includes accessory and factory installation.

② Four (4) week shipping approximately.

③ Some field set up required.

Table PH-17-B — Zone Sensors

Model Number	Description	Used With
ASYSTAT107A	Single Setpoint Manual Changeover	WC*150-240
ASYSTAT109A	Dual Setpoint Manual or Automatic Changeover	WC*150-240
ASYSTAT111A	Remote Room Sensor	ASYSTAT777A
ASYSTAT777A	Programmable Night Setback	WC*150-240
BAYMTPL103A	Retrofit Wall Cover Plate Kit 7.25" x 6.0"	ASYSTAT777A

Packaged Heat Pump with ReliaTel™ Controls 12½-20 Tons Accessories

Table PH-18-A — Field Installed Accessories — For complete list of of All Factory Installed Options refer to FIOPS section of this book.

Model Number	Description	Used With
BAYABRD002B [ⓐ]	ReliaTel™ Options Module	WC*150E, WC*240E
BAYBCIR001A	Bacnet™ Communication Interface	ReliaTel™ Controller (BCI-R)
ASYSTAT713B [ⓑ]	CO ₂ Sensor Wall Mounted	WC*150E, WC*240E w/Economizer
ASYSTAT715B [ⓑ]	CO ₂ Sensor Duct Mounted	WC*150E, WC*240E w/Economizer
BAYCURB027B ^{ⓐⓑ}	Downflow Only Roof Curb	WCD150E-WCD240E
BAYDFPS005A ^{ⓐⓑ}	Clogged Filter Switch (MERV 7)	WC*150E-WC*240E
BAYDFPS006A ^{ⓐⓑ}	Fan Failure Switch	WC*150E-WC*240E
BAYDFPS013A	Clogged Filter Switch (MERV 13)	WC*150E-WC*240E
BAYDMPR029C	0-25% Manual Outside Air Damper	All Packaged Rooftops 12½-20 Tons
BAYDMPR058A	0-50% Motorized Outside Air Damper	WC*150E-WC*240E
BAYECON090A [ⓐ]	Downflow Economizer with Barometric Relief	WCD150E-WCD240E
BAYECON092A	Horizontal Economizer	WCH150E-WCH240E
BAYENTH007A	Reference Enthalpy Kit	All BAYECON089-92A
BAYENTH008A	Comparative Enthalpy Kit	All BAYECON089-92A
BAYFRST003A	High Temperature Stat	WC*150E-WC*240E
BAYGARD045A [ⓐ]	Tool-less Hail Guard	WC*150E, WC*180E
BAYGARD050A [ⓐ]	Tool-less Hail Guard	WC*240E
BAYHSDR005B [ⓐ]	High Static Drive	WC*150E, WC*180E, WC*240E
BAYHSMT055B	5HP OVERSIZED MOTOR KIT (208-230/460)	WC*150E, WC*180E
BAYHSMT072A	5HP OVERSIZED MOTOR KIT (575)	WC*150E, WC*180E
BAYHSMT100A	7.5HP OVERSIZED MOTOR KIT (208-230)	WC*240E
BAYHSMT101A	7.5HP OVERSIZED MOTOR KIT (460)	WC*240E
BAYHSMT102A	7.5HP OVERSIZED MOTOR KIT (575)	WC*240E
BAYLOAM023A ^{ⓐⓑ}	Evaporator Defrost Control (Frostat)	WC*150E, WC*180E
BAYLOAM031A	Evaporator Defrost Control	WC*240E
BAYLSDR004A	Low Static Drive	WC*240E
BAYLSDR011A	Low Static Drive	WC*150E, WC*180E
BAYPWRX029A	Power Exhaust for all 12½-20 Ton 230V units	Downflow Only
BAYPWRX030A	Power Exhaust for all 12½-20 Ton 460V units	Downflow Only
BAYPWRX031A	Power Exhaust for all 12½-20 Ton 575V units	Downflow Only
BAYQACB044A	Adapter Curb	BAYCURB026A/B to BAYCURB027A/B
BAYSERV001A	Selective Resistance Service Tester	All 12½-20 Tons
BAYSTAT023	Remote Potentiometer	All BAYECON089-92A
BAYTUBE008A ^{ⓐⓑⓓ}	Discharge Air Sensing Kit	WCD150E-WCD240E
BAYTUBE009A ^{ⓐⓑⓓ}	Discharge Air Sensing Kit	WCH150E-WCH240E
BAYVNOR002B [ⓐ]	Ventilation Override Kit	WCH150-240 w/ReliaTel™ Options Module

[ⓐ] High static drive and oversized motors are mutually exclusive, Do not Combine.

[ⓑ] Used for true discharge air sensing in both heating and cooling models.

[ⓓ] Clarksville Manufacturing has a no-return policy for this roof curb.

[ⓔ] For downflow use only. Can not be adapted for horizontal units.

[ⓕ] BAYABRD002B is required when ordering field installed accessories BAYDFPS005A or 006A, BAYTUBE008A or 009A and BAYLOAM023A, BAYLOAM031A or BAYVNOR002B.

[ⓖ] Field or factory installed option.

[ⓗ] Field installed accessory. Requires an economizer.

* Information subject to change. Please confirm with current Product Data/Service Facts for current factory production.

Packaged Heat Pump with ReliaTel™ Controls 12½-20 Tons Heaters

Table PH-19-A — Downflow Supplementary Heaters:

Model Number	Power Supply	kW Rating	BTUH	Nominal Stages	No. Used With
AYDHTRK318A	208-230/3/60	13.5/18.0	46,100/61,400	1	WCD150E-WCD180E
AYDHTRK336A	208-230/3/60	27.0/36.0	92,200/122,900	2	WCD150E-WCD180E
AYDHTRK354A	208-230/3/60	40.5/54.0	138,200/184,300	2	WCD150E-WCD180E
AYDHTRK418A	460/3/60	18.0	61,400	1	WCD150E-WCD180E
AYDHTRK436A	460/3/60	36.0	122,900	2	WCD150E-WCD180E
AYDHTRK454A	460/3/60	54.0	184,300	2	WCD150E-WCD180E
AYDHTRL336A	208-230/3/60	27.0/36.0	92,200/122,900	2	WCD240E
AYDHTRL354A	208-230/3/60	40.5/54.0	138,200/184,300	2	WCD240E
AYDHTRK372A	208-230/3/60	54.0/72.0	184,300/245,700	2	WCD240E
AYDHTRL436A	460/3/60	36.0	122,900	2	WCD240E
AYDHTRL454A	460/3/60	54.0	184,300	2	WCD240E
AYDHTRK472A	460/3/60	72.0	245,700	2	WCD240E
AYDHTRKW18A	575/3/60	18.0	61,400	1	WCD150E-WCD180E
AYDHTRKW36A	575/3/60	36.0	122,900	2	WCD150E-WCD180E
AYDHTRKW54A	575/3/60	54.0	184,300	2	WCD150E-WCD180E
AYDHTRLW36A	575/3/60	36.0	122,900	2	WCD240E
AYDHTRLW54A	575/3/60	54.0	184,300	2	WCD240E
AYDHTRKW72A	575/3/60	72.0	245,700	2	WCD240E

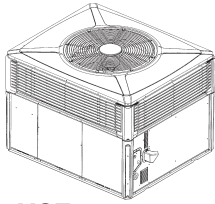
Table PH-19-B — Horizontal Supplementary Heaters:

AYHHTRM318A	208-230/3/60	13.5/18.0	46,100/61,400	1	WCH150E-WCH180E
AYHHTRM336A	208-230/3/60	27.0/36.0	92,200/122,900	2	WCH150E-WCH180E
AYHHTRM354A	208-230/3/60	40.5/54.0	138,200/184,300	2	WCH150E-WCH180E
AYHHTRM418A	460/3/60	18.0	61,400	1	WCH150E-WCH180E
AYHHTRP436A	460/3/60	36.0	122,900	2	WCH150E-WCH180E
AYHHTRM454A	460/3/60	54.0	184,300	2	WCH150E-WCH180E
AYHHTRN336A	208-230/3/60	27.0/36.0	92,200/122,900	2	WCH240E
AYHHTRN354A	208-230/3/60	40.5/54.0	138,200/184,300	2	WCH240E
AYHHTRN372A	208-230/3/60	54.0/72.0	184,300/245,700	2	WCH240E
AYHHTRN436A	460/3/60	36.0	122,900	2	WCH240E
AYHHTRN454A	460/3/60	54.0	184,300	2	WCH240E
AYHHTRN472A	460/3/60	72.0	245,700	2	WCH240E
AYHHTRMW18A	575/3/60	18.0	61,400	1	WCH150E-WCH180E
AYHHTRMW36A	575/3/60	36.0	122,900	2	WCH150E-WCH180E
AYHHTRMW54A	575/3/60	54.0	184,300	2	WCH150E-WCH180E
AYHHTRNW36A	575/3/60	36.0	122,900	2	WCH240E
AYHHTRNW54A	575/3/60	54.0	184,300	2	WCH240E
AYHHTRNW72A	575/3/60	72.0	245,700	2	WCH240E

Note: Unit with heater is single circuit/single point.

See ReliaTel™ and Micro Control features on PC-15 and PC-16.

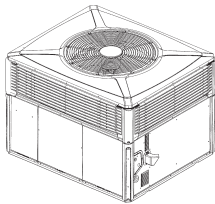
Packaged Gas/Electric Convertible 2-5 Tons



4YCZ6

Table PG-1-A — 4YCZ6 - Triumph® 16 - Convertible Packaged Gas/Electric - R-410A

Model Number	Cooling Capacity (BTUH)	Heating Capacity Output (1 Stg./2 Stg.)	SEER	EER High/Low	AFUE(%)	Shipping Weight	MCA	Max Fuse	Sound Rating	Cabinet Dim. (in.) H x D x W
4YCZ6 – 208-230/1/60										
4YCZ6036A1075B	35,600	45,000/60,000	16.60	12.00/13.60	79.5	488	26.0	40	70	38 x 43 x 51
4YCZ6036A1096B	35,600	57,600/77,000	16.60	12.00/13.60	80.0	488	26.0	40	70	38 x 43 x 51
4YCZ6048A1096B	48,000	57,600/77,000	16.00	12.00/13.48	80.0	659	34.1	50	71	42 x 46 x 61
4YCZ6048A1120B	48,000	72,000/96,000	16.00	12.00/13.48	80.0	665	34.1	50	71	42 x 46 x 61
4YCZ6060A1120B	57,500	72,000/96,000	15.10	11.40/12.64	80.0	676	37.1	60	73	42 x 46 x 61
4YCZ6 – 208-230/3/60										
4YCZ6036A3075B	35,600	45,000/60,000	16.60	12.00/13.60	80.0	488	19.1	30	70	36 x 43 x 51
4YCZ6036A3096B	35,600	57,600/77,000	16.60	12.00/13.60	80.0	493	19.1	30	70	36 x 43 x 51
4YCZ6048A3096B	48,000	57,600/77,000	16.00	12.00/13.48	80.0	659	24.5	35	71	42 x 46 x 61
4YCZ6048A3120B	48,000	72,000/96,000	16.00	12.00/13.48	80.0	665	24.5	35	71	42 x 46 x 61
4YCZ6060A3120B	57,500	72,000/96,000	15.10	11.40/12.65	80.0	676	30.3	45	73	42 x 46 x 61
4YCZ6 – 460/3/60										
4YCZ6036A4075B	35,600	45,000/60,000	16.60	12.00/13.60	79.0	488	10.4	15	70	36 x 43 x 51
4YCZ6036A4096B	35,600	57,600/77,000	16.60	12.00/13.60	80.0	493	10.4	15	70	36 x 43 x 51
4YCZ6048A4096B	48,000	57,600/77,000	16.00	12.00/13.48	80.0	659	15.3	20	71	42 x 46 x 61
4YCZ6048A4120B	48,000	72,000/96,000	16.00	12.00/13.48	80.0	665	15.3	20	71	42 x 46 x 61
4YCZ6060A4120B	57,500	72,000/96,000	15.10	11.40/12.65	80.0	676	19.2	25	73	42 x 46 x 61



4YCY4

Table PG-1-B — 4YCY4 - Triumph® 14 - Convertible Packaged Gas/Electric - R-410A

Model Number	Cooling Capacity (BTUH)	Heating Capacity Output (1 Stg./2 Stg.)	SEER/EER	AFUE(%)	Shipping Weight	MCA	Max Fuse	Sound Rating	Cabinet Dimensions (in.) H x D x W
4YCY4 – 208-230/1/60									
4YCY4024A1064A	23,400	38,400/51,000	14.00/12.00	79.0	481	16.5	25	68	36 x 43 x 51
4YCY4030A1075A	30,000	45,000/60,000	14.00/12.00	79.5	481	19.2	30	71	36 x 43 x 51
4YCY4036B1075A	38,000	45,000/60,000	14.20/12.00	79.5	488	24.6	40	69	36 x 43 x 51
4YCY4036B1096A	38,000	57,600/77,000	14.20/12.00	80.0	488	24.6	40	69	36 x 43 x 51
4YCY4042B1096B	42,000	57,600/77,000	14.25/12.00	80.0	653	31.5	50	74	38 x 46 x 61
4YCY4048B1096A	48,500	57,600/77,000	14.20/12.00	80.0	669	35.4	50	73	38 x 46 x 61
4YCY4048B1120A	48,500	72,000/96,000	14.20/12.00	80.0	675	35.4	50	73	38 x 46 x 61
4YCY4060A1120A	58,500	72,000/96,000	14.00/12.00	80.0	676	43.3	60	76	42 x 46 x 61
4YCY4 – 208-230/3/60									
4YCY4036A3075A	36,000	45,000/60,000	14.20/11.60	80.0	488	19.8	30	69	36 x 43 x 51
4YCY4036A3096A	36,000	57,600/77,000	14.20/11.60	80.0	493	19.8	30	69	36 x 43 x 51
4YCY4048A3096A	48,000	57,600/77,000	14.20/11.90	80.0	653	26.4	40	73	38 x 46 x 61
4YCY4048A3120A	48,000	72,000/96,000	14.20/11.90	80.0	659	26.4	40	73	38 x 46 x 61
4YCY4060A3120A	58,500	72,000/96,000	14.00/12.00	80.0	676	30.6	45	76	42 x 46 x 61

For dimensional/outline drawings, please refer to Product Data.

For information on Roof Curbs, please refer to the Accessories/Information Tab.

Packaged Gas/Electric Convertible 2-5 Tons

Table PG-2-A — Features

	4YCZ6 3-5	4CY4 2-5
• SEER up to.....	16.60	14.25
• Exclusive Duration™ high efficiency compressor with internal overload protection.....	✓	✓
• Factory supplied charge.....	R-410A	R-410A
• Composite Vortica® indoor blower.....	✓	✓
• High efficiency ECM indoor blower motor with Comfort-R™ airflow system.....	✓	✓
• All aluminum Spine Fin™ outdoor coil.....	✓	✓
• Swept-blade outdoor fan for quiet operation.....	✓	✓
• Architecturally integrated louvers and corner guards.....	✓	✓
• Cabinet constructed of heavy gauge, galvanized steel and painted with a weather-resistant powder paint.....	✓	✓
• Stainless steel heat exchanger and burners.....	✓	✓
• Single stage cool.....	—	✓
• 2-stage cooling.....	✓	—
• 2-stage gas.....	✓	✓
• Start kit - factory installed (single phase only).....	—	2 & 2½
• High pressure cutout.....	✓	✓
• Low pressure cutout.....	3-Phase Only	3-Phase Only
• Liquid line drier - factory installed.....	✓	✓
• Non-bleed expansion valves on indoor coil.....	✓	✓
• Pressure taps, including liquid line taps, easily accessed and protected inside compressor compartment.	✓	✓
• Right side electrical service access for high and low voltage connections.....	✓	✓
• Rugged steel basepan features deep drawn duct connections.....	✓	✓
• Steeply sloped composite drainpan.....	✓	✓
• Ships in horizontal configuration and converts quickly for downflow.....	✓	✓
• Copper tube, aluminum fin indoor coil.....	✓	✓
• All models are certified to ANSI 221.47/CSA 2.3.....	✓	✓
• 20-year heat exchanger, 12-year compressor, 10-year outdoor coil, and 10-year all other functional parts registered limited warranty (Residential Use)Ⓢ	✓	—
• 20-year heat exchanger, 10-year compressor, 10-year outdoor coil, and 5-year all other functional parts registered limited warranty (Residential Use)Ⓢ	—	✓
• Extended warranties available	✓	✓

Ⓢ Registered Limited Warranty terms are available when you register within 60 days of installation. You can register online at americanstandardair.com or by phone at 800-554-8005; otherwise American Standard Heating & Air Conditioning's Base Limited Warranty terms will apply. Base Limited Warranty information on specific products can be found on ASDealerNet.com.

**For dimensional/outline drawings, please refer to Product Data.
For information on Roof Curbs, please refer to the Accessories/Information Tab.**

Packaged Gas/Electric Convertible 2-5 Tons

Table PG-3-A — Accessories

Model Number	Description	Shipping Weight	4YCZ6 3-5	4YCY4 2-5
BAYACCDOR1A	Hinged Filter Access Door ^②		3	2-3
BAYACCDOR2A	Hinged Filter Access Door ^②		3½-5	3½-5
BAYADAP050A	Adapter Curb (Cabinet A/B)		3	2-3
BAYADAP051A	Adapter Curb (Cabinet C)		3	2-3
BAYADAP052A	Adapter Curb (Cabinet A/B)		4-5	3½-5
BAYADAP053A	Adapter Curb (Cabinet C)		4-5	3½-5
BAYADAP054A	Adapter Curb (Cabinet D)		4-5	3½-55
BAYASCT001	Anti-Short Cycle Timer ^④		✓	✓
BAYCCHT101A	Crankcase Heater (230v) (Reciprocation)		—	2
BAYCCHT102A	Crankcase Heater (230v) (Scroll)		3,4,5	3,4,5
BAYCCHT404B	Crankcase Heater (460v) (Scroll)		3,4,5	3,4,5
BAYCOVR112A	12" Duct Shroud (Covers Horizontal Ducts) ^⑥		3-5	2-5
BAYCOVR118A	18" Duct Shroud (Covers Horizontal Ducts) ^⑥		3-5	2-5
BAYCURB050A	Flat Roof Full Perimeter Curb (Insulated)	74	3	2-3
BAYCURB051A	Flat Roof Full Perimeter Curb (Insulated)	74	4-5	3½-5
BAYDMPR101A	Motorized Fresh Air Damper ^{①⑦⑧⑨⑩}		3	2-3
BAYDMPR102A	Motorized Fresh Air Damper ^{①⑦⑧⑨⑩}		4-5	3½-5
BAYECON101A	Economizer with Barometric Relief (Downflow) ^{①②③④⑤⑥⑦⑧⑨⑩}	50	—	2-3
BAYECON102A	Economizer with Barometric Relief (Downflow) ^{①②③④⑤⑥⑦⑧⑨⑩}	65	—	3½-5
BAYECON103A	Economizer with Barometric Relief (Downflow) ^{①②③④⑤⑥⑦⑧⑨⑩}		3	—
BAYECON104A	Economizer with Barometric Relief (Downflow) ^{①②③④⑤⑥⑦⑧⑨⑩}		4-5	—
BAYECON200A	Economizer (Horizontal) ^{①②③⑦}	85	—	2-3
BAYECON201A	Economizer (Horizontal) ^{①②③⑦}	85	—	3½-5
BAYECON203A	Economizer (Horizontal) ^{①②③⑦}		3	—
BAYECON204A	Economizer (Horizontal) ^{①②③⑦}		4-5	—
BAYECONCOMB101B	BAYECON101A, door, and filter kit		—	2-3
BAYECONCOMB102B	BAYECON102A, door, and filter kit		—	3½-5
BAYECONCOMB103B	BAYECON103A, door, and filter kit		3	—
BAYECONCOMB104B	BAYECON104A, door, and filter kit		4-5	—
BAYENTH001A	Enthalpy Control Kit ^②	2	✓	✓
BAYEXMK001A	Extreme Conditions Mounting Kit (Used on BAYCURB & BAYADAP)		✓	✓
BAYEXMK002B	Extreme Conditions Mounting Kit (Used on BAYUTIL)		✓	✓
BAYEXMK003A	Extreme Conditions Mounting Kit (Used on Slab Mounts)		✓	✓
BAYFLTR101C	1-2" Filter Frame ^① -Requires one 20x25 filter (not included)	6	3	2-3
BAYFLTR201C	1-2" Filter Frame ^① -Requires one 20x20, and one 20x18 filters (not included)	6	4-5	3½-5
BAYLIFT002B	Lifting Lug Kit	5	✓	✓
BAYLOAM105A	Low Ambient Control Kit	5	✓	✓
BAYLPKT100A	LP Conversion Kit		40K,120K	40K,120K
BAYLPKT101A	LP Conversion Kit		64K,96K	64K, 96K
BAYLPKT102A	LP Conversion Kit		75K	75K
BAYOSAC001B	Outside Air Control for V.S. Economizer ^⑧		3,4,5	—
BAYOSAH001A	Manual Fresh Air Damper ^①	6	3	2-3
BAYOSAH002A	Manual Fresh Air Damper ^①	8	4-5	3½-5
BAYQSTK301A	Start Kit		—	✓
BAYSQRD001A	16" Round Duct Adapter ^⑤	5	3	2-3
BAYSQRD002A	18" Round Duct Adapter ^⑤	3	4-5	2-5
BAYUTIL101B	Roof Curb Utility Extension Kit		3	2-3
BAYUTIL102B	Roof Curb Utility Extension Kit		4-5	3½-5
BAYUV101A	21" Retrofit UVC Lamp Kit	5	1½-3	1½-3
BAYUV102A	33" Retrofit UVC Lamp Kit	5	3½-5	3½-5

- ① Must use filter frame when economizer/fresh air kit is used.
- ② Dry bulb control standard with economizer.
- ③ 2-Stage cooling control required when using economizer.
- ④ Do not use with electronic thermostats.
- ⑤ It is the responsibility of the installing dealer to properly size the ductwork for each specific application.
- ⑥ BAYCOVR112,118A will not cover BAYSQRD002A applications.
- ⑦ Does not contain barometric relief.
- ⑧ Max fresh air - 25%.
- ⑨ For non-continuous fan gas-heating applications, the damper opens only when the OD ambient is above 50° F.
- ⑩ It is the designer/engineer's responsibility to review product specifications prior to equipment selection to insure optimal performance and compliance to codes.
- ⑪ Temperature of mixed air entering the heat exchanger is monitored and fresh air intake may be reduced under certain conditions.
- ⑫ BAYACCDOR1A requires BAYFLTR101B & BAYACCDOR2A requires BAYFLTR201B. They are not backward compatible to BAYFLTR101/201A.
- ⑬ BAYOSAC001B is not compatible with BAYACCDOR1A or BAYACCDOR2A

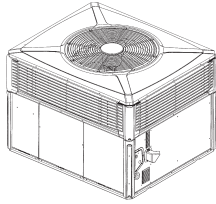
EXISTING CURB	NEW UNIT 2/4TC/WC/YC****A	USE BAYADAP0**A
BAYCURB030,38A	018-036	50
BAYCURB030,38A	042-060	52
BAYCURB033A	018-036	51
BAYCURB033A	042-060	53
BAYCURB034A	042-060	54

For dimensional/outline drawings, please refer to Product Data.

For information on Roof Curbs, please refer to the Accessories/Information Tab.

For complete equipment / combination selections, installation instructions and warranty information, please refer to Product Data/Ratings and/or Installers Guides and Limited Warranty Handbooks.

Packaged Gas/Electric Convertible 1½-5 Tons



4YCX3

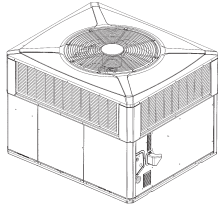
Table PG-4-A — 4YCX3 - Triumph® 13 - Convertible Packaged Gas/Electric - R-410A

Model Number	Cooling Capacity (BTUH)	Heating Capacity Input/Output	SEER/EER	AFUE(%)	Shipping Weight	MCA	Max Fuse	Sound Rating	Cabinet Dimensions (in.) H x D x W
4YCX3 – 208-230/1/60									
4YCX3018A1040A	18,000	40,000/31,000	13.00/11.00	79.8	471	10.1	15	69	36 x 43 x 51
4YCX3024B1064A	24,000	64,000/51,000	13.00/11.00	79.0	499	13.6	20	70	36 x 43 x 51
4YCX3030A1075A	28,600	75,000/60,000	13.00/11.00	79.5	481	19.2	30	71	36 x 43 x 51
4YCX3036A1064A	36,000	64,000/51,000	13.00/11.00	80.0	488	23.6	35	71	36 x 43 x 51
4YCX3036A1075A	36,000	75,000/60,000	13.00/11.00	80.0	488	23.6	35	71	36 x 43 x 51
4YCX3036A1096A	36,000	96,000/76,000	13.00/11.00	80.0	493	23.6	35	71	36 x 43 x 51
4YCX3042A1096A	41,500	96,000/77,000	13.00/11.00	80.0	653	31.5	50	74	38 x 46 x 61
4YCX3048A1075A	46,500	75,000/61,000	13.00/11.00	80.0	645	31.5	50	73	38 x 46 x 61
4YCX3048A1096A	46,500	96,000/77,000	13.00/11.00	80.0	653	31.5	50	73	38 x 46 x 61
4YCX3048A1120A	46,500	120,000/95,000	13.00/11.00	80.0	659	31.5	50	73	38 x 46 x 61
4YCX3060A1096A	60,000	96,000/77,000	13.00/10.95	80.0	678	43.3	60	75	40 x 46 x 61
4YCX3060A1120A	60,000	120,000/95,000	13.00/10.95	80.0	684	43.5	60	75	40 x 46 x 61
4YCX3 – 208-230/3/60									
4YCX3036A3064A	36,000	64,000/51,000	13.00/11.00	80.0	493	18.5	30	71	36 x 43 x 51
4YCX3036A3075A	36,000	75,000/60,000	13.00/11.00	80.0	488	18.5	30	71	36 x 43 x 51
4YCX3036A3096A	36,000	96,000/76,000	13.00/11.00	80.0	493	18.5	30	71	36 x 43 x 51
4YCX3048A3075A	46,500	75,000/61,000	13.00/11.00	80.0	645	24.0	35	73	38 x 46 x 61
4YCX3048A3096A	46,500	96,000/77,000	13.00/11.00	80.0	653	24.0	35	73	38 x 46 x 61
4YCX3048A3120A	46,500	120,000/95,000	13.00/11.00	80.0	659	24.0	35	73	38 x 46 x 61
4YCX3060A3096A	60,000	96,000/77,000	13.00/10.95	80.0	678	31.7	50	75	40 x 46 x 61
4YCX3060A3120A	60,000	120,000/95,000	13.00/10.95	80.0	684	31.5	50	75	40 x 46 x 61
4YCX3 – 460/3/60									
4YCX3036A4064A	36,000	64,000/51,000	13.00/11.00	80.0	448	8.7	15	71	36 x 43 x 51
4YCX3036A4075A	36,000	75,000/60,000	13.00/11.00	80.0	448	8.7	15	71	36 x 43 x 51
4YCX3036A4096A	36,000	96,000/76,000	13.00/11.00	80.0	493	8.7	15	71	36 x 43 x 51
4YCX3048A4075A	46,500	75,000/61,000	13.00/11.00	80.0	645	11.7	15	73	38 x 46 x 61
4YCX3048A4096A	46,500	96,000/77,000	13.00/11.00	80.0	653	11.7	15	73	38 x 46 x 61
4YCX3048A4120A	46,500	120,000/95,000	13.00/11.00	80.0	659	11.7	15	73	38 x 46 x 61
4YCX3060A4096A	60,000	96,000/77,000	13.00/10.95	80.0	678	19.5	25	75	40 x 46 x 61
4YCX3060A4120A	60,000	120,000/95,000	13.00/10.95	80.0	684	19.5	25	75	40 x 46 x 61

For dimensional/outline drawings, please refer to Product Data.

For information on Roof Curbs, please refer to the Accessories/Information Tab.

Packaged Gas/Electric Convertible 1½-5 Tons



4YCC3

Table PG-5-A — American Standard 13 - Convertible Packaged Gas/Electric - R-410A

Model Number	Cooling Capacity (BTUH)	Heating Capacity Input/Output	SEER/EER	AFUE(%)	Shipping Weight	MCA	Max Fuse	Sound Rating	Cabinet Dimensions (in.) H x D x W
4YCC3 – 208-230/1/60									
4YCC3018A1040A	18,000	40,000/31,000	13.00/11.00	79.8	471	10.1	15	74	36 x 43 x 51
4YCC3024B1064A	23,000	64,000/51,000	13.00/11.00	79.0	385	13.6	20	76	36 x 43 x 51
4YCC3030B1075A	28,000	75,000/60,000	13.00/11.00	79.5	481	19.2	30	71	36 x 43 x 51
4YCC3036A1064A	35,000	64,000/51,000	13.00/11.00	80.0	488	23.6	35	75	36 x 43 x 51
4YCC3036A1075A	35,000	75,000/60,000	13.00/11.00	80.0	488	23.6	35	75	36 x 43 x 51
4YCC3036A1096A	35,000	96,000/76,000	13.00/11.00	80.0	493	23.6	35	75	36 x 43 x 51
4YCC3042B1096A	40,000	96,000/77,000	13.00/11.00	80.0	653	31.5	50	74	38 x 46 x 61
4YCC3048A1075A	46,500	75,000/61,000	13.00/11.00	80.0	645	31.5	50	80	38 x 46 x 61
4YCC3048A1096A	46,500	96,000/77,000	13.00/11.00	80.0	653	31.5	50	80	38 x 46 x 61
4YCC3048A1120A	46,500	120,000/95,000	13.00/11.00	80.0	659	31.5	50	80	38 x 46 x 61
4YCC3060A1096A	58,000	96,000/77,000	13.00/10.95	80.0	678	43.5	60	79	40 x 46 x 61
4YCC3060A1120A	58,000	120,000/95,000	13.00/10.95	80.0	684	43.5	60	79	40 x 46 x 61
4YCC3 – 208-230/3/60									
4YCC3036A3064A	35,000	64,000/51,000	13.00/11.00	80.0	488	18.5	30	75	36 x 43 x 51
4YCC3036A3075A	35,000	75,000/60,000	13.00/11.00	80.0	488	18.5	30	75	36 x 43 x 51
4YCC3036A3096A	35,000	96,000/76,000	13.00/11.00	80.0	493	18.5	30	75	36 x 43 x 51
4YCC3048A3075A	46,500	75,000/61,000	13.00/11.00	80.0	645	24.0	35	80	38 x 46 x 61
4YCC3048A3096A	46,500	96,000/77,000	13.00/11.00	80.0	653	24.0	35	80	38 x 46 x 61
4YCC3048A3120A	46,500	120,000/95,000	13.00/11.00	80.0	659	24.0	35	80	38 x 46 x 61
4YCC3060A3096A	58,000	96,000/77,000	13.00/10.95	80.0	678	31.5	50	79	40 x 46 x 61
4YCC3060A3120A	58,000	120,000/95,000	13.00/10.95	80.0	684	31.5	50	79	40 x 46 x 61
4YCC3 – 460/3/60									
4YCC3036A4064A	35,000	64,000/51,000	13.00/11.00	80.0	488	8.7	15	75	36 x 43 x 51
4YCC3036A4075A	35,000	75,000/60,000	13.00/11.00	80.0	488	8.7	15	75	36 x 43 x 51
4YCC3036A4096A	35,000	96,000/76,000	13.00/11.00	80.0	493	8.7	15	75	36 x 43 x 51
4YCC3048A4075A	46,500	75,000/61,000	13.00/11.00	80.0	645	11.7	15	80	38 x 46 x 61
4YCC3048A4096A	46,500	96,000/77,000	13.00/11.00	80.0	653	11.7	15	80	38 x 46 x 61
4YCC3048A4120A	46,500	120,000/95,000	13.00/11.00	80.0	659	11.7	15	80	38 x 46 x 61
4YCC3060A4096A	58,000	96,000/77,000	13.00/10.95	80.0	678	19.3	25	79	40 x 46 x 61
4YCC3060A4120A	58,000	120,000/95,000	13.00/10.95	80.0	684	19.3	25	79	40 x 46 x 61

For dimensional/outline drawings, please refer to Product Data.

For information on Roof Curbs, please refer to the Accessories/Information Tab.

Packaged Gas/Electric Convertible 1½-5 Tons

Table PG-6-A — Features

	4YCX3 1½-5	4YCC3 1½-5
• SEER up to.....	13.00	13.00
• Exclusive Duration™ high efficiency compressor with internal overload protection.....	✓	✓
• Factory supplied charge.....	R-410A	R-410A
• Composite Vortica® indoor blower.....	✓	✓
• Direct drive multi-speed indoor blower motors.....	✓	✓
• All aluminum Spine Fin™ outdoor coil.....	✓	✓
• Swept-blade outdoor fan for quiet operation.....	✓	—
• Architecturally integrated louvers and corner guards.....	✓	—
• All steel louvers.....	—	✓
• Cabinet constructed of heavy gauge, galvanized steel and painted with a weather-resistant powder paint.....	✓	✓
• Stainless steel heat exchanger and burners.....	✓	✓
• Single stage cool.....	✓	✓
• Single stage gas.....	✓	✓
• Start kit - factory installed (single phase only).....	1½ - 2½	1½ - 2½
• High pressure cutout.....	✓	✓
• Low pressure cutout.....	3-Phase Only	3-Phase Only
• Liquid line drier - factory installed.....	✓	✓
• Non-bleed expansion valves on indoor coil.....	✓	✓
• Pressure taps, including liquid line taps, easily accessed and protected inside compressor compartment.....	✓	✓
• Right side electrical service access for high and low voltage connections.....	✓	✓
• Rugged steel basepan features deep drawn duct connections.....	✓	✓
• Steeply sloped composite drainpan.....	✓	✓
• Ships in horizontal configuration and converts quickly for downflow.....	✓	✓
• Copper tube, aluminum fin indoor coil.....	✓	✓
• All models are certified to ANSI 221.47/CSA 2.3.....	✓	✓
• 20-year heat exchanger, 10-year compressor, 10-year outdoor coil, and 5-year all other functional parts registered limited warranty (Residential Use)Ⓢ	✓	—
• 10-year heat exchanger, 10-year compressor, 5-year outdoor coil, and 5-year all other functional parts registered limited warranty (Residential Use)Ⓢ	—	✓
• Extended warranties available	✓	✓

Ⓢ Registered Limited Warranty terms are available when you register within 60 days of installation. You can register online at americanstandardair.com or by phone at 800-554-8005; otherwise American Standard Heating & Air Conditioning's Base Limited Warranty terms will apply. Base Limited Warranty information on specific products can be found on ASDealerNet.com.

For dimensional/outline drawings, please refer to Product Data.

For information on Roof Curbs, please refer to the Accessories/Information Tab.

Packaged Gas/Electric Convertible 1½-5 Tons

Table PG-7-A — Accessories

Model Number	Description	Shipping Weight	4YCX3	4YCC3
			1½-5	1½-5
BAYACCDOR1A	Hinged Filter Access Door [Ⓟ]		1½-3	1½-3
BAYACCDOR2A	Hinged Filter Access Door [Ⓟ]		3½-5	3½-5
BAYADAP050A	Adapter Curb (Cabinet A/B)		1½-3	1½-3
BAYADAP051A	Adapter Curb (Cabinet C)		1½-3	1½-3
BAYADAP052A	Adapter Curb (Cabinet A/B)		3½-5	3½-5
BAYADAP053A	Adapter Curb (Cabinet C)		3½-5	3½-5
BAYADAP054A	Adapter Curb (Cabinet D)		3½-5	3½-5
BAYASCT001	Anti-Short Cycle Timer [Ⓢ]		✓	✓
BAYCCHT101A	Crankcase Heater (230v) (Reciprocation)		1½-2	1½-2
BAYCCHT102A	Crankcase Heater (230v) (Scroll)		3,4,5	3,4,5
BAYCCHT404B	Crankcase Heater (460v) (Scroll)		3,4,5	3,4,5
BAYCOVR112A	12" Duct Shroud (Covers Horizontal Ducts) [Ⓙ]		1½-5	1½-5
BAYCOVR118A	18" Duct Shroud (Covers Horizontal Ducts) [Ⓙ]		1½-5	1½-5
BAYCURB050A	Flat Roof Full Perimeter Curb (Insulated)	74	1½-3	1½-3
BAYCURB051A	Flat Roof Full Perimeter Curb (Insulated)	74	3½-5	3½-5
BAYDMPR101A	Motorized Fresh Air Damper ^{①③④⑨⑩⑪}		1½-3	1½-3
BAYDMPR102A	Motorized Fresh Air Damper ^{①③④⑨⑩⑪}		3½-5	3½-5
BAYECON101A	Economizer with Barometric Relief (Downflow) ^{①③④⑪⑫}	50	1½-3	1½-3
BAYECON102A	Economizer with Barometric Relief (Downflow) ^{①③④⑪⑫}	65	3½-5	3½-5
BAYECON200A	Economizer (Horizontal) ^{①③④⑧}	85	1½-3	1½-3
BAYECON201A	Economizer (Horizontal) ^{①③④⑧}	85	3½-5	3½-5
BAYECONCOMB101A	BAYECON101A, door, and filter kit		1½-3	1½-3
BAYECONCOMB102A	BAYECON102A, door, and filter kit		3½-5	3½-5
BAYENTH001A	Enthalpy Control Kit [Ⓢ]	2	✓	✓
BAYEXMK001A	Extreme Conditions Mounting Kit (Used on BAYCURB & BAYADAP)		✓	✓
BAYEXMK002B	Extreme Conditions Mounting Kit (Used on BAYUTIL)		✓	✓
BAYEXMK003A	Extreme Conditions Mounting Kit (Used on Slab Mounts)		✓	✓
BAYFLTR101B	1-2" Filter Frame ^① -Requires one 20x25 filter (not included)	6	1½-3	1½-3
BAYFLTR201B	1-2" Filter Frame ^① -Requires one 20x20, and one 20x18 filters (not included)	6	3½-5	3½-5
BAYLIFT002B	Lifting Lug Kit	5	✓	✓
BAYLOAM105A	Low Ambient Control Kit	5	✓	✓
BAYLPKT100A	LP Conversion Kit		40K, 120K	40K, 120K
BAYLPKT101A	LP Conversion Kit		64K, 96K	64K, 96K
BAYLPKT102A	LP Conversion Kit		75K	75K
BAYOSAH001A	Manual Fresh Air Damper ^①	6	1½-3	1½-3
BAYOSAH002A	Manual Fresh Air Damper ^①	8	3½-5	3½-5
BAYQSTK301A	Start Kit		✓	✓
BAYSQRD001A	16" Round Duct Adapter [Ⓢ]	5	1½-3	1½-3
BAYSQRD002A	18" Round Duct Adapter [Ⓢ]	3	1½-5	1½-5
BAYUTIL101B	Roof Curb Utility Extension Kit		1½-3	1½-3
BAYUTIL102B	Roof Curb Utility Extension Kit		3½-5	3½-5
BAYUV101A	21" Retrofit UVC Lamp Kit	5	1½-3	1½-3
BAYUV102A	33" Retrofit UVC Lamp Kit	5	3½-5	3½-5

- ① Must use filter frame when economizer/fresh air kit is used.
- ② Ships knocked down.
- ③ Dry bulb control standard with economizer.
- ④ 2-Stage cooling control required when using economizer.
- ⑤ Do not use with electronic thermostats.
- ⑥ It is the responsibility of the installing dealer to properly size the ductwork for each specific application.
- ⑦ BAYCOVR112,118A will not cover BAYSQRD002A applications.
- ⑧ Does not contain barometric relief.
- ⑨ Max fresh air - 25%.
- ⑩ For non-continuous fan gas-heating applications, the damper opens only when the OD ambient is above 50° F.
- ⑪ It is the designer/engineer's responsibility to review product specifications prior to equipment selection to insure optimal performance and compliance to codes.
- ⑫ Temperature of mixed air entering the heat exchanger is monitored and fresh air intake may be reduced under certain conditions.
- ⑬ BAYACCDOR1A requires BAYFLTR101B & BAYACCDOR2A requires BAYFLTR201B. They are not backward compatible to BAYFLTR101/201A.

EXISTING CURB	NEW UNIT 4TC/WC/YC****A	USE BAYADAP0**A
BAYCURB030,38A	018-036	50
BAYCURB030,38A	042-060	52
BAYCURB033A	018-036	51
BAYCURB033A	042-060	53
BAYCURB034A	042-060	54

For dimensional/outline drawings, please refer to Product Data.

For information on Roof Curbs, please refer to the Accessories/Information Tab.

For complete equipment / combination selections, installation instructions and warranty information, please refer to Product Data/Ratings and/or Installers Guides and Limited Warranty Handbooks.

Packaged Gas/Electric Convertible 3-10 Tons



Featuring A New Look for a New Century

Beveled Top
Smoother Design
Small compact cabinet
Recessed access handles

Standard Features:

- American Standard Heating & Air Conditioning built scroll compressors on all 3-10 ton units except 3 ton standard efficiency model (Reciprocating Compressor)
- Colored and numbered wiring
- Phase Monitor, R-410A, 3 Phase Units
- Provisions for through the Base Gas and Condensate Drain Connections
- Patented Hybrid Condenser Coil for easy cleaning
- 2" throwaway filters provided on all units
- Liquid Line Refrigerant Drier
- Operating Charge of R-410A
- IAQ Sloped Drain Pans
- Low Ambient to 40°F on Electromechanical models
- Low Ambient to 0°F on ReliaTel™ models
- 5 - year Limited Compressor Warranty
- 5 - year Limited Heat Exchanger Warranty
- 1 - year Limited Parts Warranty

Added Flexibility

- Electromechanical or ReliaTel™ controls (**See page PC-15 for ReliaTel™ Control Information**)
- Standard or high efficiency cooling models available
- Low, medium or high heat, single or two stage
- Convertible airflow
- Fork lift openings on three sides of unit
- Direct or belt drive - standard or oversized motors
- We don't prepackage options
- Choose options tailored to suit each job —pay only for what is needed
- Units ship with options installed —and within our standard ship cycle time

Factory Installed Options

- Through-the-Base — Electrical
- Convenience Outlet — Powered or unpowered
- Unit Disconnect Switch
- Circuit Breaker
- Smoke Detectors — Supply, return, or both
- Condenser Coil Coating
- Hinged Access Service Panels
- Discharge Air Sensor
- Fan Fail and Clogged Filter Switches
- Condenser Coil Guard — Hail Protection Quality
- Hot Gas Reheat Coil - Dehumidification
- Expansion valve and split face evaporator coil
- Novar Controls
- Comm 3/4 Communications Interface
- 2" Pleated Media filters (MERV 7 & 13)
- Froststat

***The same American Standard Heating & Air Conditioning
Quality and Reliability ... with added Flexibility!***

Packaged Gas/Electric Convertible 3-5 Tons, 15 SEER, R-410A

Table PG-9-A — Base Unit — 15 SEER High Efficiency — Electromechanical or ReliaTel™

Tons	Unit Ordering No.	Performance ^② SEER/EER	Cooling Capacity (Btuh)	Heating Output ^①		Cabinet Dimensions (in.) H x W x L	Downflow Supply	Downflow Return	Shipping Weight (lbs.)	MCA**	Max. Fuse**
				Capacity (Btuh)	AFUE%						
YHC - 208-230/1/60 - Single Phase - Low Heat											
3	YHC036E1*LA0000	15.0	38,490	48,000	78	36 x 43 x 69	18 x 15.5	24 x 14	555	26.7	40
4	YHC048E1*LA0000	15.0	48,930	48,000	80	42 x 53 x 88	33 x 17.5	32.2 x 17.5	798	35.7	50
5	YHC060E1*LA0000	15.0	62,490	48,000	80	42 x 53 x 88	33 x 17.5	32.2 x 17.5	823	43.8	70
YHC - 208-230/3/60 - Three Phase - Low Heat											
3	YHC036E3*LA0000	15.0	38,490	48,000	78	36 x 43 x 69	18 x 15.5	24 x 14	637	21.9	30
4	YHC048E3*LA0000	15.0	49,930	48,000	80	42 x 53 x 88	33 x 17.5	32.2 x 17.5	869	28.3	40
5	YHC060E3*LA0000	15.0	63,490	48,000	80	42 x 53 x 88	33 x 17.5	32.2 x 17.5	894	32.1	45
YHC - 460/3/60 - Three Phase - Low Heat											
3	YHC036E4*LA0000	15.0	38,490	48,000	78	36 x 43 x 69	18 x 15.5	24 x 14	637	10.0	15
4	YHC048E4*LA0000	15.0	49,930	48,000	80	42 x 53 x 88	33 x 17.5	32.2 x 17.5	869	13.6	20
5	YHC060E4*LA0000	15.0	63,490	48,000	80	42 x 53 x 88	33 x 17.5	32.2 x 17.5	894	16.8	25
YHC - 208-230/1/60 - Single Phase - Medium Heat											
3	YHC036E1*MA0000	15.0	38,490	65,000	78	36 x 43 x 69	18 x 15.5	24 x 14	637	26.7	40
4	YHC048E1*MA0000	15.0	48,930	64,000	79	42 x 53 x 88	33 x 17.5	32.2 x 17.5	869	35.7	50
5	YHC060E1*MA0000	15.0	62,490	64,000	79	42 x 53 x 88	33 x 17.5	32.2 x 17.5	894	43.8	70
YHC - 208-230/3/60 - Three Phase - Medium Heat											
3	YHC036E3*MA0000	15.0	38,490	64,000	78	36 x 43 x 69	18 x 15.5	24 x 14	637	21.9	30
4	YHC048E3*MA0000	15.0	49,930	64,000	79	42 x 53 x 88	33 x 17.5	32.2 x 17.5	869	28.3	40
5	YHC060E3*MA0000	15.0	63,490	64,000	79	42 x 53 x 88	33 x 17.5	32.2 x 17.5	894	32.1	45
YHC - 460/3/60 - Three Phase - Medium Heat											
3	YHC036E4*MA0000	15.0	38,490	64,000	78	36 x 43 x 69	18 x 15.5	24 x 14	637	10.0	15
4	YHC048E4*MA0000	15.0	49,930	64,000	79	42 x 53 x 88	33 x 17.5	32.2 x 17.5	869	13.6	20
5	YHC060E4*MA0000	15.0	63,490	64,000	79	42 x 53 x 88	33 x 17.5	32.2 x 17.5	894	16.8	25
YHC - 208-230/1/60 - Single Phase - High Heat											
3	YHC036E1*HA0000	15.0	38,490	96,000	78	36 x 43 x 69	18 x 15.5	24 x 14	637	26.7	40
4	YHC048E1*HA0000	15.0	48,930	96,000	79	42 x 53 x 88	33 x 17.5	32.2 x 17.5	869	35.7	50
5	YHC060E1*HA0000	15.0	62,490	104,000	80	42 x 53 x 88	33 x 17.5	32.2 x 17.5	894	43.8	70
YHC - 208-230/3/60 - Three Phase - High Heat											
3	YHC036E3*HA0000	15.0	38,490	96,000	78	36 x 43 x 69	18 x 15.5	24 x 14	637	21.9	30
4	YHC048E3*HA0000	15.0	49,930	96,000	79	42 x 53 x 88	33 x 17.5	32.2 x 17.5	869	28.3	40
5	YHC060E3*HA0000	15.0	63,490	104,000	80	42 x 53 x 88	33 x 17.5	32.2 x 17.5	894	32.1	45
YHC - 460/3/60 - Three Phase - High Heat											
3	YHC036E4*HA0000	15.0	38,490	96,000	78	36 x 43 x 69	18 x 15.5	24 x 14	637	10.0	15
4	YHC048E4*HA0000	15.0	49,930	96,000	79	42 x 53 x 88	33 x 17.5	32.2 x 17.5	869	13.6	20
5	YHC060E4*HA0000	15.0	63,490	104,000	80	42 x 53 x 88	33 x 17.5	32.2 x 17.5	894	16.8	25

① Downflow Airflow/Horizontal Airflow

② SEER applies, 3-5 tons; EER applies 6-10 tons.

* Digit 9-E=Electromechanical or R=ReliaTel™.

** Information subject to change. Please confirm with current Product Data/Service Facts for current factory production.

Packaged Gas/Electric Convertible 3-5 Tons, 13 SEER, R-410A

Table PG-10-A — Base Unit — 13 SEER — Electromechanical or ReliaTel™

Tons	Unit Ordering No.	Performance ^② SEER/EER	Cooling Capacity (Btuh)	Heating Output ^①		Cabinet Dimensions (in.) H x W x L	Downflow Supply	Downflow Return	Shipping Weight (lbs.)	MCA**	Max. Fuse**
				Capacity (Btuh)	AFUE%						
YSC -208-230/1/60 – Single Phase – Low Heat											
3	YSC036E1*LA0000	13.0	35,620	48,000	80	36 x 43 x 69	18 x 15.5	12 x 14	607	27.2	40
4	YSC048E1*LA0000	13.0	49,210	48,000	80	36 x 43 x 69	18 x 15.5	12 x 14	638	35.2	50
5	YSC060E1*LA0000	13.0	59,900	48,000	80	36 x 43 x 69	18 x 15.5	12 x 14	688	43.8	70
YSC -208-230/3/60 – Three Phase – Low Heat											
3	YSC036E3*LA0000	13.0	37,150	48,000	80	36 x 43 x 69	18 x 15.5	12 x 14	607	21.4	30
4	YSC048E3*LA0000	13.0	49,450	48,000	80	36 x 43 x 69	18 x 15.5	12 x 14	638	25.2	35
5	YSC060E3*LA0000	13.0	62,270	48,000	80	36 x 43 x 69	18 x 15.5	12 x 14	688	29.5	45
YSC -460/3/60 – Three Phase – Low Heat											
3	YSC036E4*LA0000	13.0	37,150	48,000	80	36 x 43 x 69	18 x 15.5	12 x 14	607	10.1	15
4	YSC048E4*LA0000	13.0	49,450	48,000	80	36 x 43 x 69	18 x 15.5	12 x 14	638	12.5	15
5	YSC060E4*LA0000	13.0	62,270	48,000	80	36 x 43 x 69	18 x 15.5	12 x 14	688	15.5	25
YSC -575/3/60 – Three Phase – Low Heat											
3	YSC036EW*LA0000	13.0	37,150	48,000	80	36 x 43 x 69	18 x 15.5	12 x 14	607	8.0	15
4	YSC048EW*LA0000	13.0	49,450	48,000	80	36 x 43 x 69	18 x 15.5	12 x 14	638	9.0	15
5	YSC060EW*LA0000	13.0	62,270	48,000	80	36 x 43 x 69	18 x 15.5	12 x 14	688	10.1	15
YSC -208-230/1/60 – Single Phase – Medium Heat											
3	YSC036E1*MA0000	13.0	35,620	64,000	80	36 x 43 x 69	18 x 15.5	12 x 14	607	27.2	40
4	YSC048E1*MA0000	13.0	49,210	64,000	80	36 x 43 x 69	18 x 15.5	12 x 14	638	35.2	50
5	YSC060E1*MA0000	13.0	59,900	64,000	80	36 x 43 x 69	18 x 15.5	12 x 14	688	43.8	70
YSC -208-230/3/60 – Three Phase – Medium Heat											
3	YSC036E3*MA0000	13.0	37,150	64,000	81	36 x 43 x 69	18 x 15.5	12 x 14	607	21.4	30
4	YSC048E3*MA0000	13.0	49,450	64,000	81	36 x 43 x 69	18 x 15.5	12 x 14	638	25.2	35
5	YSC060E3*MA0000	13.0	62,270	64,000	81	36 x 43 x 69	18 x 15.5	12 x 14	688	29.5	45
YSC -460/3/60 – Three Phase – Medium Heat											
3	YSC036E4*MA0000	13.0	37,150	64,000	80	36 x 43 x 69	18 x 15.5	12 x 14	607	10.1	15
4	YSC048E4*MA0000	13.0	49,450	64,000	80	36 x 43 x 69	18 x 15.5	12 x 14	638	12.5	15
5	YSC060E4*MA0000	13.0	62,270	64,000	80	36 x 43 x 69	18 x 15.5	12 x 14	688	15.5	25
YSC -575/3/60 – Three Phase – Medium Heat											
3	YSC036EW*MA0000	13.0	37,150	64,000	80	36 x 43 x 69	18 x 15.5	12 x 14	607	8.0	15
4	YSC048EW*MA0000	13.0	49,450	64,000	80	36 x 43 x 69	18 x 15.5	12 x 14	638	9.0	15
5	YSC060EW*MA0000	13.0	62,270	64,000	80	36 x 43 x 69	18 x 15.5	12 x 14	688	10.1	15
YSC -208-230/1/60 – Single Phase – High Heat											
3	YSC036E1*HA0000	13.0	35,620	96,000	80	36 x 43 x 69	18 x 15.5	12 x 14	607	27.2	40
4	YSC048E1*HA0000	13.0	49,210	96,000	80	36 x 43 x 69	18 x 15.5	12 x 14	638	35.2	50
5	YSC060E1*HA0000	13.0	59,900	104,000	80	36 x 43 x 69	18 x 15.5	12 x 14	688	43.8	70
YSC -208-230/3/60 – Three Phase – High Heat											
3	YSC036E3*HA0000	13.0	37,150	96,000	80	36 x 43 x 69	18 x 15.5	12 x 14	607	21.4	30
4	YSC048E3*HA0000	13.0	49,450	96,000	80	36 x 43 x 69	18 x 15.5	12 x 14	638	25.2	35
5	YSC060E3*HA0000	13.0	62,270	104,000	80	36 x 43 x 69	18 x 15.5	12 x 14	688	29.5	45
YSC -460/3/60 – Three Phase – High Heat											
3	YSC036E4*HA0000	13.0	37,150	96,000	80	36 x 43 x 69	18 x 15.5	12 x 14	607	10.1	15
4	YSC048E4*HA0000	13.0	49,450	96,000	80	36 x 43 x 69	18 x 15.5	12 x 14	638	12.5	15
5	YSC060E4*HA0000	13.0	62,270	104,000	80	36 x 43 x 69	18 x 15.5	12 x 14	688	15.5	25
YSC -575/3/60 – Three Phase – High Heat											
3	YSC036EW*HA0000	13.0	37,150	96,000	80	36 x 43 x 69	18 x 15.5	12 x 14	607	8.0	15
4	YSC048EW*HA0000	13.0	49,450	96,000	80	36 x 43 x 69	18 x 15.5	12 x 14	638	9.0	15
5	YSC060EW*HA0000	13.0	62,270	104,000	80	36 x 43 x 69	18 x 15.5	12 x 14	688	10.1	15

① Downflow Airflow/Horizontal Airflow

② SEER applies, 3-5 tons; EER applies 6-10 tons.

* Digit 9-E=Electromechanical or R=ReliaTel™.

** Information subject to change. Please confirm with current Product Data/Service Facts for current factory production.

Packaged Gas/Electric Convertible 6-10 Tons, High Efficiency, R-410A

Table PG-11-A — Base Unit — High Efficiency — Electromechanical or ReliaTel™

Tons	Unit Ordering No.	Performance ^②		Heating Output ^①		Cabinet Dimensions (in.) H x W x L	Downflow Supply	Downflow Return	Shipping Weight (lbs.)	MCA**	Max. Fuse**
		EER	Cooling Capacity (Btuh)	Capacity (Btuh)	AFUE%						
YHC –208-230/3/60 – Three Phase – Low Heat											
6	YHC072E3*LA0000	12.6	72,000	64,800	80	47 x 53 x 89	33 x 17.5	32.13 x 17.5	997	33.9	50
7½	YHC092E3*LA0000	13.0	92,000	96,000	80	51 x 63 x 100	32.25 x 19.25	32.25 x 16.75	1528	42.7	50
8½	YHC102E3*LA0000	13.0	103,000	96,000	80	51 x 63 x 100	32.25 x 19.25	32.25 x 16.75	1553	44.7	60
10	YHC120E3*LA0000	12.5	119,000	120,000*	80	51 x 63 x 100	32.25 x 19.25	32.25 x 16.75	1563	50.3	60
YHC –460/3/60 – Three Phase – Low Heat											
6	YHC072E4*LA0000	12.6	72,000	64,800	80	47 x 53 x 89	33 x 17.5	32.13 x 17.5	997	16.3	25
7½	YHC092E4*LA0000	13.0	92,000	96,000	80	51 x 63 x 100	32.25 x 19.25	32.25 x 16.75	1528	19.8	25
8½	YHC102E4*LA0000	13.0	103,000	96,000	80	51 x 63 x 100	32.25 x 19.25	32.25 x 16.75	1553	22.9	30
10	YHC120E4*LA0000	12.5	119,000	120,000*	80	51 x 63 x 100	32.25 x 19.25	32.25 x 16.75	1563	24.9	30
YHC –208-230/3/60 – Three Phase – Medium Heat											
6	YHC072E3*MA0000	12.6	72,000	96,000	80	47 x 53 x 89	33 x 17.5	32.13 x 17.5	997	33.9	50
7½	YHC092E3*MA0000	13.0	92,000	120,000*	80	51 x 63 x 100	32.25 x 19.25	32.25 x 16.75	1528	42.7	50
8½	YHC102E3*MA0000	13.0	103,000	120,000*	80	51 x 63 x 100	32.25 x 19.25	32.25 x 16.75	1553	44.7	60
10	YHC120E3*MA0000	12.5	119,000	160,000*	80	51 x 63 x 100	32.25 x 19.25	32.25 x 16.75	1563	50.3	60
YHC –460/3/60 – Three Phase – Medium Heat											
6	YHC072E4*MA0000	12.6	72,000	96,000	80	47 x 53 x 89	33 x 17.5	32.13 x 17.5	997	16.3	25
7½	YHC092E4*MA0000	13.0	92,000	120,000*	80	51 x 63 x 100	32.25 x 19.25	32.25 x 16.75	1528	19.8	25
8½	YHC102E4*MA0000	13.0	103,000	120,000*	80	51 x 63 x 100	32.25 x 19.25	32.25 x 16.75	1553	22.9	30
10	YHC120E4*MA0000	12.5	119,000	160,000*	80	51 x 63 x 100	32.25 x 19.25	32.25 x 16.75	1563	24.9	30
YHC –208-230/3/60 – Three Phase – High Heat											
6	YHC072E3*HA0000	12.6	72,000	120,000*	80	47 x 53 x 89	33 x 17.5	32.13 x 17.5	997	33.9	50
7½	YHC092E3*HA0000	13.0	92,000	160,000*	80	51 x 63 x 100	32.25 x 19.25	32.25 x 16.75	1528	42.7	50
8½	YHC102E3*HA0000	13.0	103,000	160,000*	80	51 x 63 x 100	32.25 x 19.25	32.25 x 16.75	1553	44.7	60
10	YHC120E3*HA0000	12.5	119,000	200,000*	80	51 x 63 x 100	32.25 x 19.25	32.25 x 16.75	1563	50.3	60
YHC –460/3/60 – Three Phase – High Heat											
6	YHC072E4*HA0000	12.6	72,000	120,000*	80	47 x 53 x 89	33 x 17.5	32.13 x 17.5	997	16.3	25
7½	YHC092E4*HA0000	13.0	92,000	160,000*	80	51 x 63 x 100	32.25 x 19.25	32.25 x 16.75	1528	19.8	25
8½	YHC102E4*HA0000	13.0	103,000	160,000*	80	51 x 63 x 100	32.25 x 19.25	32.25 x 16.75	1553	22.9	30
10	YHC120E4*HA0000	12.5	119,000	200,000*	80	51 x 63 x 100	32.25 x 19.25	32.25 x 16.75	1563	24.9	30

① Downflow Airflow/Horizontal Airflow

② SEER applies, 3-5 tons; EER applies 6-10 tons.

* Digit 9-E=Electromechanical or R=ReliaTel™.

** Information subject to change. Please confirm with current Product Data/Service Facts for current factory production.

Packaged Gas/Electric Convertible 6-10 Tons, R-410A

Table PG-12-A — Base Unit — Electromechanical or ReliaTel™

Tons	Unit Ordering No.	Performance ^② EER	Cooling Capacity (Btuh)	Heating Output ^①		Cabinet Dimensions (in.) H x W x L	Downflow Supply	Downflow Return	Shipping Weight (lbs.)	MCA**	Max. Fuse**
				Capacity (Btuh)	AFUE%						
YSC –208-230/3/60 – Three Phase – Low Heat											
6	YSC072E3*LA0000	11.2	75,000	64,800	80	41 x 53 x 89	33 x 17.5	32.13 x 17.5	936	36.5	50
7½	YSC090E3*LA0000	11.1	89,000	120,000	80	41 x 53 x 89	33 x 17.5	32.13 x 17.5	916	38.2	60
7½	YSC092E3*LA0000	11.2	94,000	97,200	80	47 x 53 x 89	33 x 17.5	32.13 x 17.5	1059	43.3	50
8½	YSC102E3*LA0000	11.2	102,000	97,200	80	47 x 53 x 89	33 x 17.5	32.13 x 17.5	1096	46.3	60
10	YSC120E3*LB0000	11.3	118,000	121,500	80	47 x 53 x 89	33 x 17.5	32.13 x 17.5	1221	55.9	60
YSC –460/3/60 – Three Phase – Low Heat											
6	YSC072E4*LA0000	11.2	75,000	64,800	80	41 x 53 x 89	33 x 17.5	32.13 x 17.5	936	18.2	25
7½	YSC090E4*LA0000	11.1	89,000	120,000	80	41 x 53 x 89	33 x 17.5	32.13 x 17.5	916	19.5	30
7½	YSC092E4*LA0000	11.2	94,000	97,200	80	47 x 53 x 89	33 x 17.5	32.13 x 17.5	1059	21.5	25
8½	YSC102E4*LA0000	11.2	102,000	97,200	80	47 x 53 x 89	33 x 17.5	32.13 x 17.5	1096	21.9	25
10	YSC120E4*LB0000	11.3	118,000	121,500	80	47 x 53 x 89	33 x 17.5	32.13 x 17.5	1221	26.5	35
YSC –575/3/60 – Three Phase – Low Heat											
6	YSC072EW*LA0000	11.2	75,000	64,800	80	41 x 53 x 89	33 x 17.5	32.13 x 17.5	936	12.7	20
7½	YSC090EW*LA0000	11.1	89,000	120,000	80	41 x 53 x 89	33 x 17.5	32.13 x 17.5	916	14.7	20
7½	YSC092EW*LA0000	11.2	94,000	97,200	80	47 x 53 x 89	33 x 17.5	32.13 x 17.5	1059	15.9	20
8½	YSC102EW*LA0000	11.2	102,000	97,200	80	47 x 53 x 89	33 x 17.5	32.13 x 17.5	1096	17.5	20
10	YSC120EW*LB0000	11.3	118,000	121,500	80	47 x 53 x 89	33 x 17.5	32.13 x 17.5	1221	21.2	25
YSC –208-230/3/60 – Three Phase – Medium Heat											
6	YSC072E3*MA0000	11.2	75,000	97,200	80	41 x 53 x 89	33 x 17.5	32.13 x 17.5	936	36.5	50
7½	YSC090E3*MA0000	11.1	89,000	150,000	80	41 x 53 x 89	33 x 17.5	32.13 x 17.5	916	38.2	60
7½	YSC092E3*MA0000	11.2	94,000	121,500	80	47 x 53 x 89	33 x 17.5	32.13 x 17.5	1059	43.3	50
8½	YSC102E3*MA0000	11.2	102,000	121,500	80	47 x 53 x 89	33 x 17.5	32.13 x 17.5	1096	46.3	60
10	YSC120E3*MB0000	11.3	118,000	162,000	80	47 x 53 x 89	33 x 17.5	32.13 x 17.5	1221	55.9	60
YSC –460/3/60 – Three Phase – Medium Heat											
6	YSC072E4*MA0000	11.2	75,000	97,200	80	41 x 53 x 89	33 x 17.5	32.13 x 17.5	936	18.2	25
7½	YSC090E4*MA0000	11.1	89,000	150,000	80	41 x 53 x 89	33 x 17.5	32.13 x 17.5	916	19.5	30
7½	YSC092E4*MA0000	11.2	94,000	121,500	80	47 x 53 x 89	33 x 17.5	32.13 x 17.5	1059	21.5	25
8½	YSC102E4*MA0000	11.2	102,000	121,500	80	47 x 53 x 89	33 x 17.5	32.13 x 17.5	1096	21.9	25
10	YSC120E4*MB0000	11.3	118,000	162,000	80	47 x 53 x 89	33 x 17.5	32.13 x 17.5	1221	26.5	35
YSC –575/3/60 – Three Phase – Medium Heat											
6	YSC072EW*MA0000	11.2	75,000	97,200	80	41 x 53 x 89	33 x 17.5	32.13 x 17.5	936	12.7	20
7½	YSC090EW*MA0000	11.1	89,000	150,000	80	41 x 53 x 89	33 x 17.5	32.13 x 17.5	916	14.7	20
7½	YSC092EW*MA0000	11.2	94,000	121,500	80	47 x 53 x 89	33 x 17.5	32.13 x 17.5	1059	15.9	20
8½	YSC102EW*MA0000	11.2	102,000	121,500	80	47 x 53 x 89	33 x 17.5	32.13 x 17.5	1096	17.5	20
10	YSC120EW*MB0000	11.3	118,000	162,000	80	47 x 53 x 89	33 x 17.5	32.13 x 17.5	1221	21.2	25
YSC –208-230/3/60 – Three Phase – High Heat											
6	YSC072E3*HA0000	11.2	75,000	121,500	80	41 x 53 x 89	33 x 17.5	32.13 x 17.5	936	36.5	50
7½	YSC090E3*HA0000	11.1	89,000	200,000	80	41 x 53 x 89	33 x 17.5	32.13 x 17.5	916	38.2	60
7½	YSC092E3*HA0000	11.2	94,000	162,000	80	47 x 53 x 89	33 x 17.5	32.13 x 17.5	1059	43.3	50
8½	YSC102E3*HA0000	11.2	102,000	162,000	80	47 x 53 x 89	33 x 17.5	32.13 x 17.5	1096	46.3	60
10	YSC120E3*HB0000	11.3	118,000	205,500	80	47 x 53 x 89	33 x 17.5	32.13 x 17.5	1221	55.9	60
YSC –460/3/60 – Three Phase – High Heat											
6	YSC072E4*HA0000	11.2	75,000	121,500	80	41 x 53 x 89	33 x 17.5	32.13 x 17.5	936	18.2	25
7½	YSC090E4*HA0000	11.1	89,000	200,000	80	41 x 53 x 89	33 x 17.5	32.13 x 17.5	916	19.5	30
7½	YSC092E4*HA0000	11.2	94,000	162,000	80	47 x 53 x 89	33 x 17.5	32.13 x 17.5	1059	21.5	25
8½	YSC102E4*HA0000	11.2	102,000	162,000	80	47 x 53 x 89	33 x 17.5	32.13 x 17.5	1096	21.9	25
10	YSC120E4*HB0000	11.3	118,000	205,500	80	47 x 53 x 89	33 x 17.5	32.13 x 17.5	1221	26.5	35
YSC –575/3/60 – Three Phase – High Heat											
6	YSC072EW*HA0000	11.2	75,000	121,500	80	41 x 53 x 89	33 x 17.5	32.13 x 17.5	936	12.7	20
7½	YSC090EW*HA0000	11.1	89,000	200,000	80	41 x 53 x 89	33 x 17.5	32.13 x 17.5	916	14.7	20
7½	YSC092EW*HA0000	11.2	94,000	162,000	80	47 x 53 x 89	33 x 17.5	32.13 x 17.5	1059	15.9	20
8½	YSC102EW*HA0000	11.2	102,000	162,000	80	47 x 53 x 89	33 x 17.5	32.13 x 17.5	1096	17.5	20
10	YSC120EW*HB0000	11.3	118,000	205,500	80	47 x 53 x 89	33 x 17.5	32.13 x 17.5	1221	21.2	25

① Downflow Airflow/Horizontal Airflow

② SEER applies, 3-5 tons; EER applies 6-10 tons.

* Digit 9-E=Electromechanical or R=ReliaTel™.

** Information subject to change. Please confirm with current Product Data/Service Facts for current factory production.

For complete equipment / combination selections, installation instructions and warranty information, please refer to Product Data/Ratings and/or Installers Guides and Limited Warranty Handbooks.

Packaged Gas/Electric Convertible 3-10 Tons (Model Digit Numbers)

Digit	Description	Order Number	Digit	Description	Order Number
1-8	Main Assembly (see previous page)		18	Through the Base Provisions	
9	Unit Controls			No Through the Base Provisions	0
	Electromechanical	E		Through the Base Electric®	A
	ReliaTel™ Micro-processor.....	R		Through the Base Gas.....	B
10	Heating Capacity			Through the Base Gas and Electric®	C
	Low	L	19	Disconnect/Circuit Breaker/Phase Monitor (3 phase only)	
	Medium.....	M		No Disconnect Circuit Breaker.....	0
	High	H		Unit Mounted Non-Fused Disconnect®	1
	Low - Stainless Steel Heat Exchanger.....	X		Unit Mounted Circuit Breaker®	2
	Medium - Stainless Steel Heat Exchanger	Y	20	Convenience Outlet	
	High - Stainless Steel Heat Exchanger.....	Z		No Convenience Outlet.....	0
11	Minor Design Sequence			Unpowered Convenience Outlet	A
	First Sequence	A		Powered Convenience Outlet (3 phase only)③	B
12-13	Service Sequence		21	Communications Options®	
	First Sequence (Factory assigned)	*,*		No Communications Interface.....	0
14	Fresh Air Selection			Comm 3/4 Communications Interface.....	1
	No Fresh Air.....	0		Novar 2024 Controls.....	3
	0-50% Manual Outside Air Damper®	A		Novar 3051 Controls.....	4
	0-50% Motorized Outside Air Damper	B	22	Refrigeration System Option	
	0-100% Economizer, Dry Bulb without			Standard Refrigeration System④	0
	Barometric Relief②	C		Dehumidification (Hot Gas Reheat Coil)④	B
	0-100% Economizer, Dry Bulb with		23	Refrigeration Controls	
	Barometric Relief②	D		No Refrigeration Control	0
	0-100% Economizer, Reference Enthalpy			Frostat®	1
	without Barometric Relief①②	E		Crankcase Heater	2
	0-100%Economizer, Reference Enthalpy			Frostat® and Crankcase Heater®	3
	with Barometric Relief①②	F	24	Smoke Detector⑦⑧	
	0-100%Economizer, Comparative Enthalpy			No Smoke Detector	0
	without Barometric Relief ①②	G		Return Air Smoke Detector®⑧	A
	0-100%Economizer, Comparative Enthalpy			Supply Air Smoke Detector	B
	with Barometric Relief ①②	H		Supply and Return Air Smoke Detectors®⑧	C
15	Supply Fan/Drive Type/Motor		25	Monitoring Controls®	
	Standard Drive	0		No Monitoring Control®	0
	Oversized Motor	1		Clogged Filter Switch®	1
	Optional Belt Drive Motor®.....	2		Fan Failure Switch®	2
16	Hinged Service Access & Filters			Discharge Air Sensing Tube®	3
	Standard Panels & Filters	0		Clogged Filter Switch and Fan Fail Switch®	4
	Hinged Access Panels & Standard Filters	A		Clogged Filter Switch and Discharge	
	Standard panels & 2" Pleated Filters.....	B		Air Sensing Tube®	5
	Hinged Access Panels & 2" Pleated Filters	C		Fan Fail Switch and Discharge Air Sensing Tube®	6
	Standard Panels & 2" MERV 13 Filters.....	D		Clogged Filter and Fan Fail Switches	
	Hinged Access Panels & 2" MERV 13 Filters.....	E		and Discharge Air Sensing Tube®	7
17	Condenser Coil Protection			Novar Return Air Sensor®	8
	Standard Coil.....	0		Novar 3051 Zone Sensor⑦	9
	Standard Coil with Hail Guard	1			
	Black Epoxy Pre-Coated Condenser Coil	2			
	Black Epoxy Pre-Coated Condenser Coil				
	with Hail Guard	3			
	Complete Coat™ Condenser Coil.....	4			
	Complete Coat™ Condenser Coil with Hail Guard	5			

① Enthalpy control not available factory installed with electro-mechanical controls.
 ② Economizer with Barometric Relief is for downflow configured units only. Order Economizer without Barometric Relief for horizontal configuration. Barometric relief for horizontal configured units must be ordered as field installed accessory BAYBARM010A.
 ③ Requires use of Disconnect or Circuit Breaker.
 ④ Standard refrigeration metering device - short orifice.
 ⑤ Frostat cannot be field installed in electro-mechanical units.
 ⑥ High Pressure control is standard on 3 phase units with scroll compressors and in YSC036A.
 ⑦ Not available with BAYFRST001A High Temperature Stat accessory.
 ⑧ The return air smoke detector may not fit up or work properly on the Convertible units when used in conjunction with 3rd party accessories such as bolt on heat wheels, economizers and power exhaust. Do not order the return air smoke detectors when using this type of accessory.
 ⑨ Return Air Smoke Detector cannot be ordered with Novar Controls.
 ⑩ These options are standard when ordering Novar Controls.
 ⑪ This option is used when ordering Novar Controls.
 ⑫ Includes gas piping and shutoff (field assembly required).

⑬ The manual outside air damper will ship factory supplied within the unit, but must be field installed.
 ⑭ Requires Selection of 2" Pleated Filters (Option B or C) for Digit 16.
 ⑮ Through the base electric required when ordering disconnect/circuit breaker options.
 ⑯ Not available with electro-mechanical controls.
 ⑰ Novar Sensor utilized with Digit 21 = (4) Novar 3051 Controls without zone sensor.
 ⑱ Digit 15
Standard Efficiency
 1 Phase = High Efficiency Multispeed Direct Drive Motor
 3 Phase (3-8 ½ Ton) = Belt Drive
 3 Phase (10 Ton) = Ultra High Efficiency Direct Drive Plenum Fan
High Efficiency
 1 Phase = High Efficiency Multispeed Direct Drive Motor
 3 Phase (3-5 Ton) = High Efficiency Multispeed Direct Drive Motor
 3 Phase (3-5 Ton w/Dehumidification) = Belt Drive Motor
 3 Phase (7 ½ -10 Ton) = Ultra High Efficiency Direct Drive Plenum Fan

Table PG-14-A — Accessories

Model Number	Description	Used With ⁽²⁾
BAYABRD001C ⁽³⁾	ReliaTel™ Options Module	All Y*C036-120E, R (ReliaTel™) See Note ⁽⁶⁾
BAYASCT001C ⁽⁹⁾⁽¹¹⁾	Anti-Short-Cycle Timer	All Y*C036-120E, E (Electro Mechanical)
BAYBARM010A ⁽⁵⁾	Barometric Relief	YSC036-060E, YHC036E
BAYBARM011A ⁽⁵⁾	Barometric Relief	YHC048E-120E, YSC072-120E
BAYBCIR001A	Bacnet™ Communication Interface	ReliaTel™ Controller (BCI-R)
BAYCCHT010B	Crankcase Heater	YSC036-048E1, 3
BAYCCHT011B	Crankcase Heater	YSC036-048E4, W
BAYCCHT017A	Crankcase Heater	YSC060E1,3
BAYCCHT018A	Crankcase Heater	YSC060E4,W
ASYSTAT712B ⁽³⁾⁽²⁾	CO ₂ Sensor Kit, Wall Mounted	All Y*C036-120 (ReliaTel™)
ASYSTAT714B ⁽³⁾⁽²⁾	CO ₂ Sensor Kit, Duct Mounted	All Y*C036-120E, R (ReliaTel™)
BAYCURB042A ⁽²⁾	Roof Curb	YHC036E, YSC036-060E
BAYCURB043A ⁽²⁾	Roof Curb	YHC048-072E, YSC072-120E
BAYCURB044A	Roof Curb	YHC090-120E
BAYDFPS003B ⁽³⁾⁽⁹⁾	Clogged Filter Switch	All Y*C036-120E, R (ReliaTel™)
BAYDFPS014A	Clogged Filter Switch (MERV 13 Filter)	All Y*C036-120E, R (ReliaTel™)
BAYDFPS004A ⁽³⁾⁽⁹⁾	Fan Failure Switch	All Y*C036-120E, R (ReliaTel™)
BAYDMPR053A ⁽⁸⁾	0-50% Manual Outside Air Damper	YHC036E, YSC036-060E
BAYDMPR056B ⁽⁸⁾	0-50% Manual Outside Air Damper	YHC048-120E, YSC072-120E
BAYDMPR051A ⁽⁸⁾	0-50% Motorized Outside Air Damper	YSC036-060E_R, YHC036E_R (ReliaTel™)
BAYDMPR052A ⁽⁸⁾	0-50% Motorized Outside Air Damper	YHC036E_E, YSC036-060E_E (Electro Mechanical)
BAYDMPR054A ⁽⁸⁾	0-50% Motorized Outside Air Damper	YHC048-120E_R, YSC072E-120E_R (ReliaTel™)
BAYDMPR055A ⁽⁸⁾	0-50% Motorized Outside Air Damper	YHC048-120E_E, YSC072E-120E_E (Electro Mechanical)
BAYECON085A ⁽³⁾	0-100% Dry Bulb Economizer	YHC036E_R, YSC036-060E_R (ReliaTel™)
BAYECON086A ⁽³⁾	0-100% Dry Bulb Economizer without Barometric Relief	YHC036E_E, YSC036-060E_E (Electro Mechanical)
BAYECON087A ⁽³⁾	0-100% Dry Bulb Economizer	YHC048-120E_R, YSC072-120E_R (ReliaTel™)
BAYECON088A ⁽³⁾	0-100% Dry Bulb Economizer without Barometric Relief	YHC048-120E_E, YSC072-120E_E (Electro Mechanical)
BAYENTH005A ⁽¹⁾	Reference Enthalpy Kit	BAYECON085A, 087A
BAYENTH006A ⁽¹⁾	Comparative Enthalpy Kit	BAYECON085A, 087A
BAYENTH001A	Enthalpy Control (Solid State)	BAYECON086A, 088A
BAYFRST003A ⁽³⁾⁽⁴⁾	High Temperature Stat	All Y*C036-120E
BAYGARD037B	Condenser Coil Hail Guard	YSC036-060E, YHC036E
BAYGARD040B	Condenser Coil Hail Guard	YHC048-060E, YSC072-090E
BAYGARD041B	Condenser Coil Hail Guard	YSC092-120E, YHC072E
BAYGARD070A	Condenser Coil Hail Guard	YHC092-120E
BAYHAKT010C	High Altitude Kit	All Y*C036-120E

⁽¹⁾ Kits contain all necessary parts to achieve desired level of enthalpy control.

⁽²⁾ Lynn Haven Manufacturing has a No-Return policy for this roof curb.

⁽³⁾ For use with ReliaTel™ controlled units only.

⁽⁴⁾ Cannot be used in conjunction with factory installed Smoke Detector option.

⁽⁵⁾ Installs in ductwork for horizontal configuration. For downflow configuration, it installs in the unit's horizontal return duct. See Installer's Guide for more information.

⁽⁶⁾ BAYABRD001C is required when ordering field installed accessories Clogged Filter Switch (BAYDFPS003A), Fan Fail Switch (BAYDFPS004A), Discharge Air Sensing Kit (BAYTUBE004A or BAYTUBE005A) or Evaporator Defrost Control (Frostat) (BAYLOAM020B) Ventilation Override Kit (BAYVNOR001B) unless the following options are factory installed: Frostat, Smoke Detector, Clogged Filter Switch, Fan Failure Switch, Discharge Air Sensing Kit. **These factory installed options include the ReliaTel™ Options Module.**

⁽⁹⁾ Electromechanical controlled units only

⁽¹¹⁾ Activated on Power on.

⁽⁸⁾ Field installed accessory. Requires an economizer.

⁽⁸⁾ The manual outside air damper will ship factory supplied within the unit, but must be field installed.

⁽⁸⁾ A=R-22, E=410A

Table PG-15-A — Accessories

Model Number	Description	Used With ^①
BAYHSMT082A	2 HP Oversized motor kit (208-230/460V)	YSC072E3, 4
BAYHSMT083A	2 HP Oversized motor kit (575V)	YSC072EW
BAYHSMT402A	2 HP Oversized motor kit	YHC072E3, 4
BAYHSMT086A	3 HP Oversized motor kit (208-230/460V)	YSC090-102E3, 4
BAYHSMT087A	3 HP Oversized motor kit (575V)	YSC090-102EW
BAYLSDR009A	Low Static Drive Kit	YHC072E
BAYHSDR012A	High Static Drive Kit	YSC072E
BAYKSKT255B	Quick Start Kit	YSC036-060E1
BAYLMSW001A ^⑩	Power Exhaust Limit Switch	All Y*C036-120E
BAYLOAM020B ^{①⑤}	Evaporator Defrost Control (Frostat)	All Y*C036-120E, R (ReliaTel™)
BAYLPKT029C	LP Conversion Kit	YSC072E,H, YSC090-102,M,H, YSC120,L,M,H YHC072E,H, YHC092-102E,M,H, YHC120E,L,M,H
BAYLPKT050B	LP Conversion Kit	YSC036-060E,L,M,H, YSC072E,L,M, YSC090-102E,L YHC036-060E,L,M,H, YHC072E,L,M, YHC092-102E,L
BAYPWRX070A	Power Exhaust (208-230/3)	YSC036-060E,3, YHC048-060E,3
BAYPWRX071A	Power Exhaust (460/3)	YSC036-060E4, YHC048-060E4
BAYPWRX072A	Power Exhaust (575/3)	YSC036-060EW
BAYPWRX026A ^⑦	Power Exhaust (208-230/3)	Y*C072-120E3
BAYPWRX027A ^⑦	Power Exhaust (460/3)	Y*C072-120E4
BAYPWRX028A ^⑦	Power Exhaust (575/3)	Y*C072-120EW
BAYQACB009A ^{③⑥}	Quick Adapt Curb	YHC036E, YSC036-060E
BAYQACB010A ^{③⑥}	Quick Adapt Curb	YHC036E, YSC036-060E
BAYQACB011A ^{③⑥}	Quick Adapt Curb	YSC072-120E, YHC048-072E
BAYQACB012A ^{③⑥}	Quick Adapt Curb	YSC072-120E, YHC048-072E
BAYQACB013A ^{③⑥}	Quick Adapt Curb	YSC072-120E, YHC048-072E
BAYQACB111A	Quick Adapt Roof Curb	YHC092-120E
BAYQACB112A	Quick Adapt Roof Curb	YHC092-120E
BAYQACB113A	Quick Adapt Roof Curb	YHC092-120E
BAYRTEM001A ^⑩	Fully Featured ReliaTel™ Economizer Logic Model	All Y*C036-120E
BAYSENS016A ^④	Temperature Sensor	All Y*C036-120E
BAYSERV001A ^④	Selective Resistance Service Tester	All Y*C036-120E
BAYSTAT023 ^④	Remote Potentiometer	All Y*C036-120E
BAYTUBE004A ^{④②⑤}	Discharge Air Sensing Kit	YSC036-060E, R, YHC036E, R
BAYTUBE006A ^{④②⑤}	Discharge Air Sensing Kit	YSC072-102E, R, YHC048-072E, R
BAYTUBE400A	Discharge Air Sensing Kit	YSC120E,R
BAYTUBE402A	Discharge Air Sensing Kit	YHC092-120E,R
BAYVNOR001B ^{④③⑤}	Ventilation Override Kit	All Y*C036-120E

① For use with ReliaTel™ microprocessor controlled units only. Must be factory installed for Electromechanical controlled units.
 ② Used for true discharge air sensing in both heating and cooling. Required for supply air tempering.
 ③ Lynn Haven Manufacturing has a No-Return policy for this roof curb.
 ④ For use with ReliaTel™ controlled units only.
 ⑤ BAYABRD001C is required when ordering field installed accessories Clogged Filter Switch (BAYDFPS003A), Fan Fail Switch (BAYDFPS004A), Discharge Air Sensing Kit (BAYTUBE004A or BAYTUBE005A) or Evaporator Defrost Control (Frostat) (BAYLOAM020B) Ventilation Override Kit (BAYVNOR001B) unless the following options are factory installed: Frostat, Smoke Detector, Clogged Filter Switch, Fan Failure Switch, Discharge Air Sensing Kit. **These factory installed options include the ReliaTel™ Options Module.**
 ⑥ BAYQACB009A adapts YCD units BAYCURB021B to accept Y°C 3-5 ton unit. BAYQACB010A adapts YCD units BAYCURB022B to accept Y°C 3-5 ton unit. BAYQACB012A adapts YCD units BAYCURB025B to accept Y°C 3-5 ton unit. BAYQACB013A adapts YCD units BAYCURB026B to accept Y°C 6-10 ton unit. BAYQACB011A adapts YCD units BAYCURB022B to accept Y°C 6-10 ton unit.
 ⑦ Power Exhaust cannot be used with Barometric Relief. Order Economizer without Barometric Relief.
 ⑧ Field installed accessory. Requires an economizer.
 ⑨ E=410A
 ⑩ When ordering a field installed power exhaust on a unit with electromechanical controls, BAYLMSW001A must be ordered.
 ⑪ If any version of comparative or reference enthalpy is ordered, BAYRTEM001A does not need to be ordered.

Packaged Gas/Electric Convertible 3-10 Tons, R-410A Zone Sensors / Thermostats

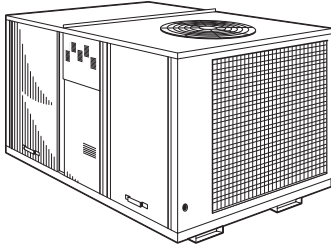
Table PG-16-A — Zone Sensors for ReliaTel™ Controlled Units

Model Number	Description	Used With
ASYSTAT106A	Single Setpoint Manual Changeover	Y*C036-120E, R
ASYSTAT107A	Single Setpoint	Y*C036-120E, R
ASYSTAT108A	Dual Setpoint Manual or Auto Changeover	Y*C036-120E, R
ASYSTAT109A	Dual Setpoint Changeover Sensor	Y*C036-120E, R
ASYSTAT111A	Remote Room Sensor	Y*C036*120E, R
ASYSTAT777A	Programmable Night Setback w/System Function Lights (Vertical Style)	Y*C036-120E, R
ASYSTAT708A	Programmable Night Setback w/System Function Lights	Y*C036-120E, R
ASYSTAT710A	Wall Mounted Humidity Sensor	Y*C036-120E
ASYSTAT711A	Duct Mounted Humidity Sensor	Y*C036-120E
BAYMTPL103A	Retrofit Wall Cover Plate Kit 7.25" x 6.0"	ASYSTAT666C

For additional Controls Information:

See ReliaTel™ Control features on PC-15 and PC-16.

Packaged Gas/Electric with ReliaTel™ Controls 12½-25 Tons, R-410A



12½ - 25 Ton YCD-E — Downflow
12½ - 25 Ton YCH-E — Horizontal

- Scroll compressors on all units
- **ReliaTel™** control features are listed on page PC-15
- Operating charge of R-410A
- Built-in anti-short cycle timer, time delay relay and minimum on time controls
- Low Ambient to 0°F standard
- High efficiency drum and tube heat exchanger
- Color coded and numbered wiring
- Two inch throwaway filters on both YCH and YCD to clean air and keep coil maintenance low
- Simple U-shaped airflow pattern results in very low airside energy requirement
- Quick-Access doors and single side access make servicing much faster for lower maintenance costs
- Quick-adjust idler arm pulley. Adjust belt tension, change belts, adjust airflow quickly
- High efficiency gas heat with hot surface ignition for low heating energy costs, low maintenance and high reliability
- Sloped sheet metal drain pans
- **5-year limited compressor and heat exchanger warranty (12½ -17½ tons)**
- **1-year limited compressor and heat exchanger warranty (20 tons)**

Table PG-17-A — R-410A

Tons	Unit Model No.	Power Supply Volts/Phase/Hz	Performance EER ^①	Cooling Capacity (Btuh)	Heating Output Capacity (Btuh)	Dimensions (in.) H x W x L	Shipping Weight (lbs.)	MCA**	Max Fuse Size or Max Circuit Breaker**	Downflow ^① Roofcurb
YC* – Three Phase Low Heat										
12½	YC*151E3L0A	208-230/3/60	12.0	150,000	122,000	54 x 85 ⁵ / ₁₆ x 122 ⁵ / ₁₆	2610	65	80	BAYCURB027B
15	YC*181E3L0B	208-230/3/60	12.0	181,000	203,000	54 x 85 ⁵ / ₁₆ x 122 ⁵ / ₁₆	2613	72	90	BAYCURB027B
17½	YC*211E3L0A	208-230/3/60	12.0	215,000	203,000	64 ¹ / ₈ x 85 ⁵ / ₁₆ x 122 ⁵ / ₁₆	2677	98	125	BAYCURB027B
20	YC*241E3L0A	208-230/3/60	11.0	264,000	203,000	64 ¹ / ₈ x 85 ⁵ / ₁₆ x 122 ⁵ / ₁₆	2680	105	125	BAYCURB027B
25	YC*301E3L0A	208-230/3/60	11.0/10.6	285,000 ^②	203,000	64 ¹ / ₈ x 85 ⁵ / ₁₆ x 122 ⁵ / ₁₆	2684	122	150	BAYCURB027B
YC* – Three Phase High Heat										
12½	YC*151E4L0A	460/3/60	12.0	150,000	122,000	54 x 85 ⁵ / ₁₆ x 122 ⁵ / ₁₆	2610	31	40	BAYCURB027B
15	YC*181E4L0B	460/3/60	12.0	181,000	203,000	54 x 85 ⁵ / ₁₆ x 122 ⁵ / ₁₆	2613	37	45	BAYCURB027B
17½	YC*211E4L0A	460/3/60	12.0	215,000	203,000	64 ¹ / ₈ x 85 ⁵ / ₁₆ x 122 ⁵ / ₁₆	2677	47	60	BAYCURB027B
20	YC*241E4L0A	460/3/60	11.0	264,000	203,000	64 ¹ / ₈ x 85 ⁵ / ₁₆ x 122 ⁵ / ₁₆	2680	52	70	BAYCURB027B
25	YC*301E4L0A	460/3/60	11.0/10.6	285,000 ^②	203,000	64 ¹ / ₈ x 85 ⁵ / ₁₆ x 122 ⁵ / ₁₆	2684	61	70	BAYCURB027B
12½	YC*151EWL0A	575/3/60	12.0	150,000	122,000	54 x 85 ⁵ / ₁₆ x 122 ⁵ / ₁₆	2610	25	30	BAYCURB027B
15	YC*181EWL0B	575/3/60	12.0	181,000	203,000	54 x 85 ⁵ / ₁₆ x 122 ⁵ / ₁₆	2613	31	40	BAYCURB027B
17½	YC*211EWL0A	575/3/60	12.0	215,000	203,000	64 ¹ / ₈ x 85 ⁵ / ₁₆ x 122 ⁵ / ₁₆	2677	38	50	BAYCURB027B
20	YC*241EWL0A	575/3/60	11.0	264,000	203,000	64 ¹ / ₈ x 85 ⁵ / ₁₆ x 122 ⁵ / ₁₆	2680	42	50	BAYCURB027B
25	YC*301EWL0A	575/3/60	11.0/10.6	285,000 ^②	203,000	64 ¹ / ₈ x 85 ⁵ / ₁₆ x 122 ⁵ / ₁₆	2684	49	60	BAYCURB027B
12½	YC*151E3H0A	208-230/3/60	12.0	150,000	203,000	54 x 85 ⁵ / ₁₆ x 122 ⁵ / ₁₆	2610	65	80	BAYCURB027B
15	YC*181E3H0B	208-230/3/60	12.0	181,000	284,000	54 x 85 ⁵ / ₁₆ x 122 ⁵ / ₁₆	2613	72	90	BAYCURB027B
17½	YC*211E3H0A	208-230/3/60	12.0	215,000	284,000	64 ¹ / ₈ x 85 ⁵ / ₁₆ x 122 ⁵ / ₁₆	2677	98	125	BAYCURB027B
20	YC*241E3H0A	208-230/3/60	11.0	264,000	324,000	64 ¹ / ₈ x 85 ⁵ / ₁₆ x 122 ⁵ / ₁₆	2680	105	125	BAYCURB027B
25	YC*301E3H0A	208-230/3/60	11.0/10.6	285,000	324,000	64 ¹ / ₈ x 85 ⁵ / ₁₆ x 122 ⁵ / ₁₆	2684	122	150	BAYCURB027B
12½	YC*151E4H0A	460/3/60	12.0	150,000	203,000	54 x 85 ⁵ / ₁₆ x 122 ⁵ / ₁₆	2610	31	40	BAYCURB027B
15	YC*181E4H0B	460/3/60	12.0	181,000	284,000	54 x 85 ⁵ / ₁₆ x 122 ⁵ / ₁₆	2613	37	45	BAYCURB027B
17½	YC*211E4H0A	460/3/60	12.0	215,000	284,000	64 ¹ / ₈ x 85 ⁵ / ₁₆ x 122 ⁵ / ₁₆	2677	47	60	BAYCURB027B
20	YC*241E4H0A	460/3/60	11.0	264,000	324,000	64 ¹ / ₈ x 85 ⁵ / ₁₆ x 122 ⁵ / ₁₆	2680	52	70	BAYCURB027B
25	YC*301E4H0A	460/3/60	11.0/10.6	285,000	324,000	64 ¹ / ₈ x 85 ⁵ / ₁₆ x 122 ⁵ / ₁₆	2684	61	70	BAYCURB027B
12½	YC*151EWH0A	575/3/60	12.0	150,000	203,000	54 x 85 ⁵ / ₁₆ x 122 ⁵ / ₁₆	2610	25	30	BAYCURB027B
15	YC*181EWH0B	575/3/60	12.0	181,000	284,000	54 x 85 ⁵ / ₁₆ x 122 ⁵ / ₁₆	2613	31	40	BAYCURB027B
17½	YC*211EWH0A	575/3/60	12.0	215,000	284,000	64 ¹ / ₈ x 85 ⁵ / ₁₆ x 122 ⁵ / ₁₆	2677	38	50	BAYCURB027B
20	YC*241EWH0A	575/3/60	11.0	264,000	324,000	64 ¹ / ₈ x 85 ⁵ / ₁₆ x 122 ⁵ / ₁₆	2680	42	50	BAYCURB027B
25	YC*301EWH0A	575/3/60	11.0/10.6	285,000	324,000	64 ¹ / ₈ x 85 ⁵ / ₁₆ x 122 ⁵ / ₁₆	2684	49	60	BAYCURB027B

① For Downflow units only.

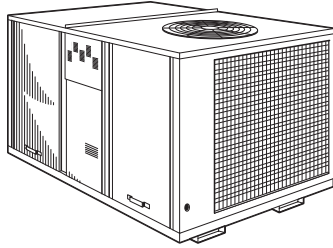
② 278,000 in the Horizontal airflow configuration.

③ Downflow/Horizontal

* Digit 3 D=Downflow or H=Horizontal.

** Information subject to change. Please confirm with current Product Data/Service Facts for current factory production.

Packaged Gas/Electric with ReliaTel™ Controls 12½-25 Tons, R-410A



12½ - 25 Ton YCD-E — Downflow
12½ - 25 Ton YCH-E — Horizontal

- Scroll compressors on all units
- **ReliaTel™** control features are listed on page PC-15
- Operating charge of R-410A
- Built-in anti-short cycle timer, time delay relay and minimum on time controls
- Low Ambient to 0°F standard
- High efficiency drum and tube heat exchanger
- Color coded and numbered wiring
- Two inch throwaway filters on both YCH and YCD to clean air and keep coil maintenance low
- Simple U-shaped airflow pattern results in very low airside energy requirement
- Quick-Access doors and single side access make servicing much faster for lower maintenance costs
- Quick-adjust idler arm pulley. Adjust belt tension, change belts, adjust airflow quickly
- High efficiency gas heat with hot surface ignition for low heating energy costs, low maintenance and high reliability
- Sloped sheet metal drain pans
- **5-year limited compressor and heat exchanger warranty (12½ -17½ tons)**
- **1-year limited compressor and heat exchanger warranty (20 tons)**

Table PG-18-A — R-410A

Tons	Unit Model No.	Power Supply Volts/Phase/Hz	Performance EER (30)	Cooling Capacity (Btuh)	Heating Capacity (Btuh)	Dimensions (in.) H x W x L	Shipping Weight (lbs.)	MCA**	Max Fuse Size or Max Circuit Breaker**	Downflow ^① Roofcurb
YC* – Three Phase Low Heat										
12½	YC*150E3L0B	208-230/3/60	11.0	158,000	122,000	50 ¹ / ₈ x 71 ⁵ / ₈ x 107 ⁵ / ₁₆	1952	68	80	BAYCURB026B
15	YC*180E3L0B	208-230/3/60	11.0	189,000	203,000	54 x 85 ⁵ / ₁₆ x 122 ⁵ / ₁₆	2474	78	100	BAYCURB027B
17½	YC*210E3L0B	208-230/3/60	11.0	213,000	203,000	54 x 85 ⁵ / ₁₆ x 122 ⁵ / ₁₆	2573	95	125	BAYCURB027B
20	YC*240E3L0B	208-230/3/60	10.2	250,000	203,000	54 x 85 ⁵ / ₁₆ x 122 ⁵ / ₁₆	2575	104	125	BAYCURB027B
25	YC*300E3L0B	208-230/3/60	10.0	282,000	203,000	54 x 85 ⁵ / ₁₆ x 122 ⁵ / ₁₆	2583	124	150	BAYCURB027B
YC* – Three Phase High Heat										
12½	YC*150E4L0B	460/3/60	11.0	158,000	122,000	50 ¹ / ₈ x 71 ⁵ / ₈ x 107 ⁵ / ₁₆	1952	32	40	BAYCURB026B
15	YC*180E4L0B	460/3/60	11.0	189,000	203,000	54 x 85 ⁵ / ₁₆ x 122 ⁵ / ₁₆	2474	37	45	BAYCURB027B
17½	YC*210E4L0B	460/3/60	11.0	213,000	203,000	54 x 85 ⁵ / ₁₆ x 122 ⁵ / ₁₆	2573	47	60	BAYCURB027B
20	YC*240E4L0B	460/3/60	10.2	250,000	203,000	54 x 85 ⁵ / ₁₆ x 122 ⁵ / ₁₆	2575	50	60	BAYCURB027B
25	YC*300E4L0B	460/3/60	10.0	282,000	203,000	54 x 85 ⁵ / ₁₆ x 122 ⁵ / ₁₆	2583	59	70	BAYCURB027B
YC* – Three Phase Low Heat										
12½	YC*150EWL0B	575/3/60	11.0	158,000	122,000	50 ¹ / ₈ x 71 ⁵ / ₈ x 107 ⁵ / ₁₆	1952	25	30	BAYCURB026B
15	YC*180EWL0B	575/3/60	11.0	189,000	203,000	54 x 85 ⁵ / ₁₆ x 122 ⁵ / ₁₆	2474	32	40	BAYCURB027B
17½	YC*210EWL0B	575/3/60	11.0	213,000	203,000	54 x 85 ⁵ / ₁₆ x 122 ⁵ / ₁₆	2573	37	50	BAYCURB027B
20	YC*240EWL0B	575/3/60	10.2	250,000	203,000	54 x 85 ⁵ / ₁₆ x 122 ⁵ / ₁₆	2575	40	50	BAYCURB027B
25	YC*300EWL0B	575/3/60	10.0	282,000	203,000	54 x 85 ⁵ / ₁₆ x 122 ⁵ / ₁₆	2583	48	60	BAYCURB027B
YC* – Three Phase High Heat										
12½	YC*150E3H0B	208-230/3/60	11.0	158,000	203,000	50 ¹ / ₈ x 71 ⁵ / ₈ x 107 ⁵ / ₁₆	1952	68	80	BAYCURB026B
15	YC*180E3H0B	208-230/3/60	11.0	189,000	284,000	54 x 85 ⁵ / ₁₆ x 122 ⁵ / ₁₆	2474	78	100	BAYCURB027B
17½	YC*210E3H0B	208-230/3/60	11.0	213,000	284,000	54 x 85 ⁵ / ₁₆ x 122 ⁵ / ₁₆	2573	95	125	BAYCURB027B
20	YC*240E3H0B	208-230/3/60	10.2	250,000	324,000	54 x 85 ⁵ / ₁₆ x 122 ⁵ / ₁₆	2575	104	125	BAYCURB027B
25	YC*300E3H0B	208-230/3/60	10.0	282,000	324,000	54 x 85 ⁵ / ₁₆ x 122 ⁵ / ₁₆	2583	124	150	BAYCURB027B
YC* – Three Phase High Heat										
12½	YC*150E4H0B	460/3/60	11.0	158,000	203,000	50 ¹ / ₈ x 71 ⁵ / ₈ x 107 ⁵ / ₁₆	1952	32	40	BAYCURB026B
15	YC*180E4H0B	460/3/60	11.0	189,000	284,000	54 x 85 ⁵ / ₁₆ x 122 ⁵ / ₁₆	2474	37	45	BAYCURB027B
17½	YC*210E4H0B	460/3/60	11.0	213,000	284,000	54 x 85 ⁵ / ₁₆ x 122 ⁵ / ₁₆	2573	47	60	BAYCURB027B
20	YC*240E4H0B	460/3/60	10.2	250,000	324,000	54 x 85 ⁵ / ₁₆ x 122 ⁵ / ₁₆	2575	50	60	BAYCURB027B
25	YC*300E4H0B	460/3/60	10.0	282,000	324,000	54 x 85 ⁵ / ₁₆ x 122 ⁵ / ₁₆	2583	59	70	BAYCURB027B
YC* – Three Phase Low Heat										
12½	YC*150EWH0B	575/3/60	11.0	158,000	203,000	50 ¹ / ₈ x 71 ⁵ / ₈ x 107 ⁵ / ₁₆	1952	25	30	BAYCURB026B
15	YC*180EWH0B	575/3/60	11.0	189,000	284,000	54 x 85 ⁵ / ₁₆ x 122 ⁵ / ₁₆	2474	32	40	BAYCURB027B
17½	YC*210EWH0B	575/3/60	11.0	213,000	284,000	54 x 85 ⁵ / ₁₆ x 122 ⁵ / ₁₆	2573	37	50	BAYCURB027B
20	YC*240EWH0B	575/3/60	10.2	250,000	324,000	54 x 85 ⁵ / ₁₆ x 122 ⁵ / ₁₆	2575	40	50	BAYCURB027B
25	YC*300EWH0B	575/3/60	10.0	282,000	324,000	54 x 85 ⁵ / ₁₆ x 122 ⁵ / ₁₆	2583	48	60	BAYCURB027B

① For Downflow units only.

* Digit 3 D=Downflow or H=Horizontal.

** Information subject to change. Please confirm with current Product Data/Service Facts for current factory production.

Table PG-19-A — Factory Installed Accessories^{①②}

For Complete list of all Factory Installed Options, please refer to the FIOPS section of this book.

Digit	Description	Order Number	Used With
1-9	Main Assembly (see previous page)		
10	Factory Installed Options		
	No Options	0	YC*150-301
	Downflow Economizer ^③	A	YCD150-301
	Oversized Motor	B	YC*150-241
	Downflow Economizer and Oversized Motor ^③	C	YCD150-241
	TXV/Face - Split Evaporator	H	YCD151, 181, 211, 241, 301
	Oversized Motor and TXV/Face - Split Evaporator	J	YCD151, 181, 211, 241
	Downflow Economizer, Oversized Motor and TXV/Face Split Evaporator ^③	K	YCD151, 181, 211, 241
	Downflow Economizer with TXV/Face - Split Evaporator ^③	L	YCD151, 181, 211, 241, 301
	Reheat Coil ^④	M	YCD151, 181, 241
	Downflow Economizer with Reheat Coil ^{③④}	N	YCD151, 181, 241
	Oversized Motor and Reheat Coil ^④	P	YCD151, 181, 241
	Downflow Economizer, Oversized Motor and Reheat Coil ^{③④}	R	YCD151, 181, 241
11-12	Minor Design and Service Sequence	**	

① Price includes accessory and factory installation.

② Four (4) week shipping approximately.

③ Some field set up required.

④ All 10th digit model numbers including reheat coil (M,N,P,R) require additional factory installed options; ReliaTel™ options module (FIYABRD002B), Froststat (FIYLOAM023A or FIYLOAM031A), and 2" pleated filters (refer to FIOPS section for appropriate model number usage). For these or any Factory Installed Options not included in 10th digit model number, digits 1-3 must be YFD.

Table PG-20-A — Field Installed Accessories — For complete list of of All Factory Installed Options refer to FIOPS section of this book.

Model Number	Description	Used With
BAYABRD002B [Ⓢ]	ReliaTel™ Options Module	YC*150E-YC*301E
BAYBCIR001A	Bacnet™ Communication Interface	ReliaTel™ Controller (BCI-R)
ASYSTAT713A	CO ₂ Sensor Wall Mounted	YC*150E-YC*301E
ASYSTAT715A	CO ₂ Sensor Duct Mounted	YC*150E-YC*301E
BAYCURB026B ^{ⓈⓈ}	Downflow Only Roof Curb	YCD150E
BAYCURB027B ^{ⓈⓈ}	Downflow Only Roof Curb	YCD151E-YCD301E, YCD180E-300E
BAYDFPS005A ^{ⓈⓈ}	Clogged Filter Switch (MERV 7)	YC*150E-YC*301E
BAYDFPS006A ^{ⓈⓈ}	Fan Failure Switch	YC*150E-YC*301E
BAYDFPS031A	Clogged Filter Switch (MERV 13)	YC*150E-YC*301E
BAYDMPR029C	0-25% Manual Outside Air Damper	YC*150E-YC*301E
BAYDMPR057A	0-50% Motorized Outside Air Damper	YC*150E
BAYDMPR058A	0-50% Motorized Outside Air Damper	YC*151E-YC*301E, YCD180E-300E
BAYECON089A [Ⓢ]	Downflow Economizer with Barometric Relief	YCD150E
BAYECON090A [Ⓢ]	Downflow Economizer with Barometric Relief	YCD151E-YCD301E, YCD180E-300E
BAYECON091A	Horizontal Economizer	YCH150E
BAYECON092A	Horizontal Economizer	YCH151E-YCH301E, YHC180E-300E
BAYENTH007A ^{ⓈⓈ}	Reference Enthalpy Kit	All BAYECON089A-092A
BAYENTH008A ^{ⓈⓈ}	Comparative Enthalpy Kit	All BAYECON089A-092A
BAYFRST003A	High Temperature Stat	YC*150E-YC*301E
BAYGARD044B [Ⓢ]	Tool-less Hail Guard	YC*150E
BAYGARD045A [Ⓢ]	Tool-less Hail Guard	YC*151E, YC*181E, YC*180E, YC*210E, YC*300E
BAYGARD050A [Ⓢ]	Tool-less Hail Guard	YC*211, YC*241, YC*301
BAYGARD051A	Tool-less Hail Guard	YC*240E
BAYHSDR005B [Ⓢ]	High Static Drive	YC*150E, YC*180E, YC*151E, YC*181E
BAYHSDR010A	High Static Drive	YC*211E, YC*241E, YC*300E
BAYHSDR011A	High Static Drive	YC*210, YC*240, YC*301E

- Ⓢ Kit contains all necessary parts to achieve desired level of Enthalpy Control.
- Ⓢ Reference Enthalpy senses outside temperature/humidity.
- Ⓢ Comparative Enthalpy senses outside temperature/humidity and inside return/mixed air temperature/humidity.
- Ⓢ High static drive and oversized motors are mutually exclusive, Do Not Combine.
- Ⓢ See Accessory IOM for operational characteristics.
- Ⓢ Clarksville Manufacturing has a no-return policy for this roof curb.
- Ⓢ BAYABRD002 is required when ordering BAYDFPS005A or 006A, BAYTUBE008A or 009A and BAYLOAM023A or BAYVNOR002B.
- Ⓢ Field or factory installed option.
- * Either horizontal or downflow models

See ReliaTel™ and Micro Control features on PC-15 and PC-16.

Table PG-21-A — Field Installed Accessories — For complete list of of All Factory Installed Options refer to FIOPS section of this book.

Model Number	Description	Used With
BAYHSMT039B①④ 5HP Oversized Motor Kit (208-230/460V)	YC*150E
BAYHSMT040B④ 5HP Oversized Motor Kit (575V).....	YC*150E
BAYHSMT055B①④ 5HP Oversized Motor Kit (208-230/460V)	YC*180
BAYHSMT042A②④ 7-1/2HP Oversized Motor Kit (575V)	YC*210E, YC*240E, YC*211E, YC*241E
BAYHSMT072A②④ 7-1/2HP Oversized Motor Kit (575V)	YC*180E, YC*181E
BAYHSMT098A②④ 7-1/2HP Oversized Motor Kit (230V)	YC*211E, YC*241E
BAYHSMT099A②④ 7-1/2HP Oversized Motor Kit (460V)	YC*211E, YC*241E
BAYLOAM023A③ Evaporator Defrost Control	YC*150E, YC*151E, YC*180E, YC*181E, YC*210E, YC*240E, YC*300E
BAYLOAM031A Evaporator Defrost Control	YC*211E, YC*241E, YC*301E
BAYLPKT018A LP Conversion Kit	YC*150E-YC*301E
BAYLSDR004A② Low Static Drive	YC*150E, YC*180E, YC*210E, YC*211E, YC*240E, YC*241E
BAYLSDR002A② Low Static Drive	YC*151E, YC*181E, YC*300E
BAYPWRX029A Power Exhaust for all Voyagers 12½-25 Ton 230V units	Downflow Only
BAYPWRX030A Power Exhaust for all Voyagers 12½-25 Ton 460V units	Downflow Only
BAYPWRX031A Power Exhaust for all Voyagers 12½-25 Ton 575V units	Downflow Only
BAYSERV001A Selective Resistance Service Tester.....	YC*150E-YC*301E
BAYSTAT023 Remote Potentiometer	YC*150E-YC*301E
BAYTUBE008A③④ Discharge Air Sensing Kit.....	YCD150E-YCD301E
BAYTUBE009A③④ Discharge Air Sensing Kit.....	YCH150E-YCH301E
BAYQACB044A Adapter Curb	BAYCURB026A/B to BAYCURB027A/B
BAYVNOR002B③ Ventilation Override Kit	YC*150E-YC*301E

① High static drive and oversized motors are mutually exclusive, Do Not Combine.

② Low static drive and oversized motors are mutually exclusive, Do Not Combine.

③ BAYABRD002 is required when ordering BAYDFPS005A or 006A, BAYTUBE008A or 009A and BAYLOAM023A, BAYLOAM031A or BAYVNOR002B.

④ Field or factory installed option.

* Either horizontal or downflow models

See ReliaTel™ and Micro Control features on PC-15 and PC-16.

Packaged Gas/Electric with ReliaTel™ Controls 12½-25 Tons, R-22, R-410A Zone Sensors / Thermostats

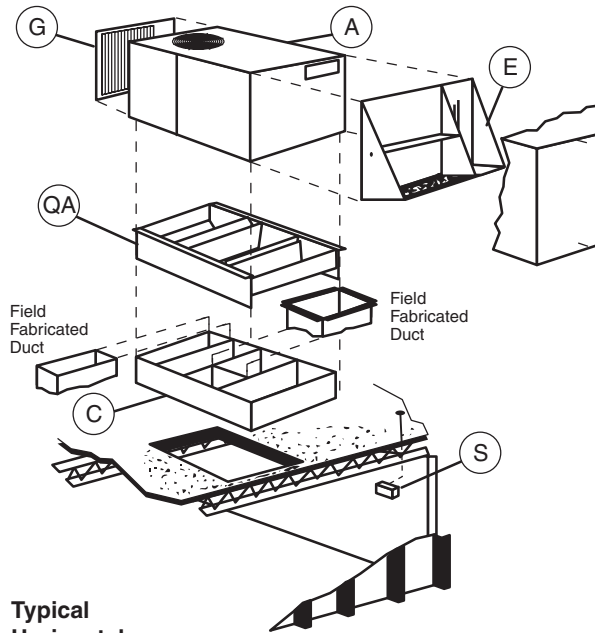
Table PG-22-A — Zone Sensors — ReliaTel™

Model Number	Description	Used With
ASYSTAT106A	Single Setpoint Manual Changeover	YC*150-301
ASYSTAT108A	Dual Setpoint Manual or Automatic Changeover	YC*150-301
ASYSTAT111A	Remote Room Sensor	ASYSTAT777A
ASYSTAT777A	Programmable Night Setback	YC*150-301
ASYSTAT710A	Wall Mounted Humidity Sensor	YFD151,181,241 (with Reheat)
ASYSTAT711A	Duct Mounted Humidity Sensor	YFD151,181,241 (with Reheat)
BAYMTPL103A	Retrofit Wall Cover Plate Kit 7.25" x 6.0"	ASYSTAT777A

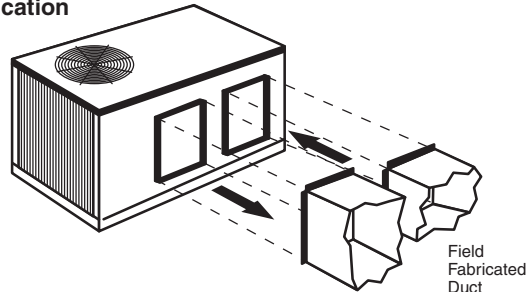
Packaged Unit Accessories 12 1/2-25 Tons

12 1/2 – 25 Ton Packaged Gas/Electric,
Electric/Electric and Heat Pump

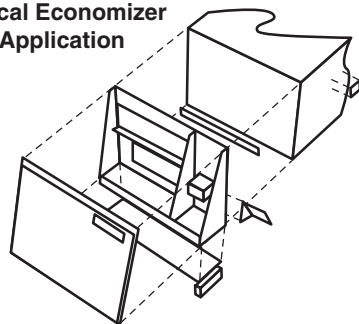
Typical Downflow Application



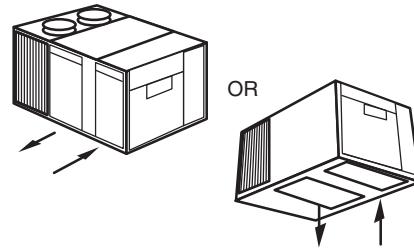
Typical Horizontal Application



Typical Economizer Application



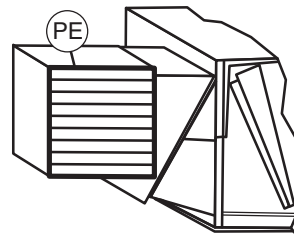
Dedicated Airflow Design



**Factory Supplied
Accessories**

- (A) Unit
YCD/H, TCD/H, WCD/H
- (G) Coil Guard (BAYGARD)
- (E) Economizer (Downflow and Horizontal) (BAYECON)
- (D) Fresh Air Damper (BAYDMPR)
Manual (0-25%) Motorized (0-50%)
- (S) Sensor/Thermostat
- (C) Curb (BAYCURB)
- (QA) Quick Adapt Curb...Field Supplied (BAYCURB)
- (PE) Power Exhaust (BAYPWRX)

Power Exhaust Accessory



Factory Installed Options Commercial Packaged Units 12 ½-25 Tons*

American Standard Heating & Air Conditioning offers a variety of factory installed options (FIOPS) for the light commercial packaged rooftop product line. These options are in addition to the standard factory installed options, i.e., downflow economizer and oversized motors.

Black Epoxy Coated Condenser Coil – Black Epoxy coil protection is a factory-applied, thermoset vinyl coating that is bonded to the aluminum fin stock prior to the fin stamping process. The pre-coated coils are an economical option for protection in mildly corrosive environments.

Dehumidification Option – The dehumidification (hot gas reheat) option is a factory-installed option that provides increased dehumidification. The option consists of a hot-gas reheat coil located on the leaving air side of the evaporator coil prepped and circuited. The option is equipped with crankcase heater(s), low pressure switch(es), Froststat™, and a thermostatic expansion valve(s) (TXV) as standard.

Differential Pressure Switches – A dedicated differential pressure switch is available to achieve active fan failure indication and/or clogged filter indication. These indications will be registered on a zone sensor with status indication lights. This option is available for all 3 – 25 ton models.

Electric Heaters – Factory installed and wired electric heaters are available for all 230, 460, and 575 volt 3-phase horizontal and downflow 3 – 25 ton models. If ordering the Through the Base Electrical option with an Electric Heater, the heater must be factory installed.

Hinged Access Doors – Sheet metal hinges are available factory installed on the Filter/Evaporator Access Door and the Compressor/Control Access Door of all 3 – 25 ton units.

Powered or Unpowered Convenience Outlet – This option is a GFCI, 120 volt/15 amp, 2 plug, convenience outlet, either powered or unpowered. When the convenience outlet is powered, a service receptacle disconnect will be available. The convenience outlet is powered from the line side of the disconnect or circuit breaker, and therefore will not be affected by the position of the disconnect or circuit breaker.

This option is available for all 3 – 25 ton units and can only be ordered when the Through the Base Electrical with either the Disconnect Switch or Circuit Breaker option is ordered.

Reference or Comparative Enthalpy – When a factory installed Downflow Economizer is ordered, an option will be to factory install either Reference or Comparative Enthalpy Control.

Through the Base Electrical with Circuit Breaker – This option is a factory installed thermal magnetic, molded case, HACR Circuit Breaker with provisions for through the base electrical connections. The circuit breaker will be installed in a water tight enclosure in the unit with access through a swinging door. Factory wiring will be provided from the switch to the unit high voltage terminal block. The circuit breaker will provide overcurrent protection, be sized per NEC and UL guidelines, and be agency recognized by UL/CSA.

This option is available for all 3 – 25 ton downflow models. Either a Circuit Breaker or a Disconnect Switch (not both) must be ordered when ordering the Through the Base Electrical option.

Through the Base Electrical with Disconnect Switch – Factory installed 3-pole, molded case disconnect switch with provisions for through the base electrical connections are available. The disconnect switch will be installed in the unit in a water tight enclosure with access through a swinging door. Factory wiring will be provided from the switch to the unit high voltage terminal block. The switch will be UL/CSA agency recognized. Note: The disconnect switch will be sized per NEC and UL guidelines but will not be used in place of unit overcurrent protection.

This option is available for all 230, 460 and 575 volt, 3-phase 3 – 25 ton models. Either a Circuit Breaker or a Disconnect Switch (not both) must be ordered when ordering the Through the Base Electrical option.

Through the Base Gas Piping – With this option, provision will be made in the unit for installing through the base gas piping. The option will have all piping necessary including a pre-assembled, black steel, manual gas shut-off valve, elbows and union. The manual shut-off valve shall include a 1/8 inch NPT pressure tap. This assembly will require minor field labor to install.

This option is available for all 3 – 25 ton gas/electric units, and can only be ordered when the Through the Base Electrical Option with Disconnect or Circuit Breaker is ordered.

Discharge Air Sensing Kit – This option provides true discharge air sensing in heating models. This sensor is a status indicator readable through Tracer® or Tracker®. The kit is functional only with the ReliaTel™ Module.

Hail Guards – Hail protection quality coil guards can be either factory or field-installed for condenser coil protection.

High Efficiency Motors – This option is available with efficiency ratings from 86.5 up to 91.0. Not available for all models.

Supply and/or Return Air Smoke Detector – With this option installed, if smoke is detected, all unit operation will be shut down. Reset will be manual at the unit. Return Air Smoke Detectors require minimum allowable airflow when used with certain models. See the Installation, Operation, and Maintenance (IOM) manual for the models affected and the minimum allowable airflow required. This option is available on all 12½-25 tons models.

Froststat – This factory or field installed option is to be utilized as a safety device. The Froststat opens when temperatures on the evaporator coil fall below 10°F. The temperature will need to rise to 50°F before closing. This option should be utilized in low airflow or high outside air applications.

Through the Base Utilities Access – An electrical service entrance shall be provided allowing electrical access for both control and main power connection inside the curb and through the base of the unit. Option will allow for field installation of liquid-tight conduit and an external field installed disconnect switch.

Novar Unit Controls – Novar rooftop unit controls will be factory installed and tested. The Novar electronic thermostat module will interface to the unit microprocessor and will control the unit to the desired stage of cooling or heating. The Novar electronic thermostat module will monitor the following unit information: fan failure status, cooling stage 1-on status, cooling stage 2 on status, heating on status, clogged filter status or unit shutdown status, and discharge air temperature. The Novar electronic thermostat module will have the ability to enable the unit mounted economizer.

Novar Return Air Sensor – This option, when used in conjunction with Novar Controls, will contain a factory provided wired zone temperature sensor located in the return air stream.

Two Inch Pleated Filters – Two inch pleated media filters shall be available on all 12½-25 ton models.

Thermal Expansion Valve (TXV) and Face Split Evaporator – All units shall have a short orifice refrigerate control metering device. For more exact refrigerant flow, when using units in low airflow or high outside air applications, a Thermal Expansion Valve option shall be available. This is available on High Efficiency Gas/Cooling units only.

Before Ordering:

Not all factory options are offered for single phase units.

Please contact the Clarksville, TN Support Team for latest updates of factory installed options and ordering instructions.

Call (931) 645-6471 and ask to be connected to the Light Commercial Product Support Team. (888) 279-0543

* Some FIOPs available only for certain tonnages, unit functions, or efficiencies.

Downflow/Horizontal Packaged Cooling, Packaged Gas/Electric/Packaged Heat Pump Factory Installed Options (FIOPS)

Table FIOPS-2-A — Accessories

Model		
Number	Description	Used With
Black Epoxy Coated Condenser Coil		
FIYCOIL205A	Black Epoxy Coated Condenser Coil	T/Y/WC*150
FIYCOIL206A	Black Epoxy Coated Condenser Coil	T/YC*151,180,210
FIYCOIL207A	Black Epoxy Coated Condenser Coil	WC*180
FIYCOIL209A	Black Epoxy Coated Condenser Coil	T/YC*181,211,240,241,301, WC*240
FIYCOIL210A	Black Epoxy Coated Condenser Coil	T/YC*300
Circuit Breaker		
Must be used with Through-the-Base Electrical option.		
FIYUCB3175A	Unit Mounted Circuit Breaker	
FIYUCB3200A	Unit Mounted Circuit Breaker	
FIYUCB3225A	Unit Mounted Circuit Breaker	
FIYUCB3250A	Unit Mounted Circuit Breaker	
FIYUCB4015A	Unit Mounted Circuit Breaker	
FIYUCB4020A	Unit Mounted Circuit Breaker	
FIYUCB4025A	Unit Mounted Circuit Breaker	
FIYUCB4030A	Unit Mounted Circuit Breaker	
FIYUCB4035A	Unit Mounted Circuit Breaker	
FIYUCB4040A	Unit Mounted Circuit Breaker	
FIYUCB4045A	Unit Mounted Circuit Breaker	
FIYUCB4050A	Unit Mounted Circuit Breaker	
FIYUCB4060A	Unit Mounted Circuit Breaker	
FIYUCB4070A	Unit Mounted Circuit Breaker	
FIYUCB4080A	Unit Mounted Circuit Breaker	
FIYUCB4090A	Unit Mounted Circuit Breaker	
FIYUCB4100A	Unit Mounted Circuit Breaker	
FIYUCB4110A	Unit Mounted Circuit Breaker	
FIYUCB4125A	Unit Mounted Circuit Breaker	
FIYUCB4150A	Unit Mounted Circuit Breaker	
FIYUCB6110A	Unit Mounted Circuit Breaker	
FIYUCB6125A	Unit Mounted Circuit Breaker	
Convenience Outlet		
Must be ordered with Through-the-Base Electrical option and either Unit Mounted Disconnect or Circuit Breaker.		
FIYCOPO201A	Powered, 120V Convenience Outlet, 230V	TC/YCD150-301*3, WCD150-240*3
FIYCOPO202A	Powered, 120V Convenience Outlet, 460V	TC/YCD150-301*4, WCD150-240*4
FIYCOPO205A	Powered, 120V Convenience Outlet, 575V	TC/YCD150-301*W, WCD150-240*W
FIYCOPO301AA	Powered, 120V Convenience Outlet, 230V	TC/YCH150-301*3, WCH150-240*A3
FIYCOPO302AA	Powered, 120V Convenience Outlet, 460V	TC/YCH150-301*4, WCH150-240*A4
FIYCOPO303AA	Powered, 120V Convenience Outlet, 575V	TC/YCH150-301*W, WCH150-240*AW
FIYCOUP201A	Unpowered, 115V Convenience Outlet	TC/YCD150-301, WCD150-240
FIYCOUP301AA	Unpowered, 115V Convenience Outlet	TC/YCH150-301, 180-300E, WCD150-240
Discharge Air Sensing Kit		
Used for true discharge air sensing in heating models. Functional only with ReliaTel™ Options Module (FIYABRD002B).		
FIYTUBE008A	Discharge Air Sensing Kit (All Voltages)	TC/YCD150-301*, WCD150-240
FIYTUBE009A	Discharge Air Sensing Kit (All Voltages)	TC/YCH150-301*, WCH150-240
Disconnect Switch		
Must be used with Through-the-Base Electrical option. Cannot be fused.		
FIYUDC3250A	Unit Mounted Disconnect Switch	
FIYUDC4100A	Unit Mounted Disconnect Switch	
FIYUDC4150A	Unit Mounted Disconnect Switch	
FIYUDC6100A	Unit Mounted Disconnect Switch	
Economizer Actuator Logic Module		
FIYLGCM001A is required when ordering the following Factory Installed Options (FIOPs). Reference Enthalpy (FIYENTH007A), Comparative Enthalpy (FIYENTH008A), Novar Controls (FIYCNTL013A, 015A,016A, 017A,018A, 019A).		
FIYLGCM001A	Economizer Actuator Logic Module	All Packaged Rooftop Units 12½-25 Tons with economizers and the above mentioned FIOPs. (FIOP #s)

Downflow/Horizontal Packaged Cooling, Packaged Gas/Electric/Packaged Heat Pump Factory Installed Options (FIOPS)

Table FIOPS-3-A — Accessories

Model	
Number	Description
Electric Heat - Cooling	
Must be factory installed when using with Through-the-Base Electrical option.	
FIDHTRK318A	Factory Installed 18KW Electric Heat
FIDHTRK336A	Factory Installed 36KW Electric Heat
FIDHTRK354A	Factory Installed 54KW Electric Heat
FIDHTRK372A	Factory Installed 72KW Electric Heat
FIDHTRK427A	Factory Installed 27KW Electric Heat
FIDHTRK436A	Factory Installed 36KW Electric Heat
FIDHTRK454A	Factory Installed 54KW Electric Heat
FIDHTRK472A	Factory Installed 72KW Electric Heat
FIDHTRKW18A	Factory Installed 18KW Electric Heat
FIDHTRKW54A	Factory Installed 54KW Electric Heat
FIDHTRKW72A	Factory Installed 72KW Electric Heat
FIDHTRL336A	Factory Installed 36KW Electric Heat
FIDHTRL354A	Factory Installed 54KW Electric Heat
FIDHTRL418A	Factory Installed 18KW Electric Heat
FIDHTRL427A	Factory Installed 27KW Electric Heat
FIDHTRL436A	Factory Installed 36KW Electric Heat
FIDHTRL454A	Factory Installed 54KW Electric Heat
FIDHTRLW54A	Factory Installed 54KW Electric Heat
FIDHTRMW36A	Factory Installed 36KW Electric Heat
FIHHRM318A	Factory Installed 18KW Electric Heat
FIHHRM336A	Factory Installed 36KW Electric Heat
FIHHRM354A	Factory Installed 54KW Electric Heat
FIHHRM418A	Factory Installed 18KW Electric Heat
FIHHRM436A	Factory Installed 36KW Electric Heat
FIHHRM454A	Factory Installed 54KW Electric Heat
FIHHRMW18A	Factory Installed 18KW Electric Heat
FIHHRMW36A	Factory Installed 36KW Electric Heat
FIHHRMW54A	Factory Installed 54KW Electric Heat
FIHHRN318A	Factory Installed 18KW Electric Heat
FIHHRN336A	Factory Installed 36KW Electric Heat
FIHHRN354A	Factory Installed 54KW Electric Heat
FIHHRN372A	Factory Installed 72KW Electric Heat
FIHHRN418A	Factory Installed 18KW Electric Heat
FIHHRN436A	Factory Installed 36KW Electric Heat
FIHHRN454A	Factory Installed 54KW Electric Heat
FIHHRN472A	Factory Installed 72KW Electric Heat
FIHHRNW18A	Factory Installed 18KW Electric Heat
FIHHRNW54A	Factory Installed 54KW Electric Heat
FIHHRNW72A	Factory Installed 72KW Electric Heat
FIHHRP336A	Factory Installed 36KW Electric Heat
FIHHRP354A	Factory Installed 54KW Electric Heat
FIHHRP436A	Factory Installed 36KW Electric Heat
FIHHRP454A	Factory Installed 54KW Electric Heat
FIHHRPW36A	Factory Installed 36KW Electric Heat
FIHHRPW54A	Factory Installed 54KW Electric Heat
FIHHRQ336A	Factory Installed 36KW Electric Heat
FIHHRQ354A	Factory Installed 54KW Electric Heat
FIHHRQ436A	Factory Installed 36KW Electric Heat
FIHHRQ454A	Factory Installed 54KW Electric Heat
FIHHRQW54A	Factory Installed 51KW Electric Heat

Downflow/Horizontal Packaged Cooling, Packaged Gas/Electric/Packaged Heat Pump Factory Installed Options (FIOPS)

Table FIOPS-4-A — Accessories

Model		
Number	Description	Used With
Enthalpy Kits		
FIYENTH007A	Reference Enthalpy	Downflow Units w/A,C or G in 10th Digit
FIYENTH008A	Comparative Enthalpy	Downflow Units w/A,C or G in 10th Digit
Filter & Control Access		
FIYHNGE004A	Hinged Filter/Evap. and Comp./Control Access Door	TC/YCD150,180,210, WCD150-180
FIYHNGE005A	Hinged Filter/Evap. and Comp./Control Access Door	TC/YCD300,300E
FIYHNGE008A	Hinged Filter/Evap. and Comp./Control Access Door	TC/YCD151,150E
FIYHNGE009A	Hinged Filter/Evap. and Comp./Control Access Door	TC/YCD181,211,240,241,301, 151E,181E,210E,240E,WCD150E,180E
FIYHNGE200AA	Hinged Filter/Evap. and Comp./Control Access Door	TC/YCH150,180,210, WCH150-180
FIYHNGE201AA	Hinged Filter/Evap. and Comp./Control Access Door	TC/YCH300
FIYHNGE202AA	Hinged Filter/Evap. and Comp./Control Access Door	TC/YCH151, 150E
FIYHNGE203AA	Hinged Filter/Evap. and Comp./Control Access Door	TC/YCH181,211,240,241,301,180-300E, 151E,181E,WCH150-240,150E,180E
FIYHNGE204A	Hinged Filter/Evap. and Comp./Control Access Door	TC/YCD211-301E,WCD240E
FIYHNGE205A	Hinged Filter/Evap. and Comp./Control Access Door	TC/YCH211-301E,WCH240E
Frostat		
FIYLOAM023A	Frostat	TC/YCD151,181,241 with H,J,K,L in 10th digit w/FIYABRD002B
High Efficiency Motors		
Can be used on downflow or horizontal units unless specified on matrix sheets.		
FIYHEMT001A	2 HP High Effic. Motor (86.5 Eff.)(208-230/460/60/3)	
FIYHEMT002A	2 HP High Effic. Motor (86.5 Eff.)(575/60/3)	
FIYHEMT003A	3 HP High Effic. Motor (89.5 Eff.)(208-230/60/3)	
FIYHEMT004A	3 HP High Effic. Motor (89.5 Eff.)(460/60/3)	
FIYHEMT005A	3 HP High Effic. Motor (89.5 Eff.)(575/60/3)	
FIYHEMT006A	5 HP High Effic. Motor (91.0 Eff.)(208-230/60/3)	
FIYHEMT007A	5 HP High Effic. Motor (91.0 Eff.)(460/60/3)	
FIYHEMT008A	5 HP High Effic. Motor (91.0 Eff.)(575/60/3)	
FIYHEMT009A	7½ HP High Effic. Motor (90.2 Eff.)(208-230/60/3)	
FIYHEMT010A	7½ HP High Effic. Motor (90.2 Eff.)(460/60/3)	
FIYHEMT011A	7½ HP High Effic. Motor (90.2 Eff.)(575/60/3)	
Novar Controls-2024		
The Novar control option includes the following factory installed and wired devices: Novar ETM-2024 rooftop controller, fan proving switch, clogged filter or unit shutdown switch, Cool 1,Cool 2, Heat switch and discharge air sensor (downflow only) (Novar # DTS-30, 20-170°F). NOTE: Option cannot be ordered in conjunction with FIOPS Smoke Detector option.		
FIYCNTL013A	Novar Control, 208-230V	T/YCD150-301*3
FIYCNTL015A	Novar Control, 460 & 575V	T/YCD150-301*4,W
Novar Controls-3051		
The Novar control option includes the following factory installed and wired devices: Novar 3051 rooftop controller, fan proving switch, clogged filter or unit shutdown switch, and discharge air sensor (Novar # DTS-30, 20-170°F). NOTE: This option can be ordered in conjunction with factory installed Smoke Detector option. It can also be ordered with 100% DB economizer but not with enthalpy controls.		
FIYCNTL016A	Novar Control, 460V, 575V	TC/YC*181,211,240,241,300,301*4,W
FIYCNTL017A	Novar Control, 208-230V	TC/YC*150,151,180,210*3
FIYCNTL018A	Novar Control, 460V, 575V	TC/YC*150,151,180,210*4,W
FIYCNTL019A	Novar Control, 208-230V	TC/YC*181,211,240,241,300,301*3

Downflow/Horizontal Packaged Cooling, Packaged Gas/Electric/Packaged Heat Pump Factory Installed Options (FIOPS)

Table FIOPS-5-A — Accessories

Model	Description	Used With
Novar Return Air Sensor		
This option consists of the Novar return air sensor (Novar # WTS-10) that is wired and shipped in the return air section of the unit. The sensor ships with approximately 15' of extra wire for dropping down the return air duct (downflow only).		
FIYNRAS001A	Return Air Sensor	FIYCNTL013A and FIYCNTL015A
Novar Zone Sensor		
This option consists of a Novar Zone Sensor (Novar #WTS-SOS) used with Novar 3051 Controls.		
FIYNZSR001A	Novar Zone Sensor for Novar 3051	FIYCNTL016A
ReliaTel™ Options Module		
FIYABRD002B is required when ordering the following accessories: Clogged Filter Switch (FIYDFPS005A/BAYDFPS005A), Fan Fail Switch (FIYDFPS006A/BAYDFPS006A), Discharge Air Sensing Kit (FIYTUBE008A,FIYTUBE009A, BAYTUBE008A, BAYTUBE009A), Froststat (FIYLOAM023A, BAYLOAM023A), Ventilation Override (must order BAYVNOR002B), Smoke Detector (FIYSMDT).		
FIYABRD002B	ReliaTel™ Options Module	All Packaged Rooftop Units 12½-25 Tons
Smoke Detector (Return Air) for downflow units with economizer ^{①②③}		
Option cannot be ordered in conjunction with field installed economizer.		
FIYSMDT221A	Return Air Smoke Detector	TC/YCD150,151,180,210,WCD150,180
FIYSMDT223A	Return Air Smoke Detector	TC/YCD181,211,240,241,300,301,WCD240
Smoke Detector (Return Air) for downflow units without economizer ^{①②③}		
FIYSMDT222A	Return Air Smoke Detector	TC/YCD150,151,180,210,WCD150,180
FIYSMDT224A	Return Air Smoke Detector	TC/YCD181,211,240,241,300,301,WCD240
Smoke Detector (Supply Air) ^{②③}		
FIYSMDT225A	Supply Air Smoke Detector	TC/YCD150,151,180,210,WCD150B-180
FIYSMDT228A	Supply Air Smoke Detector	TC/YCD181,211,240,241,300,301,WCD240
FIYSMDT301A	Supply Air Smoke Detector	TC/YCH150D,180B,150E,151C,WCH150,180B
FIYSMDT303AA	Supply Air Smoke Detector	TC/YCH240B,300B,181-301C,180-300E,151-301E, WCH240B,150E,180E,240E
Smoke Detectors (Supply and Return Air) for units with economizer ^{①②③}		
Option cannot be ordered in conjunction with field installed economizer.		
FIYSMDT226A	Supply and Return Air Smoke Detector	TC/YCD150,151,180,210, WCD150,180
FIYSMDT229A	Supply and Return Air Smoke Detector	TC/YCD181,211,240,241,300,301,WCD240
FIYSMDT304AA	Supply and Return Air Smoke Detector	TC/YCH150,151, 180,210,180-300E,151-301E, WCH150-180,150-240E
Smoke Detectors (Supply and Return Air) for units without economizer ^{①②③}		
FIYSMDT227A	Supply and Return Air Smoke Detector	TC/YCD150,151,180,210,WCD150,180B
FIYSMDT230A	Supply and Return Air Smoke Detector	TC/YCD181,211,240,241,300,301,150-240E,151-301E WCD240B
FIYSMDT302A	Supply and Return Air Smoke Detector	TC/YCH150D,180B,210C,150E,151C,181C,WCH150B,180B
FIYSMDT304AA	Supply and Return Air Smoke Detector	TC/YCH240,300B,211-301C,180-300E,151-301E, WCH240B,150-240E
① The return air smoke detector may not fit up or work properly on the Packaged Rooftop Units 12½-25 Tons when used in conjunction with 3rd party accessories (such as bolt on heat wheels, economizers, and power exhaust). Do not order the return air smoke detectors when using this type of accessory.		
② Smoke Detectors available for downflow units only.		
③ Functional only with ReliaTel™ Options Module (FIYABR002B).		
Stainless Steel Heat Exchanger		
FIYSSHX001A	150 MBH Stainless Steel Heat Exchanger	YC*150,151 Low Heat
FIYSSHX002A	250 MBH Stainless Steel Heat Exchanger	YC*150,151 High Heat YC*155,175,180,181,200,210,211,240,241,250,300 and 301 Low Heat
FIYSSHX003A	350 MBH Stainless Steel Heat Exchanger	YC*155,175,180,181,210,211 High Heat
FIYSSHX004A	400 MBH Stainless Steel Heat Exchanger	YC*200,240,241,250,300,301 High Heat
Switches ^①		
FIYDFPS005A	Clogged Filter Switch	All Packaged Rooftop Units 12½-25 Tons
FIYDFPS006A	Fan Failure Switch	All Packaged Rooftop Units 12½-25 Tons
① Functional only with ReliaTel™ Options Module (FIYABR002B).		
TCI		
FIYICSI004B	Comm 3/4 Communication Interface - when combination of oversize motor and Comm 3/4 is required.	All Units w/B or C in 10th Digit and TXV Units w/H, J, K or L in 10th Digit

Downflow/Horizontal Packaged Cooling, Packaged Gas/Electric/Packaged Heat Pump Factory Installed Options (FIOPS)

Table FIOPS-6-A — Accessories

Model		
Number	Description	Used With
Through the Base Electrical		
Must be used with Unit Mounted Disconnect Switch or Unit Mounted Circuit Breaker. When adding heat, must order American Standard Electric Heat. If no factory installed Unit Mounted disconnect Switch or Unit Mounted Circuit Breaker is required, order the Through the Base Utility Access Option (FIYTBUA****)		
FIYTBUE206A	Through-the-Base Electrical Option	
FIYTBUE207A	Through-the-Base Electrical Option	
FIYTBUE208A	Through-the-Base Electrical Option	
FIYTBUE209A	Through-the-Base Electrical Option	
FIYTBUE210A	Through-the-Base Electrical Option	
FIYTBUE211A	Through-the-Base Electrical Option	
FIYTBUE212A	Through-the-Base Electrical Option	
FIYTBUE213A	Through-the-Base Electrical Option	
FIYTBUE214A	Through-the-Base Electrical Option	
FIYTBUE215A	Through-the-Base Electrical Option	
FIYTBUE216A	Through-the-Base Electrical Option	
FIYTBUE300AA	Through-the-Base Electrical Option	
FIYTBUE301AA	Through-the-Base Electrical Option	
FIYTBUE302AA	Through-the-Base Electrical Option	
FIYTBUE303AA	Through-the-Base Electrical Option	
FIYTBUE304AA	Through-the-Base Electrical Option	
FIYTBUE305AA	Through-the-Base Electrical Option	
FIYTBUE306AA	Through-the-Base Electrical Option	
FIYTBUE307AA	Through-the-Base Electrical Option	
FIYTBUE308AA	Through-the-Base Electrical Option	
FIYTBUE309AA	Through-the-Base Electrical Option	
FIYTBUE310AA	Through-the-Base Electrical Option	
Through The Base Gas Piping		
FIYTBUG202A①	Through-the-Base Gas Piping	YCD150,151 Low & High Heat YCD180-301 Low Heat
FIYTBUG203A①	Through-the-Base Gas Piping	YCD180-301 High Heat
FIYTBUG205A②	Through-the-Base Gas Piping	YCD150,151 Low & High Heat YCD180-301 Low Heat
FIYTBUG206A②	Through-the-Base Gas Piping	YCD180-301 High Heat
① Must order when ordering through-the-base electrical or through-the-base access option (downflow only). ② Order when not ordering through-the-base electrical or through-the-base access option (downflow only).		
Through the Base Utilities Access		
Order this accessory when no factory installed Unit Mounted Disconnect Switch or Unit Mounted Circuit Breaker is required. If factory installed Unit Mounted Disconnect or Unit Mounted Circuit Breaker is required, order the Through the Base Electrical Option (FIYTBUE****) from the FIOP Matrix page.		
FIYTBUA204A	Through the Base Utilities Access	YCD150,151,180,210
FIYTBUA205A	Through the Base Utilities Access	TCD150,151,180,210,WCD150,180
FIYTBUA206A	Through the Base Utilities Access	YCD181,211,240,241,300,301
FIYTBUA207A	Through the Base Utilities Access	TCD181,211,240,241,300,301,151,181E, WC*150,180E,WCD240,300
Tool-less Condenser Hail Guard		
FIYGARD001B	Tool-less Condenser Hail Guard	TC/YC*150,WC*150
FIYGARD002B	Tool-less Condenser Hail Guard	TC/YC*151,180,210,WC*180
FIYGARD003A	Tool-less Condenser Hail Guard	TC/YC*181,211,240,241,301,WC*240
FIYGARD005A	Tool-less Condenser Hail Guard	TC/YC*300
FIYGARD006A	Tool-less Condenser Hail Guard	TC/YC*211-301E,WC*240E
FIYGARD007A	Tool-less Condenser Hail Guard	TC/YC*240E
2" Pleated Filters		
FIYPLTD001A	2" Pleated Filters	TC/YC*150,151,180,210,WC*150,180
FIYPLTD002A	2" Pleated Filters	TC/YCD181,211,240,241,300,301,WCD240
FIYPLTD003A	2" Pleated Filters	TC/YCH181,211,240,241,300,301,WCH240
FIYPLTD004A	2" Pleated Filters	TCD/YCD211-301E
FIYPLTD005A	2" Pleated Filters	TCH/YCH211-301E,WCH240E

Indoor Gas Heating Products



American Standard Heating & Air Conditioning now offers one of the most complete lines of indoor and outdoor gas heating products on the market today!

Tubular Heat Exchanger Propeller Fan Unit Heater Model ATND/ATPD

The American Standard Heating & Air Conditioning tubular heat exchanger is a durable unit heater that provides an alternative to the traditional clam shell style. These propeller style units combine the latest tubular heat exchanger technology with in-shot burner design to create an efficient operation unit.

Table UH-1-A — Tubular Heat Exchanger Propeller Gas Unit Heater

ATND/ATPD	003	004	006	007	009	011	012	015	017	020	025	030	035	040
Input MBh	30	45	60	75	90	105	120	150	175	200	250	300	350	400
Output MBh	24.9	37.35	49.8	61.5	73.8	86.1	98.4	124.5	145.25	166.0	207.5	249.0	290.5	332.0
CFM	370	550	740	920	1100	1300	1475	2400	2850	3200	3450	5000	5600	5800
Air Temperature Rise °F	60	60	60	60	60	60	60	47	46	47	54	45	47	51
Motor Amps	1.9	1.9	2.6	2.6	2.6	4.2	4.2	4.7	5.8	5.8	5.8	9.4	11.6	11.6
Thermal Efficiency	83%	83%	83%	82%	82%	82%	82%	83%	83%	83%	83%	83%	83%	83%



High Efficiency Propeller Fan Gas Unit Heaters Model AHND/AHPD

American Standard Heating & Air Conditioning high efficiency propeller fan gas unit heaters can achieve annual fuel savings of 20 to 25 percent or more over conventional gravity-vented heaters. Features include a factory installed flue vent fan and sealed flue collector that control combustion and excess air during the on-cycle. Heated air no longer escapes through the draft diverted opening during the off cycle.

Energy-saving intermittent pilot ignition reduces gas losses. The pilot only operates when required. Horizontal power venting allows for side wall venting, smaller openings and single-walled vent pipe. These high efficiency gas fan unit heaters carry a ten-year non-prorated warranty on the heat exchanger, flue collector and burners.

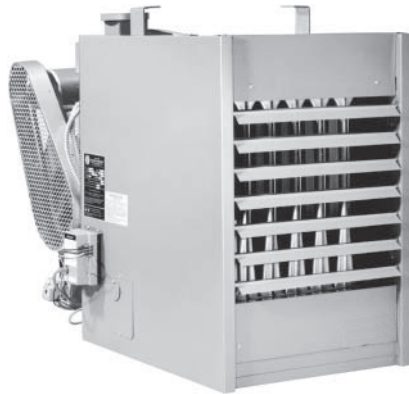
Table UH-1-B — High Efficiency Propeller Fan Gas Unit Heater

ATND/ATPD	010	012	015	017	020	022	025	030	035	040
Input MBh	100	125	150	175	200	225	250	300	350	400
Output MBh	80	100	120	140	160	180	200	240	280	320
Flue Outlet (1)	5 1/8"	5 1/8"	5 1/8"	5 1/8"	5 1/8"	5 1/8"	5 1/8"	5 1/8"	5 1/8"	5 1/8"
Rec. Flue Size	4"R	4"R	4"R	4"R	5"R	5"R	5"R	6"R	6"R	6"R
CFM	1480	1650	2200	2530	2640	2700	3100	4400	5000	5300
Air Temperature Rise °F	50	56	50	51	56	61	60	50	52	56
Outlet Velocity	775	910	1045	1070	1010	950	980	1100	1150	1050
Nominal Horsepower	1/20	1/10	1/4	1/3	1/3	1/3	1/3	(2) 1/4	(2) 1/3	(2) 1/3
Motor Amps	2.6	2.8	4.0	4.5	4.5	4.5	4.5	8.0	9.0	9.0
Thermal Efficiency	80%	80%	80%	80%	80%	80%	80%	80%	80%	80%

1. All flue outlets are 5 1/8" O.D. ±1/32" (reducer by installer where required). In increaser supplied by manufacturer for 030,035,040 sizes.

Contact your American Standard Heating & Air Conditioning Territory Manager for more information.

Indoor Gas Heating Products



High Efficiency Centrifugal Fan Gas Unit Heaters Model ABND/ABPD

The American Standard Heating & Air Conditioning high efficiency centrifugal fan gas unit heater incorporates the same features as the high efficiency propeller unit heater. An exceptionally balanced centrifugal blower assembly results in quieter operation. The high efficiency centrifugal fan is also well-suited for high static applications where ductwork is required. Duct discharge flanges may be ordered in lieu of horizontal louvers to

accommodate ductwork. American Standard Heating & Air Conditioning's high efficiency centrifugal fan gas unit heater carries a ten-year non-prorated warranty on the heat exchanger, flue collector and burners.

Table UH-2-A — High Efficiency Centrifugal Fan Gas Unit Heater

ABND/ABPD	010	012	015	017	020	022	025	030	035	040
Input MBh	100	125	150	175	200	225	250	300	350	400
Output MBh	80	100	120	140	160	180	200	240	280	320
Flue Outlet (1)	5 1/8"	5 1/8"	5 1/8"	5 1/8"	5 1/8"	5 1/8"	5 1/8"	5 1/8"	5 1/8"	5 1/8"
Flue Outlet	4"R	4"R	4"R	4"R	5"R	5"R	5"R	6"R	6"R	6"R
Free Air Delivery	1200	1575	1975	2300	2400	2600	2850	3950	4600	4800
Outlet Velocity	880	950	1030	1045	965	935	930	1080	1090	1000
Nominal Horsepower	1/4	1/3	1/2	1/2	3/4	3/4	3/4	3/4	1	1
Motor Amps	5.1	6.6	7.4	7.4	12.0	12.0	12.0	12.0	15.4	15.4

1. All flue outlets are 5 1/8" O.D. ±1/32" (reducer by installer where required). Inceaser supplied by manufacturer for 030,035,040 sizes.



High Efficiency Indoor Gas Duct Furnace Model ALND/ALPD

The American Standard Heating & Air Conditioning high efficiency indoor gas duct furnaces can achieve annual fuel savings of 20 to 25 percent or more over conventional gravity vented units. Features include a factory installed flue vent fan and sealed flue collector that control combustion and excess air during the on-cycle. Heated air no longer escapes through the draft diverted opening during the off cycle.

Energy saving intermittent pilot ignition reduces gas losses. The pilot operates only when required. Horizontal power venting allows side wall venting, smaller openings and single wall vent pipe.

Table UH-2-B — High Efficiency Indoor Gas Duct Furnace

ALND/ALPD	010	012	015	017	020	022	025	030	035	040
Input MBh	100	125	150	175	200	225	250	300	350	400
Output MBh	80	100	120	140	160	180	200	240	280	320
Max CFM	2469	3086	3704	4321	4938	5556	6173	7407	8642	9877
Pressure Drop	0.90	0.80	0.75	0.75	0.75	0.75	0.80	0.90	0.90	0.90
Min. Temperature Rise °F	30	30	30	30	30	30	30	30	30	30
Min. CFM	929	1157	1389	1620	1852	2083	2315	2778	3241	3704
Pressure Drop	0.12	0.13	0.15	0.14	0.14	0.14	0.14	0.13	0.13	0.14
Max Temperature Rise °F	80	80	80	80	80	80	80	80	80	80
Flue Outlet (1)	5 1/8"	5 1/8"	5 1/8"	5 1/8"	5 1/8"	5 1/8"	5 1/8"	5 1/8"	5 1/8"	5 1/8"
Rec. Flue Size	4"R	4"R	4"R	4"R	5"R	5"R	5"R	6"R	6"R	6"R

1. All flue outlets are 5 1/8" O.D. ±1/32" (reducer by installer where required). Inceaser supplied by manufacturer for 030,035,040 sizes.

Contact your American Standard Heating & Air Conditioning Territory Manager for more information.

Indoor Gas Heating Products



Separated Combustion Propeller Fan Unit Heaters Model AAND/AAPD

The American Standard Heating & Air Conditioning separated combustion propeller type unit heater keeps energy costs down by offering 80 percent thermal efficiencies. With model inputs available from 100 through 400 MBH, they are designed to be installed in mildly hostile environments where dusty, dirty and mildly corrosives exist or high humidity or slightly negative pressures prevail.

The American Standard Heating & Air Conditioning propeller unit separates the combustion process from the environment where the unit is installed.

A power venting system draws a controlled quantity of combustion air from outside the building. The same system exhausts flue gas products to the outside. The burners, pilot and flue system are enclosed within the unit. The entire combustion process is literally unaffected by the atmosphere in the space where the unit is located.

Combustion and exhaust air may be piped horizontally through a side wall, or vertically through the roof via our standard two-pipe venting arrangement or optional concentric vent kit which utilizes one 8-inch side wall or rooftop penetration for both the combustion and exhaust air. Both venting systems are C.S.A. International certified.

Table UH-3-A — Separated Combustion Propeller Fan Gas Unit Heater

AAND/AAPD		010	012	015	017	020	022	025	030	035	040
Input	MBh	100	125	150	175	200	225	250	300	350	400
	kW	29.3	36.6	43.9	51.2	58.6	65.9	73.2	87.8	102.5	117.1
Output	MBh	80	100	120	140	160	180	200	240	280	320
	kW	23.4	29.3	35.1	41.0	46.9	52.7	58.6	70.3	82.0	93.7
Thermal Efficiency		80%	80%	80%	80%	80%	80%	80%	80%	80%	80%
Free Air Delivery	cfm	1480	1650	2200	2530	2640	2700	3100	4400	5000	5300
	m ³ /s	0.699	0.779	1.038	1.194	1.246	1.274	1.463	2.077	2.360	2.502
Air Temperature Rise	°F	50	56	50	51	56	61	60	50	52	56
	°C	28	31	28	28	31	34	33	28	29	31
Output Velocity	fpm	775	910	1045	1070	1000	950	980	1100	1150	1050
	m/s	3.9	4.6	5.3	5.4	5.1	4.8	5.0	5.6	5.8	5.3
Full Load Amps at 115V		5.8	6.0	7.2	7.8	7.8	7.8	8.8	11.2	12.2	12.2
Motor Data	hp	1/20	1/10	1/4	1/3	1/3	1/3	1/2	(2) 1/4	(2) 1/3	(2) 1/3
	kW	0.037	0.075	0.186	0.249	0.249	0.249	0.373	(2) 0.186	(2) 0.249	(2) 0.249
	Type	SP	SP	PSC	PSC	PSC	PSC	PSC	PSC	PSC	PSC
	rpm	1,050	1,050	1,140	1,140	1,140	1,140	1,140	1,140	1,140	1,140
Amps at 115V		2.6	2.8	4.0	4.5	4.5	4.5	5.5	8.0	9.0	9.0

Notes:

1. Ratings are shown for elevations up to 2,000 feet above sea level. Above 2,000 feet, input must be derated 4 percent for each 1,000 feet above sea level.

2. Standard motor is 115/60/1 open drip-proof.

3. SP = Shaded Pole; PSC = Permanent Split Capacitor.

Contact your American Standard Heating & Air Conditioning Territory Manager for more information.

Indoor Gas Heating Products



Separated Combustion Centrifugal Fan Unit Heaters Model AKND/AKPD

The American Standard Heating & Air Conditioning separated combustion centrifugal type unit heater keeps energy costs down by offering 80 percent thermal efficiencies. With model inputs available from 100 through 400 MBh, they are designed to be installed in mildly hostile environments where dusty, dirty and mildly corrosives exist or high humidity or slightly negative pressures prevail. This unit operates at a static pressure up to 0.2" water

column, and is available with a louvered (standard) or flanged outlet (optional) when discharge duct work is desired.

These units separate the combustion process from the environment where the unit is installed. A power venting system draws a controlled quantity of combustion air from outside the building. The same system exhausts flue gas products to the outside. The burners, pilot and flue system are enclosed within the unit. The entire combustion process is literally unaffected by the atmosphere in the space where the unit is located.

Table UH-4-A — Separated Combustion Centrifugal Fan Gas Unit Heater

AKND/AKPD		010	012	015	017	020	022	025	030	035	040
Input	MBh	100	125	150	175	200	225	250	300	350	400
	kW	29.3	36.6	43.9	51.2	58.6	65.9	73.2	87.8	102.5	117.1
Output	MBh	80	100	120	140	160	180	200	240	280	320
	kW	23.4	29.3	35.1	41.0	46.9	52.7	58.6	70.3	82.0	93.7
Thermal Efficiency		80%	80%	80%	80%	80%	80%	80%	80%	80%	80%
Free Air Delivery	cfm	1,200	1,575	1,975	2,300	2,400	2,600	2,850	3,950	4,600	4,800
	m ³ /s	0.566	0.743	0.932	1.086	1.133	1.227	1.345	1.864	2.171	2.266
Air Temperature Rise	°F	62	59	56	56	62	64	65	56	56	62
	°C	34	33	31	31	34	36	36	31	31	34
Output Velocity	fpm	880	950	1030	1045	965	935	930	1080	1090	1000
	m/s	4.47	4.83	5.23	5.31	4.90	4.75	4.72	5.49	5.54	5.08
Full Load Amps at 115V		8.3	9.8	10.6	10.6	15.2	15.2	15.2	15.2	18.6	18.6
Motor Data	hp	1/4	1/3	1/2	1/2	3/4	3/4	3/4	3/4	1	1
	kW	0.19	0.25	0.37	0.37	0.56	0.56	0.56	0.56	0.75	0.75
	Type	SPH	SPH	SPH	SPH	SPH	SPH	SPH	SPH	CS	CS
	rpm	1725	1725	1725	1725	1725	1725	1725	1725	1725	1725
Amps at 115V		5.1	6.6	7.4	7.4	12.0	12.0	12.0	12.0	15.4	15.4

Notes:

1. Ratings are shown for elevations up to 2,000 feet above sea level. Above 2,000 feet, input must be derated 4 percent for each 1,000 feet above sea level.
2. Standard motor is 115/60/1 open drip-proof.
3. SPH = Split Phase; CS = Capacitor Start.

Contact your American Standard Heating & Air Conditioning Territory Manager for more information.

Indoor Gas Heating Products



Separated Combustion Duct Furnace Model AMND/AMPD

The American Standard Heating & Air Conditioning separated combustion duct furnace is designed for installation in dusty, dirty or mildly corrosive environments or where high humidity or slightly negative pressures exist. Ideal applications include HVAC equipment rooms, manufacturing facilities, automotive garages and greenhouses.

Table UH-5-A — Separated Combustion Centrifugal Fan Gas Unit Heater

AMND/AMPD		010	012	015	017	020	022	025	030	035	040
Input Max	MBh	100	125	150	175	200	225	250	300	350	400
	kW	29.3	36.6	43.9	51.2	58.6	65.9	73.2	87.8	102.5	117.1
Input Min	MBh	50	62.5	75	87.5	100	112.5	125	150	175	200
	kW	14.6	18.3	22.0	25.6	29.3	32.9	36.6	43.9	51.2	58.6
Output	MBh	80	100	120	140	160	180	200	240	280	320
	kW	23.4	29.3	35.1	41.0	46.9	52.7	58.6	70.3	82.0	93.7
Min	cfm	822	1028	1233	1439	1645	1850	2056	2467	2878	3289
	m ³ /s	0.388	0.485	0.582	0.679	0.776	0.873	0.970	1.164	1.358	1.552
Air Temperature Rise	°F	90	90	90	90	90	90	90	90	90	90
	°C	50	50	50	50	50	50	50	50	50	50
P.D.	in. of H ₂ O	0.10	0.09	0.09	0.09	0.09	0.09	0.09	0.10	0.10	0.10
	kPa	0.02	0.02	0.02	0.02	0.02	0.02	0.02	0.02	0.02	0.02
Max	cfm	3700	4625	5550	6475	7401	8326	9251	11101	12951	14801
	m ³ /s	1.746	2.183	2.620	3.056	3.493	3.930	4.366	5.240	6.113	6.986
Air Temperature Rise	°F	20	20	20	20	20	20	20	20	20	20
	°C	11	11	11	11	11	11	11	11	11	11
P.D.	in. of H ₂ O	2.03	1.92	1.81	1.86	1.90	1.93	1.96	2.00	2.02	2.05
	kPa	0.51	0.48	0.45	0.46	0.47	0.48	0.49	0.50	0.50	0.51

Note:

Ratings are shown for elevations up to 2,000 feet above sea level. Above 2,000 feet input must be derated four percent for each 1,000 feet above sea level.

Contact your American Standard Heating & Air Conditioning Territory Manager for more information.

Why Should an Equipment Owner Buy an Optional Extended Warranty?

1. **It enhances the Limited Standard Warranty:** American Standard has always offered one of the strongest Manufacturer's Limited Warranties in the HVAC industry. The Limited Manufacturer's Warranty covers only functional parts; it does not cover labor, diagnostic, or refrigerant. Purchasing an Optional Extended Warranty is the only way to truly protect the Equipment Owner from out-of-pocket repair costs for the term of the warranty.
2. **Mechanical components can fail:** American Standard is recognized as a worldwide leader in the manufacturing of quality HVAC products and accessories. Millions of dollars have been invested in laboratory stress tests, which allow American Standard engineers to design units with minimum failures; however, **any mechanical product is subject to failure.**
3. **Hedge against inflation:** Service calls are expensive. Each year parts and labor costs rise. At today's prices, one service call to replace a minor part can easily cost \$200.00. Imagine what these costs will be 5 – 10 years from now. With our Optional Extended Warranty, the Equipment Owner will know their costs for covered repairs for years in advance (according to Extended Warranty coverage).
4. **Peace of mind:** When an Equipment Owner purchases an Optional Extended Warranty, he/she will not have to worry about the costs of equipment repairs. Unplanned repair bills will be a thing of the past. For the term of his/her Agreement, STWC pays repair bills (according to warranty coverage).
5. **Assurance of commitment:** When an Equipment Owner purchases an Optional Extended Warranty from a American Standard Dealer, he/she is entering into an Agreement with STWC, a subsidiary of Ingersoll-Rand.
6. **Transferable:** The remainder of the Optional Extended Warranty "term of coverage" can be transferred to a new Equipment Owner should the original Equipment Owner decide to sell his/her property.

Why Should a Dealer Sell Optional Extended Warranties?

1. **Optional Extended Warranties are easy to sell:** Most people will purchase an Optional Extended Warranty when offered at the time of equipment purchase. So make the offer!
 - a. In fact, the Dealer's proposal should contain a "Warranty" section that states:
 - i. The term and coverage of the Manufacturer's Limited Warranty which comes with the equipment,
 - ii. The amount of time the Dealer is warranting labor with the installation,
 - iii. The cost of the optional extended warranty, and
 - iv. Any other customized coverage.
 - b. The Dealer's proposal should designate a place for Equipment Owners to initial that an Optional Extended Warranty was offered and declined, if applicable.
2. **Optional Extended Warranties make a Dealer more competitive:** An Optional Extended Warranty should be offered with every quote. It might be the deciding factor in obtaining the job. Competitors will be offering one.
3. **Increases a Dealer's customer base:** A Dealer could lock in a customer for the duration of the Agreement. With each sale of an Optional Extended Warranty, it adds another name to a Dealer's customer base. It is a name a Dealer can use to sell items such as:
 - a. preseason start-up checks;
 - b. preventative maintenance/energy savings agreements; and
 - c. filters and pads.
4. **More profits for the Dealer:** Each time a Dealer sells an Optional Extended Warranty, he/she will most likely make more bottom-line profits than on the sale of the equipment. Compare the time necessary to install the equipment to the time required to offer/sell the Agreement.
5. **Reduce the Dealer's warranty reserve:** Each installing Dealer is responsible for labor for up to two (2) years after installation (depending on the equipment installed). Some Dealers set up a warranty reserve by setting aside a fixed amount from each sale to cover labor expenses, some do not. In either case, it costs to make repairs during this period. When an Optional Extended Warranty is sold, this labor liability can be reduced considerably.①
6. **Guaranteed payment:** Dealers do not have to invoice customers. They invoice STWC and receive payment ①approximately 45 days from the date STWC processes the claim.

Always use the sales brochures available from American Standard when making a presentation to a potential customer. Point out why an Optional Extended Warranty is included in the purchase price (must be separately stated in regulated states). Explain the value of what the customer is buying. When an Equipment Owner realizes that the warranty does not cover failures caused by inadequate routine maintenance, he/she will want to purchase a preventative maintenance agreement. Be sure the Equipment Owner understands that the Optional Extended Warranty does not cover education or nuisance calls.

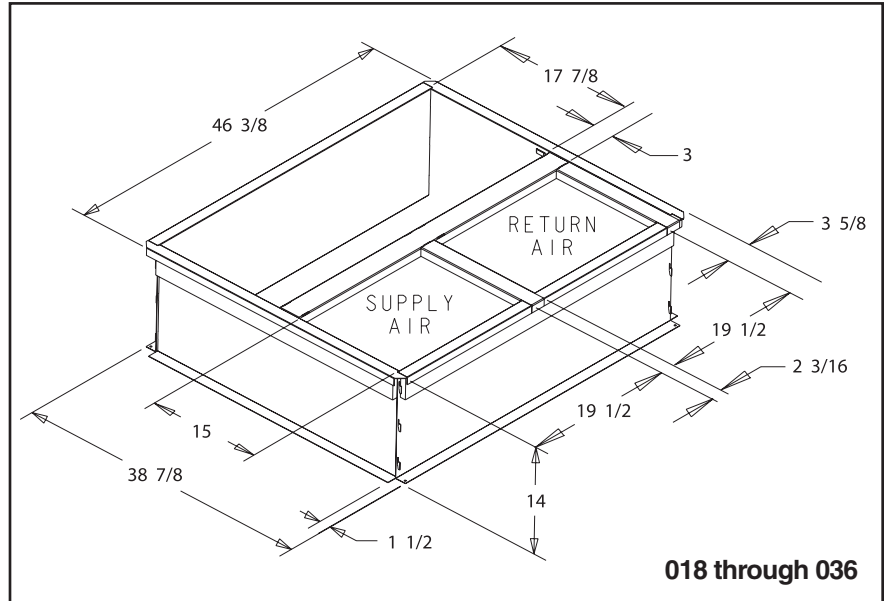
① According to Extended Warranty coverage

Optional Extended Warranty Benefits

We are pleased to announce the new Tavant Warranty Management System that will be rolling out in 2011. Due to the new processes the latest up to date warranty model numbers, claim guidelines, confirmation of coverage, forms, and more, can be found at www.ASDealerNet.com. You may also email us at ew@irco.com or by calling STWC at 1-800-554-8005. STWC office hours are 8:00 AM – 4:30 PM CST, Monday through Friday, except Holidays.

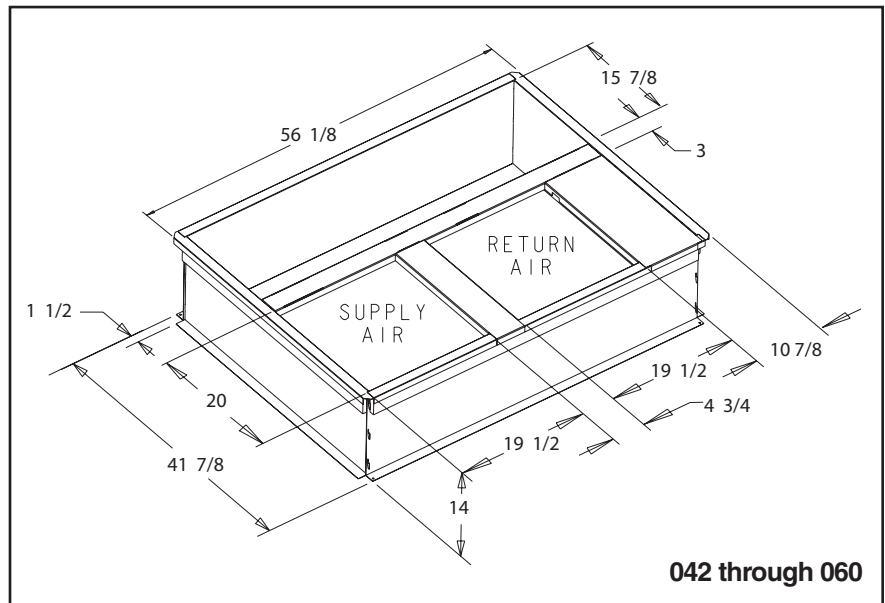
Roof Curbs

BAYCURB050A FULL PERIMETER ROOF MOUNTING CURB OUTLINE



Full Perimeter BAYCURB050A	Full Perimeter BAYCURB051A
4TCY4024-036	4TCY4042-060
4TCX3018-036/4TCC3018-036	4TCX3042-060/4TCC3042-060
4WCZ6036/4DCZ6036	4WCZ6048-060/4DCZ6048-060
4WCY4024-036/4DCY4024-036	4WCY4042-060/4DCY4042-060
2/4WCX3018-036/2/4WCC3018-036	2/4WCX3042-060/2/4WCC3042-060
4YCZ6036	4YCZ6048-060
4YCY4024-036	4YCY4042-060
2/4YCX3018-036/2/4YCC3018-036	2/4YCX3042-060/2/4YCC3042-060

BAYCURB051A FULL PERIMETER ROOF MOUNTING CURB OUTLINE



3-25 Ton Packaged Units Roof Curb Compatibility Information

Table AC/IN-2-A — 3-10 Ton Convertible Packaged Units Roof Curb Compatibility

BAYCURB042			BAYCURB043			BAYCURB044		
T/YSC	T/YHC	WSC	T/YSC	T/YHC	WSC	T/YSC	T/YHC	WSC
036A	033A	036A	072A	072A	072A		092E	120E
048A	036A	048A	090A	092A	090A		102E	
060A	043A	060A	092A	102A	120A		120E	
036E	048A	036E	102A	120A	060E			
048E	060A	048E	120A	048E	072E			
060E	063A		072E	060E	090E			
	036E		090E	072E				
			092E	092E*				
			102E	102E*				
			120E	120E*				

* = This curb is used for retrofit or replacement applications only for these units.

Table AC/IN-2-B — 12½-25 Ton Packaged Units Roof Curb Compatibility Reference for Packaged Units Manufactured Prior to 2002

BAYCURB021A/B			BAYCURB022A/B			BAYCURB025A/B			BAYCURB026A/B			BAYCURB027A/B		
YCD	TCD	WCD	YCD	TCD	WCD	YCD	TCD	WCD	YCD	TCD	WCD	YCD	TCD	WCD
036A	036C	036C	061C	061C	075A	102A	102A	120A	121C	121C	150A	181B	181B	240A
036C	037C	048C	074C	074C	075C	102B	102B	120B	150A	150A	150B	181C	181C	240B
037C	048C	060C	075A	075A	090A	103B	103B		150B	150B	180A	210A	210A	150E
048A	049C		075B	075B	090C	103C	103C		150D	150D	180B	210B	210B	180E
048C	060C		075C	075C		120A	120A		151B	151B		211B	211B	240E
049C			086C	086C		120B	120B		151C	151C		211C	211C	
060A			090A	090A		121B	121B		180A	180A		240A	240A	
060C			090B	090B		150C	150C		180B	180B		240B	240B	
			090C	090C					210C	210C		241B	241B	
			090D	090D					150E	150E		241C	241C	
			091D	091C								300B	300B	
			102C	091D								301C	301C	
			120C	102C								180E	180E	
				120C								210E	210E	
												211E	211E	
												240E	240E	
												241E	241E	
												300E	300E	
												151E	151E	
												181E	181E	
												301E	301E	

General Notes:

Note 1: If ordering Thru-The-Base options, the curb must be an April 1994 to present model curb to allow Thru-The-Base connections. The older curb models do not allow for these connections. The units will still fit the curb, but the Thru-The-Base connections will not be available.

Note 2: TCD036A, TCD048A, TCD060A, WCD036A, WCD048A, WCD060A are not 12½-25 Ton units. These units were manufactured in Ft. Smith, AR and will not fit any 12½-25 Ton curbs.

Note 3: All horizontal 3-7½ ton, all horizontal 102C, and all horizontal 120C units will fit the downflow curbs, but BAYINSL101A kit must be installed across the bottom of the evaporator section of the unit to prevent condensate leakage into the space.

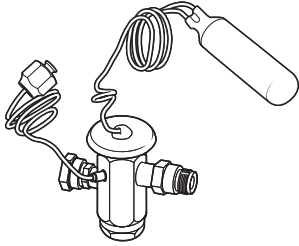
Note 4: If another manufacturers curb was used initially, the adapter curb may not fit.

Table AC/IN-2-C — Convertible 3-10 Ton Curb Adapters

Model Number	Description
BAYQACB009A	Quick Adapt Roof Curb Converts BAYCURB021 to Convertible 3 - 5 Ton
BAYQACB010A	Quick Adapt Roof Curb Converts BAYCURB022 to Convertible 3 - 5 Ton
BAYQACB011A	Quick Adapt Roof Curb Converts BAYCURB022 to Convertible 6 - 10 Ton
BAYQACB012A	Quick Adapt Roof Curb Converts BAYCURB025 to Convertible 6 - 10 Ton
BAYQACB013A	Quick Adapt Roof Curb Converts BAYCURB026 to Convertible 6 - 10 Ton
BAYQACB044A	Quick Adapt Roof Curb Converts BAYCURB026 to BAYCURB027
BAYQACB500A	Quick Adapt Roof Curb Converts CRRFCURB001A01 to BAYCURB042A
BAYQACB501A	Quick Adapt Roof Curb Converts CRRFCURB001A01 to BAYCURB043A
BAYQACB502A	Quick Adapt Roof Curb Converts CRRFCURB001A03 to BAYCURB043A

Note: If another manufacturers curb was used initially, the adapter curb may not fit

Thermal Expansion Valves



Expansion Valve TXV Cooling/Heat Pump Kit

General Information

This Thermostatic Expansion Valve Kit may be used on any indoor air handler or coil that is equipped with a current thermostatic expansion valve with an internal check valve and mechanical fittings. This kit can be used on split system heat pumps and air conditioning systems.

Thermostatic Expansion Valve Kits can be field installed to fit a variety of sizes and combinations of air handlers or coils and outdoor units to optimize performance.

This TXV kit will normally be used when a different refrigerant is going to be used in the air handler or coil than what is indicated on the unit name plate. The TXV type must always match the refrigerant type used in the outdoor unit.

Kit Identification

The first character in the kit model number indicates the type of refrigerant that the valve can be used with. Example a 2AYTXVH3D1830A is an R-22 valve.

The "3" in the eighth digit in the model number identifies the valve as a non-bleed TXV. When this TXV kit is installed with an outdoor unit that contains a reciprocating compressor, the outdoor unit must be equipped with a hard start kit if not factory installed. If the outdoor unit contains a scroll compressor, the installation of a hard start kit may be required.

Inspection

Check carefully for any shipping damage. Any such damage must be reported and claims made against the transportation company immediately. Any missing parts should be reported to your supplier at once and replaced with authorized parts only.

Table AC/IN-3-A Cooling/Heat Pump Non-Bleed TXV Kits- Dual Direction Flow-TXA/C-BC Coils

R-410 Model Number	R-22 Model Numbers	Used With 13 SEER Coils
4AYTXVH3D1831A	2AYTXVH3C1818A	2/4TXC, TXA018
4AYTXVH3D1831A	2AYTXVH3C2425A	2/4TXC, TXA024,025
4AYTXVH3D1831A	2AYTXVH3C3031A	2/4TXC, TXA031
4AYTXVH3D3343A	—	4TXC, 4TXA-032
4AYTXVH3D3343A	2AYTXVH3C3337A	2/4TXC, TXA036,037
4AYTXVH3D3343A	2AYTXVH3C4243A	2/4TXC, TXA042,043
4AYTXVH3D4863A	—	4TXC, 4TXA-044
4AYTXVH3D4863A	2AYTXVH3C4850A	2/4TXC, TXA048,049,050
4AYTXVH3D4863A	2AYTXVH3C5463A	2/4TXC, TXA060,061,064

Table AC/IN-3-B Cooling/Heat Pump Non-Bleed TXV Kits- Dual Direction Flow

R-410 Model Number	R-22 Model Number	Used With Horizontal Flat Coils
4AYTXVH3D1831A	2AYTXVH3C1818A	2/4TXF-018
4AYTXVH3D3343A	2AYTXVH3C3337A	2/4TXF-033
4AYTXVH3D3343A	2AYTXVH3C4243A	2/4TXF-041
4AYTXVH3D4863A	2AYTXVH3C5463A	2/4TXF-054
4AYTXVH3D4863A	2AYTXVH3C5463A	2/4TXF-063

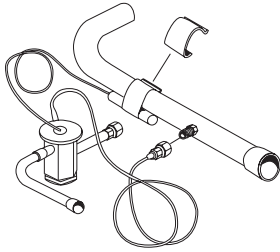
Table AC/IN-3-C Cooling/Heat Pump Non-Bleed TXV Kits- Dual Direction Flow-TXA/C-AS Coils

R-410 Model Number	R-22 Model Number	Used With AS Aluminum Coils
4AYTXVH3B2531A	2AYTXVH3B2531A	2/4TXA, TXC-025
4AYTXVH3B2531A	2AYTXVH3B2531A	2/4TXA, TXC-031
4AYTXVH3B3654A	2AYTXVH3B3637A	2/4TXA, TXC-036
4AYTXVH3B3654A	2AYTXVH3B3637A	2/4TXA, TXC-037
4AYTXVH3B3654A	2AYTXVH3B5454A	2/4TXA, TXC-054
4AYTXVH3B6165A	2AYTXVH3B6565A	2/4TXA, TXC-065

Table AC/IN-3-D Cooling/Heat Pump Non-Bleed TXV Kits- Dual Direction Flow

R-410 Number	R-22 Numbers	Used With Air Handlers
4AYTXVH3D1830A	2AYTXVH3D1830A	2TFB-018-030
4AYTXVH3D1831A	2AYTXVH3D1830A	2TFB-036
4AYTXVH3D1831A	2AYTXVH3D1830A	2/4TFE-025
4AYTXVH3D1831A	2AYTXVH3D1830A	2/4TEC-018-030
—	2AYTXVH3D3636A	2/4TEC-036
4AYTXVH3D3642A	—	2/4TEC-036-042
—	2AYTXVH3D4260A	2/4TEC-042-060
4AYTXVH3D4863A	—	2/4TEC-048-060
4AYTXVH3D1831A	2AYTXVH3D1830A	2/4TEH-018-030
—	2AYTXVH3D3636A	4TEH-036
4AYTXVH3D3642A	—	2TEH-036-042
—	2AYTXVH3D4260A	4TEH-042-060
4AYTXVH3D4863A	—	2TEH-048-060
4AYTXVH3D1800A	2AYTXVH3D1830A	2/4TGB-018
4AYTXVH3D1830A	2AYTXVH3D1830A	2/4TGB-025
4AYTXVH3D1831A	2AYTXVH3D1830A	2/4TGB-030
4AYTXVH3D3600A	2AYTXVH3D1830A	2/4TGB-036
4AYTXVH3D3343A	2AYTXVH3D4260A	2/4TGB-042
4AYTXVH3D4863A	2AYTXVH3D4260A	2/4TGB-048
4AYTXVH3D3642A	2AYTXVH3D4260A	2/4TEE-039
4AYTXVH3D4863A	2AYTXVH3D4260A	2/4TEE-048-064

Thermal Expansion Valves



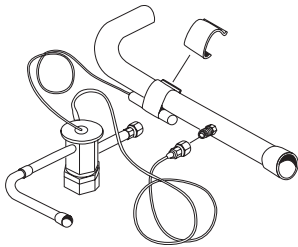
Expansion Valve TXV Cooling Kit

Table AC/IN-4-A — Cooling Bleed TXV Kits – Single Direction Flow

Model Number	Used With AC Units	Liquid Line Connection Dia. I.D. (In.)	Gas Line Connection Dia. I.D. (In.)	Shipping Weight (lbs.)	Refrigerant
TAYTXVA0B5C	1-1½ Ton	1/4	5/8	2	R-22
TAYTXVA0C5C	2-2½ Ton	5/16	3/4	2	R-22
TAYTXVA0E5C	3-3½ Ton	3/8	7/8	2	R-22
TAYTXVA0G5C	4 Ton	3/8	1 1/8	2	R-22
TAYTXVA0H5C	5-6 Ton	3/8	1 1/8	2	R-22

Table AC/IN-4-B — Cooling Non-Bleed TXV Kits – Single Direction Flow

Model Number	Used With AC Units	Liquid Line Connection Dia. I.D. (In.)	Gas Line Connection Dia. I.D. (In.)	Shipping Weight (lbs.)	Refrigerant
TAYTXVA0B3C	1-1½ Ton	1/4	5/8	2	R-22
TAYTXVA0C3C	2-2½ Ton	5/16	3/4	2	R-22
TAYTXVA0E3C	3-3½ Ton	3/8	7/8	2	R-22
TAYTXVA0G3C	4 Ton	3/8	1 1/8	2	R-22
TAYTXVA0H3C	5-6 Ton	3/8	1 1/8	2	R-22



Expansion Valve TXV Heat Pump Kit*

Table AC/IN-4-C — Heat Pump Non-Bleed TXV Kits (also for cooling) – Dual Direction Flow

Model Number	Used With AC Units	Liquid Line Connection Dia. I.D. (In.)	Gas Line Connection Dia. I.D. (In.)	Shipping Weight (lbs.)	Refrigerant
TAYTXVH0B3C	1-1½ Ton	1/4	5/8	3	R-22
TAYTXVH0C3C	2-2½ Ton	5/16	3/4	3	R-22
TAYTXVH0E3C	3-3½ Ton	3/8	7/8	3	R-22
TAYTXVH0G3C	4 Ton	3/8	1 1/8	3	R-22
TAYTXVH0H3C	5-6 Ton	3/8	1 1/8	3	R-22

Table AC/IN-4-D — Cooling/Heat Pump Non-Bleed TXV Kits - Dual Direction Flow*

Model Number	Used With AC Units	Liquid Line Connection Dia. I.D. (In.)	Gas Line Connection Dia. I.D. (In.)	Shipping Weight (lbs.)	Refrigerant
TAYTXVH0D3C	2½ -3 Ton	3/8	1 1/8	2	R-22
TAYTXVH0G3C	4-5 Ton	3/8	1 1/8	2	R-22

Table AC/IN-4-E — R-410A Heat Pump Non-Bleed TXV Kits (also for cooling) - Dual direction flow

Model Number	Used With HP/AC Units	Liquid Line Connection Dia. I.D. (In.)	Gas Line Connection Dia. I.D. (In.)	Shipping Weight (lbs.)	Refrigerant
4AYTXVH3A1830A	1½-2½ Ton	5/16 ^①	3/4 ^②	2	R-410A
4AYTXVH3A3654A	3-4 Ton	3/8	7/8 ^③	2	R-410A
4AYTXVH3A6060A	5 Ton	3/8	7/8	2	R-410A

- ① 1 1/2 ton requires 1/4" liquid line; reducer fittings provided.
 - ② 1 1/2 ton requires 1/2" suction line, 2 ton requires 5/8; reducer fittings provided.
 - ③ 3 & 3 1/2 ton requires 3/4" suction line; reducer fitting provided.
- * Used with TXH coils only where approved for use with 2 compressor systems.

Notes:

- Use in place of FCCV (Above) on air handlers and coils
- Match TXV kit size to outdoor nominal cooling capacity
- Braze field connections

Equipment Date Identification

1980 – 2009

The nine digit serial numbers on all American Standard central air conditioning and heating products are employed to identify the year and fiscal week of product manufacture.

Year of manufactureFirst digit..... **M124X04CF**
 Fiscal week of manufacture.....Second and third digit **M124X04CF**
 Day of week of manufacture.....Fourth digit **M124X04CF**
 Consecutive order of productionLast Five digits **M124X04CF**

Exception – Accessories are an exception to the nine digit serial number assignment and may have only three digits to indicate date code.

Coils which have only three digits to indicate date code are an exception to the nine digit serial number assignment.

Year	Residential, ID & OD ^① Light Commercial Products & Compressors	Ducane Oil ^① Horizontal Gas Furnaces ^②	Year	Residential, ID & OD ^① Light Commercial Products & Compressors	Ducane Oil ^① Horizontal Gas Furnaces ^②
1980	O, A	L	1995	K	95
1981	T	M	1996	K	96
1982	U	N	1997	M	97
1983	W	9	1998	N	98
1984	X	Q	1999	P	99
1985	Y	85	2000	R	—
1986	S	86	2001	Z	—
1987	B	87	2002	2	—
1988	C	88	2003	3	—
1989	D	89	2004	4	—
1990	E	90	2005	5	—
1991	F	91	2006	6	—
1992	G	92	2007	7	—
1993	H	93	2008	8	—
1994	J	94	2009	9	—

① Beginning with 1/1/96 (L01) Ducane oil furnace production uses same date code method as gas furnace. Prior to 1/1/96 Ducane serial number used last four digits = date code, example HA1234569540 1995, 40th week.

Example: 123456-**8 5 4 0**

Year of manufacture _____ Fiscal week of manufacture _____

② Dedicated horizontal gas furnaces, production ceased after introduction of convertible furnaces.

2010

Digit	Description	Current Digit Value Options
1 ST	Second to Last integer of the current calendar year	1 through 9 and blank space, Blank Space used when 0 (zero)
2 ND	Last integer of the current calendar year	0 through 9
3 RD	Fiscal Week (Tens numeral)	0 through 5
4 TH	Fiscal Week (Units numeral)	0 through 9
5 TH	Day of the Week	1 through 7
6 TH	Time Stamp	A through Z and 0 through 9, excluding I, O, Q, V, Y, and Z
7 TH	Time Stamp	A through Z and 0 through 9, excluding I, O, Q, V, Y, and Z
8 TH	Time Stamp	A through Z and 0 through 9, excluding I, O, Q, V, Y, and Z
9 TH	Assembly Line Designator	A through Z and 0 through 9, excluding I, O, Q, V, Y, and Z
10 TH	Plant Code	A, D, F, G, H, V, Y, X

Refrigerant Line Sets

Table AC/IN-6-A — Refrigerant Line Sets

Model Number	Gas Line ^{②③} Dia. O.D.	Liquid Line Dia. O.D.	Length	Shipping Weight
TAYREFLN125	5/8	1/4	25	13
TAYREFLN130	5/8	1/4	30	15
TAYREFLN140	5/8	1/4	40	20
TAYREFLN150	5/8	1/4	50	28
TAYREFLN225	3/4	5/16	25	15
TAYREFLN230	3/4	5/16	30	18
TAYREFLN240	3/4	5/16	40	23
TAYREFLN250	3/4	5/16	50	32
TAYREFLN325	7/8	3/8	25	20
TAYREFLN330	7/8	3/8	30	24
TAYREFLN340	7/8	3/8	40	30
TAYREFLN350	7/8	3/8	50	39
TAYREFLN425	1 1/8 ^①	3/8	25	20
TAYREFLN430	1 1/8 ^①	3/8	30	24
TAYREFLN440	1 1/8 ^①	3/8	40	30
TAYREFLN450	1 1/8 ^①	3/8	50	39
TAYREFLN550	1/2	1/4	50	26
TAYREFLN625	5/8	5/16	25	15
TAYREFLN630	5/8	5/16	30	17
TAYREFLN640	5/8	5/16	40	22
TAYREFLN650	5/8	5/16	50	29
TAYREFLN725	3/4	3/8	25	19
TAYREFLN730	3/4	3/8	30	22
TAYREFLN740	3/4	3/8	40	28
TAYREFLN750	3/4	3/8	50	35
TAYREFLN850	1/2	3/8	50	28
TAYREFLN950	5/8	3/8	50	30

① Gas line is 7/8 O.D. but expanded out to 1-1/8 on the ends.

② Gas line 90° bend one end.

③ Gas line insulation 1/2" thickness.

Note: Contains a holding charge of Nitrogen.

Note: Please refer to page AC/IN-7 for complete Line Set cross reference information.

Refrigerant HFC 410A (R-410A)

Tables contain no allowances for vertical lift!

Table AC/IN-8-A

Liquid Line Selection Table For R-410A Single Speed Systems

Maximum Allowable Liquid Line Pressure Drop =

Subtract .43 PSI for each foot of Liquid Lift (if any).....

Do Not Exceed this value when selecting Liquid Line.....

Tube O.D.	Rated BTUH	Pressure Drop (PSI) For Total Equivalent Length											
		20'	40'	60'	80'	100'	120'	140'	160'	180'	200'	220'	240'
1/4"	15000	4.5	9.0	13.6	18.1	22.6	27.1	31.6	36.2	40.7	45.2	49.7	—
	18000	6.3	12.6	18.8	25.1	31.4	37.7	44.0	—	—	—	—	—
5/16"	15000	1.2	2.4	3.5	4.7	5.9	7.1	8.3	9.4	10.6	11.8	13.0	14.2
	18000	1.6	3.3	4.9	6.6	8.2	9.8	11.5	13.1	14.8	16.4	18.0	19.7
	24000	2.8	5.5	8.3	11.0	13.8	16.6	19.3	22.1	24.8	27.6	30.4	33.1
	30000	4.1	8.3	12.4	16.6	20.7	24.8	29.0	33.1	37.3	41.4	45.5	49.7
	36000	5.8	11.6	17.3	23.1	28.9	34.7	40.5	46.2	—	—	—	—
42000	7.7	15.4	23.0	30.7	38.4	46.1	—	—	—	—	—	—	
3/8"	24000	1.0	1.9	2.9	3.8	4.8	5.8	6.7	7.7	8.6	9.6	10.6	11.5
	30000	1.4	2.9	4.3	5.8	7.2	8.6	10.1	11.5	13.0	14.4	15.8	17.3
	36000	2.0	4.0	6.1	8.1	10.1	12.1	14.1	16.2	18.2	20.2	22.2	24.2
	42000	2.7	5.3	8.0	10.6	13.3	16.0	18.6	21.3	23.9	26.6	29.3	31.9
	48000	3.4	6.8	10.2	13.6	17.0	20.4	23.8	27.2	30.6	34.0	37.4	40.8
60000	5.1	10.3	15.4	20.6	25.7	30.8	36.0	41.1	46.3	—	—	—	
1/2"	42000	.5	1.1	1.6	2.2	2.7	3.2	3.8	4.3	4.9	5.4	5.9	6.5
	48000	.7	1.4	2.0	2.7	3.4	4.1	4.8	5.4	6.1	6.8	7.5	8.2
	60000	1.0	2.1	3.1	4.2	5.2	6.2	7.3	8.3	9.4	10.4	11.4	12.5

Note 1: A blank space indicates a pressure drop of over 50 PSI.
 Note 2: Other existing sources of pressure drop, (solenoid valves, etc.) must be considered.
 Note 3: A vertical run with a heat pump system always results in a liquid lift (heating or cooling).
 Note 4: The smallest liquid line diameter that results in a total liquid line pressure drop of 50 PSI or less results in the most reliable system (fewer pounds of R-410A).

Table AC/IN-8-B

Allowable Vapor Line Diameters and BTUH Loss (R-410A Single Speed Systems)

Nominal Tons	Tube O.D. (Inches)	Press. Drop PSI/100 Ft.	BTUH Loss For Equivalent Length										
			40'	60'	80'	100'	120'	140'	160'	180'	200'	220'	240'
1.0	1/2*	5.0	70	160	250	340	430	520	610	700	790	880	970
	5/8	1.5	20	50	73	100	130	155	180	210	235	265	290
1.5	1/2*	10.8	173	410	640	875	1110	1340	1575				
	5/8	3.1	50	120	185	250	320	385	450	520	585	655	720
2.0	3/4	1.2	20	45	70	95	125	150	175	200	225	255	280
	5/8*	5.4	115	270	430	585	740	895	1050	1205	1360	1515	1670
2.5	3/4	2.0	45	100	160	215	275	330	390	445	505	560	620
	7/8	.9	20	45	70	95	125	150	175	200	225	255	280
3.0	5/8*	8.2	220	515	810	1110	1400	1695	1990	2290	2585	2880	
	3/4	3.0	80	190	295	405	515	620	730	840	945	1055	1160
3.5	7/8	1.3	35	80	130	175	220	270	315	365	410	455	505
	5/8	11.7	380	885	1390	1895	2400	2905	3410				
4.0	3/4*	4.3	140	325	510	700	880	1070	1255	1440	1625	1810	2000
	7/8	1.9	60	145	225	310	390	470	555	635	720	800	880
4.5	3/4*	5.8	220	510	805	1095	1390	1680	1975	2265	2560	2850	3140
	7/8	2.5	95	220	345	475	600	725	850	975	1105	1230	1355
5.0	3/4	7.4	320	745	1170	1600	2025	2450	2875	3305	3730	4155	4580
	7/8*	3.2	140	325	510	690	875	1060	1245	1430	1615	1795	1980
5.5	1-1/8	.9	40	90	145	195	245	300	350	400	455	505	555
	3/4	11.5	620	1450	2280	3105	3935	4760	5590				
6.0	7/8*	4.9	265	615	970	1325	1675	2030	2380	2735	3080	3440	3795
	1-1/8	1.3	70	165	255	350	445	540	630	725	820	915	1005

Note * Rated tube size.
 Note 1: Shaded value indicates more than 10% capacity loss.
 Note 2: Blank space indicates more than 15% capacity loss.

Refrigerant Line Limits

- Do not use traps.
- The suction line diameter must be one of the sizes listed. Use the actual tonnage of the system in selecting line sizes.
- Use the recommended liquid line size unless the total pressure drop (friction loss plus liquid lift) exceeds: 50 PSI.
- Staged condensing unit and heat pumps shall not be applied with more than 80 feet line length. Of the total line length the max vertical limit is 25 feet.

This page contains limited data to fully determine if the application will work or to select required accessories. Please refer to publication 14-4050-01 for complete details and examples.

Refrigerant Piping Information for Allegiance/Heritage 16 & 20 Split Systems

Table AC/IN-9-A

OD Unit nominal capacity	Rated Vapor Line OD	Vapor Service Valve OD	Minimum Alternative Vapor Line OD	Maximum Alternative Vapor Line OD	Rated Liquid Line OD	Liquid Service Valve OD	Minimum Alternative Liquid Line OD	Maximum Alternative Liquid Line OD
Allegiance/Heritage 16								
2 ton CLG	5/8"	5/8"	5/8"	3/4"	5/16"	5/16"	5/16"	3/8"
3 ton CLG	3/4"	3/4"	5/8"	7/8"	3/8"	3/8"	5/16"	3/8"
4 ton CLG	7/8"	7/8"	3/4"	7/8"	3/8"	3/8"	3/8"	3/8"
5 ton CLG	7/8"	7/8"	3/4"	7/8"	3/8"	3/8"	3/8"	3/8"
2 ton HP	5/8"	5/8"	5/8"	3/4"	5/16"	5/16"	5/16"	3/8"
3 ton HP	3/4"	3/4"	5/8"	7/8"	3/8"	3/8"	5/16"	3/8"
4 ton HP	7/8"	7/8"	3/4"	7/8"	3/8"	3/8"	3/8"	3/8"
5 ton HP	7/8"	7/8"	3/4"	7/8"	3/8"	3/8"	3/8"	3/8"
Allegiance/Heritage 20								
2 ton CLG	3/4"	5/8"	5/8"	3/4"	3/8"	3/8"	5/16"	3/8"
3 ton CLG	3/4"	3/4"	5/8"	7/8"	3/8"	3/8"	5/16"	3/8"
4 ton CLG	7/8"	3/4"	3/4"	7/8"	3/8"	3/8"	3/8"	3/8"
5 ton CLG	7/8"	3/4"	3/4"	7/8"	3/8"	3/8"	3/8"	3/8"
2 ton HP	5/8"	5/8"	5/8"	3/4" - 50 feet max length	3/8"	3/8"	5/16"	3/8"
3 ton HP	3/4"	3/4"	5/8"	3/4"	3/8"	3/8"	5/16"	3/8"
4 ton HP	3/4"	3/4"	3/4"	3/4"	3/8"	3/8"	3/8"	3/8"
5 ton HP	3/4"	3/4"	3/4"	7/8" - 50 feet max length	3/8"	3/8"	3/8"	3/8"

Two compressor models share the same refrigeration circuit, however, do not operate simultaneously. Therefore, it is crucial that refrigerant lines be properly sized and do not exceed the length set forth in this guide. Please note it is recommended to use the service valve connection size tubing.

A. Limitations:

1. Line length limits as shipped:
 - A. Vapor line = 80 feet linear length / of the linear length, 25 feet may be installed vertical.
 - B. Liquid line = 80 feet linear length / of the linear length, 25 feet may be installed vertical.

B. Explanation:

1. Refrigerant lines shall not exceed 80 feet total line length. / 25 feet of the 80 feet may be vertical.
2. Liquid sub-cooling may not be achieved on second stage if the liquid line exceeds 80 feet.
3. Oil return may be sacrificed during first stage operation if the vapor line exceeds 80 feet.

Equivalent Length (Ft.) of Non-Ferrous Valves and Fittings (Brazed)

O.D. Tube Size (Inches)	Globe Valve	Angle Valve	Short Radius Ell	Long Radius Ell	Tee Line Flow	Tee Branch Flow
1/2"	70	24	4.7	3.2	1.7	6.6
5/8"	72	25	5.7	3.9	2.3	8.2
3/4"	75	25	6.5	4.5	2.9	9.7
7/8"	78	28	7.8	5.3	3.7	12.0
1-1/8"	87	29	2.7	1.9	2.5	8.0
1-3/8"	102	33	3.2	2.2	2.7	10.0
1-5/8"	115	34	3.8	2.6	3.0	12.0

Information for this chart extracted by permission from A.R.I. Refrigerant Piping Data, page 28.
* For smaller sizes, use 1/2" values.

This page contains limited data to fully determine if the application will work or to select required accessories. Please refer to publication 14-4050-01 for complete details and examples.

For complete equipment / combination selections, installation instructions and warranty information, please refer to Product Data/Ratings and/or Installers Guides and Limited Warranty Handbooks.

6-20 Ton Split Systems

Table AC/IN-10-A — Cooling Component Selection Summary

UNIT	TTA073D	TTA090D	TTA120D	TTA120E	TTA120F	TTA150E	TTA180E	TTA180F	TTA240E	TTA240F
Refrigerant ckts	1	1	1	2	1 (Manifold)	2	2	1 (Manifold)	2	1 (Manifold)
Minimum step (tons)	6	7.5	10	5	5	6.25	7.5	7.5	10	10
GAS LINE					GAS LINE					
Tube diameter (in.)										
Horizontal (& drops)	1 1/8	1 3/8	1 3/8	1 1/8	1 3/8	1 1/8	1 3/8	1 5/8	1 3/8	1 5/8
Vertical (up)	1 1/8	1 3/8	1 3/8	1 1/8	1 1/8	1 1/8	1 3/8	1 3/8	1 3/8	1 5/8
Access port 3/ckt	Schraeder valve w/core*	Schraeder valve w/core*	Schraeder valve w/core*	Schraeder valve w/core*	Schraeder valve w/core*	Schraeder valve w/core*	Schraeder valve w/core*	Schraeder valve w/core*	Schraeder valve w/core*	Schraeder valve w/core*
LIQUID LINE					LIQUID LINE					
Tube diameter (in.)	1/2	5/8	1/2	1/2	1/2	1/2	1/2	5/8	1/2	5/8
Filter drier	DHY01123**	DHY01232**	DHY01123**	DHY01123**	DHY01123**	DHY01123**	DHY01123**	DHY01131**	DHY01123**	DHY01132**
Sight glass 1/ckt	GLS00853	GLS00830	GLS00853	GLS00853	GLS00853	GLS00853	GLS00853	GLS00830	GLS00853	GLS00830
Access port 2/ckt	Schraeder valve w/core*	Schraeder valve w/core*	Schraeder valve w/core*	Schraeder valve w/core*	Schraeder valve w/core*	Schraeder valve w/core*	Schraeder valve w/core*	Schraeder valve w/core*	Schraeder valve w/core*	Schraeder valve w/core*

Check valve selections: 3/8 = VAL08459, 1/2 = VAL08460, 5/8 = VAL01722

Table AC/IN-10-B — TWA Component Selection Summary

UNIT	TWA073D	TWA090D	TWA120D	TWA180E	TWA240E
Refrigerant ckts	1	1	1	2	2
Minimum step (tons)	6	7.5	10	7.5	10
GAS LINE					
Tube diameter (in.)					
Horizontal (& drops)	1 1/8	1 3/8	1 3/8	1 3/8	1 3/8
Vertical (up)	1 1/8	1 3/8	1 3/8	1 3/8	1 3/8
Access port 3/ckt	Schraeder valve w/core*	Schraeder valve w/core*	Schraeder valve w/core*	Schraeder valve w/core*	Schraeder valve w/core*
LIQUID LINE					
Tube diameter (in.)	1/2	5/8	1/2	1/2	5/8
Filter drier	DHY01123 (QTY 2)**		DHY01123 (QTY 2)**	DHY01123 (QTY 2)**	DHY01123 (QTY 2)**
Sight glass 1/ckt	GLS00853	GLS00830	GLS00853	GLS00853	GLS00853
Access port 2/ckt	Schraeder valve w/core*	Schraeder valve w/core*	Schraeder valve w/core*	Schraeder valve w/core*	Schraeder valve w/core*

Check valve selections: 3/8 = VAL08459, 1/2 = VAL08460, 5/8 = VAL01722

*Valve body VAL01483, valve core COR00006, valve cap CAP00072.

**The heat pump products require two filters and two check valves: one set-oriented for liquid in the cooling direction, and one set-oriented for liquid in the heating direction. For units with line lengths in excess of 80 ft, the included filters must be removed and filters from the table must be installed close to the air handler.

Table AC/IN-10-C — Expansion Valves for TTA/TWA 6-20 Ton Applications*

Refrigerant	Manufacturer	Tonnage Range	Model Number	American Standard Part	Model Number w/Check Valve
R-410A	Sporlan	2-3	ERZE-2-ZGA	VAL09476	RCZE-2.0-ZGA
R-410A	Sporlan	3-4	ERZE-3-ZGA	VAL09477	RCZE-3.0-ZGA
R-410A	Sporlan	4-5	ERZE-4-ZGA	VAL09478	RCZE-4.0-ZGA
R-410A	Sporlan	5-6	ERZE-5-ZGA	VAL09479	RCZE-5.0-ZGA
R-410A	Sporlan	6-8	ERZE-6-ZGA	VAL09480	RCZE-6.0-ZGA
R-410A	Sporlan	8-11	ERZE-8-ZGA	VAL09481	—
R-410A	Sporlan	11-14	ERZE-12½-ZGA	VAL09482	—
R-410A	Sporlan	14-17	ERZE-15-ZGA	VAL09483	—
R-410A	Sporlan	17-23	OZE-20-ZGA	VAL09485	—

For complete equipment / combination selections, installation instructions and warranty information, please refer to Product Data/Ratings and/or Installers Guides and Limited Warranty Handbooks.

6-20 Tons Split System

Figure 2. Allowable elevation difference: Cooling-only TTA above indoor unit

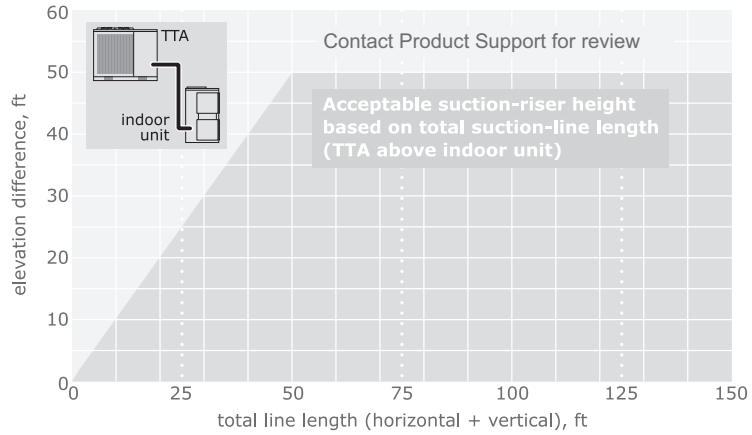


Figure 3. Allowable elevation difference: TWA heat pump above indoor unit

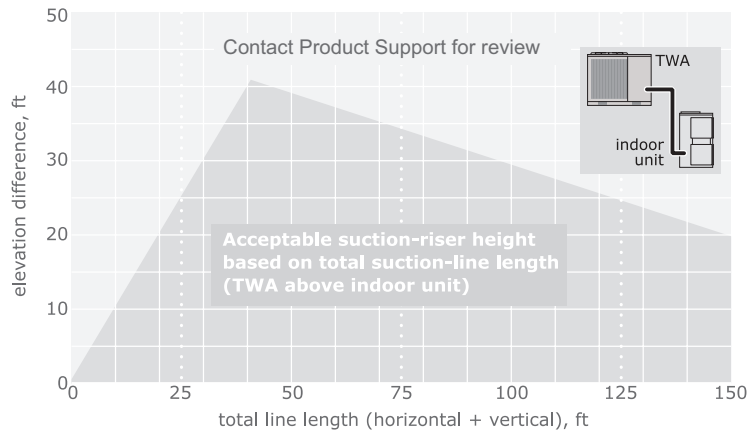
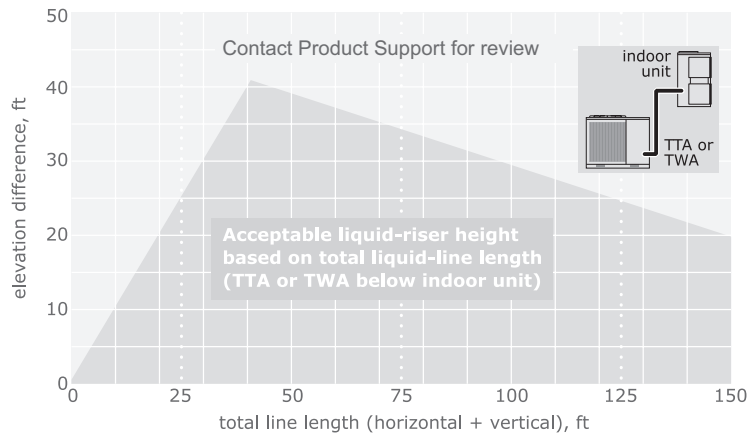


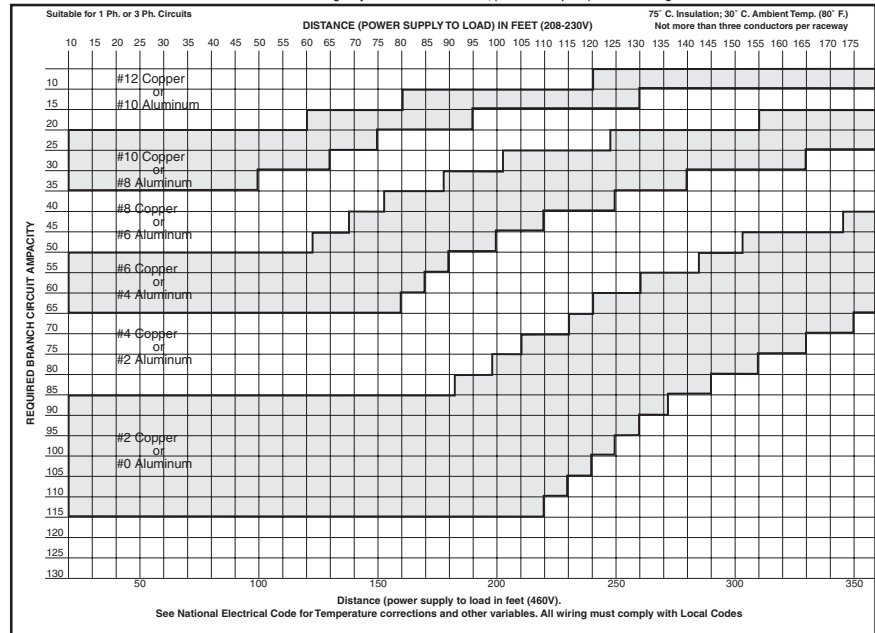
Figure 4. Allowable elevation difference: TTA or TWA below indoor unit



Branch Circuit Wire Sizing Table/ Heater De-Rating Chart

BRANCH CIRCUIT WIRE SIZING TABLE

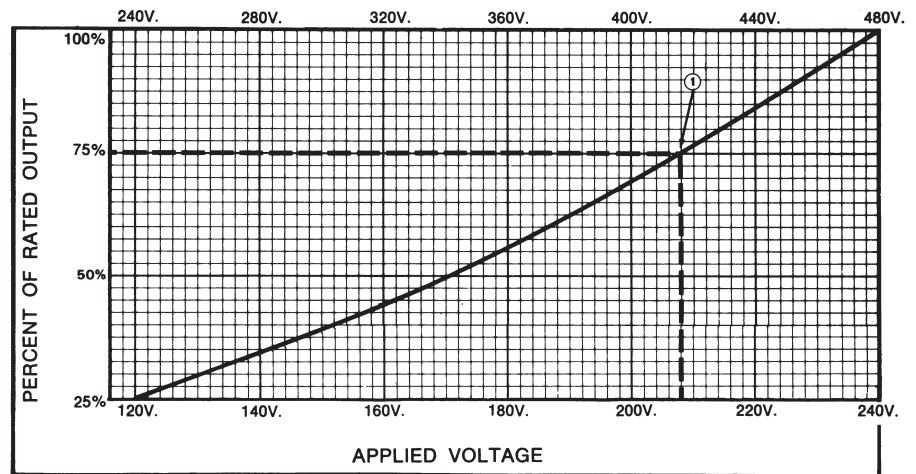
(Based on 2% Voltage Drop)
Chart is based on 75° C. wire. (Types FEPW, RH, RHW, THHW, THWN, XHHW, USE, AND ZW.)
Use Chart For Wire Sizing Only. Refer To Electrical Code, (Or Product Specs.) For Fuse Sizing



Heater De-Rating Chart

The output of electric heaters, applied at voltages other than the rated 240 or 480 volts, can be easily determined with the use of this chart.

ELECTRIC HEATER DE-RATING CHART
(for 240V or 480V Rated Heaters Installed on Lower Voltage Systems)



① EXAMPLE: Calculated Heat Loss — 29,200 BTUH Power Supply — 208V.
The chart indicates that any 240V heater will deliver 75% of its rated capacity at 208V.

$$\frac{29,200 \text{ BTUH}}{.75} = 39,000 \text{ BTUH} \quad \left\{ \begin{array}{l} \text{Select a heater having AT LEAST 39,000 BTUH} \\ \text{capacity at 240V.} \end{array} \right.$$

Basic Air Conditioning Formulas

Basic Air Conditioning Formulas

TO DETERMINE	EXPRESSED AS	COOLING	HEATING and/or HUMIDIFYING
Total Airflow	CFM _T	1. $CFM_T = \frac{N_T V}{60 \text{ min./hr.}}$	1. $CFM_T = \frac{N_T V}{60 \text{ min./hr.}}$
Infiltration or Ventilation	CFM _O	2. $CFM_O = \frac{N_O V}{60 \text{ min./hr.}}$	2. $CFM_O = \frac{N_O V}{60 \text{ min./hr.}}$
Number of Air Changes Per Hour – Total	N _T	3. $N_T = \frac{CFM_T (60 \text{ min./hr.})}{V}$	3. $N_T = \frac{CFM_T (60 \text{ min./hr.})}{V}$
Number of Air Changes Per Hour – Outdoor Air	N _O	4. $N_O = \frac{CFM_O (60 \text{ min./hr.})}{V}$	4. $N_O = \frac{CFM_O (60 \text{ min./hr.})}{V}$
Total Heat (H _T)	Btuh	5. $H_T = CFM_T \times 4.5 \times (h_1 - h_2) = \text{Btuh}$	6. $H_T = CFM_T \times 4.5 \times (h_2 - h_1) = \text{Btuh}$
Sensible Heat (H _S)	Btuh	7. $H_S = CFM_T \times 1.08 \times (T_1 - T_2) = \text{Btuh}$	8. $H_S = CFM_T \times 1.08 \times (T_2 - T_1) = \text{Btuh}$
Latent Heat (H _L)	Btuh	9. $H_L = CFM_T \times .68 \times (W_1 - W_2) = \text{Btuh}$	10. $H_L = CFM_T \times .68 \times (W_2 - W_1) = \text{Btuh}$
Entering Air Temperature (T ₁) (Mixed Air)	°F. D.B.	11. $T_1 = t_1 + \frac{CFM_O}{CFM_T} \times (t_2 - t_1) = \text{°F.D.B. } \textcircled{1}$ $\textcircled{1}$ If duct heat gain is a factor, add to T ₁ : $\frac{\text{Duct Heat Gain (Btuh)}}{CFM_T \times 1.08}$	12. $T_1 = t_1 - \frac{CFM_O}{CFM_T} \times (t_1 - t_2) = \text{°F.D.B. } \textcircled{2}$ $\textcircled{2}$ If duct heat loss is a factor, subtract from T ₁ : $\frac{\text{Duct Heat Loss (Btuh)}}{CFM_T \times 1.08}$
Leaving Air D.B. Temperature (T ₂)	°F. D.B.	13. $T_2 = T_1 - \frac{H_S}{CFM_T \times 1.08} = \text{°F.D.B.}$	14. $T_2 = T_1 + \frac{H_S}{CFM_T \times 1.08} = \text{°F.D.B.}$
Required Airflow	CFM _T	15. $CFM_T = \frac{H_S (\text{total})}{1.08 \times (T_1 - T_2)} = \text{CFM}$ OR $CFM_T = \frac{H_S (\text{internal}) \textcircled{3}}{1.08 \times (t_1 - T_2)} = \text{CFM}$ $\textcircled{3}$ Sensible load of outside air not included	16. $CFM_T = \frac{H_S}{1.08 \times (T_2 - T_1)} = \text{CFM}$
Enthalpy – Leaving Air (h ₂)	Btu/lb. dry air	17. $h_2 = h_1 - \frac{H_T}{CFM_T \times 4.5} = \text{Btu/lb. dry air}$	18. $h_2 = h_1 + \frac{H_T}{CFM_T \times 4.5} = \text{Btu/lb. dry air}$
Leaving Air W.B. Temperature	°F.W.B.	19. Refer to Enthalpy Table and read W.B. temperature corresponding to enthalpy of leaving air (h ₂) (see #17).	20. Refer to Enthalpy Table and read W.B. temperature corresponding to enthalpy of leaving air (h ₂) (see #18).
Heat Required to Evaporate Water Vapor Added to Ventilation Air	Btuh	21. $H_L = CFM_O \times .68 (W_3 - W_O) = \text{Btuh}$	22. $H_L = CFM_O \times .68 (W_3 - W_O) = \text{Btuh}$
Humidification Requirements	Lbs. water/hr.	23. $\left(\begin{array}{l} \text{Make up} \\ \text{Moisture} \end{array} \right) = \frac{\text{Excess Latent Capacity of System} \times \% \text{ Run Time}}{1060 \text{ Btu/lb.}} = \text{lbs./hr.}$ (Industrial Process Work)	24. $\left(\begin{array}{l} \text{Make up} \\ \text{Moisture} \end{array} \right) = \frac{H_L \text{ loss Btuh (see \#22)}}{1060 \text{ Btu/lb.}} = \text{lbs./hr.}$

LEGEND	DERIVATION OF AIR CONSTANTS
<p>CFM_T = Total airflow cubic feet/min. CFM_O = Outdoor air cubic feet/min. N_T = Total air changes per hour N_O = Outdoor air, air changes per hour V = Volume of space cubic feet H_T = Total heat Btuh H_S = Sensible heat Btuh H_L = Latent heat Btuh * h₁ = Enthalpy or total heat of entering air * h₂ = Enthalpy or total heat of leaving air T₁ = Temperature of entering air T₂ = Temperature of leaving air T_{adp} = Apparatus dewpoint t₁ = Indoor design temperature t₂ = Outdoor design temperature W₁ = Grains of water/lb. of dry air at entering condition W₂ = Grains of water/lb. of dry air at leaving condition W₃ = Grains of water/lb. of dry air at indoor design conditions W_O = Grains of water/lb. of dry air at outdoor design conditions</p>	<p>The air constants below apply specifically to standard air which is defined as dry air at 70°F and 14.7 P.S.I.A. (29.92 in. mercury column). They can, however, be used in most cooling calculations unless extremely precise results are desired.</p> <p>4.5 (To convert CFM to lbs./hr.)</p> <p>$4.5 = \frac{60 \text{ min./hr.}}{13.33}$ or $60 \times .075$</p> <p>Where 13.33 is the specific volume of standard air (cu.ft./lb.) and .075 is the density (lbs./cu.ft.)</p> <p>$1.08 = \frac{.24 \times 60}{13.33}$ or $.24 \times 4.5$</p> <p>.24 BTU = specific heat of standard air (BTU/LB./°F)</p> <p>$.68 = \frac{60}{13.33} \times \frac{1060}{7000}$ or $4.5 \times \frac{1060}{7000}$</p> <p>Where: 1060 = Average Latent Heat of water vapor (BTU/LB.) 7000 = Grains per lb.</p>

* See Enthalpy of air (Total Heat Content of Air) Table for exact values.

Low Ambient Accessories Cooling and Heating Models

Table AC/IN-14-A — Low Ambient Accessories Cooling Models

Low Ambient Accessory For American Standard Residential Cooling Units												
Cooling Unit	55°F	30°F to 55°F				0°F to 30° or 20°F to 30°F - Please Reference Lowest Approved Outdoor Operating Temperature per Model Family Table						
	As Manufactured	AY28X079	TXV-NB	CCHT	BAYACHP024	BAYLOAM103	AY28X079	TXV-NB	Start Kit	Compressor Crankcase Heater	Windshield	Liquid Line Solenoid Valve
AS "C"①	X	X	X	X	—	X	X	X	Factory Installed	X	X	X
AS13①	X	X	X	X	—	X	X	X	X	X	X	X
AS14①	X	X	X	X	—	X	X	X	X	X	X	X
Allegiance 13②	X	X	X	X	—	X	X	X	X	X	X	X
Allegiance 15②	X	X	X	X	—	Not Approved						
Allegiance 16③	X	X	X	X	See Note ③	Not Approved						
Allegiance 20③	—	Not Approved				Not Approved						

Table AC/IN-14-B — Low Ambient Accessories Heating Models

Low Ambient Accessory For American Standard Residential Heat Pump Units												
Heat Pump Unit	55°F	30°F to 55°F				0°F to 30° or 20°F to 30°F - Please Reference Lowest Approved Outdoor Operating Temperature per Model Family Table						
	As Manufactured	AY28X079	TXV-NB	CCHT	BAYACHP024	BAYLOAM103	AY28X084	TXV-NB	Start Kit	Compressor Crankcase Heater	Windshield	Liquid Line Solenoid Valve
AS "C"①	X	X	X	X	—	X	X	X	Factory Installed	Factory Installed	X	—
AS13①	X	X	X	X	—	X	X	X	X	X	X	—
AS14①	X	X	X	X	—	X	X	X	X	X	X	—
Heritage 13②	X	X	X	X	—	X	X	X	X	X	X	—
Heritage 15②	X	X	X	X	—	Not Approved						
Heritage 16③	X	X	X	X	See Note ③	Not Approved						
Heritage 20③	—	Not Approved				Not Approved						

Charts are for quick reference only. For complete application guidelines, consult the specific SSC-APG***.

- ① Reference SSC-APG001-EN for complete Low Ambient Guidelines.
- ② Reference SSC-APG002-EN for complete Low Ambient Guidelines.
- ③ Reference SSC-APG005-EN for complete Low Ambient Guidelines.

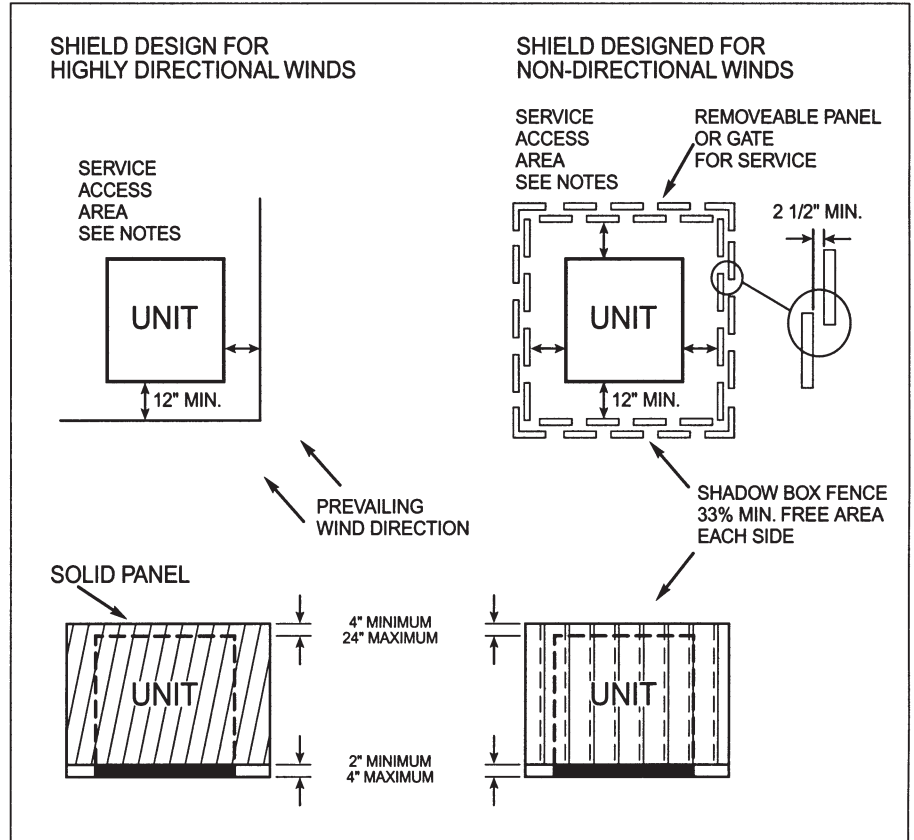
Lowest Approved Outdoor Operating Temperature per Model Family Table	
Model Family	Lowest Approved OD Ambient
Allegiance / Heritage 20	55°F
Allegiance / Heritage 16	30°F
Allegiance / Heritage 15	20°F
Allegiance / Heritage 13	0°F
AS14	20°F
AS13	0°F
AS "C"	0°F

For a detailed Application Bulletin on required accessories and wind shields for low outdoor ambient operation, please contact your Territory Manager or Local FSR.

Wind Shields

Wind Shields are required to block prevailing winds across condenser coil. In applications where cooling

operation is required to 0°F, wind shields are a Must. Use the following guidelines for your application.



Notes:

Minimum working clearance must be in compliance with the National Electric Code. Currently, the minimum clearance between a wood or suitable grounding material type fence requires minimum 3 feet. If other material is used to form the windshield, the minimum space may be increased to 3.5 feet. Please consult the 2006 Edition of the National Electric Code, Article 110 for the most up to date information, please refer to the most current National Electric Code.

For a detailed Application Bulletin on required accessories and wind shields for low ambient operation, please contact your Territory Manager or Local FSR.

American Standard®

HEATING & AIR CONDITIONING

American Standard Heating & Air Conditioning

6200 Troup Highway

Tyler, Texas 75707

<http://www.americanstandardair.com>

© 2011 American Standard Heating & Air Conditioning All rights reserved