



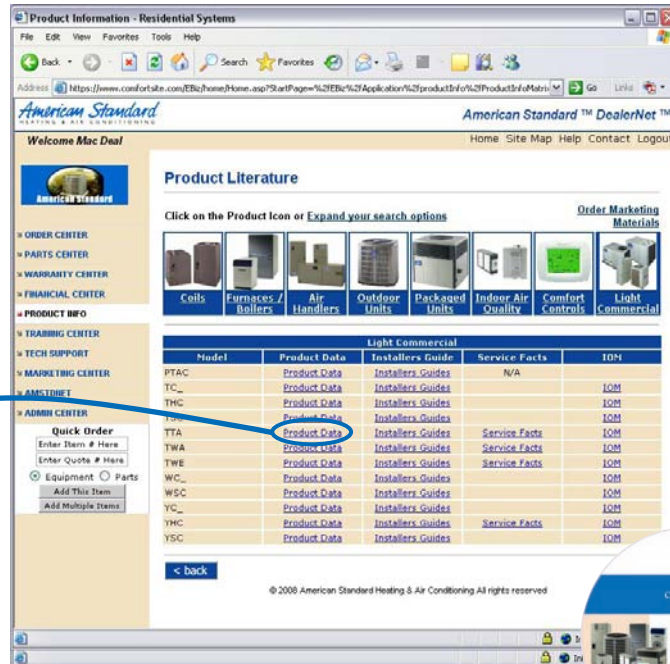
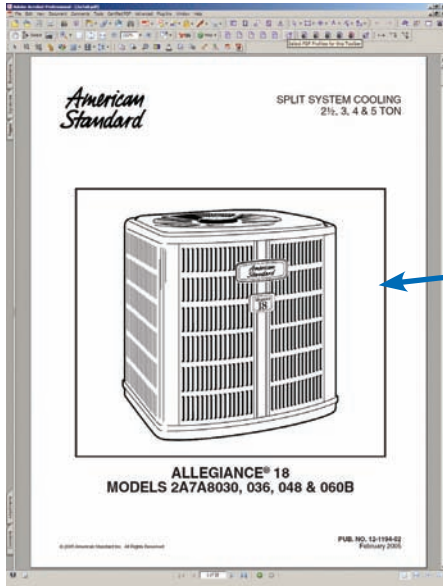
Quick Reference Guide

February 2008

- Reliable
- Comfortable
- Cleaner Air
- High Efficiency
- Long Lasting

American Standard
HEATING & AIR CONDITIONING

Combination Literature DVD



***Just \$99.00 a year!**
Pub. No. 12-9000-08

Information at your Fingertips.

Never has product literature been easier to find and easier to use. This subscription is perfect for all of your sales and service employees who need quick access to product literature. This DVD contains all of the same great information that you can find in the Product Information Section on ASDealerNet™. It has been compiled into one easy to use DVD, so that you can take it with you anywhere.

No internet access needed. View and print any of the following items right from your computer:

- Product Data
- Submittals
- Installer's Guides
- Service Facts
- Limited Warranty Handbook
- Use and Care Guides
- Catalog Pages
- Ratings
- Dealer Sheets
- Light Commercial Publications

American Standard
HEATING & AIR CONDITIONING

*1 year subscription includes automatic updates that will be mailed directly to you approximately 4 times per year.

**This publication is for use with Computer DVD drives only.

Fill out the order form or order on ASDealerNet™.

Heating and Air Conditioning Products

Model Nomenclature	TOC-4
Split System Cooling	
• Single Phase, 1½-5 Tons (2A7A8, 4A7A6, 2A7A5, 4A7A5)	SC-1
• Single Phase, 1½-5 Tons (2A7A4, 4A7A4)	SC-3
• Single Phase, 1½-5 Tons (2A7A3, 4A7A3, 2A7B3, 4A7B3)	SC-5
• Three Phase, 2½-6 Tons (2A7C3, 4A7C3, 2A7C0)	SC-7
• Three Phase, 7½-20 Tons (TTA)	SC-9
• ReliaTel™ Controls, 7½-20 Tons - Protection/Operation Timings and Features ...	SC-12
Split System Heat Pumps	
• Single Phase, 1½-5 Tons (2A6H8, 4A6H6, 2A6H5, 4A6H5)	SH-1
• Single Phase, 1½-5 Tons (2A6H4, 4A6H4)	SH-3
• Single Phase, 1½-5 Tons (2A6H3, 4A6H3, 2A6B3, 4A6B3)	SH-5
• Three Phase, 2½-6 Tons (2A6C3, 4A6C3, 2A6C0)	SH-7
• Three Phase, 7½-20 Tons (TWA)	SH-9
Air Handlers/Heaters	
• Convertibility Chart	AH-1
• Air-Tite™ Features and Benefits	AH-2
• Variable Speed Convertible Communicating (2/4TEE3C)	AH-3
• Variable Speed Convertible with Whole Home Air Cleaner (2/4TEE3D)	AH-4
• Variable Speed Convertible Air-Tite™ (2TEE3F)	AH-5
• Variable Speed Convertible Air-Tite™ (4TEE3F)	AH-6
• Single Phase, 1½-5 Tons (2/4TEH)	AH-7
• Single Phase, 1½-5 Tons (2/4TEC)	AH-8
• Single Phase, 1½-4 Tons (2TGB)	AH-9
• Single Phase, 1½-3 Tons (2TFB, 2/4TFE)	AH-10
• Heaters for Split System and Convertible	AH-11
• Single Phase 5-10 Tons, Three Phase 5-20 Tons (TWE)	AH-15
Furnaces/Boilers	
• Freedom 95, 90 and American Standard 90 Airflow Directions	FUR-1
• Freedom 95 Communicating Convertible (AUH3, ADH3)	FUR-2
• Freedom 95, 90 Convertible (AUH2, AUY, ADH2, ADY)	FUR-3
• Freedom 90 Convertible (AUX2-V, AUX2, ADX2)	FUR-4
• Freedom 90 Convertible (AUX1-H, ADX1-H, AUX1, ADX1)	FUR-5
• American Standard 90 Convertible (AUC1, ADC1)	FUR-6
• Freedom 95, 90 and American Standard 90 Features	FUR-7
• Special Use Furnace Accessories	FUR-9
• Freedom 80 and American Standard 80 Airflow Directions	FUR-10
• Freedom 80 Convertible (AUD2-V, AUD-R-V-K, ADD-R-V-F)	FUR-11
• Freedom 80 Convertible (AUD2, ADD2)	FUR-12
• Freedom 80 Convertible (AUD1-H, ADD1-H, AUD1, ADD1)	FUR-13
• American Standard 80 Convertible (AUE1, ADE1)	FUR-14
• Freedom 80 and American Standard 80 Features	FUR-15
• Variable Speed High Efficiency Oil Furnaces (AHV1, ALF1, ALR1, ADF1)	FUR-17
• High Efficiency Oil Furnaces (AHV1, ALF1, ALR1, ADF1)	FUR-18
• Natural Draft Gas Fired Cast Iron Water Boiler (AGBWF)	FUR-19
• Direct Vent Gas Fired Cast Iron Water Boiler (AGRWF)	FUR-20
• Oil Fired Boiler 3 Pass Cast Iron Heat Exchanger (APFWF)	FUR-21
Coils	
• Split System Aluminum Cased/Uncased Heat Pump and Cooling Coils (2/4TXC-BC, 2/4TXA-AS)	COIL-1
• Split System Aluminum Uncased Heat Pump and Cooling Coils (2/4TXA-BC) ...	COIL-2
• Split System Cased Heat Pump and Cooling Coils (2/4TXF, TXE, TXC-E)	COIL-3
• Uncased Coil Enclosures	COIL-4
Indoor Air Quality	
• AccuClean™ Whole Home Air Cleaner and Upgrade Kits (AFD)	IAQ-1
• Perfect Fit™ Electronic Air Cleaner (TFE)	IAQ-2
• Perfect Fit™ Electronic Media Filters (TFM, TFP)	IAQ-3
• Perfect Fit™ Filter Accessories	IAQ-4
• Humidifiers Fan Powered and Bypass	IAQ-7
• Energy Recovery Ventilator (ERV)	IAQ-10

• • • • •

This publication is for general reference information only and is not intended for systems equipment / combination selections.

Products listed in this book are not always carried in factory/distributor inventory, nor are all products available through all distribution channels. Consult your Distributor for availability and shipping information.

Since American Standard Heating & Air Conditioning has a policy of continuous product improvement, it reserves the right to change design and specification without notice.

• • • • •

Heating and Air Conditioning Products

Packaged Cooling

• Convertible, 2-5 Tons (4TCY4)	PC-1
• Convertible, 1½-5 Tons (4TCX3)	PC-2
• Convertible, 1½-5 Tons (4TCC3)	PC-3
• Convertible, 1½-5 Tons Accessories & Heaters	PC-4
• Manufactured Housing, 2-3½ Tons (TCK)	PC-6
• Over/Under, 2-5 Tons (TCH)	PC-8
• Convertible, 3-10 Tons Features	PC-9
• Convertible, 3-5 Tons, High Efficiency (THC)	PC-10
• Convertible, 3-10 Tons, Standard Efficiency (TSC)	PC-11
• Convertible, 6-10 Tons, High Efficiency (THC)	PC-12
• Convertible, 3-10 Tons Model Digit Numbers	PC-13
• Convertible, 3-10 Tons Heaters, Accessories, & Zone Sensors/Controls	PC-14
• ReliaTel™ Controls (Packaged Unit Protection/ Operation Timing & Features)	PC-19
• ReliaTel™ Controls (Operation with an Electromechanical Thermostat)	PC-20
• Packaged Cooling with ReliaTel™ Controls, 12½-25 Tons, R-22 (TCD/TCH)	PC-21
• Packaged Cooling with ReliaTel™ Controls, 12½-25 Tons, R-410A (TCD-E/TCH-E)	PC-22
• Packaged Cooling with ReliaTel™ Controls, 12½-25 Tons Zone Sensors/Controls	PC-24
• Packaged Cooling with ReliaTel™ Controls, 12½-25 Tons Accessories & Heaters	PC-25

Packaged Heat Pump

• Convertible, 3-5 Tons (4WCZ6)	PH-1
• Convertible Dual Fuel, 3-5 Tons (4DCZ6)	PH-2
• Convertible, 2-5 Tons (4WCY4)	PH-3
• Convertible Dual Fuel, 2-5 Tons (4DCY4)	PH-4
• Convertible, 1½-5 Tons (2/4WCX3)	PH-5
• Convertible, 1½-5 Tons (2/4WCC3)	PH-6
• Convertible, 1½-5 Tons Accessories & Heaters	PH-7
• Convertible, 3-5 Tons (WCZ)	PH-9
• Manufactured Housing, 2-3½ Tons (WCK)	PH-11
• Over/Under 2-5 Tons (WCH)	PH-13
• Convertible, 3-10 Tons Features	PH-15
• Convertible, 3-10 Tons (WSC)	PH-16
• Convertible, 3-10 Tons Model Digit Numbers	PH-17
• Convertible, 3-10 Tons Heaters, Accessories, & Zone Sensors/Controls	PH-18
• Packaged Heat Pump with ReliaTel™ Controls, 12½-20 Tons (WCD/WCH)	PH-21
• Packaged Heat Pump with ReliaTel™ Controls, 12½-25 Tons Zone Sensors/Controls	PH-22
• Packaged Heat Pump with ReliaTel™ Controls, 12½-20 Tons Accessories & Heaters	PH-23

Packaged Gas/Electric

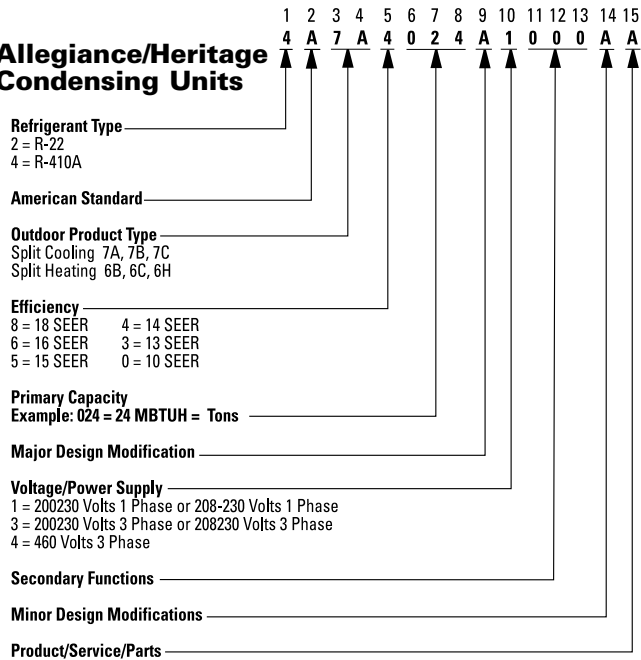
• Convertible, 3-5 Tons (4YCZ6)	PG-1
• Convertible, 2-5 Tons (4YCY4)	PG-2
• Convertible, 2-5 Tons (2YCX3)	PG-3
• Convertible, 1½-5 Tons (4YCX3)	PG-4
• Convertible, 2-5 Tons (2YCC3)	PG-5
• Convertible, 1½-5 Tons (4YCC3)	PG-6
• Convertible, 1½-5 Tons Accessories	PG-7
• Convertible, 3-5 Tons (YCZ-F)	PG-8
• Convertible, 3-10 Tons Features	PG-10
• Convertible, 3-5 Tons 15 SEER R-410A (YHC)	PG-11
• Convertible, 3-5 Tons 13 SEER R-22 (YHC)	PG-12
• Convertible, 3-10 Tons, Standard Efficiency (YSC)	PG-13
• Convertible, 6-10 Tons, High Efficiency (YHC)	PG-16
• Convertible, 3-10 Tons Model Digit Numbers	PG-17
• Convertible, 3-10 Tons Accessories, & Zone Sensors/Controls	PG-18
• Packaged Gas/Electric with ReliaTel™ Controls 12½-15 Tons, R-22 (YCD/YCH)	PG-20
• Packaged Gas/Electric with ReliaTel™ Controls 17½-25 Tons, R-22 (YCD/YCH)	PG-21
• Packaged Gas/Electric with ReliaTel™ Controls 12½-25 Tons, R-410A (YCD-E/YCH-E)	PG-22
• Packaged Gas/Electric with ReliaTel™ Controls, 12½-25 Tons Accessories & Zone Sensors/Controls	PG-24

Heating and Air Conditioning Products

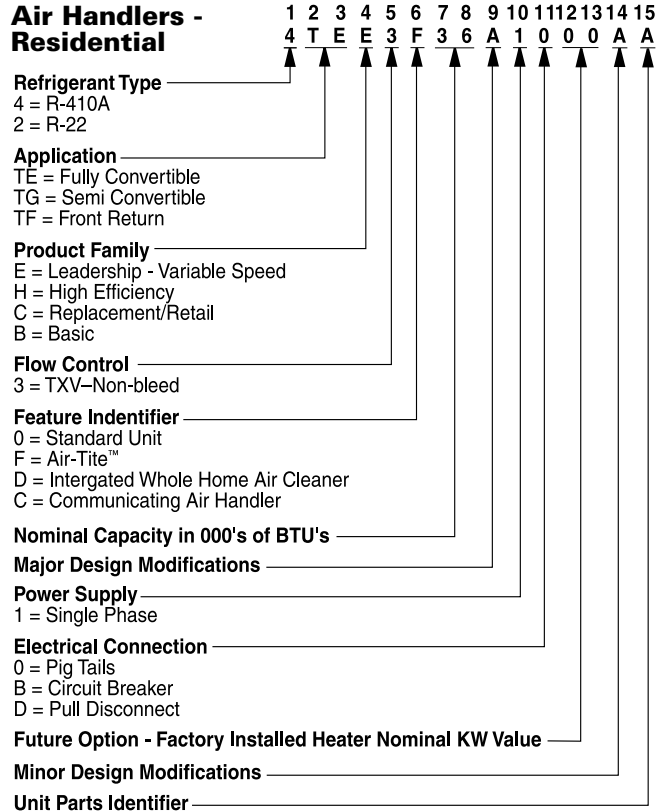
Factory Installed Options	
• Commercial Packaged Units 12½-25 Tons	FIOPS-1
• Factory Installed Options Accessories	FIOPS-2
Comfort Controls/Zone Sensors	
• Comfort Control Definitions	CCZS-1
• Programmable 7 Day	CCZS-2
• Programmable 5/2 Day	CCZS-3
• Non-Programmable	CCZS-4
• Remote Sensors	CCZS-5
• Humidity Control	CCZS-6
• Relay Hook-Up	CCZS-6
• Indoor Fan Delay Relay Kit	CCZS-7
• Outdoor Thermostat Kit	CCZS-7
• Heat Pump	CCZS-8
• Multiple Stage	CCZS-8
• Cooling Only	CCZS-9
• Single Stage	CCZS-9
• Non-Programmable for ReliaTel™ Units	CCZS-10
• Programmable for ReliaTel™ Units	CCZS-10
• Zone Sensor Unit Installation	CCZS-12
• Micro Control Zone Sensors	CCZS-13
Packaged Terminals/Unit Heaters	
• Packaged Terminal Air Conditioners and Heat Pumps	PTAC/UH-1
• Indoor Gas Heating Products	PTAC/UH-5
Extended Warranties	
• Labor Options	WA-1
• Standard Servicer Guidelines	WA-2
• Expanded Servicer Guidelines	WA-3
• Optional Extended Warranty Benefits	WA-4
• General Notes	WA-6
• Warranty Model Numbers and Descriptions	WA-7
Accessories/Information	
• Roof Curbs (BAYCURB050A, BAYCURB051A)	AC/IN-1
• Impack™ Roof Curbs (BAYCURB030A, BAYCURB038A)	AC/IN-2
• Impack™ Roof Curbs (BAYCURB033A, BAYCURB034A)	AC/IN-3
• Thermal Expansion Valves	AC/IN-4
• Refrigerant Line Sets	AC/IN-6
• Base Pan Sizes	AC/IN-7
• Equipment Date Identification	AC/IN-10
• Refrigerant HCFC 22 (R-22)	AC/IN-11
• Refrigerant HFC 410A (R-410A)	AC/IN-12
• 7.5-20 Ton Split System	AC/IN-15
• Branch Circuit Wire Sizing Table/Heater De-Rating Chart	AC/IN-17
• Basic Air Conditioning Formulas	AC/IN-18
• Low Ambient Accessories, Cooling Models	AC/IN-19
• Low Ambient Accessories, Heat Pump Models	AC/IN-20
• Wind Shields	AC/IN-21
Ameristar™ by American Standard Heating and Air Conditioning	
• Split Air Conditioners and Heat Pumps (2A7M3, 2A6M3)	AM-1
• Furnaces (CUB1, CDB1, CUX1, CDX1)	AM-2

Model Nomenclature

Allegiance/Heritage Condensing Units

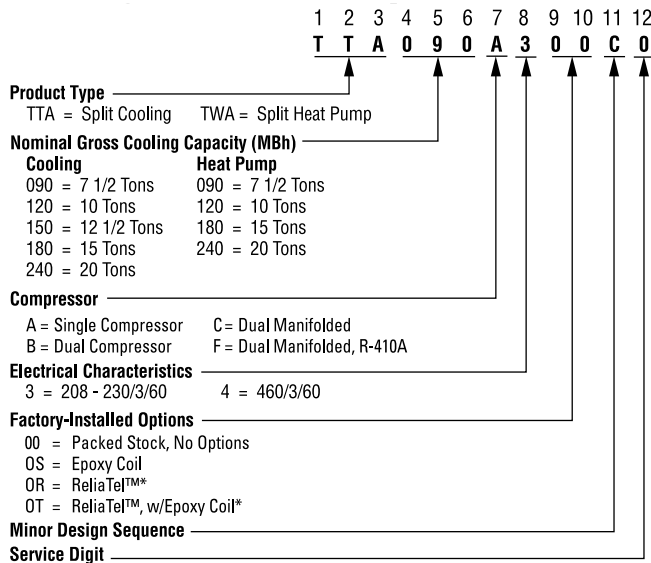


Air Handlers - Residential



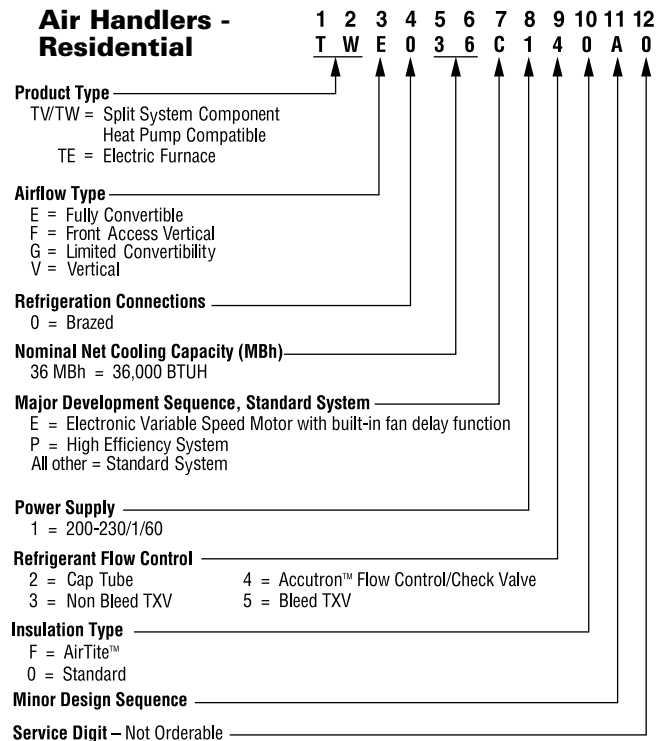
NOTE: There will be a phase-in of new model numbers for new air handlers over next 2 years.

Commercial Condensing Units Cooling and Heat Pump



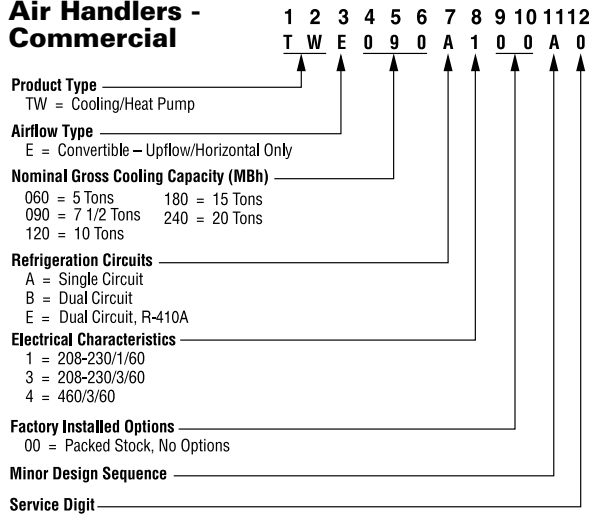
*TTA only.

Air Handlers - Residential

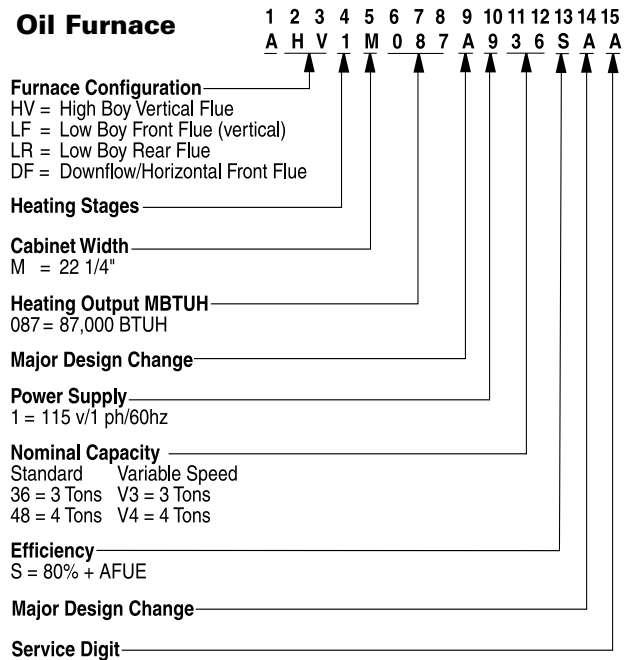


Model Nomenclature

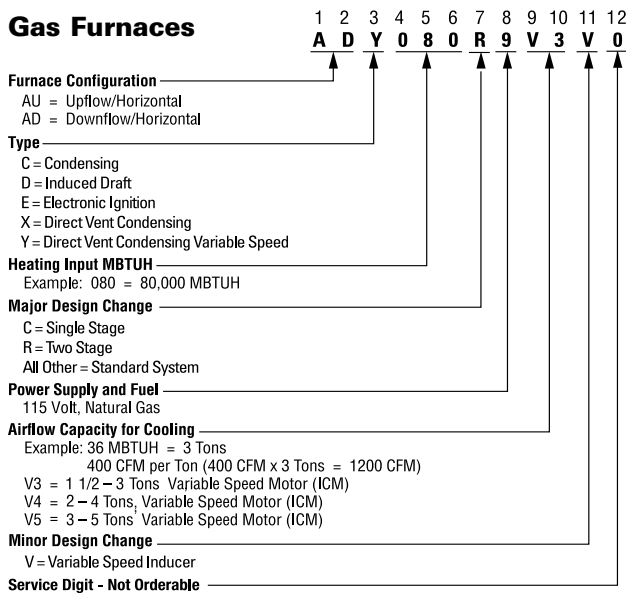
Air Handlers - Commercial



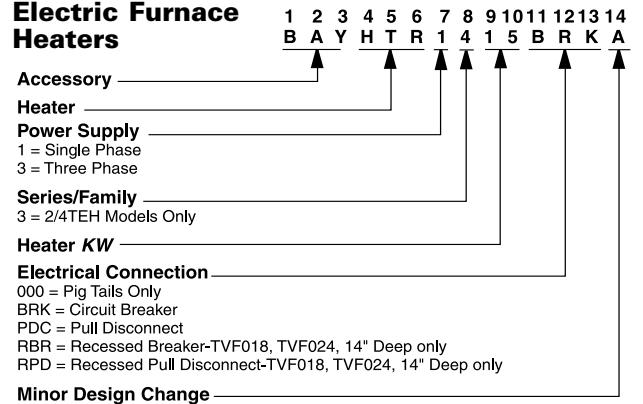
Oil Furnace



Gas Furnaces

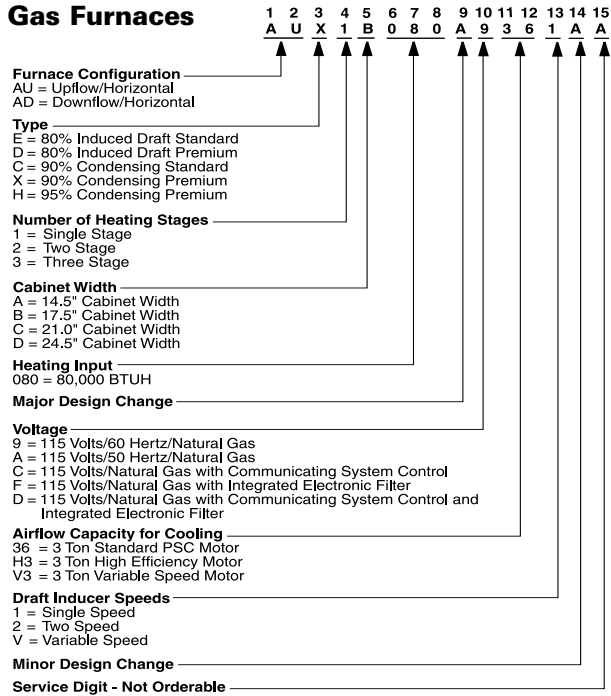


Air Handler/ Electric Furnace Heaters

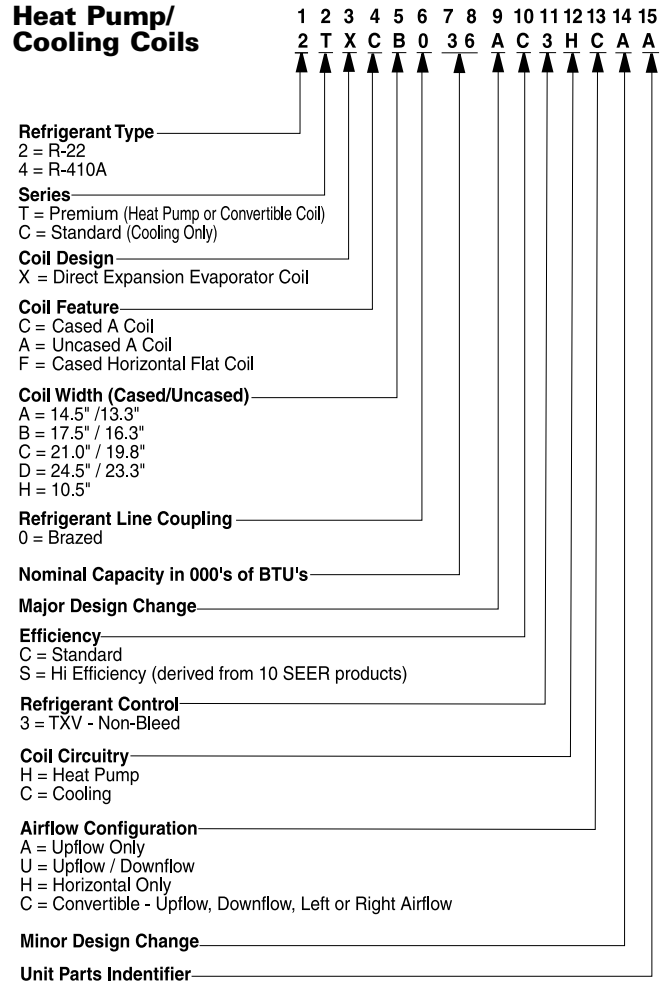


Model Nomenclature

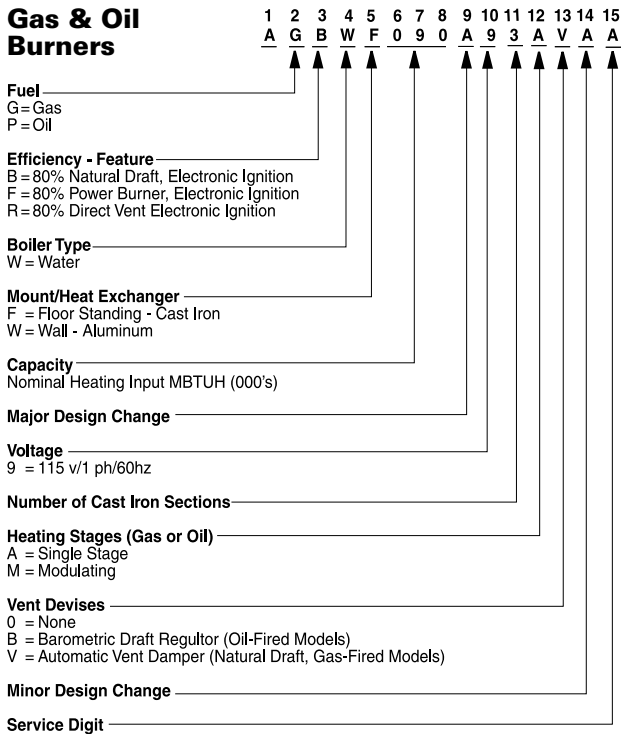
Gas Furnaces



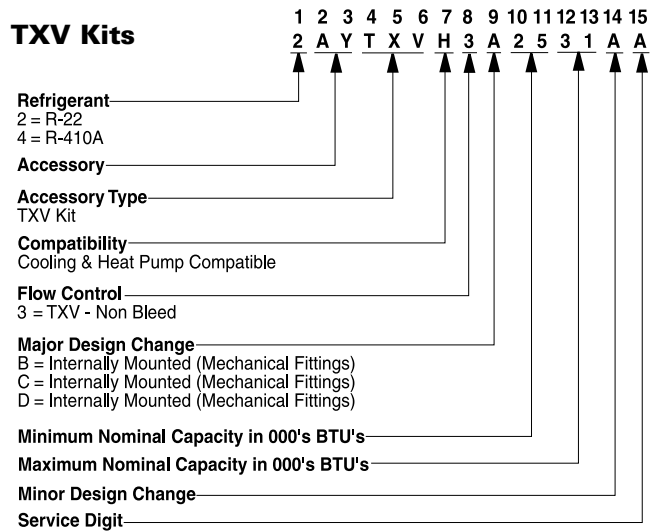
Heat Pump/ Cooling Coils



Gas & Oil Burners



TXV Kits



Model Nomenclature

Split System Heat Pump/Cooling Coils

1 2 3 4 5 6 7 8 9 10 11 12
T X C 0 2 4 C 4 H P C 0

Refrigerant Type

C or T = R-22
R = R-410A

Furnace Coils

XA = Uncased "A" Coil Upflow/Downflow
XC = Cased Coil Upflow/Downflow/Horizontal
XH = Cased Horizontal Only
CB = Cased/Upflow - Cooling Only
UB = Uncased/Upflow - Cooling Only

Coupling/Coil Width (Uncased/Cased)

0 = Braze A = 13/14-1/2 B = 16/17-1/2
C = 19-1/2/21 D = 23/24-1/2

Nominal Capacity in 000's of BTU's

Product Family

C = Universal
S = High Efficiency - Non-Bleed TXV
E = High Efficiency - Bleed TXV
A = Upflow Only
D = Reverse Airflow
B = Light Commercial
P = Premier

Refrigerant Control

3 = Non Bleed TXV
4 = **Accutron™** Flow Control/Check Valve (FCCV) R-22
5 = Bleed TXV

HP = Heat Pump

AC = Cooling only
00 = Cooling only (dual circuit or 10 ton)

Minor Design Change

Unit Parts identifier

Comfort Controls

1 2 3 4 5 6 7 8 9 10 11 12 13 14 15
A C O N T 2 0 0 A N 1 1 A A A

Brand

Control (Thermostat)

Model Series

Major Design Modifications

Control Platform

M = Mechanical
N = Non-programmable Electronic (Digital Display)
F = Five/Two Programmable Electronic (Digital Display)
S = Seven Day Programmable Electronic (Digital Display)
C = Communicating
W = Wireless

Heating Stages

Cooling Stages

Equipment Application

A = AC / Heat (Gas, or Electric)
G = AC / Heat (Gas)
E = AC / Heat (Electric)
H = Heat Pump
M = Multi-Application - AC / Heat (Gas/Elec) / Heat Pump
D = Dual Fuel Heat Pump or AC and Heat (Gas/Elec)
C = Communicating
U = Universal Application - Communicating or 24 Vac Control of AC/Heat (Gas/Elec) / Dual Fuel Heat Pump

Minor Design Modifications

Service Digit

Humidifier Accessory

1 2 3 4 5 6 7 8 9 10 11 12 13 14 15
B A Y R L Y 1 0 A S E N S A A

Accessory

Description

RLY = Relay
PAD = Humidifier Replacement Pad
PLT = Adapter Plate

Accessory Series

Major Modification

Accessory Type

SENS = Sensing
1310 = Height x Width (Dimensions)
MHCO = Manual Humidifier Control

Minor Modification

Service Digit

Humidifier Controls

1 2 3 4 5 6 7 8 9 10 11 12 13 14 15
A C O N T H 0 1 A A U T O A A

Brand

Accessory Type

CONT = Control

Accessory

H = Humidifier

Model Series

Major Modification

Control Type - Automatic or Manual

SENS = Sensing
1310 = Height x Width (Dimensions)
MHCO = Manual Humidifier Control

Minor Modification

Service Digit

Humidifier

1 2 3 4 5 6 7 8 9 10 11 12 13 14 15
A H U M D 2 0 0 A B M 0 0 A A

Brand

Accessory Type

Model Series

200, 300, 500

Major Design Change

Humidifier

Humidifier Type

B = Bypass, Flow Through
P = Fan Powered, Flow Through

Control

M = Manual
A = Automatic

Secondary Function-Blank

Minor Design Change

Service Digit

American Standard AccuClean™ Whole Home Air Cleaner

1 2 3 4 5 6 7 8 9 10 11 12 13 14 15
A F D 1 4 5 A L F R 0 0 0 A A

Brand _____

Filtration _____

ifD _____

Size _____
 Furnace Furnace Air Handler
 Upflow Downflow
 145 = 14.5" 14D = 14.5" 215 = 21.5"
 175 = 17.5" 17D = 17.5" 235 = 23.5"
 210 = 21.0" 21D = 21.0" 260 = 26.0"
 245 = 24.5" 24D = 24.5"

Major Design Series _____

Power Supply _____
L = Low Voltage

Application _____
 AH000 = Air Handler
 FR000 = Furnace
 UPGRD = Upgrade Kit

Minor Design _____

Service Sequence Not Orderable _____

Perfect Fit™ Air Cleaner

1 2 3 4 5 6 7 8 9 10 11 12
T F E 175 A 9 FR 0 0

Filter _____

Filter Type _____
E = Electronic M = Media, 5 Inch P = Pleated, 1 Inch

Product Dimension _____
 145 = 14.5 Inch Furnace Width 215 = 21.5 Inch Air Handler Width
 175 = 17.5 Inch Furnace Width 235 = 24.0 Inch Air Handler Width
 210 = 21.0 Inch Furnace Width 260 = 26.0 Inch Air Handler Width
 245 = 24.0 Inch Furnace Width

Product Development Sequence _____
 A = 5" Cartridge Media (Rigid)
 B = 5" Expandable Media

Electrical _____
0 = None 1 = 240V 9=120V

Product Description _____
 AH = Air Handler
 FR = Furnace

Minor Modification Code _____

Product Service Code _____

Perfect Fit™ Filter Accessories

1 23 45 67 89 10 11 12
B AY FT FR 17 M 2 A

Business Unit _____

Accessory _____

Filter _____

Product Type _____
 AH = Air Handler
 FR = Furnace

Size _____
 14 Inch 21 Inch 24 Inch EX= Expandable
 17 Inch 23 Inch 26 Inch

Type _____
 M = Media, 5 Inch T = Throwaway, Fiberglass, 1 Inch
 P = Pleated, 1 Inch W = Permanent-Washable, 1 Inch

Quantity _____
2 = 2 4 = 4 D = Dozen

Design Sequence _____

Accessories

1 2 3 4 5 6 7 8 9 10 11
A Y E C O N O O 1 A A

Denotes Accessories (AY, ASY, BAY, TAY) _____

Accessories Type, Example: _____

ASCT = Anti-Cycle Timer	KSKT = Start Accessory Kit
BARM = Barometric Relief	LEG = Snow Legs
BASE = Subbase	LOAM = Low Ambient
BRZQ = Coupling Kit Adaptors	LPKT = L.P. Kit
CCHT = Crankcase Heater	NXKT = NOx Rod Accessory Kit
CLE = Coil Enclosures	PANL = Panel
CURB = Roof Curb	PLNM = Plenum
DMPR = Damper	PLUS = Add-on Heat Pump
DNFLW = Downflow Conversion Kit	REFLN = Refrigerant Lines
ECON = Economizer	RLAY = Relay
ENTH = Enthalpy Control	SENS = Sensor
FLTR = Filter	STAT = Thermostat
GARD = Coil Guard	TBKT = Thru Base Utility Kit
GRLE = Return Air Grill	TEST = Test Accessory
HALT = High Altitude Kit	TMR = Transformer
HGBP = Hot Gas Bypass Control	TWIN = Twinning Kits
HSMT = High Static Motor	TXVA = Cooling — Bleed/Non Bleed Kits
HTRA = Electric Heater	TXVH = Heat Pump Non Bleed Kits
(Digit 7 Is Used To Differentiate The Products Accessory It's Used With)	WAR = Warranty
	WATR = Hydronic Heat Coils
	2STG = 2 Stage Gas
ISLT = Isolator	

Major Design Sequence _____
 Numbers Are Sequentially Assigned Except For Electric Heaters.
 On Electric Heaters Digit 8 Is Used To Identify Voltage And Digit 9 And 10 Are Used To Identify Capacity In KW's.

Minor Design Sequence _____
 Accessory To Unit Match-up (When Required)

Service Digit (When Required) _____

Energy Recovery Ventilator (ERV)

1 2 3 4 5 6 7 8 9 10 11 12 13 14 15
A E R V R 1 0 0 A 9 P 0 0 A A

Brand _____

Product Type _____
ERV = Energy Recovery Ventilator

Feature Tier _____
 B = Future
 R = PSC Blower/PT Control
 X = Future

Model Family (Nominal Airflow) _____
 100 = 140 cfm @ .2" wg
 200 = 200 cfm @ .2" wg
 300 = 315 cfm @ .4" wg

Major Design Modification _____

Power Supply _____
1 = 115 v/1 ph/60 hz

Type of Defrost _____
P = Passive

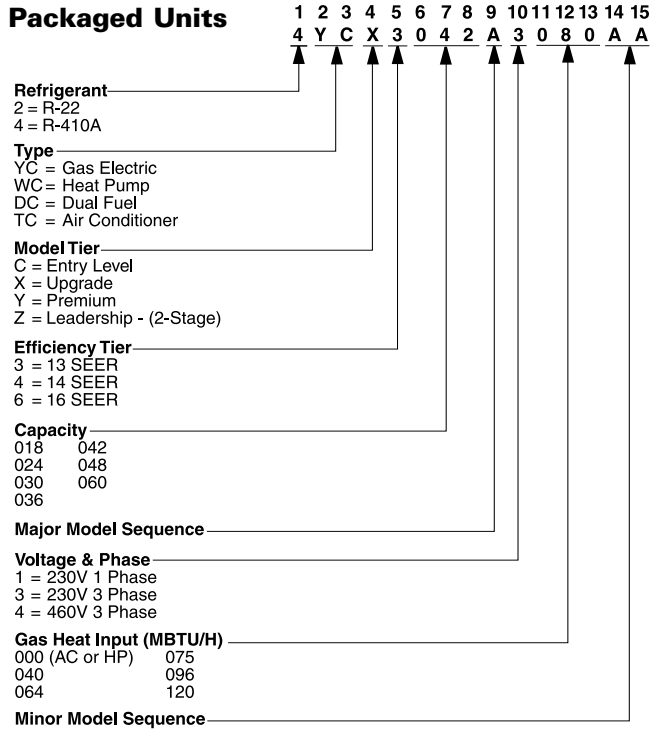
Open _____

Minor Design Change _____

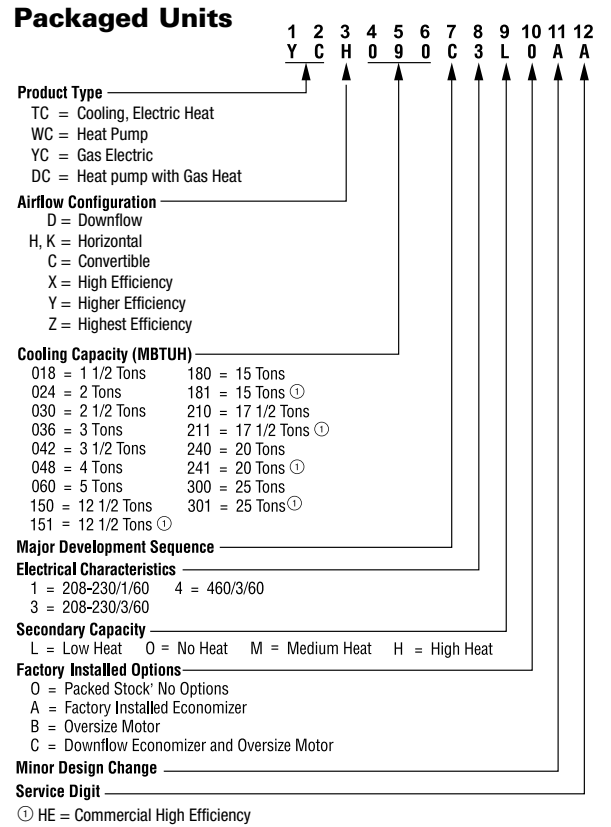
Service Digit _____

Model Nomenclature

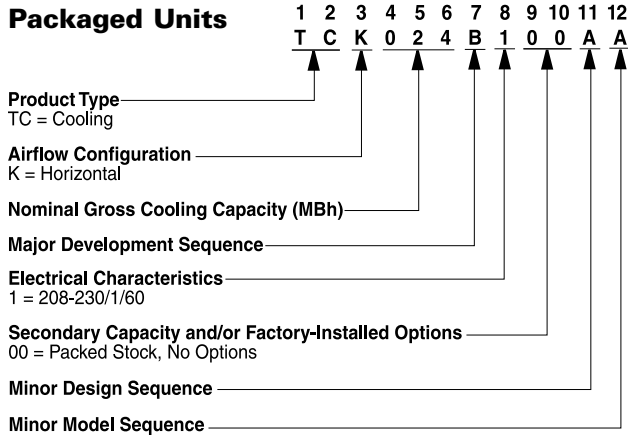
Packaged Units



Packaged Units



Packaged Units



Model Nomenclature

Packaged Units

T S C 0 3 6 A 3 R B A A C 0 0 0 A 1 0 0 0 0 A 1
1 2 3 4 5 6 7 8 9 10 11 12 13 14 15 16 17 18 19 20 21 22 23 24 25

Unit Function (Digit 1)

T = Cooling
W = Packaged Heat Pump
Y = Cooling and Gas Heat

Efficiency (Digit 2)

S = Standard Efficiency H = High Efficiency

Airflow (Digit 3)

C = Convertible

Nominal Gross Cooling Capacity (MBH) (Digit 4, 5, 6)

033 = 3 Ton 072 = 6 Ton
036 = 4 Ton 090 = 7 1/2 Ton Single Compressor
043 = 4 Ton 092 = 7 1/2 Ton Dual Compressors
048 = 4 Ton 102 = 8 1/2 Ton
060 = 5 Ton 120 = 10 Ton
063 = 5 Ton

Major Design Sequence (Digit 7)

A = First R=22 E=410A

Unit Voltage (Digit 8)

1 = 208-230/1/60 4 = 460/3/60
3 = 208-230/3/60 W = 575/3/60

Unit Controls (Digit 9)

E = Electro-Mechanical R = ReliaTel™Micro-processor

Heater (Digit 10)

0 = No Electric Heater F = 14 kW (1 phase) L = Low-GasⓄ
A = 5 kW (1 phase) G = 18 kW (1 and 3 phase) M = Medium-GasⓄ
B = 6 kW (3 phase) J = 23 kW (3 phase) H = High-GasⓄ
C = 9 kW (3 phase) K = 27 kW (3 phase)
D = 10 kW (1 phase) N = 36 kW (3 phase)
E = 12 kW (3 phase) P = 54 kW (3 phase)

Minor Design Sequence (Digit 11)

A = First Sequence (Factory Assigned)

Service Sequence (Digit 12, 13)

A, A = First Sequence

Fresh Air Selection (Digit 14)

0 = No Fresh Air F = Economizer, Reference Enthalpy
A = Manual Outside Air Damper 0-50% 0-100% with Barometric Relief
B = Motorized Outside Air Damper 0-50% G = Economizer, Comparative Enthalpy
C = Economizer, Dry Bulb 0-100% 0-100% without Barometric Relief
without Barometric Relief H = Economizer, Comparative Enthalpy
D = Economizer, Dry Bulb 0-100% 0-100% with Barometric Relief
with Barometric Relief
E = Economizer, Reference Enthalpy
0-100% without Barometric Relief

Supply Fan/Drive Type/Motor (Digit 15)

0 = Standard Drive 1 = Oversized Motor 2 = Optional Belt Drive Motor

Hinged Service Access and Filters (Digit 16)

0 = Standard Panels/Standard Filters B = Standard Panels/2" Pleated Filters
A = Hinged Access Panels/Standard Filters C = Hinged Access Panels/2" Pleated Filters

Condenser Coil Protection (Digit 17)

0 = Standard Coil 2 = Epoxy Coated Condenser Coil
1 = Standard Coil with Hail Guard 3 = Epoxy Coated Condenser Coil with Hail Guard

Through the Base Provisions (Digit 18)

0 = No Through the Base Provisions B = Through the Base Gas
A = Through the Base Electric C = Through the Base Electric and Gas

Disconnect/Circuit Breaker (3 phase only) (Digit 19)

0 = No Disconnect or Circuit Breaker 2 = Circuit Breaker 4 = Phase Monitor and Non-Fused Disconnect
1 = Non-Fused Disconnect 3 = Phase Monitor 5 = Phase Monitor and Circuit Breaker

Convenience Outlet (Digit 20)

0 = No Convenience Outlet A = Unpowered Convenience Outlet B = Powered Convenience Outlet (3 phase only)

Communications Options (Digit 21)

0 = No Communications Interface 2 = LonTalk®Communications Interface
1 = Comm 3/4 Communications Interface 3 = Novar Controls

Refrigeration System Option (Digit 22)

0 = Standard Refrigeration System A = Thermal Expansion Valve (TXV)* B = Dehumidification (Hot Gas Reheat)

Refrigeration Controls (Digit 23)

0 = No Refrigeration Control 5 = High Pressure Control and Crankcase Heater*
A = High Pressure Control* 6 = Frostat and Crankcase Heater
2 = Frostat 7 = High Pressure Control, Frostat and Crankcase Heater*
3 = Crankcase Heater
4 = High Pressure Control and Frostat*

Smoke Detector (Digit 24)

0 = No Smoke Detector B = Supply Air Smoke Detector
A = Return Air Smoke Detector C = Supply and Return Air Smoke Detectors

Monitoring Controls (Digit 25)

0 = No Monitoring Control 5 = Clogged Filter Switch and Discharge Air Sensing Tube
1 = Clogged Filter Switch 6 = Fan Fail Switch and Discharge Air Sensing Tube
2 = Fan Failure Switch 7 = Clogged Filter and Fan Fail Switches
3 = Discharge Air Sensing Tube Discharge Air Sensing Tube
4 = Clogged Filter Switch and Fan Fail Switch

*Standard with R-410A

Ⓞ Gas Units

Model Nomenclature

Indoor Gas Heating Units

A P N D 0 0 3 A A F 1 0 0 0 0 +
1 2 3 4 5 6 7 8 9 10 11 12 13 14 15 +

- Gas Heating Equipment (Digit 1)**
 - P = Propeller Fan Unit Heater
 - B = High Efficiency Centrifugal Fan Unit Heater
- Fuel (Digit 3)**
 - N = Natural Gas
 - P = LP Gas (Propane)
 - S = Special
- Development Sequence (Digit 4)**
 - D = Fourth Generation
- Input Capacity (Digit 5-7)**
 - Single Furnace
 - 003 = 30 MBh 017 = 175 MBh
 - 004 = 45 MBh 020 = 200 MBh
 - 006 = 60 MBh 022 = 225 MBh
 - 007 = 75 MBh 025 = 250 MBh
 - 010 = 100 MBh 030 = 300 MBh
 - 012 = 125 MBh 035 = 350 MBh
 - 015 = 150 MBh 040 = 400 MBh
- Main Power Supply (Digit 8)**
 - A = 115/60/1 B = 230/60/1
 - C = 208/60/3 D = 230/60/3
 - E = 460/60/3 S = Special
- Digit 9 — Gas Control Option**
 - A = Single-Stage, Standing Pilot
 - D = Single-Stage, Intermittent Pilot Ignition
 - E = Two-Stage, Intermittent Pilot Ignition
 - F = Hydraulic Modulating, Intermittent Pilot Ignition (60-100°F)
 - G = Hydraulic Modulating with Bypass, Intermittent Pilot Ignition (60-100°F)
 - H = Electronic Modulating with Room T-Stat, Intermittent Pilot Ignition
 - J = Electronic Modulating with Duct-Stat, Intermittent Pilot Ignition
 - L = Electronic Modulating with External 4-20 mA Input
 - N = Electronic Modulating with External 0 -10 VDC Input
 - P = Hydraulic Modulating, Intermittent Pilot Ignition (75-150°F)
 - R = Hydraulic Modulating with Bypass, Intermittent Pilot Ignition (75-150°F)
 - S = Special
- Design Sequence (Digit 10)**
 - F = Sixth Design
- Digit 11 — Heat Exchanger Material**
 - 1 = Aluminized Steel 2 = #409 Stainless Steel
 - 3 = #321 Stainless Steel S = Special
- Rooftop Arrangements (Digit 12)**
 - 0 = None (Indoor Unit) S = Special
- Rooftop Heating Unit Motor Selection (Digit 13)**
 - 0 = None (Indoor Unit & Rooftop Duct Furnace) S = Special
- Rooftop Fan Section (Digit 14)**
 - 0 = None (Indoor Unit & Rooftop Duct Furnace) S = Special
- Miscellaneous Options — All Units (Digit 15)**
 - 0 = None
 - A = #409 Stainless Steel Burners
 - B = Orifices For Elevation Above 2000 Feet (Specify Elevation)
 - S = Special
- Propeller Fan Unit Heater (Std., HI-Effic. and Separated Combustion)**
 - C = #409 Stainless Steel Draft Diverter
 - D = Summer-Winter Switch
 - E = Vertical Louvers
 - J = Totally Enclosed Motor
 - 7 = OSHA Fan Guard
- Centrifugal Fan Unit Heater (Std. Hi- Effic. and Separated Combustion)**
 - C = #409 Stainless Steel Draft Diverter D = Summer-Winter Switch
 - E = Vertical Louvers H = Duct Discharge Flange
 - J = Totally Enclosed Motor
- Duct Furnace (Indoor) (Std. or HI-Effic.)**
 - C = #409 Stainless Steel Draft Diverter D = Summer-Winter Switch
 - F = Horizontal Louvers G = Horizontal & Vertical Louvers
 - K = Side Access Burner Drawer (Left Hand)*
 - L = Fan Time Delay Control
 - M = Side Access Burner Drawer (Right Hand)*

Notes:
 1. All units are AGA approved. For CGA approved units contact Macon Product Support.
 2. Special approval required for units installed in New York City, Los Angeles and the State of Wisconsin. Contact Macon Product Support before quoting.
 *The left or right hand side of the side access burner drawer, options K & M, is determined by facing the air outlet side of the duct furnace.

Horizontal Blower Assembly

H B A C 1 5 A A A C 0 +
1 2 3 4 5 6 7 8 9 10 11

- Horizontal Blower Motor (Digit 1-3)**
 - C = Third Generation
- Blower Size Digit 5-6)**
 - 15 = Nominal 1500 cfm
 - 20 = Nominal 2000 cfm
 - 30 = Nominal 3000 cfm
 - 45 = Nominal 4500 cfm
- Transition Size (Digit 7) (Specifies Duct Furnace Sets)**
 - 0 = None F = 225 MBh
 - A = 100 MBh G = 250 MBh
 - B = 125 MBh H = 300 MBh
 - C = 150 MBh J = 350 MBh
 - D = 175 MBh K = 400 MBh
 - E = 200 MBh
- Main Power Supply (Digit 8)**
 - A = 115/60/1 E = 460/60/3
 - B = 230/60/1 F = 575/60/3
 - C = 208/60/3 S = Special
 - D = 230/60/3
- Motor Horsepower (Digit 9)**
 - A = 1/3 hp E = 1½ hp
 - B = ½ hp F = 2 hp
 - C = ¾ hp S = Special
 - D = 1 hp
- Design Sequence (Digit 10)**
 - C = Third Design
- Miscellaneous Options (Digit 11)**
 - 0 = None
 - 1 = Insulation
 - 2 = Floor Mounting Legs
 - 3 = Totally Enclosed Motor
 - S = Special

Packaged Terminals

1 2 3 4 5 6 7 8 9 10 11 12
P T E E 0 9 0 1 U A A A

- Packaged Terminal Air Conditioner**
- Product Type**
 - E = Air Conditioner with Auxiliary Heat
 - H = Heat Pump
- Development Sequence**
 - E = Fifth Development Series
- Unit Cooling Capacity**
 - 070 = 7,000 Btu
 - 090 = 9,000 Btu
 - 120 = 12,000 Btu
 - 150 = 15,000 Btu
- Main Power Supply**
 - 1 = 208-230/1/60
 - 2 = 265/1/60
 - 4 = 115/1/60 (Hydronic Only)
- Electric Heat Capacity***
 - U = Universal Heater (Heater kW determined by power cord, see Accessories section)
 - W = Hydronic (Ships with no front cover and no electric heater)
- Miscellaneous**
 - A = Standard
 - C = Corrosion Resistant
- Minor Design Sequence**
- Service Digit**

Innovation that's sure to get everyone talking.

Earning up to 18.9 SEER with performance-enhancing features like dual Duration™ compressors and two-row Spine Fin™ coil, the American Standard Allegiance 18 is the answer for cost-effective cooling. Versatile AccuLink™ communicating capabilities will also make customers take notice by allowing the unit to share operating information through the Comfort Control or by remote telephone access, enhancing comfort and peace of mind.* And with the new innovative Charge Assist™ feature and a simplified two-wire outdoor connection, installation and annual summer tune-ups are a snap.



Comfort features you can take to the bank.

- 1 Charge Assist™ charging**
Simplifies installation and improves accuracy – eliminating the need for complicated gauges or calculations when charging the system. The charge is automatically and accurately determined for each installation, leading to improved reliability and efficiency.
- 2 AccuLink™ control board**
Enables the unit to communicate the charging status during installation. Contains LEDs to signal diagnostics if problems should occur during system operation.*
- 3 Dual Duration™ compressors**
A versatile design that offers efficient two-stage cooling for the ultimate in home comfort and energy savings.

Allegiance® Communicating Air Conditioner

18

Ultimate



Up to
18.9 SEER

10-year limited warranty on compressors and coil
5-year limited warranty on all other parts

- 4 Two-row all-aluminum Spine Fin™ coil**
Twice the standard amount of our exclusive, all-aluminum coil that enhances heat transfer. Less likely to corrode than aluminum/copper coils – even under the harshest conditions.
- 5 Two-wire outdoor connection**
Simplified outdoor connection to the indoor unit enables faster, easier installation.
- 6 Variable-speed fan motor**
Designed to vary in speed based on cooling requirements and provide higher efficiency and quieter performance.
- 7 Heavy-duty steel louvered panels**
Keep the coil's surface clean, while protecting it from damaging elements like leaves, tree branches and hail.
- 8 Appliance-grade powder-paint finish**
Resists rust and scratches, eliminates sharp edges and provides years of lasting protection.
- 9 Durabase™ basepan**
Will not crack, warp, corrode or rust.
- 10 Easy-Sess™ cabinet with full coil protection**
Allows quick, easy access to electrical and refrigerant controls.
- 11 Compressor sound insulator**
Diminishes operating noise and creates a more peaceful home environment.

*An American Standard 900 Series Comfort Control with communicating indoor unit is required for all Allegiance 18 communicating air conditioners. A Telephone Access Module (TAM) is also required for remote monitoring.

Communicating Air Conditioner

Allegiance®

18

Allegiance[®] Communicating Air Conditioner

Your Profit-ability with American Standard Heating & Air Conditioning

Sell-ability

- Industry leader and brand reputation
- AccuLink™ communicating technology
- Precision engineering
- Matched systems
- 10/10/5 warranty

Install-ability

- Charge Assist™ charging
- Simplified two-wire outdoor connection
- Easy-Sess™ cabinet
- Easy-access service valves

Service-ability

- AccuLink™ diagnostics and self-configuration
- Easy single-side access
- Refrigerant components outside of coil
- Easy coil cleaning
- Rotolock fittings/no brazing
- Standardized component locations

Performance-ability

- Up to 18.9 SEER and ENERGY STAR[®] qualified
- SEET-tested
- Two-row all-aluminum Spine Fin™ coil
- Dual Duration™ compressors
- Compressor sound insulator

Rely-ability

- Factory-installed liquid-line filter dryer
- Quality components
- Tougher validation and design criteria

Charge Assist™ Benefits:

- Eliminates need for pressure and temperature gauges, charts and calculations
- Gives installers a higher level of confidence
- Accurate and automatic charging which leads to improved reliability and durability
- Saves time and callbacks



American Standard Heating & Air Conditioning benefits for your customers

Reliable performance

Design innovations and rigorous SEET testing ensure that our name goes on only the most reliable products.

Durable construction

Materials for all components are torture-tested for consistent, reliable, long-lasting performance and durability.

Enhanced comfort

Add a variable-speed indoor fan motor to decrease sound and increase humidity control and efficiency for maximum comfort.

Cleaner air

Add an AccuClean™ air cleaner to remove up to 99.98% of airborne allergens from filtered air for a cleaner, more comfortable home.

Efficient operation

Increased efficiency may lower cooling costs.

A reputation built on reliability and durability.

We salute independent American Standard Heating & Air Conditioning dealers who work to improve the lives of their customers' families.

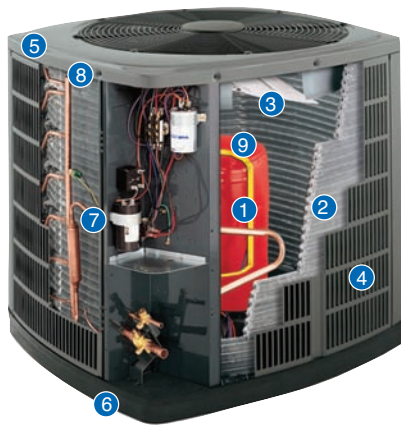
Our promise to you is to continually dedicate ourselves to creating and manufacturing new and innovative products - products that make you and your customers a lot more comfortable.

American Standard
HEATING & AIR CONDITIONING
americanstandardair.com

Model Number	Nominal Tons	Height (Inches)	Width (Inches)	Depth (Inches)
Allegiance 18 Communicating Models				
2A7A8030C	2.5	41	37	34
2A7A8036C	3.0	41	37	34
2A7A8048C	4.0	41	37	34
2A7A8060C	5.0	41	37	34

Long-term reliability to maximize your business.

With up to **16 SEER**, the American Standard Allegiance 15 is our most efficient single-stage air conditioner, delivering **reliability and energy-saving cooling** season after season. The Allegiance 15 is designed with your customers' comfort in mind, featuring a **Duration™ compressor for worry-free operation** and our exclusive **Spine Fin™ coil for more effective heat transfer**. All in all, the Allegiance 15 is a good long-term investment for your customers and a profitable solution for your business.



Comfort features you can take to the bank.

- 1 Duration™ Compressor**
Durable and torture-tested for years of worry-free operation.
- 2 Exclusive Spine Fin™ coil**
An industry-leading technology constructed of thousands of tiny aluminum fins for a larger surface area, resulting in enhanced heat transfer. Less likely to corrode than aluminum/copper coils – even under the harshest conditions.
- 3 Single-speed fan motor**
Offers quiet operation and conserves energy for greater efficiency.

Allegiance® Air Conditioner 15

Premium



Up to
16.0 SEER

10-year limited warranty
on compressor and coil
5-year limited warranty
on all other parts

- 4 Steel louvered panels**
22-gauge, galvanized steel louvered panels serve to keep the coil's surface clean, while protecting it from damaging elements like leaves, tree branches and hail.
- 5 Appliance-grade finish**
Durable powder-paint finish resists rust and scratches, eliminates sharp edges and provides years of lasting protection.
- 6 Durabase™ basepan**
Manufactured to exacting standards from durable composite material. Will not crack, warp, corrode or rust.
- 7 Easy-Sess™ cabinet with full coil protection**
Allows easy access to electrical and refrigerant controls. Improves installation and service time. Decreases unit downtime.
- 8 SermaGuard™ rust-resistant screws**
Tested in salt-spray cabinets and in a weathering tester that simulates the damaging effects of ultraviolet light. Proven to prevent rust streaks from marring the finish.
- 9 Compressor sound insulator**
Diminishes operating noise and creates a more peaceful home environment.

Allegiance®
Air Conditioner
15

15

Allegiance® Air Conditioner

Your Profit-ability with American Standard

Sell-ability

- Industry leader and brand reputation
- Unique components
- Sound level as low as 71 dB
- Matched systems
- 10/10/5 warranty

Install-ability

- Easy-Sess™ cabinet
- Easy-access service valves

Service-ability

- Easy single-side access
- Refrigerant components outside of coil
- Easy coil cleaning
- Rotolock fittings/no brazing
- Standardized component locations

Performance-ability

- Up to 16.0 SEER
- SEET-tested
- Spine Fin™ coil
- Duration™ compressor

Rely-ability

- Factory-installed liquid line filter dryer
- Quality components
- Tougher validation and design criteria

A warranty for you and your customers.

Not only does an American Standard extended warranty protect your customers, it allows you to maintain a relationship with them and generate future business. Extended warranties are also a great way to promote your reputation in the community and collect referrals, while ensuring customer satisfaction.

American Standard benefits for your customers

Reliable performance

Design innovations and rigorous SEET testing ensure that our name goes on only the most reliable products.

Durable construction

Materials for all components are torture-tested for consistent, reliable, long-lasting performance and durability.

Enhanced comfort

Add a variable-speed indoor fan motor to decrease sound and increase humidity control and efficiency for maximum comfort.

Cleaner air

Add an AccuClean™ air cleaner to remove up to 99.98% of airborne allergens from filtered air for a cleaner, more comfortable home.

Efficient operation

Increased efficiency may lower cooling costs.

A reputation built on reliability and durability.

American Standard salutes all the dealers who work to improve the lives of families. It's our promise to you that we will continue to dedicate ourselves to creating and manufacturing new and innovative products. Products that will also make you and your customers a lot more comfortable.

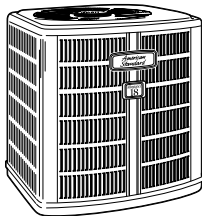
American Standard
HEATING & AIR CONDITIONING
americanstandardair.com

Allegiance®
Air Conditioner

15

Model Number	Nominal Tons	Height (Inches)	Width (Inches)	Depth (Inches)
Heritage 15 Models				
4A7A5018	1.5	33	34	37
4A7A5024	2.0	33	34	37
4A7A5030	2.5	33	34	37
4A7A5036	3.0	41	34	37
4A7A5042	3.5	41	34	37
4A7A5048	4.0	45	34	37
4A7A5060	5.0	45	34	37

Split System Cooling Single Phase – 1½-5 Tons

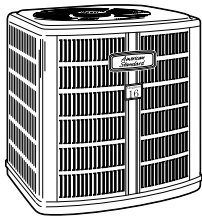


Allegiance 18 (2A7A8)

Table SC-1-A — Allegiance 18 Split System Cooling — Single Phase with AccuLink™

Model Number	Power Supply	Nom. Cap. Cooling (BTUH)	Uncrated Dimensions(in.)			Shipping Weight (lbs.)	Sound** Rating	MCA*	Max. Fuse*	Line Size	
			H	W	D					OD Gas	OD Liq.
2A7A8030C1000A	200/230/1/60	30,000	41	37	34	413	72	18	30	7/8	3/8
2A7A8036C1000A	200/230/1/60	36,000	41	37	34	410	74	22	35	7/8	3/8
2A7A8048C1000A	200/230/1/60	48,000	41	37	34	421	73	25	40	1 1/8	3/8
2A7A8060C1000A	200/230/1/60	60,000	41	37	34	426	72	37	60	1 1/8	3/8

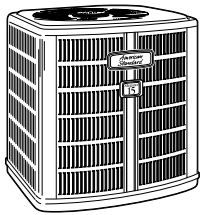
Note: Because of limited capabilities, please refer to product data for approved combinations.



Allegiance 16 (4A7A6)

Table SC-1-B — Allegiance 16 System Cooling — Single Phase

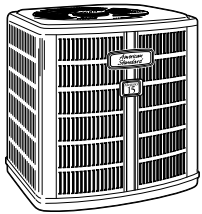
Model Number	Power Supply	Nom. Cap. Cooling (BTUH)	Uncrated Dimensions(in.)			Shipping Weight (lbs.)	Sound** Rating	MCA*	Max. Fuse*	Line Size	
			H	W	D					OD Gas	OD Liq.
4A7A6024B1000A	230/1/60	24,000	37	33	30	235	73	13	20	5/8	5/16
4A7A6036B1000A	230/1/60	36,000	33	37	34	255	72	24	40	3/4	3/8
4A7A6048B1000A	230/1/60	48,000	41	37	34	278	74	29	50	7/8	3/8
4A7A6060B1000A	230/1/60	60,000	41	37	34	322	74	35	60	7/8	3/8



Allegiance 15 (2A7A5)

Table SC-1-C — Allegiance 15 System Cooling — Single Phase

Model Number	Power Supply	Nom. Cap. Cooling (BTUH)	Uncrated Dimensions(in.)			Shipping Weight (lbs.)	Sound** Rating	MCA*	Max. Fuse*	Line Size	
			H	W	D					OD Gas	OD Liq.
2A7A5024A1000A	208/230/1/60	24,000	37	37	34	251	72	14	20	3/4	5/16
2A7A5030A1000A	208/230/1/60	30,000	37	37	34	251	74	16	25	3/4	5/16
2A7A5036A1000A	208/230/1/60	36,000	41	37	34	267	72	18	30	7/8	3/8
2A7A5042A1000A	208/230/1/60	42,000	41	37	34	273	73	23	35	7/8	3/8
2A7A5048A1000A	208/230/1/60	48,000	41	37	34	302	72	26	40	1 1/8	3/8



Allegiance 15 (4A7A5)

Table SC-1-D — Allegiance 15 System Cooling — Single Phase

Model Number	Power Supply	Nom. Cap. Cooling (BTUH)	Uncrated Dimensions(in.)			Shipping Weight (lbs.)	Sound** Rating	MCA*	Max. Fuse*	Line Size	
			H	W	D					OD Gas	OD Liq.
4A7A5018A1000A	200/230/1/60	18,000	33	37	34	240	73	11	15	1/2	3/8
4A7A5024A1000A	200/230/1/60	24,000	33	37	34	243	74	14	20	5/8	3/8
4A7A5030A1000A	200/230/1/60	30,000	33	37	34	245	73	17	25	3/4	3/8
4A7A5036A1000A	208/230/1/60	36,000	41	37	34	269	72	22	35	3/4	3/8
4A7A5042A1000A	208/230/1/60	42,000	41	37	34	272	73	28	45	3/4	3/8
4A7A5048A1000A	208/230/1/60	48,000	45	37	34	318	73	30	50	7/8	3/8
4A7A5060A1000A	208/230/1/60	60,000	45	37	34	320	74	36	60	1 1/8	3/8

* Information subject to change. Please confirm with current Product Data/Service Facts for current factory production.

** Rated in accordance with ARI Standard 270, section 5.3.6.

Split System Cooling Single Phase – 1½-5 Tons

Allegiance

Table SC-2-A — Features

	18 (2A7A8)	16 (4A7A6)	15 (2A7A5)	15 (4A7A5)
• SEER's up to	19.50	17.15	16.25	16.00
• Duration™ compressor	2	1 - stage	✓	✓
• Comfort-R™ mode approved	✓	✓	✓	✓
• AccuLink™ system only two wire control connections	✓	—	—	—
• Charge Assist™ fast /accurate charging every time	✓	—	—	—
• DuraBase™ base, fast complete drain, weatherproof	✓	✓	✓	✓
• Easy-Sess™ cabinet, service access & refrigerant connections with full coil protection	✓	✓	✓	✓
• Spine Fin™ coil	✓	✓	✓	✓
• Compressor sump - factory installed	2½-5	5	2-4	—
• Quick start kit-factory installed	2½-5	2, 4-5	—	1½-2½,5
• Sound enclosures	2½-5	2-5	2-4	✓
• Factory supplied charge	R-22	R-410A	R-22	R-410A
• Glossy corrosion resistant finish	✓	✓	✓	✓
• High pressure switch	—	✓	✓	✓
• Internal high / low pressure & temperature protection	✓	✓	✓	✓
• Liquid line filter drier - factory installed	✓	✓	✓	✓
• Seacoast shield	✓	✓	✓	✓
• Spinnaker gray cabinet	✓	✓	✓	✓
• 10-year limited warranty on compressor, outdoor coil & 5-years on parts (Residential)	✓	✓	✓	✓
• Extended warranties available	✓	✓	✓	✓

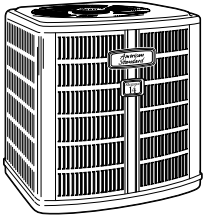
Table SC-2-B — Optional Accessories

AY28X079	Evaporator defrost control	—	✓	✓	✓
BAYACHP024A	24 Volt Wiring Harness	✓	—	—	—
BAYCAKT001	Charge Assist™ Solenoid Kit	✓	—	—	—
BAYCCHT300	Crankcase Heater Kit (Reciprocating)	—	—	—	1½-2½
BAYCCHT301	Crankcase Heater Kit (Scroll)	—	2-4	—	3-5
BAYECMT023	Extreme Conditions Mounting Kit (Base 2/3)	—	2	—	—
BAYECMT004	Extreme Conditions Mounting Kit (Base 4)	✓	3-5	✓	✓
BAYISLT101	Rubber isolators	✓	✓	✓	✓
BAYKSKT260	Start Kit (Scroll)	—	3	2-4	3-4
BAYLEGS002	Snow Legs - Base and Cap 6" High (Black)	✓	✓	✓	✓
BAYLEGS003	4" Extension (Black)	✓	✓	✓	✓
TAYASCT501A①②	Anti-Short Cycle Timer	✓	✓	✓	✓

Comfort Controls — See Comfort Controls/Zone Sensors Section

① Not for use with programmable thermostats.
② Activated on Power Off.

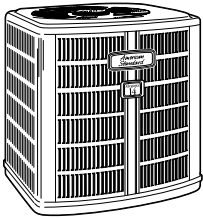
Split System Cooling Single Phase – 1½-5 Tons



Allegiance 14 (2A7A4)

Table SC-3-A— Allegiance 14 System Cooling — Single Phase

Model Number	Power Supply	Nom. Cap. Cooling (BTUH)	Uncrated Dimensions(in.)			Shipping Weight (lbs.)	Sound** Rating	MCA*	Max. Fuse*	Line Size	
			H	W	D					OD Gas	OD Liq.
2A7A4018B1000A	200/230/1/60	18,000	33	33	30	209	73	10	15	5/8	1/4
2A7A4024B1000A	200/230/1/60	24,000	33	33	30	224	74	11	15	3/4	5/16
2A7A4030B1000A	208/230/1/60	30,000	33	33	30	224	74	18	30	3/4	5/16
2A7A4036B1000A	208/230/1/60	36,000	37	33	30	228	74	20	30	7/8	3/8
2A7A4042B1000A	208/230/1/60	42,000	37	37	34	260	74	24	40	7/8	3/8
2A7A4048B1000A	208/230/1/60	48,000	41	37	34	276	75	28	45	1 1/8	3/8
2A7A4060B1000A	208/230/1/60	60,000	41	37	34	326	74	34	50	1 1/8	3/8



Allegiance 14 (4A7A4)

Table SC-3-B — Allegiance 14 System Cooling — Single Phase

Model Number	Power Supply	Nom. Cap. Cooling (BTUH)	Uncrated Dimensions(in.)			Shipping Weight (lbs.)	Sound** Rating	MCA*	Max. Fuse*	Line Size	
			H	W	D					OD Gas	OD Liq.
4A7A4018B1000A	200/230/1/60	18,000	33	33	30	221	72	10	15	1/2	1/4
4A7A4024B1000A	200/230/1/60	24,000	33	33	30	224	74	13	20	5/8	5/16
4A7A4030B1000A	208/230/1/60	30,000	33	33	30	220	71	20	30	3/4	5/16
4A7A4036B1000A	208/230/1/60	36,000	37	33	30	232	71	21	35	3/4	3/8
4A7A4042B1000A	208/230/1/60	42,000	37	37	34	264	74	25	40	3/4	3/8
4A7A4048B1000A	208/230/1/60	48,000	41	37	34	276	74	27	45	7/8	3/8
4A7A4060C1000A	208/230/1/60	60,000	41	37	34	326	74	39	60	7/8	3/8

* Information subject to change. Please confirm with current Product Data/Service Facts for current factory production.
** Rated in accordance with ARI Standard 270, section 5.3.6.

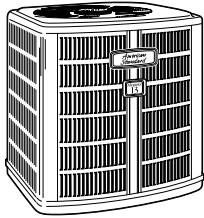
Split System Cooling Single Phase – 1½-5 Tons

Table SC-4-A — Features	Allegiance	
	14 (2A7A4)	14 (4A7A4)
• SEER's up to	15.00	15.00
• Duration™ compressor	✓	✓
• Comfort-R™ mode approved	✓	✓
• DuraBase™ base, fast complete drain, weatherproof	✓	✓
• Easy-Sess™ cabinet, service access & refrigerant connections with full coil protection	✓	✓
• Spine Fin™ coil	✓	✓
• Compressor sump - factory installed	1½-2 & 3½-5	1½ & 2
• Quick start kit-factory installed	1½-2 & 5	1½, 2 & 5
• Sound enclosures	1½-5	1½-5
• Factory supplied charge	R-22	R-410A
• Glossy corrosion resistant finish	✓	✓
• High pressure switch	—	✓
• Internal high / low pressure & temperature protection	✓	✓
• Liquid line filter drier - factory installed	✓	✓
• Seacoast shield	✓	✓
• Spinnaker gray cabinet	✓	✓
• 10-year limited warranty on compressor, outdoor coil & 5-years on parts (Residential)	✓	✓
• Extended warranties available	✓	✓
Table SC-4-B — Optional Accessories		
AY28X079 Evaporator defrost control	✓	✓
BAYCCHT301 Crankcase Heater Kit (Scroll)	2½-3	2½-5
BAYECMT023 Extreme Conditions Mounting Kit (Base 2/3)	1½-3	1½-3
BAYECMT004 Extreme Conditions Mounting Kit (Base 4)	3½-5	3½-5
BAYISLT101 Rubber isolators	✓	✓
BAYSKT260 Start Kit (Scroll)	2½-4	2½-4
BAYLEGS002 Snow Legs - Base and Cap 6" High (Black)	✓	✓
BAYLEGS003 4" Extension (Black)	✓	✓
TAYASCT501A ^{①②} Anti-Short Cycle Timer	✓	✓

Comfort Controls — See Comfort Controls/Zone Sensors Section

① Not for use with programmable thermostats.
② Activated on Power Off.

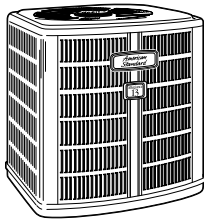
Split System Cooling Single Phase – 1½-5 Tons



Allegiance 13 (2A7A3)

Table SC-5-A— Allegiance 13 Split System Cooling — Single Phase

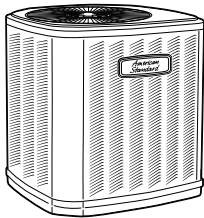
Model Number	Power Supply	Nom. Cap. Cooling (BTUH)	Uncrated Dimensions(in.)			Shipping Weight (lbs.)	Sound** Rating	MCA*	Max. Fuse*	Line Size	
			H	W	D					OD Gas	OD Liq.
2A7A3018A1000A	200/230/1/60	18,000	26	29	26	178	74	8	15	5/8	1/4
2A7A3024A1000A	200/230/1/60	24,000	33	29	26	194	76	12	20	3/4	5/16
2A7A3030A1000A	200/230/1/60	30,000	33	33	30	218	74	13	20	3/4	5/16
2A7A3036A1000A	208/230/1/60	36,000	33	33	30	214	75	18	30	7/8	3/8
2A7A3042A1000A	200/230/1/60	42,000	33	37	34	274	77	21	35	7/8	3/8
2A7A3048A1000A	200/230/1/60	48,000	41	37	34	299	76	25	40	1 1/8	3/8
2A7A3060A1000A	208/230/1/60	60,000	41	37	34	295	76	32	50	1 1/8	3/8



Allegiance 13 (4A7A3)

Table SC-5-B— Allegiance 13 Split System Cooling — Single Phase

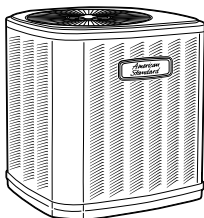
Model Number	Power Supply	Nom. Cap. Cooling (BTUH)	Uncrated Dimensions(in.)			Shipping Weight (lbs.)	Sound** Rating	MCA*	Max. Fuse*	Line Size	
			H	W	D					OD Gas	OD Liq.
4A7A3018A1000A	200/230/1/60	18,000	33	33	30	216	76	9	15	1/2	1/4
4A7A3024A1000A	200/230/1/60	24,000	33	33	30	217	76	12	20	5/8	5/16
4A7A3030A1000A	200/230/1/60	30,000	33	33	30	217	76	15	25	3/4	5/16
4A7A3036A1000A	208/230/1/60	36,000	37	33	30	230	76	20	35	3/4	3/8
4A7A3042A1000A	208/230/1/60	42,000	33	37	34	249	76	25	40	3/4	3/8
4A7A3048A1000A	208/230/1/60	48,000	33	37	34	251	76	27	45	7/8	3/8
4A7A3060B1000A	208/230/1/60	60,000	41	37	34	287	76	36	60	7/8	3/8



American Standard 13 (2A7B3)

Table SC-5-C— American Standard 13 Split System Cooling — Single Phase

Model Number	Power Supply	Nom. Cap. Cooling (BTUH)	Uncrated Dimensions(in.)			Shipping Weight (lbs.)	Sound** Rating	MCA*	Max. Fuse*	Line Size	
			H	W	D					OD Gas	OD Liq.
2A7B3018A1000A	200/230/1/60	17,000	26	29	26	182	76	8	15	5/8	1/4
2A7B3024A1000A	200/230/1/60	23,000	33	29	26	195	78	12	20	3/4	5/16
2A7B3030A1000A	200/230/1/60	28,500	33	33	30	225	78	13	20	3/4	5/16
2A7B3036A1000A	208/230/1/60	34,500	33	33	30	220	76	18	30	7/8	3/8
2A7B3042A1000A	200/230/1/60	40,500	33	37	34	283	79	21	35	7/8	3/8
2A7B3048A1000A	200/230/1/60	46,500	41	37	34	307	79	25	40	1 1/8	3/8
2A7B3060A1000A	208/230/1/60	58,500	41	37	34	303	79	32	50	1 1/8	3/8



American Standard 13 (4A7B3)

Table SC-5-D— American Standard 13 Split System Cooling — Single Phase

Model Number	Power Supply	Nom. Cap. Cooling (BTUH)	Uncrated Dimensions(in.)			Shipping Weight (lbs.)	Sound** Rating	MCA*	Max. Fuse*	Line Size	
			H	W	D					OD Gas	OD Liq.
4A7B3018A1000A	200/230/1/60	17,000	33	33	30	220	78	9	15	1/2	1/4
4A7B3024A1000A	200/230/1/60	23,000	33	33	30	222	78	12	20	5/8	5/16
4A7B3030A1000A	200/230/1/60	28,500	33	33	30	222	78	15	25	3/4	5/16
4A7B3036A1000A	208/230/1/60	34,500	36	33	30	236	78	20	35	3/4	3/8
4A7B3042A1000A	208/230/1/60	40,500	33	37	34	257	79	25	40	3/4	3/8
4A7B3048A1000A	208/230/1/60	46,500	33	37	34	261	79	27	45	7/8	3/8
4A7B3060B1000A	208/230/1/60	58,500	41	37	34	287	80	36	60	7/8	3/8

* Information subject to change. Please confirm with current Product Data/Service Facts for current factory production.
** Rated in accordance with ARI Standard 270, section 5.3.6.

Split System Cooling Single Phase – 1½-5 Tons

Allegiance and American Standard

Table SC-6-A — Features

	13 (2A7A3)	13 (4A7A3)	13 (2A7B3)	13 (4A7B3)
• SEER's up to	14.00	14.00	13.25	14.00
• Duration™ compressor	✓	✓	✓	✓
• Comfort-R™ mode approved	✓	✓	✓	✓
• DuraBase™ base, fast complete drain, weatherproof	✓	✓	✓	✓
• Easy-Sess cabinet, service access & refrigerant connections with full coil protection	✓	✓	✓	✓
• Spine Fin™ coil	✓	✓	✓	✓
• Compressor sump - factory installed	5	5	5	5
• Quick start kit-factory installed	1½-2½, 3½-5	1½-2½,5	1½-2½, 3½-5	1½-2½,5
• Sound enclosures	1½-5	1½-2½	3½-4	1½-2½
• Factory supplied charge	R-22	R-410A	R-22	R-410A
• Glossy corrosion resistant finish	✓	✓	✓	✓
• High pressure switch	—	✓	—	✓
• Internal high / low pressure & temperature protection	✓	✓	✓	✓
• Liquid line filter drier - factory installed	✓	✓	✓	✓
• Polyslate gray cabinet	—	—	✓	✓
• Spinnaker gray cabinet	✓	✓	—	—
• 10-year limited warranty on compressor, outdoor coil & 5-years on parts (Residential)	✓	✓	—	—
• 5-year limited warranty on compressor, outdoor coil & 5-years on parts (Residential)	—	—	✓	✓
• Extended warranties available	✓	✓	✓	✓

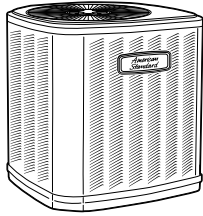
Table SC-6-B — Optional Accessories

AY28X079	Evaporator defrost control kit	✓	✓	✓	✓
BAYCCHT300	Crankcase Heater (Reciprocating)	1½-2½, 3½-4	1½-2½	1½-2½, 3½-4	1½-2½
BAYCCHT301	Crankcase Heater Kit (Scroll)	3	3-4	3	3-4
BAYECMT023	Extreme Conditions Mounting Kit (Base 2/3)	1½-3	1½-3	1½-3	1½-3
BAYECMT004	Extreme Conditions Mounting Kit (Base 4)	3½-5	3½-5	3½-5	3½-5
BAYISLT101	Rubber isolators	✓	✓	✓	✓
BAYKSKT260	Start kit (Scroll)	3	3-4	3	3-4
BAYLEGS002	Snow Legs - Base and Cap 6" High (Black)	✓	✓	✓	✓
BAYLEGS003	4" Extension (Black)	✓	✓	✓	✓
BAYLOAM103	Low Ambient Kit	✓	✓	✓	—
BAYSEAC001	Seacoast Kit	✓	✓	✓	✓
TAYASCT501A①②	Anti-Short Cycle Timer	✓	✓	✓	✓

Comfort Controls — See Comfort Controls/Zone Sensors Section

- ① Not for use with programmable thermostats.
② Activated on Power Off.

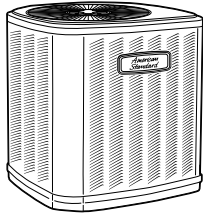
Split System Cooling Three Phase – 2½-6 Tons



13 SEER

Table SC-7-A— 13 SEER Split Cooling Single Compressor

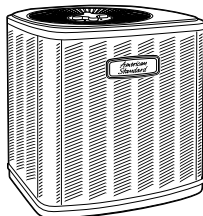
Model Number	Power Supply	Nom. Cap. Cooling (BTUH)	Uncrated Dimensions(in.)			Shipping Weight (lbs.)	Sound** Rating	MCA*	Max. Fuse*	Line Size	
			H	W	D					OD Gas	OD Liq.
2A7C3030A3000A	200/230/3/60	30,000	33	33	30	225	78	9	15	¾	5/16
2A7C3036A3000A	200/230/3/60	36,000	33	33	30	216	76	13	20	7/8	3/8
2A7C3042A3000A	200/230/3/60	42,000	33	37	34	245	79	13	20	7/8	3/8
2A7C3048A3000A	200/230/3/60	48,000	41	37	34	303	79	16	25	1½	3/8
2A7C3060A3000A	200/230/3/60	60,000	41	37	34	292	79	23	40	1½	3/8
2A7C3030A4000A	460/3/60	30,000	33	33	30	225	78	5	15	¾	5/16
2A7C3036A4000A	460/3/60	36,000	33	33	30	219	76	7	15	7/8	3/8
2A7C3042A4000A	460/3/60	42,000	33	37	34	246	79	7	15	7/8	3/8
2A7C3048A4000A	460/3/60	48,000	41	37	34	305	79	9	15	1½	3/8
2A7C3060A4000A	460/3/60	60,000	41	37	34	293	79	10	15	1½	3/8



13 SEER

Table SC-7-B— 13 SEER Split Cooling Single Compressor

Model Number	Power Supply	Nom. Cap. Cooling (BTUH)	Uncrated Dimensions(in.)			Shipping Weight (lbs.)	Sound** Rating	MCA*	Max. Fuse*	Line Size	
			H	W	D					OD Gas	OD Liq.
4A7C3030A3000A	200/230/3/60	30,000	33	33	30	224	78	10	15	¾	5/16
4A7C3036A3000A	200/230/3/60	36,000	37	33	30	229	78	15	25	¾	3/8
4A7C3042A3000A	200/230/3/60	42,000	33	37	34	255	79	18	30	¾	3/8
4A7C3048A3000A	200/230/3/60	48,000	33	37	34	253	79	20	30	7/8	3/8
4A7C3060B3000A	200/230/3/60	60,000	41	37	34	295	80	24	40	7/8	3/8
4A7C3030A4000A	460/3/60	30,000	33	33	30	222	78	5	15	¾	5/16
4A7C3036A4000A	460/3/60	36,000	37	33	30	227	78	7	15	¾	3/8
4A7C3042A4000A	460/3/60	42,000	33	37	34	254	79	9	15	¾	3/8
4A7C3048A4000A	460/3/60	48,000	33	37	34	252	79	9	15	7/8	3/8
4A7C3060B4000A	460/3/60	60,000	41	37	34	294	80	12	20	7/8	3/8



10 SEER

Table SC-7-C— 10 SEER Split Cooling Single Compressor

Model Number	Power Supply	Nom. Cap. Cooling (BTUH)	Uncrated Dimensions(in.)			Shipping Weight (lbs.)	Sound** Rating	MCA*	Max. Fuse*	Line Size	
			H	W	D					OD Gas	OD Liq.
2A7C0030A3000A	200/230/3/60	30,000	26	29	26	175	80	13	20	¾	5/16
2A7C0036A3000A	200/230/3/60	36,000	26	29	26	179	79	15	25	7/8	3/8
2A7C0042A3000A	200/230/3/60	42,000	29	29	26	211	83	18	30	7/8	3/8
2A7C0048A3000A	200/230/3/60	48,000	29	29	26	216	82	20	30	1½	3/8
2A7C0060A3000A	200/230/3/60	60,000	33	33	30	255	82	27	45	1½	3/8
2A7C0072A3000A	200/230/3/60	72,000	41	37	34	297	81	26	45	1½	3/8
2A7C0030A4000A	460/3/60	30,000	26	29	26	175	80	7	15	¾	5/16
2A7C0036A4000A	460/3/60	36,000	26	29	26	179	79	8	15	7/8	3/8
2A7C0042A4000A	460/3/60	42,000	29	29	26	211	83	9	15	7/8	3/8
2A7C0048A4000A	460/3/60	48,000	29	29	26	216	82	10	15	1½	3/8
2A7C0060A4000A	460/3/60	60,000	33	33	30	255	82	13	20	1½	3/8
2A7C0072A4000A	460/3/60	72,000	41	37	34	297	81	14	20	1½	3/8

* Information subject to change. Please confirm with current Product Data/Service Facts for current factory production.

** Rated in accordance with ARI Standard 270, section 5.3.6.

Split System Cooling Three Phase – 2½-6 Tons

Table SC-8-A — Features

	13 (2A7C3)	13 (4A7C3)	10 (2A7C0)
• SEER's up to	13.00	13.00	10.50
• Duration™ compressor	✓	✓	✓
• Comfort-R™ mode approved	✓	✓	✓
• DuraBase™ base, fast complete drain, weatherproof	✓	✓	✓
• Easy-Sess™ cabinet, service access & refrigerant connections with full coil protection	✓	✓	✓
• Spine Fin™ coil	✓	✓	✓
• Compressor sump - factory installed	2 ½-5	2 ½-5	2½-6
• Factory supplied charge	R-22	R-410A	R-22
• Glossy corrosion resistant finish	✓	✓	✓
• Internal high / low pressure & temperature protection	✓	✓	✓
• Liquid line filter drier - factory installed	✓	✓	✓
• Low pressure switch	✓	✓	✓
• Polyslate gray cabinet	✓	✓	✓
• 5-year limited warranty on compressor, outdoor coil & 1-year on parts (Commercial)	✓	✓	✓
• 5-year limited warranty on compressor, outdoor coil & 5-years on parts (Residential)	✓	✓	✓
• Extended warranties available	✓	✓	✓

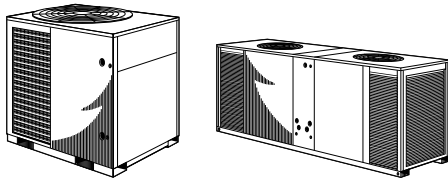
Table SC-8-B — Optional Accessories

AY28X079	Evaporator Defrost Control	✓	✓	✓
BAYECMT023	Extreme Conditions Mounting Kit (Base 2/3)	2½-3	2½-3	2½-5
BAYECMT004	Extreme Conditions Mounting Kit (Base 4)	3½-5	3½-5	6
BAYISLT101	Rubber Isolators	✓	✓	✓
BAYLEGS002	Snow Legs - Base and Cap 6" High (Black)	✓	✓	✓
BAYLEGS003	4" Extension (Black)	✓	✓	✓
BAYLOAM103 [Ⓢ]	Electric Head Pressure Control	✓	✓	✓
BAYSEAC001	Seacoast Kit	✓	✓	✓
BAYTFMR003A	77VA Transformer 230V/24V	✓	✓	✓
BAYTFMR004A	77VA Transformer 460V/24V	✓	✓	✓
TAYASCT501A ^{ⓈⓉ}	Anti-Short Cycle Timer	✓	✓	✓

Comfort Controls — See Comfort Controls/Zone Sensors Section

- Ⓢ Do not use with programmable thermostats.
- Ⓣ Activated on Power Off.
- ⓈⓉ Not approved for use with hot gas by-pass application.

Split System Cooling Three Phase – 7½-20 Tons



TTA – 7½-20 Tons

- ReliaTel™ controls option
- (1) Scroll compressor (TTA090-120A)
- (2) Scroll compressors (TTA120-240B) with independent refrigerant circuits
- (2) Manifolded Scroll compressors (TTA120,180C and 240F)
- Single point power supply
- Compressor motor overload protection
- Control transformer
- High and low pressure cut-out switches
- Liquid line filter drier, factory installed
- Service valves with pressure taps
- Internal pressure relief valves (TTA120B,120C,150B)

- Holding charge of Nitrogen
- Copper tube, aluminum plate fin coils
- Low ambient cooling to 50°F as shipped
- Low ambient cooling to 0°F with accessory head pressure control
- Mounting/lifting rails under base
- UL listed
- **5-year compressor warranty (TTA090-120A/TTA120-180B/TTA120-180C)**
- **1-year compressor warranty (TTA240B,F)**
- **1-year limited parts warranty**
- **Optional Extended Warranties**

1 2 3 4 5 6 7 8 9 10 11 12
T T A 0 9 0 A 3 0 0 B 0

Factory-Installed Options

- 00 = Standard Unit
- OS = Epoxy Coil
- OR = ReliaTel™, No LCI Board
- OT = ReliaTel™, No LCI Board with Epoxy Coil

Table SC-9-A — TTA Split System Cooling — Single Compressor — R-22 Refrigerant

Model Number	Power Supply	Nom. Cap. Cooling (BTUH)	Uncrated Dimensions(in.)			Shipping Weight (lbs.)	Sound [Ⓞ] Rating	MCA*	Max. Fuse*	Line Size	
			H	W	L					OD Gas	OD Liq.
TTA090A300F	208-230/3/60	92,000	39	34	41	370	8.8	34.5	50	1⅜	½
TTA120A300F	208-230/3/60	128,000	39	38	51	443	8.8	48.1	70	1⅜	½
TTA090A400F	460/3/60	92,000	39	34	41	370	8.8	18.1	25	1⅜	½
TTA120A400F	460/3/60	128,000	39	38	51	443	8.8	23.3	35	1⅜	½
TTA090AW00F	575/3/60	92,000	39	34	41	370	8.8	14.5	20	1⅜	½
TTA120AW00F	575/3/60	128,000	39	38	51	443	8.8	18.8	25	1⅜	½

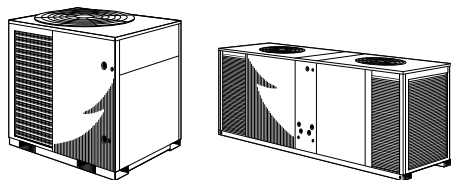
Table SC-9-B — TTA Split System Cooling — Dual Compressor — R-22 Refrigerant

Model Number	Power Supply	Nom. Cap. Cooling (BTUH)	Uncrated Dimensions(in.)			Shipping Weight (lbs.)	Sound [Ⓞ] Rating	MCA*	Max. Fuse*	Line Size	
			H	W	L					OD Gas	OD Liq.
TTA120B300E	208-230/3/60	126,000	39	38	51	481	8.8	47.9	60	1⅜	⅝
TTA150B300E	208-230/3/60	148,000	39	38	51	481	8.8	55.5	70	1⅜	⅝
TTA180B300F	208-230/3/60	182,000	39	34	88	764	8.8	62.7	80	1⅜	½
TTA240B300F	208-230/3/60	246,000	45	44	94	915	8.8	87.8	100	1⅜	½
TTA120B400E	460/3/60	126,000	39	38	51	481	8.8	23.9	30	1⅜	⅝
TTA150B400E	460/3/60	148,000	39	38	51	481	8.8	28.1	35	1⅜	⅝
TTA180B400F	460/3/60	182,000	39	34	88	764	8.8	32.9	45	1⅜	½
TTA240B400F	460/3/60	246,000	45	44	94	915	8.8	42.5	50	1⅜	½
TTA120BW00E	575/3/60	126,000	39	38	51	481	8.8	19.1	25	1⅜	⅝
TTA150BW00E	575/3/60	148,000	39	38	51	481	8.8	21.6	25	1⅜	⅝
TTA180BW00F	575/3/60	182,000	39	34	88	764	8.8	26.3	35	1⅜	½
TTA240BW00F	575/3/60	246,000	45	44	94	915	8.8	34.2	45	1⅜	½

Ⓞ Sound rated in accordance with A.R.I. Standard 270.

* Information subject to change. Please confirm with current Product Data/Service Facts for current factory production.

Split System Cooling Three Phase – 7½-20 Tons



TTA – 7½-20 Tons

- ReliaTel™ controls option
- (1) Scroll compressor (TTA090-120A)
- (2) Scroll compressors (TTA120-240B) with independent refrigerant circuits
- (2) Manifolder Scroll compressors (TTA120,180C and 240F)
- Single point power supply
- Compressor motor overload protection
- Control transformer
- High and low pressure cut-out switches
- Liquid line filter drier, factory installed
- Service valves with pressure taps
- Internal pressure relief valves (TTA120B,120C,150B)
- Holding charge of Nitrogen
- Copper tube, aluminum plate fin coils
- Low ambient cooling to 50°F as shipped
- Low ambient cooling to 0°F with accessory head pressure control
- Mounting/lifting rails under base
- UL listed
- **5-year compressor warranty (TTA090-120A/TTA120-180B/TTA120-180C)**
- **1-year compressor warranty (TTA240B,F)**
- **1-year limited parts warranty**
- **Optional Extended Warranties**

1 2 3 4 5 6 7 8 9 10 11 12
T T A 0 9 0 A 3 0 0 B 0

Factory-Installed Options

- 00 = Standard Unit
- OS = Epoxy Coil
- OR = ReliaTel™, No LCI Board
- OT = ReliaTel™, No LCI Board with Epoxy Coil

Table SC-10-A — TTA Split System Cooling — Dual Manifolder Compressors with Single Refrigerant Circuits — R-22 Refrigerant

Model Number	Power Supply	Nom. Cap. Cooling (BTUH)	Uncrated Dimensions(in.)			Shipping Weight (lbs.)	Sound [Ⓞ] Rating	MCA*	Max. Fuse*	Line Size	
			H	W	L					OD Gas	OD Liq.
TTA120C300G	208-230/3/60	126,000	39	38	51	492	8.8	49.4	60	1 ³ / ₈	1/2
TTA180C300G	208-230/3/60	182,000	39	34	88	764	8.8	62.7	80	1 ⁵ / ₈	5/8
TTA120C400G	460/3/60	126,000	39	38	51	492	8.8	25.2	30	1 ³ / ₈	1/2
TTA180C400G	460/3/60	182,000	39	34	88	764	8.8	32.9	45	1 ⁵ / ₈	5/8
TTA120CW00G	575/3/60	126,000	39	38	51	492	8.8	19.8	25	1 ³ / ₈	1/2
TTA180CW00G	575/3/60	182,000	39	34	88	764	8.8	26.3	35	1 ⁵ / ₈	5/8

Table SC-10-B — TTA Split System Cooling — Dual Manifolder Compressors with Single Refrigerant Circuit — R-410A Refrigerant

Model Number	Power Supply	Nom. Cap. Cooling (BTUH)	Uncrated Dimensions(in.)			Shipping Weight (lbs.)	Sound [Ⓞ] Rating	MCA*	Max. Fuse*	Line Size	
			H	W	L					OD Gas	OD Liq.
TTA240F300A	208-230/3/60	246,000	45	44	94	920	9.2	89.4	110	1 ⁵ / ₈	5/8
TTA240F400A	460/3/60	246,000	45	44	94	920	9.2	46.6	60	1 ⁵ / ₈	5/8
TTA240FW00A	575/3/60	246,000	45	44	94	920	9.2	36.0	50	1 ⁵ / ₈	5/8

Ⓞ Sound rated in accordance with A.R.I. Standard 270.

* Information subject to change. Please confirm with current Product Data/Service Facts for current factory production.

Split System Cooling Three Phase – 7½-20 Tons

Table SC-11-A — Optional Accessories for 7½-20 tons

Model Number	Description	Used With
ASYSTAT661B ^②	Single Setpoint Manual Changeover Zone Sensor	TTA090A_OR, OT Thru TTA240B,F_OR, OT
ASYSTAT663B ^②	Dual Setpoint Manual or Auto Changeover Zone Sensor	TTA090A_OR, OT Thru TTA240B,F_OR, OT
ASYSTAT669A ^②	Wall Mounted Zone Sensor for Remote Sensing	TTA090A_OR, OT Thru TTA240B,F_OR, OT
ASYSTAT666C ^②	Programmable Zone Sensor NSB Panel	TTA090A_OR, OT Thru TTA240B,F_OR, OT
ASYSTAT708A ^②	Remote Wall Sensor used with ASYSTAT709A	TTA090A_OR, OT Thru TTA240B,F_OR, OT
ASYSTAT706A ^②	Remote Wall Sensor used with ASYSTAT705B	TTA090A-TTA240B
ASYSTAT709A ^②	Digital Zone Sensor with LCD Display	TTA090A_OR, OT Thru TTA240B,F_OR, OT
BAY24X042	Fan Control Relay	TTA090-120A,120-240B;120-180C,240F
BAYASCT001 ^{③④}	Anti-Short-Cycle Timer	TTA090-120A;120-240B,120-180C,240F
BAYGARD024A	Coil Guard Kit	TTA090A
BAYGARD026A	Coil Guard Kit	TTA150B; TTA120A, B, C
BAYGARD039A	Coil Guard Kit	TTA180B,C
BAYGARD042A	Coil Guard Kit	TTA240B
BAYGARD049A	Coil Guard Kit	TTA240F
BAYHGBP002C ^⑤	Hot Gas Bypass Kit	TTA090-120A
BAYHGBP003C ^{⑤⑥}	Hot Gas Bypass Kit	TTA180B,C, TTA240B, TTA120C;TTA120,150B
BAYHGBP006A	Hot Gas Bypass Kit	TTA240F
BAYISLT004A	Rubber-In-Shear Isolators	TTA090A
BAYISLT005A	Rubber-In-Shear Isolators	TTA120A,B,C
BAYISLT009A	Rubber-In-Shear Isolators	TTA150-180B; TTA180C
BAYISLT010A	Rubber-In-Shear Isolators	TTA240B, TTA240F
BAYISLT023A	Steel Spring Isolators	TTA090-120A;120-150B,120C
BAYISLT024A	Steel Spring Isolators	TTA180B, TTA180C
BAYISLT025A	Steel Spring Isolators	TTA240B, TTA240F
BAYLOAM015A ^⑦	Head Pressure Control - 575V	TTA090-180AW,BW,CW
BAYLOAM326A	Head Pressure Ctrl - 230V	TTA090A3
BAYLOAM327A	Head Pressure Ctrl - 230V	TTA120A3,B3;150B3, 120C3
BAYLOAM328A ^⑧	Head Pressure Ctrl - 230V	TTA240B3
BAYLOAM329A ^⑧	Head Pressure Ctrl - 230V	TTA180B3, C3
BAYLOAM425A	Head Pressure Ctrl - 460V	TTA090A4
BAYLOAM426A	Head Pressure Ctrl - 460V	TTA120A4, B4;150B4, 120C4
BAYLOAM427A ^⑧	Head Pressure Ctrl - 460V	TTA240B4
BAYLOAM428A ^⑧	Head Pressure Ctrl - 460V	TTA180B4,C4
BAYLOAM429C ^{⑨⑩}	Low Ambient Fan Cycle Control	TTA090-240A,B,C
BAYLOAM430A	Head Pressure Control – 230V	TTA240F
BAYLOAM431A	Head Pressure Control – 460V	TTA240F
BAYLOAMW22A	Head Pressure Control - 575V	TTA120,150,240AW,BW,CW
BAYRLAY002 ^⑪	Time Delay Relay	TTA120-240B; TTA120-180C
BAYSTAT033A	ODT 45°F to -10°F	TTA090-120A, TTA120-240B, TTA120-180C, TTA240F
Black Epoxy Condenser Coil ^{⑫⑬}		TTA090-120A, TTA120-240B, TTA120-180C, TTA240F

Table SC-11-B — Thermostats for 7½-20 tons

Model Number	Description	Used With
ACONT200AN11AA	Electronic 1 Htg/1 Cool (non-prog)	TTA090A, 120A
ASYSTAT610 ^④	1 Stage Heating/Cooling (Manual or Auto w/subbase)	TTA090-120A
ASYSTAT611 ^{④⑦}	Auto 2 Stage Heating/Cooling	TTA090-120A,120-240B,120-180C
ASYSTAT617 ^④	Subbase - Manual Changeover	ASYSTAT610, 611
ASYSTAT616 ^④	Subbase - Automatic Changeover	ASYSTAT610, 611
ASYSTAT705B ^{④⑦}	Programmable Thermostat for use with BAYBASE006A or BAYBASE008A	TTA090A-TTA240B,F
BAYBASE006A ^⑦	Subbase - 2 Stage Heat/Cool for use with ASYSTAT705B	TTA090A-TTA240B,F
BAYBASE008A ^⑦	Subbase - 1 Stage Heat/Cool for use with ASYSTAT705B	TTA090A-TTA120A
BAYSENS034A ^⑦	Remote Duct Sensor for use with ASYSTAT705B	TTA090A-TTA240B,F

- ① Condensing unit must be on same level as or below Air Handler. Contact Application Engineer, Clarksville before using any other configuration. Some field modification required (see kit installer guide).
- ② Qty 2 required on TTA180,240B,F;TTA180C.
- ③ Do not use with programmable thermostats.
- ④ Order by changing 10th digit in model number to S. Example TTA090A30SE.
- ⑤ Does have extended ship time. Confirm exact time through your Customer Service Representative.
- ⑥ Kits mount internal to OD unit & operate by sensing liquid line temperature (cycles fan(s) ON/OFF rather than modulating).
- ⑦ Option is compatible for units with ReliaTel™ Controls.
- ⑧ Requires Subbase.
- ⑨ Requires BAY24X042 relay kit when used with electric heat.
- ⑩ Specifically designed for electric heat applications (instant on fan).
- ⑪ Activated or Power ON.

7 1/2 - 20 Tons with ReliaTel™ Controls TTA090-120A, TTA120-240B, TTA120-180C

Protection/Operation Timings and Features

Anti Short Cycle Timer (ASCT) Function — Provides a three (3) minute minimum “ON” time and a three (3) minute minimum “OFF” time for compressors, enhances compressor reliability by ensuring proper oil return. **Standard**

Built In Fan Delay Relay (FDR) Function — Provides custom indoor fan timing sequences for the different types of equipment, enhancing efficiency and reliability. **Standard**

Built In Night Set Back and Unoccupied Functions① — When using a standard dual setpoint/auto change over Zone Sensor Module (ZSM), this function is enabled by applying a short across terminal J6-11 and J6-12. Sets cooling setpoint up a minimum of 7°F, sets heating setpoint back a minimum of 7°F, and forces fan operation to automatic. **(requires time clock accessory or field supplied/installed switch or contacts).**

Built In “TEST” Mode — Aids in quick verification of system and control operation, exercises both hardware and software (no special tools required). **Standard**

Built In Unoccupied Mode① — When using a standard single setpoint/manual change over Zone Sensor Module (ZSM), this function is enabled by applying a short across terminal J6-11 and J6-12. Forces fan operation to automatic. **(requires time clock accessory or field supplied/installed switch or contacts.)**

Direct Digital Control (DDC)① — Proportional Integral (PI) control. Proportional – sets corrective action proportional to deviation from setpoint. Integral – fine tunes the rate of corrective action proportional to the error (results in superior space temperature control). **Standard**

Increased Reliability — Fewer components (moving electro-mechanical parts), less likelihood of equipment down time or failure. **Standard**

Integral Electric Heat Staging① — Stages electric heaters “OFF” and “ON”, eliminating the use of outdated sequencers. **Standard**

Intelligent Fallback① — A built in Default Control provides adaptive operation, which allows the equipment to continue to operate, providing comfort in the event of certain component failures. Also, allows emergency operation without a Zone Sensor Module (ZSM). **Standard**

Low Ambient Start Timer (LAST) Function — Bypasses low pressure control when a compressor starts, eliminating nuisance compressor lock outs. **Standard**

Lower Installation Cost — Using a standard Zone Sensor Module (ZSM), control voltage wiring may be run up to five (5) times further than any electromechanical system, with no increase in wire gauge. Example: Electromechanical System – 30 feet maximum using 22 gauge wire. Micro Control System – 150 feet using 22 gauge wire. **Standard**

On Board Diagnostics① — Assist with equipment troubleshooting, if a problem occurrence should take place. **Standard**

Remote Sensing① — All standard Zone Sensor Modules (ZSMs) have remote sensing capabilities, typically achieved by using an expensive program-mable thermostat and remote sensor with electromechanical equipment. **Accessory (requires use of remote sensor).**

Space Temperature Averaging① — All standard Zone Sensor Modules (ZSMs) have space temperature averaging capabilities, typically achieved by using an expensive programmable thermostat and minimum of four (4) remote sensors with electromechanical equipment. **Averaging with ReliaTel™ can be achieved with two (2) sensors.**

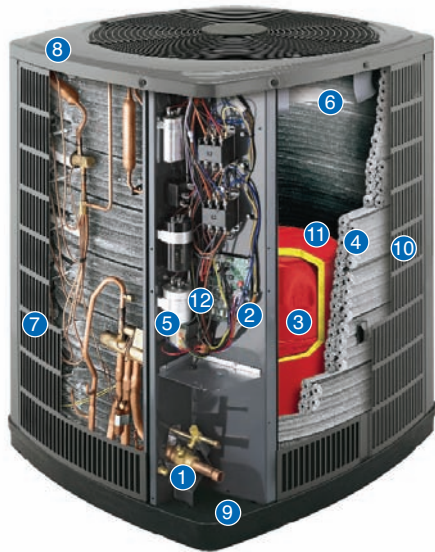
Time Delay Relay (TDR) Function — Provides an incremental staging delay between compressors, minimizes equipment current inrush and consumption by keeping compressors from starting simultaneously. **Standard**

Low Pressure and High Pressure Compressor Lockout — 3 trips will lockout control.

① Denotes features lost from utilizing standard conventional stat.

The ultimate expression of comfort and innovation.

Designed for exceptional performance with **dual Duration™ compressors, two-row Spine Fin™ coil** and **up to 17.75 SEER**, the American Standard Heritage 18 takes energy efficiency and year-round comfort to new heights. It also puts superior comfort right at your customers' fingertips with cutting-edge **AccuLink™ communicating capabilities** that **share real-time operating information through the Comfort Control or by remote telephone access.*** And for your convenience, new innovative features like **Charge Assist™ charging and a simplified two-wire outdoor connection** make installation and on-site calls a breeze.



Comfort features you can take to the bank.

- 1 **Charge Assist™ charging**
Simplifies installation and improves accuracy – eliminating the need for complicated gauges or calculations when charging the system. The charge is automatically and accurately determined for each installation, leading to improved reliability and efficiency.
- 2 **AccuLink™ control board**
Enables the unit to communicate the charging status during installation. Contains LEDs to signal diagnostics if problems should occur during system operation.*

Heritage Communicating Heat Pump

18

Ultimate



Up to
17.75 SEER

Up to
9.0 HSPF

10-year limited warranty on compressors and coil
5-year limited warranty on all other parts

- 3 **Dual Duration™ compressors**
A versatile design that offers efficient two-stage cooling for the ultimate in home comfort and energy savings.
- 4 **Two-row all-aluminum Spine Fin™ coil**
Twice the standard amount of our exclusive, all-aluminum coil that enhances heat transfer. Less likely to corrode than aluminum/copper coils – even under the harshest conditions.
- 5 **Two-wire outdoor connection**
Simplified outdoor connection to the indoor unit enables faster, easier installation.
- 6 **Variable-speed fan motor**
Designed to vary in speed based on cooling requirements and provide higher efficiency and quieter performance.
- 7 **Heavy-duty steel louvered panels**
Keep the coil's surface clean, while protecting it from damaging elements like leaves, tree branches and hail.
- 8 **Appliance-grade powder-paint finish**
Resists rust and scratches, eliminates sharp edges and provides years of lasting protection.
- 9 **Durabase™ basepan**
Will not crack, warp, corrode or rust.
- 10 **Easy-Sess™ cabinet with full coil protection**
Allows quick, easy access to electrical and refrigerant controls.
- 11 **Compressor sound insulator**
Diminishes operating noise and creates a more peaceful home environment.
- 12 **Electronic demand defrost**
Eliminates unnecessary defrost cycles for energy savings and longer compressor life.

*An American Standard 900 Series Comfort Control with communicating indoor unit is required for all Heritage 18 communicating heat pumps. A Telephone Access Module (TAM) is also required for remote monitoring.

Communicating Heat Pump

Heritage®

18

Heritage Communicating Heat Pump

Your Profit-ability with American Standard Heating & Air Conditioning

Sell-ability

- Industry leader and brand reputation
- AccuLink™ communicating technology
- Precision engineering
- Matched systems
- 10/10/5 warranty

Install-ability

- Charge Assist™ charging
- Simplified two-wire outdoor connection
- Easy-Sess™ cabinet
- Easy-access service valves

Service-ability

- AccuLink diagnostics and self-configuration
- Easy single-side access
- Refrigerant components outside of coil
- Easy coil cleaning
- Rotolock fittings/no brazing
- Standardized component locations

Performance-ability

- Up to 17.75 SEER; 9.0 HSPF and ENERGY STAR® qualified
- SEET tested
- Two-row all-aluminum Spine Fin™ coil
- Dual Duration™ compressors
- Electronic demand defrost
- Compressor sound insulator

Rely-ability

- Factory-installed liquid-line filter dryer
- Quality components
- Tougher validation and design criteria
- Internal-checked TXV

Charge Assist™ Benefits:

- Eliminates need for pressure and temperature gauges, charts and calculations
- Gives installers a higher level of confidence
- Accurate and automatic charging which leads to improved reliability and durability
- Saves time and callbacks



American Standard Heating & Air Conditioning benefits for your customers

Reliable performance

Design innovations and rigorous SEET testing ensure that our name goes on only the most reliable products.

Durable construction

Materials for all components are torture-tested for consistent, reliable, long-lasting performance and durability.

Enhanced comfort

Add a variable-speed indoor fan motor to decrease sound and increase humidity control and efficiency for maximum comfort.

Cleaner air

Add an AccuClean™ air cleaner to remove up to 99.98% of airborne allergens from filtered air for a cleaner, more comfortable home.

Efficient operation

Increased efficiency may lower cooling costs.

A reputation built on reliability and durability.

We salute independent American Standard Heating & Air Conditioning dealers who work to improve the lives of their customers' families.

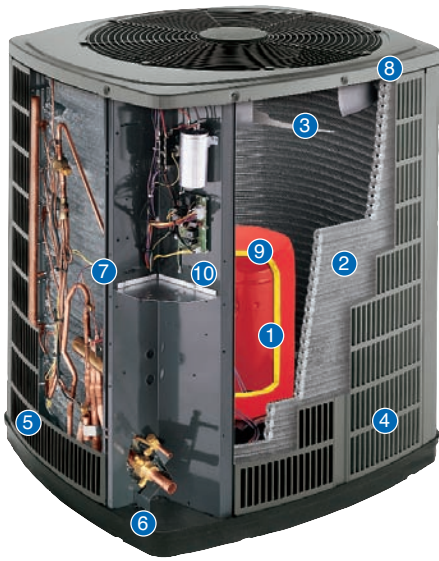
Our promise to you is to continually dedicate ourselves to creating and manufacturing new and innovative products - products that make you and your customers a lot more comfortable.

American Standard
HEATING & AIR CONDITIONING
americanstandardair.com

Model Number	Nominal Tons	Height (Inches)	Width (Inches)	Depth (Inches)
Heritage 18 Communicating Models				
2A6H8030C	2.5	41	37	34
2A6H8036C	3.0	41	37	34
2A6H8048C	4.0	41	37	34
2A6H8060C	5.0	41	37	34

Greater efficiency, more comfort.

Your customers can enjoy even more year-round comfort with the American Standard Heritage 15, our most efficient single-stage outdoor unit with up to **16 SEER**. The Heritage 15 offers improved energy savings and superior technology, including the **long-term reliability of our Duration™ compressor** and our exclusive **Spine Fin™ coil for better heat transfer**. Built for long-term efficiency and performance, the Heritage 15 makes a smart choice for your customers to maintain a comfortable home – and for you to bring home solid profits.



Comfort features you can take to the bank.

- 1 Duration™ Compressor**
Durable and torture-tested for years of worry-free operation.
- 2 Exclusive Spine Fin™ coil**
An industry-leading technology constructed of thousands of tiny aluminum fins for a larger surface area, resulting in enhanced heat transfer. Less likely to corrode than aluminum/copper coils – even under the harshest conditions.
- 3 Single-speed fan motor**
Offers quiet operation and conserves energy for greater efficiency.

Heritage® Heat Pump 15

Premium



Up to
16.0 SEER

Up to
9.0 HSPF

10-year limited warranty
on compressor and coil
5-year limited warranty
on all other parts

- 4 Steel louvered panels**
22-gauge, galvanized steel louvered panels serve to keep the coil's surface clean, while protecting it from damaging elements like leaves, tree branches and hail.
- 5 Appliance-grade finish**
Durable powder-paint finish resists rust and scratches, eliminates sharp edges and provides years of lasting protection.
- 6 Durabase™ basepan**
Manufactured to exacting standards from durable composite material. Will not crack, warp, corrode or rust.
- 7 Easy-Sess™ cabinet with full coil protection**
Allows easy access to electrical and refrigerant controls. Improves installation and service time. Decreases unit downtime.
- 8 SermaGuard™ rust-resistant screws**
Tested in salt-spray cabinets and in a weathering tester that simulates the damaging effects of ultraviolet light. Proven to prevent rust streaks from marring the finish.
- 9 Compressor sound insulator**
Diminishes operating noise and creates a more peaceful home environment.
- 10 Electronic demand defrost**
Eliminates unnecessary defrost cycles for energy savings and longer compressor life.

Heritage®
Heat Pump
15

Your Profit-ability with American Standard

Sell-ability

- Industry leader and brand reputation
- Precision engineering
- Sound level as low as 71 dB
- Matched systems
- 10/10/5 warranty

Install-ability

- Easy-Sess™ cabinet
- Easy-access service valves

Service-ability

- Easy single-side access
- Refrigerant components outside of coil
- Easy coil cleaning
- Rotolock fittings/no brazing
- Standardized component locations

Performance-ability

- Up to 16.0 SEER, 9.0 HSPF
- SEET tested
- Spine Fin™ coil
- Duration™ compressor
- Faster defrost

Rely-ability

- Factory-installed liquid line filter dryer
- Quality components
- Tougher validation and design criteria
- Internal-checked TXV

A warranty for you and your customers.

Not only does an American Standard extended warranty protect your customers, it allows you to maintain a relationship with them and generate future business. Extended warranties are also a great way to promote your reputation in the community and collect referrals, while ensuring customer satisfaction.

American Standard benefits for your customers

Reliable performance

Design innovations and rigorous SEET testing ensure that our name goes on only the most reliable products.

Durable construction

Materials for all components are torture-tested for consistent, reliable, long-lasting performance and durability.

Enhanced comfort

Add a variable-speed indoor fan motor to decrease sound and increase humidity control and efficiency for maximum comfort.

Cleaner air

Add an AccuClean™ air cleaner to remove up to 99.98% of airborne allergens from filtered air for a cleaner, more comfortable home.

Efficient operation

Increased efficiency may lower cooling costs.

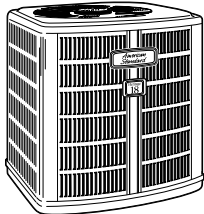
A reputation built on reliability and durability.

We salute independent American Standard dealers who work to improve the lives of their customers' families. Our promise to you is to continually dedicate ourselves to creating and manufacturing new and innovative products – products that make you and your customers a lot more comfortable.

American Standard
HEATING & AIR CONDITIONING
americanstandardair.com

Model Number	Nominal Tons	Height (Inches)	Width (Inches)	Depth (Inches)
Heritage 15 Models				
4A6H5018	1.5	33	34	37
4A6H5024	2.0	33	34	37
4A6H5030	2.5	41	34	37
4A6H5036	3.0	41	34	37
4A6H5042	3.5	41	34	37
4A6H5048	4.0	45	34	37
4A6H5060	5.0	45	34	37

Split System Heat Pumps Single Phase – 1½-5 Tons

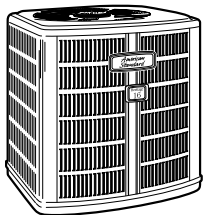


Heritage 18 (2A6H8)

Table SH-1-A — Heritage 18 Split System Heat Pump — Single Phase with AccuLink™

Model Number	Power Supply	Nom. Cap. Cooling (BTUH)	Uncrated Dimensions(in.)			Shipping Weight (lbs.)	Sound** Rating	MCA*	Max. Fuse*	Line Size	
			H	W	D					OD Gas	OD Liq.
2A6H8030C1000A	200/230/1/60	30,000	41	37	34	421	74	19	30	7/8	3/8
2A6H8036C1000A	200/230/1/60	36,000	41	37	34	418	74	22	35	7/8	3/8
2A6H8048C1000A	200/230/1/60	48,000	41	37	34	426	74	25	40	1 1/8	3/8
2A6H8060C1000A	200/230/1/60	60,000	41	37	34	432	74	37	60	1 1/8	3/8

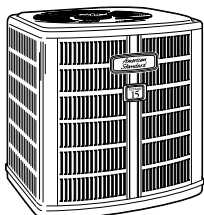
Note: Because of limited capabilities, please refer to product data for approved combinations.



Heritage 16 (4A6H6)

Table SH-1-B — Heritage 16 Split System Heat Pump — Single Phase

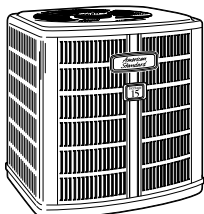
Model Number	Power Supply	Nom. Cap. Cooling (BTUH)	Uncrated Dimensions(in.)			Shipping Weight (lbs.)	Sound** Rating	MCA*	Max. Fuse*	Line Size	
			H	W	D					OD Gas	OD Liq.
4A6H6024B1000A	230/1/60	24,000	37	33	30	240	71	13	20	5/8	5/16
4A6H6036B1000A	230/1/60	36,000	37	37	34	273	74	24	40	3/4	3/8
4A6H6048B1000A	230/1/60	48,000	41	37	34	285	74	28	45	7/8	3/8
4A6H6060B1000A	230/1/60	60,000	41	37	34	328	74	35	60	7/8	3/8



Heritage 15 (2A6H5)

Table SH-1-C — Heritage 15 Split System Heat Pump — Single Phase

Model Number	Power Supply	Nom. Cap. Cooling (BTUH)	Uncrated Dimensions(in.)			Shipping Weight (lbs.)	Sound** Rating	MCA*	Max. Fuse*	Line Size	
			H	W	D					OD Gas	OD Liq.
2A6H5024A1000A	208/230/1/60	24,000	33	37	34	242	74	14	20	3/4	5/16
2A6H5030A1000A	208/230/1/60	30,000	37	37	34	258	71	20	30	3/4	5/16
2A6H5036A1000A	208/230/1/60	36,000	41	37	34	272	74	20	30	7/8	3/8
2A6H5042A1000A	208/230/1/60	42,000	41	37	34	281	72	23	35	7/8	3/8
2A6H5048A1000A	208/230/1/60	48,000	1	37	34	309	74	26	40	1 1/8	3/8



Heritage 15 (4A6H5)

Table SH-1-D — Heritage 15 Split System Heat Pump — Single Phase

Model Number	Power Supply	Nom. Cap. Cooling (BTUH)	Uncrated Dimensions(in.)			Shipping Weight (lbs.)	Sound** Rating	MCA*	Max. Fuse*	Line Size	
			H	W	D					OD Gas	OD Liq.
4A6H5018A1000A	200/230/1/60	18,000	33	37	34	252	72	12	15	1/2	3/8
4A6H5024A1000A	200/230/1/60	24,000	33	37	34	255	71	15	20	5/8	3/8
4A6H5030A1000A	200/230/1/60	30,000	41	37	34	281	71	17	25	3/4	3/8
4A6H5036A1000A	208/230/1/60	36,000	41	37	34	283	71	22	35	3/4	3/8
4A6H5042A1000A	208/230/1/60	42,000	41	37	34	313	71	28	45	3/4	3/8
4A6H5048A1000A	208/230/1/60	48,000	46	37	34	331	73	30	50	7/8	3/8
4A6H5060A1000A	208/230/1/60	60,000	46	37	34	332	74	36	60	7/8	3/8

* Information subject to change. Please confirm with current Product Data/Service Facts for current factory production.

** Rated in accordance with ARI Standard 270, section 5.3.6.

Split System Heat Pumps Single Phase – 1½-5 Tons

Heritage

Table SH-2-A — Features

	18 (2A6H8)	16 (4A6H6)	15 (2A6H5)	15 (4A6H5)
• SEER's up to	17.90	17.00	16.50	16.00
• HSPF's up to	8.80	9.20	9.00	9.00
• Duration™ compressor	2	1 - stage	✓	✓
• Comfort-R™ mode approved	✓	✓	✓	✓
• AccuLink™ system only two wire control connections	✓	—	—	—
• Charge Assist™ fast /accurate charging every time	✓	—	—	—
• DuraBase™ base, fast complete drain, weatherproof	✓	✓	✓	✓
• Easy-Sess™ cabinet, service access & refrigerant connections with full coil protection	✓	✓	✓	✓
• Spine Fin™ coil	✓	✓	✓	✓
• Compressor sump - factory installed	2½-5	2-5	2-4	✓
• Demand Defrost Control w/Lite Port™/Stored Diagnostics	4	4	4	✓
• Quick start kit-factory installed	2½-5	2, 4-5	—	1½-2½,5
• Compressor sound enclosures	2½-5	2-5	2-4	✓
• Factory supplied charge	R-22	R-410A	R-22	R-410A
• Glossy corrosion resistant finish	✓	✓	✓	✓
• High pressure switch	—	✓	✓	✓
• Internal high / low pressure & temperature protection	✓	✓	✓	✓
• Liquid line filter drier - factory installed	✓	✓	✓	✓
• Seacoast shield	✓	✓	✓	✓
• Spinnaker gray cabinet	✓	✓	✓	✓
• 10-year limited warranty on compressor, outdoor coil & 5-years on parts (Residential)	✓	✓	✓	✓
• Extended warranties available	✓	✓	✓	✓

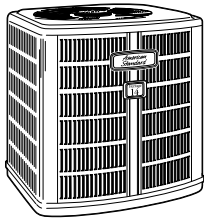
Table SH-2-B — Optional Accessories

AY28X084	Evaporator Defrost Control	—	✓	✓	✓
BAYACHP024A	24 Volt Wiring Harness	✓	—	—	—
BAYCAKT001	Charge Assist™ Solenoid Kit	✓	—	—	—
BAYECMT023	Extreme Conditions Mounting Kit (Base 2/3)	—	2	—	—
BAYECMT004	Extreme Conditions Mounting Kit (Base 4)	✓	3-5	—	—
BAYINS001	Insulation Kit	✓	✓	✓	✓
BAYISLT101	Rubber Isolators	✓	✓	✓	✓
BAYKSKT260	Start kit (Scroll)	—	3	2-4	3-4
BAYLEGS002	Snow Legs - Base and Cap 6" High (Black)	✓	✓	✓	✓
BAYLEGS003	4" extension (Black)	✓	✓	✓	✓
BAYSEAC001	Seacoast Kit	✓	—	—	✓
TAYASCT501AⓈⓉ	Anti-Short Cycle Timer	✓	✓	✓	✓
TAYPLUS103A	Heat Pump Control Kit	✓	✓	✓	✓

Comfort Controls — See Comfort Controls/Zone Sensors Section

Ⓢ Not for use with programmable thermostats.
Ⓣ Activated on Power Off.

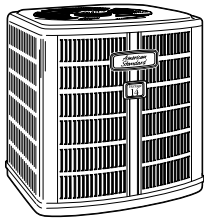
Split System Heat Pumps Single Phase – 1½-5 Tons



Heritage 14 (2A6H4)

Table SH-3-A — Heritage 14 Split System Heat Pump — Single Phase

Model Number	Power Supply	Nom. Cap. Cooling (BTUH)	Uncrated Dimensions(in.)			Shipping Weight (lbs.)	Sound** Rating	MCA*	Max. Fuse*	Line Size	
			H	W	D					OD Gas	OD Liq.
2A6H4018B1000A	200/230/1/60	18,000	33	33	30	228	74	8	15	5/8	1/4
2A6H4024B1000A	200/230/1/60	24,000	37	33	30	242	74	11	15	3/4	5/16
2A6H4030B1000A	208/230/1/60	30,000	33	37	34	245	73	18	30	3/4	5/16
2A6H4036B1000A	208/230/1/60	36,000	37	37	34	263	74	21	35	7/8	3/8
2A6H4042B1000A	208/230/1/60	42,000	41	37	34	277	74	24	40	7/8	3/8
2A6H4048B1000A	208/230/1/60	48,000	41	37	34	282	74	28	45	1 1/8	3/8
2A6H4060B1000A	208/230/1/60	60,000	41	37	34	306	74	34	50	1 1/8	3/8



Heritage 14 (4A6H4)

Table SH-3-B — Heritage 14 Split System Heat Pump — Single Phase

Model Number	Power Supply	Nom. Cap. Cooling (BTUH)	Uncrated Dimensions(in.)			Shipping Weight (lbs.)	Sound** Rating	MCA*	Max. Fuse*	Line Size	
			H	W	D					OD Gas	OD Liq.
4A6H4024B1000A	200/230/1/60	24,000	41	33	30	250	74	13	20	5/8	5/16
4A6H4030B1000A	208/230/1/60	30,000	41	33	30	246	71	20	30	3/4	5/16
4A6H4036B1000A	208/230/1/60	36,000	37	37	34	266	74	21	35	3/4	3/8
4A6H4042B1000A	208/230/1/60	42,000	41	37	34	281	74	25	40	3/4	3/8
4A6H4048B1000A	208/230/1/60	48,000	41	37	34	288	74	30	50	7/8	3/8
4A6H4060B1000A	208/230/1/60	60,000	41	37	34	326	74	36	60	7/8	3/8

* Information subject to change. Please confirm with current Product Data/Service Facts for current factory production.

** Rated in accordance with ARI Standard 270, section 5.3.6.

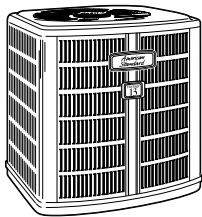
Split System Heat Pumps Single Phase – 1½-5 Tons

Table SH-4-A — Features	Heritage	
	14 (2A6H4)	14 (4A6H4)
• SEER's up to	15.00	15.00
• HSPF's up to	9.00	9.00
• Duration™ compressor	✓	✓
• Comfort-R™ mode approved	✓	✓
• DuraBase™ base, fast complete drain, weatherproof	✓	✓
• Easy-Sess™ cabinet, service access & refrigerant connections with full coil protection	✓	✓
• Spine Fin™ coil	✓	✓
• Compressor sump - factory installed	1½-5	2-5
• Demand Defrost Control w/Lite Port™/Stored Diagnostics	4	4
• Quick start kit-factory installed	1½, 2&5	2&5
• Compressor sound enclosures	1½-5	2-5
• Factory supplied charge	R-22	R-410A
• Glossy corrosion resistant finish	✓	✓
• High pressure switch	—	✓
• Internal high / low pressure & temperature protection	✓	✓
• Liquid line filter drier - factory installed	✓	✓
• Seacoast shield	✓	✓
• Spinnaker gray cabinet	✓	✓
• 10-year limited warranty on compressor, outdoor coil & and 5-years on parts (Residential)	✓	✓
• Extended warranties available	✓	✓
Table SH-4-B — Optional Accessories		
AY28X084 Evaporator Defrost Control	✓	✓
BAYECMT023 Extreme Conditions Mounting Kit (Base 2/3)	1½-2	2-2½
BAYECMT004 Extreme Conditions Mounting Kit (Base 4)	2½-5	3-5
BAYINS001 Insulation Kit	✓	✓
BAYISLT101 Rubber Isolators	✓	✓
BAYKSKT260 Start kit (Scroll)	2½-4	2½-4
BAYLEGS002 Snow Legs - Base and Cap 6" High (Black)	✓	✓
BAYLEGS003 4" extension (Black)	✓	✓
BAYSEAC001 Seacoast Kit	✓	✓
TAYASCT501AⓈⓈ Anti-Short Cycle Timer	✓	✓
TAYPLUS103A Heat Pump Control Kit	✓	✓

Comfort Controls — See Comfort Controls/Zone Sensors Section

- Ⓢ Not for use with programmable thermostats.
- Ⓢ Activated on Power Off.

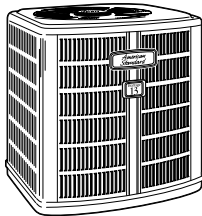
Split System Heat Pumps Single Phase – 1½-5 Tons



Heritage 13 (2A6H3)

Table SH-5-A — Heritage 13 Split System Heat Pump — Single Phase

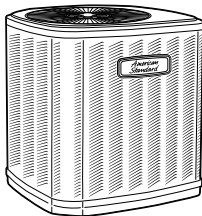
Model Number	Power Supply	Nom. Cap. Cooling (BTUH)	Uncrated Dimensions(in.)			Shipping Weight (lbs.)	Sound** Rating	MCA*	Max. Fuse*	Line Size	
			H	W	D					OD Gas	OD Liq.
2A6H3018A1000A	200/230/1/60	18,000	33	29	26	201	73	8	15	5/8	1/4
2A6H3024A1000A	200/230/1/60	24,000	33	29	26	203	76	12	20	3/4	5/16
2A6H3030A1000A	200/230/1/60	30,000	37	33	30	234	76	13	20	3/4	5/16
2A6H3036A1000A	200/230/1/60	36,000	37	37	34	281	76	19	30	7/8	3/8
2A6H3042A1000A	200/230/1/60	42,000	41	37	34	300	78	21	35	7/8	3/8
2A6H3048A1000A	200/230/1/60	48,000	41	37	34	306	76	25	40	1 1/8	3/8
2A6H3060A1000A	208/230/1/60	60,000	41	37	34	312	73	32	50	1 1/8	3/8



Heritage 13 (4A6H3)

Table SH-5-B — Heritage 13 Split System Heat Pump — Single Phase

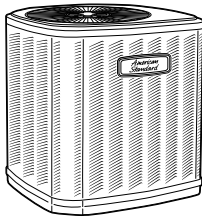
Model Number	Power Supply	Nom. Cap. Cooling (BTUH)	Uncrated Dimensions(in.)			Shipping Weight (lbs.)	Sound** Rating	MCA*	Max. Fuse*	Line Size	
			H	W	D					OD Gas	OD Liq.
4A6H3018A1000A	200/230/1/60	17,000	29	33	30	214	76	10	15	1/2	1/4
4A6H3024A1000A	200/230/1/60	23,000	29	33	30	217	76	12	20	5/8	5/16
4A6H3030A1000A	200/230/1/60	28,500	37	33	30	231	76	15	25	3/4	5/16
4A6H3036A1000A	208/230/1/60	34,500	37	37	34	271	75	21	35	3/4	3/8
4A6H3042A1000A	208/230/1/60	40,500	37	37	34	272	75	25	40	3/4	3/8
4A6H3048A1000A	208/230/1/60	46,500	41	37	34	285	76	30	50	7/8	3/8
4A6H3060A1000A	208/230/1/60	58,500	41	37	34	308	76	36	60	7/8	3/8



American Standard 13 (2A6B3)

Table SH-5-C — American Standard 13 Split System Heat Pump — Single Phase

Model Number	Power Supply	Nom. Cap. Cooling (BTUH)	Uncrated Dimensions(in.)			Shipping Weight (lbs.)	Sound** Rating	MCA*	Max. Fuse*	Line Size	
			H	W	D					OD Gas	OD Liq.
2A6B3018A1000A	200/230/1/60	17,000	33	29	26	202	74	8	15	5/8	1/4
2A6B3024A1000A	200/230/1/60	23,000	33	29	26	205	79	12	20	3/4	5/16
2A6B3030A1000A	200/230/1/60	28,500	37	33	30	240	79	13	20	3/4	5/16
2A6B3036A1000A	200/230/1/60	34,500	37	37	34	289	79	19	30	7/8	3/8
2A6B3042A1000A	200/230/1/60	40,500	41	37	34	308	80	21	35	7/8	3/8
2A6B3048A1000A	200/230/1/60	46,500	41	37	34	313	78	25	40	1 1/8	3/8
2A6B3060A1000A	208/230/1/60	58,500	41	37	34	314	79	32	50	1 1/8	3/8



American Standard 13 (4A6B3)

Table SH-5-D — American Standard 13 Split System Heat Pump — Single Phase

Model Number	Power Supply	Nom. Cap. Cooling (BTUH)	Uncrated Dimensions(in.)			Shipping Weight (lbs.)	Sound** Rating	MCA*	Max. Fuse*	Line Size	
			H	W	D					OD Gas	OD Liq.
4A6B3018A1000A	200/230/1/60	17,000	29	33	30	221	79	10	15	1/2	1/4
4A6B3024A1000A	200/230/1/60	23,000	29	33	30	224	81	12	20	5/8	5/16
4A6B3030A1000A	200/230/1/60	28,500	37	33	30	237	80	15	25	3/4	5/16
4A6B3036A1000A	208/230/1/60	34,500	37	37	34	277	79	21	35	3/4	3/8
4A6B3042A1000A	208/230/1/60	40,500	37	37	34	278	80	25	40	3/4	3/8
4A6B3048A1000A	208/230/1/60	46,500	41	37	34	291	78	30	50	7/8	3/8
4A6B3060A1000A	208/230/1/60	58,500	41	37	34	314	78	36	60	7/8	3/8

* Information subject to change. Please confirm with current Product Data/Service Facts for current factory production.

** Rated in accordance with ARI Standard 270, section 5.3.6.

Split System Heat Pumps Single Phase – 1½-5 Tons

Heritage and American Standard

Table SH-6-A — Features

	13 (2A6H3)	13 (4A6H3)	13 (2A6B3)	13 (4A6B3)
• SEER's up to	14.00	14.00	14.00	14.00
• HSPF's up to	9.00	9.00	8.50	8.50
• Duration™ compressor	✓	✓	✓	✓
• Comfort-R™ mode approved	✓	✓	✓	✓
• DuraBase™ base, fast complete drain, weatherproof	✓	✓	✓	✓
• Easy-Sess™ cabinet, service access & refrigerant connections with full coil protection	✓	✓	✓	✓
• Spine Fin™ coil	✓	✓	✓	✓
• Compressor sump - factory installed	1½-5	1½-5	1½-5	2-5
• Demand Defrost Control w/Lite Port™/Stored Diagnostics	4	4	4	4
• Quick start kit-factory installed	1½-5	1½-2½,5	1½-5	1½-2½,5
• Low Pressure Switch	✓	✓	✓	✓
• Factory supplied charge	R-22	R-410A	R-22	R-410A
• Glossy corrosion resistant finish	✓	✓	✓	✓
• High pressure switch	—	✓	—	✓
• Internal high / low pressure & temperature protection	✓	✓	✓	✓
• Liquid line filter drier - factory installed	✓	✓	✓	✓
• Polyslate gray cabinet	—	—	✓	✓
• Spinnaker gray cabinet	✓	✓	—	—
• 10-year limited warranty on compressor, outdoor coil and 5-years on parts (Residential)	✓	✓	—	—
• 5-year limited warranty on compressor, outdoor coil and 5-years on parts (Residential)	—	—	✓	✓
• Extended warranties available	✓	✓	✓	✓

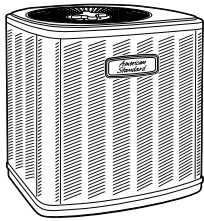
Table SH-6-B — Optional Accessories

AY28X084	Evaporator Defrost Control	✓	✓	✓	✓
BAYCCHT300	Crankcase Heater Kit (Reciprocating)	—	—	—	1½
BAYECMT023	Extreme Conditions Mounting Kit (Base 2/3)	1½-2½	1½-2½	1½-2½	1½-2½
BAYECMT004	Extreme Conditions Mounting Kit (Base 4)	3-5	3-5	3-5	3-5
BAYINS001	Insulation Kit	✓	✓	✓	✓
BAYISLT101	Rubber Isolators	✓	✓	✓	✓
BAYKSKT260	Start kit (Scroll)	—	3-4	—	3-4
BAYLEGS002A	Snow Legs Base and Cap 6" High (Black)	✓	✓	✓	✓
BAYLEGS003A	4" Extension (Black)	✓	✓	✓	✓
BAYLOAM103	Low Ambient Kit	✓	✓	✓	✓
BAYSEAC001	Seacoast Kit	✓	✓	✓	✓
TAYASCT501AⓈⓈ	Anti-Short Cycle Timer	✓	✓	✓	✓
TAYPLUS103A	Heat Pump Control Kit	✓	✓	✓	✓

Comfort Controls — See Comfort Controls/Zone Sensors Section

Ⓢ Do not use with programmable thermostats.
Ⓢ Activated on Power Off.

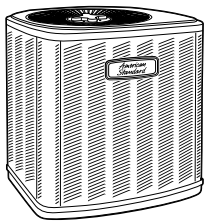
Split System Heat Pumps Three Phase – 2½-6 Tons



13 SEER

Table SH-7-A — 13 SEER Split System Heat Pump — Single Phase

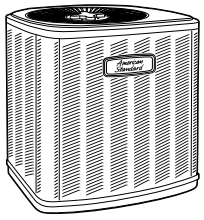
Model Number	Power Supply	Nom. Cap. Cooling (BTUH)	Uncrated Dimensions(in.)			Shipping Weight (lbs.)	Sound** Rating	MCA*	Max. Fuse*	Line Size	
			H	W	D					OD Gas	OD Liq.
2A6C3030A3000A	200/230/3/60	30,000	37	33	30	239	77	9	15	¾	5/16
2A6C3036A3000A	200/230/3/60	36,000	37	37	34	285	79	11	15	7/8	3/8
2A6C3042A3000A	200/230/3/60	42,000	41	37	34	304	80	13	20	7/8	3/8
2A6C3048A3000A	200/230/3/60	48,000	41	37	34	301	78	16	25	1 1/8	3/8
2A6C3060A3000A	200/230/3/60	60,000	41	37	34	303	73	23	40	1 1/8	3/8
2A6C3030A4000A	460/3/60	30,000	37	33	30	239	77	5	15	¾	5/16
2A6C3036A4000A	460/3/60	36,000	37	37	34	286	79	6	15	7/8	3/8
2A6C3042A4000A	460/3/60	42,000	41	37	34	305	80	7	15	7/8	3/8
2A6C3048A4000A	460/3/60	48,000	41	37	34	310	78	9	15	1 1/8	3/8
2A6C3060A4000A	460/3/60	48,000	41	37	34	304	73	11	15	1 1/8	3/8



13 SEER

Table SH-7-B — 13 SEER Split System Heat Pump - Three Phase

Model Number	Power Supply	Nom. Cap. Cooling (BTUH)	Uncrated Dimensions(in.)			Shipping Weight (lbs.)	Sound** Rating	MCA*	Max. Fuse*	Line Size	
			H	W	D					OD Gas	OD Liq.
4A6C3030A3000A	200/230/3/60	30,000	37	33	30	233	80	11	15	¾	5/16
4A6C3036A3000A	200/230/3/60	36,000	37	37	34	264	79	16	25	¾	3/8
4A6C3042A3000A	200/230/3/60	42,000	37	37	34	269	80	18	30	¾	3/8
4A6C3048A3000A	200/230/3/60	48,000	41	37	34	277	78	21	35	7/8	3/8
4A6C3060A3000A	200/230/3/60	60,000	41	37	34	297	78	24	40	7/8	3/8
4A6C3030A4000A	460/3/60	30,000	37	33	30	231	80	5	15	¾	5/16
4A6C3036A4000A	460/3/60	36,000	37	37	34	263	79	7	15	¾	3/8
4A6C3042A4000A	460/3/60	42,000	37	37	34	268	80	9	15	¾	3/8
4A6C3048A4000A	460/3/60	48,000	41	37	34	276	78	9	15	7/8	3/8
4A6C3060A4000A	460/3/60	60,000	41	37	34	296	78	12	20	7/8	3/8



10 SEER

Table SH-7-C — 10 SEER Split System Heat Pump - Three Phase

Model Number	Power Supply	Nom. Cap. Cooling (BTUH)	Uncrated Dimensions(in.)			Shipping Weight (lbs.)	Sound** Rating	MCA*	Max. Fuse*	Line Size	
			H	W	D					OD Gas	OD Liq.
2A6C0030A3000A	200/230/3/60	30,000	29	29	26	193	82	13	20	¾	5/16
2A6C0036A3000A	200/230/3/60	36,000	29	29	26	192	80	15	25	7/8	3/8
2A6C0042A3000A	200/230/3/60	42,000	33	33	30	250	81	17	30	7/8	3/8
2A6C0048A3000A	200/230/3/60	48,000	33	33	30	254	81	19	30	1 1/8	3/8
2A6C0060A3000A	200/230/3/60	60,000	33	37	34	289	84	25	40	1 1/8	3/8
2A6C0072A3000A	200/230/3/60	72,000	41	37	34	327	81	26	40	1 1/8	3/8
2A6C0030A4000A	460/3/60	30,000	29	29	26	193	82	7	15	¾	5/16
2A6C0036A4000A	460/3/60	36,000	29	29	26	192	77	7	15	7/8	3/8
2A6C0042A4000A	460/3/60	42,000	33	33	30	250	81	9	15	7/8	3/8
2A6C0048A4000A	460/3/60	48,000	33	33	30	254	81	10	15	1 1/8	3/8
2A6C0060A4000A	460/3/60	60,000	33	37	34	289	84	12	20	1 1/8	3/8
2A6C0072A4000A	460/3/60	72,000	41	37	34	327	81	14	20	1 1/8	3/8

* Information subject to change. Please confirm with current Product Data/Service Facts for current factory production.
** Rated in accordance with ARI Standard 270, section 5.3.6.

Split System Heat Pumps Three Phase – 2½-6 Tons

Table SH-8-A — Features

	13 (2A6C3)	13 (4A6C3)	10 (2A6C0)
• SEER's up to	13.00	13.00	10.50
• HSPF's up to	8.50	8.50	8.70
• Duration™ compressor	✓	✓	✓
• Comfort-R™ mode approved	✓	✓	✓
• DuraBase™ base, fast complete drain, weatherproof	✓	✓	✓
• Easy-Sess™ cabinet, service access & refrigerant connections with full coil protection	✓	✓	✓
• Spine Fin™ coil	✓	✓	✓
• Compressor sump - factory installed	✓	2½-5	2½-6
• Demand Defrost Control w/Lite Port™/Stored Diagnostics	✓	✓	✓
• Factory supplied charge	R-22	R-410A	R-22
• Glossy corrosion resistant finish	✓	✓	✓
• Liquid line filter drier - factory installed	✓	✓	✓
• Low pressure switch	✓	✓	✓
• Internal high / low pressure & temperature protection	✓	✓	✓
• Polyslate gray cabinet	✓	✓	✓
• 5-year limited warranty on compressor, outdoor coil & 1-year on parts (Commercial)	✓	✓	✓
• 5-year limited warranty on compressor, outdoor coil & 5-years on parts (Residential)	✓	✓	✓
• Extended warranties available	✓	✓	✓

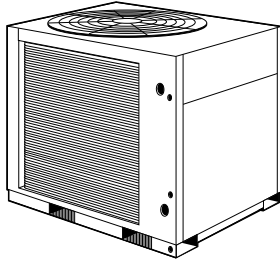
Table SH-8-B — Optional Accessories

AY28X084	Evaporator defrost control	✓	✓	✓
BAYECMT023	Extreme Conditions Mounting Kit (Base 2/3)	2½	2½	2½-4
BAYECMT004	Extreme Conditions Mounting Kit (Base 4)	3-5	3-5	5-6
BAYINS001	Insulation Kit	✓	✓	✓
BAYISLT101	Rubber Isolators	✓	✓	✓
BAYLEGS002	Snow Legs - Base and Cap - 6" (Black)	✓	✓	✓
BAYLEGS003	4" Extension (used with BAYLEGS002) (Black)	✓	✓	✓
BAYLOAM103	Electronic Head Pressure Control	✓	✓	✓
BAYSEAC001	Seacoast Kit	✓	✓	✓
TAYASCT501A [ⓐ]	Anti-Short Cycle Timer	✓	✓	✓

Comfort Controls — See Comfort Controls/Zone Sensors Section

- ⓐ Do not use with programmable thermostats.
- ⓑ Activated on Power Off.

Split System Heat Pumps Three Phase – 7½-20 Tons



TWA – 7½-20 Tons

- Single refrigerant circuit on 7½ and 10 ton sizes (Scroll compressor)
- Dual refrigerant circuits on 15 and 20 ton sizes (Two Scroll compressors)
- Service valves with pressure taps
- Utilizes compressor(s) for high reliability and long life
- Vertical upflow condenser discharge
- Electronic time/temp. defrost control
- Plate type aluminum fin/copper enhanced tube condenser heat transfer for high efficiency to reduce energy consumption
- High/low pressure cut-out switches
- Internal pressure relief valve
- Single side service access for reduced maintenance cost
- Factory installed refrigerant drier to increase reliability
- Brazed refrigerant piping connections
- Powder paint
- Low ambient cooling to 50°F as shipped
- **5-year compressor warranty through 15 tons, 1-year limited parts warranty**
- **1-year compressor warranty on 20 ton unit, 1-year limited parts warranty**

1 2 3 4 5 6 7 8 9 10 11 12
T W A 0 9 0 A 3 0 0 B 0

Factory-Installed Options

00 = Standard Unit
OS = Epoxy Coil

Table SH-9-A— TWA Split System Heat Pump — Single Compressor

Model Number	Power Supply	Nom. Cap. Cooling (BTUH)	Uncrated Dimensions(in.)			Shipping Weight (lbs.)	Sound [Ⓞ] Rating	MCA*	Max Fuse*	Line Size	
			H	W	L					OD Gas	OD Liq.
TWA090A300F	208-230/3/60	91,000	39	34	41	390	8.8	34.5	50	1⅜	1/2
TWA120A300F	208-230/3/60	124,000	44	38	51	502	8.8	48.1	70	1⅜	1/2
TWA090A400F	460/3/60	91,000	39	34	41	390	8.8	18.1	25	1⅜	1/2
TWA120A400F	460/3/60	124,000	44	38	51	502	8.8	23.3	35	1⅜	1/2
TWA090AW00F	575/3/60	91,000	39	34	41	390	8.8	14.5	25	1⅜	1/2
TWA120AW00F	575/3/60	124,000	44	38	51	502	8.8	18.8	35	1⅜	1/2

Table SH-9-B— TWA Split System Heat Pump — Dual Compressor

Model Number	Power Supply	Nom. Cap. Cooling (BTUH)	Uncrated Dimensions(in.)			Shipping Weight (lbs.)	Sound [Ⓞ] Rating	MCA*	Max Fuse*	Line Size	
			H	W	L					OD Gas	OD Liq.
TWA180B300F	208-230/3/60	182,000	38	34	88	816	8.8	62.7	80	1⅜	1/2
TWA240B300F	208-230/3/60	240,000	45	44	94	934	8.8	87.8	100	1⅜	1/2
TWA180B400F	460/3/60	182,000	38	34	88	816	8.8	32.9	45	1⅜	1/2
TWA240B400F	460/3/60	240,000	45	44	94	934	8.8	42.5	50	1⅜	1/2
TWA180BW00F	575/3/60	182,000	38	34	88	816	8.8	26.3	35	1⅜	1/2
TWA240BW00F	575/3/60	240,000	45	44	94	934	8.8	34.2	45	1⅜	1/2

Ⓞ Sound Rating shown is tested in accordance with ARI standard 270 or 370.

* Information subject to change. Please confirm with current Product Data/Service Facts for current factory production.

Split System Heat Pumps Three Phase – 7½-20 Tons

Table SH-10-A — Optional Accessories

Model Number	Description	Used With
BAYISLT005A	Rubber-In-Shear Isolator	TWA090, 120A
BAYISLT009A	Rubber-In-Shear Isolator	TWA180B
BAYISLT010A	Rubber-In-Shear Isolator	TWA240B
BAYISLT023A	Steel Spring Isolator	TWA090, 120A
BAYISLT024A	Steel Spring Isolator	TWA180B
BAYISLT025A	Steel Spring Isolator	TWA240B
BAYASCT001 ^{②④}	Anti-Short-Cycle Timer	All TWA Models
BAYSTAT033A	ODT 45°F to -10°F	All TWA Models
BAYGARD024A	Coil Guard Kit	TWA090A
BAYGARD038A	Coil Guard Kit	TWA120A
BAYGARD028A	Coil Guard Kit	TWA180B
BAYGARD042A	Coil Guard Kit	TWA240B
BAYLOAM015A ^①	Head Pressure Control-575V	TWA090W, TWA180BW
BAYLOAMW22A ^①	Head Pressure Control-575V	TWA120AW, TWA240BW
BAYLOAM326A ^{①③}	Head Pressure Control-230V	TWA090A3
BAYLOAM327A ^{①③}	Head Pressure Control-230V	TWA120A3
BAYLOAM328A ^{①③}	Head Pressure Control-230V	TWA240B3
BAYLOAM329A ^{①③}	Head Pressure Control-230V	TWA180B3
BAYLOAM425A ^{①③}	Head Pressure Control-460V	TWA090A4
BAYLOAM426A ^{①③}	Head Pressure Control-460V	TWA120A4
BAYLOAM427A ^{①③}	Head Pressure Control-460V	TWA240B4
BAYLOAM428A ^{①③}	Head Pressure Control-460V	TWA180B4
BAYLOAM429C ^{⑤⑥}	Low Ambient Fan Cycle Control	TWA090-240A, B, C
BAYRLAY002 ^②	Time Delay Relay	TWA180-240B, TWA090-120A
BAYRLAY005A	Heat Pump Interlock Relay Kit	BAYLOAM328A, 329A, 427A, 428A
BAYSTAT033A	ODT 45° F to - 10° F	TWA180-240B
TAYSTAT250B	Outdoor Thermostat	All Heat Pump Models

Table SH-10-B — Comfort Controls

Model Number	Description	Used With
ASYSTAT650	2 Heat/1 Cool Automatic Changeover	TWA090-120A
ASYSTAT652A	2 Heat/1 Cool Manual Changeover	TWA090-120A
ASYSTAT653	3 Heat/2 Cool Automatic Changeover	TWA180-240B
ASYSTAT705B ^④	Programmable Thermostat	All Models
ASYSTAT706A	Remote Wall Sensor	ASYSTAT705B
BAY28X190 ^③	Locking Thermostat Cover	All Room Thermostats
BAYBASE007A	3 Heat/2 Cool Subbase	ASYSTAT705B
BAYSENS034A	Remote Duct Sensor	ASYSTAT705B

① Quantity 1 required for each fan. (2 total for TWA180B, TWA240B)

② Do not use with programmable thermostats.

③ Requires the use of BAYRLAY005A Interlock Kit.

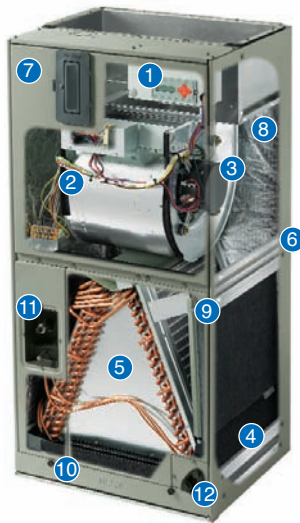
④ Activated on Power ON.

⑤ Kit mounts external to the outdoor unit and operates by sensing ambient and liquid line temperatures.

⑥ Cycles fan ON/OFF (no modulating).

Quiet, convenient and profitable.

Your customers can count on total home comfort with the **quiet operation** and **efficient performance** of American Standard 2/4TEE communicating air handlers. Featuring the convenience of **advanced AccuLink™ communicating technology**, your homeowners and your technicians are provided with **real-time operating information and remote programming by phone.*** With this innovative design you will not only boost business, but also save time and increase profitability with an easy-to-install **three-wire connection to the Comfort Control.**



Comfort features you can take to the bank.

- 1 AccuLink™ communicating capability with user interface**
Enables system to “communicate” its status and settings to the Comfort Control, while also allowing remote monitoring and programming by phone.* User interface clearly displays AccuLink diagnostics and setup information, allowing for easy maintenance and troubleshooting. Airflow is set up automatically and no adjustment to dip switches is required.
- 2 Three-wire connection**
Simplified connection to the Comfort Control enables faster, easier installation.
- 3 High efficiency, variable-speed blower motor with Comfort-R™**
Quietly and gradually ramps up to speed for a softer start and more consistent airflow. When partnered with exclusive Comfort-R technology, it reduces temperature variances from room to room and provides greater humidity control during cooling.

2/4TEE Variable-Speed Communicating Air Handler

Ultimate



5-year limited warranty

- 4 Composite, no-leak, rust-resistant drain pan**
Fully sloped to reduce standing water.
- 5 Extra-large coil surface**
Enhances heat transfer, providing greater efficiency as well as more heating and cooling capacity.
- 6 Recessed screws**
Will not snag on walls or door facings during installation.
- 7 Corrosion-resistant finish**
Covers all panels uniformly.
- 8 Air-Tite™ insulated cabinet**
Heavy steel and insulation protects against heating and cooling losses, reduces moisture buildup, limits noise levels and improves efficiency.
- 9 Fully gasketed doors**
Reduces air leaks and overall noise for improved efficiency.
- 10 Easy-access filter door**
Enables quick access for cleaning and easy replacement of standard filters.
- 11 External refrigerant connections**
Provide for faster installation and service.
- 12 External drain connections**
Threaded for positive seal.

*An American Standard Comfort Control is required for all 2/4TEE communicating air handlers. A Telephone Access Module (TAM) is also required for remote monitoring.

2/4TEE Variable-Speed
Communicating Air Handler

American Standard
HEATING & AIR CONDITIONING

2/4TEE Variable-Speed Communicating Air Handler

2/4TEE Variable-Speed Communicating Air Handler

Your Profit-ability with American Standard Heating & Air Conditioning Sell-ability

- Innovative communicating technology
- Superior performance and appearance
- High efficiency, variable-speed blower motor with Comfort-R™
- Air-Tite™ insulated cabinet
- Matched systems
- 5-year limited warranty

Install-ability

- AccuLink™ communicating capability with automatic airflow setup
- 6-way convertibility
- Recessed screws
- External drain connections
- Simplified wiring - 3 wires indoor/ 2 wires outdoor

Service-ability

- Communicating user interface
- Quick filter change with standard filters (select models)
- External refrigerant connections
- Easy coil cleaning

Performance-ability

- 400 CFM/ton nominal airflow
- Thermostatic expansion valve

Rely-ability

- Best reliability
- Quiet internal check valve
- Composite, no-leak, rust-resistant drain pan

A warranty for you and your customers.

Not only does an American Standard Extended Warranty protect your customers, it allows you to maintain a relationship with them and generate future business. Extended warranties are also a great way to promote your reputation in the community and collect referrals, while ensuring customer satisfaction.

American Standard Heating & Air Conditioning benefits for your customer

Reliable performance

Design innovations and rigorous testing ensure that our name goes on only the most reliable products.

Durable construction

Materials for all components are torture-tested for consistent, reliable, long-lasting performance and durability.

Enhanced comfort

Add American Standard accessories such as Comfort Controls and Humidifiers to enhance overall performance and maximize comfort.

Cleaner air

Integrated AccuClean™ technology removes up to 99% of airborne allergens from filtered air for a cleaner, more comfortable home.

Efficient operation

Increased efficiency may lower heating or cooling costs.

A reputation built on reliability and durability.

We salute independent American Standard Heating & Air Conditioning dealers who work to improve the lives of their customers' families.

Our promise to you is to continually dedicate ourselves to creating and manufacturing new and innovative products - products that make you and your customers a lot more comfortable.

American Standard
HEATING & AIR CONDITIONING
americanstandardair.com

Model Number	Capacity	Nominal Tonnage	Height (in.)	Width (in.)	Depth (in.)
2/4TEE Communicating Air Handlers					
2/4TEE3C31	31,000	2.5	43	21.5	21
2/4TEE3C37	37,000	3.0	45	23.5	21
2/4TEE3C40	40,000	3.0	52	26	21
2/4TEE3C49	49,000	4.0	58	26	21
2/4TEE3C65*	65,000	5.0	63	26	21

*Two-piece cabinet

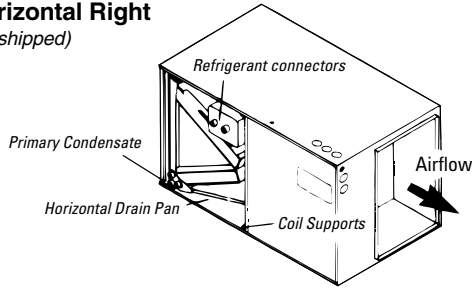
Air Handler Convertibility

One Unit – 4 Applications

Conversion 1 – 4

Horizontal Right

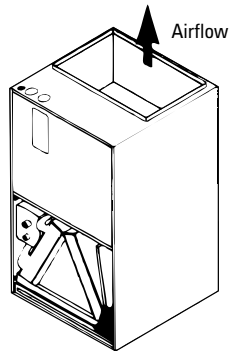
(as shipped)



Vertical Upflow

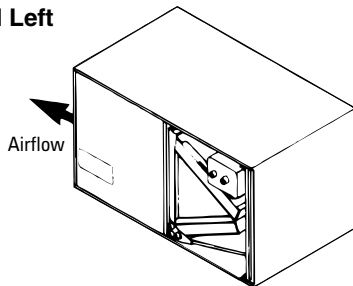
(as shipped)

One-Step Conversion
Stand unit on end



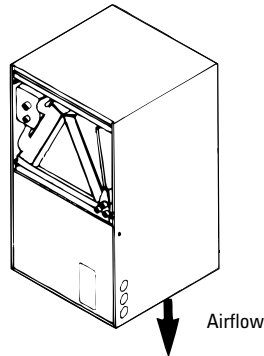
Horizontal Left

Rotate Coil



Vertical Downflow

One-Step Conversion
from Horizontal left



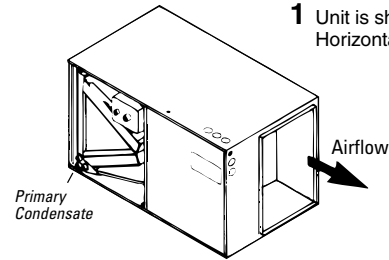
Six Conversion Applications

1. Horizontal Right – Front Access
2. Vertical Upflow
3. Horizontal Left – Front Access
4. Vertical Downflow
5. Horizontal Right – Rear Access
6. Horizontal Left – Rear Access

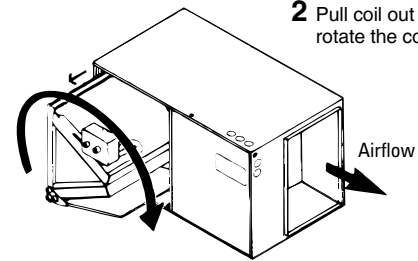
Easy Conversion to Opposite Side Access

Conversion 5 – 6

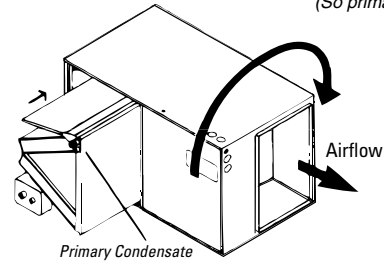
1 Unit is shipped as
Horizontal right



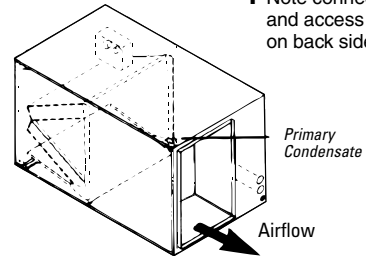
2 Pull coil out and
rotate the coil 180



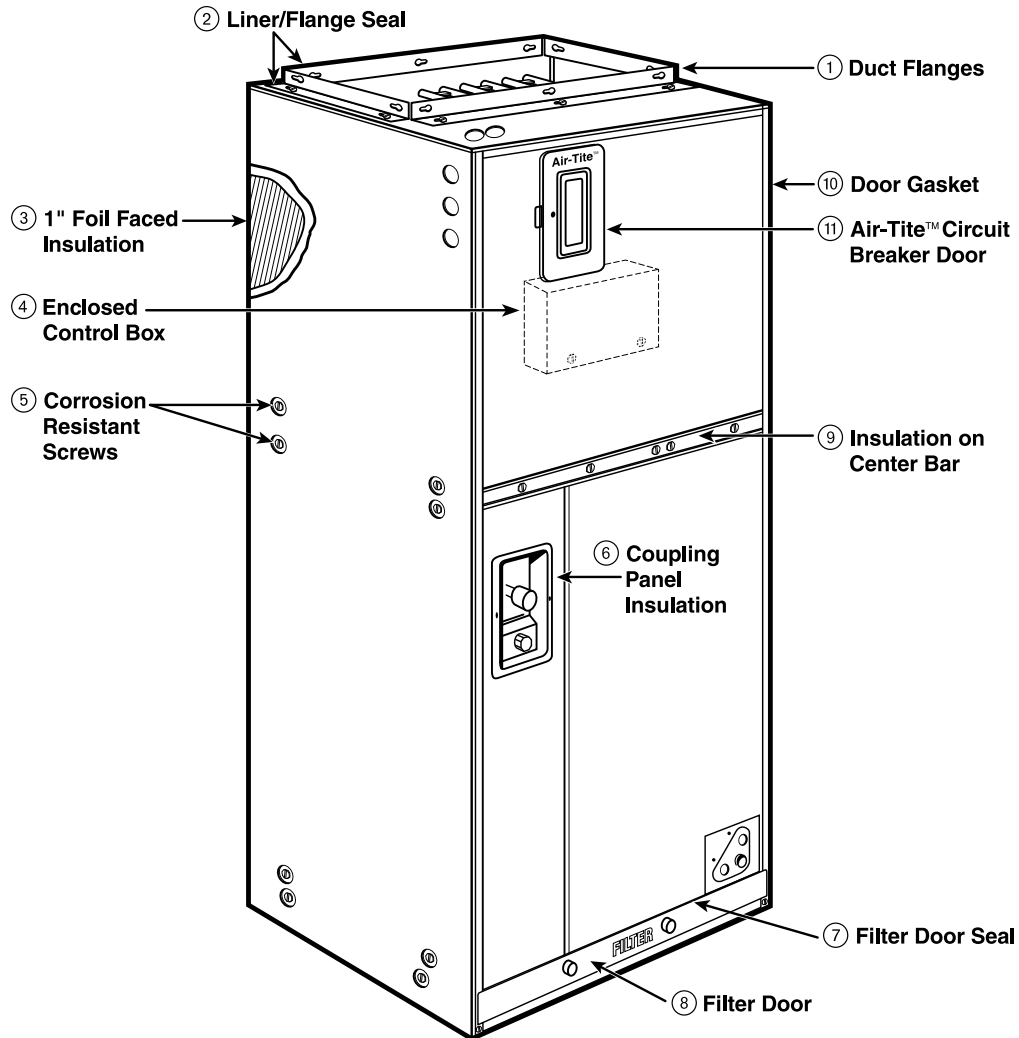
3 Slide coil back in on
supports and roll unit 180
(So primary condensate is down)



4 Note connections
and access are now
on back side of unit



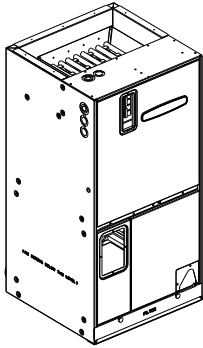
Air-Tite™ Features and Benefits



- ① **Duct Flange** – Allows flush fit for 3/4", 1" or 1 1/2" duct insulation.
- ② **Liner/Flange Seal** – Exclusive Duct Flange Thermal Break/Seal and double wall construction to reduce cabinet loss and sweating.
- ③ **1" Foil Faced Insulation** – Thicker foil faced insulation for reduced cabinet loss, sweating and lower power bills.
- ④ **Enclosed Control Box** – Totally enclosed control box with transformer inside to improve component life, unit durability and reliability.
- ⑤ **Corrosion Resistant Screws** – Exclusive Weatherguard™ coated screws to maintain the quality appearance of the unit for the life of the product.
- ⑥ **Coupling Panel Insulation** – Exclusive "No Burn" refrigerant coupling panel with thicker insulation for reduced heat loss.
- ⑦ **Filter Door Seal** – Improved door seal for reduced air infiltration, heat transfer, and lower power bills.
- ⑧ **Filter Door** – "Filter" is stamped on the panel, and includes two captive screws with easy grip knobs.
- ⑨ **Insulation on Center Bar** – Exclusive center bar insulation for reduced cabinet loss, sweating and lower power bills.
- ⑩ **Door Gasket** – Exclusive formed gasket (similar to car door gasket) to reduce air infiltration and heat transfer and lower power bills.
- ⑪ **Air-Tite™ Circuit Breaker Door** – Easy access to breakers with positive air seal.

Variable Speed Convertible Communicating Air Handlers

2½-5 Tons



2/4TEE3C

- Ships vertical - converts to horizontal by laying on side
- Six-way convertibility-horizontal left & right, front & rear access; upflow, downflow
- Electrical, refrigerant, condensate & blower access convertible to either side
- Compact 21" depth for easy installation
- Variable speed serial ECM motor
- Direct drive blower

- **Comfort-R™** enhanced dehumidification start-up
- Soft start - ON cycle fan speed is increased gradually to reduce sound and drafts
- 1" thick foil face insulated cabinet
- Corrosion resistant galvanized metal with attractive finish
- Versatile duct flange-allows flush fit ¾", 1" or 1.5" duct insulation
- Exclusive duct flange thermal break/seal
- Non-Bleed Thermal Expansion valve
- Check valve for heat pump application
- **AccuLink™** - 3-wire connectivity or 24 volt connection
- Easy **Air-Tite™** access to coil
- Internally enhanced finned coil tubing
- External brazed refrigerant connections
- Filter panel stamped with word "filter"
- Filter panel with door seal
- 200/230 volt primary & 24 volt secondary transformer
- Low voltage terminal board
- Uses 1400 series heaters
- Access to heater circuit breakers/pull disconnects
- Polarized plugs for making motor and transformer electrical connections from air handler control box to electric heaters
- Primary and secondary drain connections
- Built-in indoor fan delay function for increased efficiency
- Approved for manufactured/mobile and modular housing
- 2/4TEE3C31airflow selectable for 2-1/2 — 3 ton O.D. unit
- 2/4TEE3C37 airflow selectable for 2-1/2 — 3 ton O.D. unit
- 2/4TEE3C40 airflow selectable for 2-1/2 — 4 ton O.D. unit
- 2/4TEE3C49 airflow selectable for 4 — 5 ton O.D. unit
- 2/4TEE3C65 airflow selectable for 4 — 5 ton O.D. unit
- Energy savings continuous fan
- Enhanced cooling/heating control
- **Optional extended warranties**

Table AH-3-A — Variable Speed R-22 Air-Tite™ with Comfort-R™ Enhanced Mode Option 200-230/1/60

Unit Model No.	Cooling Capacity (Btuh)	Metering Device	Fan Speed	Dimensions (in.) H x W x D	Shipping Weight (lbs.)	Supply Opening ^{①②}	Return Opening ^①	Filter Sizes	Line Size Gas Liquid
2TEE3C31A1000A	31,000	TXV-NB	Variable	43x21.5x21	134	19.22x12.02 or 18.22x 11.02	19.5x18.07	20x20x1	¾ 5/16
2TEE3C37A1000A	37,000	TXV-NB	Variable	45x23.5x21	142	21.22x12.02 or 20.22x11.02	21.5x18.07	20x20x1	7/8 3/8
2TEE3C40A1000A	40,000	TXV-NB	Variable	51.8x26x21	174	23.72x12.02 or 22.72x11.02	24x18.07	20x25x1	7/8 3/8
2TEE3C49A1000A	49,000	TXV-NB	Variable	57.9x26x21	188	23.72x12.02 or 22.72x11.02	24x18.07	20x25x1	1 1/8 3/8
2TEE3C65A1000A	65,000	TXV-NB	Variable	62.8x26x21	218	23.72x12.02 or 22.72x11.02	24x18.07	20x25x1	1 1/8 3/8

Table AH-3-B — Variable Speed R-410A Air-Tite™ with Comfort-R™ Enhanced Mode Option 200-230/1/60

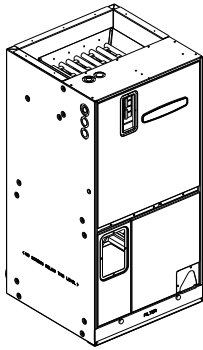
Unit Model No.	Cooling Capacity (Btuh)	Metering Device	Fan Speed	Dimensions (in.) H x W x D	Shipping Weight (lbs.)	Supply Opening ^{①②}	Return Opening ^①	Filter Sizes	Line Size Gas Liquid
4TEE3C31A1000A	31,000	TXV-NB	Variable	43x21.5x21	134	19.22x12.02 or 18.22x 11.02	19.5x18.07	20x20x1	¾ 5/16
4TEE3C37A1000A	37,000	TXV-NB	Variable	45x23.5x21	142	21.22x12.02 or 20.22x11.02	21.5x18.07	20x20x1	¾ 3/8
4TEE3C40A1000A	40,000	TXV-NB	Variable	51.8x26x21	174	23.72x12.02 or 22.72x11.02	24x18.07	20x25x1	¾ 3/8
4TEE3C49A1000A	49,000	TXV-NB	Variable	57.9x26x21	188	23.72x12.02 or 22.72x11.02	24x18.07	20x25x1	7/8 3/8
4TEE3C65A1000A	65,000	TXV-NB	Variable	62.8x26x21	218	23.72x12.02 or 22.72x11.02	24x18.07	20x25x1	7/8 3/8

Table AH-3-C — Accessories

Model Number	Description	Used With
AY28X079	Evaporator Defrost Control	All Cooling Models
AY28X084	Evaporator Defrost Control	All Heat Pump Models
BAY99X123 ^④	Knockout Cover Plate ^⑤	2/4TEE3C31A-65A
BAYSPEK140B	Single Power Entry Kit	BAYHTR1415BRKB,C, 1419BRKB,C
TAYBASE100	Downflow Subbase	2/4TEE3C37A
TAYBASE101	Downflow Subbase	2/4TEE3C31A
TAYBASE102	Downflow Subbase	2/4TEE3C40A,49A,65A
TAYPLNM100 ^③	Pedestal Plenum Upflow	2/4TEE3C31A-37A
TAYPLNM101	Pedestal Plenum Upflow	2/4TEE3C40A-65A
TAYPLNM120	Pedestal Plenum Upflow	2/4TEE3C31A-65A
TASB215	21.5" Cabinet Mounting Stand	2/4TEE3C31A
TASB235	23.5" Cabinet Mounting Stand	2/4TEE3C37A
TASB215	26" Cabinet Mounting Stand	2/4TEE3C40A,49A,65A

① Actual opening does not include flange.
 ② Adjustable duct flange allows for a flush fit with 1½ inch insulation or ¾ inch or 1 inch insulation.
 ③ 2/4TEE3D31A-center on plenum for 2" difference in width.
 ④ Minimum order 1 unit (1 unit = 50 pieces).
 ⑤ Required if no electric heat is used.

See Heater Tables on Pages AH-13-14



2/4TEE3D

- Air Handler is equipped with integrated **AccuClean™** Whole Home air cleaning technology
- Removes up to 99% of airborne allergens from filtered air
- Ships vertical - converts to horizontal by laying on side
- Six- way convertibility-horizontal left & right, front & rear access; upflow, downflow
- Electrical, refrigerant, condensate and

Variable Speed Convertible Air Handlers with Whole Home Air Cleaner 2½-5 Tons

- blower access convertible to either side
- Compact 21" depth for easy installation
- Variable speed serial ECM motor
- Direct drive blower
- **Comfort-R™** enhanced dehumidification start-up
- Soft start - ON cycle fan speed is increased gradually to reduce sound and drafts
- 1" thick foil faced insulation cabinet
- Corrosion resistant galvanized metal with attractive finish
- Versatile duct flange - allows flush fit ¾", 1", or 1.5" duct insulation
- Easy **Air-Tite™** access to coil
- Exclusive duct flange thermal break/seal
- Non-Bleed Thermal Expansion valve
- Check valve for heat pump application
- Internally enhanced finned coil tubing
- External brazed refrigerant connections
- Filter panel stamped with word "filter"
- Filter panel with door seal
- 200/230 volt primary & 24 volt secondary transformer
- Low voltage terminal board

- Uses 1400 series heaters
- Access to heater circuit breakers/pull disconnects
- Polarized plugs for making motor and transformer electrical connections from air handler control box to electric heaters
- Primary and secondary drain connections
- Built-in indoor fan delay function for increased efficiency
- Approved for manufactured/mobile and modular housing
- 2/4TEE3D31 airflow selectable for 1-1/2 — 3 ton O.D. unit
- 2/4TEE3D37 airflow selectable for 2 — 3-1/2 ton O.D. unit
- 2/4TEE3D40 airflow selectable for 2 — 4 ton O.D. unit
- 2/4TEE3D49 airflow selectable for 3 — 5 ton O.D. unit
- 2/4TEE3D65 airflow selectable for 3-1/2 — 5 ton O.D. unit
- Energy savings continuous fan
- Enhanced cooling/heating control
- **Optional extended warranties**

Table AH-4-A — Variable Speed R-22 Air-Tite™ with Comfort-R™ Enhanced Mode Option 200-230/1/60

Unit Model No.	Cooling Capacity (Btuh)	Metering Device	Fan Speed	Dimensions (in.) H x W x D	Shipping Weight (lbs.)	Supply Opening ^{①②}	Return Opening ^①	Filter Sizes	Line Size Gas	Line Size Liquid
2TEE3D31A1000A	31,000	TXV-NB	Variable	43x21.5x21	134	19.22x12.02 or 18.22x11.02	19.5x18.07	20x20x1	¾	5/16
2TEE3D37A1000A	37,000	TXV-NB	Variable	45x23.5x21	142	21.22x12.02 or 20.22x11.02	21.5x18.07	20x20x1	7/8	3/8
2TEE3D40A1000A	40,000	TXV-NB	Variable	51.8x26x21	174	23.72x12.02 or 22.72x11.02	24x18.07	20x25x1	7/8	3/8
2TEE3D49A1000A	49,000	TXV-NB	Variable	57.9x26x21	188	23.72x12.02 or 22.72x11.02	24x18.07	20x25x1	1 1/8	3/8
2TEE3D65A1000A ^③	65,000	TXV-NB	Variable	62.8x26x21	218	23.72x12.02 or 22.72x11.02	24x18.07	20x25x1	1 1/8	3/8

Table AH-4-B — Variable Speed R-410A Air-Tite™ with Comfort-R™ Enhanced Mode Option 200-230/1/60

Unit Model No.	Cooling Capacity (Btuh)	Metering Device	Fan Speed	Dimensions (in.) H x W x D	Shipping Weight (lbs.)	Supply Opening ^{①②}	Return Opening ^①	Filter Sizes	Line Size Gas	Line Size Liquid
4TEE3D31A1000A	31,000	TXV-NB	Variable	43x21.5x21	134	19.22x12.02 or 18.22x11.02	19.5x18.07	20x20x1	¾	5/16
4TEE3D37A1000A	37,000	TXV-NB	Variable	45x23.5x21	142	21.22x12.02 or 20.22x11.02	21.5x18.07	20x20x1	¾	3/8
4TEE3D40A1000A	40,000	TXV-NB	Variable	51.8x26x21	174	23.72x12.02 or 22.72x11.02	24x18.07	20x25x1	¾	3/8
4TEE3D49A1000A	49,000	TXV-NB	Variable	57.9x26x21	188	23.72x12.02 or 22.72x11.02	24x18.07	20x25x1	7/8	3/8
4TEE3D65A1000A ^③	65,000	TXV-NB	Variable	62.8x26x21	218	23.72x12.02 or 22.72x11.02	24x18.07	20x25x1	7/8	3/8

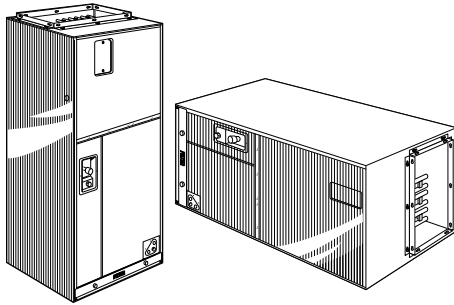
Table AH-4-C — Accessories

Model Number	Description	Used With
AY28X079	Evaporator Defrost Control	All Cooling Models
AY28X084	Evaporator Defrost Control	All Heat Pump Models
BAY99X123 ^④	Knockout Cover Plate ^⑤	2/4TEE3D31A-65A
BAYSPEK140B	Single Power Entry Kit	BAYHTR1415BRKB,C, 1419BRKB,C
TAYBASE100	Downflow Subbase	2/4TEE3D37A
TAYBASE101	Downflow Subbase	2/4TEE3D31A
TAYBASE102	Downflow Subbase	2/4TEE3D40A,49A,65A
TAYPLNM120 ^⑥	Pedestal Plenum Upflow	2/4TEE3D31A-65A
TASB215 ^⑦	21.5" Cabinet Mounting Stand	2/4TEE3D31A
TASB235 ^⑦	23.5" Cabinet Mounting Stand	2/4TEE3D37A
TASB215 ^⑦	26" Cabinet Mounting Stand	2/4TEE3D40A,49A,65A

① Actual opening does not include flange.
 ② Adjustable duct flange allows for a flush fit with 1½ inch insulation or ¾ inch or 1 inch insulation.
 ③ TAYPLNM120 or TASB stand is required for upflow air handler with open air return.
 ④ Minimum order 1 unit (1 unit = 50 pieces).
 ⑤ Two piece cabinet.
 ⑥ Required if no electric heat is used.

See Heater Tables on Pages AH-13-14

Variable Speed Convertible Air-Tite™ Air Handlers 2½-5 Tons



2TEE3F

- Ships for vertical upflow and horizontal right applications from factory
- Superior humidity performance
- Meets or exceeds Florida's 2% leakage criteria
- Six-way convertibility-horizontal left & right, front & rear access; upflow, downflow
- Electrical knock-outs on top and left side
- Compact 21" depth for easy installation
- Variable speed direct drive ECM motor

- 3.5, 4, and 5 ton models available in 26" widths or with **Vortica™** in 23.5" widths
- Direct drive blower
- **Comfort-R™** enhanced dehumidification start-up
- Soft start - On cycle fan speed is increased gradually to reduce sound and drafts
- 1" thick foil face insulated cabinet
- Corrosion resistant galvanized metal with attractive finish
- Versatile duct flange-allows flush fit ¾", 1" or 1.5" duct insulation
- Exclusive duct flange thermal break/seal
- Expansion valve refrigerant control
- Check valve for heat pump application
- Easy **Air-Tite™** access to filter
- Internally enhanced finned coil tubing
- External brazed refrigerant connections
- Filter rack with standard size filter
- Filter panel stamped with word "filter"
- Filter panel with door seal
- 200/230 volt primary & 24 volt secondary transformer
- Low voltage terminal board
- Uses 1400 series heaters

- Access to heater circuit breakers/pull disconnects
- Polarized plugs for making motor and transformer electrical connections from air handler control box to electric heaters
- Primary and secondary drain connections
- Built-in indoor fan delay function for increased efficiency
- Approved for manufactured/mobile and modular housing
- 2TEE3F31A airflow selectable for 1-1/2 — 3 ton O.D. unit
- 2TEE3F37A, 39A, 40A airflow selectable for 2 — 4 ton O.D. unit
- 2TEE3F48A, 49A airflow selectable for 3 — 5 ton O.D. unit
- 2TEE3F62A airflow selectable for 2-1/2 ton (2) O.D. units
- 2TEE3F64A, 65A airflow selectable for 4 — 5 ton O.D. unit
- Energy savings continuous fan
- Enhanced cooling/heating control
- **5-year limited parts residential warranty**
- **1-year limited parts commercial warranty**
- **Optional extended warranties**

Table AH-5-A — Variable Speed R-22 Air-Tite™ with Comfort-R™ Enhanced Mode Option 200-230/1/60

Unit Model No.	Cooling Capacity (Btuh)	Metering Device	Fan Speed	Dimensions (in.) H x W x D	Shipping Weight (lbs.)	Supply Opening ^{①②}	Return Opening ^①	Filter Sizes	Line Size Gas Liquid
2TEE3F31A1000A	31,000	TXV-NB	Variable	43x21.5x21	134	19.22x12.02 or 18.22x11.02	19.5x18.07	20x20x1	¾ 5/16
2TEE3F37A1000A	37,000	TXV-NB	Variable	45x23.5x21	142	21.22x12.02 or 20.22x11.02	21.5x18.07	20x20x1	7/8 3/8
2TEE3F40A1000A	40,000	TXV-NB	Variable	51.8x26x21	174	23.72x12.02 or 22.72x11.02	24x18.07	20x25x1	7/8 3/8
2TEE3F49A1000A	49,000	TXV-NB	Variable	57.9x26x21	188	23.72x12.02 or 22.72x11.02	24x18.07	20x25x1	1 1/8 3/8
2TEE3F65A1000A ^③	65,000	TXV-NB	Variable	62.8x26x21	218	23.72x12.02 or 22.72x11.02	24x18.07	20x25x1	1 1/8 3/8

Table AH-5-B — Dual Circuit-Variable Speed R-22 Air-Tite™ with Comfort-R™ Enhanced Mode Option 200-230/1/60

Unit Model No.	Cooling Capacity (Btuh)	Metering Device	Fan Speed	Dimensions (in.) H x W x D	Shipping Weight (lbs.)	Supply Opening ^{①②}	Return Opening ^①	Filter Sizes	Line Size Gas Liquid
2TEE3F62A1000A ^③	65,000	TXV-NB(2)	Variable	62.75x26x21	218	23.72x12.02 or 22.72x11.02	24x18.22	20x25x1	¾ 3/8

Table AH-5-C — Variable Speed - with Vortica™ R-22 Air-Tite™ with Comfort-R™ Enhanced Mode Option 200-230/1/60

Unit Model No.	Cooling Capacity (Btuh)	Metering Device	Fan Speed	Dimensions (in.) H x W x D	Shipping Weight (lbs.)	Supply Opening ^{①②}	Return Opening ^①	Filter Sizes	Line Size Gas Liquid
2TEE3F39A1000A ^③	39,000	TXV-NB	Variable	57.9x23.5x21	160	21.22x12.02 or 20.22x11.02	21.5x18.07	20x20x1	7/8 3/8
2TEE3F48A1000A ^③	48,000	TXV-NB	Variable	57.9x23.5x21	170	21.22x12.02 or 20.22x11.02	21.5x18.07	20x20x1	1 1/8 3/8
2TEE3F64A1000A ^③	64,000	TXV-NB	Variable	57.9x23.5x21	170	21.22x12.02 or 20.22x11.02	21.5x18.07	20x22x1	1 1/8 3/8

Table AH-5-D — Accessories

Model Number	Description	Used With
AY28X079	Evaporator Defrost Control	All Cooling Models
AY28X084	Evaporator Defrost Control	All Heat Pump Models
BAY99X123 ^④	Knockout Cover Plate ^⑤	2TEE3F31A-65A
BAYSPEK140B	Single Power Entry Kit	BAYHTR1415BRKB,C, 1419BRKB,C
TAYBASE100	Downflow Subbase	2TEE3F37A,39A,48A,64A
TAYBASE101	Downflow Subbase	2TEE3F31A
TAYBASE102	Downflow Subbase	2TEE3F40A,49A,62A,65A
TAYPLNM100 ^③	Pedestal Plenum Upflow	2TEE3F31A-65A
TAYPLNM101	Pedestal Plenum Upflow	2TEE3F40A-65A
TAYPLNM120	Pedestal Plenum Upflow	2TEE3F31A-65A
TASB215	21.5" Cabinet Mounting Stand	2TEE3F31A
TASB235	23.5" Cabinet Mounting Stand	2TEE3F37A,39A,48A,64A
TASB215	26" Cabinet Mounting Stand	2TEE3F40A,49A,65A

① Actual opening does not include flange.

② Adjustable duct flange allows for a flush fit with 1½ inch insulation or ¾ inch or 1 inch insulation.

③ 2TEE3F31B-center on plenum for 2" difference in width.

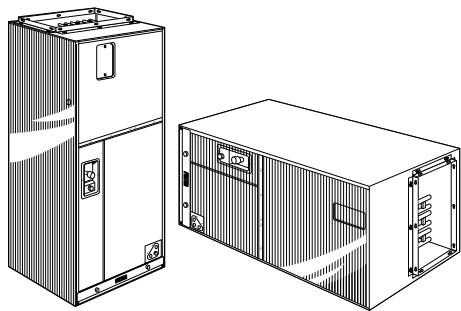
④ Minimum order 1 unit (1 unit = 50 pieces).

⑤ Two piece cabinet.

⑥ Required if no electric heat is used.

See Heater Tables on Pages AH-13-14

Variable Speed Convertible Air-Tite™ Air Handlers 2½-5 Tons



4TEE3F

- Ships for vertical upflow and horizontal right applications from factory
- Superior humidity performance
- Meets or exceeds Florida's 2% leakage criteria
- Six-way convertibility-horizontal left & right, front & rear access; upflow, downflow
- Electrical knock-outs on top and left side
- Compact 21" depth for easy installation
- Variable speed direct drive ECM motor

- 3.5, 4, and 5 ton models available in 26" widths or with **Vortica™** in 23.5" widths
- Direct drive blower
- **Comfort-R™** enhanced dehumidification start-up
- Soft start - On cycle fan speed is increased gradually to reduce sound and drafts
- 1" thick foil face insulated cabinet
- Corrosion resistant galvanized metal with attractive finish
- Versatile duct flange-allows flush fit ¾", 1" or 1.5" duct insulation
- Exclusive duct flange thermal break/seal
- Expansion valve refrigerant control
- Check valve for heat pump application
- Easy **Air-Tite™** access to filter
- Internally enhanced finned coil tubing
- External brazed refrigerant connections
- Filter rack with standard size filter
- Filter panel stamped with word "filter"
- Filter panel with door seal
- 200/230 volt primary & 24 volt secondary transformer
- Low voltage terminal board
- Uses 1400 series heaters
- Access to heater circuit breakers/pull disconnects
- Polarized plugs for making motor and transformer electrical connections from air handler control box to electric heaters
- Primary and secondary drain connections
- Built-in indoor fan delay function for increased efficiency
- Approved for manufactured/mobile and modular housing
- 4TEE3F31B airflow selectable for 1-1/2 — 3 ton O.D. unit
- 4TEE3F37B, 39A, 40B airflow selectable for 2 — 4 ton O.D. unit
- 4TEE3F48A, 49B airflow selectable for 3 — 5 ton O.D. unit
- 4TEE3F62B airflow selectable for 1-1/2 — 2-1/2 ton (2) O.D. units
- 4TEE3F64A, 65B airflow selectable for 4 — 5 ton O.D. unit
- Energy savings continuous fan
- Enhanced cooling/heating control
- **5-year limited parts residential warranty**
- **1-year limited parts commercial warranty**
- **Optional extended warranties**

Table AH-6-A — Variable Speed R-410A Air-Tite™ with Comfort-R™ Enhanced Mode Option 200-230/1/60

Unit Model No.	Cooling Capacity (Btuh)	Metering Device	Fan Speed	Dimensions (in.) H x W x D	Shipping Weight (lbs.)	Supply Opening ①②	Return Opening ①	Filter Sizes	Line Size Gas	Line Size Liquid
4TEE3F31B1000A	31,000	TXV-NB	Variable	43x21.5x21	134	19.22x12.02 or 18.22x 11.02	19.5x18.07	20x20x1	¾	5/16
4TEE3F37B1000A	37,000	TXV-NB	Variable	45x23.5x21	142	21.22x12.02 or 20.22x11.02	21.5x18.07	20x20x1	¾	3/8
4TEE3F40B1000A	40,000	TXV-NB	Variable	51.8x26x21	174	23.72x12.02 or 22.72x11.02	24x18.07	20x25x1	¾	3/8
4TEE3F49B1000A	49,000	TXV-NB	Variable	57.9x26x21	188	23.72x12.02 or 22.72x11.02	24x18.07	20x25x1	7/8	3/8
4TEE3F65B1000A③	65,000	TXV-NB	Variable	62.8x26x21	218	23.72x12.02 or 22.72x11.02	24x18.07	20x25x1	7/8	3/8

Table AH-6-B — Dual Circuit-Variable Speed R-410A Air-Tite™ with Comfort-R™ Enhanced Mode Option 200-230/1/60

Unit Model No.	Cooling Capacity (Btuh)	Metering Device	Fan Speed	Dimensions (in.) H x W x D	Shipping Weight (lbs.)	Supply Opening ①②	Return Opening ①	Filter Sizes	Line Size Gas	Line Size Liquid
4TEE3F62B1000A③	65,000	TXV-NB(2)	Variable	62.75x26x21	218	23.72x12.02 or 22.72x11.02	24x18.22	20x25x1	¾	3/8

Table AH-6-C — Variable Speed - with Vortica™ R-410A Air-Tite™ with Comfort-R™ Enhanced Mode Option 200-230/1/60

Unit Model No.	Cooling Capacity (Btuh)	Metering Device	Fan Speed	Dimensions (in.) H x W x D	Shipping Weight (lbs.)	Supply Opening ①②	Return Opening ①	Filter Sizes	Line Size Gas	Line Size Liquid
4TEE3F39A1000A③	39,000	TXV-NB	Variable	57.9x23.5x21	160	21.22x12.02 or 20.22x11.02	21.5x18.07	20x20x1	¾	3/8
4TEE3F48A1000A③	48,000	TXV-NB	Variable	57.9x23.5x21	170	21.22x12.02 or 20.22x11.02	21.5x18.07	20x20x1	7/8	3/8
4TEE3F64A1000A③	64,000	TXV-NB	Variable	57.9x23.5x21	170	21.22x12.02 or 20.22x11.02	21.5x18.07	20x22x1	7/8	3/8

Table AH-6-D — Accessories

Model Number	Description	Used With
AY28X079	Evaporator Defrost Control	All Cooling Models
AY28X084	Evaporator Defrost Control	All Heat Pump Models
BAY99X123④	Knockout Cover Plate⑤	4TEE3F31B-65B
BAYSPEK140B	Single Power Entry Kit	BAYHTR1415BRKB,C, 1419BRKB,C
TAYBASE100	Downflow Subbase	4TEE3F37B,39A,48A,64A
TAYBASE101	Downflow Subbase	4TEE3F31B
TAYBASE102	Downflow Subbase	4TEE3F40B,49B,62B,65B
TAYPLNM100③	Pedestal Plenum Upflow	4TEE3F31B-65B
TAYPLNM101	Pedestal Plenum Upflow	4TEE3F40B-65B
TAYPLNM120	Pedestal Plenum Upflow	4TEE3F31-65B,39A,48A,64A
TASB215	21.5" Cabinet Mounting Stand	4TEE3F31B
TASB235	23.5" Cabinet Mounting Stand	4TEE3F37B,39A,48A,64A
TASB215	26" Cabinet Mounting Stand	4TEE3F40B,49B,65B

① Actual opening does not include flange.

② Adjustable duct flange allows for a flush fit with 1½ inch insulation or ¾ inch or 1 inch insulation.

③ 4TEE3F31B-center on plenum for 2" difference in width.

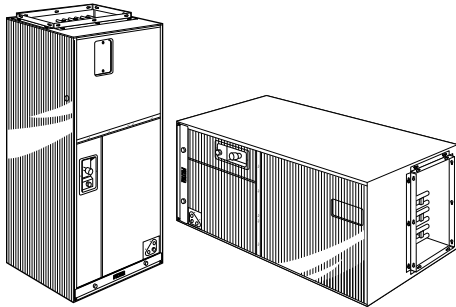
④ Minimum order 1 unit (1 unit = 50 pieces).

⑤ Two piece cabinet.

⑥ Required if no electric heat is used.

See Heater Tables on Pages AH-13-14

Split System Air Handlers Single Phase 1½-5 Tons



2/4TEH

- Ships vertical-converts to horizontal by laying on side
- Meets or exceeds Florida's 2% leakage criteria
- High efficiency direct drive multi-speed ECM motor
- All models feature **Vortica™**
- Six- way convertibility-horizontal (left & right) upflow, downflow
- 13 SEER plus
- Easy **Air-Tite™** access to filter
- Superior condensate performance
- Electrical knock-outs on either side
- Factory installed non-bleed TXV with mechanical fittings
- Compact 21" depth for easy installation
- Corrosion resistant galvanized metal with attractive finish
- Enhanced internally finned coil tubes
- Versatile duct flange - allows flush fit 3/4", 1", or 1.5" duct insulation
- Filter panel stamped with word "filter"
- Filter panel with door seal
- 200/230 volt primary & 24 volt secondary transformer
- Low voltage wire nut connections
- Insulated cabinet
- External access to heater circuit breakers
- Polarized plugs for making electrical connections from air handler control box to heaters
- Approved for manufactured/mobile and modular housing
- Uses 1300 series heaters
- **5-year limited parts residential warranty**
- **1-year limited parts commercial warranty**
- **Optional extended warranties**

Table AH-7-A — R-22 Horizontal with vertical convertibility (200-230/1/60)

Unit Model No.	Cooling Capacity (Btuh)	Metering Device	Fan Speed	Dimensions (in.) H x W x D	Shipping Weight (lbs.)	Supply Opening ^{①②}	Return Opening ^①	Filter Sizes	Line Size Gas	Line Size Liquid
2TEH3F18B1000A	18,000	TXV-NB	4	43x21.5x 21	114	19.22x12.02 or 18.22x11.02	19.5x18.07	20x20x1	5/8	1/4
2TEH3F24B1000A	24,000	TXV-NB	4	43x21.5x21	121	19.22x12.02 or 18.22x11.02	19.5x18.07	20x20x1	3/4	5/16
2TEH3F30B1000A	30,000	TXV-NB	4	45x21.5x21	121	19.22x12.02 or 18.22x11.02	19.5x18.07	20x20x1	3/4	5/16
2TEH3F36B1000A	36,000	TXV-NB	4	45x21.5x21	135	19.22x12.02 or 18.22x11.02	19.5x18.07	20x20x1	7/8	3/8
2TEH3F42B1000A	42,000	TXV-NB	4	51.8x23.5x21	165	21.22x12.02 or 20.22x11.02	21.5x18.07	20x20x1	7/8	3/8
2TEH3F48B1000A ^③	48,000	TXV-NB	4	57.9x23.5x21	188	21.22x12.02 or 20.22x11.02	21.5x18.07	20x20x1	1 1/8	3/8
2TEH3F60B1000A ^③	60,000	TXV-NB	4	57.9x23.5x21	193	21.22x12.02 or 20.22x11.02	21.5x18.07	20x22x1	1 1/8	3/8

Table AH-7-B — R-410A Horizontal with vertical convertibility (200-230/1/60)

Unit Model No.	Cooling Capacity (Btuh)	Metering Device	Fan Speed	Dimensions (in.) H x W x D	Shipping Weight (lbs.)	Supply Opening ^{①②}	Return Opening ^①	Filter Sizes	Line Size Gas	Line Size Liquid
4TEH3F18B1000A	18,000	TXV-NB	4	43x21.5x 21	114	19.22x12.02 or 18.22x11.02	19.5x18.07	20x20x1	5/8	1/4
4TEH3F24B1000A	24,000	TXV-NB	4	43x21.5x21	121	19.22x12.02 or 18.22x11.02	19.5x18.07	20x20x1	3/4	5/16
4TEH3F30B1000A	30,000	TXV-NB	4	45x21.5x21	121	19.22x12.02 or 18.22x11.02	19.5x18.07	20x20x1	3/4	5/16
4TEH3F36B1000A	36,000	TXV-NB	4	45x21.5x21	135	19.22x12.02 or 18.22x11.02	19.5x18.07	20x20x1	7/8	3/8
4TEH3F42B1000A	42,000	TXV-NB	4	51.8x23.5x21	165	21.22x12.02 or 20.22x11.02	21.5x18.07	20x20x1	7/8	3/8
4TEH3F48B1000A ^③	48,000	TXV-NB	4	57.9x23.5x21	188	21.22x12.02 or 20.22x11.02	21.5x18.07	20x20x1	7/8	3/8
4TEH3F60B1000A ^③	60,000	TXV-NB	4	57.9x23.5x21	193	21.22x12.02 or 20.22x11.02	21.5x18.07	20x22x1	7/8	3/8

Table AH-7-C — Accessories

Model Number	Description	Used With
AY28X079	Evaporator Defrost Control	All Cooling Models
AY28X084	Evaporator Defrost Control	All Heat Pump Models
BAYSPEK140B	Single Power Entry Kit	BAYHTR1315BRKA/1315BRKB BAYHTR1319BRKA/1319BRKB
TAYPLNM100 ^④	Pedestal Plenum Upflow	2/4TEH3F18-60B
TAYBASE101	Downflow Subbase	2/4TEH3F18-36B
TAYBASE100	Downflow Subbase	2/4TEH3F42-60B
TAYPLNM120	Pedestal Plenum Upflow	2/4TEH3F18-60B
TASB215	21.5" Cabinet Mounting Stand	2/4TEH3F18-36B
TASB235	23.5" Cabinet Mounting Stand	2/4TEH3F42-60B

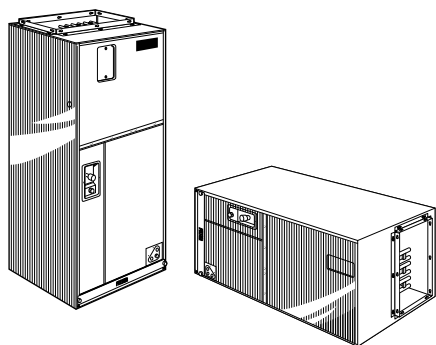
① Actual opening does not include flange.
 ② Adjustable duct flange allows for a flush fit with 1½ inch insulation or ¾ inch or 1 inch insulation.
 ③ For 2/4TEH018,024,030, center on plenum for 2" difference in width.
 ④ Two piece cabinet.

BAYHTR1300 ONLY

See Heater Tables on Pages AH-11-12

Split System Air Handlers

Single Phase 1½-5 Tons



2/4TEC

- Easy **Air-Tite™** access to filter
- Superior condensate performance
- Factory installed non-bleed TXV with mechanical fittings
- Ships in a vertical position-convertible for left hand horizontal applications
- Meets or exceeds Florida's 2% leakage criteria
- Six- way convertibility-horizontal (left & right); front & rear access; upflow, downflow
- 13.0 SEER
- Compact 21" depth for easy installation
- Corrosion resistant galvanized metal with attractive finish
- Enhanced internally finned coil tubes
- Direct drive ECM motor
- Versatile duct flange - allows flush fit ¾", 1", or 1.5" duct insulation
- Filter panel stamped with word "filter"
- Filter panel with door seal
- 200/230 volt primary & 24 volt secondary transformer
- Low voltage wire nut connections
- Insulated cabinet
- External access to heater circuit breakers
- Polarized plugs for making electrical connections from air handler control box to heaters
- Approved for manufactured/mobile and modular housing
- High efficiency direct drive ECM motor on five (5) ton model only
- Uses 1400 series heaters
- **5-year limited parts residential warranty**
- **1-year limited parts commercial warranty**
- **Optional extended warranties**

Table AH-8-A — R-22 Horizontal with vertical convertibility (200-230/1/60)

Unit Model No.	Cooling Capacity (Btuh)	Metering Device	Fan Speed	Dimensions (in.) H x W x D	Shipping Weight (lbs.)	Supply Opening①②	Return Opening①	Filter Sizes	Line Size Gas	Line Size Liquid
2TEC3F18B1000A	18,000	TXV-NB	3	43x21.5x21	114	19.22x12.02 or 18.22x11.02	19.5x18.07	20x20x1	5/8	1/4
2TEC3F24B1000A	24,000	TXV-NB	3	43x21.5x21	121	19.22x12.02 or 18.22x11.02	19.5x18.07	20x20x1	3/4	5/16
2TEC3F30B1000A	30,000	TXV-NB	3	45x21.5x21	121	19.22x12.02 or 18.22x11.02	19.5x18.07	20x20x1	3/4	5/16
2TEC3F36B1000A	36,000	TXV-NB	3	45x21.5x21	135	19.22x12.02 or 18.22x11.02	19.5x18.07	20x20x1	7/8	3/8
2TEC3F42C1000A	42,000	TXV-NB	4	51.8x23.5x21	165	21.22x12.02 or 20.22x11.02	21.5x18.07	20x20x1	7/8	3/8
2TEC3F48B1000A③	48,000	TXV-NB	3	57.9x23.5x21	188	21.22x12.02 or 20.22x11.02	21.5x18.07	20x20x1	1 1/8	3/8
2TEC3F55B1000A	58,000	TXV-NB	3	57.9x26x21	193	23.72x12.02 or 22.72x11.02	24x18.07	20x25x1	1 1/8	3/8
2TEC3F60B1000A③	60,000	TXV-NB	4	57.9x23.5x21	193	21.22x12.02 or 20.22x11.02	21.5x18.07	20x22x1	1 1/8	3/8

Table AH-8-B — R-410A Horizontal with vertical convertibility (200-230/1/60)

Unit Model No.	Cooling Capacity (Btuh)	Metering Device	Fan Speed	Dimensions (in.) H x W x D	Shipping Weight (lbs.)	Supply Opening①②	Return Opening①	Filter Sizes	Line Size Gas	Line Size Liquid
4TEC3F18B1000A	18,000	TXV-NB	3	43x21.5x21	114	19.22x12.02 or 18.22x11.02	19.5x18.07	20x20x1	1/2	1/4
4TEC3F24B1000A	24,000	TXV-NB	3	43x21.5x21	121	19.22x12.02 or 18.22x11.02	19.5x18.07	20x20x1	5/8	5/16
4TEC3F30B1000A	30,000	TXV-NB	3	45x21.5x21	121	19.22x12.02 or 18.22x11.02	19.5x18.07	20x20x1	3/4	5/16
4TEC3F36B1000A	36,000	TXV-NB	3	45x21.5x21	135	19.22x12.02 or 18.22x11.02	19.5x18.07	20x20x1	3/4	3/8
4TEC3F42C1000A	42,000	TXV-NB	4	51.8x23.5x21	165	21.22x12.02 or 20.22x11.02	21.5x18.07	20x20x1	3/4	3/8
4TEC3F48B1000A③	48,000	TXV-NB	3	57.9x23.5x21	188	21.22x12.02 or 20.22x11.02	21.5x18.07	20x20x1	7/8	3/8
4TEC3F55B1000A	58,000	TXV-NB	3	57.9x26x21	193	23.72x12.02 or 22.72x11.02	24x18.07	20x25x1	7/8	3/8
4TEC3F60B1000A③	60,000	TXV-NB	4	57.9x23.5x21	193	21.22x12.02 or 20.22x11.02	21.5x18.07	20x22x1	7/8	3/8

Table AH-8-C — Accessories

Model Number	Description	Used With
AY28X079	Evaporator Defrost Control	All Cooling Models
AY28X084	Evaporator Defrost Control	All Heat Pump Models
BAYSPEK140B	Single Power Entry Kit	BAYHTR1415BRKB,C BAYHTR1419BRKB,C
TAYPLNM100③	Pedestal Plenum Upflow	2/4TEC3F18-60B
TAYPLNM101	Pedestal Plenum Upflow	2/4TEC3F55B
TAYBASE101	Downflow Subbase	2/4TEC3F18-36B
TAYBASE100	Downflow Subbase	2/4TEC3F42-60B
TAYBASE102	Downflow Subbase	2/4TEC3F55B
BAY99X123	Knockout Cover Plate	2/4TEC3F18-60B
TAYPLNM120	Pedestal Plenum Upflow	2/4TEC3F18-60B
TASB215	21.5" Cabinet Mounting Stand	2/4TEC3F18-36B
TASB235	23.5" Cabinet Mounting Stand	2/4TEC3F42,48,60B
TASB215	26" Cabinet Mounting Stand	2/4TEC3F55B

① Actual opening does not include flange.

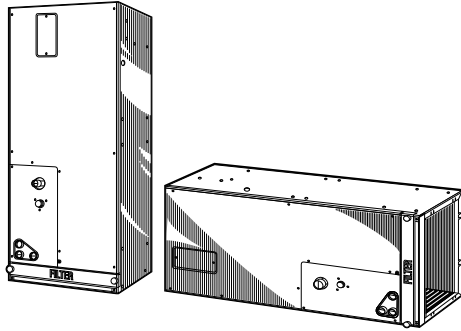
② Adjustable duct flange allows for a flush fit with 1½ inch insulation or ¾ inch or 1 inch insulation.

③ For 2/4TEC018,024,030, center on plenum for 2" difference in width.

④ Two piece cabinet with Vortica.

See Heater Tables on Pages AH-13-14

Split System Air Handlers Single Phase 1½-4 Tons



2TGB

- Exclusive easy to clean coil and drain pan
- Convertible upflow to horizontal left (no tools required) (matches installed units)
- Designed to use “off the shelf” standard size replaceable fiberglass filters - Industry Exclusive
- Easy to remove filters and blowers for easy cleaning and replacement
- Expanded application fit with narrow cabinet profile
- Easy access electrical controls and hook-up
- Attractive enamel finish
- R 4.2 - 1" insulation
- Versatile duct flange - allows flush fit with ¾", 1" or 1.5" duct insulation
- **Air-Tite™** cabinet - low leak by design
- IAQ (Indoor Air Quality) sloped/free draining pan (no standing water)
- Durable, glass-filled composite - never rust, no leak drain pan
- Maximum depth 21" - fits pull-down staircase
- Exclusive maximum width 23.5" - fits 2-ft. wide door all sizes
- Full line 1½ - 4 tons
- Direct drive motor
- Filter panel stamped with word “filter”
- Filter panel with door seal
- Expansion valve (non-bleed TXV) with mechanical fitting standard on all models
- Polarized plugs for easy hook-up to electric heaters
- Meets or exceeds Florida’s 2% leakage criteria
- 200/230 volt primary and 24 volt secondary transformer
- Electric heaters with breaker option on all sizes
- Approved for manufactured/mobile and modular housing
- Uses 1400 series heaters
- **5-year limited parts residential warranty**
- **1-year limited parts commercial warranty**
- **Optional extended warranties**

Table AH-9-A — Vertical Upflow and Horizontal Left (200-230/1/60)

Unit Model No.	Cooling Capacity (Btuh)	Metering Device	Fan Speed	Dimensions (in.) H x W x D	Shipping Weight (lbs.)	Supply Opening ^{①②}	Return Opening ^①	Filter Sizes	Line Size Gas Liquid
2TGB3F18A1000A	18,000	TXV-NB	3	45.7x18x21	124	16x12.12 or 15x11.12	16x18.22	16x20x1	5/8 1/4
2TGB3F25A1000A	24,000	TXV-NB	3	45.7x18x21	124	16x12.12 or 15x11.12	16x18.22	16x20x1	3/4 5/16
2TGB3F30A1000A	30,000	TXV-NB	3	52x18x21	135	16x12.12 or 15x11.12	16x18.22	16x20x1	3/4 5/16
2TGB3F36A1000A	36,000	TXV-NB	3	52x18x21	135	16x12.12 or 15x11.12	16x18.22	16x20x1	7/8 3/8
2TGB3F42A1000A	42,000	TXV-NB	3	48.3x23.5x21	147	21.5x12.12 or 20.5x11.12	21.5x18.22	20x20x1	7/8 3/8
2TGB3F48A1000A	48,000	TXV-NB	3	57.3x23.5x21	172	21.5x12.12 or 20.5x11.12	21.5x18.22	20x20x1	7/8 3/8

Table AH-9-B — Accessories

Model Number	Description	Used With
AY28X079	Evaporator Defrost Control	All Cooling Models
AY28X084	Evaporator Defrost Control	All Heat Pump Models
BAYSPEK140B	Single Power Entry Kit	BAYHTR1415BRKB,C, BAYHTR1419BRKB,C
BAY99X123	Knockout Cover Plate	2TGB3F18-48A
TAYPLNM100	Upflow Sub-base	2TGB3F18 ^③ ,25 ^③ ,30 ^③ ,42 and 48A
TAYPLNM120	Pedestal Plenum Upflow	2TGB3F18-48A
TASB235	23.5" Cabinet Mounting Stand	2TGB3F42-48A

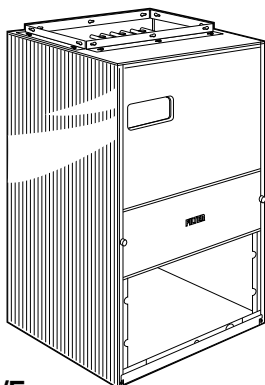
① Actual opening does not include flange.

② Adjustable duct flange allows for a flush fit with 1½ inch insulation or ¾ inch or 1 inch insulation.

③ With field-fabricated fillers.

See Heater Tables on Pages AH-13-14

Split System Air Handlers Single Phase 1½-3 Tons



2/4TFB/E

- Shipped in vertical upflow, bottom return with front access and convertible to vertical upflow front return
- Meets or exceeds Florida's 2% leakage criteria
- Variable speed direct drive ECM motor (2/4TFE Models)
- Enhanced **Comfort-R™** (2/4TFE Models)
- Soft start - fan speed is ramped up gradually to reduce sound and draft (2/4TFE Models)
- Low voltage terminal board (2/4TFE Models)
- **Air-Tite™** cabinet - low leakage by design
- Attractive enamel finish
- R 4.2-1" insulation
- Easy clean coil and drain pan
- Easy to remove filters and blowers for easy cleaning and replacement
- Heater kW is based on 240 volt rating
- Filter rack with throw away filter
- Filter panel stamped with word "filter"
- Filter panel with door seal
- Easy access electrical controls and hook-up
- 200/230 volt primary and 24 volt secondary transformer
- Multi-speed blower (2TFB Models)
- Direct drive motor
- Factory installed electric heaters
- Factory installed non-bleed TXV with mechanical fittings
- Factory installed service disconnect
- Internally enhanced finned coil tubing
- Primary and secondary drain connections
- Approved for manufactured/mobile and modular housing
- **5-year limited parts residential warranty**
- **Optional extended warranties**

Table AH-10-A — R-22 Vertical Upflow only (200-230/1/60)

Unit Model No.	Cooling Capacity (Btuh)	Metering Device	Fan Speed	Dimensions (in.) H x W x D	Shipping Weight (lbs.)	Supply Opening ^{①②}	Return Opening ^①	Filter Sizes	Line Size Gas	Line Size Liquid
2TFB3F18B1D05A	18,000	TXV-NB	2	37x22x19.4	115	14x10.12	17.22x20	18x20x1	5/8	1/4
2TFB3F18B1D08A	18,000	TXV-NB	2	37x22x19.4	115	14x10.12	17.22x20	18x20x1	5/8	1/4
2TFB3F18B1D10A	18,000	TXV-NB	2	37x22x19.4	115	14x10.12	17.22x20	18x20x1	5/8	1/4
2TFB3F24B1D05A	24,000	TXV-NB	2	39x22x19.4	120	14x10.12	17.22x20	18x20x1	3/4	5/16
2TFB3F24B1D08A	24,000	TXV-NB	2	39x22x19.4	120	14x10.12	17.22x20	18x20x1	3/4	5/16
2TFB3F24B1D10A	24,000	TXV-NB	2	39x22x19.4	120	14x10.12	17.22x20	18x20x1	3/4	5/16
2TFB3F30B1D05A	30,000	TXV-NB	2	39x22x19.4	120	14x10.12	17.22x20	18x20x1	3/4	5/16
2TFB3F30B1D08A	30,000	TXV-NB	2	39x22x19.4	120	14x10.12	17.22x20	18x20x1	3/4	5/16
2TFB3F30B1D10A	30,000	TXV-NB	2	39x22x19.4	120	14x10.12	17.22x20	18x20x1	3/4	5/16
2TFB3F36B1D05A	36,000	TXV-NB	2	39x22x19.4	120	14x10.12	17.22x20	18x20x1	7/8	3/8
2TFB3F36B1D08A	36,000	TXV-NB	2	39x22x19.4	120	14x10.12	17.22x20	18x20x1	7/8	3/8
2TFB3F36B1D10A	36,000	TXV-NB	2	39x22x19.4	120	14x10.12	17.22x20	18x20x1	7/8	3/8

Table AH-10-B — R-22 Variable Speed (200-230/1/60)

Unit Model No.	Cooling Capacity (Btuh)	Metering Device	Fan Speed	Dimensions (in.) H x W x D	Shipping Weight (lbs.)	Supply Opening ^{①②}	Return Opening ^①	Filter Sizes	Line Size Gas	Line Size Liquid
2TFE3F25B1D05A	25,000	TXV-NB	Var	39x22x19.4	120	14x10.12	17.22x20	18x20x1	3/4	5/16
2TFE3F25B1D08A	25,000	TXV-NB	Var	39x22x19.4	120	14x10.12	17.22x20	18x20x1	3/4	5/16
2TFE3F25B1D10A	25,000	TXV-NB	Var	39x22x19.4	120	14x10.12	17.22x20	18x20x1	3/4	5/16

Table AH-10-C — R-410A Variable Speed (200-230/1/60)

Unit Model No.	Cooling Capacity (Btuh)	Metering Device	Fan Speed	Dimensions (in.) H x W x D	Shipping Weight (lbs.)	Supply Opening ^{①②}	Return Opening ^①	Filter Sizes	Line Size Gas	Line Size Liquid
4TFE3F25B1D05A	25,000	TXV-NB	Var	39x22x19.4	120	14x10.12	17.22x20	18x20x1	5/8	1/4
4TFE3F25B1D08A	25,000	TXV-NB	Var	39x22x19.4	120	14x10.12	17.22x20	18x20x1	5/8	1/4
4TFE3F25B1D10A	25,000	TXV-NB	Var	39x22x19.4	120	14x10.12	17.22x20	18x20x1	5/8	1/4

Table AH-10-D — Accessories

Model Number	Description	Used With
AY28X079	Evaporator Defrost Control	All Cooling Models
AY28X084	Evaporator Defrost Control	All Heat Pump Models
TAYPLNM120	Pedestal Plenum Upflow	2TFB3F18-36B, 2/4TFE3F25B

① Actual opening does not include flange.

② Adjustable duct flange allows for a flush fit with 1½ inch insulation or ¾ inch or 1 inch insulation.

Heaters for Split System and Convertible Air Handlers

Table AH-11-A — Heaters for 2TEH only

Heater Model Number	Capacity @ 240 Volts		Capacity @ 208 Volts		Voltage	Control Stages	Heater Amps per Circuit		Contains Circuit Breakers
	kW	BTUH	kW	Rated BTUH			208 Volts	240Volt	
BAYHTR1305000	4.80	16,400	3.6	12,300	208/240/1/60	1	17.3	20	No
BAYHTR1305BRK	4.80	16,400	3.6	12,300	208/240/1/60	1	17.3	20	Yes
BAYHTR1305PDC	4.80	16,400	3.6	12,300	208/240/1/60	1	17.3	20	No
BAYHTR1308000	7.68	26,200	5.76	19,700	208/240/1/60	1	27.7	32	No
BAYHTR1308BRK	7.68	26,200	5.76	19,700	208/240/1/60	1	27.7	32	Yes
BAYHTR1308PDC	7.68	26,200	5.76	19,700	208/240/1/60	1	27.7	32	No
BAYHTR1310000	9.60	32,800	7.20	24,600	208/240/1/60	1	34.6	40	No
BAYHTR1310BRK	9.60	32,800	7.20	24,600	208/240/1/60	1	34.6	40	Yes
BAYHTR1310PDC	9.60	32,800	7.20	24,600	208/240/1/60	1	34.6	40	No
BAYHTR1315BRKB	15.36	52,400	11.53	39,300	208/240/1/60	2	27.7/27.7 ^{①②}	32/32 ^①	Yes
BAYHTR1319BRK	19.20	65,500	14.42	44,200	208/240/1/60	2	27.8/41.6 ^{①②}	32/48 ^①	Yes
Three Phase									
BAYHTR3310000	9.60	32,800	7.20	24,600	208/240/3/60	1	30	34.6	No
BAYHTR3315000	15.36	52,400	11.53	39,300	208/240/3/60	1	33	38.2	No

① Circuit 1/Circuit 2

② Heater can be converted to single circuit power entry by using BAYSPEK140B. This kit allows a single power circuit to be used with electric heaters that contain two (2) circuit breakers. (BAYHTR1315 and BAYHTR1319 only)

Heaters for Split System and Convertible Air Handlers

Table AH-12-A — Air Handler/Fan Speed Heater Matrix

Air Handler Model	Unit Position	Application	HEATER MODEL NUMBER BAYHTR					* = 1 or 3
			1305 4.80KW	1308 7.68KW	*310 9.60KW	*315 15.36KW	1319 19.20KW	
2/4TEH3F18B	Vertical	A/C or Elec. Furnace	L	ML	ML	—	—	
	Upflow	Heat Pump	MH	H	H	—	—	
	Vertical	A/C or Elec. Furnace	L	ML	ML	—	—	
	Downflow	Heat Pump	MH	H	H	—	—	
	Horizontal	A/C or Elec. Furnace	L	ML	ML	—	—	
	Left	Heat Pump	MH	H	H	—	—	
2/4TEH3F24B	Vertical	A/C or Elec. Furnace	L	L	ML	MH	—	
	Upflow	Heat Pump	ML	MH	H	H	—	
	Vertical	A/C or Elec. Furnace	L	L	ML	MH	—	
	Downflow	Heat Pump	ML	ML	H	H	—	
	Horizontal	A/C or Elec. Furnace	L	L	ML	MH	—	
	Left	Heat Pump	ML	MH	H	H	—	
2/4TEH3F30B	Vertical	A/C or Elec. Furnace	L	L	ML	MH	—	
	Upflow	Heat Pump	L	ML	H	H	—	
	Vertical	A/C or Elec. Furnace	L	L	ML	MH	—	
	Downflow	Heat Pump	L	ML	H	H	—	
	Horizontal	A/C or Elec. Furnace	L	L	ML	MH	—	
	Left	Heat Pump	L	ML	H	H	—	
2/4TEH3F36B	Vertical	A/C or Elec. Furnace	L	L	ML	ML	ML	
	Upflow	Heat Pump	L	ML	MH	H	H	
	Vertical	A/C or Elec. Furnace	L	L	ML	ML	ML	
	Downflow	Heat Pump	L	ML	H	H	H	
	Horizontal	A/C or Elec. Furnace	L	L	ML	ML	ML	
	Left	Heat Pump	L	ML	H	H	H	
2/4TEH3F42B	Vertical	A/C or Elec. Furnace	L	L	ML	ML	ML	
	Upflow	Heat Pump	L	ML	MH	H	H	
	Vertical	A/C or Elec. Furnace	L	L	ML	ML	ML	
	Downflow	Heat Pump	L	ML	MH	H	H	
	Horizontal	A/C or Elec. Furnace	L	L	ML	ML	ML	
	Left	Heat Pump	L	ML	MH	H	H	
2/4TEH3F48B	Vertical	A/C or Elec. Furnace	L	L	ML	ML	ML	
	Upflow	Heat Pump	L	ML	ML	H	H	
	Vertical	A/C or Elec. Furnace	L	L	ML	ML	ML	
	Downflow	Heat Pump	L	ML	ML	H	H	
	Horizontal	A/C or Elec. Furnace	L	L	ML	ML	ML	
	Left	Heat Pump	L	ML	ML	H	H	
2/4TEH3F60B	Vertical	A/C or Elec. Furnace	L	L	L	L	ML	
	Upflow	Heat Pump	L	ML	ML	MH	H	
	Vertical	A/C or Elec. Furnace	L	L	L	L	ML	
	Downflow	Heat Pump	L	ML	ML	MH	H	
	Horizontal	A/C or Elec. Furnace	L	L	L	L	ML	
	Left	Heat Pump	L	ML	ML	MH	H	
2/4TEH3F60B	Horizontal	A/C or Elec. Furnace	L	L	L	L	ML	
	Right	Heat Pump	L	ML	ML	MH	H	

(L) Low, (ML) Medium-Low, (MH) Medium-High, (H) High, indicate minimum heating speed settings for blower/motor operation.

Heaters for Split System and Convertible Air Handlers

A new line of our 1400 series model electric heaters have been introduced. These heaters are designated with a "C" in the 14th digit of the heater model number. These new "C" model heaters are backward compatible with all previous versions of the 1400 series of heaters. All communicating air handlers (2/4TEE3C) must use the "C" revision heaters.

Table AH-13-A — Heaters - 2/4TEE, 2/4 TEC, 2TGB

Heater Model Number	Capacity @ 240 Volts		Capacity @ 208 Volts		Voltage	Control Stages	Heater Amps per Circuit		Contains Circuit Breakers
	kW	BTUH	kW	Rated BTUH			208 Volts	240Volt	
BAYHTR1405000	4.80	16,400	3.6	12,300	208/240/1/60	1	17.3	20	No
BAYHTR1405BRKB	4.80	16,400	3.6	12,300	208/240/1/60	1	17.3	20	Yes
BAYHTR1405BRKC	4.80	16,400	3.6	12,300	208/240/1/60	1	17.3	20	Yes
BAYHTR1405PDC	4.80	16,400	3.6	12,300	208/240/1/60	1	17.3	20	No
BAYHTR1408000	7.68	26,200	5.76	19,700	208/240/1/60	1	27.7	32	No
BAYHTR1408BRKB	7.68	26,200	5.76	19,700	208/240/1/60	1	27.7	32	Yes
BAYHTR1408BRKC	7.68	26,200	5.76	19,700	208/240/1/60	1	27.7	32	Yes
BAYHTR1408PDC	7.68	26,200	5.76	19,700	208/240/1/60	1	27.7	32	No
BAYHTR1410000	9.60	32,800	7.20	24,600	208/240/1/60	1	34.6	40	No
BAYHTR1410BRKB	9.60	32,800	7.20	24,600	208/240/1/60	1	34.6	40	Yes
BAYHTR1410BRKC	9.60	32,800	7.20	24,600	208/240/1/60	1	34.6	40	Yes
BAYHTR1410PDC	9.60	32,800	7.20	24,600	208/240/1/60	1	34.6	40	No
BAYHTR1415BRKB	15.36	52,400	11.53	39,300	208/240/1/60	2	34.6/20.8 ^{①②}	40/24 ^①	Yes
BAYHTR1419BRKB	19.20	65,500	14.42	44,200	208/240/1/60	2	27.8/41.6 ^{①②}	32/48 ^①	Yes
BAYHTR1425BRKB	24.96	85,200	18.73	63,900	208/240/1/60	3	38.1/34.6/17.3 ^①	44/40/20 ^①	Yes
BAYHTR1415BRKC	15.36	52,400	11.53	39,300	208/240/1/60	2	34.6/20.8 ^{①②}	40/24 ^①	Yes
BAYHTR1419BRKC	19.20	65,500	14.42	44,200	208/240/1/60	2	27.8/41.6 ^{①②}	32/48 ^①	Yes
BAYHTR1425BRKC	24.96	85,200	18.73	63,900	208/240/1/60	3	38.1/34.6/17.3 ^①	44/40/20 ^①	Yes
Three Phase									
BAYHTR3410000	9.60	32,800	7.20	24,600	208/240/3/60	1	30	34.6	No
BAYHTR3415000	15.36	52,400	11.53	39,300	208/240/3/60	1	33	38.2	No

① Circuit 1/Circuit 2/Circuit 3*

② Heater can be converted to single circuit power entry by using BAYSPEK140B. This kit allows a single power circuit to be used with electric heaters that contain two (2) circuit breakers.

BAYSPEK140B to be used with BAYHTR1415BRKB,C/ BAYHTR1419BRKB,C only.

CAUTION: Any power supply and/or combination power supply, circuit or circuits must be wired and protected in accordance with local electrical codes.

*On model BAYHTR1425 only.

Heaters for Split System and Convertible Air Handlers

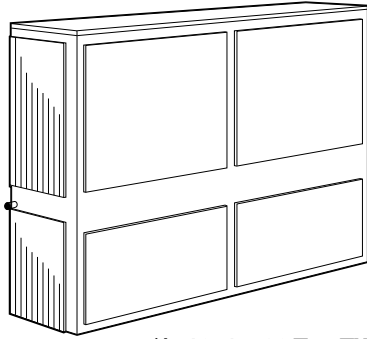
(Example: L=Low, M=Medium, H=High Speed)
PS = Minimum speed tap varies based on air handler installation position.
AS = Heater application is affected based on whether the outdoor unit is a heat pump or cooling unit.
000 = Pigtails, BRK = Contains circuit breakers, PDC = Contains Pull Disconnect

MINIMUM HEATING AIRFLOW CFM COOLING/HEAT PUMP AIR FLOW - HEATER MATRIX						
AIR HANDLER	HEATER MODEL NUMBER BAYHTR—					
MODEL NUMBER	1405 000 BRK PDC 4.80kW	1408 000 BRK PDC 7.68kW	1410 000 BRK PDC 3410 000 9.60kW	1415 BRK 15.36kW 3415 000	1419 BRK 19.20kW	1425 BRK 24.96kW
NUMBER OF HEATER RACKS	1	2	2	2	4	5
NUMBER OF CIRCUITS	1	1	1	2	2	3
2/4TEE3C31	1000/1130	PS/1130	1130/1350	1130/1350	1130/1350	—
2/4TEE3C37	600/PS	900/PS	1100/1450	1100/1450	1100/1450	—
2/4TEE3C40	600/PS	600/900	900/1100	1100/1400	1100/1400	1100/1400
2/4TEE3C49	800/1100	800/1100	800/1400	1100/1700	1400/1700	1400/1700
2/4TEE3C65	900/1200	900/1200	1200/1500	PS/PS	1200/1500	1500/1800
2/4TEE3D31	700/1000	700/1000	700/1000	700/1125	1000/1350	—
2/4TEE3D37	600/700	600/900	600/900	1000/1300	1000/1350	—
2/4TEE3D40	600/1100	600/1100	600/1100	1100/1400	1100/1400	1100/1400
2/4TEE3D49	700/1400	700/1400	700/1400	1400/1600	1400/1600	1400/1600
2/4TEE3D65	900/PS	900/PS	900/PS	1200/1800	1200/1800	1200/1800
2/4TEE3F31	700/1000	700/1000	700/1000	700/1125	1000/1350	—
2/4TEE3F37	600/700	600/900	600/900	1000/1300	1000/1350	—
2/4TEE3F39	900/900	900/900	900/900	900/PS	PS/PS	—
2/4TEE3F40	600/1100	600/1100	600/1100	1100/1400	1100/1400	1100/1400
2/4TEE3F48	800/800	800/800	800/800	PS/PS	PS/PS	PS/PS
2/4TEE3F49	700/1400	700/1400	700/1400	1400/1600	1400/1600	1400/1600
2/4TEE3F62	900/PS	900/PS	900/PS	1200/1800	1200/1800	1200/1800
2/4TEE3F64	900/900	900/900	900/900	PS/PS	900/900	900/1800
2/4TEE3F65	900/1500	900/1500	900/1500	1200/1800	1200/1800	1200/1800
2/4TEC3F18B	L/L	L/M	L/M	—	—	—
2/4TEC3F24B	L/L	L/L	L/L	L/M	—	—
2/4TEC3F30B	L/L	L/L	L/L	L/M	—	—
2/4TEC3F36B	L/L	L/L	L/L	L/H	L/H	—
2/4TEC3F42C	ML/ML	ML/ML	ML/ML	ML/PS	ML/H	—
2/4TEC3F48B	L/L	L/L	L/L	L/L	PS/PS	—
2/4TEC3F55B	L/L	L/L	L/L	L/PS	L/H	L/H
2/4TEC3F60B	ML/ML	ML/ML	ML/ML	ML/PS	ML/MH	—
2TGB3F18A	L/L	L/M	L/H	—	—	—
2TGB3F25A	L/L	L/M	L/M	L/H	—	—
2TGB3F30A	L/L	L/L	L/L	L/M	—	—
2TGB3F36A	L/L	L/L	L/L	L/H	—	—
2TGB3F42A	L/L	L/L	L/L	L/H	—	—
2TGB3F48A	L/L	L/L	L/L	L/H	L/M	—

Split System Air Handlers

Single Phase – 5-10 Tons

Three Phase – 5-20 Tons



5, 7 1/2, 10, 15, 20 Ton TWE Convertible Air Handlers (Upflow or Horizontal Only)

- New 11th Digit "E" model ReliaTel™ and electromechanical compatible
- Upflow convertible to horizontal
- Expansion valve factory installed
- Check valves for heat pump applications
- Belt drive blower
- Factory installed motor, belt, sheaves, contactor, low voltage terminal board
- One inch filters on 5 to 10 ton units (rack convertible for field supplied two inch)
- Captive screws remain on the panels for service ease
- Low voltage terminal board
- Drain Pan
- Factory Installed (EDC) Evaporator Defrost Control
- IAQ (Indoor Air Quality) sloped/free draining pan, no standing water
- Two inch filters factory installed on 15, 20 ton units
- Supplemental heaters (electric, water, steam) fits directly on unit discharge for low installation cost
- Single point power entry for reduced electrical power installation cost
- Unit fully assembled to reduce field installation costs
- Compact design with low service clearance to reduce building requirements
- Brazed refrigerant piping connections
- Fan relay UL listed and CSA Certified
- **Optional extended warranties**

Table AH-15-A — Single Circuit Coil

Tons	Unit Model No.	Power Supply Volts/Phase/Hz	Capacity (Btuh)	FCCV	Drive Type	Dimensions (in.) ^④ H x W x D	Shipping Weight (lbs.)	MCA*	Max Fuse Size or Max Circuit Breaker ^③ *
Single Phase									
5	TWE060A100E	208-230/1/60	60,000	TXV	Belt	48 x 39 x 23	298	7	15
7 1/2	TWE090A100E ^①	208-230/1/60	90,000	TXV	Belt	54 x 48 x 26	388	8	15
10	TWE120A100E ^①	208-230/1/60	120,000	TXV	Belt	54 x 64 x 26	439	11	15
Three Phase									
5	TWE060A300E	208-230/3/60	60,000	TXV	Belt	48 x 39 x 23	298	4	15
5	TWE060A400E	460/3/60	60,000	TXV	Belt	48 x 39 x 23	298	2	15
5	TWE060AW00E	575/3/60	60,000	TXV	Belt	48 x 39 x 23	298	2	15
7 1/2	TWE090A300E ^{①②}	208-230/3/60	90,000	TXV	Belt	54 x 48 x 26	388	7	15
7 1/2	TWE090AW00E ^①	575/3/60	90,000	TXV	Belt	54 x 48 x 23	298	4	15
10	TWE120A300E ^{①②}	208-230/3/60	120,000	TXV	Belt	54 x 64 x 26	439	8	15
10	TWE120AW00E ^①	575/3/60	120,000	TXV	Belt	54 x 64 x 26	439	4	15

Table AH-15-B— Dual Circuit Coil

Tons	Unit Model No.	Power Supply Volts/Phase/Hz	Capacity (Btuh)	FCCV	Drive Type	Dimensions (in.) ^④ H x W x D	Shipping Weight (lbs.)	MCA*	Max Fuse Size or Max Circuit Breaker ^③ *
Single Phase									
5	TWE060B100E	208-230/1/60	60,000	TXV	Belt	48 x 39 x 23	298	7	15
7 1/2	TWE090B100E	208-230/1/60	90,000	TXV	Belt	54 x 48 x 26	388	8	15
10	TWE120B100E	208-230/1/60	120,000	TXV	Belt	54 x 64 x 26	439	11	15
Three Phase									
5	TWE060B300E	208-230/3/60	60,000	TXV	Belt	48 x 39 x 23	298	4	15
5	TWE060B400E	460/3/60	60,000	TXV	Belt	48 x 39 x 23	298	2	15
7 1/2	TWE090B300E ^{①②}	208-230/3/60	90,000	TXV	Belt	54 x 48 x 26	388	7	15
10	TWE120B300E ^{①②}	208-230/3/60	120,000	TXV	Belt	54 x 64 x 26	439	8	15
10	TWE120BW00E ^①	575/3/60	120,000	TXV	Belt	54 x 64 x 26	439	4	15
15	TWE180B300E	208-230/3/60	180,000	TXV	Belt	69 x 80 x 28	754	12	20
15	TWE180B400E	460/3/60	180,000	TXV	Belt	69 x 80 x 28	754	6	15
15	TWE180BW00E	575/3/60	180,000	TXV	Belt	69 x 80 x 28	754	5	15
20	TWE240B300E	208-230/3/60	240,000	TXV	Belt	72 x 93 x 30	886	19	30
20	TWE240B400E	460/3/60	240,000	TXV	Belt	72 x 93 x 30	886	9	15
20	TWE240BW00E	575/3/60	240,000	TXV	Belt	72 x 93 x 30	886	7	15
20	TWE240E300A	208-230/3/60	246,000	R410A-TXV	Belt	72x93x31	857	19	25
20	TWE240E400A	460/3/60	246,000	R410A-TXV	Belt	72x93x31	857	9	15
20	TWE240EW00A	575/3/60	246,000	R410A-TXV	Belt	72x93x31	857	7	15

① Control transformer not included. Order control transformer accessory when matching these air handlers with 4-6 ton condensing units.

② Ships wired for 208-230/3/60. Field convertible to 460/3/60.

③ HACR type circuit breaker per NEC.

④ Dimensions based on Upflow position.

⑤ All air handlers are shipped with the drain pan installed in the horizontal position. If an alternate position is required, the drain pan should be repositioned before setting the air handler.

* Information subject to change. Please confirm with current Product Data/Service Facts for current factory production.

Split System Air Handlers

Single Phase – 5-10 Tons

Three Phase – 5-20 Tons

Table AH-16-A — Supplementary Heaters^①

Model No.	Power Supply	kW Rating	Used With
BAYHTRL106A	208/240/1/60	4.33/5.76	TWE060-120A1, TWE060-120B1
BAYHTRL112A	208/240/1/60	8.65/11.52	TWE060-120A1, TWE060-120B1
BAYHTRL117A	208/240/1/60	12.98/17.28	TWE060-120A1, TWE060-120B1
BAYHTRL123A	208/240/1/60	17.30/23.04	TWE060-120A1, TWE060-120B1
BAYHTRL129A	208/240/1/60	21.65/28.80	TWE090-120A1, TWE090-120B1
BAYHTRL305A	208/240/3/60	3.75/5.00	TWE060-120A3, TWE060-120B3
BAYHTRL310A	208/240/3/60	7.45/9.96	TWE060-120A3, TWE060-120B3
BAYHTRL315A	208/240/3/60	11.25/14.96	TWE060-120A3, TWE060-120B3
BAYHTRL325A	208/240/3/60	18.71/24.92	TWE060-120A3, TWE060-120B3
BAYHTRL335A	208/240/3/60	26.20/34.88	TWE090-120A3, TWE090-120B3
BAYHTRL405A	460/3/60	5.00	TWE060A4,B4, TWE090-120A3 ^② , TWE090-120B3 ^②
BAYHTRL410A	460/3/60	9.96	TWE060A4,B4, TWE090-120A3 ^② , TWE090-120B3 ^②
BAYHTRL415A	460/3/60	14.96	TWE060A4,B4, TWE090-120A3 ^② , TWE090-120B3 ^②
BAYHTRL425A	460/3/60	24.92	TWE060A4,B4, TWE090-120A3 ^② , TWE090-120B3 ^②
BAYHTRL435A	460/3/60	34.88	TWE090,120A3 ^② , TWE090-120B3 ^②
BAYHTRLW05A	575/3/60	5.00	TWE060AW, TWE090-120AW, TWE090-120BW
BAYHTRLW10A	575/3/60	9.96	TWE060AW, TWE090-120AW, TWE090-120BW
BAYHTRLW15A	575/3/60	14.96	TWE060AW, TWE090-120AW, TWE090-120BW
BAYHTRLW25A	575/3/60	24.92	TWE060-120AW
BAYHTRLW35A	575/3/60	34.88	TWE090,120AW
BAYHTRM310A	208/230/3/60	7.50/10.00	TWE180-240B3,E3
BAYHTRM320A	208/230/3/60	14.96/19.92	TWE180-240B3,E3
BAYHTRM330A	208/230/3/60	22.50/29.92	TWE180-240B3,E3
BAYHTRM350A	208/230/3/60	37.42/49.84	TWE180-240B3,E3
BAYHTRM410A	460/3/60	10.00	TWE180-240B4,E4
BAYHTRM420A	460/3/60	19.92	TWE180-240B4,E4
BAYHTRM430A	460/3/60	29.92	TWE180-240B4,E4
BAYHTRM450A	460/3/60	49.84	TWE180-240B4,E4
BAYHTRMW10A	575/3/60	10.00	TWE180-240BW,EW
BAYHTRMW20A	575/3/60	19.92	TWE180-240BW,EW
BAYHTRMW30A	575/3/60	29.92	TWE180-240BW,EW
BAYHTRMW50A	575/3/60	49.84	TWE180-240BW,EW

① Air Handler with heater of same voltage is single circuit single point.

② Field converted to 460/3/60.

Split System Air Handlers Accessories 5-20 Tons

Table AH-17-A — Accessories

Model Number	Description	Used With
BAYBASE001A ^①	Subbase (38 W x 22 L)	TWE060A, TWE060B
BAYBASE002A ^①	Subbase (47 ¹ / ₂ W x 25 L)	TWE090A, TWE090B
BAYBASE003A ^①	Subbase (63 ¹ / ₂ W x 25 L)	TWE120A, TWE120B
BAYBASE004A ^①	Subbase (79 ¹ / ₂ W x 27 ³ / ₁₆ L)	TWE180B
BAYBASE005A ^①	Subbase (92 ¹ / ₂ W x 30 ⁷ / ₁₆ L)	TWE240B, E
BAYDRKT001A	Condensate Drain Kit	TWE060
BAYDRKT002A	Condensate Drain Kit	TWE090
BAYDRKT003A	Condensate Drain Kit	TWE120
BAYDRKT004A	Condensate Drain Kit	TWE180
BAYDRKT005A	Condensate Drain Kit	TWE240B, E
BAYGRLE001A	Return Air Grille	TWE060A, TWE060B
BAYGRLE002A	Return Air Grille	TWE090A, TWE090B
BAYGRLE003A	Return Air Grille	TWE120A, TWE120B
BAYGRLE004A	Return Air Grille	TWE180B
BAYGRLE005A	Return Air Grille	TWE240B, E
BAYHSMT022B	Oversized Motor 230/1/60 – 1 HP	TWE060A, TWE060B
BAYHSMT023B	Oversized Motor 230/1/60 – 2 HP	TWE090A, TWE090B
BAYHSMT025B	Oversized Motor 230-460/3/60 – 1 HP	TWE060A3, A4, B3, B4
BAYHSMT026A	Oversized Motor 230-460/3/60 – 2 HP	TWE090A3, TWE090B3
BAYHSMT027B	Oversized Motor 230-460/3/60 – 3 HP	TWE120A3, TWE120B3
BAYHSMT028A	Oversized Motor 230/3/60 – 5 HP	TWE180B3
BAYHSMT029A	Oversized Motor 230-460/3/60 – 7.5 HP	TWE240B3, E3, B4, E4
BAYHSMT030A	Oversized Motor 460/3/60 – 5 HP	TWE180B4
BAYHSMT032B	Oversize Motor 575/3/60-1HP	TWE060AW
BAYHSMT033A	Oversize Motor 575/3/60-2HP	TWE090AW
BAYHSMT034A	Oversize Motor 575/3/60-3HP	TWE120AW
BAYHSMT035AA	Oversized Motor 575/3/60 – 5 HP	TWE180BW
BAYHSMT036AA	Oversized Motor 575/3/60 – 7.5 HP	TWE240BW, EW
BAYISLT003A ^{②③④}	Rubber-In-Shear Isolator - Floor	TWE060-090A, TWE060-090B
BAYISLT004A ^{②③④}	Rubber-In-Shear Isolator - Floor	TWE120A, TWE120B
BAYISLT009A ^{①③}	Rubber-In-Shear Isolator - Floor	TWE180-240B, E
BAYISLT012B ^①	Rubber-In-Shear Isolator - Suspended	TWE180B
BAYISLT013B ^{③④}	Rubber-In-Shear Isolator - Suspended	TWE060A, TWE060B
BAYISLT014A ^{③④}	Rubber-In-Shear Isolator - Suspended	TWE090A, TWE090B
BAYISLT015B ^{③④}	Rubber-In-Shear Isolator - Suspended	TWE120A, TWE120B
BAYISLT016B ^①	Rubber-In-Shear Isolator - Suspended	TWE240B, E
BAYISLT018A ^{②③}	Spring Isolator - Floor	TWE060A, TWE060B
BAYISLT019A ^{②③}	Steel Spring Isolator - Floor	TWE090-120A, TWE090-120B
BAYISLT021A ^{①②}	Rubber-In-Shear Isolator - Floor	TWE180-240B, E
BAYISLT028A ^③	Steel Spring Isolator - Suspended	TWE060A, TWE060B
BAYISLT029A ^③	Spring Isolator - Suspended	TWE090-120A, TWE090-120B
BAYISLT030A ^①	Rubber-In-Shear Isolator - Suspended	TWE180B
BAYISLT031B ^①	Rubber-In-Shear Isolator - Suspended	TWE240B, E
BAYLSDR001A	Low Static Drive Kit	TWE240B, E
BAYLSDR003A	Low Static Drive Kit	TWE090A, TWE090B
BAYPLNM015A ^{⑤⑥}	Discharge Plenum and Grille	TWE060A, TWE060B
BAYPLNM016A ^{⑤⑥}	Discharge Plenum and Grille	TWE090A, TWE090B
BAYPLNM017A ^{⑤⑥}	Discharge Plenum and Grille	TWE120A, TWE120B
BAYPLNM018A ^{⑤⑥}	Discharge Plenum and Grille	TWE180B
BAYPLNM019A ^{⑤⑥}	Discharge Plenum and Grille	TWE240B, E
BAYPLNM020A ^⑤	Hydronic Coil Discharge Plenum and Grille	BAYWATRO12A, 017C
BAYPLNM021A ^⑤	Hydronic Coil Discharge Plenum and Grille	BAYWATRO13A, 018C
BAYPLNM022A ^⑤	Hydronic Coil Discharge Plenum and Grille	BAYWATRO14A, 019C
BAYPLNM025A ^⑦	Electric Heat Discharge Plenum and Grille For use with TWE060A, TWE060B	BAYHTRL117A, 315A, 415A
BAYPLNM026A ^⑦	Electric Heat Discharge Plenum and Grille For use with TWE090A, TWE090B	BAYHTRL117A, 123A, BAYHTRL315A, 325A, BAYHTRL415A, 425A
BAYPLNM027A ^⑦	Electric Heat Discharge Plenum and Grille For use with TWE120A, TWE120B	BAYHTRL117A, 123A, BAYHTRL315A, 325A, BAYHTRL415A, 425A
BAYPLNM028A ^⑦	Electric Heat Discharge Plenum and Grille - 15 Ton	BAYHTRM330A, 430A, W30A
BAYPLNM029A ^⑦	Electric Heat Discharge Plenum and Grille - 20 Ton	BAYHTRM330A, 430A, W30A
BAYTFMR003A ^{⑧⑨}	77va Transformer 230v/24v	TWE090-120A3, TWE090-120B3
BAYTFMR004A ^{⑧⑨⑩}	77va Transformer 460v/24v	TWE090-120A3, TWE090-120B3
BAYTFMR005A ^{⑧⑨}	77va Transformer 575v/24v	TWE090AW, TWE120AW, BW
BAYTFMR007A ^{⑧⑨⑪}	75va Transformer Relay and Terminal Connections 230v/24v	TWE120B3
BAYTFMR008A ^{⑧⑨⑪}	87va Transformer Relay and Terminal Connections 460v/24v	TWE120B3
BAYWATRO12A	Steam Coil Encl. & Assm. (38 W x 22 ¹ / ₈ L x 14 H)	TWE060A, TWE060B
BAYWATRO13A	Steam Coil Encl. & Assm. (47 ³ / ₈ W x 25 ³ / ₁₆ L x 14 H)	TWE090A, TWE090B
BAYWATRO14A	Steam Coil Encl. & Assm. (63 ³ / ₈ W x 25 ³ / ₁₆ L x 16 H)	TWE120A, TWE120B
BAYWATRO15A	Steam Coil Encl. & Assm. (79 ³ / ₈ W x 27 ¹³ / ₁₆ L x 16 H)	TWE180B
BAYWATRO16A	Steam Coil Encl. & Assm. (92 ³ / ₈ W x 30 ³ / ₈ L x 18 H)	TWE240B, E
BAYWATRO17D	Hot Water Coil Encl. & Assm. (38 W x 22 ¹ / ₈ L x 14 H)	TWE060A, TWE060B
BAYWATRO18D	Hot Water Coil Encl. & Assm. (47 ³ / ₈ W x 25 ³ / ₁₆ L x 14 H)	TWE090A, TWE090B
BAYWATRO19D	Hot Water Coil Encl. & Assm. (63 ³ / ₈ W x 25 ³ / ₁₆ L x 16 H)	TWE120A, TWE120B
BAYWATRO20D	Hot Water Coil Encl. & Assm. (79 ³ / ₈ W x 27 ¹³ / ₁₆ L x 16 H)	TWE180B
BAYWATRO21D	Hot Water Coil Encl. & Assm. (92 ³ / ₈ W x 30 ³ / ₈ L x 18 H)	TWE240B, E
BAYWRKT001A	Wire Kit to Achieve 180° Reversible Discharge	TWE060-090-120A, TWE060-090-120B

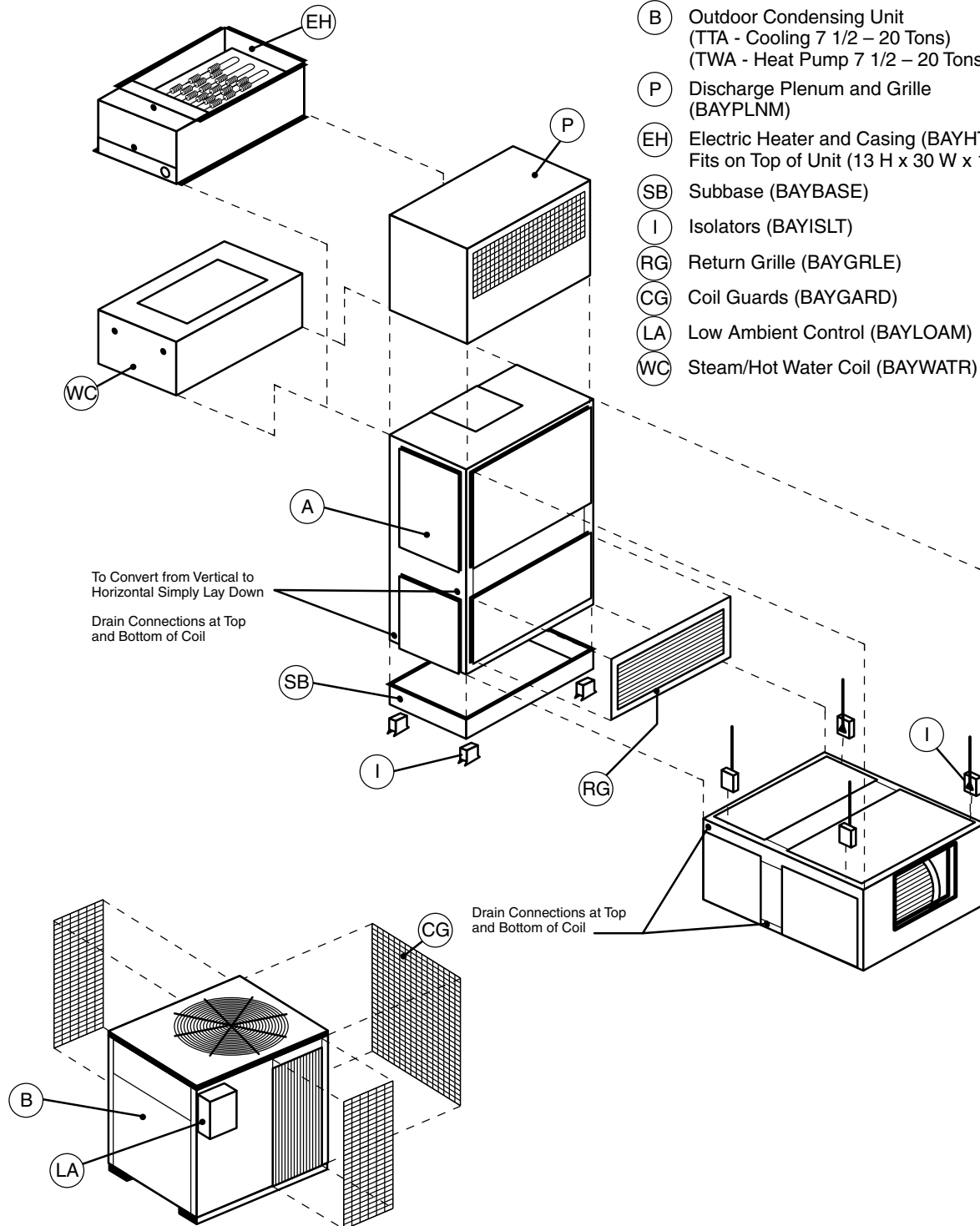
① When Air Handler is in vertical position and close proximity trapping of condensate is required, use of subbase is recommended.
 ② Requires use of subbase accessory.
 ③ Do not use with units having steam or hot water coil.
 ④ Do not use if blower will operate less than 600 rpm.
 ⑤ For vertical use only.

⑥ Discharge Plenum and Grille cannot be used with Electric or Hydronic Heat options.
 ⑦ See data catalog for minimum and maximum airflow requirements.
 ⑧ Required when 7¹/₂ – 10 ton Air Handlers are matched with 4 – 6 ton outdoor units.
 ⑨ Required when used with Qty 2 Split System condensing units.
 ⑩ When field connected for 460V.
 ⑪ Required when used with Qty 2 Split System Heat Pump.

Split System Air Handlers 5-20 Tons

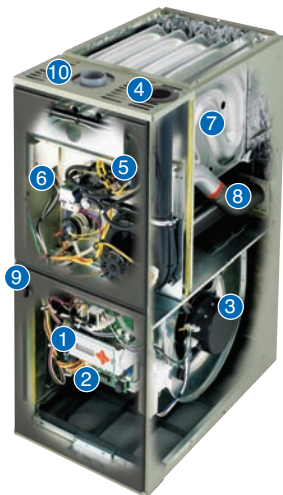
Factory Supplied Accessories

- (A) Air Handler (TWE 5 – 20 Tons)
- (B) Outdoor Condensing Unit (TTA - Cooling 7 1/2 – 20 Tons)
(TWA - Heat Pump 7 1/2 – 20 Tons)
- (P) Discharge Plenum and Grille (BAYPLNM)
- (EH) Electric Heater and Casing (BAYHTRL)
Fits on Top of Unit (13 H x 30 W x 17 D)
- (SB) Subbase (BAYBASE)
- (I) Isolators (BAYISLT)
- (RG) Return Grille (BAYGRLE)
- (CG) Coil Guards (BAYGARD)
- (LA) Low Ambient Control (BAYLOAM)
- (WC) Steam/Hot Water Coil (BAYWATR)



Comfort, efficiency and innovation that really connect.

Featuring **ultra-efficient three-stage heating** and a **variable-speed blower motor with Comfort-R™**, the American Standard Freedom 95 variable-speed, three-stage communicating furnace makes the most out of every energy dollar. And with advanced **AccuLink™ communicating technology**, this unit does something no other furnace has done before – it connects homeowners or your technicians with **real-time operating information and remote programming by phone**.* Flexible and convenient, this forward-thinking design also saves time and boosts your business right from the start with a **three-wire connection** to the Comfort Control for easy installation.



Comfort features you can take to the bank.

- 1 **AccuLink™ communicating capability with user interface**
Enables the system to “communicate” its status and settings to the Comfort Control, while also allowing remote monitoring and programming by phone.* User interface clearly displays AccuLink™ diagnostics and setup information, allowing for easy maintenance and troubleshooting. Airflow is set up automatically and no adjustment to dip switches is required.
- 2 **Three-wire connection**
Simplified connection to the Comfort Control enables faster, easier installation.

Freedom® Variable-Speed, Three-Stage Communicating Furnace

Ultimate



Up to
95.0%
AFUE

Lifetime limited warranty
on heat exchangers
5-year limited warranty
on all functional parts

Variable-Speed, Three-Stage Communicating Furnace

Freedom®

95

- 3 **High efficiency, variable-speed blower motor with Comfort-R™**
Quietly and gradually ramps up to speed for a softer start and more consistent airflow. When partnered with exclusive Comfort-R technology, it reduces temperature variances from room to room and provides greater humidity control during cooling.
- 4 **Induced draft venting**
Variable-speed draft blower assembly quietly draws hot air through the heat exchanger to maximize heating.
- 5 **Adaptive silicon nitride hot surface igniter**
Prevents overheating, resulting in a highly reliable ignition system and the longest possible service life.
- 6 **Three-stage modulating gas valve**
Design operates up to 95% AFUE at 40%, 65% and 100% firing rates.
- 7 **Primary aluminized steel heat exchanger**
Crimped, not welded, to prevent cracks from heat stress. Stamped serpentine channel offers the greatest efficiency in less space. Backed by our lifetime limited warranty.
- 8 **Three-row secondary heat exchanger**
Captures more of the heat your customers pay for. Also backed by our lifetime limited warranty.
- 9 **Easy-access doors**
Quarter-turn dual door latches provide quick and easy access for servicing. (Upflow models only.)
- 10 **100% fresh air option**
Uses 100% outdoor air for combustion, increasing equipment life.

*An American Standard 900 Comfort Control is required for all Freedom 95 variable-speed, three-stage communicating furnaces. Telephone Access Module (TAM) required for remote system monitoring.

American Standard
HEATING & AIR CONDITIONING

95

Freedom[®] Variable-Speed, Three-Stage Communicating Furnace

Your Profit-ability with American Standard Heating & Air Conditioning

Sell-ability

- Industry leader and brand reputation
- Innovative communicating technology
- High efficiency, variable-speed blower motor with Comfort-R™
- Compatible with AccuClean™ AFD models
- Greater reliability
- Quiet operation

Install-ability

- AccuLink™ communicating capability with automatic airflow setup
- Air cleaner and humidifier terminals
- Upflow/horizontal left
- Downflow/horizontal right
- Left/right gas and electrical hookups
- Direct/non-direct vent option
- Simplified wiring – 3 wires indoor/2 wires outdoor

Service-ability

- Communicating user interface
- Quarter-turn blower door latches on upflow models
- Self-diagnostic controls with set-up information and alerts

Performance-ability

- Up to 95.0% efficiency on gas and ENERGY STAR® qualified
- Insulated blower door and cabinet save energy and reduce sound
- Automotive-grade gaskets reduce sound and air infiltration
- Three-stage modulating gas valve (40, 65, 100)

Rely-ability

- Individually factory-tested before shipping
- Silicon nitride igniter
- 100% fresh air option
- Integrated furnace control
- Aluminized steel primary heat exchanger
- AL29-4C™ stainless steel, three-row secondary heat exchanger
- Multi-port in-shot burners

A warranty for you and your customers.

Not only does an American Standard Extended Warranty protect your customers, it allows you to maintain a relationship with them and generate future business. Extended warranties are also a great way to promote your reputation in the community and collect referrals, while ensuring customer satisfaction.

American Standard Heating & Air Conditioning benefits for your customers

Reliable performance

Design innovations and rigorous testing ensure that our name goes on only the most reliable products.

Durable construction

Materials for all components are torture-tested for consistent, reliable, long-lasting performance and durability.

Enhanced comfort

Add American Standard accessories such as Comfort Controls and Humidifiers to enhance overall performance and maximize comfort.

Cleaner air

Add an AccuClean™ air cleaner to remove up to 99.98% of airborne allergens from filtered air for a cleaner, more comfortable home.

Efficient operation

Increased efficiency may lower heating or cooling costs.

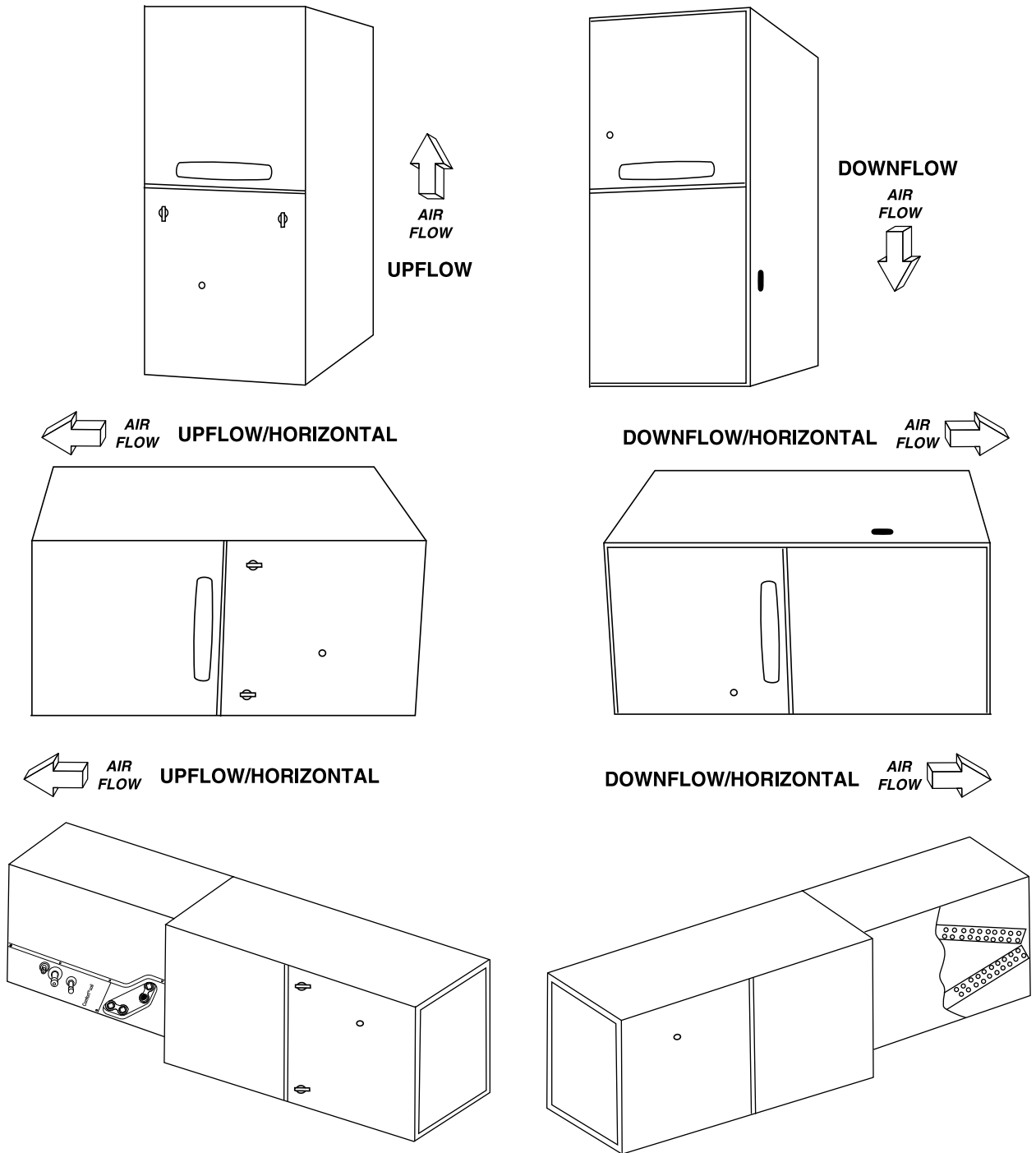
A reputation built on reliability and durability.

We salute independent American Standard Heating & Air Conditioning dealers who work to improve the lives of their customers' families. Our promise to you is to continually dedicate ourselves to creating and manufacturing new and innovative products – products that make you and your customers a lot more comfortable.

American Standard
HEATING & AIR CONDITIONING
americanstandardair.com

Model Number	Nominal Tons	AFUE	Height (in.)	Width (in.)	Depth (in.)
Freedom 95 Variable-Speed, Three-Stage Upflow/Horizontal Furnace					
AUH3B060ACV3VA	3	95.0	40.0	17.5	28.0
AUH3B080ACV3VA	3	95.0	40.0	17.5	28.0
AUH3C100ACV4VA	4	95.0	40.0	21.0	28.0
AUH3D120ACV5VA	5	95.0	40.0	24.5	28.0
Freedom 95 Variable-Speed, Three-Stage Downflow/Horizontal Furnace					
ADH3B060ACV3VA	3	92.1	40.0	17.5	28.0
ADH3B080ACV3VA	3	95.0	40.0	17.5	28.0
ADH3C100ACV4VA	4	95.0	40.0	21.0	28.0
ADH3D120ACV5VA	5	92.1	40.0	24.5	28.0

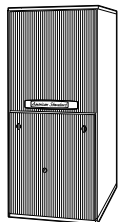
Freedom 95, 90* and American Standard 90 Convertible Gas Furnaces Airflow Directions



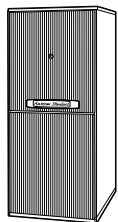
Note: The forty inch (40") height condensing downflow/horizontal and upflow/horizontal furnaces may only be rotated onto their left side. Connection brackets for coil/furnace alignment are included with the furnaces. The apex of the coil may point into or away from the airflow.

*Freedom 90 furnace with integrated AccuClean™ technology is upflow or upflow/horizontal application only.

Freedom 95 Convertible Gas Furnaces



**Freedom 95
Direct/Non-Direct
Vent**



**Freedom 95
Direct/Non-Direct
Vent**

Table FUR-2-A — Freedom 95 Communicating Only Variable Speed, Direct/Non-Direct Vent, Three Stage, One or Two Pipe, Upflow/Horizontal Left Condensing Gas Furnace (115/1/60)

Unit Model No.	Airflow In Tons	Output (Btuh)			ICSO ^{①②} AFUE	Flue Size (in)	Ignition Device	Uncrated Dimensions (in.) H x W x D	Shipping Weight (lbs.)	Max Fuse [†]	Filter Sizes
		Stage 3	Stage 2	Stage 1							
AUH3B060ACV3VA	3	55,000	③	22,000	95.0	2, 2½, 3	Silicon Nitride	40 x 17½ x 28	158	15	17 x 25 x 1
AUH3B080ACV3VA	3	75,000	③	30,000	95.0	2, 2½, 3	Silicon Nitride	40 x 17½ x 28	168	15	17 x 25 x 1
AUH3C100ACV4VA	4	95,000	③	38,000	95.0	2½, 3	Silicon Nitride	40 x 21 x 28	197	20	20 x 25 x 1
AUH3D120ACV5VA	5	114,000	③	52,000	95.0	3	Silicon Nitride	40 x 24½ x 28	206	20	24 x 25 x 1

Note: Variable speed furnaces should not be twinned and are not approved for twinning applications.

Table FUR-2-B — Freedom 95 Communicating Only Variable Speed, Direct/Non-Direct Vent, Three Stage, One or Two Pipe, Downflow/Horizontal Right Condensing Gas Furnace (115/1/60)

Unit Model No.	Airflow In Tons	Output (Btuh)			ICSO ^{①②} AFUE	Flue Size (in)	Ignition Device	Uncrated Dimensions (in.) H x W x D	Shipping Weight (lbs.)	Max Fuse [†]	Filter** Sizes
		Stage 3	Stage 2	Stage 1							
ADH3B060ACV3VA	3	56,000	③	22,000	92.1	2, 2½, 3	Silicon Nitride	40 x 17½ x 28	160	15	17 x 25 x 1
ADH3B080ACV3VA	3	74,000	③	30,000	95.0	2, 2½, 3	Silicon Nitride	40 x 17½ x 28	168	15	17 x 25 x 1
ADH3C100ACV4VA	4	95,000	③	38,000	95.0	2½, 3	Silicon Nitride	40 x 21 x 28	185	20	20 x 25 x 1
ADH3D120ACV5VA	5	109,000	③	46,000	92.1	3	Silicon Nitride	40 x 24½ x 28	206	20	24 x 25 x 1

Note: Variable speed furnaces should not be twinned and are not approved for twinning applications.

① Isolated Combustion System.

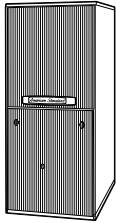
② Energy Star.

③ Second stage output capacity is approximately equal to 65% of third stage output capacity. There is no testing protocol for this value.

* Information subject to change. Please confirm with current Product Data/Service Facts for current factory production.

** Filters are not shipped with furnace.

Freedom 95, 90 Convertible Gas Furnaces



**Freedom 95
Direct/Non-Direct
Vent**

Table FUR-3-A — Freedom 95 Direct/Non-Direct Vent, Two Stage, One or Two Pipe, Upflow/Horizontal Left Condensing Gas Furnace (115/1/60)

Unit Model No.	Airflow In		Output (Btuh)		ICS ^{①②} AFUE	Flue Size (in)	Ignition Device	Uncrated Dimensions (in.) H x W x D	Shipping Weight (lbs.)	Max Fuse*	Filter Sizes
	Tons	Stage 2	Stage 1	Stage 1							
AUH2B060A9V3VA	3	58,000	37,700	96.7	2, 2 ¹ / ₂ , 3	Silicon Nitride	40 x 17 ¹ / ₂ x 28	158	15	17 x 25 x 1	
AUH2B080A9V3VA	3	76,000	49,500	95.0	2, 2 ¹ / ₂ , 3	Silicon Nitride	40 x 17 ¹ / ₂ x 28	168	15	17 x 25 x 1	
AUH2C100A9V4VA	4	95,000	61,800	95.0	2 ¹ / ₂ , 3	Silicon Nitride	40 x 21 x 28	197	20	20 x 25 x 1	
AUH2D120A9V5VA	5	114,700	74,500	95.6	3	Silicon Nitride	40 x 24 ¹ / ₂ x 28	206	20	24 x 25 x 1	

Note: Variable speed furnaces should not be twinned and are not approved for twinning applications.

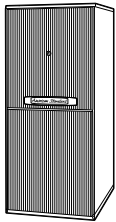


**Freedom 90
Direct/Non-Direct
Vent**

Table FUR-3-B — Freedom 90 Direct/Non-Direct Vent, Two-Stage, One or Two Pipe, Variable Speed, Upflow/Horizontal Left Condensing Gas Furnace (115/1/60)

Unit Model No.	Airflow In		Output (Btuh)		ICS ^{①②} AFUE	Flue Size (in)	Ignition Device	Uncrated Dimensions (in.) H x W x D	Shipping Weight (lbs.)	Max Fuse*	Filter Sizes
	Tons	Stage 2	Stage 1	Stage 1							
AUY060R9V3W	3	56,000	37,000	93.0	2, 2 ¹ / ₂ , 3	Silicon Nitride	40 x 17 ¹ / ₂ x 28	156	15	17 x 25 x 1	
AUY080R9V3W	3	73,000	48,000	92.5	2, 2 ¹ / ₂ , 3	Silicon Nitride	40 x 17 ¹ / ₂ x 28	168	15	17 x 25 x 1	
AUY100R9V4W	4	93,000	60,000	93.0	2 ¹ / ₂ -3	Silicon Nitride	40 x 21 x 28	197	20	20 x 25 x 1	
AUY120R9V5W	5	112,000	72,000	92.5	3 Only	Silicon Nitride	40 x 24 ¹ / ₂ x 28	206	20	24 x 25 x 1	

Note: Variable speed furnaces should not be twinned and are not approved for twinning applications.

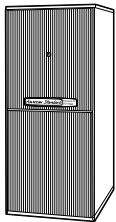


**Freedom 95
Direct/Non-Direct
Vent**

Table FUR-3-C — Freedom 95 Direct/Non-Direct Vent, Two Stage, One or Two Pipe, Downflow/Horizontal Right Condensing Gas Furnace (115/1/60)

Unit Model No.	Airflow In		Output (Btuh)		ICS ^{①②} AFUE	Flue Size (in)	Ignition Device	Uncrated Dimensions (in.) H x W x D	Shipping Weight (lbs.)	Max Fuse*	Filter**
	Tons	Stage 2	Stage 1	Stage 1							
ADH2B060A9V3VA	3	57,000	37,000	95.0	2, 2 ¹ / ₂ , 3	Silicon Nitride	40 x 17 ¹ / ₂ x 28	160	15	17 x 25 x 1	
ADH2B080A9V3VA	3	76,000	49,400	95.0	2, 2 ¹ / ₂ , 3	Silicon Nitride	40 x 17 ¹ / ₂ x 28	168	15	17 x 25 x 1	
ADH2C100A9V4VA	4	95,000	61,800	95.0	2 ¹ / ₂ , 3	Silicon Nitride	40 x 21 x 28	185	20	20 x 25 x 1	
ADH2D120A9V5VA	5	114,000	74,000	95.0	3	Silicon Nitride	40 x 24 ¹ / ₂ x 28	206	20	24 x 25 x 1	

Note: Variable speed furnaces should not be twinned and are not approved for twinning applications.



**Freedom 90
Direct/Non-Direct
Vent**

Table FUR-3-D — Freedom 90 Direct/Non-Direct Vent, Two-Stage, One or Two Pipe, Variable Speed, Downflow/Horizontal Right Condensing Gas Furnace (115/1/60)

Unit Model No.	Airflow In		Output (Btuh)		ICS ^{①②} AFUE	Flue Size (in)	Ignition Device	Uncrated Dimensions (in.) H x W x D	Shipping Weight (lbs.)	Max Fuse*	Filter Sizes
	Tons	Stage 2	Stage 1	Stage 1							
ADY060R9V3W	3	56,000	36,000	92.0	2, 2 ¹ / ₂ , 3	Silicon Nitride	40 x 17 ¹ / ₂ x 28	160	15	(2) 14 x 20 x 1	
ADY080R9V3W	3	74,000	48,000	92.5	2, 2 ¹ / ₂ , 3	Silicon Nitride	40 x 17 ¹ / ₂ x 28	168	15	(2) 14 x 20 x 1	
ADY100R9V4W	4	94,000	60,000	93.0	2 ¹ / ₂ -3	Silicon Nitride	40 x 21 x 28	185	20	(2) 16 x 20 x 1	
ADY120R9V5W	5	112,000	72,000	92.5	3 Only	Silicon Nitride	40 x 24 ¹ / ₂ x 28	206	20	(2) 16 x 20 x 1	

Note: Variable speed furnaces should not be twinned and are not approved for twinning applications.

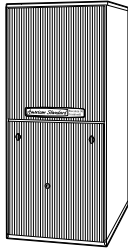
① Isolated Combustion System.

② Energy Star.

* Information subject to change. Please confirm with current Product Data/Service Facts for current factory production.

** Filters are not shipped with furnace.

Freedom 90 Convertible Gas Furnaces

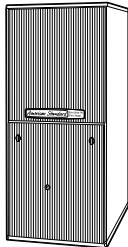


**Freedom 90
Direct/Non-Direct
Vent**

**Table FUR-4-A — Freedom 90 Comfort-R™ Direct/Non-Direct Vent, Two Stage, One or Two Pipe, Upflow/
Horizontal Left Condensing Gas Furnace with Whole House Air Cleaner (115/1/60)**

Unit Model No.	Airflow In Tons	Output (Btuh)		ICS ^① ②	Flue Size (in)	Ignition Device	Uncrated Dimensions (in.) H x W x D	Shipping Weight (lbs.)	Max Fuse*	Filter** Sizes
		Stage 2	Stage 1							
AUX2B060AFV3VA	3	56,000	36,000	93.0	2, 2½, 3	Silicon Nitride	40 x 17½ x 28	161	15	17 x 25 x 1
AUX2B080AFV3VA	3	73,000	48,000	92.5	2, 2½, 3	Silicon Nitride	40 x 17½ x 28	171	15	17 x 25 x 1
AUX2C100AFV4VA	4	93,000	60,000	93.0	2½, 3	Silicon Nitride	40 x 21 x 28	200	20	20 x 25 x 1
AUX2D120AFV5VA	5	112,000	66,000	92.5	3 Only	Silicon Nitride	40 x 24½ x 28	209	20	24 x 25 x 1

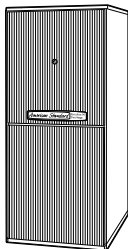
Note: Variable speed furnaces should not be twinned and are not approved for twinning applications.



**Freedom 90
Direct/Non-Direct
Vent**

**Table FUR-4-B — Freedom 90 Direct/Non-Direct Vent, Two Stage, One or Two Pipe, Upflow/Horizontal Left
Condensing Gas Furnace (115/1/60)**

Unit Model No.	Airflow In Tons	Output (Btuh)		ICS ^① ②	Flue Size (in)	Ignition Device	Uncrated Dimensions (in.) H x W x D	Shipping Weight (lbs.)	Max Fuse*	Filter** Sizes
		Stage 2	Stage 1							
AUX2B060A9362A	3	56,000	36,000	93.0	2, 2½, 3	Silicon Nitride	40 x 17½ x 28	156	15	17 x 25 x 1
AUX2B080A9422A	3	73,000	48,000	92.5	2, 2½, 3	Silicon Nitride	40 x 17½ x 28	168	15	17 x 25 x 1
AUX2C100A9482A	4	93,000	60,000	93.0	2½-3	Silicon Nitride	40 x 21 x 28	197	20	20 x 25 x 1
AUX2D120A9602A	5	112,000	66,000	92.5	3 Only	Silicon Nitride	40 x 24½ x 28	206	20	24 x 25 x 1



**Freedom 90
Direct/Non-Direct
Vent**

**Table FUR-4-C — Freedom 90 Direct/Non-Direct Vent, Two Stage, One or Two Pipe, Downflow/Horizontal
Right Condensing Gas Furnace (115/1/60)**

Unit Model No.	Airflow In Tons	Output (Btuh)		ICS ^① ②	Flue Size (in)	Ignition Device	Uncrated Dimensions (in.) H x W x D	Shipping Weight (lbs.)	Max Fuse*	Filter** Sizes
		Stage 2	Stage 1							
ADX2B060A9362A	3	55,000	36,000	92.0	2-3	Silicon Nitride	40 x 17½ x 28	160	15	(2) 14 x 20 x 1
ADX2B080A9422A	3	74,000	48,000	92.5	2-3	Silicon Nitride	40 x 17½ x 28	168	15	(2) 14 x 20 x 1
ADX2C100A9482A	4	93,000	60,000	93.0	2½-3	Silicon Nitride	40 x 21 x 28	185	20	(2) 16 x 20 x 1
ADX2D120A9602A	5	111,000	72,000	92.5	3 Only	Silicon Nitride	40 x 24½ x 28	206	20	(2) 16 x 20 x 1

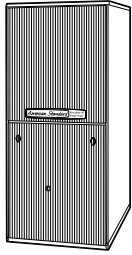
① Isolated Combustion System.

② Energy Star.

* Information subject to change. Please confirm with current Product Data/Service Facts for current factory production.

** Filters are not shipped with furnace.

Freedom 90 Convertible Gas Furnaces



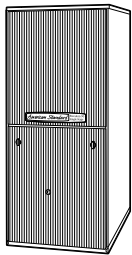
**Freedom 90
Direct/Non-Direct
Vent**

Table FUR-5-A — Freedom 90 Direct/Non-Direct Vent, Single-Stage, One or Two Pipe, Upflow/Horizontal Left Condensing Gas Furnace (115/1/60) with Filter

Unit Model No.	Airflow In Tons	Nominal Output (Btuh)	ICS ^① ② AFUE	Flue Size (in)	Ignition Device	Uncrated Dimensions (in.) H x W x D	Shipping Weight (lbs.)	Max Fuse*	Filter Sizes
AUX1B040A9H21B	2	38,000	92.1	2, 2 1/2, 3	Silicon Nitride	40 x 17 1/2 x 28	139	15	17 x 25 x 1
AUX1B060A9H31B	3	56,000	92.1	2, 2 1/2, 3	Silicon Nitride	40 x 17 1/2 x 28	150	15	17 x 25 x 1
AUX1B080A9H31B	3	74,000	92.1	2, 2 1/2, 3	Silicon Nitride	40 x 17 1/2 x 28	158	15	17 x 25 x 1
AUX1C100A9H41B	4	94,000	92.1	2 1/2, 3	Silicon Nitride	40 x 21 x 28	171	20	20 x 25 x 1
AUX1D120A9H51B	5	113,000	92.1	2 1/2, 3	Silicon Nitride	40 x 24 1/2 x 28	205	20	24 x 25 x 1

Table FUR-5-B — Freedom 90 Direct/Non-Direct Vent, Single-Stage, One or Two Pipe, Downflow/Horizontal Right Condensing Gas Furnace (115/1/60) with Filter

Unit Model No.	Airflow In Tons	Nominal Output (Btuh)	ICS ^① ② AFUE	Flue Size (in)	Ignition Device	Uncrated Dimensions (in.) H x W x D	Shipping Weight (lbs.)	Max Fuse*	Filter Sizes
ADX1B040A9H21B	2	38,000	91.0	2, 2 1/2, 3	Silicon Nitride	40 x 17 1/2 x 28	145	15	(2) 14 x 20 x 1
ADX1B060A9H31B	3	56,000	91.0	2, 2 1/2, 3	Silicon Nitride	40 x 17 1/2 x 28	155	15	(2) 14 x 20 x 1
ADX1B080A9H31B	3	74,000	91.0	2, 2 1/2, 3	Silicon Nitride	40 x 17 1/2 x 28	168	20	(2) 14 x 20 x 1
ADX1C100A9H41B	4	94,000	91.0	2 1/2, 3	Silicon Nitride	40 x 21 x 28	185	20	(2) 16 x 20 x 1
ADX1D120A9H51B	5	112,000	91.0	2 1/2, 3	Silicon Nitride	40 x 24 1/2 x 28	206	20	(2) 16 x 20 x 1



**Freedom 90
Direct/Non-Direct
Vent**

Table FUR-5-C — Freedom 90 Direct/Non-Direct Vent, Single Stage, One or Two Pipe, Upflow/Horizontal Left Condensing Gas Furnace (115/1/60)

Unit Model No.	Airflow In Tons	Nominal Output (Btuh)	ICS ^① ② AFUE	Flue Size (in)	Ignition Device	Uncrated Dimensions (in.) H x W x D	Shipping Weight (lbs.)	Max Fuse*	Filter**
AUX1B040A9241A	2	38,000	92.1	2, 2 1/2, 3	Silicon Nitride	40 x 17 1/2 x 28	139	15	17 x 25 x 1
AUX1B060A9241A	2	56,000	92.1	2, 2 1/2, 3	Silicon Nitride	40 x 17 1/2 x 28	150	15	17 x 25 x 1
AUX1B060A9361A	3	56,000	92.1	2, 2 1/2, 3	Silicon Nitride	40 x 17 1/2 x 28	150	15	17 x 25 x 1
AUX1B080A9241A	2	74,000	92.1	2, 2 1/2, 3	Silicon Nitride	40 x 17 1/2 x 28	158	15	17 x 25 x 1
AUX1B080A9421A	3 1/2	74,000	92.1	2, 2 1/2, 3	Silicon Nitride	40 x 17 1/2 x 28	158	15	17 x 25 x 1
AUX1C080A9601A	5	76,000	92.1	2 1/2, 3	Silicon Nitride	40 x 21 x 28	171	20	20 x 25 x 1
AUX1C100A9361A	3	94,000	92.1	2 1/2-3	Silicon Nitride	40 x 21 x 28	171	15	20 x 25 x 1
AUX1C100A9481A	4	94,000	92.1	2 1/2-3	Silicon Nitride	40 x 21 x 28	171	20	20 x 25 x 1
AUX1D100A9601A	5	93,000	92.1	2 1/2-3	Silicon Nitride	40 x 24 1/2 x 28	197	20	24 x 25 x 1
AUX1D120A9601A	5	113,000	92.1	2 1/2-3	Silicon Nitride	40 x 24 1/2 x 28	205	20	24 x 25 x 1

Table FUR-5-D — Freedom 90 Direct/Non-Direct Vent, Single Stage, One or Two Pipe, Downflow/Horizontal Right Condensing Gas Furnace (115/1/60)

Unit Model No.	Airflow In Tons	Nominal Output (Btuh)	ICS ^① ② AFUE	Flue Size (in)	Ignition Device	Uncrated Dimensions (in.) H x W x D	Shipping Weight (lbs.)	Max Fuse*	Filter**
ADX1B040A9241A	2	38,000	91.0	2, 2 1/2, 3	Silicon Nitride	40 x 17 1/2 x 28	145	15	(2) 14 x 20 x 1
ADX1B060A9361A	3	56,000	91.0	2, 2 1/2, 3	Silicon Nitride	40 x 17 1/2 x 28	155	15	(2) 14 x 20 x 1
ADX1B080A9421A	3 1/2	74,000	91.0	2, 2 1/2, 3	Silicon Nitride	40 x 17 1/2 x 28	168	15	(2) 14 x 20 x 1
ADX1C100A9481A	4	94,000	91.0	2 1/2-3	Silicon Nitride	40 x 21 x 28	185	20	(2) 16 x 20 x 1
ADX1D120A9601A	5	112,000	91.0	2 1/2-3	Silicon Nitride	40 x 24 1/2 x 28	206	20	(2) 16 x 20 x 1

① Isolated Combustion System.

② Energy Star.

* Information subject to change. Please confirm with current Product Data/Service Facts for current factory production.

** Filters are not shipped with furnace.

American Standard 90 Convertible Gas Furnaces

**Table FUR-6-A — American Standard 90 Direct/Non-Direct Vent, Single Stage, One or Two Pipe, Upflow/
Horizontal Left Condensing Gas Furnace (115/1/60)**

Unit Model No.	Airflow In Tons	Nominal Output (Btuh)	AFUE ^②	Flue Size (in)	Ignition Device	Uncrated Dimensions (in.) H x W x D	Shipping Weight (lbs.)	Max Fuse*	Filter** Sizes
AUC1B040A9241A	2	38,000	92.1	2, 2½, 3	Silicon Carbide	40 x 17½ x 28	139	15	17 x 25 x 1
AUC1B060A9361A	3	56,000	92.1	2, 2½, 3	Silicon Carbide	40 x 17½ x 28	150	15	17 x 25 x 1
AUC1B080A9421A	3½	74,000	92.1	2, 2½, 3	Silicon Carbide	40 x 17½ x 28	158	15	17 x 25 x 1
AUC1C100A9481A	4	94,000	92.1	2½, 3	Silicon Carbide	40 x 21 x 28	171	20	20 x 25 x 1
AUC1D100A9601A	5	93,000	92.1	2½, 3	Silicon Carbide	40 x 24½ x 28	197	20	24 x 25 x 1
AUC1D120A9601A	5	113,000	92.1	2½, 3	Silicon Carbide	40 x 24½ x 28	205	20	24 x 25 x 1

**Table FUR-6-B — American Standard 90 Direct/Non-Direct Vent, Single Stage, One or Two Pipe, Downflow/
Horizontal Right Condensing Gas Furnace (115/1/60)**

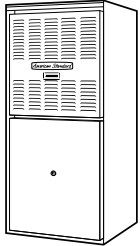
Unit Model No.	Airflow In Tons	Nominal Output (Btuh)	AFUE ^②	Flue Size (in)	Ignition Device	Uncrated Dimensions (in.) H x W x D	Shipping Weight (lbs.)	Max Fuse*	Filter** Sizes
ADC1B040A9241A	2	38,000	91.0	2, 2½, 3	Silicon Carbide	40 x 17½ x 28	145	15	(2) 14 x 20 x 1
ADC1B060A9361A	3	56,000	91.0	2, 2½, 3	Silicon Carbide	40 x 17½ x 28	155	15	(2) 14 x 20 x 1
ADC1B080A9421A	3½	74,000	91.0	2, 2½, 3	Silicon Carbide	40 x 17½ x 28	168	15	(2) 14 x 20 x 1
ADC1C100A9481A	4	93,000	91.0	2½, 3	Silicon Carbide	40 x 21 x 28	185	20	(2) 16 x 20 x 1
ADC1D120A9601A	5	112,000	91.0	2½, 3	Silicon Carbide	40 x 24½ x 28	206	20	(2) 16 x 20 x 1

① Isolated Combustion System.

② Energy Star.

* Information subject to change. Please confirm with current Product Data/Service Facts for current factory production.

** Filters are not shipped with furnace.



American Standard 90

Freedom 95, 90 and American Standard 90 Convertible Gas Furnaces

Airflow Directions:

Downflow models when placed in horizontal position provide left to right airflow. Upflow models when placed in horizontal position provide right to left airflow.

Table FUR-7-A — Features

	AUH3/ADH3 3 Stage 1 or 2 Pipe	AUH2/ADH2 2 Stage 1 or 2 Pipe	AUX2 2 Stage 1 or 2 Pipe Comfort-R™	AUY/ADY 2 Stage 1 or 2 Pipe Variable Speed	AUX2/ADX2 2 Stage 1 or 2 Pipe	AUX1/ADX1 1 Stage 1 or 2 Pipe High Efficiency	AUX1/ADX1 1 Stage 1 or 2 Pipe	AUC1/ADC1 1 Stage 1 or 2 Pipe
• Comfort-R™ enhanced mode (cooling)	✓	✓	✓	✓	—	—	—	—
• AccuLink™ communicating only furnace design ..	✓	—	—	—	—	—	—	—
• Adjustable heating fan off timing	✓	✓	✓	✓	✓	✓	✓	✓
• Alternate bottom/left/right return air (upflow only) ..	✓	✓	—	✓	✓	✓	✓	✓
• Blower door safety switch	✓	✓	✓	✓	✓	✓	✓	✓
• Bottom panel	✓	✓	✓	✓	✓	✓	✓	✓
• Cleanable/Reusable high velocity filters	✓	✓	—	✓	—	✓	—	—
• Complete front service access	✓	✓	✓	✓	✓	✓	✓	✓
• Direct drive, multi-speed motor	—	—	—	—	✓	✓	✓	✓
• Direct drive high efficiency, multi-speed motor	—	—	—	—	—	✓	—	—
• Direct drive, ECM™ variable speed blower motor	✓	✓	✓	✓	—	—	—	—
• Downflow horizontal right (downflow models only)	ADH3	ADH2	—	ADY	ADX2	ADX1	ADX1	ADC1
• Dual PVC pipe venting (1 or 2 pipe option)	✓	✓	✓	✓	—	✓	✓	✓
• Three stage combination gas valve and regulator	✓	—	—	—	—	—	—	—
• Two stage combination gas valve and regulator ...	—	✓	✓	—	✓	—	—	—
• One stage combination gas valve and regulator ...	—	—	—	—	—	✓	—	✓
• Gasketed blower door	✓	✓	✓	✓	✓	✓	✓	✓
• Heavy gauge reinforced wrap-around steel cabinet	✓	✓	✓	✓	✓	✓	✓	✓
• Hinged blower door	✓	✓	—	✓	✓	✓	✓	—
• Humidifier/EAC hook-up capability	✓	✓	✓	✓	✓	✓	✓	✓
• Inner blower door panel, downflow models only ...	✓	ADH2	—	ADY	ADX2	ADX1	ADX1	ADC1
• Insulated blower compartment 4 sides	✓	✓	✓	✓	✓	✓	✓	✓
• Internal filter rack	AUH3	AUH2	—	—	—	AUX1	—	✓
• Left/right condensate drain capability in vertical application	✓	✓	✓	✓	✓	—	✓	✓
• Lite Port™/Stored diagnostics	✓	✓	✓	✓	✓	—	—	—
• Mobile home approved w/BAYMFGH100A	—	✓	✓	✓	✓	✓	✓	✓
• Multi-port in shot burners	✓	✓	✓	✓	✓	✓	✓	✓
• Painted cabinet single color	—	—	—	—	—	—	—	✓
• Painted cabinet two tone color	✓	✓	✓	✓	✓	✓	✓	—
• Service diagnostic capabilities	✓	✓	✓	✓	✓	✓	✓	✓
• Slide out blower assembly	✓	✓	✓	✓	✓	✓	✓	✓
• Side return duct starter tabs	✓	✓	—	—	✓	✓	✓	✓
• Silicon Carbide hot surface igniter with adaptive heat up	—	—	—	—	—	—	—	✓
• Silicon Nitride hot surface igniter with adaptive heat up	✓	✓	✓	✓	✓	✓	✓	—
• Single wire twinning	—	—	—	—	✓	✓	✓	—
• Solid burner door (quiet operation)	✓	✓	✓	✓	✓	✓	✓	—
• 20 gauge aluminized steel heat exchanger	✓	✓	✓	✓	✓	✓	✓	✓
• 24 volt secondary fuse	✓	✓	✓	✓	✓	✓	✓	✓
• Two heating blower speeds	✓	✓	✓	✓	✓	—	—	—
• Type 29-4C™ stainless steel secondary heat exchanger	✓	✓	✓	✓	✓	✓	✓	✓
• Upflow horizontal left (upflow models only)	AUH3	AUH2	✓	AUY	AUX2	AUX1	AUX1	AUC1
• Variable Speed venter motor	✓	✓	✓	✓	✓	—	—	—
• Limited lifetime heat exchanger warranty to original owner and 20-years to succeeding homeowner from date of installation	✓	✓	✓	✓	✓	✓	✓	—
• 20-year heat exchanger warranty	—	—	—	—	—	—	—	✓
• 5-year limited warranty on parts*	✓	✓	✓	✓	✓	✓	✓	✓

Note: Variable speed furnaces should not be twinned and are not approved for twinning applications.
Note: Freedom 90 furnace with integrated AccuClean™ technology is upflow or upflow/horizontal application only.

Freedom 95, 90 and American Standard 90 Convertible Gas Furnaces

Airflow Directions:

Downflow models when placed in horizontal position provide left to right airflow. Upflow models when placed in horizontal position provide right to left airflow.

Table FUR-8-A — Optional Accessories

	AUH3/ADH3 3 Stage 1 or 2 Pipe	AUH2/ADH2 2 Stage 1 or 2 Pipe	AUX2 2 Stage 1 or 2 Pipe Comfort-R™	AUY/ADY 2 Stage 1 or 2 Pipe Variable Speed	AUX2/ADX2 2 Stage 1 or 2 Pipe	AUX1/ADX1 1 Stage 1 or 2 Pipe High Efficiency	AUX1/ADX1 1 Stage 1 or 2 Pipe	AUC1/ADC1 1 Stage 1 or 2 Pipe
BAY69X146 Horizontal vent cap (Noryl)	✓	✓	✓	—	—	—	—	✓
BAY69X147 Wall mount flange – 3"	✓	✓	✓	✓	✓	✓	✓	✓
BAY69X148 Wall mount flange – 2"	✓	✓	✓	✓	✓	✓	✓	✓
BAYBASE205 Downflow subbase	✓	✓	—	✓	✓	✓	✓	✓
BAYFLTR200 External side filter rack	✓	✓	—	✓	✓	✓	✓	✓
BAYFLTR203 Filter kit horiz conversion for 17.5" cabinet	✓	✓	—	✓	✓	✓	✓	✓
BAYFLTR204 Filter kit horiz conversion for 21" cabinet	✓	✓	—	✓	✓	✓	✓	✓
BAYFLTR205 Filter kit horiz conversion for 24.5" cabinet	✓	✓	—	✓	✓	✓	✓	✓
BAYFLTR206 Filter kit	—	—	—	✓	✓	—	✓	✓
BAYFLTR317① Cleanable filter for 17.5" cabinet upflow only	✓	✓	—	✓	✓	✓	✓	✓
BAYFLTR321① Cleanable filter for 21" cabinet upflow only	✓	✓	—	✓	✓	✓	✓	✓
BAYFLTR324① Cleanable filter for 24.5" cabinet upflow only	✓	✓	—	✓	✓	✓	✓	✓
BAYLPKT210B Propane conversion kit	—	✓	✓	✓	✓	✓	✓	✓
BAYLPKT220A Propane conversion kit	✓	—	—	—	—	—	—	—
BAYLPSS210B LP Kit with Stainless Steel Burners	—	✓	✓	✓	✓	✓	✓	✓
BAYLPSS220A LP Kit with Stainless Steel Burners	✓	—	—	—	—	—	—	—
BAYMFGH100A Manufactured/mobil home kit	—	✓	✓	✓	✓	✓	✓	✓
BAYRACK960A Filter rack kit for upflow models only (internal)②	AUH3	AUH2	—	AUY	AUX2	AUX1	AUX1	AUC1
BAYAIR30AVENTA Concentric vent kit for 2, 2½ and 3" vent system	✓	✓	✓	✓	✓	✓	✓	✓
BAYVENT200B Sidewall vent Termination Kit for Direct vent furnaces	✓	✓	✓	✓	✓	✓	✓	✓
ACONT900AC43UA . Communicating Comfort Control .	✓	—	—	—	—	—	—	—

① Contains one (1) high velocity filter.

② Internal filter rack for side or bottom return air. Includes 17 x 25" cleanable filter for use in side return applications. Bottom return applications require different sizes of filters which are not included. Airflow requirements over 1800 CFM require filters on both sides or a side and bottom or bottom only.

Note: Variable speed furnaces should not be twinned and are not approved for twinning applications.

Note: Freedom 90 furnace with integrated AccuClean™ technology is upflow or upflow/horizontal application only.

Table FUR-9-A — High Altitude Pressure Switch 90%

Model Number	Description	Used With	Shipping Weight
BAYHALT225	1 Switch	AUC080,100C948,120C, ADC080,120C	2
BAYHALT226	1 Switch	AUC,ADC060C	2
BAYHALT227	1 Switch	AUC100C948	2
BAYHALT228	1 Switch	AUC/ADC040C	2
BAYHALT230	1 Switch	AUX/ADX040C, AUX1B040,D100/ADX1B040	2
BAYHALT231	1 Switch	AUX060C, AUX1060C	2
BAYHALT232	1 Switch	AUX080C, AUX1B080C	2
BAYHALT233	1 Switch	AUX100,120C/ADX080,120C, AUX1C100,D120/ADX1B080,D120	2
BAYHALT234	1 Switch	ADX100C, ADX1C100	2
BAYHALT241	1 Switch	ADX060C, ADX1B060	2
BAYHALT245	2 Switches	ADX/AUX/ADY/AUY060-R	2
BAYHALT246	2 Switches	ADX/AUX/ADY/AUY080,100-R	2
BAYHALT247	2 Switches	ADX/AUX/ADY/AUY120-R	2
BAYHALT248	1 Switch	AUD1/ADD1,AUE1/ADE	2
BAYHALT249	1 Switch	AUD2,AUD-R-K,ADD-R-F,ADD2	2

Table FUR-9-B — High Altitude Pressure Switch 90%

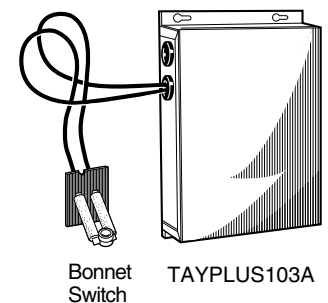
Model Number	Description	Used With	Shipping Weight
BAYSWT09AHALTA	1 Switch	AUC1B040,AUC1D100,ADC1B040, AUX1B040,AUX1D100,ADX1B040	2
BAYSWT02AHALTA	1 Switch	AUC1B060,AUX1B060	2
BAYSWT03AHALTA	1 Switch	AUC1B080,AUX1B080	2
BAYSWT04AHALTA	1 Switch	AUC1C100,AUC1D120,ADC1B080, ADC1D120,AUX1C100,AUX1D120, ADX1B080,ADX1D120	2
BAYSWT05AHALTA	1 Switch	ADC1C100,ADX1C100	2
BAYSWT06AHALTA	1 Switch	ADC1B060,ADX1B060	2
BAYSWT07AHALTA	1 Switch	AUH3B060,ADH3B060,AUX2B060,ADX2B060,AUY060R,ADY060R	2
BAYSWT08AHALTA	1 Switch	AUX2B080,AUX2C100,ADX2B080,ADX2C100, AUY120R, ADY120R, AUH2B080,ADH2B080,AUH2C100,ADH2C100,AUH2D120, ADH2D120,AUH3D120,ADH3D120	2
BAYSWT09AHALTA	1 Switch	AUX2D120,ADX2D120,AUY080R, ADY080R, AUY100R, ADY100R, AUH3B080, ADH3B080, AUH3C100, ADH3C100	2
BAYSWT10AHALTA	1 Switch	AUH2B060A,ADH2B060A	2
BAYSWT01AMALTB	1 Switch	AUX1	2

- All 2 stage furnace changed from two separate pressure switches to one piggy back switch.
- This change occurred beginning with serial number 6151.**
- The high altitude pressure switches are now piggy back.
- The new piggy back switches are not interchangeable with the original two switch design.
- The pressure switch mounting plate is different for the piggy back switches.

Table FUR-9-C — Dual Fuel Heat Pump Control Kit^{①②}

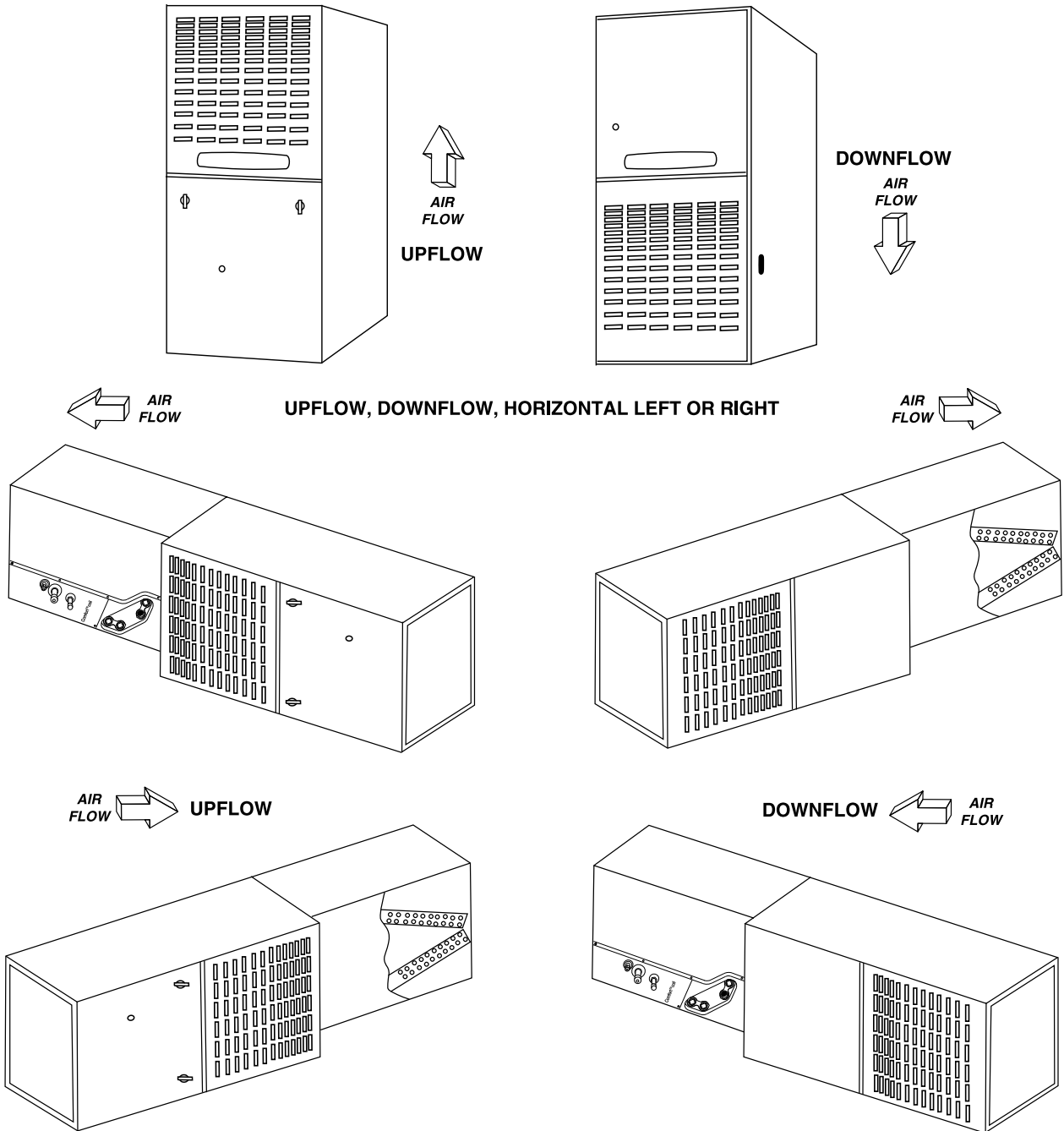
Model Number	Case Height	Used With
TAYPLUS103A	Heat Pump Control Kit	Gas, LP., Oil and Electric Furnaces
TAYSTAT250B	Outdoor Thermostat	TAYPLUS103A for Restricted Mode

- ① Factory wired for non-restricted mode, can be wired for restricted mode.
- ② Applicable for all furnaces with 35 VA or larger low voltage transformer (separate high voltage power not required).



Freedom 80* and American Standard 80 Gas Furnaces

Airflow Directions



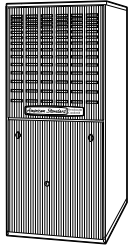
Note: The non-condensing, forty inch (40") height furnaces may be laid on either side for horizontal application. Connection brackets for coil/furnace alignment are included with the furnaces. The apex of the coil may point into or away from the airflow.
*Freedom 80 furnace with integrated AccuClean™ technology is upflow or upflow/horizontal application only.

Freedom 80 Convertible Gas Furnaces

Table FUR-11-A — Freedom 80 Comfrot-R™ Two-Stage, Upflow/Horizontal, Left or Right Induced Draft Gas Furnace with Whole House Air Cleaner (115/1/60)

Unit Model No.	Airflow In	Output (Btuh)		ICS [Ⓞ] AFUE	Flue Size (in)	Ignition Device	Uncrated Dimensions (in.) H x W x D	Shipping Weight (lbs.)	Max Fuse*	Filter*** Sizes
	Tons	Stage 2	Stage 1							
AUD2B060AFV32A	3	48,000	31,200	80.0	4	Silicon Nitride	40 x 17½ x 28	136	15	17 x 25 x 1
AUD2B080AFV32A	3	64,000	41,600	80.0	4	Silicon Nitride	40 x 17½ x 28	142	15	17 x 25 x 1
AUD2C080AFV42A	4	64,000	41,600	80.0	4	Silicon Nitride	40 x 21 x 28	166	15	17 x 25 x 1
AUD2B100AFV32A	3	80,000	52,000	80.0	4	Silicon Nitride	40 x 17½ x 28	142	15	17 x 25 x 1
AUD2D120AFV52A	5	97,000	62,400	80.0	4	Silicon Nitride	40 x 24½ x 28	193	20	24 x 25 x 1

Note: Variable speed furnaces should not be twinned and are not approved for twinning applications.

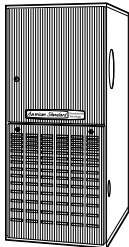


Freedom 80

Table FUR-11-B — Freedom 80 Variable Speed, Two-Stage, Upflow/Horizontal Left or Right Induced Draft Gas Furnace (115/1/60)

Unit Model No.	Airflow In	Output (Btuh)		AFUE	Flue Size (in)	Ignition Device	Uncrated Dimensions (in.) H x W x D	Shipping Weight (lbs.)	Max Fuse*	Filter Sizes
	Tons	Stage 2	Stage 1							
AUD060R9V3K	3	48,000	31,200	80.0	4	Silicon Nitride	40 x 17½ x 28	136	15	17 x 25 x 1
AUD080R9V3K	3	64,000	41,600	80.0	4	Silicon Nitride	40 x 17½ x 28	142	15	17 x 25 x 1
AUD080R9V4K	4	64,000	41,600	80.0	4	Silicon Nitride	40 x 21 x 28	166	20	17 x 25 x 1
AUD100R9V3K	3	80,000	52,000	80.0	4	Silicon Nitride	40 x 17½ x 28	142	15	17 x 25 x 1
AUD100R9V5K	5	79,000	52,000	80.0	4	Silicon Nitride	40 x 21 x 28	166	20	20 x 25 x 1
AUD120R9V5K	5	97,000	62,400	80.0	4	Silicon Nitride	40 x 24½ x 28	193	20	24 x 25 x 1
AUD140R9V5K	5	111,000	72,800	80.0	4	Silicon Nitride	40 x 24½ x 28	197	20	24 x 25 x 1

Note: Variable speed furnaces should not be twinned and are not approved for twinning applications.



Freedom 80

Table FUR-11-C — Freedom 80 Variable Speed, Two-Stage, Downflow/Horizontal Left or Right Induced Draft Gas Furnace (115/1/60)

Unit Model No.	Airflow In	Output (Btuh)		AFUE	Flue Size (in)	Ignition Device	Uncrated Dimensions (in.) H x W x D	Shipping Weight (lbs.)	Max Fuse*	Filter Sizes
	Tons	Stage 2	Stage 1							
ADD060R9V3F	3	48,000	31,200	80.0	4	Silicon Nitride	40 x 17½ x 28	140	15	(2) 14 x 20 x 1
ADD080R9V3F	3	63,000	41,600	80.0	4	Silicon Nitride	40 x 17½ x 28	146	15	(2) 14 x 20 x 1
ADD100R9V5F	5	81,000	52,000	80.0	4	Silicon Nitride	40 x 21 x 28	166	20	(2) 16 x 20 x 1
ADD120R9V5F	5	95,000	62,400	80.0	4	Silicon Nitride	40 x 24½ x 28	197	20	(2) 16 x 20 x 1

Ⓞ Isolated Combustion System.

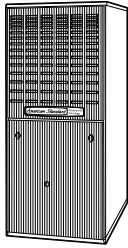
Note: Variable speed furnaces should not be twinned and are not approved for twinning applications.

* Information subject to change. Please confirm with current Product Data/Service Facts for current factory production.

** Ship with filter sizes. May be trimmed for bottom return.

*** Filters are not shipped with furnace.

Freedom 80 Convertible Gas Furnaces



Freedom 80

Table FUR-12-A — Freedom 80 Two-Stage, Upflow/Horizontal, Left or Right Induced Draft Gas Furnace (115/1/60)

Unit Model No.	Airflow In	Output (Btuh)		ICS [Ⓞ] AFUE	Flue Size (in)	Ignition Device	Uncrated Dimensions (in.) H x W x D	Shipping Weight (lbs.)	Max Fuse*	Filter*** Sizes
	Tons	Stage 2	Stage 1							
AUD2A040A9242A	2	32,000	20,800	80.0	4	Silicon Nitride	40 x 14 ¹ / ₂ x 28	119	15	17 x 25 x 1
AUD2A060A9362A	3	47,000	31,200	80.0	4	Silicon Nitride	40 x 14 ¹ / ₂ x 28	127	15	17 x 25 x 1
AUD2B060A9362A	3	47,000	31,200	80.0	4	Silicon Nitride	40 x 17 ¹ / ₂ x 28	132	15	17 x 25 x 1
AUD2B080A9362A	3	63,000	41,600	80.0	4	Silicon Nitride	40 x 17 ¹ / ₂ x 28	142	15	17 x 25 x 1
AUD2B080A9482A	4	63,000	41,600	80.0	4	Silicon Nitride	40 x 17 ¹ / ₂ x 28	142	15	17 x 25 x 1
AUD2B100A9362A	3	79,000	52,000	80.0	4	Silicon Nitride	40 x 17 ¹ / ₂ x 28	151	15	17 x 25 x 1
AUD2C100A9482A	4	79,000	52,000	80.0	4	Silicon Nitride	40 x 21 x 28	162	15	20 x 25 x 1
AUD2C100A9602A	5	80,000	52,000	80.0	4	Silicon Nitride	40 x 21 x 28	162	20	20 x 25 x 1
AUD2D100A9602A	5	80,000	52,000	80.0	4	Silicon Nitride	40 x 24 ¹ / ₂ x 28	175	20	24 x 25 x 1
AUD2C120A9542A	5	95,000	62,400	80.0	4	Silicon Nitride	40 x 21 x 28	176	20	20 x 25 x 1
AUD2D120A9602A	5	95,000	62,400	80.0	4	Silicon Nitride	40 x 24 ¹ / ₂ x 28	186	20	24 x 25 x 1
AUD2D140A9602A	5	112,000	72,800	80.0	4	Silicon Nitride	40 x 24 ¹ / ₂ x 28	192	20	24 x 25 x 1



Freedom 80

Table FUR-12-B — Freedom 80 Two-Stage, Downflow/Horizontal Left or Right Induced Draft (115/1/60)

Unit Model No.	Airflow In	Output (Btuh)		ICS [Ⓞ] AFUE	Flue Size (in)	Ignition Device	Uncrated Dimensions (in.) H x W x D	Shipping Weight (lbs.)	Max Fuse*	Filter*** Sizes
	Tons	Stage 2	Stage 1							
ADD2A040A9242A	2	32,000	20,800	80.0	4	Silicon Nitride	40 x 14 ¹ / ₂ x 28	125	15	(2) 14 x 20 x 1
ADD2A060A9362A	3	47,000	31,200	80.0	4	Silicon Nitride	40 x 14 ¹ / ₂ x 28	135	15	(2) 14 x 20 x 1
ADD2B060A9362A	3	48,000	31,200	80.0	4	Silicon Nitride	40 x 17 ¹ / ₂ x 28	140	15	(2) 14 x 20 x 1
ADD2B080A9362A	3	64,000	41,600	80.0	4	Silicon Nitride	40 x 17 ¹ / ₂ x 28	152	15	(2) 14 x 20 x 1
ADD2B100A9482A	4	79,000	52,000	80.0	4	Silicon Nitride	40 x 17 ¹ / ₂ x 28	157	15	(2) 14 x 20 x 1
ADD2C100A9482A	4	79,000	52,000	80.0	4	Silicon Nitride	40 x 21 x 28	166	15	(2) 16 x 20 x 1
ADD2C100A9602A	5	79,000	52,000	80.0	4	Silicon Nitride	40 x 21 x 28	168	20	(2) 16 x 20 x 1
ADD2D120A9602A	5	94,000	62,400	80.0	4	Silicon Nitride	40 x 24 ¹ / ₂ x 28	189	20	(2) 16 x 20 x 1
ADD2D140A9602A	5	112,000	72,800	80.0	4	Silicon Nitride	40 x 24 ¹ / ₂ x 28	196	20	(2) 16 x 20 x 1

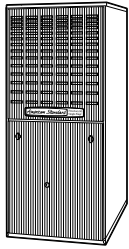
Ⓞ Isolated Combustion System.

* Information subject to change. Please confirm with current Product Data/Service Facts for current factory production.

** Ship with filter sizes. May be trimmed for bottom return.

*** Filters are not shipped with furnace.

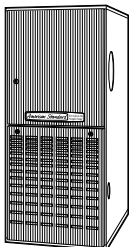
Freedom 80 Convertible Gas Furnaces



Freedom 80

Table FUR-13-A — Freedom 80 Single Stage, Upflow Horizontal, Left or Right Induced Draft Gas Furnace (115/1/60)

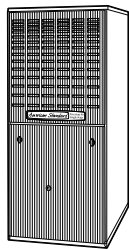
Unit Model No.	Airflow In Tons	Nominal Output (Btuh)	AFUE	Flue Size (in.)	Ignition Device	Uncrated Dimensions (in.) H x W x D	Shipping Weight (lbs.)	Max Fuse*	Filter Sizes
AUD1A040A9H21B	2	32,000	80.0	4	Silicon Nitride	40 x 14 ¹ / ₂ x 28	119	15	17 x 25 x 1
AUD1B060A9H31B	3	47,000	80.0	4	Silicon Nitride	40 x 17 ¹ / ₂ x 28	127	15	17 x 25 x 1
AUD1B080A9H31B	3	63,000	80.0	4	Silicon Nitride	40 x 17 ¹ / ₂ x 28	142	15	17 x 25 x 1
AUD1C080A9H41B	4	64,000	80.0	4	Silicon Nitride	40 x 21 x 28	142	20	20 x 25 x 1
AUD1B100A9H31B	3	79,000	80.0	4	Silicon Nitride	40 x 17 ¹ / ₂ x 28	151	20	17 x 25 x 1
AUD1C100A9H51B	5	79,000	80.0	4	Silicon Nitride	40 x 21 x 28	162	20	20 x 25 x 1
AUD1D120A9H51B	5	96,000	80.0	4	Silicon Nitride	40 x 24 ¹ / ₂ x 28	186	20	24 x 25 x 1
AUD1D140A9H51B	5	111,000	80.0	4	Silicon Nitride	40 x 24 ¹ / ₂ x 28	193	20	24 x 25 x 1



Freedom 80

Table FUR-13-B — Freedom 80 Single Stage, Downflow Horizontal, Left or Right Induced Draft Gas Furnace (115/1/60)

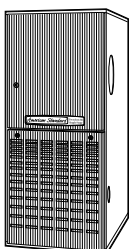
Unit Model No.	Airflow In Tons	Nominal Output (Btuh)	AFUE	Flue Size (in.)	Ignition Device	Uncrated Dimensions (in.) H x W x D	Shipping Weight (lbs.)	Max Fuse*	Filter Sizes
ADD1B060A9H31B	3	48,000	80.0	4	Silicon Nitride	40 x 17 ¹ / ₂ x 28	129	15	(2) 14 x 20 x 1
ADD1B080A9H31B	3	64,000	80.0	4	Silicon Nitride	40 x 17 ¹ / ₂ x 28	146	15	(2) 14 x 20 x 1
ADD1C100A9H51B	5	81,000	80.0	4	Silicon Nitride	40 x 21 x 28	167	20	(2) 16 x 20 x 1
ADD1D120A9H51B	5	96,000	80.0	4	Silicon Nitride	40 x 24 ¹ / ₂ x 28	189	20	(2) 16 x 20 x 1



Freedom 80

Table FUR-13-C — Freedom 80 Single Stage, Upflow/Horizontal Left or Right Induced Draft Gas Furnace (115/1/60)

Unit Model No.	Airflow In Tons	Nominal Output (Btuh)	AFUE	Flue Size (in.)	Ignition Device	Uncrated Dimensions (in.) H x W x D	Shipping Weight (lbs.)	Max Fuse*	Filter** Sizes
AUD1A040A9241A	2	32,000	80.0	4	Silicon Nitride	40 x 14 ¹ / ₂ x 28	119	15	17 x 25 x 1
AUD1A040A9301A	2 ¹ / ₂	32,000	80.0	4	Silicon Nitride	40 x 14 ¹ / ₂ x 28	122	15	17 x 25 x 1
AUD1A060A9241A	2	47,000	80.0	4	Silicon Nitride	40 x 14 ¹ / ₂ x 28	124	15	17 x 25 x 1
AUD1A060A9361A	3	47,000	80.0	4	Silicon Nitride	40 x 14 ¹ / ₂ x 28	127	15	17 x 25 x 1
AUD1B060A9361A	3	47,000	80.0	4	Silicon Nitride	40 x 17 ¹ / ₂ x 28	132	15	17 x 25 x 1
AUD1B080A9241A	2	64,000	80.0	4	Silicon Nitride	40 x 17 ¹ / ₂ x 28	139	15	17 x 25 x 1
AUD1B080A9361A	3	63,000	80.0	4	Silicon Nitride	40 x 17 ¹ / ₂ x 28	142	15	17 x 25 x 1
AUD1B080A9481A	4	64,000	80.0	4	Silicon Nitride	40 x 17 ¹ / ₂ x 28	142	15	17 x 25 x 1
AUD1C080A9601A	5	64,000	80.0	4	Silicon Nitride	40 x 21 x 28	154	20	20 x 25 x 1
AUD1B100A9361A	3	79,000	80.0	4	Silicon Nitride	40 x 17 ¹ / ₂ x 28	151	15	17 x 25 x 1
AUD1B100A9451A	4	80,000	80.0	4	Silicon Nitride	40 x 17 ¹ / ₂ x 28	153	15	17 x 25 x 1
AUD1C100A9481A	4	79,000	80.0	4	Silicon Nitride	40 x 21 x 28	162	15	20 x 25 x 1
AUD1C100A9601A	5	79,000	80.0	4	Silicon Nitride	40 x 21 x 28	162	20	20 x 25 x 1
AUD1D100A9721A	6	80,000	80.0	4	Silicon Nitride	40 x 24 ¹ / ₂ x 28	175	20	24 x 25 x 1
AUD1C120A9541A	5	96,000	80.0	4	Silicon Nitride	40 x 21 x 28	176	20	20 x 25 x 1
AUD1D120A9601A	5	96,000	80.0	4	Silicon Nitride	40 x 24 ¹ / ₂ x 28	186	20	24 x 25 x 1
AUD1D140A9601A	5	111,000	80.0	4	Silicon Nitride	40 x 24 ¹ / ₂ x 28	193	20	24 x 25 x 1



Freedom 80

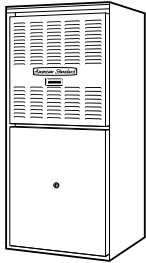
Table FUR-13-D — Freedom 80 Single Stage, Downflow/Horizontal Left or Right Induced Draft Gas Furnace (115/1/60)

Unit Model No.	Airflow In Tons	Nominal Output (Btuh)	AFUE	Flue Size (in.)	Ignition Device	Uncrated Dimensions (in.) H x W x D	Shipping Weight (lbs.)	Max Fuse*	Filter** Sizes
ADD1A040A9241A	2	31,000	78.0	4	Silicon Nitride	40 x 14 ¹ / ₂ x 28	119	15	(2) 14 x 20 x 1
ADD1A060A9241A	2	48,000	80.0	4	Silicon Nitride	40 x 14 ¹ / ₂ x 28	129	15	(2) 14 x 20 x 1
ADD1A060A9361A	3	48,000	80.0	4	Silicon Nitride	40 x 14 ¹ / ₂ x 28	129	15	(2) 14 x 20 x 1
ADD1B060A9361A	3	48,000	80.0	4	Silicon Nitride	40 x 17 ¹ / ₂ x 28	134	15	(2) 14 x 20 x 1
ADD1B080A9361A	3	64,000	80.0	4	Silicon Nitride	40 x 17 ¹ / ₂ x 28	146	15	(2) 14 x 20 x 1
ADD1B080A9451A	4	64,000	80.0	4	Silicon Nitride	40 x 17 ¹ / ₂ x 28	146	15	(2) 14 x 20 x 1
ADD1B100A9451A	4	80,000	80.0	4	Silicon Nitride	40 x 17 ¹ / ₂ x 28	156	15	(2) 14 x 20 x 1
ADD1C100A9481A	4	80,000	80.0	4	Silicon Nitride	40 x 21 x 28	166	15	(2) 16 x 20 x 1
ADD1C100A9541A	5	81,000	80.0	4	Silicon Nitride	40 x 21 x 28	167	20	(2) 16 x 20 x 1
ADD1C120A9541A	5	96,000	80.0	4	Silicon Nitride	40 x 21 x 28	177	20	(2) 16 x 20 x 1
ADD1D120A9601A	5	96,000	80.0	4	Silicon Nitride	40 x 24 ¹ / ₂ x 28	189	20	(2) 16 x 20 x 1
ADD1D140A9601A	5	113,000	80.0	4	Silicon Nitride	40 x 24 ¹ / ₂ x 28	196	20	(2) 16 x 20 x 1

* Information subject to change. Please confirm with current Product Data/Service Facts for current factory production.

** Filters are not shipped with furnace.

American Standard 80 Convertible Gas Furnaces



American Standard 80

Table FUR-14-A — American Standard 80 Single Stage, Upflow/Horizontal Left or Right Induced Draft Gas Furnace (115/1/60)

Unit Model No.	Airflow In Tons	Nominal Output (Btuh)	AFUE	Flue Size (in.)	Ignition Device	Uncrated Dimensions (in.) H x W x D	Shipping Weight (lbs.)	Max Fuse*	Filter** Sizes
AUE1A040A9241A	2	31,000	80.0	4	Silicon Carbide	40 x 14 ¹ / ₂ x 28	119	15	16 x 25 x 1
AUE1A060A9241A	2	47,000	80.0	4	Silicon Carbide	40 x 14 ¹ / ₂ x 28	124	15	16 x 25 x 1
AUE1A060A9361A	3	47,000	80.0	4	Silicon Carbide	40 x 14 ¹ / ₂ x 28	127	15	16 x 25 x 1
AUE1B060A9361A	3	47,000	80.0	4	Silicon Carbide	40 x 17 ¹ / ₂ x 28	132	15	17 x 25 x 1
AUE1B080A9361A	3	63,000	80.0	4	Silicon Carbide	40 x 17 ¹ / ₂ x 28	142	15	17 x 25 x 1
AUE1B080A9481A	4	64,000	80.0	4	Silicon Carbide	40 x 17 ¹ / ₂ x 28	142	15	17 x 25 x 1
AUE1B100A9361A	3	79,000	80.0	4	Silicon Carbide	40 x 17 ¹ / ₂ x 28	151	15	17 x 25 x 1
AUE1C100A9481A	4	79,000	80.0	4	Silicon Carbide	40 x 21 x 28	162	15	20 x 25 x 1
AUE1C100A9601A	5	79,000	80.0	4	Silicon Carbide	40 x 21 x 28	162	20	20 x 25 x 1
AUE1D120A9601A	5	96,000	80.0	4	Silicon Carbide	40 x 24 ¹ / ₂ x 28	186	20	24 x 25 x 1
AUE1D140A9601A	5	111,000	80.0	4	Silicon Carbide	40 x 24 ¹ / ₂ x 28	193	20	24 x 25 x 1

Table FUR-14-B — American Standard 80 Single Stage, Downflow/Horizontal Left or Right Induced Draft Gas Furnace (115/1/60)

Unit Model No.	Airflow In Tons	Nominal Output (Btuh)	AFUE	Flue Size (in.)	Ignition Device	Uncrated Dimensions (in.) H x W x D	Shipping Weight (lbs.)	Max Fuse*	Filter** Sizes
ADE1A060A9361A	3	48,000	80.0	4	Silicon Carbide	40 x 14 ¹ / ₂ x 28	129	15	(2) 14 x 20 x 1
ADE1B060A9361A	3	48,000	80.0	4	Silicon Carbide	40 x 17 ¹ / ₂ x 28	134	15	(2) 14 x 20 x 1
ADE1B080A9451A	4	64,000	80.0	4	Silicon Carbide	40 x 17 ¹ / ₂ x 28	146	15	(2) 14 x 20 x 1
ADE1B100A9451A	4	80,000	80.0	4	Silicon Carbide	40 x 17 ¹ / ₂ x 28	156	15	(2) 14 x 20 x 1
ADE1C100A9601A	5	81,000	80.0	4	Silicon Carbide	40 x 21 x 28	167	20	(2) 16 x 20 x 1
ADE1D120A9601A	5	96,000	80.0	4	Silicon Carbide	40 x 24 ¹ / ₂ x 28	189	20	(2) 16 x 20 x 1

* Information subject to change. Please confirm with current Product Data/Service Facts for current factory production.

** Filters are not shipped with furnace.

Freedom 80 and American Standard 80 Convertible Gas Furnaces

Table FUR-15-A — Features	AUD2 2 Stage Comfort-R™	AUD-R-V-K ADD-R-V-F 2-Stg. Variable Speed	AUD2/ADD2 2 Stage	AUD1/ADD1 1 Stage High Efficiency	AUD1/ADD1 1 Stage	AUE1/ADE1 1 Stage
• Comfort-R™ enhanced mode (cooling)	✓	✓	—	—	—	—
• Adjustable heating fan off timing	✓	✓	✓	✓	✓	✓
• Alternate bottom/left/right return air ^①	—	✓	✓	✓	✓	✓
• Attractive color accents	✓	✓	✓	✓	✓	—
• Blower door safety switch	✓	✓	✓	✓	✓	✓
• Bottom Panel ^①	✓	✓	✓	✓	✓	—
• Cleanable/reusable high velocity filters	—	✓	—	✓	—	—
• Common vent capability	✓	✓	✓	✓	✓	✓
• Complete front service access	✓	✓	✓	✓	✓	✓
• Direct drive, multi-speed motor	—	—	✓	✓	✓	✓
• Direct drive, ECM™ variable speed blower motor	✓	✓	—	—	—	—
• Gasketed blower door	✓	✓	✓	✓	✓	—
• Heavy gauge reinforced wrap-around steel cabinet	✓	✓	✓	✓	✓	✓
• Hinged blower door ^①	—	✓	✓	✓	✓	—
• Horizontal left/right without conversion required	✓	✓	✓	✓	✓	✓
• Humidifier/EAC hook-up capability	✓	✓	✓	✓	✓	—
• Inner blower door panel on downflow models only	—	✓	✓	✓	✓	✓
• Insulated blower compartment 4 sides ^①	✓	✓	✓	✓	✓	—
• Integrated solid state control w/self diagnostics	✓	✓	✓	✓	✓	✓
• Internal filter rack	—	✓	—	✓	—	—
• Left/right gas connection	✓	✓	✓	✓	✓	✓
• Manual reset flame roll out switches	✓	✓	✓	✓	✓	✓
• Masonry Chimney Venting w/BAYVENT800B	✓	✓	✓	✓	✓	—
• Multi-port in shot burners	✓	✓	✓	✓	✓	✓
• Painted cabinet single color	—	—	—	—	—	✓
• Perfect fit door latches ^①	✓	✓	✓	✓	✓	—
• Right or left hand side knock out for venting (downflow models only)	—	✓	✓	✓	✓	✓
• Selectable cooling fan off delay eliminates need for time delay relay BAY24X045	✓	✓	✓	✓	✓	✓
• Service diagnostic sight glass	✓	✓	✓	✓	✓	—
• Side return starter tabs	—	AUD	AUD2	AUD1	AUD1	AUE1
• Silicon Carbide hot surface igniter with adaptive heat up	—	—	—	—	—	✓
• Silicon Nitride hot surface igniter with adaptive heat up	—	✓	✓	✓	✓	—
• Single door filter access	✓	✓	✓	✓	✓	—
• Single wire twinning	—	—	✓	✓	✓	—
• Slide out blower assembly	✓	✓	✓	✓	✓	✓
• 3-way vent option on downflow models (top,right or left) (downflow only)	—	✓	✓	✓	✓	✓
• 20 gauge aluminized steel heat exchanger	✓	✓	✓	✓	✓	✓
• 24 volt secondary fuse	✓	✓	✓	✓	✓	✓
• Two heating blower speeds	✓	✓	✓	—	—	—
• Two speed venter motor	✓	✓	✓	—	—	—
• Two tone color	✓	✓	✓	✓	✓	—
• Two-stage gas valve	✓	✓	✓	—	—	—
• Non-prorated 20-year heat exchanger limited warranty (Residential only)*	✓	✓	✓	✓	✓	✓
• 5-year limited warranty on parts*	✓	✓	✓	✓	✓	✓

① Upflow only.

Note: Variable speed furnaces should not be twinned and are not approved for twinning applications.

Note: Freedom 80 furnace with integrated AccuClean™ integrated is upflow or upflow/horizontal application only.

Freedom 80 and American Standard 80 Convertible Gas Furnaces

Table FUR-16-A — Optional Accessories

	AUD2 2 Stage Comfort-R™	AUD-R-V-K ADD-R-V-F 2-Stg. Variable Speed	AUD2/ADD2 2 Stage	AUD1/ADD1 1 Stage High Efficiency	AUD1/ADD1 1 Stage	AUE1-ADE1 1 Stage
BAYBASE205 Downflow subbase for downflow models only	—	✓	✓	✓	✓	✓
BAYFLTR200 Side Filter Rack (External)	—	✓	✓	✓	AUD1	—
BAYFLTR203 Filter kit horiz conversion for 17.5" cabinet	—	✓	✓	✓	✓	✓
BAYFLTR204 Filter kit horiz conversion for 21" cabinet	—	✓	✓	✓	✓	✓
BAYFLTR205 Filter kit horiz conversion or 24.5" cabinet	—	✓	✓	✓	✓	✓
BAYFLTR206 Filter Access Door Kit	—	✓	✓	ADD1	ADD1	✓
BAYFLTR317Ⓞ Cleanable filter for 14.5" and 17.5" cabinet upflow only	—	—	✓	✓	✓	✓
BAYFLTR321Ⓞ Cleanable filter for 21" cabinet upflow only	—	✓	✓	✓	✓	✓
BAYFLTR324Ⓞ Cleanable filter for 24.5" cabinet upflow only	—	✓	✓	✓	✓	✓
BAYLPKT210B Propane conversion kit	✓	✓	✓	✓	✓	✓
BAYLPSS210B LP Kit with Stainless Steel Burners	✓	✓	✓	✓	✓	✓
BAYRACK960AⓄ Filter Rack Kit for upflow models only (internal)	—	AUD	AUD2	AUD1	AUD1	AUE1
BAYVENT800B Masonry chimney vent kit	✓	✓	✓	✓	✓	✓

Ⓞ Contains one (1) high velocity filter.

Ⓞ Internal filter rack for side or bottom return air. Includes 17 x 25" cleanable filter for use in side return applications. Bottom return applications require different sizes of filters which are not included. Airflow requirements over 1800 CFM require filters on both sides or a side and bottom or bottom only.

Note: Variable speed furnaces should not be twinned and are not approved for twinning applications.

Note: Freedom 80 furnace with integrated AccuClean™ integrated is upflow or upflow/horizontal application only.

Special Use Furnace Accessories

Table FUR-16-B — High Altitude Pressure Switch 80%

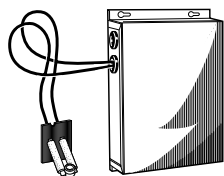
Model Number	Description	Used With	Shipping Weight
BAYHALT248	1 Switch	AUD1, ADD1, AUE1, ADE1	2
BAYHALT249	1 Switch	AUD-R-K, ADD-R-F, AUD2, ADD2	2

Table FUR-16-C — Dual Fuel Heat Pump Control Kit[Ⓞ][Ⓞ]

Model Number	Case Height	Used With
TAYPLUS103A	Heat Pump Control Kit	Gas, LP., Oil and Electric Furnaces
TAYSTAT250B	Outdoor Thermostat	TAYPLUS103A for Restricted Mode

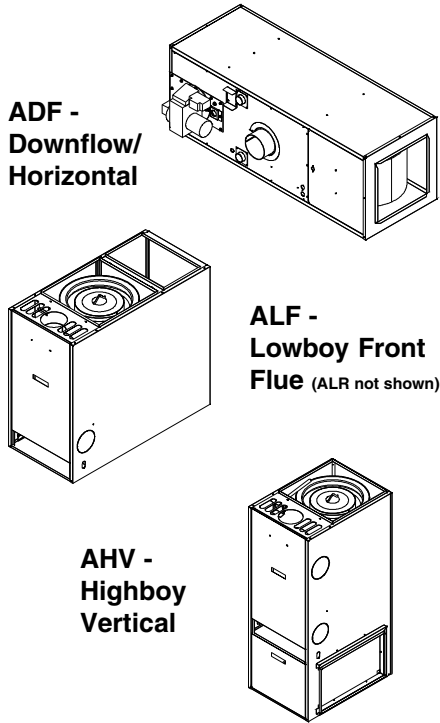
Ⓞ Factory wired for non-restricted mode, can be wired for restricted mode.

Ⓞ Applicable for all furnaces with 35 VA or larger low voltage transformer (separate high voltage power not required).



Bonnet Switch TAYPLUS103A

Variable Speed High Efficiency Oil Furnaces



- Up to 85% Annual Fuel Utilization Efficiency (AFUE)
- 13 gauge hot rolled steel wrap around heat exchanger for durability
- Beckett Flame Retention Burner operates cleanly and quietly
- Burner features include primary control with interrupted ignition for reliability, pre-purge and clean cutoff solenoid valve for smooth ignition
- Burner and controls factory wired
- Dual clean out ports for quick access and easy cleaning
- Insulated blower compartment
- Variable speed blower motor
- Slide out blower assembly for quick cleaning and service accessibility
- Filter rack with cleanable filter (Highboy & Lowboy Models only)
- Preformed ceramic fiber combustion chamber for higher efficiencies and more complete combustion
- 40 VA control transformer for add on cooling
- Heavy gauge, powder painted (two tone), steel cabinet
- Recessed door handles for easy removal of Highboy & lowboy Furnace doors
- Lowboy models available with front or rear flue option
- Highboy models with top or right side venting
- Downflow/Horizontal model field convertible from Downflow to right or left horizontal
- 6" Left and Right side fresh air knockouts – (Highboy and Lowboy Models only)
- Barometric draft regulator included
- **Limited lifetime heat exchanger warranty**
- **5-year limited parts warranty**

Table FUR-17-A — Specifications:

Model Number	Airflow In Tons (Nom.)	Nominal Cap-BTUH *Htg Output	ICS AFUE	Flue Size	Uncrated Dimensions(In.)			Shipping Weight
					H	W	D	
AHV1M087A9V3SA	3	87,000	82.9	6"	58	22.25	31	260
AHV1M087A9V5SA	5	87,000	82.6	6"	58	22.25	31	260
ALF1M087A9V3SA	3	87,000	82.9	6"	41.5	22.25	47	300
ALF1M087A9V5SA	5	87,000	82.7	6"	41.5	22.25	47	300
ALR1M087A9V3SA	3	87,000	85.0**	6"	41.5	22.25	47	300
ALR1M087A9V5SA	5	87,000	82.4	6"	41.5	22.25	47	300
ADF1M087A9V3SA	3	87,000	84.8**	6"	22.25	61.25	22.25	280
ADF1M087A9V5SA	5	87,000	82.6	6"	22.25	61.25	22.25	280

* Other input/output capacities are available by changing the burner nozzle. See installer's guide for details.

** Energy Star.

Table FUR-17-B — Accessories:

Model	Description	Used With	Shipping Weight
BAYSUB10ABASEA	Downflow Subbase	ADF1M087A9V3, 9V5SAA	22
BAYTRM10AVENTA	Top Panel & Trim Ring	AHV1M087A9V3, 9V5SAA	1

Table FUR-17-C — Dual Fuel Heat Pump Control Kit^{①②}

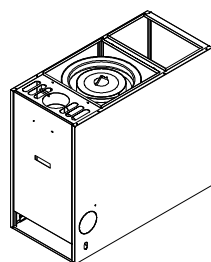
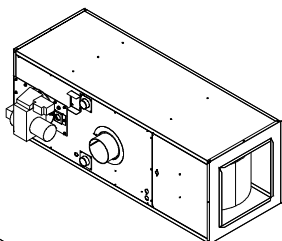
Model Number	Case Height	Used With
TAYPLUS103A	Heat Pump Control Kit	Gas, LP., Oil and Electric Furnaces
TAYSTAT250B	Outdoor Thermostat	TAYPLUS103A for Restricted Mode
THT1248	Bonnet Switch	Oil Furnaces Only (Order Separately)

① Factory wired for non-restricted mode, can be wired for restricted mode.

② Applicable for all furnaces with 35 VA or larger low voltage transformer (separate high voltage power not required).

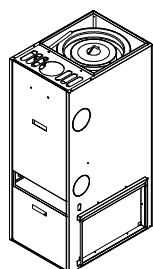
High Efficiency Oil Furnaces

**ADF -
Downflow/
Horizontal**



**ALF -
Lowboy Front
Flue (ALR not shown)**

**AHV -
Highboy
Vertical**



- Up to 85% Annual Fuel Utilization Efficiency (AFUE)
- 13 gauge hot rolled steel wrap around heat exchanger for durability
- Beckett Flame Retention Burner operates cleanly and quietly
- Burner features include primary control with interrupted ignition for reliability, pre-purge and clean cutoff solenoid valve for smooth ignition
- Burner and controls factory wired
- Dual clean out ports for quick access and easy cleaning
- Direct drive, permanently lubricated, 4 speed blower motor
- Insulated blower compartment
- Slide out blower assembly for quick cleaning and service accessibility
- Filter rack with washable filter (Highboy & Lowboy Models only)
- Preformed ceramic fiber combustion chamber for higher efficiencies and more complete combustion
- 40 VA control transformer for add on cooling
- Heavy gauge, powder painted (two tone), steel cabinet
- Recessed door handles for easy removal of Highboy & lowboy Furnace doors
- Lowboy models available with front or rear flue option
- Highboy models with top or right side venting
- Downflow/Horizontal model field convertible from Downflow to right or left horizontal
- 6" Left and Right side fresh air knockouts – (Highboy and Lowboy Models only)
- Barometric draft regulator included
- **Limited lifetime heat exchanger warranty**
- **5-year limited parts warranty**

Table FUR-18-A — Specifications:

Model Number	Airflow In Tons (Nom.)	Nominal Cap-BTUH *Htg Output	ICS AFUE	Flue Size	Uncrated Dimensions(In.)			Shipping Weight
					H	W	D	
AHV1M087A936SA	3	87,000	82.9	6"	58	22.25	31	260
AHV1M087A948SA	4	87,000	82.6	6"	58	22.25	31	260
ALF1M087A936SA	3	87,000	82.9	6"	41.5	22.25	47	300
ALF1M087A948SA	4	87,000	82.7	6"	41.5	22.25	47	300
ALR1M087A936SA	3	87,000	85.0**	6"	41.5	22.25	47	300
ALR1M087A948SA	4	87,000	82.4	6"	41.5	22.25	47	300
ADF1M087A936SA	3	87,000	84.8**	6"	22.25	61.25	22.25	280
ADF1M087A948SA	4	87,000	82.6	6"	22.25	61.25	22.25	280

* Other input/output capacities are available by changing the burner nozzle. See installer's guide for details.

** Energy Star.

Table FUR-18-B — Accessories:

Model	Description	Used With	Shipping Weight
BAYSUB10ABASEA	Downflow Subbase	ADF1M087A936, 948SAA	22
BAYTRM10AVENTA	Top Panel & Trim Ring	AHV1M087A936, 948SAA	1

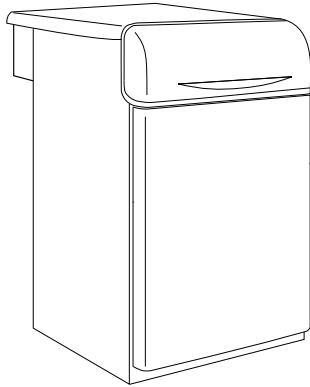
Table FUR-18-C — Dual Fuel Heat Pump Control Kit^{①②}

Model Number	Case Height	Used With
TAYPLUS103A	Heat Pump Control Kit	Gas, LP., Oil and Electric Furnaces
TAYSTAT250B	Outdoor Thermostat	TAYPLUS103A for Restricted Mode
THT1248	Bonnet Switch	Oil Furnaces Only (Order Separately)

① Factory wired for non-restricted mode, can be wired for restricted mode.

② Applicable for all furnaces with 35 VA or larger low voltage transformer (separate high voltage power not required).

Natural Draft Gas Fired Cast Iron Water Boiler



AGBWF

- Power supply 115/1/60
- Intermittent electronic ignition
- Built in draft hood
- Automatic vent damper included
- Factory installed boiler drain
- Rear utilities - easy connections
- Factory installed supply and return pipe nipples - NPT both ends
- Simplified field connections to terminal strip
- Controls and components enclosed in jacket
- Powder painted polyslate gray jacket
- Tool-less top and front access panel removal
- Control panel mounted power disconnect switch
- Tubular stainless steel burners
- Cast iron sections assembled with steel push nipples
- Field configurable circulator/burner operation
- Factory installed temperature pressure gauge
- Factory installed adjustable water thermostat
- Factory installed automatic resetting high limit
- Factory installed 30 PSI ASME relief valve
- Insulated heat exchanger
- Convertible to LP with orifice kit
- Optional manual reset high limit accessory (installation required)
- Annual fuel efficiency up to 83.6%
- **5-year limited parts warranty**
- **Limited lifetime heat exchanger warranty**
- **Optional extended warranties**

Table FUR-19-A — Specifications:

Model Number	Input (BTUH)	DOE Capacity (BTUH)	Net IBR (BTUH)	ICS AFUE	Flue Size	# Ht Exch. Sec.	Uncrated Dimensions(In.)			Shipping Weight
							H	W	D	
AGBWF090A93AVA ^①	90,000	76,000	66,000	83.6	5"	3	33.5	15.8	24.2	276
AGBWF130A94AVA ^①	130,000	111,000	96,000	83.5	6"	4	33.5	19.7	24.2	345
AGBWF173A95AVA ^①	173,000	145,000	126,000	83.4	6"	5	33.5	19.7	24.2	406
AGBWF215A96AVA ^①	215,000	180,000	156,000	83.3	7"	6	33.5	23.6	24.2	468

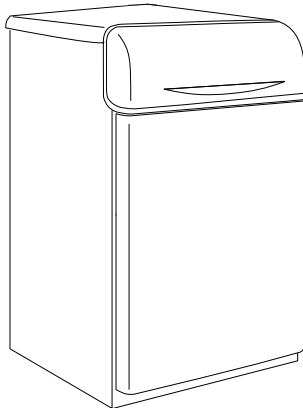
Table FUR-19-B — Accessories:

Model	Description	Shipping Weight
BAYLPK01AWBLRA	Natural Gas to Liquid Propane (LP) Conversion Kit	1
BAYLMT10AMRSTA	Manual Reset High Limit Temperature Control	1
BAYTRM10AVTVPA ^②	Trim Kit Includes 4.4 Gallon Expansion Tank, Fill Valve, Backflow Preventer (1" NPT) and Air Eliminator	18
BAYTRM20AVTVPA ^②	Trim Kit Includes 4.4 Gallon Expansion Tank, Fill Valve, Backflow Preventer (1-1/4" NPT) and Air Eliminator	18
BAYEXP30ATANKA ^②	4.4 Gallon Expansion Tank	4

^① Factory installed Natural Gas Orifices.

^② Honeywell brand.

Direct Vent Gas Fired Cast Iron Water Boiler



AGRWF

- Power supply 115/1/60
- Intermittent electronic ignition
- Two pipe vent system (up to 130 equivalent feet of 3" pipe)
- Factory installed boiler drain
- Rear utilities - easy connections
- Factory installed supply and return pipe nipples - NPT both ends
- Supply pipe nipple with tee for pressure relief valve - NPT both ends (installation required)
- Simplified field connections to terminal strip
- Controls and components enclosed in jacket
- Powder painted polyslate gray Jacket
- Tool-less top and front access panel removal
- Tubular stainless steel burners
- Cast iron sections assembled with steel push nipples
- Field configurable circulator/burner operation
- Factory installed temperature pressure gauge
- Factory installed adjustable water thermostat
- Factory installed automatic resetting high limit
- 30 PSI ASME relief valve included (installation required)
- Convertible to LP with orifice
- Insulated heat exchanger
- Optional manual reset high limit accessory (installation required)
- Annual fuel efficiency up to 84.3%
- **5-year limited parts warranty**
- **Limited lifetime heat exchanger warranty**
- **Optional extended warranties**

Table FUR-20-A — Specifications:

Model Number	Input (BTUH)	DOE Capacity (BTUH)	Net IBR (BTUH)	ICS AFUE	Flue Size	# Ht Exch. Sec.	Uncrated Dimensions(In.)			Shipping Weight
							H	W	D	
AGRWF130A94A0A ^{①②}	130,000	110,000	96,000	84.3	3"	4	33.46	19.69	24.21	360

Table FUR-20-B — Accessories:

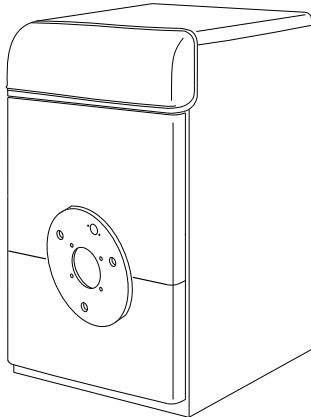
Model	Description	Shipping Weight
BAYLPK01AWBLRA	Natural Gas to Liquid Propane (LP) Conversion Kit	1
BAYLMT10AMRSTA	Manual Reset High Limit Temperature Control	1
BAYTRM10AVTVPA ^③	Trim Kit Includes 4.4 Gallon Expansion Tank, Fill Valve, Backflow Preventer (1" NPT) and Air Eliminator	18
BAYTRM20AVTVPA ^③	Trim Kit Includes 4.4 Gallon Expansion Tank, Fill Valve, Backflow Preventer (1-1/4" NPT) and Air Eliminator	18
BAYEXP30ATANKA ^③	4.4 Gallon Expansion Tank	4

^① Factory installed Natural Gas Orifices.

^② Direct vent model requires field supplied 29-4C stainless steel vent material. 3" E-Z Vent adapter included with boiler.

^③ Honeywell brand.

Oil Fired Boiler 3 Pass Cast Iron Heat Exchanger



APFWF

- Power supply 115/1/60
- Exceed Energy Star® minimum efficiency
- Efficiencies up to 86.7% AFUE
- Convertible left/right swing door
- Rear utilities - easy connections
- Simplified field connections to terminal strip
- Controls and components enclosed in jacket
- Tapered NPT pipe threads
- Powder painted polyslate gray jacket
- Cast iron sections assembled with push nipples
- Field configurable circulator/burner operation
- Factory installed temperature pressure gauge
- Factory installed adjustable water thermostat
- Factory installed automatic resetting high limit
- 30 PSI ASME relief valve and tee included (installation required)
- 3" heat exchanger insulation
- Optional manual reset high limit accessory (installation required)
- Oil burner with factory installed relay kit and electronic air shutter
- Oil burner sound enclosure matches boiler jacket color
- **5-year limited parts warranty**
- **Limited lifetime heat exchanger warranty**
- **Optional extended warranties**

Table FUR-21-A — Specifications:

Model Number	GPH	Input (BTUH)	DOE Capacity (BTUH)	Net IBR (BTUH)	ICS AFUE	Flue Size	# Ht Exch. Sec.	Uncrated Dimensions(In.)			Shipping Weight
								H	W	D	
APFWF071A93ABA①	0.5	71,000	61,000	53,000	85.5	5"	3	33.46	19.68	17.0	294
APFWF099A94ABA①	0.7	99,000	86,000	75,000	85.7	5"	4	33.46	19.68	20.9	360
APFWF132A95ABA①	0.9	132,000	115,000	100,000	85.9	5"	5	33.46	19.68	24.9	429
APFWF164A96ABA①	1.2	164,000	143,000	125,000	86.1	5"	6	33.46	19.68	28.8	497
APFWF201A97ABA①	1.4	201,000	176,000	153,000	86.3	5"	7	33.46	19.68	32.8	565
APFWF242A98ABA①	1.7	242,000	212,000	185,000	86.5	5"	8	33.46	19.68	36.7	632
APFWF286A99ABA①	2.0	286,000	252,000	219,000	86.7	5"	9	33.46	19.68	40.6	698

Table FUR-21-B — Burners:

Oil Burners	Description	Nozzles Included①	Used With	Shipping Weight
BAYRAF03ABURNA②	Pre-assembled, Customized Burner-Chimney Vent	2	APFWF071,099	25
BAYRAF05ABURNA②	Pre-assembled, Customized Burner-Chimney Vent	3	APFWF132,164,201	25
BAYRAF10ABURNA②	Pre-assembled, Customized Burner-Chimney Vent	2	APFWF242,286	30
BAYRBF03ABURNA②	Pre-assembled, Customized Burner-Chimney Vent	2	APFWF071,099	30
BAYRBF05ABURNA②	Pre-assembled, Customized Burner-Chimney Vent	3	APFWF132,164,201	30

Table FUR-21-C — Accessories:

Model	Description	Shipping Weight
BAYLMT10AMRSTA	Manual Reset High Limit Temperature Control	1
BAYTRM10AVTVPA③	Trim Kit Includes 4.4 Gallon Expansion Tank, Fill Valve, Backflow Preventer (1" NPT) and Air Eliminator	18
BAYTRM20AVTVPA③	Trim Kit Includes 4.4 Gallon Expansion Tank, Fill Valve, Backflow Preventer (1-1/4" NPT) and Air Eliminator	18
BAYEXP30ATANKA③	4.4 Gallon Expansion Tank	4
BAYDVK10ARELLA	Direct Vent Kit for BF Oil Burners - 10 foot	13
BAYDVK15ARELLA	Direct Vent Kit for BF Oil Burners - 15 foot	17
BAYVTS10AFVFA	Horizontal Vent Terminal Combination Fresh Air Intake & Exhaust	14
BAYDVK10AADPTA	Combination Air Intake Adapter, 3" to 4" Used with BF Oil Burner	2

① See Installers Guide for approved boiler-burner model combinations.

② Smallest nozzle is factory installed.

③ Honeywell brand.

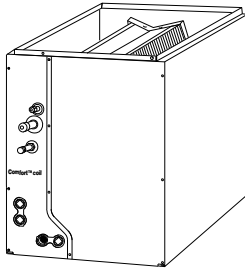
④ Includes pipe, adapters, clamps and 10 oz. sealant.

⑤ Does not include vent terminal.

⑥ Requires accessory direct vent kit and horizontal vent terminal or combustion air intake adapter for chimney vent application.

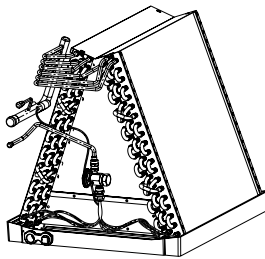
For complete equipment / combination selections and installation instructions, please refer to Product Data and/or Installers Guides.

Split System – Cased/Uncased Heat Pump and Cooling Coils



2/4TXC-BC Comfort™ Coil Features:

- All aluminum coil to reduce formicary corrosion
- All Non-Bleed TXV valves with internal check valve and mechanical fittings for heat pump operation
- Split inner and outer doors for easy coil cleaning
- Double sloped non corrosive drain pans - UL Rated 400°F
- Brazed fitting (left side)
- Drain fitting (left side)
- Suction pressure service port
- 100% foil lined insulation
- Easy case attachment to furnace
- 4 way application - fully convertible
- Painted cabinet matches furnace
- **10-year limited parts warranty - residential**
- **5-year limited parts warranty - commercial**



2/4TXA-AS Comfort™ Coil Features:

- All Aluminum coil to reduce formicary corrosion
- All Non-Bleed TXV valves with internal check valve and mechanical fittings for heat pump operation
- Split inner door for easy coil cleaning
- Non corrosive drain pan - UL Rated 400°F
- Suction pressure service port
- For use in retrofit and replacement applications, 19 5/8" coil depth matches existing furnace and plenum dimensions
- Brazed fitting (left side)
- Drain fitting (left side)
- **10-year limited parts warranty - residential**
- **5-year limited parts warranty - commercial**

For complete equipment / combination selections and installation instructions, please refer to Product Data and/or Installers Guides.

Table COIL-1-A — Aluminum Cased Coil Convertible (Upflow/ Downflow/ Horizontal Left or Right) R-22 Refrigerant

Model Number	Nom. Cap. Cooling (Btuh)	Coil Type	Refrigerant Control	Outlet Dim. (in.) W/H x D	Overall Dim. (in.) H x W x D	Shipping Weight (lbs.)	Line Size OD Gas	Line Size OD Liq.
2TXCA018BC3HCA	18,000	A	TXVNB①	12 ⁵ / ₈ x 19 ³ / ₈	22.6 x 14.5 x 21.5	34	5/8	1/4
2TXCA024BC3HCA	24,000	A	TXVNB①	12 ⁵ / ₈ x 19 ³ / ₈	22.6 x 14.5 x 21.5	34	3/4	5/16
2TXCB025BC3HCA	24,000	A	TXVNB①	15 ⁵ / ₈ x 19 ³ / ₈	17.6 x 17.5 x 21.5	38	3/4	5/16
2TXCB031BC3HCA	30,000	A	TXVNB①	15 ⁵ / ₈ x 19 ³ / ₈	17.6 x 17.5 x 21.5	38	3/4	5/16
2TXCB036BC3HCA	36,000	A	TXVNB①	15 ⁵ / ₈ x 19 ³ / ₈	22.6 x 17.5 x 21.5	45	7/8	3/8
2TXCC037BC3HCA	37,000	A	TXVNB①	19 ¹ / ₈ x 19 ³ / ₈	22.6 x 21 x 21.5	48	7/8	3/8
2TXCB042BC3HCA	42,000	A	TXVNB①	15 ⁵ / ₈ x 19 ³ / ₈	22.6 x 17.5 x 21.5	45	7/8	3/8
2TXCC043BC3HCA	43,000	A	TXVNB①	19 ¹ / ₈ x 19 ³ / ₈	22.6 x 21 x 21.5	48	1 ¹ / ₈	3/8
2TXCB048BC3HCA	48,000	A	TXVNB①	15 ⁵ / ₈ x 19 ³ / ₈	26.9 x 17.5 x 21.5	49	1 ¹ / ₈	3/8
2TXCC049BC3HCA	48,000	A	TXVNB①	19 ¹ / ₈ x 19 ³ / ₈	26.9 x 21 x 21.5	51	1 ¹ / ₈	3/8
2TXCD050BC3HCA	48,000	A	TXVNB①	22 ⁵ / ₈ x 19 ³ / ₈	26.9 x 24.6 x 21.5	55	1 ¹ / ₈	3/8
2TXCC060BC3HCA	60,000	A	TXVNB①	19 ¹ / ₈ x 19 ³ / ₈	30.1 x 21 x 21.5	65	1 ¹ / ₈	3/8
2TXCD061BC3HCA	60,000	A	TXVNB①	22 ⁵ / ₈ x 19 ³ / ₈	30.1 x 24.6 x 21.5	68	1 ¹ / ₈	3/8
2TXCD064BC3HCA	60,000	A	TXVNB①	22 ⁵ / ₈ x 19 ³ / ₈	30.1 x 24.6 x 21.5	68	1 ¹ / ₈	3/8

Table COIL-1-B — Aluminum Cased Coil Convertible (Upflow/ Downflow/ Horizontal Left or Right) R-410A Refrigerant

Model Number	Nom. Cap. Cooling (Btuh)	Coil Type	Refrigerant Control	Outlet Dim. (in.) W/H x D	Overall Dim. (in.) H x W x D	Shipping Weight (lbs.)	Line Size OD Gas	Line Size OD Liq.
4TXCA018BC3HCA	18,000	A	TXVNB①	12 ⁵ / ₈ x 19 ³ / ₈	22.6 x 14.5 x 21.5	34	5/8	1/4
4TXCA024BC3HCA	24,000	A	TXVNB①	12 ⁵ / ₈ x 19 ³ / ₈	22.6 x 14.5 x 21.5	34	3/4	5/16
4TXCB025BC3HCA	24,000	A	TXVNB①	15 ⁵ / ₈ x 19 ³ / ₈	17.6 x 17.5 x 21.5	38	3/4	5/16
4TXCB031BC3HCA	30,000	A	TXVNB①	15 ⁵ / ₈ x 19 ³ / ₈	17.6 x 17.5 x 21.5	38	3/4	5/16
4TXCB032BC3HCA	36,000	A	TXVNB①	15 ⁵ / ₈ x 19 ³ / ₈	22.6 x 17.5 x 21.5	45	7/8	3/8
4TXCB036BC3HCA	36,000	A	TXVNB①	15 ⁵ / ₈ x 19 ³ / ₈	22.6 x 17.5 x 21.5	45	7/8	3/8
4TXCC037BC3HCA	37,000	A	TXVNB①	19 ¹ / ₈ x 19 ³ / ₈	22.6 x 21 x 21.5	48	7/8	3/8
4TXCB042BC3HCA	42,000	A	TXVNB①	15 ⁵ / ₈ x 19 ³ / ₈	22.6 x 17.5 x 21.5	45	7/8	3/8
4TXCC043BC3HCA	43,000	A	TXVNB①	19 ¹ / ₈ x 19 ³ / ₈	22.6 x 21 x 21.5	48	1 ¹ / ₈	3/8
4TXCB044BC3HCA	48,000	A	TXVNB①	15 ⁵ / ₈ x 19 ³ / ₈	26.9 x 17.5 x 21.5	49	1 ¹ / ₈	3/8
4TXCB048BC3HCA	48,000	A	TXVNB①	15 ⁵ / ₈ x 19 ³ / ₈	26.9 x 17.5 x 21.5	49	1 ¹ / ₈	3/8
4TXCC049BC3HCA	48,000	A	TXVNB①	19 ¹ / ₈ x 19 ³ / ₈	26.9 x 21 x 21.5	51	1 ¹ / ₈	3/8
4TXCD050BC3HCA	48,000	A	TXVNB①	22 ⁵ / ₈ x 19 ³ / ₈	26.9 x 24.6 x 21.5	55	1 ¹ / ₈	3/8
4TXCC060BC3HCA	60,000	A	TXVNB①	19 ¹ / ₈ x 19 ³ / ₈	30.1 x 21 x 21.5	65	1 ¹ / ₈	3/8
4TXCD061BC3HCA	60,000	A	TXVNB①	22 ⁵ / ₈ x 19 ³ / ₈	30.1 x 24.6 x 21.5	68	1 ¹ / ₈	3/8
4TXCD064BC3HCA	60,000	A	TXVNB①	22 ⁵ / ₈ x 19 ³ / ₈	30.1 x 24.6 x 21.5	68	1 ¹ / ₈	3/8

Table COIL-1-C — Aluminum Uncased Coils (Upflow/Downflow) R-22 Refrigerant

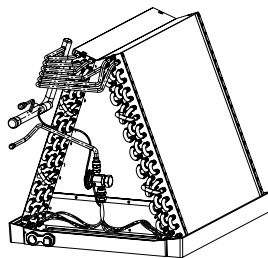
Model Number	Nom. Cap. Cooling (Btuh)	Coil Type	Refrigerant Control	Overall Dim. (in.) H x W x D	Shipping Weight (lbs.)	Line Size OD Gas	Line Size OD Liq.
2TXAB025AS3HUA	30,000	A	TXV-NB①	15.6 x 16.3 x 19.6	20	5/8	3/8
2TXAB031AS3HUA	30,000	A	TXV-NB①	20.2 x 16.3 x 19.6	31	7/8	3/8
2TXAB036AS3HUA	36,000	A	TXV-NB①	25.3 x 16.3 x 19.6	38	7/8	3/8
2TXAC037AS3HUA	36,000	A	TXV-NB①	25 x 19.8 x 19.6	45	7/8	3/8
2TXAC054AS3HUA	54,000	A	TXV-NB①	27 x 19.8 x 19.6	48	1 ¹ / ₈	3/8
2TXAD065AS3HUA	60,000	A	TXV-NB①	32.9* x 23.3 x 19.6	69	1 ¹ / ₈	3/8

Table COIL-1-D — Aluminum Uncased Coils (Upflow/Downflow) R-410A Refrigerant

Model Number	Nom. Cap. Cooling (Btuh)	Coil Type	Refrigerant Control	Overall Dim. (in.) H x W x D	Shipping Weight (lbs.)	Line Size OD Gas	Line Size OD Liq.
4TXAB025AS3HUA	30,000	A	TXV-NB①	15.6 x 16.3 x 19.6	20	5/8	3/8
4TXAB031AS3HUA	30,000	A	TXV-NB①	20.2 x 16.3 x 19.6	31	7/8	3/8
4TXAB036AS3HUA	36,000	A	TXV-NB①	25.3 x 16.3 x 19.6	38	7/8②	3/8
4TXAC037AS3HUA	36,000	A	TXV-NB①	25 x 19.8 x 19.6	45	7/8	3/8
4TXAC054AS3HUA	54,000	A	TXV-NB①	27 x 19.8 x 19.6	48	1 ¹ / ₈ ③	3/8
4TXAD065AS3HUA	60,000	A	TXV-NB①	32.9* x 23.3 x 19.6	69	1 ¹ / ₈ ③	3/8

① Start Kits may be required on outdoor unit.

Split System – Uncased Heat Pump and Cooling Coils



2/4TXA-BC Comfort™ Coil Features:

- All aluminum coil to reduce formicary corrosion
- All Non-Bleed TXV valves with internal check valve and mechanical fittings for heat pump operation
- Split inner door for easy coil cleaning
- Double sloped non-corrosive drain pans - UL rated 400°F
- Suction pressure service port
- Uncased **upflow/downflow heat pump and cooling coils**
- Brazed fittings (left side)
- Drain fitting (left side)
- **10-year limited parts warranty - residential**
- **5-year limited parts warranty - commercial**

**Table COIL-2-A — Aluminum Uncased Coil Convertible (Upflow/ Downflow/ Horizontal Left or Right)
R-22 Refrigerant**

Model Number	Nom. Cap. Cooling (Btuh)	Coil Type	Refrigerant Control	Overall Dim. (in.) H x W x D	Shipping Weight (lbs.)	Line Size	
						OD Gas	OD Liq.
2TXAA018BC3HUA	18,000	A	TXVNB ^①	17.4 x 13.3 x 21.1	21	3/4	5/16
2TXAA024BC3HUA	24,000	A	TXVNB ^①	17.4 x 13.3 x 21.1	21	3/4	5/16
2TXAB025BC3HUA	24,000	A	TXVNB ^①	15.9 x 16.3 x 21.1	24	3/4	5/16
2TXAB031BC3HUA	30,000	A	TXVNB ^①	15.9 x 16.3 x 21.1	24	3/4	5/16
2TXAB036BC3HUA	36,000	A	TXVNB ^①	21.2 x 16.3 x 21.1	32	7/8	3/8
2TXAC037BC3HUA	36,000	A	TXVNB ^①	20.8 x 19.8 x 21.1	33	7/8	3/8
2TXAB042BC3HUA	42,000	A	TXVNB ^①	21.2 x 16.3 x 21.1	32	7/8	3/8
2TXAC043BC3HUA	42,000	A	TXVNB ^①	20.8 x 19.8 x 21.1	33	7/8	3/8
2TXAB048BC3HUA	48,000	A	TXVNB ^①	25.3 x 16.3 x 21.1	36	1 1/8	3/8
2TXAC049BC3HUA	48,000	A	TXVNB ^①	24.9 x 19.8 x 21.1	38	1 1/8	3/8
2TXAD050BC3HUA	48,000	A	TXVNB ^①	24.4 x 23.3 x 21.1	39	1 1/8	3/8
2TXAC060BC3HUA	60,000	A	TXVNB ^①	29.1 x 19.8 x 21.1	4	1 1/8	3/8
2TXAD061BC3HUA	60,000	A	TXVNB ^①	28.6 x 23.3 x 21.1	45	1 1/8	3/8
2TXAD064BC3HUA	60,000	A	TXVNB ^①	28.6 x 23.3 x 21.1	45	1 1/8	3/8

**Table COIL-2-B — Aluminum Uncased Coil Convertible (Upflow/ Downflow/ Horizontal Left or Right)
R-410A Refrigerant**

Model Number	Nom. Cap. Cooling (Btuh)	Coil Type	Refrigerant Control	Overall Dim. (in.) H x W x D	Shipping Weight (lbs.)	Line Size ^②	
						OD Gas	OD Liq.
4TXAA018BC3HUA	18,000	A	TXVNB ^①	17.4 x 13.3 x 21.1	21	3/4	5/16
4TXAA024BC3HUA	24,000	A	TXVNB ^①	17.4 x 13.3 x 21.1	21	3/4	5/16
4TXAB025BC3HUA	24,000	A	TXVNB ^①	15.9 x 16.3 x 21.1	24	3/4	5/16
4TXAB031BC3HUA	30,000	A	TXVNB ^①	15.9 x 16.3 x 21.1	24	3/4	5/16
4TXAB032BC3HUA	36,000	A	TXVNB ^①	21.2 x 16.3 x 21.1	32	7/8	3/8
4TXAB036BC3HUA	36,000	A	TXVNB ^①	21.2 x 16.3 x 21.1	32	7/8	3/8
4TXAC037BC3HUA	36,000	A	TXVNB ^①	20.8 x 19.8 x 21.1	33	7/8	3/8
4TXAB042BC3HUA	42,000	A	TXVNB ^①	21.2 x 16.3 x 21.1	32	7/8	3/8
4TXAC043BC3HUA	42,000	A	TXVNB ^①	20.8 x 19.8 x 21.1	33	1 1/8	3/8
4TXAC044BC3HUA	48,000	A	TXVNB ^①	25.3 x 19.8 x 21.1	38	1 1/8	3/8
4TXAB048BC3HUA	48,000	A	TXVNB ^①	25.3 x 16.3 x 21.1	36	1 1/8	3/8
4TXAC049BC3HUA	48,000	A	TXVNB ^①	24.9 x 19.8 x 21.1	38	1 1/8	3/8
4TXAD050BC3HUA	48,000	A	TXVNB ^①	24.4 x 23.3 x 21.1	39	1 1/8	3/8
4TXAC060BC3HUA	60,000	A	TXVNB ^①	29.1 x 19.8 x 21.1	44	1 1/8	3/8
4TXAD061BC3HUA	60,000	A	TXVNB ^①	28.6 x 23.3 x 21.1	45	1 1/8	3/8
4TXAD064BC3HUA	60,000	A	TXVNB ^①	28.6 x 23.3 x 21.1	45	1 1/8	3/8

① Start Kits may be required on outdoor unit.

② Reducers supplied with R-410A models.

Split System – Cased Heat Pump and Cooling Coils

2/4TXF Features:

- Bi-directional airflow
- Sloped non corrosive drain pan
- HP TXV with mechanical fittings
- Galvanized steel cabinet
- 100% foil lined insulation
- Copper tube and Aluminum fin
- **5-year limited parts warranty**

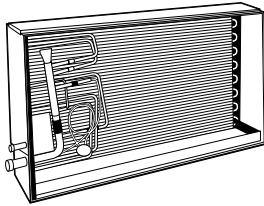


Table COIL-3-A — Cased Horizontal Flat Coil R-22 Refrigerant

Model Number	Nom. Cap. Cooling (Btuh)	Coil Type	Refrigerant Control	Outlet Dim. (in.) H x D	Overall Dim. (in.) H x W x D	Shipping Weight (lbs.)	Line Size	
							OD Gas	OD Liq.
2TXFH018AS3HHA	18,000	Flat	TXVNB ^①	21 x 24	22 x 10 x 28	40	5/8	1/4
2TXFH033AS3HHA	34,000	Flat	TXVNB ^①	21 x 24	22 x 10 x 28	46	3/4	5/16
2TXFH041AS3HHA	44,000	Flat	TXVNB ^①	21 x 33 1/4	22 x 10 x 37	56	7/8	3/8
2TXFH054AS3HHA	58,000	Flat	TXVNB ^①	21 x 33 1/4	22 x 10 x 37	64	1 1/8	3/8
2TXFH063AS3HHA	61,000	Flat	TXVNB ^①	27 x 33 1/4	28 x 10 x 37	79	1 1/8	3/8

Table COIL-3-B — Cased Horizontal Flat Coil R-410A Refrigerant

Model Number	Nom. Cap. Cooling (Btuh)	Coil Type	Refrigerant Control	Outlet Dim. (in.) H x D	Overall Dim. (in.) H x W x D	Shipping Weight (lbs.)	Line Size	
							OD Gas	OD Liq.
4TXFH018AS3HHA	18,000	Flat	TXVNB ^①	21 x 24	22 x 10 x 28	40	1/2	1/4
4TXFH033AS3HHA	34,000	Flat	TXVNB ^①	21 x 24	22 x 10 x 28	46	3/4	5/16
4TXFH041AS3HHA	44,000	Flat	TXVNB ^①	21 x 33 1/4	22 x 10 x 37	56	3/4	3/8
4TXFH054AS3HHA	58,000	Flat	TXVNB ^①	21 x 33 1/4	22 x 10 x 37	64	7/8	3/8
4TXFH063AS3HHA	61,000	Flat	TXVNB ^①	27 x 33 1/4	28 x 10 x 37	79	7/8	3/8

Table COIL-3-C — Brazed, Cased Dual Circuit Cooling Only Coil^{②③}

Model Number	Nom. Cap. Cooling (Btuh)	Coil Type	Refrigerant Control	Outlet Dim. (in.) W/H x D	Overall Dim. (in.) H x W x D	Shipping Weight (lbs.)	Line Size	
							OD Gas	OD Liq.
TXE120B500D	120,000	Flat	TXV-B ^①	18 3/4 x 57 3/4	26 x 64 x 25	235	1 1/8	3/8

① Start Kits may be required on outdoor unit.

② Coils are 3/8" cu/al plate fin.

③ Two circuit cooling coil.

High Efficiency Split System – Cased Heat Pump and Cooling Coils

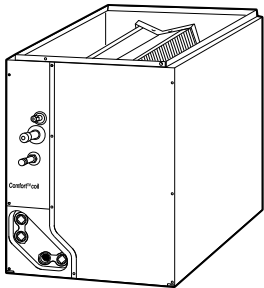


Table COIL-3-D — Brazed, Cased Dual Circuit Cooling Only Coils-(Upflow, Downflow or Horizontal Left Only)

Model Number	Nom. Cap. Cooling (Btuh)	Coil Type	Refrigerant Control	Outlet Dim. (in.) W/H x D	Overall Dim. (in.) H x W x D	Shipping Weight (lbs.)	Line Size	
							OD Gas	OD Liq.
TXC039E300C ^②	36,000	A	TXVNB ^①	15 5/8 x 19 5/16	30 1/16 x 17 1/2 x 21 1/2	69	3/4	5/16
TXC059E300C ^②	59,000	A	TXVNB ^①	19 1/8 x 19 5/16	30 1/16 x 21 x 21 1/2	73	7/8	3/8
TXC062E300C ^②	64,000	A	TXVNB ^①	22 5/8 x 19 5/16	30 1/16 x 24 1/2 x 21 1/2	79	7/8	3/8

① Start Kits may be required on outdoor unit.

② Only used with Variable Speed Gas Furnace to achieve 2-stage heat/cool.

*Overall height. Actual height of case is 30".

TXC-E Comfort™ Coil Features:

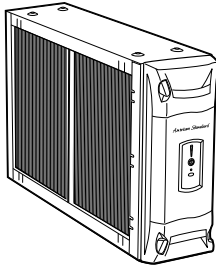
- 3 way Application
- Cased **Cooling Only**
- Brazed fittings
- Drain fitting
- Operates as two independent refrigerant systems with one indoor coil and furnace
- Fits 17.5", 21", 24.5" furnace models
- Compatible with all outdoor sections - 34 - 74 MBTUH capacities
- Easy single coil installation
- Offers application flexibility for special customer requirements
- Sloped drain pan
- **5-year limited parts warranty**

Split System – Uncased Coil Enclosures

Table COIL-4-A — 13 SEER Coil Enclosures

Model Number	Coils Cooling or Heat Pump		Used With Furnaces Flush on Both Sides	Dimensions (in.) H x W x D	Shipping Weight (lbs.)
BAYCLE14A1422A	2/4CXAA018BC3CUA	2/4TXAA018BC	14½" Wide Furnace	22½ x 14½ x 21½	12
	2/4CXAA024BC3CUA	2/4TXAA024BC			
BAYCLE17A1722A	2/4CXAB025BC3CUA	2/4TXAB025AS	17½" Wide Furnace	22 ⁵ / ₈ x 17½ x 21½	14
	2/4CXAB031BC3CUA	2/4TXAB031AS			
	2/4CXAB036BC3CUA	2/4TXAB036AS			
	2/4CXAB042BC3CUA	2/4TXAB025BC			
	2/4CXAB048BC3CUA	2/4TXAB031BC			
		4TXAB032BC			
		2/4TXAB036BC			
	2/4TXAB042BC				
	2/4TXAB048BC				
BAYCLE21A2130A	2/4CXAC037BC3CUA	2/4TXAC037AS	21" Wide Furnace	30 x 21x 21½	18
	2/4CXAC043BC3CUA	2/4TXAC054AS			
	2/4CXAC049BC3CUA	2/4TXAC037BC			
	2/4CXAC060BC3CUA	2/4TXAC043BC			
		4TXAC044BC			
		2/4TXAC049BC			
	2/4TXAC060BC				
BAYCLE24A2430A	2/4CXAD050BC3CUA	2/4TXAD065AS	24½" Wide Furnace	30 x 24½ x 21½	22
	2/4CXAD061BC3CUA	2/4TXAD050BC			
		2/4TXAD061BC			
		2/4TXAD064BC			

AccuClean™ Whole Home Air Cleaner and Upgrade Kits



AccuClean™ Whole Home Air Cleaner:

- **AccuClean™** removes up to 99.98% of allergens from the filtered air
- Removes particles down to .1 microns in size
- Outperforms HEPA, and up to 100 times more effective than a standard 1" filter
- Constructed of heavy 18 gage metal to protect the filter and internal electronics
- Power door provides easy access to internal components and features a filter status display as well as safety interlocks that automatically shut down the power when the door is opened for maintenance or cleaning
- Designed for flush fit on both sides and rear of equipment cabinet
- No transitions required on **AccuClean™** applications
- Gaskets included with the air cleaner
- 24 Volt input power
- **10-year electronics warranty**
- **5-year parts warranty**

AccuClean™ Whole Home Upgrade Kits:

- Same great features as in the **AccuClean™** Whole Home Air Cleaners
- Fits any **Perfect Fit™** Air Cleaner cabinet
- Easily convert **Perfect Fit™**, TFP, TFM or TFE product to **AccuClean™** Air Cleaner
- 24 Volt input power
- **10-year electronics warranty**
- **5-year parts warranty**

Table IAQ-1-A – Air Handler – 24 Volt AccuClean™ Whole Home Air Cleaner

Model Number	Airflow Range	AccuClean™ Air Handler Width	Uncrated Dimensions(in.) H x W x D	Shipping Weight
AFD215ALAH000B	300-1200	21½ inch	7½ x 21½ x 21	42
AFD235ALAH000B	350-1600	23½ inch	7½ x 23½ x 21	44
AFD260ALAH000B	400-2000	26 inch	7½ x 26 x 21	46

Table IAQ-1-B – Upflow / Side Return Furnace – 24 Volt AccuClean™ Whole Home

Model Number	Airflow Range	AccuClean™ Air Handler Width	Uncrated Dimensions(in.) H x W x D	Shipping Weight
AFD145ALFR000B	300-1200	14½ inch ^①	7½ x 14½ x 27	39
AFD175ALFR000B	300-1600	17½ inch ^①	7½ x 17½ x 27	43
AFD210ALFR000B	300-2000	21 inch ^②	7½ x 21 x 27	47
AFD245ALFR000B	400-2000	24½ inch ^②	7½ x 24½ x 27	49

Table IAQ-1-C – Downflow Furnace – 24 Volt AccuClean™ Whole Home

Model Number	Airflow Range	AccuClean™ Air Handler Width	Uncrated Dimensions(in.) H x W x D	Shipping Weight
AFD14DALFR000B	300-1200	14½ inch	7½ x 14½ x 21	33
AFD17DALFR000B	300-1600	17½ inch	7½ x 17½ x 21	37
AFD21DALFR000B	300-2000	21 inch	7½ x 21 x 21	41
AFD24DALFR000B	400-2000	24½ inch	7½ x 24½ x 21	45

Table IAQ-1-D – Air Handler – AccuClean™ Whole Home Upgrade Kit

Model Number	Airflow Range	Perfect Fit™ Cabinet Width	Shipping Weight
AFD215ALUPGRDA	300-1200	21½ inch	38
AFD235ALUPGRDA	350-1600	23½ inch	40
AFD260ALUPGRDA	400-2000	26 inch	42

Table IAQ-1-E – Furnace – AccuClean™ Whole Home Upgrade Kit

Model Number	Airflow Range	Perfect Fit™ Cabinet Width	Shipping Weight
AFD145ALUPGRDA	300-1200	14½ inch ^①	35
AFD175ALUPGRDA	300-1600	17½ inch ^①	39
AFD210ALUPGRDA	300-2000	21 inch ^②	43
AFD245ALUPGRDA	400-2000	24½ inch ^②	45

Table IAQ-1-F – Downflow Furnace – AccuClean™ Whole Home Upgrade Kit

Model Number	Airflow Range	Perfect Fit™ Cabinet Width	Shipping Weight
AFD14DALUPGRDA	300-1200	14½ inch	29
AFD17DALUPGRDA	300-1600	17½ inch	33
AFD21DALUPGRDA	300-2000	21 inch	37
AFD24DALUPGRDA	400-2000	24½ inch	41

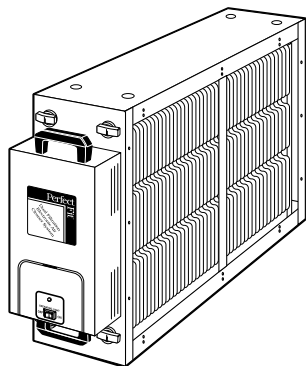
Table IAQ-1-G – Accessories – AccuClean™ Whole Home and Upgrade Kits

Model Number	Description	Used With	Shipping Weight
BAYTRANS12024	120 to 24 Volt Transformer	All AFD Air Cleaners	6

① Side return no transition required.

② Side return transition required.

Perfect Fit™ Electronic Air Cleaner



- Three sizes to flush fit TWE/4TEE/4TEP 6-way convertible Air Handler return
- Four sizes to flush fit bottom of American Standard furnaces
- TFP175, TFM175, TFE175 (17½") bottom return model can be used for a Perfect Fit™ side return on all furnace models
- Air Cleaners designed for flush fit on both sides and rear of equipment cabinet
- All service and access is from the front of the air cleaner
- Cabinet case versatility provides three levels of air quality
- All Electronic Air Cleaners are shipped with a 1" washable metal pre-filter
- Can be easily converted to **AccuClean™** Whole Home technology with upgrade kit listed on tables IAQ-1-D to IAQ-1-F
- **Air-Tite™** Door construction eliminates air leaks, improves air quality and keeps operating costs low
- Gaskets included with the air cleaner
- Built-In Air Sensor Switch senses when air flows through the power assembly on and off automatically; No "Power On" relay required
- Air Cleaner furnace models come with a 120 volt power supply
- Air Cleaner Air Handler models come with a 240 volt power supply or 120 volt power supply

Table IAQ-2-A – Air Handler Perfect Fit™ Dual Filtration Electronic Air Cleaner System With One (1) Inch Pre-Filter (120 Volt or 240 volt)

Model Number	Airflow Range	Voltage	Perfect Fit™ Air Handler Width	Uncrated Dimensions(in.) H x W x D	Shipping Weight	Return Air Opening [ⓐ]
TFE215A9AH3	300-1400	120	21½ inch	7½ x 21½ x 21	45	18⅞ x 18⅞
TFE235A9AH3	300-1800	120	23½ inch	7½ x 23½ x 21	49	20⅞ x 18⅞
TFE260A9AH3	400-2100	120	26 inch	7½ x 26 x 21	53	23⅞ x 18⅞
TFE215A1AH3	300-1400	240	21½ inch	7½ x 21½ x 21	45	18⅞ x 18⅞
TFE235A1AH3	300-1800	240	23½ inch	7½ x 23½ x 21	49	20⅞ x 18⅞
TFE260A1AH3	400-2100	240	26 inch	7½ x 26 x 21	53	23⅞ x 18⅞

Table IAQ-2-B – Furnace Perfect Fit™ Dual Filtration Electronic Air Cleaner System With One (1) Inch Pre-Filter (120 Volt)

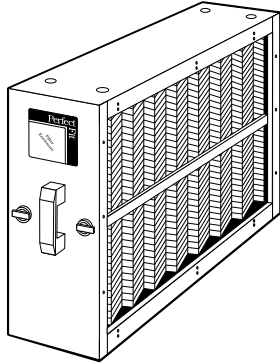
Model Number	Airflow Range	Voltage	Perfect Fit™ Air Handler Width	Uncrated Dimensions(in.) H x W x D	Shipping Weight	Return Air Opening [ⓐ]
TFE145A9FR3	300-1200	120	14½ inch [ⓑ]	7½ x 14½ x 27	44	11⅞ x 24 ¹³ / ₁₆
TFE175A9FR3	300-1500	120	17½ inch [ⓑ]	7½ x 17½ x 27	48	14⅞ x 24 ¹³ / ₁₆
TFE210A9FR3	300-2000	120	21 inch [ⓐ]	7½ x 21 x 27	54	18 ³ / ₈ x 24 ¹³ / ₁₆
TFE245A9FR3	400-2200	120	24½ inch [ⓐ]	7½ x 24½ x 27	60	21⅞ x 24 ¹³ / ₁₆

Table IAQ-2-C — Accessories: 1" Permanent - Washable Filter (Ordered through Parts)

Replacement Part Number	Previous Model Number	Description	Enclosure Used With
FLR03831	BAYFTFR14W1A	1" PERMANENT - Washable	14-1/2
FLR03832	BAYFTFR17W1A	1" PERMANENT - Washable	17-1/2
FLR03833	BAYFTFR21W1A	1" PERMANENT - Washable	21
FLR03834	BAYFTFR24W1A	1" PERMANENT - Washable	24-1/2
FLR03835	BAYFTAH21W1A	1" PERMANENT - Washable	21-1/2
FLR03836	BAYFTAH23W1A	1" PERMANENT - Washable	23-1/2
FLR03837	BAYFTAH26W1A	1" PERMANENT - Washable	26

- ⓑ Side return no transition required.
 ⓐ Side return transition required.
 ⓐ Actual opening does not include flange.

Perfect Fit™ Media Filters



- Three sizes to flush fit TWE/4TEE/4TEP 6-way convertible Air Handler return
- Four sizes to flush fit bottom of American Standard furnaces
- TFP175, TFM175, TFE175 (17½") bottom return model can be used for a Perfect Fit™ side return on all furnace models
- Air Cleaners designed for flush fit on both sides and rear of equipment cabinet
- All service and access is from the front of the air cleaner
- **Air-Tite™** Door construction eliminates air leaks, improves air quality and keeps operating costs low
- Gaskets included with the air cleaner
- Can be easily converted to **AccuClean™** Whole Home technology with upgrade kit listed on tables IAQ-1-D to IAQ-1-F

Table IAQ-3-A– Air Handler Perfect Fit™ High Efficiency Air Cleaner With Five (5) Inch Expandable Media Filter

Model Number	Airflow Range	Perfect Fit™ Air Handler Width	Uncrater Dimensions(in.) H x W x D	Shipping Weight	Return Air Opening ^③
TFM215B0AH0	300-1400	21½ inch	7½ x 21½ x 21	22	18⅞ x 18⅞
TFM235B0AH0	300-1700	23½ inch	7½ x 23½ x 21	24	20⅞ x 18⅞
TFM260B0AH0	400-2100	26 inch	7½ x 26 x 21	25	23⅞ x 18⅞

Table IAQ-3-B – Furnace Perfect Fit™ High Efficiency Air Cleaner With Five (5) Inch Expandable Media Filter

Model Number	Airflow Range	Perfect Fit™ Air Handler Width	Uncrater Dimensions(in.) H x W x D	Shipping Weight	Return Air Opening ^③
TFM145B0FR0	300-1200	14½ inch ^①	7½ x 14½ x 27	18	11⅞ x 24 ^{13/16}
TFM175B0FR0	300-1500	17½ inch ^①	7½ x 17½ x 27	21	14⅞ x 24 ^{13/16}
TFM210B0FR0	300-2000	21 inch ^②	7½ x 21 x 27	24	18⅞ x 24 ^{13/16}
TFM245B0FR0	400-2000	24½ inch ^②	7½ x 24½ x 27	27	21⅞ x 24 ^{13/16}

Table IAQ-3-C – Downflow Furnace Perfect Fit™ High Efficiency Air Cleaner With Five (5) Inch Expandable Media Filter

Model Number	Airflow Range	Perfect Fit™ Air Handler Width	Uncrater Dimensions(in.) H x W x D	Shipping Weight	Return Air Opening ^③
TFM14DA0FR0	300-1200	14½ inch	7½ x 14½ x 21	17	11⅞ x 18⅞
TFM17DA0FR0	300-1500	17½ inch	7½ x 17½ x 21	19	14⅞ x 18⅞
TFM21DA0FR0	300-2000	21 inch	7½ x 21 x 21	22	18⅞ x 18⅞
TFM24DA0FR0	400-2000	24½ inch	7½ x 24½ x 21	24	21⅞ x 18⅞

Table IAQ-3-D – Air Handler Perfect Fit™ Medium Efficiency Air Cleaner With One (1) Inch Pleated Filter

Model Number	Airflow Range	Perfect Fit™ Air Handler Width	Uncrater Dimensions(in.) H x W x D	Shipping Weight	Return Air Opening ^③
TFP215A0AH1	300-1200	21½ inch	7½ x 21½ x 21	20	18⅞ x 18⅞
TFP235A0AH1	300-1500	23½ inch	7½ x 23½ x 21	22	20⅞ x 18⅞
TFP260A0AH1	400-1800	26 inch	7½ x 26 x 21	24	23⅞ x 18⅞

Table IAQ-3-E – Furnace Perfect Fit™ Medium Efficiency Air Cleaner With One (1) Inch Pleated Filter

Model Number	Airflow Range	Perfect Fit™ Air Handler Width	Uncrater Dimensions(in.) H x W x D	Shipping Weight	Return Air Opening ^③
TFP145A0FR1	300-1200	14½ inch ^①	7½ x 14½ x 27	17	11⅞ x 24 ^{13/16}
TFP175A0FR1	300-1500	17½ inch ^①	7½ x 17½ x 27	19	14⅞ x 24 ^{13/16}
TFP210A0FR1	400-1800	21 inch ^②	7½ x 21 x 27	22	18⅞ x 24 ^{13/16}
TFP245A0FR1	400-2000	24½ inch ^②	7½ x 24½ x 27	25	21⅞ x 24 ^{13/16}

① Side return no transition required.

② Side return transition required.

③ Actual opening does not include flange.

Table IAQ-4-A — Furnace Enclosure Filters

Model Number	Description	Qty	Enclosure Used with	Shipping Weight
BAYFTFR14P4	1" Pleated Filter	4 / Box	14 1/2	3
BAYFTFR17P4	1" Pleated Filter	4 / Box	17 1/2	3
BAYFTFR21P4	1" Pleated Filter	4 / Box	21	3
BAYFTFR24P4	1" Pleated Filter	4 / Box	24 1/2	3
BAYFTFR14M2	5" Media Filter	2 / Box	14 1/2	5
BAYFTFR17M2	5" Media Filter	2 / Box	17 1/2	5
BAYFTFR21M2	5" Media Filter	2 / Box	21	5
BAYFTFR24M2	5" Media Filter	2 / Box	24 1/2	6
BAYFTFREXM2	Expandable 5" Cartridge Media Filter	2 / Box	14 1/2-24 1/2	5

Table IAQ-4-B — Air Handler Enclosure Filters

Model Number	Description	Qty	Enclosure Used with	Shipping Weight
BAYFTA21P4	1" Pleated Filter	4 / Box	21 1/2	3
BAYFTA23P4	1" Pleated Filter	4 / Box	23 1/2	3
BAYFTA26P4	1" Pleated Filter	4 / Box	26	3
BAYFTA21M2	5" Media Filter	2 / Box	21 1/2	5
BAYFTA23M2	5" Media Filter	2 / Box	23 1/2	5
BAYFTA26M2	5" Media Filter	2 / Box	26	6
BAYFTAHEXM2	Expandable 5" Cartridge Media Filter	2 / Box	21 1/2-26	5

Table IAQ-4-C — Downflow Cartridge Media

Model Number	Description	Qty	Enclosure Used with	Shipping Weight
BAYFTDN14M2	5" Downflow Media Filter	2/ Box	14 D	5
BAYFTDN17M2	5" Downflow Media Filter	2/ Box	17 D	5
BAYFTDN21M2	5" Downflow Media Filter	2/ Box	21 D	5
BAYFTDN24M2	5" Downflow Media Filter	2/ Box	24 D	5

Table IAQ-4-D — Furnace Frames

Model Number	Description	Qty	Enclosure Used with	Shipping Weight
BAYFRAME145①	Expandable Media Filter	1/ Box	14 1/2	5
BAYFRAME175①	Expandable Media Filter	1/ Box	17 1/2	5
BAYFRAME210①	Expandable Media Filter	1/ Box	21	5
BAYFRAME245①	Expandable Media Filter	1/ Box	24 1/2	5

Table IAQ-4-E — Air Handler Frames

Model Number	Description	Qty	Enclosure Used with	Shipping Weight
BAYFRAME215①	Expandable Media Frame	1/ Box	21	5
BAYFRAME235①	Expandable Media Frame	1/ Box	23 1/2	5
BAYFRAME260①	Expandable Media Frame	1/ Box	26	5

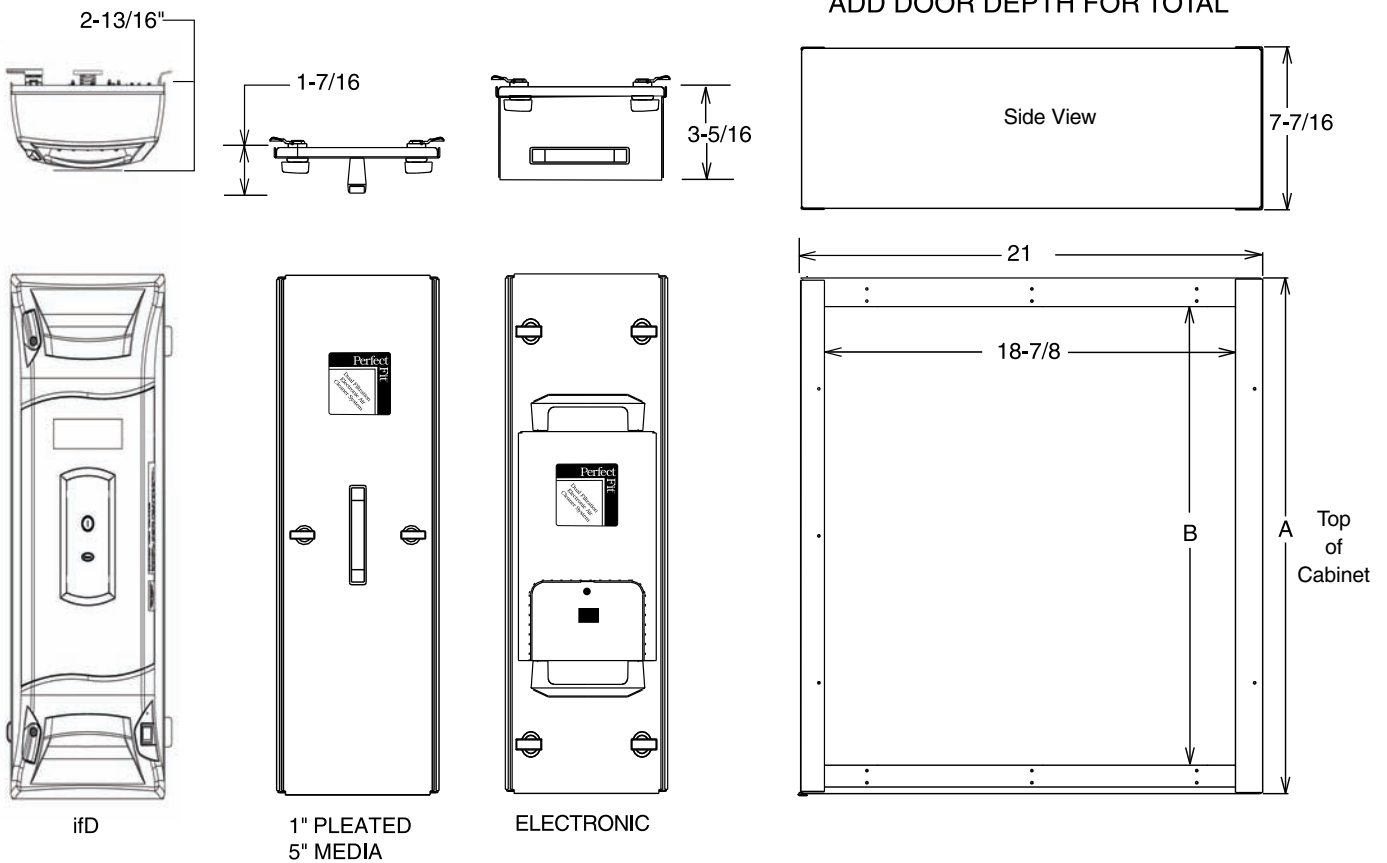
① Includes one filter.

Table IAQ-5-A — Air Handler Filters

AIR HANDLER MODEL NUMBER					
1" Pleated Filter	5" Media Filter	Electronic Filter	AccuClean™	A	B
TFP215A0AH0	TFM215A0AH0	TFE215A1AH0, A9AH0	AFD215ALAH000A	21-1/2	19
TFP235A0AH0	TFM235A0AH0	TFE235A1AH0, A9AH0	AFD235ALAH000A	23-1/2	21
TFP260A0AH0	TFM260A0AH0	TFE260A1AH0, A9AH0	AFD260ALAH000A	26	23-1/2

OUTLINE DRAWING AIR HANDLER MODELS

21" CABINET DEPTH ONLY
ADD DOOR DEPTH FOR TOTAL



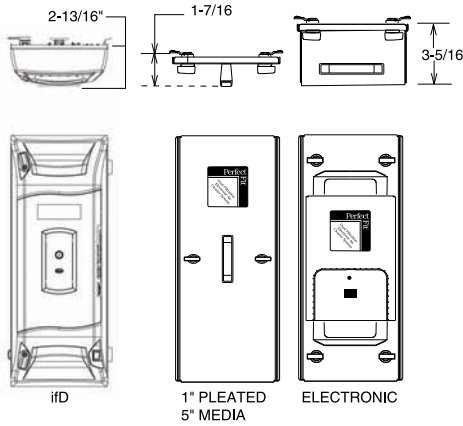


Table IAQ-6-A — Upflow Furnace Filters

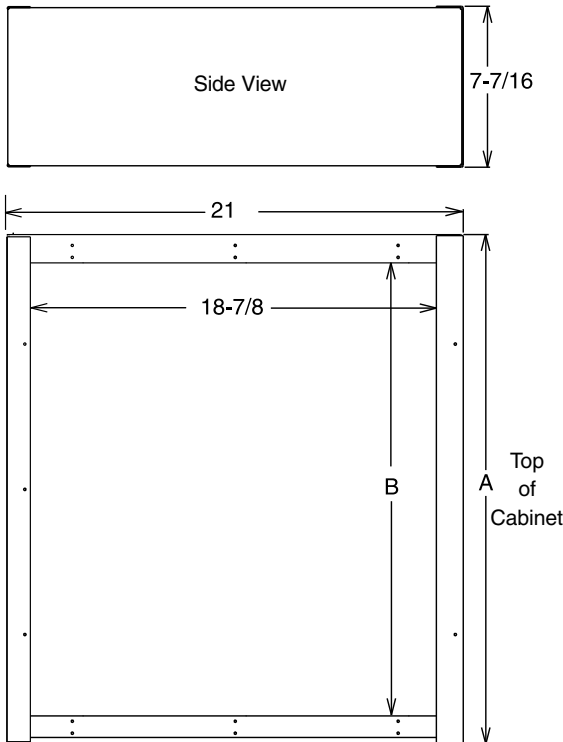
FURNACE MODEL NUMBER					
1" Pleated Filter	5" Media Filter	Electronic Filter	AccuClean™	A	B
TFP145A0FR0	TFM145A0FR0	TFE145A9FR0	AFD145ALFR000A	14-1/2	12
TFP175A0FR0	TFM175A0FR0	TFE175A9FR0	AFD175ALFR000A	17-1/2	15
TFP210A0FR0	TFM210A0FR0	TFE210A9FR0	AFD210ALFR000A	21	18-1/2
TFP245A0FR0	TFM245A0FR0	TFE245A9FR0	AFD245ALFR000A	24-1/2	22

Table IAQ-6-B — Downflow Furnace Filters

FURNACE MODEL NUMBER			
5" Media Filter	AccuClean™	A	B
TFM14DA0FR0	AFD14DALFR000A	14-1/2	11-7/8
TFM17DA0FR0	AFD17DALFR000A	17-1/2	14-7/8
TFM21DA0FR0	AFD21DALFR000A	21	18-3/8
TFM24DA0FR0	AFD24DALFR000A	24-1/2	21-7/8

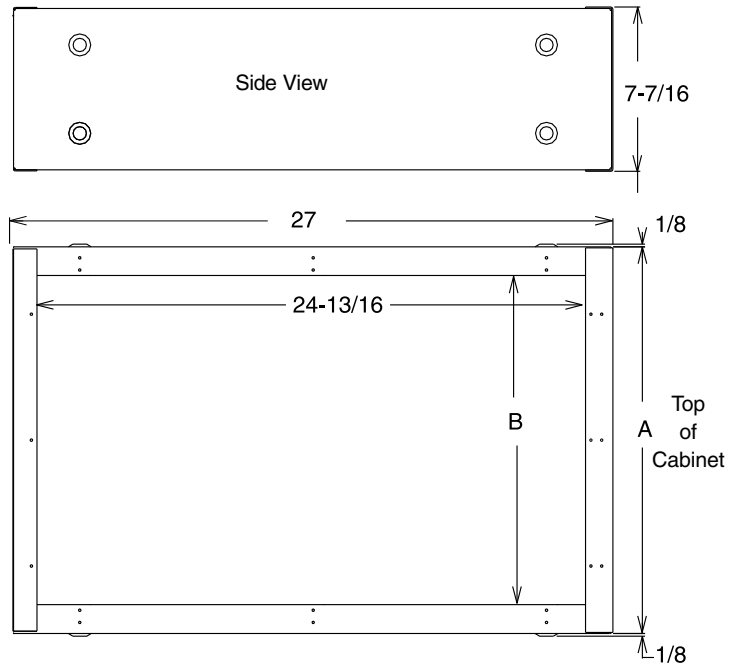
**OUTLINE DRAWING
DOWNFLOW FURNACE MODELS**

21" CABINET DEPTH ONLY
ADD DOOR DEPTH FOR TOTAL

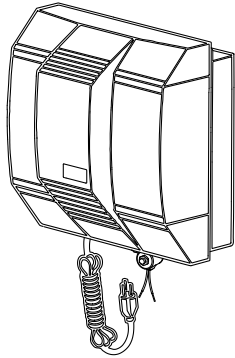


OUTLINE DRAWING UPFLOW FURNACE MODELS

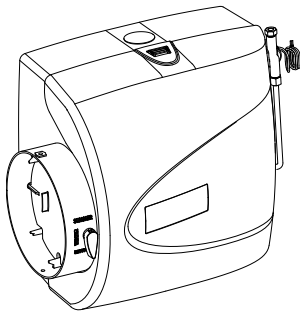
27" CABINET DEPTH ONLY
ADD DOOR DEPTH FOR TOTAL



Humidifiers Fan Powered and Bypass



AHUMD500A



AHUMD200A, 300A

AHUMD500A

- Flow Through Fan Powered Humidifier
- High Performance Humidifier Delivers up to 18 Gallons per Day
- Automatic Humidifier Control with O.D. Sensor for up to 50% more Humidity
- Front Cover Access for easy replacement of humidifier pad
- Aluminum Humidifier Pad Treated with Ceramic Clay for Enhanced Pad Performance
- Reliable Brass Solenoid Valve w/Stainless Steel Valve Seat
- UV Resistant Cabinet and Scale Control Insert
- Saddle Valve
- Polyslate Gray Housing matches Furnace Cabinet Color
- Decorative nameplate
- 120V Power Line Cord

AHUMD200,300A

- AHUMD300A Bypass delivers up to 17 Gallons per day
- AHUMD200A delivers up to 12 Gallons per day
- AHUMD300A Automatic Humidifier Control and O.D. Sensor for up to 50% more Humidity
- AHUMD200A Manual Humidifier Control
- UV Resistant Cabinet and Scale Control Insert
- Front Cover Access for easy replacement of humidifier pad
- Aluminum Humidifier Pad Treated with Ceramic Clay for Enhanced Pad Performance
- Reliable Brass Solenoid Valve w/Stainless Steel Valve Seat
- Field Convertible Duct Connection, Left or Right Side
- Built in Summer / Winter Damper
- UV Resistant Cabinet and Scale Control Insert
- Saddle Valve
- Polyslate Gray Housing matches Furnace Cabinet Color
- Decorative nameplate
- 120V Primary
- 24V Secondary, 10VA

Table IAQ-7-A — Specifications: Humidifier with Humidistat

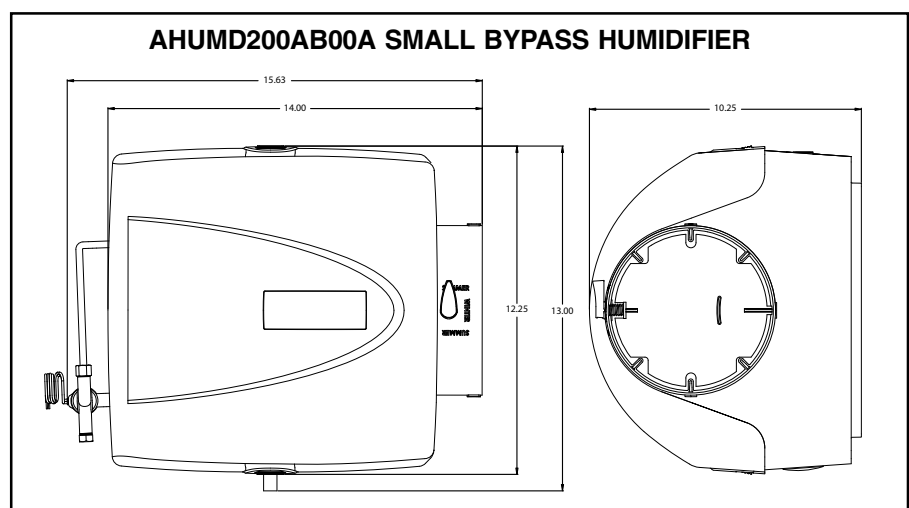
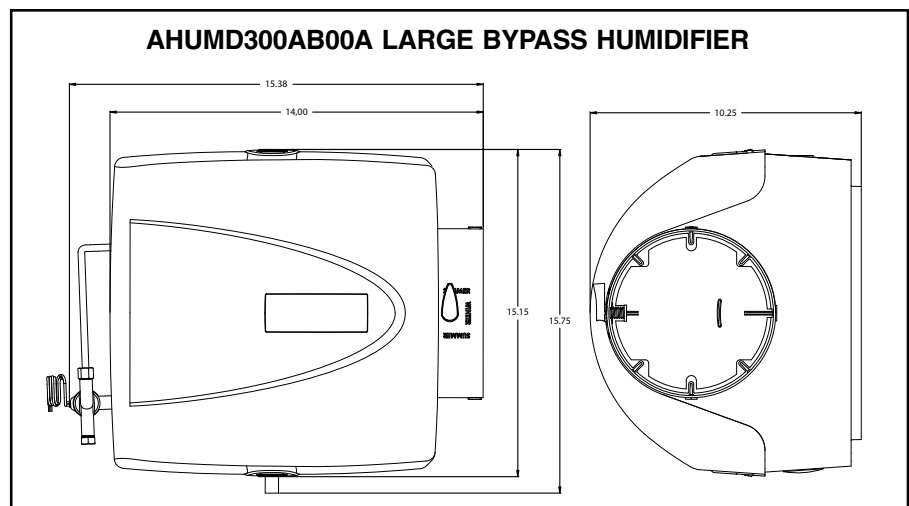
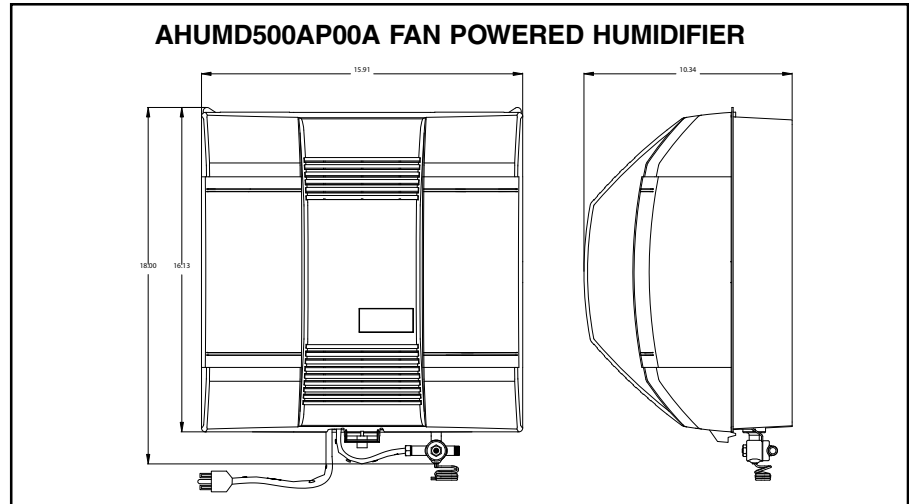
Model Number	Description	Used With	Mfg. Plant	Shipping Weight
AHUMD500APA00A ^{①④}	Fan Powered Humidifier	All Furnace Models	TY	1
AHUMD300ABA00A ^②	Large Bypass Humidifier	All Furnace Models	TY	1
AHUMD200ABM00A ^③	Small Bypass Humidifier	All Furnace Models	TY	1

- ① Includes Automatic Humidifier Control (Duct Mount Only).
 ② Includes Automatic Humidifier Control (Duct Mount Only) and 120/24V transformer.
 ③ Includes Manual Humidifier Control and 120/24V transformer.
 ④ Not applicable for horizontal installations.

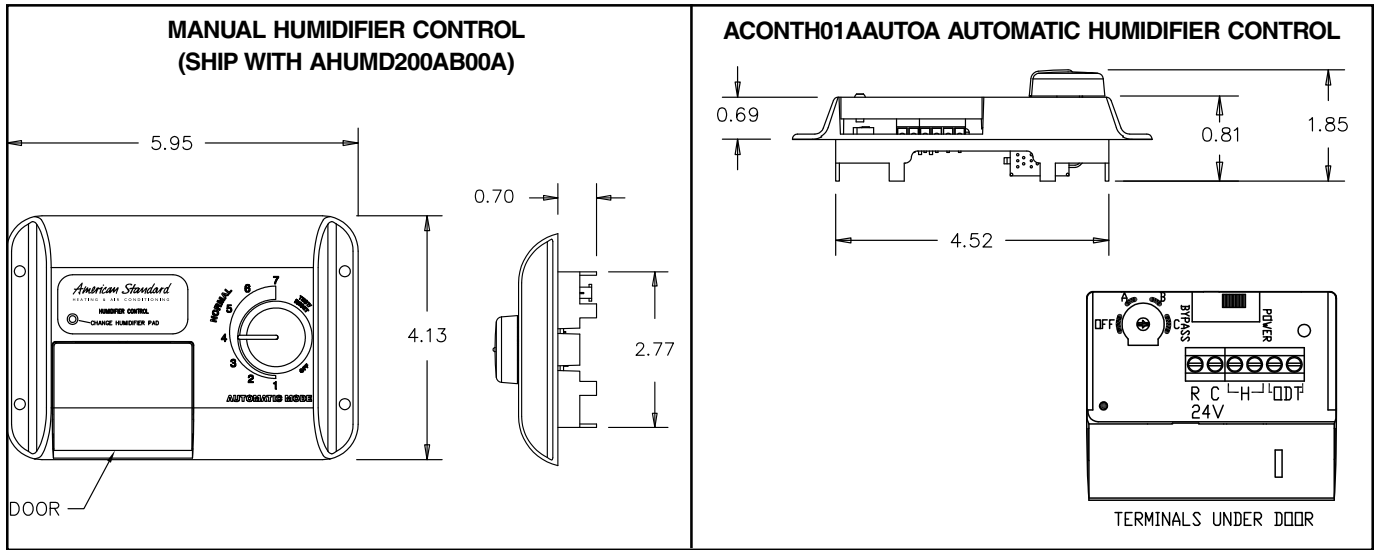
Table IAQ-7-B — Accessories

Model Number	Description	Used With	Mfg. Plant	Shipping Weight
BAYPAD02A1310A	Large Humidifier Pad 13"x10"	AHUMD500,300A	TY	1
BAYPAD01A1010A	Small Humidifier Pad 9-7/8"x9-5/8"	AHUMD200A	TY	1
ACONTH01AAUTOA	Automatic Humidifier Control	AHUMD200A	TY	1
BAYRLY10ASENSA	Current Sensing Relay	All	TY	1
BAYPLT01AMHCOA	Adapter Plate (Duct Mount)	Manual Humidifier Control	TY	1

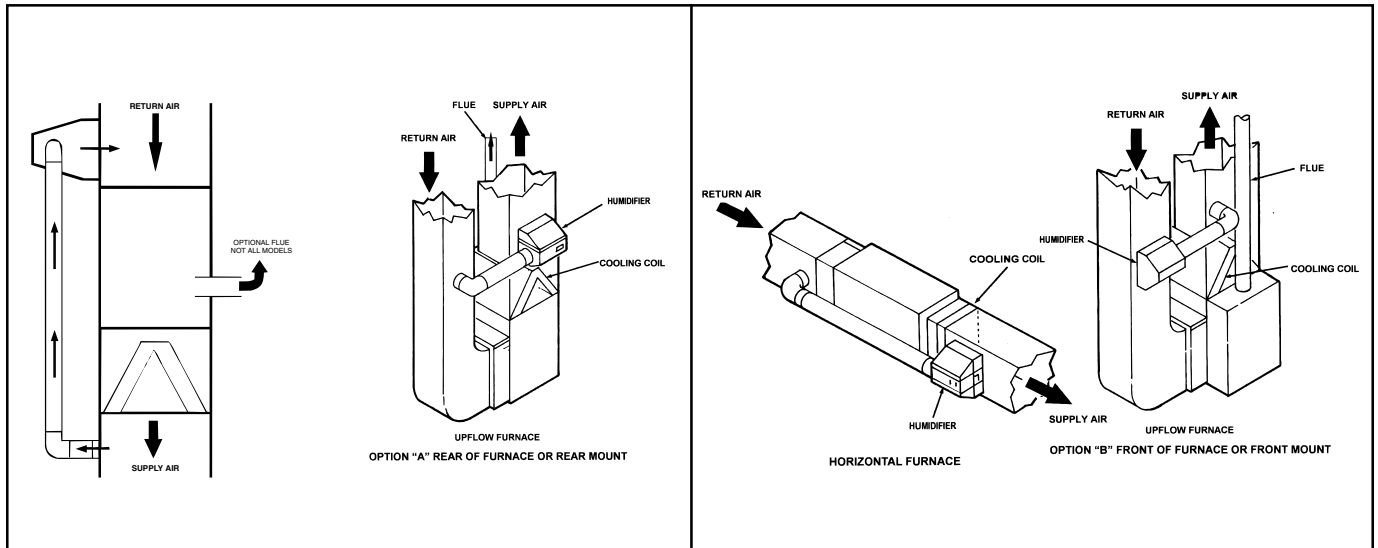
Humidifiers Fan Powered and Bypass



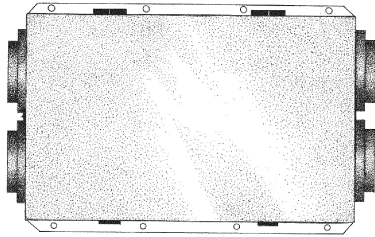
Humidifiers Fan Powered and Bypass



SUGGESTED BYPASS HUMIDIFIER LOCATIONS



Energy Recovery Ventilator (ERV)



- American Standard ERV technology for all seasons and climates
- Static plate energy transfer core for efficient transfer of heat and moisture
- Passive defrost - condensate drain not required
- Balancing dampers not required
- Multi position mounting
- Percent Timer (PT) control included with ERV for simple, automatic operation
- Optional push button control for use with PT control
- Cam action door latches for quick service access
- Heavy gauge, powder painted steel cabinet
- Permanently lubricated motor bearings (ball bearings)
- 6" and 8" double collar duct connections for AERVR100 and 200
- 8" round compatible duct connection for AERVR300
- Closed cell foam gasketing for insulation integrity
- 1" duct board insulation with cleanable foil face
- May be installed in conditioned and unconditioned spaces
- Cabinet / Door color: American Standard Polyslate Gray / Dusty Basalt Gray
- **5-year limited warranty on parts**
- **10-year limited warranty on energy transfer core**
- **Optional extended warranty**

Table IAQ-10-A — Specifications: ERV

Model Number	Nominal Airflow (CFM)	Power Supply	Uncrated Dimensions (In.)			Shipping Weight
			H	W	D	
AERVR100A9P00A ^①	130	120/1/60	20-1/8	28-3/4	13	58
AERVR200A9P00A ^①	200	120/1/60	20-1/8	28-3/4	23-7/8	80
AERVR300A9P00A ^①	300	120/1/60	20-1/8	28-3/4	23-7/8	88

^① Percent Timer Control included with the ERV.

Table IAQ-10-B — Specifications: ERV

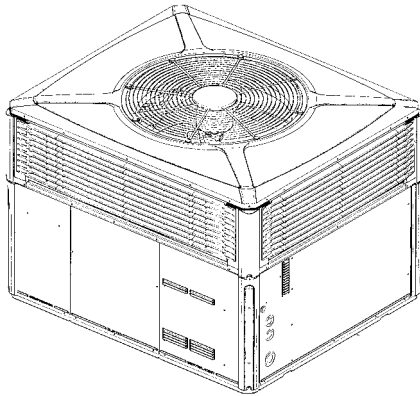
Model Number	Apparent Sensible Effectiveness(32°F)	Sensible Recovery Effectiveness(32°F)	Latent Recovery (32°F)	Total Recovery (32°F)
AERVR100A9P00A	80% @ 120 cfm	84% @ 120 cfm	73% @ 251 cfm	51% @ 63 cfm
AERVR200A9P00A	72% @ 120 cfm	77% @ 120 cfm	64% @ 251 cfm	59% @ 63 cfm
AERVR300A9P00A	44% @ 120 cfm	63% @ 120 cfm	40% @ 251 cfm	31% @ 252 cfm

Table IAQ-10-C — Optional Accessories

Model Number	Description	Used With	Shipping Weight
ACONTV10APBC0A	Point of Use Push Button Control	ERV models 100, 200, 300	1
BAYFLT10A1010A	Filters - 2 per pack	ERV models 100	1
BAYFLT20A1020A	Filters - 2 per pack	ERV models 200, 300	1
BAYWHT10AVENTA ^②	6 inch White Vinyl Ventilation Hood	ERV models 100, 200	1
BAYBRN10AVENTA ^②	6 inch Brown Vinyl Ventilation Hood	ERV models 100, 200	1
BAYGLV10AVENTA ^②	8 inch Galvanized Ventilation Hood	ERV models 300	2

^② Qty 1

Packaged Cooling Convertible 2-5 Tons



- High efficiency variable speed ECM indoor blower motors with **Comfort-R™** airflow system
- Architecturally integrated louvers and corner guards deliver durable protection, extra safety, and great looks

- Weather Beater Top contoured for great appearance and reinforced for strength
- Ultra quiet operation provides best-in-class performance with barely noticeable sound levels
- Appliance grade finish of durable powder paint baked on both sides of the panels
- Exclusive **Duration™** high efficiency compressor with internal overload protection
- Ducted outdoor fan with a high efficiency motor for quiet and reliable operation
- Semi-Elliptical, Logarithmic Expansion Composite **Vortica®** blower provides better airflow and less sound while using less energy
- **Spine Fin™** outdoor coil for long lasting performance and durability
- Right side electrical service access for high and low voltage connections
- Rugged steel basepan features deep drawn duct connections
- Steeply sloped composite drainpan
- Ships in horizontal configuration and converts quickly for downflow
- Complete set of electric heaters designed for all models. Features a polarized plug for easy installation
- Copper tube, aluminum fin indoor coil
- Optional filter rack kits fit inside the unit. Available for 1" or 2" media
- Non-bleed expansion valves on indoor and outdoor coils
- Pressure taps, including liquid line taps, easily accessed and protected inside compressor compartment
- Standard operation to 55°F as manufactured
- Low ambient cooling to 0°F with kit
- UL approved and listed
- **10-year compressor, 10-year outdoor coil, and 5-year other parts limited warranty (Residential Use Only)**
- **Optional extended warranty**

Table PC-1-A — 4TCY4 - Allegiance® 14 - Convertible Packaged Cooling - R-410A

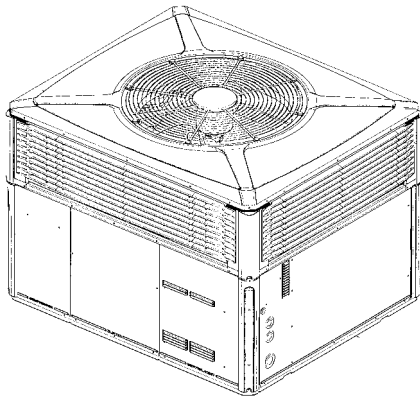
Model Number	Capacity	SEER/EER	Shipping Weight	MCA	Max Fuse	Sound Rating	Cabinet Dimensions (in.)	
							H	D x W
4TCY4 – 208-230/1/60								
4TCY4024A1000A	23,400	14.00/11.70	444	16.5	25	68	36	43 x 51
4TCY4030A1000A [Ⓛ]	30,000	14.00/12.00	444	19.1	30	71	36	43 x 51
4TCY4036A1000A	36,000	14.00/11.60	450	24.6	40	69	36	43 x 51
4TCY4042A1000A [Ⓛ]	42,000	14.25/12.00	607	31.6	50	74	38	46 x 61
4TCY4048A1000A	48,000	14.00/11.90	607	33.8	50	72	38	46 x 61
4TCY4060A1000A	60,000	14.00/12.00	610	42.3	60	76	42	46 x 61
4TCY4 – 208-230/3/60								
4TCY4036A3000A	36,000	14.00/11.60	450	19.8	30	69	36	43 x 51
4TCY4048A3000A	48,000	14.00/11.90	607	26.4	40	72	38	46 x 61
4TCY4060A3000A	60,000	14.00/12.00	610	30.6	45	76	42	46 x 61

[Ⓛ] Available in March 2008.

For dimensional/outline drawings, please refer to Product Data.

**For information on Roof Curbs, please refer to the
Accessories/Information Tab.**

Packaged Cooling Convertible 1½-5 Tons



- Architecturally integrated louvers and corner guards deliver durable protection, extra safety, and great looks
- Weather Beater Top contoured for great appearance and reinforced for strength

- Ultra quiet operation provides best-in-class performance with barely noticeable sound levels
- Appliance grade finish of durable powder paint baked on both sides of the panels
- Exclusive **Duration™** high efficiency compressor with internal overload protection
- Ducted outdoor fan with a high efficiency motor for quiet and reliable operation
- Composite **Vortica®** blower provides better airflow and less sound while using less energy
- **Spine Fin™** outdoor coil for long lasting performance and durability
- Right side electrical service access for high and low voltage connections
- Rugged steel basepan features deep drawn duct connections
- Steeply sloped composite drainpan
- Ships in horizontal configuration and converts quickly for downflow
- Complete set of electric heaters featuring a polarized plug for easy installation
- Optional filter rack kits fit inside the unit. Available for 1" or 2" media
- Non-bleed expansion valves on indoor and outdoor coils
- Copper tube, aluminum fin indoor coil
- Direct drive multi-speed indoor blower motors
- Pressure taps, including liquid line tap, easily accessed and protected inside compressor compartment
- Standard operation to 55°F as manufactured
- Low ambient cooling to 0°F with kit
- UL approved and listed
- **10-year compressor, 10-year outdoor coil, and 5-year other parts limited warranty (Residential Use Only)**
- **Optional extended warranty**

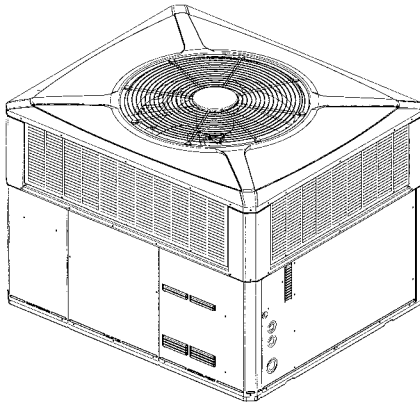
Table PC-2-A — 4TCX3 - Allegiance® 13 - Convertible Packaged Cooling - R-410A

Model Number	Capacity	SEER/EER	Shipping Weight	MCA	Max Fuse	Sound Rating	Cabinet Dimensions (in.) H x D x W
4TCX3 – 208-230/1/60							
4TCX3018A1000A	18,000	13.00/11.00	444	10.1	15	69	36 x 43 x 51
4TCX3024A1000A	24,000	13.00/11.20	444	13.6	20	70	36 x 43 x 51
4TCX3030A1000A	29,600	13.00/11.00	445	21.7	35	72	36 x 43 x 51
4TCX3036A1000A	36,000	13.20/11.00	450	23.2	35	72	36 x 43 x 51
4TCX3042A1000A	42,000	13.00/11.00	523	27.9	45	72	38 x 46 x 61
4TCX3048A1000A	46,500	13.00/11.00	607	31.1	50	72	38 x 46 x 61
4TCX3060A1000A	60,000	13.20/11.00	610	43.5	60	72	40 x 46 x 61
4TCX3 – 208-230/3/60							
4TCX3036A3000A	36,000	13.20/11.00	450	18.2	30	72	36 x 43 x 51
4TCX3048A3000A	46,500	13.00/11.00	607	23.6	35	72	38 x 46 x 61
4TCX3060A3000A	60,000	13.20/11.00	610	31.7	50	72	40 x 46 x 61
4TCX3 – 460/3/60							
4TCX3036A4000A	36,000	13.20/11.00	450	8.7	15	72	36 x 43 x 51
4TCX3048A4000A	46,500	13.00/11.00	607	11.7	15	72	38 x 46 x 61
4TCX3060A4000A	60,000	13.20/11.00	610	19.5	25	72	40 x 46 x 61

For dimensional/outline drawings, please refer to Product Data.

**For information on Roof Curbs, please refer to the
Accessories/Information Tab.**

Packaged Cooling Convertible 1½-5 Tons



- All steel louvers and cabinet for rugged, long lasting protection
- Weather Beater Top contoured for great appearance and reinforced for strength
- Quiet operation delivers great in-home comfort with minimal sound
- Appliance grade finish of durable powder paint baked on both sides of the panels
- Exclusive **Duration™** high efficiency compressor with internal overload protection
- High efficiency outdoor fan motor for quiet and reliable operation
- Composite **Vortica®** blower provides better airflow and less sound while using less energy
- **Spine Fin™** outdoor coil for long lasting performance and durability
- Right side electrical service access for high and low voltage connections
- Rugged steel basepan features deep drawn duct connections
- Steeply sloped composite drainpan
- Ships in horizontal configuration and converts quickly for downflow
- Complete set of electric heaters featuring a polarized plug for easy installation
- Optional filter rack kits fit inside the unit Available for 1" or 2" media
- Copper tube, aluminum fin indoor coil
- Non-bleed expansion valves on indoor and outdoor coils
- Direct drive multi-speed indoor blower motors
- Pressure taps, including liquid line tap, easily accessed and protected inside compressor compartment
- Standard operation to 55°F as manufactured
- Low ambient cooling to 0°F with kit
- UL approved and listed
- **5-year compressor and other parts limited warranty. (Residential Use Only)**
- **Optional extended warranty**

Table PC-3-A — 4TCC3 - American Standard 13 - Convertible Packaged Cooling - R-410A

Model Number	Capacity	SEER/EER	Shipping Weight	MCA	Max Fuse	Sound Rating	Cabinet Dimensions (in.) H x D x W
4TCC3 – 208-230/1/60							
4TCC3018A1000A	18,000	13.00/11.00	444	10.1	15	74	36 x 43 x 51
4TCC3024A1000A	23,000	13.00/11.00	444	13.6	20	76	36 x 43 x 51
4TCC3030A1000A	28,000	13.00/11.00	445	21.7	35	75	36 x 43 x 51
4TCC3036A1000A	35,000	13.00/11.00	450	23.2	35	76	36 x 43 x 51
4TCC3042A1000A	40,000	13.00/11.00	523	27.9	45	78	38 x 46 x 61
4TCC3048A1000A	46,500	13.00/11.00	607	31.1	50	80	38 x 46 x 61
4TCC3060A1000A	58,000	13.00/11.00	610	43.5	60	79	40 x 46 x 61
4TCC3 – 208-230/3/60							
4TCC3036A3000A	35,000	13.00/11.00	450	18.2	30	76	36 x 43 x 51
4TCC3048A3000A	46,500	13.00/11.00	607	23.6	35	80	38 x 46 x 61
4TCC3060A3000A	58,000	13.00/11.00	610	31.7	50	79	40 x 46 x 61
4TCC3 – 460/3/60							
4TCC3036A4000A	35,000	13.00/11.00	450	8.7	15	76	36 x 43 x 51
4TCC3048A4000A	46,500	13.00/11.00	607	11.7	15	80	38 x 46 x 61
4TCC3060A4000A	58,000	13.00/11.00	610	19.5	25	79	40 x 46 x 61

For dimensional/outline drawings, please refer to Product Data.

For information on Roof Curbs, please refer to the Accessories/Information Tab.

Packaged Cooling Convertible 1½-5 Tons

Table PC-4-A — Accessories

	4TCY4 2-5	4TCX3 1½-5	4TCC3 1½-5
BAYACCDOR1A Hinged Filter Access Door	2-3	1½-3	1½-3
BAYACCDOR2A Hinged Filter Access Door	3½-5	3½-5	3½-5
BAYADAP050A Adapter Curb (Cabinet A/B)	2-3	1½-3	1½-3
BAYADAP051A Adapter Curb (Cabinet C)	2-3	1½-3	1½-3
BAYADAP052A Adapter Curb (Cabinet A/B)	3½-5	3½-5	3½-5
BAYADAP053A Adapter Curb (Cabinet C)	3½-5	3½-5	3½-5
BAYADAP054A Adapter Curb (Cabinet D)	3½-5	3½-5	3½-5
BAYASCT001 Anti-Short Cycle Timer®	✓	✓	✓
BAYCCHT101A Crankcase Heater (230V) (Reciprocating)	2	1½-2	1½-2
BAYCCHT102A Crankcase Heater (230V) (Scroll)	2½-5	2½-5	2½-5
BAYCCHT404B Crankcase Heater (460V) (Scroll)	3,4,5	3,4,5	3,4,5
BAYCOVR112A 12" Duct Shourd (Covers Horizontal Ducts)®	2-5	1½-5	1½-5
BAYCOVR118A 18" Duct Shourd (Covers Horizontal Ducts)®	2-5	1½-5	1½-5
BAYCURB050A Flat Roof Curb (Insulated)®	2-3	1½-3	1½-3
BAYCURB051A Flat Roof Curb (Insulated)®	3½-5	3½-5	3½-5
BAYDMPR101A 2-Position Motorized Fresh Air Damper①②③④	2-3	1½-3	1½-3
BAYDMPR102A 2-Position Motorized Fresh Air Damper①②③④	3½-5	3½-5	3½-5
BAYECON101A Economizer with Barometric Relief①③④⑦⑧⑨	2-3	1½-3	1½-3
BAYECON102A Economizer with Barometric Relief①③④⑦⑧⑨	3½-5	3½-5	3½-5
BAYECON200A Economizer (Horizontal)①③⑦⑩	2-3	1½-3	1½-3
BAYECON201A Economizer (Horizontal)①③⑦⑩	3½-5	3½-5	3½-5
BAYENTH001A Enthalpy Control Kit③	✓	✓	✓
BAYEXMK001A Extreme Conditions Mounting Kit (Used on BAYCURB & BAYADAP)	✓	✓	✓
BAYEXMK002B Extreme Conditions Mounting Kit (Used on BAYUTIL)	✓	✓	✓
BAYEXMK003A Extreme Conditions Mounting Kit (Used on Slab Mounts)	✓	✓	✓
BAYFLTR101B 1-2" Filter Frame (requires one 20x25 filter which is not included)①	2-3	1½-3	1½-3
BAYFLTR201B 1-2" Filter Frame (requires one 20x20 and one 20x18 filter which are not included)①	3½-5	3½-5	3½-5
BAYLIFT002B Lifting Lug Kit	✓	✓	✓
BAYLOAM011A Evaporator Defrost Control Kit	✓	✓	✓
BAYLOAM105A Low Ambient Control Kit	✓	✓	✓
BAYOSAH001A Manual Fresh Air Damper①	2-3	1½-3	1½-3
BAYOSAH002A Manual Fresh Air Damper①	3½-5	3½-5	3½-5
BAYQSTK300A Quick Start Kit	1 Phase Only	1 Phase Only	1 Phase Only
BAYSQRD001A 16" Round Duct Adapter®	2-3	1½-3	1½-3
BAYSQRD002A 18" Round Duct Adapter®	2-5	1½-5	1½-5
BAYUTIL101B Roof Curb Utility Extension Kit	2-3	1½-3	1½-3
BAYUTIL102B Roof Curb Utility Extension Kit	3½-5	3½-5	3½-5

- ① Must use filter frame when economizer/fresh air kit is used.
- ② Ships knocked down.
- ③ Dry bulb control standard with economizer.
- ④ Downflow Only.
- ⑤ Full perimeter curb for 4TC*3018-036A.
- ⑥ Full perimeter curb for 4TC*3042-060A.
- ⑦ 2-Stage cooling control required when using economizer.
- ⑧ Do not use with electronic thermostats.
- ⑨ It is the responsibility of the installing dealer to properly size the ductwork for each specific application.
- ⑩ BAYCOVR112,118A will not cover BAYSQRD002A applications.
- ⑪ Does not contain barometric relief.
- ⑫ Max fresh air - 25%.
- ⑬ For non-continuous fan gas-heating applications, the damper opens only when the OD ambient is above 50° F.
- ⑭ It is the designer/engineer's responsibility to review product specifications prior to equipment selection to insure optimal performance and compliance to codes.
- ⑮ Temperature of mixed air entering the heat exchanger is monitored and fresh air intake may be reduced under certain conditions.

EXISTING CURB	NEW UNIT 2/4TC/WC/YC****A	USE BAYADAP0**A
BAYCURB030,38A	018-036	50
BAYCURB030,38A	042-060	52
BAYCURB033A	018-036	51
BAYCURB033A	042-060	53
BAYCURB034A	042-060	54

For dimensional/outline drawings, please refer to Product Data.

**For information on Roof Curbs, please refer to the
Accessories/Information Tab.**

Packaged Cooling Convertible 1½-5 Tons

Table PC-5-A — Supplementary Heaters – Separate power source /power entry required

Model Number	Description	Used With	Shipping Weight
BAYHTRV105E	3.76/5.0 kW Heater (208/240V 1PH)	4TC*3018-060A1,4024-060A1	9
BAYHTRV108E	6.0/8.0 kW Heater (208/240V 1PH)	4TC*3018-060A1,4024-060A1	10
BAYHTRV110E	7.50/10.0 kW Heater (208/240V 1PH)	4TC*3024-060A1,4024-060A1	10
BAYHTRV115E	11.27/15.00 kW Heater (208/240V 1PH)	4TC*3030-060A1,4036-060A1	14
BAYHTRV120E	15.00/20.0 kW Heater (208/240V 1PH)	4TC*3048-060A1,4048-060A1	14
BAYHTRV125E	18.78/25.0 kW Heater (208/240V 1PH)	4TC*3060A1,4048-060A1	21
BAYHTRV305E	3.76/5.0 kW Heater (208/240V 3PH)	4TC*3018-060A3,4036-060A3	9
BAYHTRV308E	6.0/8.0 kW Heater (208/240V 3PH)	4TC*3018-060A3,4036-060A3	10
BAYHTRV310E	7.50/10.0 kW Heater (208/240V 3PH)	4TC*3024-060A3,4036-060A3	10
BAYHTRV315E	11.27/15.00 kW Heater (208/240V 3PH)	4TC*3030-060A3,4036-060A3	14
BAYHTRV320E	15.0/20.0 kW Heater (208/240V 3PH)	4TC*3048-060A3,4048-060A3	14
BAYHTRV325E	18.78/25.0 kW Heater (208/240V 3PH)	4TC*3060A3,4048-060A3	20
BAYHTRV405E	3.76/5.0 kW Heater (480V 3PH)	4TC*3018-060A4	9
BAYHTRV408E	8.0 kW Heater (480V 3PH)	4TC*3018-060A4	10
BAYHTRV410E	10.0 kW Heater (480V 3PH)	4TC*3024-060A4	10
BAYHTRV415E	15.00 kW Heater (480V 3PH)	4TC*3030-060A4	14
BAYHTRV420E	20.0 kW Heater (480V 3PH)	4TC*3048-060A4	14
BAYHTRV425E	25.0 kW Heater (480V 3PH)	4TC*3060A4	16

Table PC-5-B — Single Power Entry Kit/Heater Matrix:

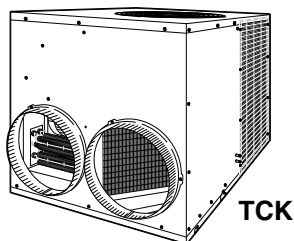
Single Power Entry Kit [Ⓞ]	Heater Model	Unit Model	Shipping Weight
BAYSPEK060E	BAYHTRV105E	4TC*3018-048A1,4TCY4024-048A1	3
	BAYHTRV108E	4TC*3018-048A1,4TCY4024-060A1	
	BAYHTRV110E	4TC*3024-036A1,4TCY4024-036A1	
BAYSPEK061E	BAYHTRV305E	4TC*3036-060A3,4TCY4036-060A3	7
	BAYHTRV308E	4TC*3036-060A3,4TCY4036-060A3	
	BAYHTRV310E	4TC*3036-048A3,4TCY4036-048A3	
	BAYHTRV315E	4TC*3036-060A3,4TCY4036-048A3	
	BAYHTRV405E	4TC*3036-060A4	
	BAYHTRV408E	4TC*3036-060A4	
	BAYHTRV410E	4TC*3036-060A4	
	BAYHTRV415E	4TC*3036-060A4	
	BAYHTRV420E	4TC*3048-060A4	
BAYSPEK062E	BAYHTRV105E	4TC*3060A1	7
	BAYHTRV108E	4TC*3060A1	
	BAYHTRV110E	4TC*3060A1,4TCY4036-060A1	
BAYSPEK063E	BAYHTRV115E	4TC*3030-060A1,4TCY4036-060A1	7
	BAYHTRV120E	4TC*3048-060A1,4TCY4048-060A1	
BAYSPEK064E	BAYHTRV320E	4TC*3048-060A3,4TCY4048-060A3	6

Ⓞ All necessary fuses are included in kit; however, not all kits require fuses. Please refer to BAYSPEK Installers Guide.
Note: Replace "" with "C" or "X" as appropriate.

For dimensional/outline drawings, please refer to Product Data.

**For information on Roof Curbs, please refer to the
Accessories/Information Tab.**

Packaged Cooling 2-3½ Tons



- **Duration™** compressor
- Compressor motor overload protection
- Energy Saving Demand defrost control system

- Copper tube, aluminum plate fin coils
- Shaft-down outdoor fan system
- Steeply sloped composite drain pan eliminates standing water
- Waterproof closed-cell foam evaporator base insulation
- Weather resistant powder paint
- Powder painted base pan
- 14" round duct connections included
- Wrap-around vinyl-coated wire coil guards
- Extra quiet operation
- Thermal expansion valves
- External pressure taps for refrigerant checks
- Polarized plug for easy field connection of low voltage to supplementary heaters
- Low ambient cooling to 45° F as manufactured
- Low ambient cooling to 0° F with accessory BAYLOAM011A
- TCK030B,036B and 042B contain high efficiency indoor blower motors
- UL listed
- **5-year limited warranty on compressor, and 5-year on all other parts (Residential Use Only)**
- **Optional extended warranties**

Table PC-6-A — Manufactured Housing - Single Phase (208-230/1/60)

Tons	Unit Model No.	SEER/VEER*	Cooling Capacity (Btuh)	Dimensions (in.) H x D x W	Round Supply Opening	Round Return Opening	Shipping Weight (lbs.)	Sound Rating	Compressor
2	TCK024B100A	13.00/11.50	26,000	31 x 32 x 44	14"	14"	334	75	R1
2½	TCK030B100A	13.00/12.60	36,000	31 x 32 x 44	14"	14"	338	75	S
3	TCK036B100A	13.00/11.80	36,000	31 x 32 x 44	14"	14"	344	75	S
3½	TCK042B100A	13.00/11.45	41,000	31 x 32 x 44	14"	14"	355	77	S

* Information subject to change. Please confirm with current Product Data/Service Facts for current factory production.

Table PC-6-B — Supplementary Heaters – Separate power source /power entry required

Model Number	Description	Used With	Shipping Weight
BAYHTRK105A	3.74/4.98 kW Heater (208/240)	TCK024-42B1	9
BAYHTRK110A	7.47/9.96 kW Heater (208/240)	TCK024-42B1	10
BAYHTRK116A [Ⓢ]	11.18/14.94 kW Heater (208/240)	TCK036-42B1	10

[Ⓢ] This model has a factory provided fuse box.

Table PC-6-C — Electric Heater Data

Unit Model No.	Electric Heater Model	Rated Voltage	Heater kW 208/240	Using Single Supply Circuit			Heater Only Supply Circuit		
				TCK Cooling/HTG			Max Fuse or HACR CKT		
				MCA [Ⓢ]	Max Fuse or HACR CKT BKR Size [Ⓢ]	Canada Only Max. CKT BKR Size [Ⓢ]	MCA [Ⓢ]	Max Fuse or HACR CKT BKR Size [Ⓢ]	Canada Only Max. CKT BKR Size [Ⓢ]
TCK024B1	BAYHTRK105A	208/240	3.74/4.98	25/29	25/30	30/30	23/26	25/30	30/30
	BAYHTRK110A	208/240	7.48/9.96	47/55	50/60	50/60	45/52	45/60	50/60
	BAYHTRK111A	208/240	7.48/9.96	NOT USED WITH TCK024B			45/52	45/60	50/60
TCK030B1	BAYHTRK105A	208/240	3.74/4.98	28/31	30/35	30/40	23/26	25/30	30/30
	BAYHTRK110A	208/240	7.48/9.96	50/57	50/60	50/60	45/52	45/60	50/60
TCK036B1	BAYHTRK105A	208/240	3.74/4.98	28/31	30/35	30/40	23/26	25/30	30/30
	BAYHTRK110A	208/240	7.48/9.96	50/57	50/60	50/60	45/52	45/60	50/60
	BAYHTRK116A	208/240	11.22/14.94	73/83	80/90	100/100	68/78	70/80	70/100
TCK042B1	BAYHTRK105A	208/240	3.74/4.98	30/34	30/35	30/40	23/26	25/30	30/30
	BAYHTRK110A	208/240	7.48/9.96	53/59	60/60	60/60	45/52	45/60	50/60
	BAYHTRK116A	208/240	11.22/14.94	75/85	80/90	100/100	68/78	70/80	70/100

NOTES:

- Ⓢ Any power supply and circuits must be wired and protected in accordance with local electrical codes.
- Ⓢ The MCA values listed are for electric heater and cooling unit.
- Ⓢ Field wire must be rated at least 75°C.
- Ⓢ The HACR circuit breaker is for U.S.A. installations only.
- Ⓢ For Canada installation reference only.
- Ⓢ The MCA values listed are for electric heater only.
- Ⓢ The MCA values listed are for electric heater and heat pump.

For dimensional/outline drawings, please refer to Product Data.

For information on Roof Curbs, please refer to the Accessories/Information Tab.

Table PC-7-A — Accessories

Model No.	Description	Used With
BAYASCT001①	Anti-Short Cycle Timer	All TCK Models
BAYECMT002A	Extreme Conditions Mounting Kit (Curb Mount)	All TCK Models
BAYLOAM011A	Low Ambient Cooling Kit	All TCK Models
BAYECMT003A	Extreme Conditions Mounting Kit (Slab and Rack Mount)	All TCK Models
BAYSTAT033A	Outdoor Thermostat	All TCK Models
TAYASCT501A④	5-7 Minute Delay Relay	All TCK Models

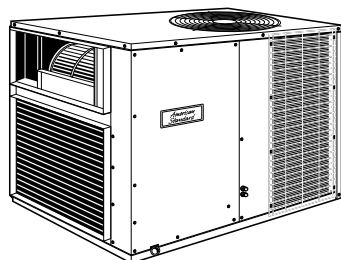
Comfort Controls — See Comfort Controls/Zone Sensors Section

① Not for use with electronic thermostats.

For dimensional/outline drawings, please refer to Product Data.

**For information on Roof Curbs, please refer to the
Accessories/Information Tab.**

Packaged Cooling Over/Under 2-5 Tons



TCH

- **Duration™** compressor
- Over (supply) under (return) air configuration
- Compressor motor overload protection
- Internal pressure relief valve
- Copper tube, aluminum plate fin coils
- Pressure taps for refrigerant check
- Top discharge condensing fan
- Indoor fan relay
- Top access to supplementary heater
- Polarized plug for easy field connection of low voltage to supplementary heaters
- Factory installed wrap around coil guard
- Expansion valve on indoor coil
- Heavy gauge steel cabinet
- Multi-speed direct drive blower motor
- Variable speed direct drive blower motor, TCH042-060F models only
- Low ambient cooling to 45° F as manufactured
- Low ambient cooling to 0° F with accessory BAYLOAM011A
- TCH030C-060F contain high efficiency indoor blower motors
- UL listed
- **5-year limited warranty on compressor and 5-year on all other parts (Residential Use Only)**
- **Optional extended warranties**

Table PC-8-A — TCH – Over/Under Horizontal Unit

Unit Model No.	Power Supply Volts Phase/Hz	SEER/EER*	Nom. Cap. Cooling (Btuh)	Dimensions (in.) H x D x W	Shipping Weight (lbs.)	MCA*	Max Fuse*	Sound Rating	Comp.
Single Phase									
TCH024C100A	208-230/1/60	13.00/12.00	25,600	30 ³ / ₈ x 31 ⁵ / ₈ x 44	326	16	25	78	R1
TCH030C100A	208-230/1/60	13.00/12.15	29,600	30 ³ / ₈ x 31 ⁵ / ₈ x 44	328	20	30	75	R2
TCH036C100B	208-230/1/60	13.00/11.35	35,000	30 ³ / ₈ x 31 ⁵ / ₈ x 44	333	23	35	75	R2
TCH042C100A	208-230/1/60	13.00/11.30	40,500	30 ³ / ₈ x 31 ⁵ / ₈ x 44	340	28	40	77	R2
TCH048F100A	208-230/1/60	13.75/12.35	50,000	33 x 45 x 58	504	37	50	84	S
TCH060F100A	208-230/1/60	13.00/11.45	62,000	33 x 45 x 58	509	48	60	84	S

Tons	Supply H x W	Return H x W
2 – 3 ¹ / ₂	8 ³ / ₈ x 27 ³ / ₈	16 ³ / ₄ x 27 ³ / ₈
4 – 5	8 ¹ / ₂ x 32 ¹ / ₃₂	19 ¹⁵ / ₁₆ x 32 ¹ / ₃₂

Dimensions are in inches. See Outline Dimensions.

* Information subject to change. Please confirm with current Product Data/Service Facts for current factory production.

Table PC-8-B — Supplementary Heaters – Heater Matrix

Model No.	Power Supply	kW Rating	Used With
BAYHTRC106A	208-240/1/60	4.33/5.76 kW	TCH024-042C100, 048F, 060F100
BAYHTRC109A	208-240/1/60	6.12/8.16 kW	TCH036C1, 042C1
BAYHTRC110A	208-240/1/60	7.93/10.56 kW	TCH048F1 only
BAYHTRC111A	208-240/1/60	7.93/10.56 kW	TCH024-042C100, 060F1
BAYHTRC117A ^①	208-240/1/60	12.98/17.28kW	TCH030-042C100, 048F, 060F1

Table PC-8-C — Accessories

Model No. Description	Used With
BAY41X171A	5 or 7 Minute Delay Relay All TCH Models
BAYASCT001 ^{②③}	Anti-Short Cycle Timer All TCH Models
BAYECMT002A	Extreme Conditions Mounting Kit (Curb Mount) All TCH Models
BAYECMT003A	Extreme Conditions Mounting Kit (Slab and Rack Mount) All TCH Models
BAYLOAM011A	Low Ambient Cooling Kit All TCH Models

Comfort Controls — See Comfort Controls/Zone Sensors Section

- ① This model has a factory installed fuse box.
- ② Not for use with electronic thermostats.
- ③ Activated on Power Off.

For dimensional/outline drawings, please refer to Product Data.

**For information on Roof Curbs, please refer to the
Accessories/Information Tab.**

Packaged Cooling Convertible 3-10 Tons



Featuring A New Look for a New Century

Beveled Top
Smoother Design
Small compact cabinet
Recessed access handles

Standard Features:

- American Standard Heating & Air Conditioning built scroll compressors on all 3-10 ton units except 3 ton standard efficiency model (Reciprocating Compressor)
- Colored and numbered wiring
- Provisions for through the Base Condensate Drain Connections
- Patented Hybrid Condenser Coil for easy cleaning
- 1" throwaway filters provided on 3-5 ton units
- 2" throwaway filters provided on 6-10 ton units
- Liquid Line Refrigerant Drier
- Operating Charge of R-22 or R-410A
- IAQ Sloped Drain Pans
- Single point power for Electric Heat
- Low Ambient to 40°F on Electromechanical models
- Low Ambient to 0°F on ReliaTel™ models
- 5 - year Limited Compressor Warranty
- 1 - year Limited Parts Warranty

Added Flexibility

- Electromechanical or ReliaTel™ controls (**See page PC-19 for ReliaTel™ Control Information**)
- Standard or high efficiency cooling models available
- Convertible airflow (ships in downflow application)
- Fork lift openings on three sides of unit
- Direct or belt drive - standard or oversized motors (Direct for 3-5 ton only)
- We don't prepackage options
- Choose options tailored to suit each job —pay only for what is needed
- Units ship with options installed —and within our standard ship cycle time

Factory Installed Options

- Through-the-Base — Electrical
- Convenience Outlet — Powered or unpowered
- Unit Disconnect Switch
- Smoke Detectors — Supply, return, or both
- Condenser Coil Coating
- Hinged Access Service Panels
- Discharge Air Sensor
- Fan Fail and Clogged Filter Switches
- Condenser Coil Guard — Hail Protection Quality
- TXV thermal expansion valve and split face evaporator coil
- Dehumidification Hot Gas Reheat Coil
- Froststat
- Novar Controls
- 2" Pleated Media filters
- Phase Monitor

***The same American Standard Heating & Air Conditioning
Quality and Reliability ... with added Flexibility!***

Packaged Cooling Convertible 3-5 Tons, High Efficiency

Table PC-10-A — Base Unit — 13 SEER High Efficiency — R-22 — Electromechanical or ReliaTel™

Tons	Unit Ordering No.	Performance ^③ SEER/EER	Cooling Capacity (Btuh)	Cabinet Dimensions (in.) H x W x L	Downflow Supply	Downflow Return	Shipping Weight (lbs.)	MCA**	Max ^① Fuse**
THC – 208-230/3/60 – Three Phase – No Heat									
3	THC033A3*0A0000	13.0	38,000	32 x 43 x 69	18 x 15.5	24 x 14	549	19.9	30
4	THC043A3*0A0000	13.0	49,800	32 x 43 x 69	18 x 15.5	24 x 14	591	22.6	35
5	THC063A3*0A0000	13.0	62,400	36 x 43 x 69	18 x 15.5	24 x 14	641	28.8	45
THC – 460/3/60 – Three Phase – No Heat									
3	THC033A4*0A0000	13.0	38,000	32 x 43 x 69	18 x 15.5	24 x 14	549	10.4	15
4	THC043A4*0A0000	13.0	49,800	32 x 43 x 69	18 x 15.5	24 x 14	591	11.8	15
5	THC063A4*0A0000	13.0	62,400	36 x 43 x 69	18 x 15.5	24 x 14	641	14.3	20
THC – 575/3/60 – Three Phase – No Heat									
3	THC033AW*0A0000	13.0	38,000	36 x 43 x 69	18 x 15.5	24 x 14	549	7.7	15
4	THC043AW*0A0000	13.0	49,800	36 x 43 x 69	18 x 15.5	24 x 14	591	8.5	15
5	THC063AW*0A0000	13.0	62,400	36 x 43 x 69	18 x 15.5	24 x 14	641	11.4	15

Table PC-10-B — Base Unit — 15 SEER High Efficiency — R-410A — Electromechanical or ReliaTel™

Tons	Unit Ordering No.	Performance ^③ SEER/EER	Cooling Capacity (Btuh)	Cabinet Dimensions (in.) H x W x L	Downflow Supply	Downflow Return	Shipping Weight (lbs.)	MCA**	Max ^① Fuse**
THC – 208-230/3/60 – Single Phase – No Heat									
3	THC036E1*0A0000	15.0	35,620	36 x 44 x 69	18 x 15.5	24 x 14	555	26.7	40
4	THC048E1*0A0000	15.0	48,000	41 x 53 x 88	33 x 17.5	32.2 x 17.5	798	35.7	50
5	THC060E1*0A0000	15.0	59,900	41 x 53 x 88	33 x 17.5	32.2 x 17.5	823	43.8	70
THC – 208/3/60 – Three Phase – No Heat									
3	THC036E3*0A0000	15.0	35,620	36 x 44 x 69	18 x 15.5	24 x 14	555	29.9	30
4	THC048E3*0A0000	15.0	49,000	41 x 53 x 88	33 x 17.5	32.2 x 17.5	637	28.3	40
5	THC060E3*0A0000	15.0	59,900	41 x 53 x 88	33 x 17.5	32.2 x 17.5	869	32.1	45
THC – 460/3/60 – Three Phase – No Heat									
3	THC036E4*0A0000	15.0	35,620	36 x 44 x 69	18 x 15.5	24 x 14	555	10.0	15
4	THC048E4*0A0000	15.0	49,000	41 x 53 x 88	33 x 17.5	32.2 x 17.5	637	13.6	20
5	THC060E4*0A0000	15.0	59,900	41 x 53 x 88	33 x 17.5	32.2 x 17.5	869	16.8	25

① HACR breaker per NEC.

② Downflow Airflow/Horizontal Airflow.

③ SEER applies, 3-5 tons; EER applies 6-10 tons.

* Digit 9 - E = Electromechanical or R = ReliaTel™.

** Information subject to change. Please confirm with current Product Data/Service Facts for current factory production.

Packaged Cooling Convertible 3-10 Tons, Standard Efficiency

Table PC-11-A — Base Unit — Standard Efficiency — Electromechanical or ReliaTel™

Tons	Unit Ordering No.④	Performance② SEER/EER	Cooling Capacity (Btuh)	Cabinet Dimensions (in.) H x W x L	Downflow Supply	Downflow Return	Shipping Weight (lbs.)	MCA**	Max② Fuse**
TSC – 208-230/1/60 – Single Phase – No Heat									
3	TSC036E1*0A0000	13.0	38,000	36 x 43 x 69	18 x 15.5	24 x 14	555	27.2	40
4	TSC048E1*0A0000	13.0	49,000	36 x 43 x 69	18 x 15.5	24 x 14	586	35.2	50
5	TSC060E1*0A0000	13.0	58,000	36 x 43 x 69	18 x 15.5	24 x 14	636	43.8	70
TSC – 208-230/3/60 – Three Phase – No Heat									
3	TSC036A3*0A0000	10.7	37,400	32 x 43 x 69	18 x 15.5	24 x 14	501	17.9	25
4	TSC048A3*0A0000	10.0	49,200	32 x 43 x 69	18 x 15.5	24 x 14	526	23.9	35
5	TSC060A3*0A0000	10.2	63,100	36 x 43 x 69	18 x 15.5	24 x 14	543	31.5	50
3	TSC036E3*0A0000	13.0	38,000	36 x 43 x 69	18 x 15.5	24 x 14	555	21.4	30
4	TSC048E3*0A0000	13.0	49,000	36 x 43 x 69	18 x 15.5	24 x 14	586	25.2	35
5	TSC060E3*0A0000	13.0	60,000	36 x 43 x 69	18 x 15.5	24 x 14	636	29.5	45
6	TSC072E3*0A0000	11.2	71,200	42 x 53 x 88	33 x 17.5	32.13 x 17.5	898	36.5	50
7½	TSC092E3*0A0000	11.2	89,300	46 x 53 x 88	33 x 17.5	32.13 x 17.5	1009	43.3	50
8½	TSC102E3*0A0000	11.2	96,600	46 x 53 x 88	33 x 17.5	32.13 x 17.5	1048	46.3	60
10	TSC120E3*0A0000	10.6	110,300	46 x 53 x 88	33 x 17.5	32.13 x 17.5	1139	55.9	60
6	TSC072A3*0A0000	10.3	72,000	41 x 53 x 89	33 x 17.5	32.13 x 17.5	824	32.7	50
7½	TSC090A3*0A0000	10.3	90,000	41 x 53 x 89	33 x 17.5	32.13 x 17.5	897	42.7	60
7½	TSC092A3*0A0000	10.3	90,000	41 x 53 x 89	33 x 17.5	32.13 x 17.5	899	38.9	50
8½	TSC102A3*0A0000	10.5	105,000	47 x 53 x 89	33 x 17.5	32.13 x 17.5	978	45.1	60
10	TSC120A3*0A0000	10.4/10.3③	117,000	47 x 53 x 89	33 x 17.5	32.13 x 17.5	1052	52.6	60
TSC – 460/3/60 – Three Phase – No Heat									
3	TSC036A4*0A0000	10.7	37,400	32 x 43 x 69	18 x 15.5	24 x 14	501	9.2	15
4	TSC048A4*0A0000	10.0	49,200	32 x 43 x 69	18 x 15.5	24 x 14	526	12.8	20
5	TSC060A4*0A0000	10.2	63,100	36 x 43 x 69	18 x 15.5	24 x 14	543	16.0	25
3	TSC036E4*0A0000	13.0	38,000	36 x 43 x 69	18 x 15.5	24 x 14	555	10.1	15
4	TSC048E4*0A0000	13.0	49,000	36 x 43 x 69	18 x 15.5	24 x 14	586	12.5	15
5	TSC060E4*0A0000	13.0	60,000	36 x 43 x 69	18 x 15.5	24 x 14	636	15.5	25
6	TSC072E4*0A0000	11.2	71,200	42 x 53 x 88	33 x 17.5	32.13 x 17.5	898	18.2	25
7½	TSC092E4*0A0000	11.2	89,300	46 x 53 x 88	33 x 17.5	32.13 x 17.5	1009	21.5	25
8½	TSC102E4*0A0000	11.2	96,600	46 x 53 x 88	33 x 17.5	32.13 x 17.5	1048	21.9	25
10	TSC120E4*0A0000	10.6	110,300	46 x 53 x 88	33 x 17.5	32.13 x 17.5	1139	26.5	35
6	TSC072A4*0A0000	10.3	72,000	41 x 53 x 89	33 x 17.5	32.13 x 17.5	824	17.6	25
7½	TSC090A4*0A0000	10.3	90,000	41 x 53 x 89	33 x 17.5	32.13 x 17.5	897	22.6	35
7½	TSC092A4*0A0000	10.3	90,000	41 x 53 x 89	33 x 17.5	32.13 x 17.5	899	20.5	25
8½	TSC102A4*0A0000	10.5	105,000	47 x 53 x 89	33 x 17.5	32.13 x 17.5	978	24.0	30
10	TSC120A4*0A0000	10.4/10.3③	117,000	47 x 53 x 89	33 x 17.5	32.13 x 17.5	1052	26.9	35
TSC – 575/3/60 – Three Phase – No Heat									
3	TSC036AW*0A0000	10.7	37,400	36 x 43 x 69	18 x 15.5	24 x 14	501	7.7	15
4	TSC048AW*0A0000	10.0	49,200	36 x 43 x 69	18 x 15.5	24 x 14	526	9.8	15
5	TSC060AW*0A0000	10.2	63,100	36 x 43 x 69	18 x 15.5	24 x 14	543	12.2	15
3	TSC036EW*0A0000	13.0	37,400	36 x 43 x 69	18 x 15.5	24 x 14	555	8.0	15
4	TSC048EW*0A0000	13.0	49,200	36 x 43 x 69	18 x 15.5	24 x 14	586	9.0	15
5	TSC060EW*0A0000	13.0	63,100	36 x 43 x 69	18 x 15.5	24 x 14	636	10.1	15
6	TSC072EW*0A0000	11.2	71,200	42 x 53 x 88	33 x 17.5	32.13 x 17.5	898	12.7	20
7½	TSC092EW*0A0000	11.2	89,300	46 x 53 x 88	33 x 17.5	32.13 x 17.5	1009	15.9	20
8½	TSC102EW*0A0000	11.2	96,600	46 x 53 x 88	33 x 17.5	32.13 x 17.5	1048	17.5	20
10	TSC120EW*0A0000	10.6	110,300	46 x 53 x 88	33 x 17.5	32.13 x 17.5	1139	21.2	25
6	TSC072AW*0A0000	10.3	72,000	41 x 53 x 89	33 x 17.5	32.13 x 17.5	824	12.8	20
7½	TSC090AW*0A0000	10.3	90,000	41 x 53 x 89	33 x 17.5	32.13 x 17.5	897	17.6	25
7½	TSC092AW*0A0000	10.3	90,000	41 x 53 x 89	33 x 17.5	32.13 x 17.5	899	15.5	20
8½	TSC102AW*0A0000	10.5	105,000	47 x 53 x 89	33 x 17.5	32.13 x 17.5	978	19.5	25
10	TSC120AW*0A0000	10.4/10.3③	117,000	47 x 53 x 89	33 x 17.5	32.13 x 17.5	1052	21.8	25

① Upflow/Horizontal.

② HACR breaker per NEC.

③ SEER applies, 3-5 tons; EER applies 6-10 tons.

④ Digit 7-A=R-22 or E=410A.

* Digit 9-E=Electromechanical or R=ReliaTel™.

** Information subject to change. Please confirm with current Product Data/Service Facts for current factory production.

Packaged Cooling Convertible 6-10 Tons, High Efficiency

Table PC-12-A — Base Unit — High Efficiency — Electromechanical or ReliaTel™

Tons	Unit Ordering No.	Performance ^③ EER	Cooling Capacity (Btuh)	Cabinet Dimensions (in.) H x W x L	Downflow Supply	Downflow Return	Shipping Weight (lbs.)	MCA**	Max ^① Fuse**
THC – 208-230/3/60 – Three Phase – No Heat									
6	THC072A3*0A0000	11.5/11.3 ^②	73,000	41 x 53 x 89	33 x 17.5	32.13 x 17.5	861	34.8	50
7½	THC092A3*0A0000	11.5/11.3 ^②	94,000	47 x 53 x 89	33 x 17.5	32.13 x 17.5	899	38.1	50
8½	THC102A3*0A0000	11.5/11.3 ^②	103,000	47 x 53 x 89	33 x 17.5	32.13 x 17.5	1036	42.3	50
10	THC120A3*0A0000	11.2/10.7 ^②	117,000	47 x 53 x 89	33 x 17.5	32.13 x 17.5	1125	48.6	60
THC – 460/3/60 – Three Phase – No Heat									
6	THC072A4*0A0000	11.5/11.3 ^②	73,000	41 x 53 x 89	33 x 17.5	32.13 x 17.5	861	17.5	25
7½	THC092A4*0A0000	11.5/11.3 ^②	94,000	47 x 53 x 89	33 x 17.5	32.13 x 17.5	899	19.4	25
8½	THC102A4*0A0000	11.5/11.3 ^②	103,000	47 x 53 x 89	33 x 17.5	32.13 x 17.5	1036	21.4	25
10	THC120A4*0A0000	11.2/10.7 ^②	117,000	47 x 53 x 89	33 x 17.5	32.13 x 17.5	1125	25.3	30
THC – 575/3/60 – Three Phase – No Heat									
6	THC072AW*0A0000	11.5/11.3 ^②	73,000	41 x 53 x 89	33 x 17.5	32.13 x 17.5	861	13.5	20
7½	THC092AW*0A0000	11.5/11.3 ^②	94,000	47 x 53 x 89	33 x 17.5	32.13 x 17.5	899	14.8	15
8½	THC102AW*0A0000	11.5/11.3 ^②	103,000	47 x 53 x 89	33 x 17.5	32.13 x 17.5	1036	16.6	20
10	THC120AW*0A0000	11.2/10.7 ^②	117,000	47 x 53 x 89	33 x 17.5	32.13 x 17.5	1125	19.9	25

① HACR breaker per NEC.

② Downflow Airflow/Horizontal Airflow.

③ SEER applies, 3-5 tons; EER applies 6-10 tons.

* Digit 9=E=Electromechanical or R=ReliaTel™.

** Information subject to change. Please confirm with current Product Data/Service Facts for current factory production.

Packaged Cooling Convertible 3-10 Tons (Model Digit Numbers)

Digit	Description	Order Number	Digit	Description	Order Number
1-8	Main Assembly (see previous page)		19	Disconnect/Circuit Breaker/Phase Monitor (3 phase only)	
9	Unit Controls			No Disconnect/ Circuit Breaker/No Phase Monitor	0
	Electro-Mechanical	E		Unit Mounted Non-Fused Disconnect	1
	ReliaTel™ Micro-processor	R		Unit Mounted Circuit Breaker	2
10	(See Heater Table below)			Phase Monitor	3
11	Minor Design Sequence			Phase Monitor & Non-Fused Disconnect Switch	4
	First Sequence	A		Phase Monitor & Circuit Breaker	5
12-13	Service Sequence		20	Convenience Outlet	
	First Sequence (Factory Supplied)	* *		No Convenience Outlet	0
14	Fresh Air Selection			Unpowered Convenience Outlet	A
	No Fresh Air	0		Powered Convenience Outlet (3 phase only)	B
	0-50% Manual Outside Air Damper	A	21	Communications Options	
	0-50% Motorized Outside Air Damper	B		No Communications Interface	0
	0-100% Economizer, Dry Bulb without Barometric Relief	C		Comm 3/4 Communications Interface	1
	0-100% Economizer, Dry Bulb with Barometric Relief	D		Novar 2024 Controls	3
	0-100% Economizer, Reference Enthalpy without Barometric Relief	E		Novar 3051 Controls	4
	0-100% Economizer, Reference Enthalpy with Barometric Relief	F	22	Refrigeration System Option	
	0-100% Economizer, Comparative Enthalpy without Barometric Relief	G		Standard Refrigeration System	0
	0-100% Economizer, Comparative Enthalpy with Barometric Relief	H		Thermal Expansion Valve (TXV)	A
15	Supply Fan/Drive Type/Motor			Dehumidification (Hot Gas Reheat Coil)	B
	Standard Drive	0	23	Refrigeration Controls	
	Oversized Motor	1		No Refrigeration Control	0
	Optional Belt Drive Motor (3 phase only)	2		Frostat	2
16	Hinged Service Access & Filters			Crankcase Heater	3
	Standard Panels & Filters	0		Frostat and Crankcase Heater	6
	Hinged Access Panels & Standard Filters	A	24	Smoke Detector	
	Standard Panels & 2" Pleated Filters	B		No Smoke Detector	0
	Hinged Access Panels & 2" Pleated Filters	C		Return Air Smoke Detector	A
17	Condenser Coil Protection			Supply Air Smoke Detector	B
	Standard Coil	0		Supply and Return Air Smoke Detectors	C
	Standard Coil with Hail Guard	1	25	Monitoring Controls	
	Black Epoxy Pre-Coated Condenser Coil	2		No Monitoring Control	0
	Black Epoxy Pre-Coated Condenser Coil with Hail Guard	3		Clogged Filter Switch	1
	Complete Coat™ Condenser Coil			Fan Failure Switch	2
	Complete Coat™ Condenser Coil with Hail Guard			Discharge Air Sensing Tube	3
18	Through the Base Provisions			Clogged Filter Switch and Fan Fail Switch	4
	No Through the Base Provisions	0		Clogged Filter Switch and Discharge Air Sensing Tube	5
	Through the Base Electric	A		Fan Fail Switch and Discharge Air Sensing Tube	6
				Clogged Filter and Fan Fail Switches and Discharge Air Sensing Tube	7
				Novar Return Air Sensor	8

- ① Enthalpy control not available factory installed with electro-mechanical controls.
 ② Economizer with Barometric Relief is for downflow configured units only. Order Economizer without Barometric Relief for horizontal configuration. Barometric relief for horizontal configured units must be ordered as field installed accessory BAYBARM010A.
 ③ Requires use of Disconnect or Circuit Breaker.
 ④ Standard refrigeration metering device - short orifice.
 ⑤ Frostat cannot be field installed in electro-mechanical units.
 ⑥ High Pressure control is standard on 3 phase units with scroll compressors and in TSC036A.
 ⑦ Not available with BAYFRST001A High Temperature Stat accessory.
 ⑧ The return air smoke detector may not fit up or work properly on the Convertible units when used in conjunction with 3rd party accessories such as bolt on heat wheels, economizers and power exhaust. Do not order the return air smoke detectors when using this type of accessory.
 ⑨ Return Air Smoke Detector cannot be ordered with Novar Controls.
 ⑩ These options are standard when ordering Novar Controls.
 ⑪ This options for use when ordering Novar Control only.
 ⑫ The manual outside air damper will ship factory supplied within the unit, but must be field installed.
 ⑬ Requires Selection of 2" Pleated Filters (Option B or C) for Digit 16.
 ⑭ Through the base electric required when ordering disconnect/circuit breaker options.
 ⑮ Phase Monitor is standard on T/Y/WSC060A3,4,W models. All other models Phase Monitor will be an option.
 ⑯ Not available with electro-mechanical unit controls.

Heaters (Digit 10)

kW Rating	Digit	Nominal BTUH	No. Stages	Used With	kW Rating	Digit	Nominal BTUH	No. Stages	Used With
208/240/1/60					460/3/60				
3.7/5.0	(A)	12,800/17,100	1	T*C036-060A1, E1	6.0	(B)	20,500	1	T*C036-060A4, E4
7.5/10.0	(D)	25,600/34,100	2	T*C036-060A1, E1	12.0	(E)	41,000	2	T*C036-060A4, E4
10.3/13.8	(F)	35,300/47,100	2	T*C036-060A1, E1	17.6	(G)	59,400	2	T*C036-060A4, E4
13.2/17.6	(G)	45,100/60,100	2	T*C048-060A1, E1	23.0	(J)	78,500	2	T*C060A4, E4
208/240/3/60					575/3/60				
4.5/6.0	(B)	13,400/20,500	1	T*C036-060A3, E3	9.0	(C)	30,700	1	T*C072-102A4, E4
9.0/12.0	(E)	30,800/59,400	2	T*C036-060A3, E3	18.0	(G)	61,400	1	T*C072-120A4, E4
13.2/17.6	(G)	44,600/59,400	2	T*C036-060A3, E3	27.0	(K)	92,100	2	T*C072-120A4, E4
17.2/23.0	(J)	58,900/78,500	2	T*C060A3, E3	36.0	(N)	122,900	2	T*C072-120A4, E4
6.75/9.0	(C)	23,000/30,700	1	T*C072-102A3, E3	54.0	(P)	184,300	2	T*C120A4, E4
13.5/18.0	(G)	46,100/61,400	1	T*C072-120A3, E3					
20.3/27.0	(K)	69,000/92,100	2	T*C072-120A3, E3	6.0	(B)	20,500	1	T*C036-060AW, EW
27.0/36.0	(N)	92,200/122,900	2	T*C072-120A3, E3	12.0	(E)	41,000	2	T*C036-060AW, EW
40.5/54.0	(P)	138,200/184,300	2	T*C120A3, E3	17.6	(G)	59,400	2	T*C036-060AW, EW
					23.0	(J)	78,500	2	T*C060AW, EW
					9.0	(C)	30,700	1	T*C072-102AW, EW
					18.0	(G)	61,400	1	T*C072-120AW, EW
					27.0	(K)	92,100	2	T*C072-120AW, EW
					36.0	(N)	122,900	2	T*C072-120AW, EW
					54.0	(P)	184,300	2	T*C120AW, EW

Packaged Cooling Convertible 3-10 Tons, R-22

Table PC-14-A — Accessory Electric Heaters – Unit with heater is single circuit / single point power entry

Model Number	Power Supply	kW Rating	Nominal BTUH	No. Stages	Used With
BAYHTRR306A	208-230/3/60	4.5/6.0	13,400/20,500	1	T*C033-063A3
BAYHTRR312A	208-230/3/60	9.0/12.0	30,800/41,000	2	T*C033-063A3
BAYHTRR318A	208-230/3/60	13.1/17.4	44,600/59,400	2	T*C033-063A3
BAYHTRR323A	208-230/3/60	17.3/23.0	58,900/78,500	2	T*C060-063A3
BAYHTRS309A	208-230/3/60	6.75/9.0	23,000/30,700	1	T*C072A3,TSC090,092A3
BAYHTRS318A	208-230/3/60	13.5/18.0	46,100/61,400	1	T*C072A3,TSC090,092A3
BAYHTRS327A	208-230/3/60	20.3/27.0	69,000/92,100	2	T*C072A3,TSC090,092A3
BAYHTRS336A	208-230/3/60	27.0/36.0	92,200/122,900	2	T*C072A3,TSC090,092A3
BAYHTRT309A	208-230/3/60	6.75/9.0	23,000/30,700	1	THC092A3,T*C102A3
BAYHTRT318A	208-230/3/60	13.5/18.0	46,100/61,400	1	THC092A3,T*C102,120A3
BAYHTRT327A	208-230/3/60	20.3/27.0	69,000/92,100	2	T*C102,120A3,THC092A
BAYHTRT336A	208-230/3/60	27.0/36.0	92,200/122,900	2	THC092A3,T*C102,120A3
BAYHTRT354A	208-230/3/60	40.5/54.0	138,200/184,300	2	T*C120A3
<hr/>					
BAYHTRR406A	460/3/60	6.0	20,500	1	T*C033-063A4
BAYHTRR412A	460/3/60	12.0	41,000	2	T*C033-063A4
BAYHTRR418A	460/3/60	17.4	59,400	2	T*C033-063A4
BAYHTRR423A	460/3/60	23.0	78,500	2	T*C060-063A4
BAYHTRS409A	460/3/60	9.0	30,700	1	T*C072A4,TSC090,092A4
BAYHTRS418A	460/3/60	18.0	61,400	1	T*C072A4,TSC090,092A4
BAYHTRS427A	460/3/60	27.0	92,100	2	T*C072A4,TSC090,092A4
BAYHTRS436A	460/3/60	36.0	122,900	2	T*C072A4,TSC090,092A4
BAYHTRT409A	460/3/60	9.0	30,700	1	THC092A4,T*C102A4
BAYHTRT418A	460/3/60	18.0	61,400	1	THC092A4,T*C102,120A4
BAYHTRT427A	460/3/60	27.0	92,100	2	THC092A4,T*C102,120A4
BAYHTRT436A	460/3/60	36.0	122,900	2	THC092A4,T*C102-120A4
BAYHTRT454A	460/3/60	54.0	184,300	2	T*C120A4
<hr/>					
BAYHTRRW06A	575/3/60	6.0	20,500	1	T*C033-063AW
BAYHTRRW12A	575/3/60	12.0	41,000	2	T*C033-063AW
BAYHTRRW18A	575/3/60	17.4	59,400	2	T*C033-063AW
BAYHTRRW23A	575/3/60	23.0	78,500	2	T*C060-063AW
BAYHTRSW09A	575/3/60	9.0	30,700	1	T*C072AW,TSC090,092AW
BAYHTRSW18A	575/3/60	18.0	61,400	1	T*C072AW,TSC090,092AW
BAYHTRSW27A	575/3/60	27.0	92,100	2	T*C072AW,TSC090,092AW
BAYHTRSW36A	575/3/60	36.0	122,900	2	T*C072AW,TSC090,092AW
BAYHTRTW18A	575/3/60	18.0	61,400	1	THC092AW,T*C102,120AW
BAYHTRTW27A	575/3/60	27.0	92,100	2	THC092AW,T*C102,120AW
BAYHTRTW36A	575/3/60	36.0	122,900	2	THC092AW,T*C102,120AW
BAYHTRTW54A	575/3/60	54.0	184,300	2	T*C120AW

Packaged Cooling Convertible 3-10 Tons, R-410A

Table PC-15-A — Accessory Electric Heaters – Unit with heater is single circuit / single point power entry

Model Number	Power Supply	kW Rating	Nominal BTUH	No. Stages	Used With
BAYHTRE105A	208-230/1/60	3.8/5.0	12,900/13,400	1	T*C036-060E1
BAYHTRE110A	208-230/1/60	7.5/10.0	25,600/34,000	2	T*C036-060E1
BAYHTRE114A	208-230/1/60	10.4/13.8	35,000/47,100	2	T*C036-060E1
BAYHTRE118A	208-230/1/60	13.2/17.6	45,100/60,100	2	T*C048-060E1
BAYHTRE306A	208-230/3/60	4.5/6.0	13,400/20,500	1	T*C036-120E3
BAYHTRE312A	208-230/3/60	9.0/12.0	30,800/41,000	2	T*C036-120E3
BAYHTRE318A	208-230/3/60	13.1/17.4	44,600/59,400	2	T*C036-120E3
BAYHTRE323A	208-230/3/60	17.3/23.0	58,900/78,500	2	T*C060E3
BAYHTRE406A	460/3/60	6.0	20,500	1	T*C036-120E4
BAYHTRE412A	460/3/60	12.0	41,000	2	T*C036-120E4
BAYHTRE418A	460/3/60	17.4	59,400	2	T*C036-120E4
BAYHTRE423A	460/3/60	23.0	78,500	2	T*C060E4
BAYHTREW06A	575/3/60	6.0	20,500	1	TSC036-120EW
BAYHTREW12A	575/3/60	12.0	41,000	2	TSC036-120EW
BAYHTREW18A	575/3/60	17.4	59,400	2	TSC036-120EW
BAYHTREW23A	575/3/60	23.0	78,500	2	TSC060AW

Table PC-16-A — Accessories

Model Number	Description	Used With [Ⓣ]
BAYABRD001C	ReliaTel™ Options Module	See Note [Ⓢ]
BAYASCT001 [Ⓢ] *	Anti-Short-Cycle Timer	T*C033-063(A or E)_E
BAYBARM010A [Ⓢ]	Barometric Relief	T*C033-063(A or E)
BAYBARM011A [Ⓢ]	Barometric Relief	T*C072-120A, THC048E-060E
BAYCCHT010B	Crankcase Heater	THC072A3, TSC048-060(A or E)1,A3, T*C072-120A3
BAYCCHT011B	Crankcase Heater	THC072A4,AW, TSC048-060(A or E)4,AW,T*C072-120A4,AW
BAYCCHT012A	Crankcase Heater	T*C090A3
BAYCCHT013A	Crankcase Heater	T*C090A4
BAYCCHT014A	Crankcase Heater	T*C090AW
ASYSTAT712A [Ⓢ] Ⓢ	CO ² Sensor Kit, Wall Mounted	T*C033-063(A or E)_R, T*C072-120A_R w/Economizer
ASYSTAT714A [Ⓢ] Ⓢ	CO ² Sensor Kit, Duct Mounted	T*C033-063(A or E)_R, T*C072-120A_R w/Economizer
BAYCURB042A [Ⓢ]	Roof Curb	T*C033-063(A or E)
BAYCURB043A [Ⓢ]	Roof Curb	T*C072-120A, TCH048E-060E
BAYDFPS003B [Ⓢ] Ⓢ	Clogged Filter Switch	T*C033-063(A or E), T*C072-120A_R
BAYDFPS004A [Ⓢ] Ⓢ	Fan Failure Switch	T*C033-063(A or E), T*C072-120A_R
BAYDMPR051A [Ⓢ]	0-50% Motorized Outside Air Damper	T*C033-063(A or E)_R
BAYDMPR052A [Ⓢ]	0-50% Motorized Outside Air Damper	T*C033-063(A or E)_E
BAYDMPR053B [Ⓢ]	0-50% Manual Outside Air Damper	T*C033-063(A or E)
BAYDMPR054A [Ⓢ]	0-50% Motorized Outside Air Damper	T*C072-120A_R, THC048E-060E
BAYDMPR055A [Ⓢ]	0-50% Motorized Outside Air Damper	T*C072-120A_E, THC048E-060E
BAYDMPR056B [Ⓢ]	0-50% Manual Outside Air Damper	T*C072-120A, THC048E-060E
BAYECON085A [Ⓢ]	0-100% Dry Bulb Economizer without Barometric Relief	T*C033-063(A or E)_R
BAYECON086A [Ⓢ]	0-100% Dry Bulb Economizer without Barometric Relief	T*C033-063(A or E)_E
BAYECON087A [Ⓢ]	0-100% Dry Bulb Economizer without Barometric Relief	T*C072-120A_R, THC048E-060E
BAYECON088A [Ⓢ]	0-100% Dry Bulb Economizer without Barometric Relief	T*C072-120A_E, THC048E-060E
BAYENTH005A [Ⓢ] Ⓢ	Reference Enthalpy Kit	BAYECON085A, 087A
BAYENTH006B [Ⓢ] Ⓢ	Comparative Enthalpy Kit	BAYECON085A, 087A
BAYENTH001A	Enthalpy Control (Solid State)	BAYECON0086A, 088A
BAYFRST001A [Ⓢ] Ⓢ	High Temperature Stat	T*C033-063(A or E), T*C072-120A_R
BAYGARD036B	Condenser Coil Hail Guard	TSC033-063(A or E), THC036,048(A or E)
BAYGARD037B	Condenser Coil Hail Guard	THC060-063(A or E)
BAYGARD040B	Condenser Coil Hail Guard	THC072, 090, TSC072-090, THC048E-060E
BAYGARD041B	Condenser Coil Hail Guard	TSC102, 120A, THC092, 102, 120A
BAYHSDR012A	High Static Drive Kit	T*C072A, TSC090, 092A
BAYHSMT073A	.45 HP Oversized motor kit	T*C033-036A1, A3
BAYHSMT074A	.45 HP Oversized motor kit	T*C033-036A4
BAYHSMT075A	.45 HP Oversized motor kit	T*C033-036AW
BAYHSMT076A	.75 HP Oversized motor kit	T*C043-048A1, A3
BAYHSMT077A	.75 HP Oversized motor kit	T*C043-048A4
BAYHSMT078A	.75 HP Oversized motor kit	T*C043-048AW
BAYHSMT079A	1.2 HP Oversized motor kit	T*C060-063A1, A3
BAYHSMT080A	1.2 HP Oversized motor kit	T*C060-063A4
BAYHSMT081A	1.2 HP Oversized motor kit	T*C060-063AW
BAYHSMT082A	2 HP Oversized motor kit	T*C072A3, A4
BAYHSMT083A	2 HP Oversized motor kit	T*C072AW
BAYHSMT084B	3 HP Oversized motor kit	T*C090, 092A3, A4
BAYHSMT085B	3 HP Oversized motor kit	T*C090, 092AW
BAYHSMT086A	3 HP Oversized motor kit	T*C102A3, A4, THC092A3, A4
BAYHSMT087A	3 HP Oversized motor kit	T*C102AW, THC092AW
BAYHSMT088A	5 HP Oversized motor kit	T*C120A3, A4
BAYHSMT089A	5 HP Oversized motor kit	T*C120AW
BAYICSI003A [Ⓢ] Ⓢ	Comm 3/4 Communications Interface (TCI)	T*C033-063(A or E), T*C072-120A_R
BAYKSKT255A	Quick Start Kit	THC060A1, TSC048-060A1
BAYKSKT256A	Quick Start Kit	TSC036(A or E)1
BAYLOAM020B [Ⓢ] Ⓢ	Evaporator Defrost Control (Frostat)	T*C033-063(A or E), T*C072-120A_R
BAYPWRX026A [Ⓢ]	Power Exhaust	T*072-120A3
BAYPWRX027A [Ⓢ]	Power Exhaust	T*072-120A4
BAYPWRX028A [Ⓢ]	Power Exhaust	T*072-120AW
BAYQACB009A [Ⓢ] Ⓢ	Quick Adapt Roof Curb	T*C033-063(A or E)
BAYQACB010A [Ⓢ] Ⓢ	Quick Adapt Roof Curb	T*C033-063(A or E)
BAYQACB011A [Ⓢ] Ⓢ	Quick Adapt Roof Curb	T*C072-120A
BAYQACB012A [Ⓢ] Ⓢ	Quick Adapt Roof Curb	T*C072-120A
BAYQACB013A [Ⓢ] Ⓢ	Quick Adapt Roof Curb	T*C072-120A
BAYSTAT023 [Ⓢ]	Remote Potentiometer	BAYECON085A, 087A
BAYSERV001A [Ⓢ]	Selective Resistance Service Tester	T*C033-063(A or E), T*C072-120A_R
BAYSENS016A [Ⓢ]	Temperature Sensor	T*C033-063(A or E)_R
BAYTUBE005A [Ⓢ] Ⓢ	Discharge Air Sensing Kit	T*C033-063(A or E)_R
BAYTUBE007A [Ⓢ] Ⓢ	Discharge Air Sensing Kit	T*C072-120_R
BAYVNOR001B [Ⓢ] Ⓢ	Ventilation Override Kit w/ReliaTel™ options module	T*C033-063(A or E), T*C072-120A_R

- ① Kits contain all necessary parts to achieve desired level of enthalpy control.
- ② For ReliaTel™ microprocessor controlled units only. Must be factory installed for electromechanical controlled units.
- ③ Used for true discharge air sensing in both heating and cooling. Required for supply air tempering.
- ④ Lynn Haven Manufacturing has a No-Return policy for this roof curb.
- ⑤ For use with ReliaTel™ controlled units only.
- ⑥ Barometric Relief accessory installs in ductwork for horizontal configuration. For downflow configuration, installs in the unit's horizontal return duct. See Installer's Guide for complete instructions.
- ⑦ Cannot be used in conjunction with factory installed smoke detector.

- ⑧ BAYABRD001C is required when ordering field installed accessories Clogged Filter Switch (BAYDFPS003A), Fan Fail Switch (BAYDFPS004A), Discharge Air Sensing Kit (BAYTUBE004A) or Evaporator Defrost Control (Frostat) (BAYLOAM020B) Ventilation Override Kit (BAYVNOR001B) unless the following options are factory installed: Frostat, Smoke Detector, Clogged Filter Switch, Fan Failure Switch, Discharge Air Sensing Kit. These factory installed options include the ReliaTel™ Options Module.
- ⑨ BAYQACB009A adapts BAYCURB021B to accept Convertible 3-5 ton unit. BAYQACB010A adapts BAYCURB022B to accept Convertible unit.
- ⑩ For use with electromechanical controlled units only.

- ⑪ Cannot be used in conjunction with Barometric Relief. Order Economizer without Barometric Relief.
 - ⑫ BAYQACB012A adapts BAYCURB025A to accept Convertible 6-10 ton unit. BAYQACB013A adapts BAYCURB026A to accept Convertible 6-10 ton unit. BAYQACB011A adapts BAYCURB022 to accept Convertible 6-10 ton unit.
 - ⑬ Interface allows a unit with ReliaTel™ Controls to communicate with Tracer 100, Tracker, VariTrac II, and is the preferred method of communication to Tracer Summit.
 - ⑭ Activated on Power On.
 - ⑮ Field installed accessory requires economizer.
 - ⑯ The manual outside air damper will ship factory supplied within the unit, but must be field installed.
 - ⑰ A=R-22, E=410A.
- * Either Standard or High Efficiency.

For complete equipment / combination selections and installation instructions, please refer to Product Data and/or Installers Guides.

Packaged Cooling Convertible 3-10 Tons, R-22

Table PC-17-A — Zone Sensors for ReliaTel™ Controlled Units

Model Number	Description	Used with
ASYSTAT106A	Single Setpoint Manual Changeover	T*C036-120A_R
ASYSTAT108A	Dual Setpoint Manual or Auto Changeover	T*C036-120A_R
ASYSTAT666C	Programmable Night Setback w/System Function Lights	T*C036-120A_R
ASYSTAT111A	Remote Room Sensor	ASYSTAT661B,663B, ASYSTAT669A
ASYSTAT708A	Dual Thermistor Remote Zone Sensor	T*C036-120A_R
ASYSTAT709A	Digital Display Zone Sensor	T*C036-120A_R
ASYSTAT710A	Wall Mounted Humidity Sensor	T*C036, 120A, 3, 4, W-R
ASYSTAT711A	Duct Mounted Humidity Sensor	T*C036-120A-B
BAYSENS036A	Wall-Mounted Humidity Zone Sensor	THC060&120A,3,4,WR CK/001 1
BAYSENS037A	Duct-Mounted Humidity Zone Sensor	THC060&120A,3,4,WR CK/001 1
BAYMTPL003B	Retrofit Wall Cover Plate Kit 7.25" x 6.0"	ASYSTAT111A
BAYMTPL004A	Retrofit Wall Cover Plate Kit 4.75" x 4.75"	ASYSTAT106A,108A,111A

Table PC-17-B — Thermostats — Electromechanical

Model Number	Description	Used With
ASYSTAT706A	Remote Wall Sensor	ASYSTAT705B
BAYSENS034A	Remote Duct Sensor	ASYSTAT705B
ASYSTAT620 ^①	Prog Electronic Setback 3Htg/2Clg	T*C036-120A_E
ASYSTAT621 ^②	Prog Electronic Setback 1Htg/1 Clg	T*C036-120A_E
BAY24X042	DPDT Fan and Electric Heat Relay	ASYSTAT092A
BAY28X190 ^①	Locking Thermostat Cover for up to 4 units	Room Thermostats
ASYSTAT090A	2Htg/2Clg Digital Display Programmable Thermostat	T*C033-120A
ASYSTAT092A	1Htg/1Clg w/Digital "TOUCHSCREEN"	T*C033-120A
ASYSTAT093A	3Htg/3Clg Digital Display Programmable Thermostat w/relative Humidity Sensing Built-In (w/Dehumidification Option)	T*C033-120A
ASYSTAT095A	3Htg/2Clg Digital Display Thermostat	T*C033-120A
ASYSTAT800A	Wall Mounted Remote Sensor	ASYSTAT090A,092A,093A
ACONT200AN11AA	Electronic 1 Htg/1 Clg (Non Prog)	T*C033-090A

^① Do not use with programmable thermostats.

^② Do not use with ReliaTel™ controlled units.

Packaged Cooling Convertible 3-10 Tons, R-410A

Table PC-18-A — Zone Sensors for ReliaTel™ Controlled Units

Model Number	Description	Used with
ASYSTAT106A	Single Setpoint Manual Changeover	T*C036-120E_R
ASYSTAT108A	Dual Setpoint Manual or Auto Changeover	T*C036-120E_R
BAYSENS110A	Dual Setpoint Man. or Auto Change-over with System Function Lights	T*C036-120E_R
ASYSTAT666C	Programmable Night Setback w/System Function Lights	T*C036-120E_R
BAYSENS073A ^①	Room Sensor w/ Override and Cancel Buttons	T*C036-120E_R
BAYSENS074A ^①	Room Sensor w/ Temp. Adjustment with Override and Cancel Buttons	T*C036-120E_R
BAYSENS077A	Remote Room Sensor	ASYSTAT106,107,111,666
ASYSTAT708A	Programmable Night Setback w/System Function Lights	T*C036-120E_R
BAYSENS032A ^③	Dual Thermistor Remote Zone Sensor	T*C036-120E_R
ASYSTAT709A ^③	Digital Display Zone Sensor	T*C036-120E_R
ASYSTAT710A	Wall Mounted Humidity Sensor	T*C036-120E_R
ASYSTAT711A	Duct Mounted Humidity Sensor	T*C036-120E_R
BAYSENS073C	Room Sensor w/ Override and Cancel Buttons	T*C036-120E_R
BAYSENS074A	Room Sensor w/ Temp. Adjustment with Override and Cancel Buttons	T*C036-120E_R
BAYSENS077A	Remote Room Sensor	BAYSENS006B, CK/002 1,008B, 010B,019C
BAYMTPL003B	Retrofit Wall Cover Plate Kit 7.25" x 6.0"	BAYSENS019C
BAYMTPL004A	Retrofit Wall Cover Plate Kit 4.75" x 4.75"	BAYSENS006,008,010B,013,014C,017B

① Used with Integrated Comfort™ Systems, any unit type. These sensors do not work with TCM. Consult BASD Marketing for them.

② See Accessory IOM for operational characteristics.

③ Functional only with ReliaTel™ controls.

Table PC-18-B — Thermostats — Electromechanical

Model Number	Description	Used With
ACONT200AN11AA	Electronic, 1Htg/1Clg (Non Prog.)	All Cooling/(Gas or Elec)
BAY28X190 ^①	Locking Thermostat Cover for up to 4 units	Room Thermostats
BAY24X042	DPDT Fan and Electric Heat Relay	BAYSTAT051,052
ASYSTAT090A	2Htg/2Clg Digital Display Programmable Thermostat	T*C036-120E_R
ASYSTAT091A	1Htg/1Clg Digital Display Thermostat	T*C036-060E_R
ASYSTAT092A	2Htg/2Clg Digital Display Programmable "TouchScreen" Thermostat	T*C036-120E_R
ASYSTAT093A	3Htg/2Clg Digital Display Programmable Thermostat with Relative Humidity (with Dehumidification Option) Sensing Built-In	TSC036-060E_R
ASYSTAT095A	3Htg/2Clg Digital Display Thermostat	T*C036-120E_R
ASYSTAT800A	Wall Mounted Remote Sensor	ASYSTAT090A,091A,092A,093A,095A

① Do not use with programmable thermostats.

Alternating Lead/Lag – Dual Compressor Models Only —

During periods of part load operation, each compressor cycles alternately as circuit number one, equalizing compressor wear and run time. Enabled by cutting the wire (BLUE) at (RTRM) junction number J3-8. **Standard**

Anti Short Cycle Timer (ASCT) Function — Provides a three (3) minute minimum “ON” time and a three (3) minute minimum “OFF” time for compressors, enhances compressor reliability by ensuring proper oil return. **Standard**

Built In Evaporator Defrost Control (EDC) Function — Provides low ambient cooling down to 0°F. **Standard**

Built In Fan Delay Relay (FDR) Function — Provides custom indoor fan timing sequences for the different types of equipment, enhancing efficiency and reliability. **Standard**

Built In Night Set Back and Unoccupied Functions^① — When using a standard dual setpoint/auto change over Zone Sensor Module (ZSM), this function is enabled by applying a short across terminal J6-11 and J6-12. Sets cooling setpoint up a minimum of 7°F, sets heating setpoint back a minimum of 7°F, forces outside air damper (if present) minimum position to zero, and forces fan operation to automatic. **Accessory (requires time clock accessory or field supplied/installed switch or contacts).**

Built In “TEST” Mode — Aids in quick verification of system and control operation, exercises both hardware and software (no special tools required). **Standard**

Built In Unoccupied Mode^① — When using a standard single setpoint/manual change over Zone Sensor Module (ZSM), this function is enabled by applying a short across terminal J6-11 and J6-12. Forces outside air damper (if present) minimum position to zero, forces fan operation to automatic. **Accessory (requires time clock accessory or field supplied/installed switch or contacts).**

Direct Digital Control (DDC)^① — Proportional Integral (PI) control. Proportional – sets corrective action proportional to deviation from setpoint. Integral – fine tunes the rate of corrective action proportional to the error (results in superior space temperature control). **Standard**

Economizer Preferred Cooling^① — Provides fully integrated operation if required. Will not turn on a compressor with the economizer, if the space is recovering adequately with the economizer alone (0.2°F/minute). Allows the equipment to be utilized in more varied applications. **Standard with economizer accessory.**

Emergency Stop Terminals On Low Voltage Terminal Board (LTB-5 and LTB-6) — Provides a convenient point to disable the equipment completely, and immediately. Still provides communication to BAS. **Standard**

Heat Pump Smart Recovery and Smart Staging^① — Inhibits auxiliary heat operation if the space is recovering adequately (0.1°F/minute) with the heat pump alone, providing considerable savings in operating costs. **Standard**

Heat Pump Soft Start — Provides a smooth transition into heating after defrost, minimizing noise and compressor stress associated with switch over. **Standard**

Increased Reliability — Fewer components (moving electro-mechanical parts), less likelihood of equipment down time or failure. **Standard**

Integral Electric Heat Staging^① — Stages electric heaters “OFF” and “ON”, eliminating the use of outdated sequencers. **Standard**

Intelligent Fallback^① — A built in Default Control provides adaptive operation, which allows the equipment to continue to operate, providing comfort in the event of certain component failures. Also, allows emergency operation without a Zone Sensor Module (ZSM). **Standard**

Low Ambient Start Timer (LAST) Function — Bypasses low pressure control when a compressor starts, eliminating nuisance compressor lock outs. **Standard**

Lower Installation Cost — Using a standard Zone Sensor Module (ZSM), control voltage wiring may be run up to five (5) times further than any electromechanical system, with no increase in wire gauge. Example: Electromechanical System – 30 feet maximum using 22 gauge wire. Micro Control System – 150 feet using 22 gauge wire. **Standard**

On Board Diagnostics^① — Assist with equipment troubleshooting, if a problem occurrence should take place. **Standard**

Remote Sensing^① — All standard Zone Sensor Modules (ZSMs) have remote sensing capabilities, typically achieved by using an expensive program-mable thermostat and remote sensor with electromechanical equipment. **Accessory (requires use of remote sensor).**

Selectable Economizer Dry Bulb Change Over — Allows the capability of selecting the following dry bulb change over points: 63, 67, 70 or 73°F. **Standard with economizer accessory.**

Space Temperature Averaging^① — All standard Zone Sensor Modules (ZSMs) have space temperature averaging capabilities, typically achieved by using an expensive programmable thermostat and minimum of four (4) remote sensors with electromechanical equipment. **Averaging with ReliaTel™ can be achieved with two (2) sensors.**

Supply Air Tempering^① — A built in feature, once enabled only through an ICS device, may also be enabled using a digital or programmable Zone Sensor Module. When in the HEAT mode (and not actively heating), if supply air temperature drops 10°F below the heating setpoint, heat is turned on until supply air temperature rises to a point 10°F above the heating setpoint. Provides temperate air during the “OFF” cycle, and eliminates cold air dumping from supply ducts. Extremely effective when introducing any quantity of fresh air. **Standard when using a RTOM, ICS device, digital, or programmable Zone Sensor Module.**

Time Delay Relay (TDR) Function — Provides an incremental staging delay between compressors, minimizes equipment current inrush and consumption by keeping compressors from starting simultaneously. **Standard**

Low Pressure and High Pressure Compressor Lockout — 3 trips will lockout control.

① Denotes features lost from utilizing standard conventional stat.

ReliaTel™ Controls

Operation With An Electromechanical Thermostat

When the ReliaTel™ RTRM Thermostat Interface is used, equipment operation differs significantly. The basic equipment protection features remain intact, and the following features and benefits are lost:

- Direct Digital Control (DDC) – Proportional Integral (PI) control is lost, equipment is controlled by a thermostat or generic building automation system device.
- Intelligent Fall back is lost, if a failure occurs in the device controlling the equipment, operation will cease.
- Installation is more costly, with the addition of a thermostat or generic control, the control wiring size must be increased.
- Heat Pump Smart Recovery and Smart Staging is lost, Heat Pump operation becomes more costly unless generic control being applied can accomplish this.
- Remote Sensing capabilities are lost, unless generic control being applied can accomplish this.
- Low ambient disabled economizer and second condensing fan cycling capability.
- Space Temperature Averaging capabilities are lost, unless generic control being applied can accomplish this.
- Supply Air Tempering feature is lost, discharge air temperature may be cold when not actively heating if outdoor air is being introduced through the equipment.
- Built In Night Set Back and Unoccupied functions are lost, unless generic control being applied can accomplish this.
- Built In Unoccupied Mode is lost, unless generic control being applied can accomplish this.
- Economizer Preferred Cooling Feature is lost, all compressor operation is locked out below 50°F.

Packaged Cooling with ReliaTel™ Controls 12½-25 Tons, R-22

12½-25 Ton TCD — Downflow

12½-25 Ton TCH — Horizontal

- Meets ASHRAE 90.1-1999
- ReliaTel™ control features are listed on page PC-19
- Built-in anti-short cycle, time-delay relay and minimum on time controls
- 2" standard for 12½ – 25 ton units
- Liquid line drier

- Built-in fork lift holes
- Operating charge of R-22
- Quick-Access on 12½ – 25
- Scroll compressors on all units
- IAQ sloped condensate drain pans
- Dedicated horizontal and downflow units
- Single point power for electric heat
- Complete line of optional electric heaters
- Internally enhanced coil tubing

- Low ambient to 0°F standard
- Colored and numbered wiring
- Quick-adjust idler arm pulley. Adjust belt tension, change belts, adjust airflow quickly (12½ – 25 tons), downflow only
- **5-year limited compressor warranty (12½ – 17½ tons)**
- **1-year limited compressor warranty (20 and 25 tons)**
- **1-year limited parts warranty**

Table PC-21-A — TCD Downflow — TCH Horizontal — ReliaTel™ Control Unit

Tons	Unit Model No.	Power Supply Volts/Phase/Hz	Performance EER(30)	Cooling Capacity(Btuh)	Dimensions (in.) H x W x L	Shipping Weight(lbs.)	MCA**	Max Fuse Size or(5) MaxCircuitBreaker**	Downflow(6) Roofcurb
12½	TC*150D300B	208-230/3/60	9.8	150,000	50 x 72 x 108	1687	63	80	BAYCURB026B
12½	TC*151C300B	208-230/3/60	11.3	154,000	50½ x 71½ x 107½	1776	64	80	BAYCURB026B
15	TC*180B300H	208-230/3/60	9.9	182,000	50 x 72 x 108	1866	78	90	BAYCURB026B
15	TC*181C300C(4)	208-230/3/60	11.5	189,000	54 x 85½ x 122½	2297	74	90	BAYCURB027B
17½	TC*210C300E	208-230/3/60	9.8	210,000	50 x 72 x 108	2202	88	110	BAYCURB026B
17½	TC*211C300C	208-230/3/60	11.0	220,000	54 x 85½ x 122½	2372	91	110	BAYCURB027B
20	TC*240B300J	208-230/3/60	9.7	242,000	54 x 86 x 123	2772	100	125	BAYCURB027B
20	TC*241C300C	208-230/3/60	10.6	268,000	54 x 85½ x 122½	2470	99	125	BAYCURB027B
25	TC*300B300H	208-230/3/60	9.7	290,000	54 x 85½ x 122½	2365	118	150	BAYCURB027B
25	TC*301C300C	208-230/3/60	10.4	300,000	54 x 85½ x 122½	2475	120	150	BAYCURB027B
12½	TC*150D400B	460/3/60	9.8	150,000	50 x 72 x 108	1687	33	40	BAYCURB026B
12½	TC*151C400B	460/3/60	11.3	154,000	50½ x 71½ x 107½	1776	31	40	BAYCURB026B
15	TC*180B400H	460/3/60	9.9	182,000	50 x 72 x 108	1866	39	50	BAYCURB026B
15	TC*181C400C(4)	460/3/60	11.5	189,000	54 x 85½ x 122½	2292	36	50	BAYCURB027B
17½	TC*210C400E	460/3/60	9.8	210,000	50 x 72 x 108	2202	44	50	BAYCURB026B
17½	TC*211C400C	460/3/60	11.0	220,000	54 x 85½ x 122½	2380	44	60	BAYCURB027B
20	TC*240B400J	460/3/60	9.7	242,000	54 x 86 x 123	2372	50	60	BAYCURB027B
20	TC*241C400C	460/3/60	10.6	268,000	54 x 85½ x 122½	2470	50	60	BAYCURB027B
25	TC*300B400H	460/3/60	9.7	290,000	54 x 85½ x 122½	2365	58	70	BAYCURB027B
25	TC*301C400C	460/3/60	10.4	300,000	54 x 85½ x 122½	2475	58	70	BAYCURB027B
12½	TC*150DW00B	575/3/60	9.8	150,000	50 x 72 x 108	1687	26	30	BAYCURB026B
12½	TC*151CW00B	575/3/60	11.3	154,000	50½ x 71½ x 107½	1776	25	30	BAYCURB026B
15	TC*180BW00H	575/3/60	9.9	182,000	50 x 72 x 108	1866	31	40	BAYCURB026B
15	TC*181CW00C(4)	575/3/60	11.5	189,000	54 x 85½ x 122½	2297	29	40	BAYCURB027B
17½	TC*210CW00E	575/3/60	9.8	210,000	50 x 72 x 108	2702	35	45	BAYCURB026B
17½	TC*211CW00C	575/3/60	11.0	220,000	54 x 85½ x 122½	2380	35	45	BAYCURB027B
20	TC*240BW00J	575/3/60	9.7	242,000	54 x 86 x 123	2372	40	45	BAYCURB027B
20	TC*241CW00C	575/3/60	10.6	268,000	54 x 85½ x 122½	2470	40	50	BAYCURB027B
25	TC*300BW00H	575/3/60	9.7	290,000	54 x 85½ x 122½	2365	46	50	BAYCURB027B
25	TC*301CW00C	575/3/60	10.4	300,000	54 x 85½ x 122½	2475	47	60	BAYCURB027B
Model No.	Supply Downflow W x L(2)	Return Downflow W x L(2)	Supply Horizontal H x W(2)	Return Horizontal H x W(2)	Curb Size H x W x L(3)	Roof Opening W x L(2)			
TC*150, 151, 180, 210	28½ x 55½	20¾ x 63	42½ x 26½	42½ x 24½	14½ x 66½ x 102¼	62½ x 73½			
TC*181, 211-301	28½ x 69½	22¼ x 77	46½ x 26½	46½ x 27½	14½ x 80½ x 117½	76½ x 81			

MCA = Minimum Circuit Ampacity.

Maximum Fuse = Maximum Fuse Size or Maximum HACR Type Circuit Breaker Size.

(1) Dimensions are in inches. See Outline Dimensions.

(2) Interior Dimension.

(3) Measurement Includes Curb Flange.

(4) Uses 17½ – 25 ton dimensions.

(5) HACR type circuit breaker per NEC.

(6) Downflow only.

* Digit 3-H=Horizontal or D=Downflow.

** Information subject to change. Please confirm with current Product Data/Service Facts for current factory production.

Packaged Cooling with ReliaTel™ Controls 12½-25 Tons, R-410A

12½-25 Ton TCD-E – Downflow

12½-25 Ton TCH-E – Horizontal

- ReliaTel™ control features are listed on page PC-19
- Built-in anti-short cycle, time-delay relay and minimum on time controls
- 2" throwaway filters
- Liquid line drier
- Built-in fork lift holes

- Operating charge of R-410A
- Quick-Access on 12½ – 25
- Sloped sheet metal drain pan
- Dedicated horizontal and downflow units
- Single point power for electric heat
- Complete line of optional electric heaters
- Internally enhanced coil tubing
- Low ambient to 0°F standard
- Colored and numbered wiring

- Quick-adjust idler arm pulley. Adjust belt tension, change belts, adjust airflow quickly (12½ – 25 tons), downflow only
- UL listed and CSA certified
- **5-year limited compressor warranty (12½ – 17½ tons)**
- **1-year limited compressor warranty (20 and 25 tons)**

Table PC-22-A — TCD-E, TCH-E

Tons	Unit Model No.	Power Supply Volts/Phase/Hz	Performance EER (30)	Cooling Capacity (Btuh)	Dimensions (in.) H x W x L	Shipping Weight (lbs.)	MCA ^②	Max Fuse Size or ^① Max Circuit Breaker*
12½	TC*150E300A	208-230/3/60	11.0	158,000	50 x 72 x 108	1860	63	80
12½	TC*150E400A	460/3/60	11.0	158,000	50 x 72 x 108	1860	33	40
12½	TC*150EW00A	575/3/60	11.0	158,000	50 x 72 x 108	1860	26	30
15	TC*180E300A	208-230/3/60	11.0	189,000	54 x 86 x 123	2370	76	90
15	TC*180E400A	460/3/60	11.0	189,000	54 x 86 x 123	2370	39	50
15	TC*180EW00A	575/3/60	11.0	189,000	54 x 86 x 123	2370	30	40
17½	TC*210E300A	208-230/3/60	11.0	211,000	54 x 86 x 123	2375	88	110
17½	TC*210E400A	460/3/60	11.0	211,000	54 x 86 x 123	2375	45	60
17½	TC*210EW00A	575/3/60	11.0	211,000	54 x 86 x 123	2375	33	45
20	TC*240E300A	208-230/3/60	10.2	256,000	54 x 86 x 123	2450	113	150
20	TC*240E400A	460/3/60	10.2	256,000	54 x 86 x 123	2450	49	60
20	TC*240EW00A	575/3/60	10.2	256,000	54 x 86 x 123	2450	40	50
25	TC*300E300A	208-230/3/60	10.0	291,000	54 x 86 x 123	2640	115	125
25	TC*300E400A	460/3/60	10.0	291,000	54 x 86 x 123	2640	59	70
25	TC*300EW00A	575/3/60	10.0	291,000	54 x 86 x 123	2640	45	50

① HACR type circuit breaker per NEC.

② Information subject to change. Please confirm with current Product Data/Service Facts for current factory production.

* Digit 3 - H = Horizontal or D = Downflow.

Table PC-23-A — Factory Installed Accessories^{①②}

For Complete list of all Factory Installed Options, please refer to the FIOPS section of this book.

Digit	Description	Order Number	Used With
1-9	Main Assembly (see previous page)		
10	Factory Installed Options		
	No Options	0	TC*150-301
	Downflow Economizer ^③	A	TCD150-301
	Oversized Motor	B	TC*150-241
	Downflow Economizer and Oversized Motor ^③	C	TCD150-241
	Comm 3/4 Communications Interface (TCI) ^④	F	TC*150-301
	Downflow Economizer TCI ^{③④}	G	TCD150-301
	TXV/Face - Split Evaporator	H	TCD151, 181, 211, 241, 301
	Oversized Motor and TXV/Face -Split Evaporator	J	TCD151, 181, 211, 241
	Downflow Economizer, Oversized Motor and TXV/Face Split Evaporator ^{③④}	K	TCD151, 181, 211, 241
	Downflow Economizer with TXV/Face - Split Evaporator ^③	L	TCD151, 181, 211, 241, 301
	Reheat Coil ^⑤	M	TCD151, 181, 241
	Downflow Economizer with Reheat Coil ^{③⑤}	N	TCD151, 181, 241
	Oversized Motor and Reheat Coil ^⑤	P	TCD151, 181, 241
	Downflow Economizer, Oversized Motor and Reheat Coil ^{③⑤}	R	TCD151, 181, 241
11-12	Minor Design and Service Sequence	**	

① Price includes accessory and factory installation.

② Four (4) week shipping approximately.

③ Some field set up required.

④ TCI is for use with non-VariTrac systems and VariTrac systems.

⑤ All 10th digit model numbers including reheat coil (M,N,P,R) require additional factory installed options; ReliaTel™ Options Module (FIYABRD002B), Froststat (FIYLOAM023A), and 2" Pleated Filters (FIYPLTD001A, 002A, or 003A refer to FIOPS section for appropriate model number usage). For these or any Factory Installed Options not included in 10th digit model number, digits 1-3 must be TED.

Packaged Cooling with ReliaTel™ Controls 12½-25 Tons

Table PC-24-A — Zone Sensors

Model Number	Description	Used With
ASYSTAT106A	Single Setpoint Manual Changeover	TC*150-301
ASYSTAT108A	Dual Setpoint Manual or Automatic Changeover	TC*150-301
ASYSTAT666C	Programmable Night Setback	TC*150-301
ASYSTAT111A	Remote Room Sensor	ASYSTAT666C
ASYSTAT708A	Dual Thermistor Remote Zone Sensor	TC*150-301
ASYSTAT709A	Digital Display	TC*150-301
ASYSTAT710A	Wall Mounted Humidity Sensor	TFD151,181,241 (with Reheat)
ASYSTAT711A	Duct Mounted Humidity Sensor	TFD151,181,241 (with Reheat)
BAYMTPL003B	Retrofit Wall Cover Plate Kit (7¼" x 6")	ASYSTAT666C
BAYMTPL004A	Retrofit Wall Cover Plate Kit (4¾" x 4¾")	ASYSTAT661B, 663B, 669A
BAYSENS110A	Dual Setpoint Manual or Auto Change-over with System Function Lights	TC*150-301

For additional Controls Information:

See ReliaTel™ and Micro Control features on PC-19 and PC-20.

Table PC-24-B — Comfort Controls — Electromechanical

Model Number	Description	Used With
ASYSTAT090A	2Htg/2Clg Digital Display Programmable Thermostat	T*C150-301
ASYSTAT092A	1Htg/1Clg w/Digital "TOUCHSCREEN"	T*C150-301
ASYSTAT093A	3Htg/3Clg Digital Display Programmable Thermostat w/relative Humidity Sensing Built-In (w/Dehumidification Option)	T*C150-301
ASYSTAT095A	3Htg/2Clg Digital Display Thermostat	T*C150-301
ASYSTAT800A	Wall Mounted Remote Sensor	ASYSTAT090A,092A,093A
ASYSTAT713B	CO ₂ Sensor kit (Wall Mounted)	TC*151-301 w/Economizer
ASYSTAT715B	CO ₂ Sensor kit (Wall Mounted)	TC*151-301 w/Economizer

Table PC-25-A — Field Installed Accessories

For complete list of of All Factory Installed Options refer to FIOPS section of this book.

Model Number	Description	Used With
BAYABRD002B ⁽¹⁾	ReliaTel™ Options Module	TCD/TCH150-301,150-300E
ASYSTAT713A ⁽²⁾	CO ₂ Sensor Wall Mounted	TC*150-301 w/Economizer
ASYSTAT715A ⁽²⁾	CO ₂ Sensor Duct Mounted	TC*150-301 w/Economizer
BAYCURB026B ⁽⁶⁾	Downflow Roof Curb (Can not be adapted for horizontal use)	TCD150D,151C,180B,210C,150E
BAYCURB027B ⁽⁶⁾	Downflow Roof Curb (Can not be adapted for horizontal use)	TCD181C,211C,240B,241C,300B,301C, TC*180E,210E,240E,300E
BAYDFPS005A ⁽¹⁰⁾	Clogged Filter Switch	TCD/TCH (12½-25 Tons)
BAYDFPS006A ⁽¹⁰⁾	Fan Failure Switch	All Economizers and 0-50% Motorized Air Dampers
BAYDMPR029C	0-25% Manual Outside Air Damper	TCD/TCH (12½-25 Tons)
BAYDMPR057A	0-50% Motorized Outside Air Damper	TCD/TCH150D,151C,180B,210C,150E
BAYDMPR058A	0-50% Motorized Outside Air Damper	TCD/TCH181C,211C,240B,241C,300B,301C 180E,210E,240E,300E
BAYECON089A ⁽¹⁾	Downflow Economizer with Barometric Relief	TCD150D,151C,180B,210C,150E
BAYECON090A ⁽¹⁾	Downflow Economizer with Barometric Relief	TCD181C,211C,240B,241C,300B,301C TCD180E,210E,240E,300E
BAYECON091A	Horizontal Economizer	TCH151C,180B,210C,150E
BAYECON092A	Horizontal Economizer	TCH181C,211C,240B,241C,300B,301C TCH180E,210E,240E,300E
BAYENTH007A ⁽¹⁾⁽²⁾	Reference Enthalpy Kit	All BAYECON089-92A,TC*150-301
BAYENTH008A ⁽¹⁾⁽²⁾⁽³⁾	Comparative Enthalpy Kit	All BAYECON089-92A,TC*150-301
BAYFRST003A	High Temperature Stat	TCD/TCH150D
BAYGARD043B ⁽¹⁾	Tool-less Hail Guard	TC*150D
BAYGARD044B ⁽¹⁾	Tool-less Hail Guard	TC*151C-210C,150E
BAYGARD045A ⁽¹⁾	Tool-less Hail Guard	TC*181C-241C,TC*180E,210E,240E
BAYGARD047A ⁽¹⁾	Tool-less Hail Guard	TC*300B,E
BAYHSDR002B ⁽⁴⁾	High Static Drive	TCD/TCH151C
BAYHSDR005B ⁽⁴⁾	High Static Drive	TCD/TCH180B,E,211C,241C,TCD/TCH150D,E
BAYHSDR010A ⁽⁴⁾	High Static Drive	TCD/TCH300B,301C,300E
BAYHSDR011A ⁽⁴⁾	High Static Drive	TCD/TCH181C
BAYHSMT039B ⁽⁴⁾⁽¹¹⁾	5HP Oversized Motor Kit	TCD/TCH151C,180B,150D,150E,180E
BAYHSMT040B ⁽⁴⁾⁽¹¹⁾	5HP Oversized Motor Kit (575V)	T*151CW,180BW,TCD/TCH150EW,180EW
BAYHSMT042A ⁽⁴⁾⁽¹¹⁾	7-1/2HP Oversized Motor Kit (575V)	TC*211C,E,240B,E,241CW
BAYHSMT055B ⁽⁴⁾⁽¹¹⁾	5HP Oversized Motor Kit	TCD/TCH181C
BAYHSMT059A ⁽⁵⁾⁽¹¹⁾	7-1/2HP Oversized Motor Kit (230V)	TCD/TCH210C,210E
BAYHSMT060A ⁽⁵⁾⁽¹¹⁾	7-1/2HP Oversized Motor Kit (460V)	TCD/TCH210C,210E
BAYHSMT061A ⁽⁴⁾⁽¹¹⁾	7-1/2HP Oversized Motor Kit (575V)	TC*210CW,210EW
BAYHSMT072A ⁽⁴⁾⁽¹¹⁾	7-1/2HP Oversized Motor Kit (575V)	TC*181CW
BAYHSMT098A ⁽⁴⁾⁽¹¹⁾	7-1/2HP Oversized Motor Kit	TC*211,240,241C3
BAYHSMT099A ⁽⁴⁾⁽¹¹⁾	7-1/2HP Oversized Motor Kit	TC*211,240,241C4
BAYICSI004B ⁽³⁾⁽¹⁴⁾	Comm 3/4 Communications Interface (TCI)	TC*150-301,150-300E
BAYLOAM023A ⁽¹⁾	Evaporator Defrost Control Froststat	TC*150-301,150-300E
BAYLSDR004A ⁽⁵⁾	Low Static Drive	TCD/TCH210C,210E
BAYLSDR002A ⁽⁵⁾	Low Static Drive	TCD/TCH300B,301C
BAYPWRX029A	Power Exhaust for 230 volt units	BAYECON089-090A,TCD/TCH150-240
BAYPWRX030A	Power Exhaust for 460 volt units	BAYECON089-090A,TCD/TCH150-240
BAYPWRX031A	Power Exhaust for 575 volt units	BAYECON089-090A,TCD/TCH150-240
BAYSENS016A	Temperature Sensor	TCD/TCH (12½-25 Tons)
BAYSERV001A	Selective Resistance Service Tester	TCD/TCH (12½-25 Tons)
BAYSTAT023	Remote Potentiometer	All Economizers and 0-50% Motorized Air Dampers
BAYTUBE008A ⁽⁹⁾⁽¹⁰⁾⁽¹¹⁾	Discharge Air Sensing Kit	TCD150D-301,TC*150-300E
BAYTUBE009A ⁽⁹⁾⁽¹⁰⁾⁽¹¹⁾	Discharge Air Sensing Kit	TCH150D-301,TC*150-300E
BAYVNOR002B ⁽¹⁰⁾	Ventilation Override Kit	TC*150-301 w/ReliaTel™ Options Module,150-300E

- ① Kit contains all necessary parts to achieve desired level of Enthalpy Control.
- ② Reference Enthalpy senses outside temperature/humidity and inside supply air only.
- ③ Comparative Enthalpy senses outside temperature/humidity and inside supply and return air.
- ④ High static drive and oversized motors are mutually exclusive, Do Not Combine.
- ⑤ Low static drive and oversized motors are mutually exclusive, Do Not Combine.
- ⑥ Clarksville manufacturing has a no return policy for this roof curb.
- ⑦ For downflow use only. Can not be adapted for horizontal units.
- ⑧ Used for true discharge air sensing in both heating and cooling models.
- ⑨ Cannot be used with economizer and motorized outside air damper. For operational characteristics see Accessory IOM.
- ⑩ BAYABRD002B is required when ordering field installed BAYDFPS005A or 006A, BAYTUBE008A or 009A and BAYLOAM023A or BAYVNOR002B.
- ⑪ Field or factory installed option.
- ⑫ Field installed accessory. Requires an economizer.
- ⑬ Interface allows a unit with ReliaTel™ Controls to communicate with Tracer 100, Tracker, VariTrac II, and is the preferred method of communication to Tracer Summit.
- ⑭ With ReliaTel™ controlled units only.

Packaged Cooling with ReliaTel™ Controls 12½-25 Tons

Table PC-26-A — Downflow /Horizontal Supplementary Heaters:

Model Number	Power Supply	kW Rating	Nominal BTUH	No. Stages	Used With
AYDHTRK318A	208-230/3/60	13.5/18.0	46,100/61,400	1	TCD180B,181C,150D3,151C3,150E3,180E3
AYDHTRK336A	208-230/3/60	27.0/36.0	92,200/122,900	2	TCD180B,181C,150D3,151C3,150E3,180E3
AYDHTRK354A	208-230/3/60	40.5/54.0	138,200/184,300	2	TCD180B,181C,150D3,151C3,150E3,180E3
AYDHTRL418A	460/3/60	18.0	61,400	1	TCD150D, 180B4,181C4,151C4,150E4,180E4
AYDHTRK427A	460/3/60	27.0	92,150	2	TCD181C4
AYDHTRK436A	460/3/60	36.0	122,900	2	TCD150D, 180B4,181C4,151C4,150E4,180E4
AYDHTRK454A	460/3/60	54.0	184,300	2	TCD150D, 180B4,181C4,151C4,150E4,180E4
AYDHTRL336A	208-230/3/60	27.0/36.0	92,200/122,900	2	TCD210-301C3,B3,210E3
AYDHTRL354A	208-230/3/60	40.5/54.0	138,200/184,300	2	TCD210-301C3,B3,210E3
AYDHTRK372A	208-230/3/60	54.0/72.0	184,300/245,700	2	TCD211-301C3,B3
AYDHTRL427A	460/3/60	27.0	92,150	2	TCD211-301C4
AYDHTRL436A	460/3/60	36.0	122,900	2	TCD210-301C4,B4,210E4
AYDHTRL454A	460/3/60	54.0	184,300	2	TCD210-301C4,B4,210E4
AYDHTRK472A	460/3/60	72.0	245,700	2	TCD211-301C4,B4
AYHHTRK318A	208-230/3/60	13.5/18.0	46,100/61,400	1	TCH181C3
AYHHTRK336A	208-230/3/60	27.0/36.0	92,200/122,900	2	TCH181C3
AYHHTRK354A	208-230/3/60	40.5/54.0	138,200/184,300	2	TCH181C3
AYHHTRM418A	460/3/60	18.0	61,400	1	TCH181C4
AYHHTRK436A	460/3/60	36.0	122,900	2	TCH181C4
AYHHTRM454A	460/3/60	54.0	184,300	2	TCH181C4
AYHHTRN318A	208-230/3/60	13.5/18.0	46,000/61,400	1	TCH150D3,180B3,151C3,150E3,180E3
AYHHTRP336A	208-230/3/60	27.0/36.0	92,200/122,900	2	TCH150D3,180B3,151C3,150E3,180E3
AYHHTRP354A	208-230/3/60	40.5/54.0	138,200/184,300	2	TCH150D3,180B3,151C3,150E3,180E3
AYHHTRN418A	460/3/60	18.0	61,400	1	TCH150D, 180B4,151C4,150E4,180E4
AYHHTRP436A	460/3/60	36.0	122,900	2	TCH150D, 180B4,151C4,150E4,180E4
AYHHTRP454A	460/3/60	54.0	184,300	2	TCH150D, 180B4,151C4,150E4,180E4
AYHHTRQ336A	208-230/3/60	27.0/36.0	92,200/22,900	2	TCH210C3,210E3
AYHHTRQ354A	208-230/3/60	40.5/54.0	138,200/184,300	2	TCH210C3,210E3
AYHHTRQ436A	460/3/60	36.0	122,900	2	TCH210C4,210E4
AYHHTRQ454A	460/3/60	54.0	184,300	2	TCH210C4,210E4
AYHHTRN336A	208-230/3/60	27.0/36.0	92,200/122,900	2	TCH211-301C3,B3
AYHHTRN354A	208-230/3/60	40.5/54.0	138,200/184,300	2	TCH211-301C3,B3
AYHHTRN372A	208-230/3/60	54.0/72.0	184,300/245,700	2	TCH211-301C3,B3
AYHHTRN436A	460/3/60	36.0	122,900	2	TCH211-301C4,B4
AYHHTRN454A	460/3/60	54.0	184,300	2	TCH211-301C4,B4
AYHHTRN472A	460/3/60	72.0	245,700	2	TCH211-301C4,B4

Note: Unit with heater is single circuit/single point.

Packaged Cooling with ReliaTel™ Controls 12½-25 Tons

Table PC-27-A — Downflow /Horizontal Supplementary Heaters:

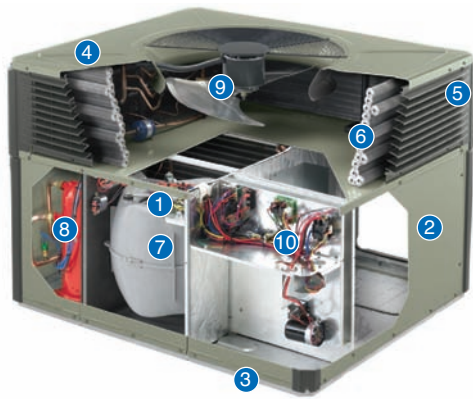
Model Number	Power Supply	kW Rating	Nominal BTUH	No. Stages	Used With
AYDHTRKW18A	575/3/60	18.0	61,400	1	TCD150DW,180BW,151CW,181C,150EW,180EW
AYDHTRKW36A	575/3/60	36.0	122,900	2	TCD150DW,180BW,210CW,181C 240-300BW,211-301CW,150-210EW
AYDHTRLW54A	575/3/60	54.0	184,300	2	TCD210CW,240-300B,211-301CW,210EW
AYDHTRKW72A	575/3/60	72.0	245,700	2	TCD211-301CW
AYDHTRMW36A	575/3/60	36.0	122,900	2	TCD150DW,180BW,210CW 181C,240-300BW,211-301CW,150-180EW
AYDHTRMW72A	575/3/60	72.0	245,700	2	TCD240-300BW
AYHHTRMW18A	575/3/60	18.0	61,400	1	TCD181C
AYHHTRMW36A	575/3/60	36.0	122,900	2	TCH181CW,211-301CW
AYHHTRMW54A	575/3/60	54.0	184,300	2	TCH240-300BW,181C
AYHHTRNW18A	575/3/60	18.0	61,400	1	TCH150DW,180BW,151C,181C,150EW,180EW
AYHHTRNW54A	575/3/60	54.0	184,300	2	TCH240-300BW,211-301CW
AYHHTRNW72A	575/3/60	72.0	245,700	2	TCH240-300BW,211-301CW
AYHHTRPW36A	575/3/60	36.0	122,900	2	TCH150DW,180BW,210CW,151C,150-210EW
AYHHTRPW54A	575/3/60	54.0	184,300	2	TCH150DW,180BW,151C,150EW,180EW
AYHHTRQW54A	575/3/60	54.0	184,300	2	TCH210CW,210EW
AYHHTRKW72A	575/3/60	72.0	245,700	2	TCH211-301CW

Note: Unit with heater is single circuit/single point.

See ReliaTel™ and Micro Control features on PC-19 and PC-20.

Industry-leading performance, quiet operation.

Your customers can enjoy comfort and peace of mind season after season with the Heritage 16 packaged heat pump. In addition to **industry-leading performance**, the Heritage 16 also features **quiet operation** and efficiency ratings **up to 16 SEER** — **one of the highest ratings in the industry**. And to keep energy costs at bay, the **two-stage compressor** provides reliable heating and cooling that runs at the lower stage most of the time, stepping up to the higher stage during more extreme temperatures. With the Heritage 16, you can provide the **perfect degree of comfort all year long**.



Comfort features you can take to the bank.

- 1 Variable-speed blower motor with Comfort-R™**
Varies air delivery based on cooling requirements, providing higher efficiency and quieter performance. The Comfort-R feature reduces temperature variances and increases dehumidification.
- 2 Appliance-grade finish**
Durable powder-paint finish resists rust and scratches, eliminates sharp edges and provides years of lasting protection.
- 3 Embossed service panels**
Clearly labeled panels allow easy access to the coil, compressor, blower motor and controls.
- 4 All-steel cabinet and weather-beater top**
Contoured, reinforced top that shrugs off the worst Mother Nature has to offer.
- 5 Architectural louvers and corner guards**
Enhance the system's overall appearance, creating a stylish accent for the home. Made from sturdy, UV-resistant, automotive-grade plastic.

Heritage® Packaged Heat Pump 4WCZ6

16

Ultimate



Up to
16.0
SEER

10-year limited warranty on
compressor and condenser

Up to
9.0
HSPF

5-year limited warranty on
all other parts

- 6 Exclusive Spine Fin™ coil**
An industry-leading technology constructed of thousands of tiny aluminum fins for a larger surface area, resulting in enhanced heat transfer. Less likely to corrode than aluminum/copper coils – even under the harshest conditions.
- 7 Vortica™ advanced airflow system**
A state-of-the-art system that quietly circulates more air while using less energy. Slides out for easy service.
- 8 Two-stage Duration™ compressor**
Provides two stages of heating and cooling for a higher level of efficiency than most single-compressor units, running at 70% capacity most of the time and stepping up to the second stage under extreme conditions.
- 9 Super-quiet high efficiency ducted fan**
Moves air with a sophisticated aerodynamic blade for the quietest performance on the market, with total sound levels as low as 70 dB.
- 10 Electronic demand defrost**
Eliminates unnecessary defrost cycles for energy savings and longer compressor life.

No-leak, rust-resistant drain pan

Corrosion-resistant and fully sloped to reduce standing water. (Not shown)

Optional electric heater kits

A full range of electric heaters available for all models. (Not shown)

Packaged Heat Pump 4WCZ6

Heritage®

16

American Standard
HEATING & AIR CONDITIONING

Heritage® Packaged Heat Pump 4WCZ6

Your Profit-ability with American Standard

Sell-ability

- Industry leader and brand reputation
- Quietest performance on the market
- Attractively designed with architectural louvers and corner guards
- Appliance-grade finish
- Great reliability and durability
- 10/5 year warranty

Install-ability

- Easily converted for horizontal or vertical applications
- Factory-built 12" and 18" duct covers for extra-clean horizontal installation
- Pan-head screws on the supply and return panels for flush-fit duct connections
- Convenient right-side electrical connections
- Easy-lift system makes hoisting quicker and safer

Service-ability

- Easy access to coil, compressor, blower and controls
- Clearly labeled access panels
- Liquid-line port in the compressor compartment

Performance-ability

- Variable-speed fan motor with Comfort-R™
- Exclusive Spine Fin™ coil
- Super-quiet high efficiency ducted fan
- Energy-saving, quiet Vortica™ advanced airflow system
- Electronic demand defrost
- Two-stage Duration™ compressor
- Up to 9.0 HSPF

Rely-ability

- SEET* tested to ensure unmatched durability
- Heavy-duty steel cabinet and weather-beater top that sheds water
- No-leak, rust-resistant drain pan
- Foil-faced, rigid insulation stays cleaner and lasts longer
- SermaGuard™ rust-resistant screws

*Seasonal Extreme Environmental Test

A warranty for you and your customers.

Not only does an American Standard extended warranty protect your customers, it allows you to maintain a relationship with them and generate future business. Extended warranties are also a great way to promote your reputation in the community and collect referrals, while ensuring customer satisfaction.

American Standard benefits for your customers

Reliable performance

Design innovations and rigorous SEET testing ensure that our name goes on only the most reliable products.

Durable construction

Materials for all components are torture-tested for consistent, reliable, long-lasting performance and durability.

Enhanced comfort

Add American Standard accessories such as Comfort Controls and Humidifiers to enhance overall performance and maximize comfort.

Cleaner air

Add an AccuExchange™ energy recovery ventilator (ERV) to reduce chemical vapors and household odors for a cleaner, more comfortable home.

Efficient operation

Increased efficiency may lower heating or cooling costs.

A reputation built on reliability and durability.

We salute independent American Standard dealers who work to improve the lives of their customers' families. Our promise to you is to continually dedicate ourselves to creating and manufacturing new and innovative products – products that make you and your customers a lot more comfortable.

American Standard
HEATING & AIR CONDITIONING
americanstandardair.com

Model Number	Actual SEER	HSPF	Sound Rating (dB)	Nominal Tonnage	Height (in.)	Width (in.)	Depth (in.)	208/230V 1Ø	208/230V 3Ø
Heritage Packaged Heat Pump 4WCZ6									
4WCZ6036	16.0	9.0	70	3.0	38	51	43	•	•
4WCZ6048	16.0	9.0	71	4.0	42	61	46	•	•
4WCZ6060	15.2	8.6	73	5.0	42	61	46	•	•

Comfort and efficiency under any condition.

As the first dual fuel unit in the industry with a **16 SEER** rating, the Heritage Hybrid comfort system is now the **most efficient on the market**. And with energy costs in mind, **American Standard lets your customers choose** the utility that fits their needs — a **two-stage electric heat pump** or the **two-stage gas furnace**. Designed with advanced features like a **variable-speed blower motor with Comfort-R™** for quieter performance and fewer temperature variances, the Heritage Hybrid comfort system is a smart choice for reliable comfort and long-term efficiency.



Comfort features you can take to the bank.

- 1 Four stages of heating***
Gives homeowners the ability to customize their comfort and control utility bills by using an American Standard Comfort Control. Allows them to choose the most economical point to switch from two-stage electric heat pump operation to two stage gas furnace operation.
- 2 Variable-speed blower motor with Comfort-R™**
Varies air delivery based on cooling requirements to provide higher efficiency and quieter performance, while the Comfort-R feature reduces temperature variances and increases dehumidification.
- 3 Appliance-grade finish**
Durable powder-paint finish resists rust and scratches, eliminates sharp edges and provides years of lasting protection.
- 4 Embossed service panels**
Clearly labeled panels allow easy access to the coil, compressor, blower motor and controls.
- 5 All-steel cabinet and weather-beater top**
Contoured, reinforced top that shrugs off the worst Mother Nature has to offer.

Heritage Hybrid™ Comfort System 4DCZ6

16

Ultimate



Up to
16.0
SEER

80%
AFUE

20-year, non-prorated, limited warranty on heat exchanger
10-year limited warranty on compressor and condenser
5-year limited warranty on all other parts

- 6 Architectural louvers and corner guards**
Enhance the system's overall appearance, creating a stylish accent for the home. Made from sturdy, UV-resistant, automotive-grade plastic.
- 7 Exclusive Spine Fin™ coil**
An industry-leading technology constructed of thousands of tiny aluminum fins for a larger surface area, resulting in enhanced heat transfer. Less likely to corrode than aluminum/copper coils – even under the harshest conditions.
- 8 Vortica™ advanced airflow system**
A state-of-the-art system that quietly circulates more air while using less energy. Slides out for easy service.
- 9 Two-stage Duration™ compressor**
Provides two stages of electric heating and cooling for a higher level of efficiency than most single-compressor units, running at 70% capacity most of the time and stepping up to the second stage under extreme conditions.
- 10 Stainless steel heat exchanger and burners**
New ultra-safe tubular design for reliable performance and peace of mind.
- 11 Super-quiet high efficiency ducted fan**
Moves air with a sophisticated aerodynamic blade for the quietest performance on the market, with total sound levels as low as 70 dB.

No-leak, rust-resistant drain pan

Corrosion-resistant and fully sloped to reduce standing water. (Not shown)

*A 402, 802 or 803 American Standard Comfort Control is required for all 4DCZ6 dual fuel packaged units.

Heritage Hybrid™
Comfort System 4DCZ6

16

Heritage Hybrid™ Comfort System 4DCZ6

Your Profit-ability with American Standard

Sell-ability

- Industry leader and brand reputation
- Quietest performance on the market
- High efficiency; dual fuel capability
- Attractively designed with architectural louvers and corner guards
- Appliance-grade finish
- Great reliability and durability
- 20/10/5 warranty

Install-ability

- Easily converted for horizontal or vertical applications
- Factory-built 12" and 18" duct covers for extra-clean horizontal installation
- Pan-head screws on the supply and return panels for flush-fit duct connections
- Convenient right-side electrical and gas valve connections
- Easy-lift system makes hoisting quicker and safer

Service-ability

- Easy access to coil, compressor, blower and controls
- Clearly labeled access panels
- Liquid-line port in the compressor compartment

Performance-ability

- Variable-speed blower motor with advanced Comfort-R™ technology
- Heat pump operation for cool conditions
- Two-stage gas furnace for colder weather
- Two stages of cooling
- Exclusive Spine Fin™ coil
- Super-quiet high efficiency ducted fan
- Two-stage Duration™ compressor
- Electronic demand defrost

Rely-ability

- SEET* tested to ensure unmatched durability
- Heavy-duty steel cabinet and weather-beater top that sheds water
- Safe, reliable stainless steel heat exchanger and burners
- No-leak, rust-resistant drain pan
- Foil-faced, rigid insulation stays cleaner and lasts longer
- SermaGuard™ rust-resistant screws

*Seasonal Extreme Environmental Test

A warranty for you and your customers.

Not only does an American Standard extended warranty protect your customers, it allows you to maintain a relationship with them and generate future business. Extended warranties are also a great way to promote your reputation in the community and collect referrals, while ensuring customer satisfaction.

American Standard benefits for your customers

Reliable performance

Design innovations and rigorous SEET testing ensure that our name goes on only the most reliable products.

Durable construction

Materials for all components are torture-tested for consistent, reliable, long-lasting performance and durability.

Enhanced comfort

Add American Standard accessories such as Comfort Controls and Humidifiers to enhance overall performance and maximize comfort.

Cleaner air

Add an AccuExchange™ energy recovery ventilator (ERV) to reduce chemical vapors and household odors for a cleaner, more comfortable home.

Efficient operation

Increased efficiency may lower heating or cooling costs.

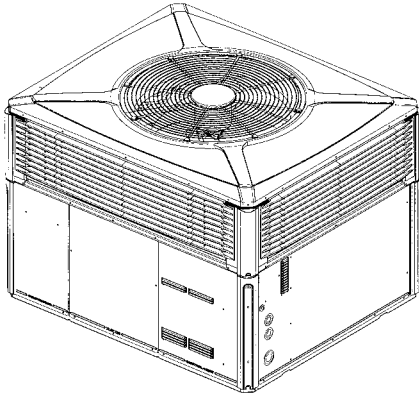
A reputation built on reliability and durability.

We salute independent American Standard dealers who work to improve the lives of their customers' families. Our promise to you is to continually dedicate ourselves to creating and manufacturing new and innovative products – products that make you and your customers a lot more comfortable.

American Standard
HEATING & AIR CONDITIONING
americanstandardair.com

Model Number	Actual SEER	AFUE	Sound Rating (dB)	Nominal Tonnage	Height (in.)	Width (in.)	Depth (in.)	208/ V 1Ø	208/ 230 V 3Ø
Heritage Hybrid Comfort System 4DCZ6									
4DCZ6036	16.0	80	70	3.0	38	51	43	•	•
4DCZ6048	16.0	80	71	4.0	42	61	46	•	•
4DCZ6060	15.2	80	73	5.0	42	61	46	•	•

Packaged Heat Pump Convertible 3-5 Tons



- Architecturally integrated louvers and corner guards deliver durable protection, extra safety, and great looks
- Appliance grade finish of durable powder paint baked on both sides of every panel

- Weather Beater Top contoured for great appearance and reinforced for strength
- Exclusive **Duration™** high efficiency 2-stage compressor with internal overload protection
- **Spine Fin™** outdoor coil for long lasting performance and durability
- Ducted outdoor fan for quiet operation
- Composite **Vortica®** Blower uses less energy to provide more air with less sound
- High efficiency variable speed ECM indoor blower motors with **Comfort-R™** airflow system
- Right-side electrical service access for high and low voltage connections
- Steeply sloped composite drain pan
- Ships in horizontal configuration and converts quickly for downflow
- One electric heater family
- Low voltage polarized plug for easy electric heater installation
- Optional filter rack kits fit inside the unit. Available for 1" or 2" media
- Demand defrost control
- Refrigerant line filter drier
- Solenoid operated switchover valve
- Copper tube, aluminum fin indoor coil
- High efficiency outdoor fan motor with polarized plug
- Non-bleed expansion valves on indoor and outdoor coils
- Pressure taps, including liquid line taps, easily accessed and protected inside compressor compartment
- Standard cooling operation to 55°F as manufactured
- Low ambient cooling to 0°F with BAYLOAM105A
- UL approved and listed
- **10-year limited compressor and outdoor coil warranty, 5-year other parts single phase (Residential Use Only)**
- **Optional extended warranty**

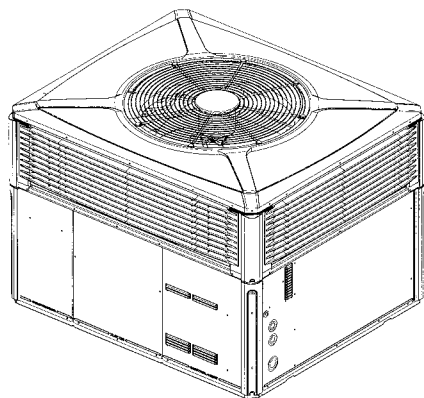
Table PH-1-A — 4WCZ6 - Heritage® 16 - Convertible Packaged Heat Pump - R-410A

Model Number	Capacity	SEER	EER High/Low	HSPF	Shipping Weight	MCA	Max Fuse	Sound Rating	Cabinet Dimensions (in.) H x D x W
4WCZ6 – 208-230/1/60									
4WCZ6036A1000A	36,000	16.40	12.20/13.30	9.00	468	26.2	40	70	36 x 43 x 51
4WCZ6048A1000A	47,500	16.00	12.00/13.60	9.00	607	34.1	50	71	42 x 46 x 61
4WCZ6060A1000A	56,500	15.20	11.50/12.50	8.60	623	37.1	60	73	42 x 46 x 61
4WCZ6 – 208-230/3/60									
4WCZ6036A3000A	36,000	16.40	12.20/13.30	9.00	468	19.1	30	70	36 x 43 x 51
4WCZ6048A3000A	47,500	16.00	12.00/13.60	9.00	607	24.5	35	71	42 x 46 x 61
4WCZ6060A3000A	56,500	15.20	11.50/12.50	8.60	623	30.3	45	73	42 x 46 x 61
4WCZ6 – 460/3/60									
4WCZ6036A4000A	36,000	16.40	12.20/13.30	9.00	468	10.4	15	70	36 x 43 x 51
4WCZ6048A4000A	47,500	16.00	12.00/13.60	9.00	607	15.3	20	71	42 x 46 x 61
4WCZ6060A4000A	56,500	15.20	11.50/12.50	8.60	623	19.2	25	73	42 x 46 x 61

For dimensional/outline drawings, please refer to Product Data.

**For information on Roof Curbs, please refer to the
Accessories/Information Tab.**

Packaged Dual Fuel Heat Pump Convertible 3-5 Tons



- Heat pump operation for cool conditions and 2-stage gas heat for colder weather
- Architecturally integrated louvers and corner guards deliver durable protection, extra safety, and great looks
- Weather Beater Top contoured for great appearance and reinforced for strength

- Ultra quiet operation provides best-in-class performance with barely noticeable sound levels
- Appliance grade finish of durable powder paint baked on both sides of the panels
- Exclusive **Duration™** high efficiency 2-stage compressor with internal overload protection
- Ducted outdoor fan with a high efficiency motor for quiet and reliable operation
- Semi-Elliptical, Logarithmic Expansion Composite **Vortica®** blower provides better airflow and less sound while using less energy
- High efficiency variable speed ECM indoor blower motors with **Comfort-R™** airflow system
- **Spine Fin™** outdoor coil for long lasting performance and durability
- Right side electrical service access for high and low voltage connections
- Rugged steel basepan features deep drawn duct connections
- Steeply sloped composite drainpan
- Ships in horizontal configuration and converts quickly for downflow
- Optional filter rack kits fit inside the unit. Available for 1" or 2" media
- Non-bleed expansion valves on indoor and outdoor coils
- Demand defrost control
- Refrigerant line filter drier
- 2-stage heating and cooling
- Stainless steel heat exchanger and burners for longer life and added safety
- Solenoid operated switchover valve
- Copper tube, aluminum fin indoor coil
- High efficiency outdoor fan motor with polarized plug
- Pressure taps, including liquid line taps, easily accessed and protected inside compressor compartment
- Low ambient cooling to 0°F with kit
- UL approved and listed
- **20-year heat exchanger, 10-year compressor, 10-year outdoor coil, and 5-year other parts limited warranty (Residential Use Only)**
- **Optional extended warranty**

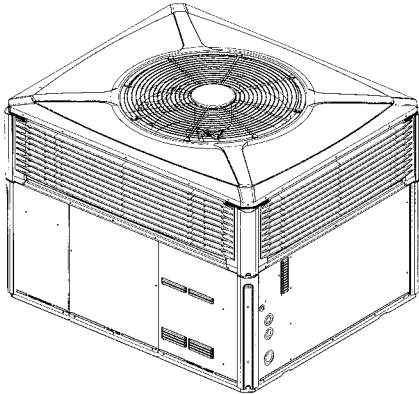
Table PH-2-A — 4DCZ6 - Heritage Hybrid™ Comfort 16 - Convertible Packaged Heat Pump - R-410A

Model Number	Cooling Capacity (BTUH)	Gas Capacity Heating Output (1 Stg./2 Stg.)	SEER/EER	HSPF	AFUE(%)	Shipping Weight	MCA	Max Fuse	Sound Rating	Cabinet Dimensions (in.) H x D x W
4DCZ6 – 208-230/1/60										
4DCZ6036A1075A	35,000	45,000/60,000	16.00 /12.00	9.00	80	488	26.2	40	70	36 x 43 x 51
4DCZ6048A1096A	47,500	57,600/76,800	16.00 /12.00	9.00	80	665	34.1	50	71	42 x 46 x 61
4DCZ6060A1120A	57,000	72,000/96,000	15.20 /11.50	8.60	80	676	37.1	60	73	42 x 46 x 61
4DCZ6 – 208-230/3/60										
4DCZ6036A3075A	35,000	45,000/60,000	16.00 /12.00	9.00	80	488	19.1	30	70	36 x 43 x 51
4DCZ6048A3096A	47,500	57,600/76,800	16.00 /12.00	9.00	80	665	24.5	35	71	42 x 46 x 61
4DCZ6060A3120A	57,000	72,000/96,000	15.20 /11.50	8.60	80	676	30.3	45	73	42 x 46 x 61

For dimensional/outline drawings, please refer to Product Data.

For information on Roof Curbs, please refer to the Accessories/Information Tab.

Packaged Heat Pump Convertible 2-5 Tons



- High efficiency variable speed ECM indoor blower motors with **Comfort-R™** airflow system
- Architectural Louvers and Corner Guards for durable protection and extra safety
- Appliance Grade Finish of durable powder paint baked on both sides of every panel
- Weather Beater top contoured for great appearance and reinforced for strength
- Exclusive **Duration™** high efficiency compressor
- All Aluminum **Spine Fin™** outdoor coil
- Swept-blade outdoor fan for quiet operation
- Semi-Elliptical, Logarithmic Expansion Composite **Vortica®** Blower uses less energy to provide more air with less sound
- Right-side electrical service access for high and low voltage connections
- Steeply sloped composite drain pan
- Ships in horizontal configuration and converts quickly for downflow
- One electric heater family
- Optional filter rack kits fit inside the unit. Available for 1" or 2" media
- Low voltage polarized plug for easy electric heater installation
- Demand defrost control
- Refrigerant line filter drier
- Solenoid operated switchover valve
- Copper tube, aluminum fin indoor coil
- High efficiency outdoor fan motor with polarized plug
- Non-bleed expansion valves on indoor and outdoor coils
- Water shed base
- Compressor internal overload protection
- Pressure taps, including liquid line taps, easily accessed and protected inside compressor compartment
- Standard cooling operation to 55°F as manufactured
- Low ambient cooling to 0°F with BAYLOAM105A
- UL Listed
- **10-year limited compressor and outdoor coil warranty, 5-year other parts single phase (Residential Use Only)**
- **Optional extended warranties**

Table PH-3-A — 4WCY4 - Heritage® 14 - Convertible Packaged Heat Pump - R-410A

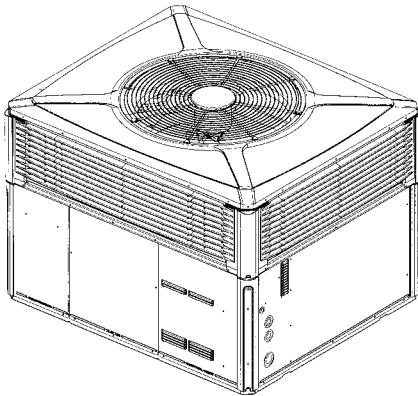
Model Number	Capacity	SEER/EER	HSPF	Shipping Weight	MCA	Max Fuse	Sound Rating	Cabinet Dimensions (in.) H x D x W
4WCY4 – 208-230/1/60								
4WCY4024A1000A	24,400	14.00/11.80	8.00	453	16.1	25	68	36 x 43 x 51
4WCY4030A1000A ^①	30,000	14.25/12.00	8.00	453	19.2	30	71	36 x 43 x 51
4WCY4036A1000A	37,000	14.00/11.75	8.20	468	24.6	40	69	36 x 43 x 51
4WCY4042A1000A ^①	42,000	14.25/12.00	8.00	607	31.5	50	74	38 x 46 x 61
4WCY4048A1000A	47,000	14.00/11.75	8.00	607	33.9	50	73	38 x 46 x 61
4WCY4060A1000A	58,000	14.00/11.50	8.00	623	42.3	60	76	42 x 46 x 61
4WCY4 – 208-230/3/60								
4WCY4036A3000A	35,800	14.00/11.75	8.20	468	19.8	30	69	36 x 43 x 51
4WCY4048A3000A	47,000	14.00/11.75	8.00	607	26.4	40	73	38 x 46 x 61
4WCY4060A3000A	58,000	14.00/11.50	8.00	623	30.6	45	76	42 x 46 x 61

^① Available March 2008.

For dimensional/outline drawings, please refer to Product Data.

**For information on Roof Curbs, please refer to the
Accessories/Information Tab.**

Packaged Dual Fuel Heat Pump Convertible 2-5 Tons



- Heat pump operation for cool conditions and 2-stage gas heat for colder weather
- Architecturally integrated louvers and corner guards deliver durable protection, extra safety, and great looks
- Weather Beater Top contoured for great appearance and reinforced for strength

- Ultra quiet operation provides best-in-class performance with barely noticeable sound levels
- Appliance grade finish of durable powder paint baked on both sides of the panels
- Exclusive **Duration™** high efficiency compressor with internal overload protection
- Ducted outdoor fan with a high efficiency motor for quiet and reliable operation
- Semi-Elliptical, Logarithmic Expansion Composite **Vortica®** blower provides better airflow and less sound while using less energy
- High efficiency variable speed ECM indoor blower motors with **Comfort-R™** airflow system
- **Spine Fin™** outdoor coil for long lasting performance and durability
- Right side electrical service access for high and low voltage connections
- Rugged steel basepan features deep drawn duct connections
- Steeply sloped composite drainpan
- Ships in horizontal configuration and converts quickly for downflow
- Optional filter rack kits fit inside the unit. Available for 1" or 2" media
- Non-bleed expansion valves on indoor and outdoor coils
- Demand defrost control
- Stainless steel heat exchanger and burners for longer life and added safety
- High efficiency outdoor fan motor with polarized plug
- Solenoid operated switchover valve
- Copper tube, aluminum fin indoor coil
- Refrigerant line filter drier
- Pressure taps, including liquid line taps, easily accessed and protected inside compressor compartment
- Low ambient cooling to 0°F with kit
- UL approved and listed
- **20-year heat exchanger, 10-year compressor, 10-year outdoor coil, and 5-year other parts limited warranty (Residential Use Only)**
- **Optional extended warranty**

Table PH-4-A — 4DCY4 - Heritage Hybrid™ Comfort 14 - Convertible Packaged Heat Pump - R-410A

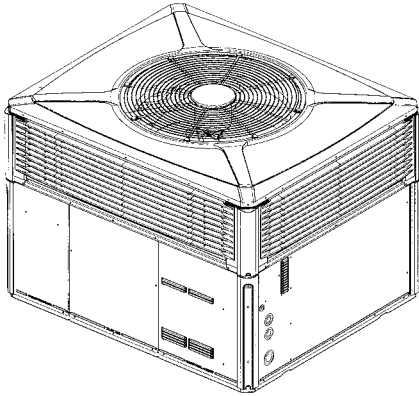
Model Number	Cooling Capacity (BTUH)	Gas Capacity Heating Output (1 Stg./2 Stg.)	SEER/EER	HSPF	AFUE(%)	Shipping Weight	MCA	Max Fuse	Sound Rating	Cabinet Dimensions (in.) H x D x W
4DCY4 – 208-230/1/60										
4DCY4024A1064A	23,600	38,400/51,200	14.00/11.80	8.00	80	481	16.1	25	68	36 x 43 x 51
4DCY4030A1075A [Ⓢ]	30,000	45,000/60,000	14.00/11.50	8.00	80	623	42.3	60	76	36 x 43 x 51
4DCY4036A1075A	36,000	45,000/60,000	14.00/11.40	8.00	80	488	24.6	40	69	36 x 43 x 51
4DCY4042A1096A [Ⓢ]	42,000	57,600/76,800	14.25/12.00	8.00	80	653	31.5	50	74	38 x 46 x 61
4DCY4048A1096A	47,000	57,600/77,500	14.00/11.75	8.00	80	653	33.9	50	73	38 x 46 x 61
4DCY4060A1120A	57,500	72,000/96,000	14.00/11.50	8.00	80	676	42.3	60	76	42 x 46 x 61
4DCY4 – 208-230/3/60										
4DCY4036A3075A	36,000	45,000/60,000	14.00/11.40	8.00	80	498	19.8	30	69	36 x 43 x 51
4DCY4048A3096A	47,000	57,600/77,500	14.00/11.75	8.00	80	653	26.4	40	73	38 x 46 x 61
4DCY4060A3120A	57,500	72,000/96,000	14.00/11.50	8.00	80	676	30.6	60	76	42 x 46 x 61

[Ⓢ] Available March 2008.

For dimensional/outline drawings, please refer to Product Data.

**For information on Roof Curbs, please refer to the
Accessories/Information Tab.**

Packaged Heat Pump Convertible 1½-5 Tons



- Architectural Louvers and Corner Guards for durable protection and extra safety
- Appliance Grade Finish of durable powder paint baked on both sides of every panel

- Weather Beater top contoured for great appearance and reinforced for strength
- Exclusive **Duration™** high efficiency compressor
- All Aluminum **Spine Fin™** outdoor coil
- Swept-blade outdoor fan for quiet operation
- Composite **Vortica®** Blower uses less energy to provide more air with less sound
- Right-side electrical service access for high and low voltage connections
- Steeply sloped composite drain pan
- Ships in horizontal configuration and converts quickly for downflow
- One electric heater family
- Optional filter rack kits fit inside the unit. Available for 1" or 2" media
- Low voltage polarized plug for easy electric heater installation
- Demand defrost control
- Refrigerant line filter drier
- Solenoid operated switchover valve
- Copper tube, aluminum fin indoor coil
- High efficiency outdoor fan motor with polarized plug
- Non-bleed expansion valves on indoor and outdoor coil
- Water shed base
- Direct drive multi-speed blower motor
- Compressor internal overload protection
- Pressure taps, including liquid line tap, easily accessed and protected inside compressor compartment
- Standard cooling operation to 55°F as manufactured
- Low ambient cooling to 0°F with BAYLOAM105A
- UL Listed
- **10-year limited compressor and outdoor coil warranty, 5-year other parts single phase (Residential Use Only)**
- **Optional extended warranties**

Table PH-5-A — 2WCX3 - Heritage® 13 - Convertible Packaged Heat Pump - R-22

Model Number	Capacity	SEER/EER	HSPF	Shipping Weight	MCA	Max Fuse	Sound Rating	Cabinet Dimensions (in.) H x D x W
2WCX3 – 208-230/1/60								
2WCX3024A1000A	22,800	13.00/11.50	7.70	453	12.5	20	72	36 x 43 x 51
2WCX3030A1000A	29,200	13.00/11.20	8.00	454	17.1	25	72	36 x 43 x 51
2WCX3036A1000A	36,000	13.00/11.00	7.70	468	24.2	40	71	36 x 43 x 51
2WCX3042A1000A	40,000	13.00/11.00	8.00	529	24.6	40	73	38 x 46 x 61
2WCX3048A1000A	46,500	13.00/11.00	7.70	553	28.6	45	73	38 x 46 x 61
2WCX3060A1000A	58,500	13.00/11.00	8.00	623	40.6	60	72	42 x 46 x 61

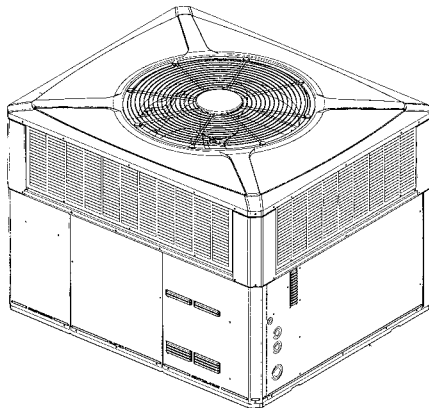
Table PH-5-B — 4WCX3 - Heritage® 13 - Convertible Packaged Heat Pump - R-410A

Model Number	Capacity	SEER/EER	HSPF	Shipping Weight	MCA	Max Fuse	Sound Rating	Cabinet Dimensions (in.) H x D x W
4WCX3 – 208-230/1/60								
4WCX3018A1000A	18,000	13.15/11.00	7.70	444	10.6	15	69	36 x 43 x 51
4WCX3036A1000A	36,200	13.20/11.00	7.70	468	25.5	40	71	36 x 43 x 51
4WCX3048A1000A	46,000	13.15/10.75	7.70	553	31.1	50	73	38 x 46 x 61
4WCX3060A1000A	59,500	13.05/10.85	7.70	618	43.5	60	72	40 x 46 x 61
4WCX3 – 208-230/3/60								
4WCX3036A3000A	36,200	13.20/11.00	7.75	468	18.2	30	71	36 x 43 x 51
4WCX3048A3000A	46,000	13.15/10.75	8.25	553	23.6	35	73	38 x 46 x 61
4WCX3060A3000A	59,500	13.05/10.85	7.85	618	31.7	50	72	40 x 46 x 61
4WCX3 – 460/3/60								
4WCX3036A4000A	36,200	13.20/11.00	7.75	468	8.7	15	71	36 x 43 x 51
4WCX3048A4000A	46,000	13.15/10.75	8.25	553	11.7	15	73	38 x 46 x 61
4WCX3060A4000A	59,500	13.05/10.85	7.85	618	19.5	25	72	40 x 46 x 61

For dimensional/outline drawings, please refer to Product Data.

**For information on Roof Curbs, please refer to the
Accessories/Information Tab.**

Packaged Heat Pump Convertible 1½-5 Tons



- All steel louvers and cabinet for rugged, long lasting protection
- Appliance Grade Finish of durable powder paint baked on both sides of every panel
- Weather Beater top contoured for great appearance and reinforced for strength.

- Exclusive **Duration™** high efficiency compressor
- All Aluminum **Spine Fin™** outdoor coil
- Composite **Vortica®** Blower uses less energy to provide more air with less sound
- Right-side electrical service access for high and low voltage connections
- Steeply sloped composite drain pan
- Ships in horizontal configuration and converts quickly for downflow
- One electric heater family
- Optional filter rack kits fit inside the unit. Available for 1" or 2" media
- Heavy gauge steel cabinet with weather resistant, baked enamel finish
- Top discharge fan
- Low voltage polarized plug for easy electric heater installation
- Demand defrost control
- Refrigerant line filter drier
- Solenoid operated switchover valve
- Copper tube, aluminum fin indoor coil
- High efficiency outdoor fan motor with polarized plug
- Non-bleed expansion valves on indoor and outdoor coil
- Water shed base
- Direct drive multi-speed blower motor
- Compressor internal overload protection
- Pressure taps, including liquid line tap, easily accessed and protected inside compressor compartment
- Standard cooling operation to 55°F as manufactured
- Low ambient cooling to 0°F with BAYLOAM105A
- UL Listed
- **5-year compressor and other parts limited warranty (Residential Use Only)**
- **Optional extended warranties**

Table PH-6-A — 2WCC3 - American Standard 13 - Convertible Packaged Heat Pump - R-22

Model Number	Capacity	SEER/EER	HSPF	Shipping Weight	MCA	Max Fuse	Sound Rating	Cabinet Dimensions (in.) H x D x W
2WCC3— 208-230/1/60								
2WCC3024A1000A	22,800	13.00/11.00	7.70	453	12.5	20	76	36 x 43 x 51
2WCC3030A1000A	28,000	13.00/11.00	7.70	454	17.1	25	76	36 x 43 x 51
2WCC3036A1000A	35,000	13.00/11.00	7.70	468	24.2	40	75	36 x 43 x 51
2WCC3042A1000A	40,000	13.00/11.00	7.70	529	24.6	40	78	38 x 46 x 61
2WCC3048A1000A	46,500	13.00/11.00	7.70	553	28.6	45	79	38 x 46 x 61
2WCC3060A1000A	58,000	13.00/11.00	7.70	623	40.6	60	79	42 x 46 x 61

Table PH-6-B — 4WCC3 - American Standard 13 - Convertible Packaged Heat Pump - R-410A

Model Number	Capacity	SEER/EER	HSPF	Shipping Weight	MCA	Max Fuse	Sound Rating	Cabinet Dimensions (in.) H x D x W
4WCC3— 208-230/1/60								
4WCC3018A1000A	18,000	13.00/11.00	7.70	444	10.6	15	74	36 x 43 x 51
4WCC3036A1000A	35,000	13.00/11.00	7.70	468	25.5	40	75	36 x 43 x 51
4WCC3048A1000A	46,000	13.00/10.75	7.70	553	31.1	50	80	38 x 46 x 61
4WCC3060A1000A	58,000	13.00/10.85	7.70	618	43.5	60	79	40 x 46 x 61
4WCC3 — 208-230/3/60								
4WCC3036A3000A	35,000	13.00/11.00	7.70	468	18.2	30	75	36 x 43 x 51
4WCC3048A3000A	46,000	13.00/10.75	7.70	553	23.6	35	80	38 x 46 x 61
4WCC3060A3000A	58,000	13.00/10.85	7.70	618	31.7	50	79	40 x 46 x 61
4WCC3— 460/3/60								
4WCC3036A4000A	35,000	13.00/11.00	7.70	468	8.7	15	75	36 x 43 x 51
4WCC3048A4000A	46,000	13.00/10.75	7.70	553	11.7	15	80	38 x 46 x 61
4WCC3060A4000A	58,000	13.00/10.85	7.70	618	19.5	25	79	40 x 46 x 61

For dimensional/outline drawings, please refer to Product Data.

**For information on Roof Curbs, please refer to the
Accessories/Information Tab.**

Packaged Heat Pump Convertible 1½-5 Tons

Table PH-7-A — Accessories

	4WCZ6 3-5	4DCZ6 3-5	4WCY4 2-5	4DCY4 2-5	2WCX3 2-5	4WCX3 1½-5	2WCC3 2-5	4WCC3 1½-5
BAYACCDOR1A Hinged Filter Access Door	3	3	2-3	2-3	2-3	1½-3	2-3	1½-3
BAYACCDOR2A Hinged Filter Access Door	3½-5	3½-5	3½-5	3½-5	3½-5	3½-5	3½-5	3½-5
BAYADAP050A Adapter Curb (Cabinet A/B)	3	3	2-3	2-3	2-3	1½-3	2-3	1½-3
BAYADAP051A Adapter Curb (Cabinet C)	3	3	2-3	2-3	2-3	1½-3	2-3	1½-3
BAYADAP052A Adapter Curb (Cabinet A/B)	4-5	4-5	3½-5	3½-5	3½-5	3½-5	3½-5	3½-5
BAYADAP053A Adapter Curb (Cabinet C)	4-5	4-5	3½-5	3½-5	3½-5	3½-5	3½-5	3½-5
BAYADAP054A Adapter Curb (Cabinet D)	4-5	4-5	3½-5	3½-5	3½-5	3½-5	3½-5	3½-5
BAYASCT001 Anti-Short Cycle Timer®	✓	✓	✓	✓	✓	✓	✓	✓
BAYCCHT101A Crankcase Heater (230V) (Reciprocating)	—	—	2	2	2-2½,4	1½	2-2½,4	1½
BAYCCHT102A Crankcase Heater (230V) (Scroll)	3, 4, 5	3, 4, 5	3, 4, 5	3, 4, 5	3-3½,5	3-5	3-5	3-5
BAYCCHT404B Crankcase Heater (460V) (Scroll)	3, 4, 5	3, 4, 5	3, 4, 5	3, 4, 5	—	3-5	—	3-5
BAYCOVR112A 12" Duct Shroud (Covers Horizontal Ducts)®	3-5	3-5	2-5	2-5	2-5	1½-5	2-5	1½-5
BAYCOVR118A 18" Duct Shroud (Covers Horizontal Ducts)®	3-5	3-5	2-5	2-5	2-5	1½-5	2-5	1½-5
BAYCURB050A Flat Roof Curb (Insulated)®	3	3	2-3	2-3	2-3	1½-3	2-3	1½-3
BAYCURB051A Flat Roof Curb (Insulated)®	4-5	4-5	3½-5	3½-5	3½-5	1½-5	3½-5	3½-5
BAYDMPR101A 2-Position Motorized Damper®②④⑥⑧	3	3	2-3	2-3	2-3	1½-3	2-3	1½-3
BAYDMPR102A 2-Position Motorized Damper®②④⑥⑧	4-5	4-5	3½-5	3½-5	3½-5	3½-5	3½-5	3½-5
BAYECON101A Economizer with Barometric Relief®①②④⑤⑧⑩⑬⑰	—	—	2-3	2-3	2-3	1½-3	2-3	1½-3
BAYECON102A Economizer with Barometric Relief®①②④⑤⑧⑩⑬⑰	—	—	3½-5	3½-5	3½-5	3½-5	3½-5	3½-5
BAYECON103A Economizer with Barometric Relief®①②④⑤⑧⑩⑬⑰	3	3	—	—	—	—	—	—
BAYECON104A Economizer with Barometric Relief®①②④⑤⑧⑩⑬⑰	4-5	4-5	—	—	—	—	—	—
BAYECON200A Economizer (Horizontal)®①②④⑧⑩⑬	—	—	2-3	2-3	2-3	1½-3	2-3	1½-3
BAYECON201A Economizer (Horizontal)®①②④⑧⑩⑬	—	—	3½-5	3½-5	3½-5	3½-5	3½-5	3½-5
BAYECON203A Economizer (Horizontal)®①②④⑧⑩⑬	3	3	—	—	—	—	—	—
BAYECON204A Economizer (Horizontal)®①②④⑧⑩⑬	4-5	4-5	—	—	—	—	—	—
BAYENTH001A Enthalpy Control Kit®	✓	✓	✓	✓	✓	✓	✓	✓
BAYEXMK001A Extreme Conditions Mounting Kit	✓	✓	✓	✓	✓	✓	✓	✓
BAYEXMK002B Extreme Conditions Mounting Kit	✓	✓	✓	✓	✓	✓	✓	✓
BAYEXMK003A Extreme Conditions Mounting Kit (Used on Slab Mounts)	✓	✓	✓	✓	✓	✓	✓	✓
BAYFLTR101B 1-2" Filter Frame (requires one 20x25®① filter which is not included)®②	3	3	2-3	2-3	2-3	1½-3	2-3	1½-3
BAYFLTR201B 1-2" Filter Frame (requires one 20x20®①, and one 20x18®① filters which are not included)®②	4-5	4-5	3½-5	3½-5	3½-5	3½-5	3½-5	3½-5
BAYLIFT002B Lifting Lug Kit	✓	✓	✓	✓	✓	✓	✓	✓
BAYLOAM105A Low Ambient Control Kit	✓	✓	✓	✓	✓	✓	✓	✓
BAYRLAY004A Economizer Relay	—	—	✓	✓	✓	✓	✓	✓
BAYRLAY006A Economizer Relay	✓	✓	—	—	—	—	—	—
BAYOSAH001A Manual Fresh Air Damper®②	3	3	2-3	2-3	2-3	1½-3	2-3	1½-3
BAYOSAH002A Manual Fresh Air Damper®②	4-5	4-5	3½-5	3½-5	3½-5	3½-5	3½-5	3½-5
BAYQSTK300A Quick Start Kit	1 Phase Only	1 Phase Only	1 Phase Only	1 Phase Only	1 Phase Only	1 Phase Only	1 Phase Only	1 Phase Only
BAYSQRD001A 16" Round Duct Adapter®	3	3	2-3	2-3	2-3	1½-3	2-3	1½-3
BAYSQRD002A 18" Round Duct Adapter®	4-5	4-5	2-5	2-5	2-5	1½-5	2-5	1½-5
BAYUTIL101B Roof Curb Extension Kit	3	3	2-3	2-3	2-3	1½-3	2-3	1½-3
BAYUTIL102B Roof Curb Extension Kit	4-5	4-5	3½-5	3½-5	3½-5	3½-5	3½-5	3½-5

- ① Relay required with economizer on all 2/4WC*3 models.
- ② Must use filter frame when economizer/fresh air kit is used.
- ③ Ships knocked down.
- ④ Dry bulb control standard with economizer.
- ⑤ Downflow Only.
- ⑥ Full perimeter curb for 2/4WC*3018-036A models.
- ⑦ Full perimeter curb for 2/4WC*3042-060A models.
- ⑧ 2-Stage cooling control required when using economizer.
- ⑨ Do not use with electronic thermostats.
- ⑩ It is the responsibility of the installing dealer to properly size the ductwork for each specific application.
- ⑪ BAYRLAY004A, required on all heat pump applications.
- ⑫ BAYCOVR112,118A will not cover BAYSQRD002A applications.
- ⑬ Does not contain barometric relief.
- ⑭ Max fresh air - 25%.
- ⑮ For non-continuous fan gas-heating applications, the damper opens only when the OD ambient is above 50° F.
- ⑯ It is the designer/engineer's responsibility to review product specifications prior to equipment selection to insure optimal performance and compliance to codes.
- ⑰ Temperature of mixed air entering the heat exchanger is monitored and fresh air intake may be reduced under certain conditions.

EXISTING CURB	NEW UNIT 2/4TC/WC/YC****A	USE BAYADAP0**A
BAYCURB030,38A	018-036	50
BAYCURB030,38A	042-060	52
BAYCURB033A	018-036	51
BAYCURB033A	042-060	53
BAYCURB034A	042-060	54

For dimensional/outline drawings, please refer to Product Data.
For information on Roof Curbs, please refer to the Accessories/Information Tab.

Packaged Heat Pump Convertible 1½-5 Tons

Table PH-8-A — Supplementary Heaters – Separate power source /power entry required

Model Number	Description	Used With	Shipping Weight
BAYHTRV105E	3.76/5.0 kW Heater (208/240V 1PH)	2/4WC*3018-060A1,4024-060A1,6036-060A1	9
BAYHTRV108E	6.0/8.0 kW Heater (208/240V 1PH)	2/4WC*3018-060A1,4024-060A1,6036-060A1	10
BAYHTRV110E	7.50/10.0 kW Heater (208/240V 1PH)	2/4WC*3024-060A1,4024-060A1,6036-060A1	10
BAYHTRV115E	11.27/15.00 kW Heater (208/240V 1PH)	2/4WC*3030-060A1,4036-060A1,6036-060A1	14
BAYHTRV120E	15.0/20.0 kW Heater (208/240V 1PH)	2/4WC*3048-060A1,4048-060A1,6048-060A1	14
BAYHTRV125E	18.78/25.0 kW Heater (208/240V 1PH)	2/4WC*3060A1,4060A1,6048-060A1	21
BAYHTRV305E	3.76/5.0 kW Heater (208/240V 3PH)	2/4WC*3018-060A3,4036-060A3,6036-060A3	9
BAYHTRV308E	6.0/8.0 kW Heater (208/240V 3PH)	2/4WC*3018-060A3,4036-060A3,6036-060A3	10
BAYHTRV310E	7.50/10.0 kW Heater (208/240V 3PH)	2/4WC*3024-060A3,4036-060A3,6036-060A3	10
BAYHTRV315E	11.27/15.00 kW Heater (208/240V 3PH)	2/4WC*3030-060A3,4036-060A3,6036-060A3	14
BAYHTRV320E	15.00/20.0 kW Heater (208/240V 3PH)	2/4WC*3048-060A3,4048-060A3,6048-060A3	14
BAYHTRV325E	18.78/25.0 kW Heater (208/240V 3PH)	2/4WC*3060A3,4060A3,6048-060A3	20
BAYHTRV405E	3.76/5.0 kW Heater (480V 3PH)	2/4WC*3018-060A4,6036-060A4	9
BAYHTRV408E	8.0 kW Heater (480V 3PH)	2/4WC*3018-060A4,6036-060A4	10
BAYHTRV410E	10.0 kW Heater (480V 3PH)	2/4WC*3024-060A4,6036-060A4	10
BAYHTRV415E	15.00 kW Heater (480V 3PH)	2/4WC*3030-060A4,6036-060A4	14
BAYHTRV420E	20.0 kW Heater (480V 3PH)	2/4WC*3048-060A4,6048-060A4	14
BAYHTRV425E	25.0 kW Heater (480V 3PH)	2/4WC*3060A4,6048-060A4	16

Table PH-8-B — Single Power Entry Kit/Heater Matrix:

Single Power Entry Kit [Ⓞ]	Heater Model	Unit Model	Shipping Weight
BAYSPEK060E	BAYHTRV105E	2WC*3024-048A1 4WC*3018-036A1, 4WCY4024-036A1, 4WCZ6036A1	3
	BAYHTRV108E	2WC*3024-030A1 4WC*3018A1, 4WCY4024A1	
BAYSPEK061E	BAYHTRV305E	4WC*3036-060A3, 4WCY4036-060A3, 4WCZ6036-060A3	7
	BAYHTRV308E	4WC*3036-060A3, 4WCY4036-060A3, 4WCZ6036-060A3	
	BAYHTRV310E	4WC*3036-048A3, 4WCY4036-060A3, 4WCZ6036-048A3	
	BAYHTRV405E	4WC*3036-060A4, 4WCZ6048-060A4	
	BAYHTRV408E	4WCZ6048-060A4	
	BAYHTRV410E	4WC*3036-060A4, 4WCZ6036-060A4	
	BAYHTRV415E	4WC*3036-060A4, 4WCZ6036-060A4	
	BAYHTRV420E	4WC*3036-048A4, 4WCZ6048-060A4	
BAYSPEK062E	BAYHTRV105E	2WC*3060A1 4WC*3048-060A1, 4WCY4048-060A1, 4WCZ6048-060A1	7
	BAYHTRV108E	2WC*3036-060A1 4WC*3036-060A1, 4WCY4036-060A1, 4WCZ6036-060A1	
	BAYHTRV110E	2WC*3024-060A1 4WC*3048-060A1, 4WCY4024-060A1, 4WCZ6036-060A1	
	BAYHTRV115E	2WC*3030-060A1 4WC*3036-060A1, 4WCY4036-060A1, 4WCZ6036-060A1	
BAYSPEK063E	BAYHTRV120E	2WC*3048-060A1 4WC*3048-060A1, 4WCY4048-060A1, 4WCZ6048-060A1	7
	BAYHTRV125E	4WC*3060A1, 4WCY4060A1, 4WCZ6060A1	
BAYSPEK064E	BAYHTRV315E	4WC*3036-060A3, 4WCY4036-060A3, 4WCZ6036-060A3	6
	BAYHTRV320E	4WC*3048-060A3, 4WCY4048-060A3, 4WCZ6048-060A3	
BAYSPEK065E	BAYHTRV310E	4WC*3060A3, 4WCY4060A3, 4WCZ6060A3	7

Ⓞ All necessary fuses are included in kit; however, not all kits require fuses. Please refer to BAYSPEK Installers Guide.
Note: Replace "" with "C" or "X" as appropriate.

For dimensional/outline drawings, please refer to Product Data.

**For information on Roof Curbs, please refer to the
Accessories/Information Tab.**

Packaged Heat Pump Convertible 3-5 Tons

WCZ-F – 16 SEER

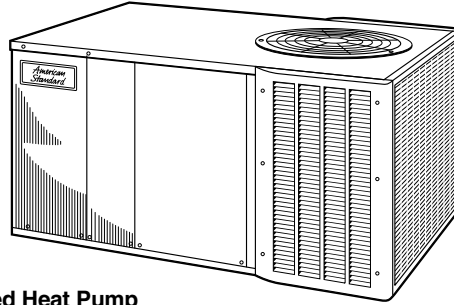


Table PH-9-A — WCZ – Convertible Packaged Heat Pump

Unit Model No.	SEER/EER	HSPF	Cooling Capacity (Btuh)	Cabinet Dimensions (in.) H x D x W	Supply/Return Downflow W x L	Supply/Return Horizontal H x W	Shipping Weight (lbs.)	MCA*	Max Fuse*	Sound Rating	Comp.
WCZ – 208-230/1/60											
WCZ036F100C	15.60/11.00	7.70	36,000	29 x 36 x 64 (C)	10 x 17 ^{1/2}	18 ^{9/16} x 11 ^{1/16}	588	27.1	40	80	R1/2
WCZ060F100B	15.05/10.50	8.10	58,000	33 x 45 x 65 (D)	14 x 20	21 ^{1/16} x 15 ^{1/16}	679	43.5	70	82	R1/2
WCZ – 208-230/3/60											
WCZ036F300C	15.60/11.00	7.70	36,000	29 x 36 x 64 (C)	10 x 17 ^{1/2}	18 ^{9/16} x 11 ^{1/16}	588	19.6	30	82	R1/2
WCZ060F300B	15.00/10.50	8.10	58,000	33 x 45 x 65 (D)	14 x 20	21 ^{1/16} x 15 ^{1/16}	679	30.9	45	82	R1/2

* Information subject to change. Please confirm with current Product Data/Service Facts for current factory production.
Compressor Types are: R1 = Reciprocating One Cylinder, R2 = Reciprocating Two Cylinder, S = Scroll

Table PH-9-B — Features

- **Impack Plus™** feature set
- **Duration™** Compressor (2)
- **Comfort-R™** mode option
- **DuraTuff™** Plate Fin coil
- **Coil Sav'R™** coil guard
- Crankcase heater
- Deluxe XL Lexan nameplate
- Demand defrost control with Lite Port™/Stored diagnostics
- GE ECM variable speed fan w/potted motor module
- Horizontal convertible to downflow
- Polarized plugs
- Powder paint
- Two-stage cooling
- Two-stage heating
- **5-year limited compressor only warranty (Commercial use)**
- **5-year limited parts warranty (Residential use)**
- **1-year limited coil and parts warranty (Commercial use)**
- **10-year limited compressor and outdoor coil warranty (Residential use)**

WCZ
3-5

Comfort Controls — See Comfort Controls/Zone Sensors Section

For dimensional/outline drawings, please refer to Product Data.

**For information on Roof Curbs, please refer to the
Accessories/Information Tab.**

Packaged Heat Pump Convertible 3-5 Tons

Table PH-10-A — Supplementary Heaters – Single Point Entry Kit/Heater Matrix

Model No.	Used With Single Description	Used With Power Entry Kit ^{①②}	Packaged Heat Pump Unit
BAYHTRN105A	3.74/4.98 kW Heater (208/240V 1PH)	BAYSPEK047A	WCZ036F1
BAYHTRN108A	5.76/7.68 kW Heater (208/240V 1PH)	BAYSPEK049A	WCZ036F1
BAYHTRN110A	7.47/9.96 kW Heater (208/240V 1PH)	BAYSPEK049A, BAYSPEK053A	WCZ036F1, WCZ060F1
BAYHTRN112A	8.65/11.52 kW Heater (208/240V 1PH)	BAYSPEK049A, BAYSPEK053A	WCZ036F1, WCZ060F1
BAYHTRN115A	11.21/14.94 kW Heater (208/240V 1PH)	BAYSPEK048A, BAYSPEK052A	WCZ036F1, WCZ060F1
BAYHTRN117A	12.98/17.28 kW Heater (208/240V 1PH)	BAYSPEK048A, BAYSPEK052A	WCZ036F1, WCZ060F1
BAYHTRN123A	17.2/23.04 kW Heater (208/240V 1PH)	BAYSPEK052A	WCZ060F1
BAYHTRN306A	4.89/6.25 kW Heater (208/240V 3PH)	BAYSPEK047A	WCZ036-060F3
BAYHTRN310A	7.45/9.96 kW Heater (208/240V 3PH)	BAYSPEK047A, BAYSPEK051A	WCZ036F3, WCZ060F3
BAYHTRN310F	7.45/9.96 kW Heater (208/240V 3PH)	BAYSPEK051A, BAYSPEK047A	WCZ060F3, WCZ036F3
BAYHTRN315A	11.25/14.90 kW Heater (208/240V 3PH)	BAYSPEK051A	WCZ036-060F3
BAYHTRN320A	14.96/19.92 kW Heater (208/240V 3PH)	BAYSPEK051A	WCZ060F3
BAYHTRN330A	22.41/29.80 kW Heater (208/240V 3PH)	BAYSPEK050A	WCZ060F3

- ① All necessary fuses are included in kit; however, not all kits require fuses. Please refer to BAYSPEK Installers Guide.
② Relay required with economizer on WCZ-F models.

Table PH-10-B — Accessories

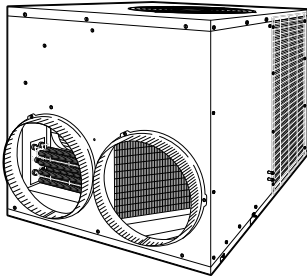
	WCZ 3-5
BAYASCT001 ^{⑥⑦} Anti-Short Cycle Timer	3-5
BAYCURB030A Roof Curb (Flat Roof) ^③ (14 H x 34 W x 53 ¹ / ₈ L)	3-5
BAYCURB033A Roof Curb (Flat Roof) ^③ Acousti-Curb (14 H x 34 W x 60 ⁵ / ₈ L)	3
BAYCURB034A Roof Curb (Flat Roof) ^③ Acousti-Curb (14 H x 43 W x 62 ¹ / ₁₆ L)	5
BAYCURB038A Roof Curb (Flat Roof) ^③ Acousti-Curb (14 H x 34 W x 53 ¹ / ₈ L)	3-5
BAYDMPR040A 0-25% Manual Fresh Air Damper (Downflow Only) ^②	3
BAYDMPR041A 0-25% Manual Fresh Air Damper (Downflow Only) ^②	5
BAYDUCT004A 12" Round Duct Adapters (2 per Box)	3
BAYDUCT005A 14" Round Duct Adapters (1 per Box)	3
BAYECMT002A Extreme Conditions Mounting Kit (Curb Mount)	3-5
BAYECMT003A Extreme Conditions Mounting Kit (Slab or Rack Mount)	3-5
BAYECON054B 0-100% Mod. Downflow Economizer with Bar Relief ^{①②④⑤}	3
BAYECON055B 0-100% Mod. Downflow Economizer with Bar Relief ^{①②④⑤}	5
BAYECON073A 0-100% Mod. Horizontal Economizer ^{①②④⑤}	3-5
BAYENTH001A Enthalpy Control (Solid State) ^④	3-5
BAYFLTR013A Filter Frame ^② (20 x 25 x 1" filter not included)	3
BAYFLTR014A Filter Frame ^② (3-10 x 25 x 1" filter not included)	5
BAYFLTR018A Filter Frame ^② (1-20 x 25 x 2" filter not included)	3
BAYFLTR019A Filter Frame ^② (2-16 x 25 x 2" filter not included)	5
BAYINDK002A** Insulated Deck Pan for C Cabinet	3
BAYINDK003A*** Insulated Deck Pan for D Cabinet	5
BAYLIFT002B Lifting Lug Kit	3-5
BAYLOAM011A Evaporator Defrost Control Kit	3-5
BAYOSAC001A Outside Air Controller	3-5
BAYRLAY004A Economizer Relay Kit ^①	3-5
BAYSTAT023 Remote Potentiometer for All Economizers	3-5

- ① BAYRLAY004A required with economizer.
② Must use filter frame when economizer/fresh air kit is used.
③ Ships knocked down.
④ Dry bulb control standard with economizer.
⑤ 2-Stage cooling control required when using economizer.
⑥ Do not use with programmable thermostats.
⑦ Activated on Power On.
** Currently Shipped with BAYCURB033A.
*** Currently Shipped with BAYCURB034A.

For dimensional/outline drawings, please refer to Product Data.

**For information on Roof Curbs, please refer to the
Accessories/Information Tab.**

Packaged Heat Pump 2-3¹/₂ Tons



WCK

- External pressure taps for refrigerant checks
- Non-bleed thermal expansion valves
- 14" round duct connections included
- **Duration™** compressor
- Compressor motor overload protection

- Internal pressure relief valve
- Demand Defrost Control w/Lite Port™/ Stored Diagnostics
- Copper tube, aluminum plate fin coils
- Static (0.5") ESP Indoor Blower System with two-speed blower motor
- Shaft-Down OD fan system for quiet operation
- Evaporator defrost control
- Sloped composite drain pan
- Waterproof closed-cell foam evaporator base insulation
- Heavy gauge steel cabinet
- Weather resistant Powder Paint
- Powder painted base pan with dimpled feet
- Wrap-around vinyl-coated wire coil guards

- Polarized plug for easy field connection of low voltage to supplementary heaters
- Contains high efficiency indoor blower motors
- Low ambient cooling to 45°F as manufactured
- Low ambient cooling to 0°F with accessory BAYLOAM011A
- UL listed
- **5-year limited warranty on compressor and 5-year on all other parts (Residential use)**
- **Optional extended warranties**

Table PH-11-A — Manufactured Housing - Single Phase (208/230/1/60)

Tons	Unit Model No.	SEER/EER	HSPF	Cooling Capacity (Btuh)	Dimensions (in.) H x D x W	Round Supply Opening	Round Return Opening	Shipping Weight (lbs.)	Sound Rating	Compressor
2	WCK024C100A (**)	13.00/11.88	7.70	25,000	31 x 32 x 44	14"	14"	345	78	R1
2 ¹ / ₂	WCK030C100A (**)	13.50/12.45	7.70	29,400	31 x 32 x 44	14"	14"	345	75	S
3	WCK036C100A (**)	13.00/11.39	7.70	35,000	31 x 32 x 44	14"	14"	355	75	S
3 ¹ / ₂	WCK042C100A (**)	13.00/11.37	7.70	40,500	31 x 32 x 44	14"	14"	360	77	S

Table PH-11-B — Supplementary Heaters: Separate power source/power entry or Single Power Source (208/240)

Model No.	Description	Used With	Shipping (Weight lbs.)
BAYHTRK105A	3.74/4.98 kW Heater	WCK024-42B1	9
BAYHTRK110A	7.47/9.96 kW Heater	WCK030-42B1	10
BAYHTRK111A	7.47/9.96 kW Heater	WCK024 Only	10
BAYHTRK116A [Ⓛ]	11.18/14.94 kW Heater	WCK036-42B1	10

Ⓛ This model has a fuse box factory provided.

Table PH-11-C — Electric Heater Data

Unit Model	Electric Heater Model	Rated Voltage	Heater Kw 208/240	USING SINGLE SUPPLY CIRCUIT			HEATER ONLY SUPPLY CIRCUIT		
				WCK HEAT PUMP			MCA (7)	Max. Fuse or HQCR CKT BKR Size (4)	Canda Only Max. CKT BKR Size (5)
MCA (2)	Max. Fuse or HQCR CKT BKR Size (4)	Canda Only Max. CKT BKR Size (5)	MCA (7)	Max. Fuse or HQCR CKT BKR Size (4)	Canda Only Max. CKT BKR Size (5)				
WCK024B1 (6)	NONE**	208/240	NONE**	17/17(3)	25/25	25/25	NONE	NONE	NONE
	BAYHTRK105A	208/240	3.74/4.98	36/40(3)	40/40	40/40	23/26	25/30	25/30
	BAYHTRK111A	208/240	7.48/9.96	59/66(3)	60/70	60/70	45/53	45/60	50/60
WCK030B1 (6)	NONE**	208/240	NONE**	21/21(3)	30/30	30/30	NONE	NONE	NONE
	BAYHTRK105A	208/240	3.74/4.98	43/47(3)	50/50	50/50	23/26	25/30	25/30
	BAYHTRK110A	208/240	7.48/9.96	65/72(3)	70/80	70/100	45/53	45/60	50/60
WCK036B1 (6)	NONE**	208/240	NONE**	25/25(3)	40/40	40/40	NONE	NONE	NONE
	BAYHTRK105A	208/240	3.74/4.98	46/50(3)	50/50	50/50	23/26	25/30	25/30
	BAYHTRK110A	208/240	7.48/9.96	68/75(3)	70/80	70/100	45/53	45/60	50/60
WCK042B1 (6)	BAYHTRK116A	208/240	11.22/14.94	91/101(3)	100/110	100/110	58/78	70/80	70/100
	NONE**	208/240	NONE**	28/28(3)	45/45	45/45	NONE	NONE	NONE
	BAYHTRK105A	208/240	3.74/4.98	50/54(3)	60/60	60/60	23/26	25/30	25/30
WCK042B1 (6)	BAYHTRK110A	208/240	7.48/9.96	73/80(3)	80/80	100/100	45/53	45/60	50/60
	BAYHTRK116A	208/240	11.22/14.94	95/106(3)	100/110	100/110	68/78	70/80	70/100

** Unit electrical information with no electric heat installed.

- Any power supply and circuits must be wired and protected in accordance with local electrical codes.
- The MCA values listed are for electric heater and heat pump unit.
- Field wire must be rated at least 75°C.

4. The HACR circuit breaker is for U.S.A. installations only.

- For Canada installation reference only.
- BAYHTR111A only approved for WCK024A1.**
- The MCA values listed are for electric heater only.

For dimensional/outline drawings, please refer to Product Data.

For information on Roof Curbs, please refer to the Accessories/Information Tab.

Packaged Heat Pump 2-3½ Tons

Table PH-12-A — Accessories/Comfort Controls

Model No.	Description	Used With
BAY28X184②	Subbase Auto/Man. Changeover	BAY28X183
BAY28X185②	Subbase Man. Changeover	BAY28X182, 183
BAY28X187②	Subbase Auto Changeover	BAY28X182, 183
BAYASCT0011①	Anti-Short Cycle Timer	All WCK Models
BAYECMT002A	Extreme Conditions Mounting Kit (Curb Mount)	All WCK Models
BAYECMT003A	Extreme Conditions Mounting Kit (Slab or Rack Mount)	All WCK Models
BAYCOVR100A	Wallcover Plate	TAYSTAT371
BAYLOAM011A	Low Ambient Cooling Kit	All WCK Models
BAYSTAT033A	Outdoor Thermostat	All WCK Models
TAYASCT501A1①	5-7 Minute Delay Relay	All WCK Models
TAYSENS100A	Outdoor Temperature Sensor (with case)	TAYSTAT300
ACONT402A	3Heat/2Clg (Heat Pump/A/C)	All WCK Models
ACONT602A	2Heat/2Clg (Heat Pump/A/C)	All WCK Models
ACONT802A	3Heat/2Clg (Heat Pump/A/C)	All WCK Models
ACONT803A	3Heat/2Clg (Heat Pump/A/C) w/Humidity Control	All WCK Models

A/M = Automatic or Manual Changeover

① Not for use with electronic thermostats.

② Requires BAY24X042 relay when used with electric heaters.

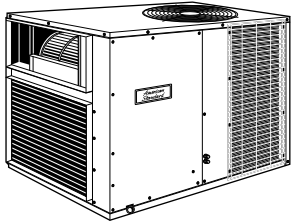
③ Specially designed for electric heater application (instant on fan).

* Information subject to change. Please confirm with current Product Data/Service Facts for current factory production.

For dimensional/outline drawings, please refer to Product Data.

**For information on Roof Curbs, please refer to the
Accessories/Information Tab.**

Packaged Heat Pump Over/Under 2-5 Tons



WCH

- Duration™ compressor
- Over (supply) under (return) air
- Compressor sump heat

- Compressor internal overload protection
- Solenoid operated switchover valve
- Demand defrost control system
- Multi-speed direct drive blower motor
- Variable speed direct drive blower motor on WCH042C, WCH048-060F models
- Weather resistant Powder Paint
- Copper tube, aluminum plate fin coils
- Top discharge condensing fan
- Indoor fan relay
- Factory installed wrap-around coil guard
- Top access to supplementary heater
- Expansion valves
- Pressure taps for refrigerant checks
- Polarized plug for easy field connection of low voltage to supplementary heaters
- WCH030C-060F contain high efficiency indoor blower motors
- Low ambient cooling to 45°F as manufactured
- Low ambient cooling to 0°F with accessory BAYLOAM011A
- UL listed evaporator defrost control
- **5-year limited warranty on compressor and 5-year on all other parts (Residential Use Only)**
- **Optional extended warranties**

Table PH-13-A — WCH – Over/Under Horizontal Unit

Unit Model No.	Power Supply Volts/Phase/Hz	SEER/EER	HSPF	Nom. Cap. Cooling (Btuh)	Dimensions (in.) H x D x W	Shipping Weight (lbs.)	MCA*	Max Fuse*	Sound Rating	Comp.
Single Phase										
WCH024C100A	208-230/1/60	13.00/11.88	7.7	25,000	30 ³ / ₈ x 31 ⁵ / ₈ x 44	329	16	25	73	R1
WCH030C100A	208-230/1/60	13.50/12.50	7.7	29,400	30 ³ / ₈ x 31 ⁵ / ₈ x 44	330	21	30	73	R2
WCH036C100B	208-230/1/60	13.50/12.00	7.7	36,000	30 ³ / ₈ x 31 ⁵ / ₈ x 44	338	23	35	73	R2
WCH042C100A	208-230/1/60	13.00/11.41	7.7	40,500	30 ³ / ₈ x 31 ⁵ / ₈ x 44	359	28	40	73	R2
WCH048F100A	208-230/1/60	13.50/12.00	8.0	49,000	33 ¹ / ₈ x 45 x 58	521	37	50	84	S
WCH060F100A	208-230/1/60	13.00/11.30	8.2	60,000	33 ¹ / ₈ x 45 x 58	529	47	60	84	S

Tons	Supply H x W	Return H x W
2 – 3 ¹ / ₂	8 ³ / ₈ x 27 ³ / ₈	16 ³ / ₄ x 27 ³ / ₈
4 – 5	8 ¹ / ₂ x 32 ¹ / ₃₂	19 ¹⁵ / ₁₆ x 32 ¹ / ₃₂

Dimensions are in inches. See Outline Dimensions.

* Information subject to change. Please confirm with current Product Data/Service Facts for current factory production.

Compressor Types are: R1 = Reciprocating One Cylinder, R2 = Reciprocating Two Cylinder, S = Scroll

For dimensional/outline drawings, please refer to Product Data.

**For information on Roof Curbs, please refer to the
Accessories/Information Tab.**

Packaged Heat Pump Over/Under 2-5 Tons

Table PH-14-A— Supplementary Heaters – Heater Matrix

Model No.	Power Supply	kW Ratings	Used With
BAYHTRC106A	208/240/1/60	4.33/5.76 kW	WCH024-042C100, 048F1, 060F1
BAYHTRC109A	208/240/1/60	6.12/8.16 kW	WCH036C1, 042C1
BAYHTRC110A	208/240/1/60	7.93/10.56 kW	WCH048F1 only
BAYHTRC111A	208/240/1/60	7.98/10.56 kW	WCH024-042C100, 060F1
BAYHTRC117A	208/240/1/60	12.98/17.28 kW	WCH030-042C100, 048F1, 060F1

Table PH-14-B — Accessories/Comfort Controls

Model No.	Description	Used With
ACONT402A	3 Heat/2 Cool (Heat Pump/AC)	All WCH Models
ACONT602A	2 Heat/2 Cool (Heat Pump/AC)	All WCH Models
ACONT802A	3 Heat/2 Cool (Heat Pump/AC)	All WCH Models
ACONT803A	3 Heat/2 Cool (Heat Pump/AC) w/Humidity Control	All WCH Models
ASYSTAT500C	Prog. Electronic Setback	All WCH Models
ASYSTAT540	5/2 Prog. 2Htg./1Clg.	All WCH Models
ASYSTAT570	Electronic, 2Htg./1Clg. (Non Prog.)	All WCH Models
ASYSTAT575	Electronic, 3Htg./2Clg. (Non Prog.)	All WCH Models
ASYSTAT650	Auto. Changeover	All WCH Models
ASYSTAT653A	Man. Changeover 3Htg./2Clg.	All WCH Models
ASYSTAT655A	Man. Changeover 2Htg./1 Clg.	All WCH Models
ASYSTAT705B	Programmable (Used with BAYBASE)	All WCH Models
BAY41X171A [Ⓢ]	5 or 7 Minute Delay Relay	All WCH Models
BAYASCT001 ^{ⓈⓈ}	Anti-Short Cycle Timer	All WCH Models
BAYBASE007A	3-Heat/2-Cool Heat Pump	ASYSTAT705A
BAYECMT002A	Extreme Conditions Mounting Kit (Curb Mount)	All WCH Models
BAYECMT003A	Extreme Conditions Mounting Kit (Slab or Rack Mount)	All WCH Models
BAYLOAM011A	Low Ambient Cooling Kit	All WCH Models
TAYASCT501A [Ⓢ]	5 Minute Delay Relay	All WCH Models
TAYSENS200A	Outdoor Temp. Sensor (without case)	ASYSTAT500C,575

[Ⓢ] Not for use with programmable thermostats.

^{ⓈⓈ} Activated on Power Off.

For dimensional/outline drawings, please refer to Product Data.

**For information on Roof Curbs, please refer to the
Accessories/Information Tab.**

Packaged Heat Pump Convertible 3-10 Tons



Featuring A New Look for a New Century

Beveled Top
Smoother Design
Small compact cabinet
Recessed access handles

Standard Features:

- American Standard Heating & Air Conditioning built scroll compressors on all 4-10 ton units. 3 ton unit has a Reciprocating Compressor
- ReliaTel™ Controls (**See page PC-19 for ReliaTel™ Control Information**)
- Colored and numbered wiring
- Provisions for through the Base Condensate Drain Connections
- Patented Hybrid Condenser Coil for easy cleaning
- 1" throwaway filters provided on 3-5 ton units
- 2" throwaway filters provided on 6-10 ton units
- Liquid Line Refrigerant Drier
- Operating Charge of R-22 or R-410A
- IAQ Sloped Drain Pans
- Single point power for electric Heat
- Low Ambient cooling to 0°F
- 5 - year Limited Compressor Warranty
- 1 - year Limited Parts Warranty

Added Flexibility

- Convertible airflow
- Fork lift openings on three sides of unit
- Direct or belt drive - standard or oversized motors (Direct for 3-5 ton only)
- We don't prepackage options
- Choose options tailored to suit each job —pay only for what is needed
- Units ship with options installed —and within our standard ship cycle time

Factory Installed Options

- Through-the-Base — Electrical
- Convenience Outlet — Powered or unpowered
- Unit Disconnect Switch
- Smoke Detectors — Supply, return, or both
- Condenser Coil Coating
- Hinged Access Service Panels
- Discharge Air Sensor
- Fan Fail and Clogged Filter Switches
- Condenser Coil Guard — Hail Protection Quality
- Froststat
- 2" Pleated Media filters
- Phase Monitor

***The same American Standard Heating & Air Conditioning
Quality and Reliability ... with added Flexibility!***

Packaged Heat Pump Convertible 3-10 Tons

Table PH-16-A — Base Unit — Standard Efficiency — ReliaTel™ Microprocessor Controls

Tons	Unit Ordering No.③	Performance② SEER/EER	Cooling Capacity (Btuh)	Cabinet Dimensions (in.) H x D x W	Downflow Supply	Downflow Return	Shipping Weight (lbs.)	MCA*	Max① Fuse*
WSC – 208-230/1/60 – Single Phase – No Heat									
3	WSC036E1R0A0000	13.0	37,650	36 x 43 x 69	18 x 15.5	24 x 14	589	31.2	45
4	WSC048E1R0A0000	13.0	49,040	36 x 43 x 69	18 x 15.5	24 x 14	600	38.9	60
5	WSC060E1R0A0000	13.0	58,360	41 x 53 x 89	33 x 17.5	32.13 x 17.5	825	44.6	70
WSC – 208-230/3/60 – Three Phase – No Heat									
3	WSC036A3R0A0000	10.2	38,100	32 x 43 x 69	18 x 15.5	24 x 14	534	19.1	30
4	WSC048A3R0A0000	10.5	50,800	32 x 43 x 69	18 x 15.5	24 x 14	566	24.4	35
5	WSC060A3R0A0000	10.1	63,100	36 x 43 x 69	18 x 15.5	24 x 14	584	32.6	50
3	WSC036E3R0A0000	13.0	38,030	36 x 43 x 69	18 x 15.5	24 x 14	589	23.8	35
4	WSC048E3R0A0000	13.0	50,130	36 x 43 x 69	18 x 15.5	24 x 14	600	27.5	40
5	WSC060E3R0A0000	13.0	63,440	41 x 53 x 89	33 x 17.5	32.13 x 17.5	825	30.2	45
6	WSC072A3R0A0000	10.1	74,000	41 x 53 x 89	33 x 17.5	32.13 x 17.5	915	32.2	50
7½	WSC090A3R0A0000	10.1	93,000	41 x 53 x 89	33 x 17.5	32.13 x 17.5	937	41.4	60
10	WSC120A3R0A0000	10.1	121,000	46 x 53 x 89	33 x 17.5	32.13 x 17.5	1084	50.4	60
WSC – 460/3/60 – Three Phase – No Heat									
3	WSC036A4R0A0000	10.2	38,100	32 x 43 x 69	18 x 15.5	24 x 14	534	9.9	15
4	WSC048A4R0A0000	10.5	50,800	32 x 43 x 69	18 x 15.5	24 x 14	566	12.1	15
5	WSC060A4R0A0000	10.1	63,100	36 x 43 x 69	18 x 15.5	24 x 14	584	16.6	25
3	WSC036E4R0A0000	13.0	38,030	36 x 43 x 69	18 x 15.5	24 x 14	589	11.4	15
4	WSC048E4R0A0000	13.0	50,130	36 x 43 x 69	18 x 15.5	24 x 14	600	12.3	15
5	WSC060E4R0A0000	13.0	63,440	41 x 53 x 89	33 x 17.5	32.13 x 17.5	825	14.7	20
6	WSC072A4R0A0000	10.1	74,000	41 x 53 x 89	33 x 17.5	32.13 x 17.5	915	16.6	25
7½	WSC090A4R0A0000	10.1	93,000	41 x 53 x 89	33 x 17.5	32.13 x 17.5	937	21.9	35
10	WSC120A4R0A0000	10.1	121,000	46 x 53 x 89	33 x 17.5	32.13 x 17.5	1084	26.4	35
WSC – 575/3/60 – Three Phase – No Heat									
3	WSC036AWR0A0000	10.2	38,100	32 x 43 x 69	18 x 15.5	24 x 14	534	8.3	15
4	WSC048AWR0A0000	10.5	50,800	32 x 43 x 69	18 x 15.5	24 x 14	566	10.1	15
5	WSC060AWR0A0000	10.1	63,100	36 x 43 x 69	18 x 15.5	24 x 14	584	13.1	20
3	WSC036EWR0A0000	13.0	38,030	36 x 43 x 69	18 x 15.5	24 x 14	589	8.8	15
4	WSC048EWR0A0000	13.0	50,130	36 x 43 x 69	18 x 15.5	24 x 14	600	9.5	15
5	WSC060EWR0A0000	13.0	63,440	41 x 53 x 89	33 x 17.5	32.13 x 17.5	825	11.0	15
6	WSC072AWR0A0000	10.1	74,000	41 x 53 x 89	33 x 17.5	32.13 x 17.5	915	12.5	15
7½	WSC090AWR0A0000	10.1	93,000	41 x 53 x 89	33 x 17.5	32.13 x 17.5	937	16.8	25
10	WSC120AWR0A0000	10.1	121,000	46 x 53 x 89	33 x 17.5	32.13 x 17.5	1084	21.0	25

* Information subject to change. Please confirm with current Product Data/Service Facts for current factory production.

① HCAR breaker per NEC.

② SEER applies, 3-5 tons; EER applies 6-10 tons.

③ Digit 7 - A=R-22, E=410A.

Packaged Heat Pump Convertible 3-10 Tons (Model Digit Numbers)

Digit	Description	Order Number	Digit	Description	Order Number
1-8	Main Assembly (see previous page)		18	Through the Base Provisions	
9	Unit Controls			No Through the Base Provisions	0
	ReliaTel™ Micro-processor	R		Through the Base ElectricⓈ	A
10	(See Heater Table below)		19	Disconnect/Circuit Breaker/Phase Monitor (3 phase only)	
11	Minor Design Sequence			No Disconnect /Circuit Breaker/No Phase Monitor	0
	First Sequence	A		Unit Mounted Non-Fused DisconnectⓈ	1
12-13	Service Sequence			Unit Mounted Circuit BreakerⓈ	2
	First Sequence (Factory Assigned)	* * *		Phase MonitorⓈ	3
14	Fresh Air Selection			Phase MonitorⓈ & Non-Fused Disconnect Switch	4
	No Fresh Air	0		Phase MonitorⓈ & Circuit Breaker	5
	0-50% Manual Outside Air DamperⓈ	A	20	Convenience Outlet	
	0-50% Motorized Outside Air Damper	B		No Convenience Outlet	0
	0-100% Economizer, Dry Bulb without Barometric Relief Ⓢ	C		Unpowered Convenience Outlet	A
	0-100% Economizer, Dry Bulb with Barometric ReliefⓈ	D		Powered Convenience Outlet (3 phase only)Ⓢ	B
	0-100% Economizer, Reference Enthalpy without Barometric ReliefⓈ	E	21	Communications Options	
	0-100% Economizer, Reference Enthalpy with Barometric ReliefⓈ	F		No Communications Interface	0
	0-100% Economizer, Comparative Enthalpy without Barometric Relief Ⓢ	G		Comm 3/4 Communications Interface	1
	0-100% Economizer, Comparative Enthalpy with Barometric Relief Ⓢ	H	22	Refrigeration System Option	
15	Supply Fan/Drive Type/Motor			Standard Refrigeration System	0
	Standard Drive	0	23	Refrigeration Controls	
	Oversized Motor	1		No Refrigeration Control	0
	Optional Belt Drive Motor (3 phase only)	2		FroststatⓈ	2
16	Hinged Service Access & Filters			Crankcase Heater	3
	Standard Panels & Filters	0		FroststatⓈ and Crankcase HeaterⓈ	6
	Hinged Access Panels & Standard Filters	A	24	Smoke DetectorⓈⓈ	
	Standard Panels & 2" Pleated Filters	B		No Smoke Detector	0
	Hinged Access Panels & 2" Pleated Filters	C		Return Air Smoke Detector	A
17	Condenser Coil Protection			Supply Air Smoke Detector	B
	Standard Coil	0		Supply and Return Air Smoke Detectors	C
	Standard Coil with Hail Guard	1	25	Monitoring Controls	
	Black Epoxy Pre-Coated Condenser Coil	2		No Monitoring Control	0
	Black Epoxy Coated Pre-Condenser Coil with Hail Guard	3		Clogged Filter Switch	1
	Complete Coat™ Condenser Coil			Fan Failure Switch	2
	Complete Coat™ Condenser Coil with Hail Guard			Discharge Air Sensing Tube	3
				Clogged Filter Switch and Fan Fail Switch	4
				Clogged Filter Switch and Discharge Air Sensing Tube	5
				Fan Fail Switch and Discharge Air Sensing Tube	6
				Clogged Filter and Fan Fail Switches and Discharge Air Sensing Tube	7

Ⓢ Economizer with Barometric Relief is for downflow configured units only. Order Economizer without Barometric Relief for horizontal configuration. Barometric relief for horizontal configured units must be ordered as field installed accessory BAYBARM010A.
 Ⓢ Requires use of Disconnect or Circuit Breaker.
 Ⓢ Standard refrigeration metering device - short orifice.
 Ⓢ Froststat cannot be field installed in electro-mechanical units.
 Ⓢ High Pressure control is standard on 3 phase units with scroll compressor and WSC036A.
 Ⓢ Not available with BAYFRST001A High Temperature Stat accessory.
 Ⓢ The return air smoke detector may not fit up or work properly on the Convertible units when used in

conjunction with 3rd party accessories such as bolt on heat wheels, economizers and power exhaust. Do not order the return air smoke detectors when using this type of accessory.
 Ⓢ Through the base electric required when ordering disconnect/circuit breaker options.
 Ⓢ The manual outside air damper will ship factory supplied within the unit, but must be field installed.
 Ⓢ Phase Monitor is standard on T/Y/WSC060A3,4,W models. All other models Phase Monitor will be an option.

Heaters (Digit 10)

kW Rating	Digit	Nominal BTUH	No. Stages	Used With	kW Rating	Digit	Nominal BTUH	No. Stages	Used With
208/240/1/60					460/3/60				
3.8/5.0	(A)	12,800/17,100	1	WSC036-060A1, E1	6.0	(B)	20,500	1	WSC036-060A4, E4
7.5/10.0	(D)	25,600/34,100	2	WSC036-060A1, E1	12.0	(E)	41,000	2	WSC036-060A4, E4
10.4/13.8	(F)	35,300/47,100	2	WSC036-060A1, E1	17.4	(G)	59,400	2	WSC036-060A4, E4
13.2/17.6	(G)	45,100/60,100	2	WSC048-060A1, E1	23.0	(J)	78,500	2	WSC060A4, E4
208/240/3/60					9.0	(C)	30,700	1	W*C072-090A4
4.5/6.0	(B)	13,400/20,500	1	WSC036-060A3, E3	18.0	(G)	61,400	1	W*C072-120A4
9.0/12.0	(E)	30,800/59,400	2	WSC036-060A3, E3	27.0	(K)	92,100	2	W*C072-120A4
13.1/17.4	(G)	44,600/59,400	2	WSC036-060A3, E3	36.0	(N)	122,900	2	W*C072-120A4
17.3/23.0	(J)	58,900/78,500	2	WSC060A3, E3	54.0	(P)	184,300	2	W*C120A4
6.75/9.0	(C)	23,000/30,700	1	W*C072-090A3	575/3/60				
13.5/18.0	(G)	46,100/61,400	1	W*C072-120A3	6.0	(B)	20,500	1	WSC036-060AW, EW
20.3/27.0	(K)	69,000/92,100	2	W*C072-120A3	12.0	(E)	41,000	2	WSC036-060AW, EW
27.0/36.0	(N)	92,200/122,900	2	W*C072-120A3	17.4	(G)	59,400	2	WSC036-060AW, EW
40.5/54.0	(P)	138,200/184,300	2	W*C120A3	23.0	(J)	78,500	2	WSC060AW, EW
					9.0	(C)	30,700	1	W*C072-090AW
					18.0	(G)	61,400	1	W*C072-120AW
					27.0	(K)	92,100	2	W*C072-120AW
					36.0	(N)	122,900	2	W*C072-120AW
					54.0	(P)	184,300	2	W*C120AW

Packaged Heat Pump Convertible 3-10 Tons, R-22

Table PH-18-A — Accessory Electric Heaters – Unit with heater is single circuit / single point power entry

Model Number	Power Supply	kW Rating	Nominal BTUH	No. Stages	Used With
BAYHTRR306A	208-230/3/60	4.5/6.0	13,400/20,500	1	WSC036-060A3
BAYHTRR312A	208-230/3/60	9.0/12.0	30,800/41,000	2	WSC036-060A3
BAYHTRR318A	208-230/3/60	13.1/17.4	44,600/59,400	2	WSC036-060A3
BAYHTRR323A	208-230/3/60	17.3/23.0	58,900/78,500	2	WSC060A3
BAYHTRS309A	208-230/3/60	6.75/9.0	23,000/30,700	1	WSC072-090A3
BAYHTRS318A	208-230/3/60	13.5/18.0	46,100/61,400	1	WSC072-090A3
BAYHTRS327A	208-230/3/60	20.3/27.0	69,000/92,100	2	WSC072-090A3
BAYHTRS336A	208-230/3/60	27.0/36.0	92,200/122,900	2	WSC072-090A3
BAYHTRT318A	208-230/3/60	13.5/18.0	46,100/61,400	1	WSC120A3
BAYHTRT327A	208-230/3/60	20.3/27.0	69,000/92,100	2	WSC120A3
BAYHTRT336A	208-230/3/60	27.0/36.0	92,200/122,900	2	WSC120A3
BAYHTRT354A	208-230/3/60	40.5/54.0	138,200/184,300	2	WSC120A3
BAYHTRR406A	460/3/60	6.0	20,500	1	WSC036-060A4
BAYHTRR412A	460/3/60	12.0	41,000	2	WSC036-060A4
BAYHTRR418A	460/3/60	17.4	59,400	2	WSC036-060A4
BAYHTRR423A	460/3/60	23.0	78,500	2	WSC060A4
BAYHTRS409A	460/3/60	9.0	30,700	1	WSC072-090A4
BAYHTRS418A	460/3/60	18.0	61,400	1	WSC072-090A4
BAYHTRS427A	460/3/60	27.0	92,100	2	WSC072-090A4
BAYHTRS436A	460/3/60	36.0	122,900	2	WSC072-090A4
BAYHTRT418A	460/3/60	18.0	61,400	1	WSC120A4
BAYHTRT427A	460/3/60	27.0	92,100	2	WSC120A4
BAYHTRT436A	460/3/60	36.0	122,900	2	WSC120A4
BAYHTRT454A	460/3/60	54.0	184,300	2	WSC120A4
BAYHTRRW06A	575/3/60	6.0	20,500	1	WSC036-060AW
BAYHTRRW12A	575/3/60	12.0	41,000	2	WSC036-060AW
BAYHTRRW18A	575/3/60	17.4	59,400	2	WSC036-060AW
BAYHTRRW23A	575/3/60	23.0	78,500	2	WSC060AW
BAYHTRSW09A	575/3/60	9.0	30,700	1	WSC072-090AW
BAYHTRSW18A	575/3/60	18.0	61,400	1	WSC072-090AW
BAYHTRTW18A	575/3/60	18.0	61,400	1	WSC120AW
BAYHTRSW27A	575/3/60	27.0	92,100	2	WSC072-090AW
BAYHTRTW27A	575/3/60	27.0	92,100	2	WSC120AW
BAYHTRSW36A	575/3/60	36.0	122,900	2	WSC072-090AW
BAYHTRTW36A	575/3/60	36.0	122,900	2	WSC120AW
BAYHTRTW54A	575/3/60	54.0	184,300	2	WSC120AW

Table PH-18-B — Zone Sensors for ReliaTel™ Controlled Units

Model Number	Description	Used With
BAYMTPL003B	Retrofit Wall Cover Plate Kit 7.25" x 6.0"	ASYSTAT666C
BAYMTPL004A	Retrofit Wall Cover Plate Kit 4.75" x 4.75"	ASYSTAT107A,109A,111A
ASYSTAT107A	Single Setpoint Manual Changeover	WSC036-060A-120A
ASYSTAT109A	Dual Setpoint Manual or Auto Changeover	WSC036-060A-120A
ASYSTAT111A	Remote Room Sensor 010B, & 019C	BAYSENS007B,009B,011B,019C
ASYSTAT666C	Programmable Night Setback w/System Function Lights	WSC036-060A-120A
ASYSTAT707A ^①	Digital Display Zone Sensor	WSC036-060A-120A
ASYSTAT708A ^①	Dual Thermistor Remote Zone Sensor	WSC036-060A-120A

① Functional only with ReliaTel™ controls.

Packaged Heat Pump Convertible 3-10 Tons, R-410A

Table PH-19-A — Accessory Electric Heaters – Unit with heater is single circuit / single point power entry

Model Number	Power Supply	kW Rating	Nominal BTUH	No. Stages	Used With
BAYHTRE105A	208-230/1/60	3.8/5.0	12,900/13,400	1	WSC036-048E1
BAYHTRE110A	208-230/1/60	7.5/10.0	25,600/34,000	2	WSC036-048E1
BAYHTRE114A	208-230/1/60	10.4/13.8	35,000/47,100	2	WSC036-048E1
BAYHTRE118A	208-230/1/60	13.2/17.6	45,100/60,100	2	WSC048E1
BAYHTRE306A	208-230/3/60	4.5/6.0	13,400/20,500	1	WSC036-048E3
BAYHTRE312A	208-230/3/60	9.0/12.0	30,800/41,000	2	WSC036-048E3
BAYHTRE318A	208-230/3/60	13.0/17.4	44,600/59,400	2	WSC036-048E3
BAYHTRE406A	460/3/60	6.0	20,500	1	WSC036-048E4
BAYHTRE412A	460/3/60	12.0	41,000	2	WSC036-048E4
BAYHTRE418A	460/3/60	17.4	59,400	2	WSC036-048E4
BAYHTREW06A	575/3/60	6.0	20,500	1	WSC036-048EW
BAYHTREW12A	575/3/60	12.0	41,000	2	WSC036-048EW
BAYHTREW18A	575/3/60	17.4	59,400	2	WSC036-048EW

Table PH-19-B — Accessory Electric Heaters – Unit with heater is single circuit / single point power entry (5 Ton Only)

Model Number	Power Supply	kW Rating	Nominal BTUH	No. Stages	Used With
BAYHTRX105A	208-230/1/60	5.0	13,400	1	WSC060E1
BAYHTRX110A	208-230/1/60	9.0	30,800	2	WSC060E1
BAYHTRX114A	208-230/1/60	13.0	44,600	2	WSC060E1
BAYHTRX118A	208-230/1/60	18.0	59,400	2	WSC060E1
BAYHTRX306A	208-230/1/60	6.0	20,500	1	WSC060E3
BAYHTRX312A	208-230/3/60	12.0	41,000	2	WSC060E3
BAYHTRX318A	208-230/3/60	18.0	59,400	2	WSC060E3
BAYHTRX323A	208-230/3/60	23.0	78,500	2	WSC060E3
BAYHTRX406A	460/3/60	6.0	20,500	1	WSC060E4
BAYHTRX412A	460/3/60	12.0	41,000	2	WSC060E4
BAYHTRX418A	460/3/60	18.0	59,400	2	WSC060E4
BAYHTRX423A	460/3/60	23.0	78,500	2	WSC060E4
BAYHTRXW06A	575/3/60	6.0	20,500	1	WSC060EW
BAYHTRXW12A	575/3/60	12.0	41,000	2	WSC060EW
BAYHTRXW18A	575/3/60	18.0	59,400	2	WSC060EW
BAYHTRXW23A	575/3/60	23.0	78,500	2	WSC060EW

Table PH-19-C — Zone Sensors for ReliaTel™ Controlled Units

Model Number	Description	Used With
BAYMTPL003B	Retrofit Wall Cover Plate Kit 7.25" x 6.0"	ASYSTAT666C
BAYMTPL004A	Retrofit Wall Cover Plate Kit 4.75" x 4.75"	ASYSTAT107A,109A,111A
ASYSTAT107A	Single Setpoint Manual Changeover	WSC036-060E
ASYSTAT109A	Dual Setpoint Manual or Auto Changeover	WSC036-060E
ASYSTAT111A	Remote Room Sensor 010B, & 019C	BAYSENS007B,009B,011B,019C
ASYSTAT666C	Programmable Night Setback w/System Function Lights	WSC036-060E
ASYSTAT707A ^①	Digital Display Zone Sensor	WSC036-060E
ASYSTAT708A ^①	Dual Thermistor Remote Zone Sensor	WSC036-060E

^① Functional only with ReliaTel™ controls.

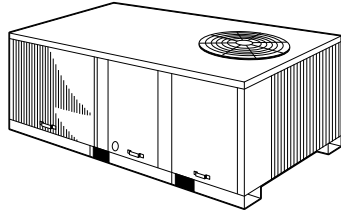
Packaged Heat Pump Convertible 3-10 Tons

Table PH-20-A — Accessories

Model Number	Description	Used With [Ⓢ]
BAYABRD001C	ReliaTel™ Options Module	See Note [Ⓢ]
BAYBARM010A ^③	Barometric Relief	WSC036-060A,WSC036.048E
BAYBARM011A ^③	Barometric Relief	WSC072-120A,WSC060E
BAYCCHT010B	Crankcase Heater	WSC048,060,072,120A3, WSC036-060E1,E3
BAYCCHT011B	Crankcase Heater	WSC048,060,072,120A4,AW, WSC036-060E4,EW
ASYSTAT712A ^②	CO ₂ Sensor Kit, Wall Mounted	WSC036-060(A or E), WSC072-120A w/Economizer
ASYSTAT714A ^②	CO ₂ Sensor Kit, Duct Mounted	WSC036-060(A or E), WSC072-120A w/Economizer
BAYCURB042A ^④	Roof Curb	WSC036-060A,WSC036-048E
BAYCURB043A ^④	Roof Curb	WSC072-120A,WSC060E
BAYDFPS003B ^⑥	Clogged Filter Switch	WSC036-060(A or E)-120A
BAYDFPS004A ^⑥	Fan Failure Switch	WSC036-060(A or E)-120A
BAYDMPR051A	0-50% Motorized Outside Air Damper	WSC036-060(A or E)
BAYDMPR053B ^⑥	0-50% Manual Outside Air Damper	WSC036-060(A or E)
BAYDMPR054A	0-50% Motorized Outside Air Damper	WSC072-120A,WSC060E
BAYDMPR056B ^⑥	0-50% Manual Outside Air Damper	WSC072-120A,WSC060E
BAYECON085A	0-100% Economizer without Barometric Relief	WSC036-060(A or E)
BAYECON087A	0-100% Economizer without Barometric Relief	WSC072-120A,WSC060E
BAYENTH005A ^①	Reference Enthalpy Kit	BAYECON085A,087A
BAYENTH006B ^①	Comparative Enthalpy Kit	BAYECON085A,087A
BAYFRST001A ^⑦	High Temperature Stat	WSC036-060(A or E), WSC072-120A
BAYGARD036B	Condenser Coil Hail Guard	WSC036-060(A or E)
BAYGARD040A	Condenser Coil Hail Guard	WSC072-090A,WSC060E
BAYGARD041B	Condenser Coil Hail Guard	WSC120A
BAYHSDR012A	High Static Drive Kit	WSC072A
BAYHSMT073A	.45 HP Direct Drive Oversized Motor Kit	WSC036A3
BAYHSMT074A	.45 HP Direct Drive Oversized Motor Kit	WSC036A4
BAYHSMT075A	.45 HP Direct Drive Oversized Motor Kit	WSC036AW
BAYHSMT076A	.75 HP Direct Drive Oversized Motor Kit	WSC048A3
BAYHSMT077A	.75 HP Direct Drive Oversized Motor Kit	WSC048A4
BAYHSMT078A	.75 HP Direct Drive Oversized Motor Kit	WSC048AW
BAYHSMT079A	1.2 HP Direct Drive Oversized Motor Kit	WSC060A3
BAYHSMT080A	1.2 HP Direct Drive Oversized Motor Kit	WSC060A4
BAYHSMT081A	1.2 HP Direct Drive Oversized Motor Kit	WSC060AW
BAYHSMT082A	2 HP Belt Drive Oversized Motor	WSC072A3, A4
BAYHSMT083A	2 HP Belt Drive Oversized Motor	WSC072AW
BAYHSMT086A	3 HP Belt Drive Oversized Motor	WSC090A3, A4
BAYHSMT087A	3 HP Belt Drive Oversized Motor	WSC090AW
BAYHSMT090A	5 HP Belt Drive Oversized Motor	WSC120A3, A4
BAYHSMT091A	5 HP Belt Drive Oversized Motor	WSC120AW
BAYICSI003A ^⑧	Comm 3/4 Communications Interface	WSC036-060(A or E), WSC072-120A
BAYKSKT255A	Quick Start Kit	WSC048,060(A or E)
BAYKSKT256A	Quick Start Kit	WSC036(A or E)
BAYLOAM020B ^⑥	Evaporator Defrost Control (Frostat)	WSC036-060(A or E), WSC072-120A
BAYPWRX026A ^⑨	Power Exhaust	WSC072-120A3
BAYPWRX027A ^⑨	Power Exhaust	WSC072-120A4
BAYPWRX028A ^⑨	Power Exhaust	WSC072-120AW
BAYQACB009A ^{④⑤}	Quick Adapt Roof Curb	WSC036-060(A or E)
BAYQACB010A ^{④⑤}	Quick Adapt Roof Curb	WSC036-060(A or E)
BAYQACB011A ^{④⑩}	Quick Adapt Roof Curb	WSC036-060(A or E), WSC072-120A
BAYQACB012A ^{④⑩}	Quick Adapt Roof Curb	WSC036-060(A or E), WSC072-120A
BAYSENS016A	Temperature Sensor	WSC036-060(A or E)
BAYSERV001A	Selective Resistance Service Tester	WSC036-060(A or E), WSC072-120A
BAYSTAT023	Remote Potentiometer	BAYECON085A,087A
BAYTUBE005A ^{②⑥}	Discharge Air Sensing Kit	WSC036-060(A or E)
BAYTUBE007A	Discharge Air Sensing Kit	WSC072-120A,WSC060E
BAYVNOR001B ^{②⑥}	Ventilation Override Kit w/ReliaTel™ options module	WSC036-060(A or E), WSC072-120A

- ① Kits contain all necessary parts to achieve desired level of enthalpy control.
- ② Used for true discharge air sensing in both heating and cooling. Required for supply air tempering.
- ③ Barometric Relief accessory installs in ductwork for horizontal configuration. For downflow configuration, installs in the unit's horizontal return duct. See Installer's Guide for complete instructions.
- ④ Lynn Haven manufacturing has a no return policy for this roof curb.
- ⑤ BAYQACB009A adapts BAYCURB021A roof curb to accept Convertible 3-5 ton unit. BAYQACB010A adapts BAYCURB022A roof curb to accept Convertible 3-5 ton unit.
- ⑥ BAYLOAM020B is required when ordering field installed accessories Clogged Filter Switch (BAYDFPS003A), Fan Fail Switch (BAYDFPS004A), Discharge Air Sensing Kit (BAYTUBE004A or BAYTUBE005A) or Evaporator Defrost Control (Frostat) (BAYLOAM020B) Ventilation Override Kit (BAYVNOR001B) unless the following options are factory installed: Frostat, Smoke Detector, Clogged Filter Switch, Fan Failure Switch, Discharge Air Sensing Kit. These factory installed options include the ReliaTel™ Options Module.
- ⑦ Cannot be used in conjunction with factory installed smoke detector.
- ⑧ Interface allows unit to communicate with Tracer 100, Tracker, VariTrac II, and is the preferred method of communication to Tracer Summit.
- ⑨ Power Exhaust cannot be used with Barometric Relief. Order Economizer without Barometric Relief.
- ⑩ Interface allows unit to communicate as a Trane LonTalk device or directly with generic LonTalk Network BAS Controls.
- ⑪ BAYQACB012A adapts BAYCURB025 roof curb to accept Convertible 6-10 ton unit. BAYQACB011A adapts BAYCURB022B roof curb to accept Convertible 6-10 ton unit.
- ⑫ Field installed accessory. Requires an economizer.
- ⑬ The manual outside air damper will ship factory supplied within the unit, but must be field installed.
- ⑭ A=R-22, E=410A.

Packaged Heat Pump with ReliaTel™ Controls 12½-20 Tons



12½ – 20 Ton WCD—Downflow
12½ – 20 Ton WCH—Horizontal

- EER up to 10.0
- ReliaTel™ processor control features are listed on page PC-19
- Built-in anti-short cycle, time-delay relay and minimum on time controls
- 2" filters for 12½ - 20 ton units
- Liquid line drier
- Built-in fork lift holes
- Operating charge of R-22
- Quick-Access service panels slide in and out
- Scroll compressors
- Dedicated horizontal and downflow designs
- Single-side access
- Single point power for electric heat
- Complete line of optional electric heaters
- Internally enhanced coil tubing
- Low ambient to 0°F standard
- Colored and numbered wiring
- Common cabinet and accessories as TCD/TCH and YCD/YCH models
- Quick-adjust idler arm pulley
- **5-year limited compressor warranty (12½ – 15 tons)**
- **1-year limited parts warranty**
- **1-year limited compressor warranty (20 tons)**

Table PH-21-A — WCD Downflow — WCH Horizontal — ReliaTel™ Unit

Tons	Unit Model No.	Power Supply Volts/Phase/Hz	Performance EER (10)	Cooling Capacity (Btuh)	Dimensions (in.) H x W x L	Shipping Weight (lbs.)	MCA ^⑤	Max Fuse Size or ^④ Max Circuit Breaker	Downflow Roofcurb
12½	WC*150B300G	208-230/3/60	9.50	152,000	50⅞ x 71⅝ x 107⅝	1719	66	80	BAYCURB026B
15	WC*180B300H	208-230/3/60	9.60	180,000	50⅞ x 71⅝ x 107⅝	1857	76	90	BAYCURB026B
20	WC*240B300G	208-230/3/60	10.0	244,000	54 x 85⅝ x 122⅝	2467	96	125	BAYCURB027B
12½	WC*150B400G	460/3/60	9.50	152,000	50⅞ x 71⅝ x 107⅝	1719	31	40	BAYCURB026B
15	WC*180B400H	460/3/60	9.60	180,000	50⅞ x 71⅝ x 107⅝	1857	39	45	BAYCURB026B
20	WC*240B400G	460/3/60	10.0	244,000	54 x 85⅝ x 122⅝	2467	49	60	BAYCURB027B
12½	WC*150BW00G	575/3/60	9.50	152,000	50⅞ x 71⅝ x 107⅝	1719	25	30	BAYCURB026B
15	WC*180BW00H	575/3/60	9.60	180,000	50⅞ x 71⅝ x 107⅝	1857	31	35	BAYCURB026B
20	WC*240BW00G	575/3/60	10.0	244,000	54 x 85⅝ x 122⅝	2467	38	45	BAYCURB027B

Tons	Supply Downflow W x L ^{①②}	Return Downflow W x L ^{①②}	Supply Horizontal H x W ^{①②}	Return Horizontal H x W ^{①②}	Curb Size H x W x L ^{③④}	Roof Opening W x L ^{①②}
12½ – 15	28⅞ x 55½	20⅞ x 63	42½ x 26½	42½ x 24⅞	14⅞ x 66⅝ x 102¼	62½ x 73½
20	28⅞ x 69½	22¼ x 77	46⅞ x 26½	46⅞ x 27⅞	14⅞ x 80⅝ x 117⅞	76½ x 81

① Dimensions are in inches. See Outline Dimensions.

② Interior Dimension.

③ Measurement Includes Curb Flange.

④ HACR type circuit breaker per NEC.

⑤ Information subject to change. Please confirm with current Product Data/Service Facts for current factory production.

* Digit 3 - H = Horizontal or D = Downflow.

Packaged Heat Pump with ReliaTel™ Controls 12½-20 Tons

Table PH-22-A — Factory Installed Accessories^{①②}

For Complete list of all Factory Installed Options, please refer to the FIOPS section of this book.

Digit	Description	Order Number	Used With
1-8	Main Assembly (see previous page)		
9-10	Factory Installed Options		
	No Options	00	WC*150-240
	Downflow Economizer ^③	0A	WCD150-240
	Oversized Motor	0B	WC*150-240
	Downflow Economizer and Oversized Motor ^③	0C	WCD150-240
	Comm 3/4 Communications Interface (TCI) ^④	0F	WC*150-240
	Downflow Economizer TCI ^{③④}	0G	WCD150-240
11-12	Minor Design and Service Sequence		**

① Price includes accessory and factory installation.

② Four (4) week shipping approximately.

③ Some field set up required.

④ TCI is for use with non-VariTrac systems and VariTrac systems.

Table PH-22-B— Zone Sensors

Model Number	Description	Used With
ASYSTAT107A	Single Setpoint Manual Changeover	WC*150-240B
ASYSTAT109A	Dual Setpoint Manual or Auto Changeover	WC*150-240B
ASYSTAT666C	Programmable Night Setback	WC*150-240B
ASYSTAT111A	Remote Room Sensor	ASYSTAT666C
ASYSTAT708A	Dual Thermistor Remote Zone Sensor (Averaging only)	WC*150-240
ASYSTAT707A	Digital Display Zone Sensor	WC*150-240
ASYSTAT090A	2Htg/2Clg Digital Display Programmable Thermostat	WC*150-240
ASYSTAT092A	1Htg/1Clg w/Digital "TOUCHSCREEN"	WC*150-240
ASYSTAT093A	3Htg/3Clg Digital Display Programmable Thermostat w/relative Humidity Sensing Built-In (w/Dehumidification Option)	WC*150-240
ASYSTAT095A	3Htg/2Clg Digital Display Thermostat	WC*150-240
ASYSTAT800A	Wall Mounted Remote Sensor	ASYSTAT090A,092A,093A
BAYMTPL003B	Retrofit Wall Cover Plate Kit 7.25" x 6.0"	ASYSTAT666C
BAYMTPL004A	Retrofit Wall Cover Plate Kit 4.75" x 4.75"	ASYSTAT107A,109A,111A

Table PH-23-A — Field Installed Accessories — For complete list of All Factory Installed Options refer to FIOPS section of this book.

Model Number	Description	Used With
BAYABRD002B ^①	ReliaTel™ Options Module	WCH/D150-240
ASYSTAT713A ^②	CO ² Sensor Wall Mounted	WC*150-240 w/Economizer
ASYSTAT715A ^②	CO ² Sensor Duct Mounted	WC*150-240 w/Economizer
BAYCURB026B ^{③④}	Downflow Only Roof Curb	WCD150B, 180B
BAYCURB027B ^{③④}	Downflow Only Roof Curb	WCD240B
BAYECON089A ^⑤	Downflow Economizer with Barometric Relief	WCD150B, 180B
BAYECON090A ^⑤	Downflow Economizer with Barometric Relief	WCD240B
BAYECON091A	Horizontal Economizer	WCH150B, 180B
BAYECON092A	Horizontal Economizer	WCH240B
BAYFRST003A	High Temperature Stat	WC*150-240 w/ICS
BAYENTH007A	Reference Enthalpy Kit	All BAYECON089-92A
BAYENTH008A	Comparative Enthalpy Kit	All BAYECON089-92A
BAYDMPR029C	0-25% Manual Outside Air Damper	WCD/WCH (12½-20 Tons)
BAYDMPR0057A	0-50% Motorized Outside Air Damper	WCD/WCH150B, 180B
BAYDMPR058A	0-50% Motorized Outside Air Damper	WCD/WCH240B
BAYDFPS005A ^{⑥⑦}	Clogged Filter Switch	WCD/WCH (12½-20 Tons)
BAYDFPS006A ^{⑥⑦}	Fan Failure Switch	Economizers/0-50% Motorized Air Dampers
BAYGARD043B ^⑧	Tool-less Hail Guard	WC*150B
BAYGARD046B ^⑧	Tool-less Hail Guard	WC*180B
BAYGARD045A ^⑧	Tool-less Hail Guard	WC*240B
BAYPWRX029A	Power Exhaust for 230 volt units	BAYECON089,090,092 (WCD150B, 180B, 240B3)
BAYPWRX030A	Power Exhaust for 460 volt units	BAYECON089,090,092 (WCD150B, 180B, 240B4)
BAYPWRX031A	Power Exhaust for	BAYECON089,090,092 (WCD150,180,240BW)
BAYHSDR002B ^⑨	High Static Drive	WCD/WCH150B
BAYHSMT039B ^{⑩⑪}	5HP Oversized Motor Kit	WCD/WCH150B, 180B
BAYHSMT040B ^{⑩⑪}	5HP Oversized Motor Kit	WC*150, 180BW
BAYHSMT042A	7-1/2HP Oversized Motor Kit	WC*240BW
BAYHSMT098A ^{⑩⑪}	7-1/2HP Oversized Motor Kit	WC*240B3
BAYHSMT099A ^{⑩⑪}	7-1/2HP Oversized Motor Kit	WC*240B4
BAYICSI004B ^{⑫⑬}	Comm 3/4 Communications Interface (TCI)	WC*150-300
BAYLOAM023A ^{⑭⑮}	Evaporator Defrost Control (Frostat)	WC*150-240
BAYSERV001A	Selective Resistance Service Tester	WCD/WCH (12½-20 Tons)
BAYSTAT023	Remote Potentiometer	All BAYECON089-92A
BAYSENS016A	Temperature Sensor	WCD/WCH (12½-20 Tons)
BAYTUBE008A ^{⑯⑰}	Discharge Air Sensing Kit	WCD150-240
BAYTUBE009A ^{⑯⑰}	Discharge Air Sensing Kit	WCH150-240
BAYVNOR002B ^⑱	Ventilation Override Kit	WCH150-240 w/ReliaTel™ Options Module

- ① Dimensions are in inches.
- ② Interior Dimension.
- ③ MCA = Minimum Circuit Ampacity.
- ④ Measurement Includes Curb Flange.
- ⑤ HACR Type Circuit per NEC.
- ⑥ High static drive and oversized motors are mutually exclusive, Do not Combine.
- ⑦ Used for true discharge air sensing in both heating and cooling models.
- ⑧ Clarksville Manufacturing has a no-return policy for this roof curb.
- ⑨ For downflow use only. Can not be adapted for horizontal units.
- ⑩ BAYABRD002B is required when ordering field installed accessories BAYDFPS005A or 006A, BAYTUBE008A or 009A and BAYLOAM023A or BAYVNOR002B.
- ⑪ Field or factory installed option.
- ⑫ Field installed accessory. Requires an economizer.
- ⑬ Interface allows a unit with ReliaTel™ Controls to communicate with Tracer 100, Tracker, VariTrac II, and is the preferred method of communication to Tracer Summit.
- ⑭ With ReliaTel™ controlled units only.

* Information subject to change. Please confirm with current Product Data/Service Facts for current factory production.

Packaged Heat Pump with ReliaTel™ Controls 12½-20 Tons

Table PH-24-A — Downflow Supplementary Heaters:

Model Number	Power Supply	kW Rating	BTUH	Nominal Stages	No. Used With
AYDHTRK418A	460/3/60	18.0	61,400	1	WCD150B4,180B4
AYDHTRK436A	460/3/60	36.0	122,900	2	WCD150B4,180B4
AYDHTRK454A	460/3/60	54.0	184,300	2	WCD150B4,180B4
AYDHTRK318A	208-230/3/60	13.5/18.0	46,100/61,400	1	WCD150B3, 180B3
AYDHTRK336A	208-230/3/60	27.0/36.0	92,200/122,900	2	WCD150B3, 180B3
AYDHTRK354A	208-230/3/60	40.5/54.0	138,200/184,300	2	WCD150B3, 180B3
AYDHTRL336A	208-230/3/60	27.0/36.0	92,200/122,900	2	WCD240B3
AYDHTRL354A	208-230/3/60	40.5/54.0	138,200/184,300	2	WCD240B3
AYDHTRK372A	208-230/3/60	54.0/72.0	184,300/245,700	2	WCD240B3
AYDHTRL436A	460/3/60	36.0	122,900	2	WCD240B4
AYDHTRL454A	460/3/60	54.0	184,300	2	WCD240B4
AYDHTRK472A	460/3/60	72.0	245,700	2	WCD240B4
AYDHTRKW18A	575/3/60	18.0	61,400	1	WCD120BW,180BW
AYDHTRKW36A	575/3/60	36.0	122,900	2	WCD120BW,180BW
AYDHTRKW54A	575/3/60	54.0	184,300	2	WCD120BW,180BW
AYDHTRLW36A	575/3/60	36.0	122,900	2	WCD240BW
AYDHTRLW54A	575/3/60	54.0	184,300	2	WCD240BW
AYDHTRKW72A	575/3/60	72.0	245,700	2	WCD240BW

Table PH-24-B — Horizontal Supplementary Heaters:

AYHHTRN318A	208-230/3/60	13.5/18.0	46,100/61,400	1	WCH150B3, 180B3
AYHHTRP336A	208-230/3/60	27.0/36.0	92,200/122,900	2	WCH150B3, 180B3
AYHHTRP354A	208-230/3/60	40.5/54.0	138,200/184,300	2	WCH150B3, 180B3
AYHHTRP418A	460/3/60	18.0	61,400	1	WCH180B4,150B4
AYHHTRP436A	460/3/60	36.0	122,900	2	WCH180B4,150B4
AYHHTRP454A	460/3/60	54.0	184,300	2	WCH180B4,150B4
AYHHTRN336A	208-230/3/60	27.0/36.0	92,200/122,900	2	WCH240B3
AYHHTRN354A	208-230/3/60	40.5/54.0	138,200/184,300	2	WCH240B3
AYHHTRN372A	208-230/3/60	54.0/72.0	184,300/245,700	2	WCH240B3
AYHHTRN436A	460/3/60	36.0	122,900	2	WCH240B4
AYHHTRN454A	460/3/60	54.0	184,300	2	WCH240B4
AYHHTRN472A	460/3/60	72.0	245,700	2	WCH240B4
AYHHTRNW18A	575/3/60	18.0	61,400	1	WCH150BW,180BW
AYHHTRPW36A	575/3/60	36.0	122,900	2	WCH150BW,180BW
AYHHTRPW54A	575/3/60	54.0	184,300	2	WCH150BW,180BW
AYHHTRNW36A	575/3/60	36.0	122,900	2	WCH240BW
AYHHTRNW54A	575/3/60	54.0	184,300	2	WCH240BW
AYHHTRNW72A	575/3/60	72.0	245,700	2	WCH240BW

Note: Unit with heater is single circuit/single point.

See ReliaTel™ and Micro Control features on PC-19 and PC-20.

Total comfort with the quietest operation.

At American Standard, we are dedicated to providing a **total home comfort experience**. With the Triumph 16 packaged gas/electric, this starts with the **advanced design of the ducted fan** and **Vortica blower** — making it the **quietest packaged system on the market**. And with an industry leading efficiency rating of **up to 16.6 SEER** and **two stages of electric cooling and gas heating**, your customers can count on **cost savings** and **reliable performance** throughout the year.



Comfort features you can take to the bank.

- 1 Variable-speed blower motor with Comfort-R™**
Varies air delivery based on cooling requirements, providing higher efficiency and quieter performance. The Comfort-R feature reduces temperature variances and increases dehumidification.
- 2 Appliance-grade finish**
Durable powder-paint finish resists rust and scratches, eliminates sharp edges and provides years of lasting protection.
- 3 Embossed service panels**
Clearly labeled panels allow easy access to the coil, compressor, blower motor and controls.
- 4 All-steel cabinet and weather-beater top**
Contoured, reinforced top that shrugs off the worst Mother Nature has to offer.
- 5 Architectural louvers and corner guards**
Enhance the system's overall appearance, creating a stylish accent for the home. Made from sturdy, UV-resistant, automotive-grade plastic.

Triumph® Packaged Gas/Electric 4YCZ6

16

Ultimate



Up to
16.6
SEER

80%
AFUE

20-year non-prorated limited warranty on heat exchanger
10-year limited warranty on compressor and condenser
5-year limited warranty on all other parts

- 6 Exclusive Spine Fin™ coil**
An industry-leading technology constructed of thousands of tiny aluminum fins for a larger surface area, resulting in enhanced heat transfer. Less likely to corrode than aluminum/copper coils — even under the harshest conditions.
- 7 Vortica™ advanced airflow system**
A state-of-the-art system that quietly circulates more air while using less energy. Slides out for easy service.
- 8 Two-stage Duration™ compressor**
Provides two stages of heating and cooling for a higher level of efficiency than most single-compressor units, running at 70% capacity most of the time and stepping up to the second stage under extreme conditions.
- 9 Stainless steel heat exchanger and burners**
New ultra-safe tubular design for reliable performance and peace of mind.
- 10 Super-quiet high efficiency ducted fan**
Moves air with a sophisticated aerodynamic blade for the quietest performance on the market, with total sound levels as low as 70 dB.

No-leak, rust-resistant drain pan

Corrosion-resistant and fully sloped to reduce standing water. (Not shown)

Packaged Gas/Electric 4YCZ6

Triumph®

16

American Standard
HEATING & AIR CONDITIONING

Triumph® Packaged Gas/Electric 4YCZ6

Your Profit-ability with American Standard

Sell-ability

- Industry leader and brand reputation
- Quietest performance on the market
- Attractively designed with architectural louvers and corner guards
- Appliance-grade finish
- Great reliability and durability
- 20/10/5 warranty

Install-ability

- Easily converted for horizontal or vertical applications
- Factory-built 12" and 18" duct covers for extra-clean horizontal installation
- Pan-head screws on the supply and return panels for flush-fit duct connections
- Convenient right-side electrical and gas valve connections
- Easy-lift system makes hoisting quicker and safer

Service-ability

- Easy access to coil, compressor, blower and controls
- Clearly labeled access panels
- Liquid-line port in the compressor compartment

Performance-ability

- Variable-speed fan motor with Comfort-R™
- Exclusive Spine Fin™ coil
- Super-quiet high efficiency ducted fan
- Energy-saving and quiet Vortica™ advanced airflow system
- Two-stage Duration™ compressor
- Two-stage gas heat and two-stage electric cooling

Rely-ability

- SEET* tested to ensure unmatched durability
- Heavy-duty steel cabinet and weather-beater top that sheds water
- Safe, reliable stainless steel heat exchanger and burners
- No-leak, rust-resistant drain pan
- Foil-faced, rigid insulation stays cleaner and lasts longer
- SermaGuard™ rust-resistant screws

*Seasonal Extreme Environmental Test

A warranty for you and your customers.

Not only does an American Standard extended warranty protect your customers, it allows you to maintain a relationship with them and generate future business. Extended warranties are also a great way to promote your reputation in the community and collect referrals, while ensuring customer satisfaction.

American Standard benefits for your customers

Reliable performance

Design innovations and rigorous SEET testing ensure that our name goes on only the most reliable products.

Durable construction

Materials for all components are torture-tested for consistent, reliable, long-lasting performance and durability.

Enhanced comfort

Add American Standard accessories such as Comfort Controls and Humidifiers to enhance overall performance and maximize comfort.

Cleaner air

Add an AccuExchange™ energy recovery ventilator (ERV) to reduce chemical vapors and household odors for a cleaner, more comfortable home.

Efficient operation

Increased efficiency may lower heating or cooling costs.

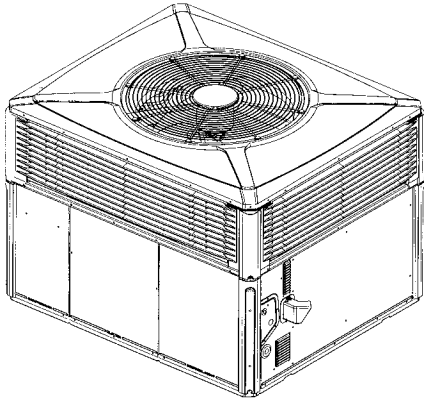
A reputation built on reliability and durability.

We salute independent American Standard dealers who work to improve the lives of their customers' families. Our promise to you is to continually dedicate ourselves to creating and manufacturing new and innovative products – products that make you and your customers a lot more comfortable.

American Standard
HEATING & AIR CONDITIONING
americanstandardair.com

Model Number	Actual SEER	AFUE	Sound Rating (dB)	Nominal Tonnage	Height (in.)	Width (in.)	Depth (in.)	208/230V 1Ø	208/230V 3Ø
Triumph Packaged Gas/Electric 4YCZ6									
4YCZ6036	16.6	80	70	3.0	38	51	43	•	•
4YCZ6048	16.0	80	71	4.0	42	61	46	•	•
4YCZ6060	15.1	80	73	5.0	42	61	46	•	•

Packaged Gas/Electric Convertible 3-5 Tons



- Architecturally integrated louvers and corner guards deliver durable protection, extra safety, and great looks
- Weather Beater Top contoured for great appearance and reinforced for strength

- Ultra quiet operation provides best-in-class performance with barely noticeable sound levels
- Appliance grade finish of durable powder paint baked on both sides of the panels
- Exclusive **Duration™** high efficiency 2-stage compressor with internal overload protection
- 2-stage heating and cooling
- Stainless steel heat exchanger and burners for longer life and added safety
- Ducted outdoor fan with a high efficiency motor for quiet and reliable operation
- Semi-Elliptical, Logarithmic Expansion Composite **Vortica®** blower provides better airflow and less sound while using less energy
- High efficiency variable speed ECM indoor blower motors with **Comfort-R™** airflow system
- **Spine Fin™** outdoor coil for long lasting performance and durability
- Right side electrical service access for high and low voltage connections
- Rugged steel basepan features deep drawn duct connections
- Steeply sloped composite drainpan
- Copper tube, aluminum fin indoor coil
- Ships in horizontal configuration and converts quickly for downflow
- Optional filter rack kits fit inside the unit. Available for 1" or 2" media
- Non-bleed expansion valves on indoor and outdoor coils
- Pressure taps, including liquid line taps, easily accessed and protected inside compressor compartment
- Low ambient cooling to 0°F with kit
- UL approved and listed
- **20-year heat exchanger, 10-year compressor, 10-year outdoor coil, and 5-year other parts limited warranty (Residential Use Only)**
- **Optional extended warranty**

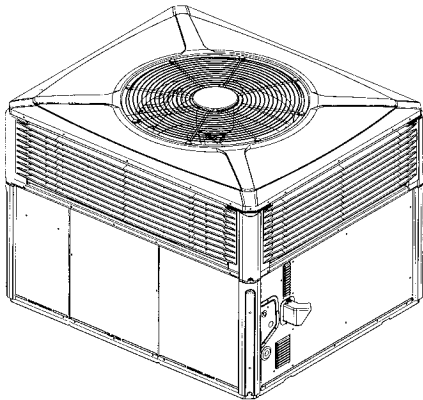
Table PG-1-A — 4YCZ6 -Triumph® 16 - Convertible Packaged Gas/Electric - R-410A

Model Number	Cooling Capacity (BTUH)	Heating Capacity Output (1 Stg./2 Stg.)	SEER	EER High/Low	AFUE(%)	Shipping Weight	MCA	Max Fuse	Sound Rating	Cabinet Dimensions (in.) H x D x W
4YCZ6 – 208-230/1/60										
4YCZ6036A1075AA	35,600	45,000/60,000	16.60	12.00/13.60	80.0	392	26.0	40	70	36 x 43 x 51
4YCZ6036A1096AA	35,600	57,600/76,800	16.60	12.00/13.60	80.0	397	26.0	40	70	36 x 43 x 51
4YCZ6048A1096AA	48,000	57,600/76,800	16.00	12.00/13.48	80.0	525	34.1	50	71	42 x 46 x 61
4YCZ6048A1120AA	48,000	72,000/96,000	16.00	12.00/13.48	80.0	531	34.1	50	71	42 x 46 x 61
4YCZ6060A1120AA	57,500	72,000/96,000	15.10	11.40/12.64	80.0	676	37.1	60	73	42 x 46 x 61
4YCZ6 – 208-230/3/60										
4YCZ6036A3075AA	35,600	45,000/60,000	16.60	12.00/13.60	80.0	392	19.1	30	70	36 x 43 x 51
4YCZ6036A3096AA	35,600	57,600/76,800	16.60	12.00/13.60	80.0	397	19.1	30	70	36 x 43 x 51
4YCZ6048A3096AA	48,000	57,600/76,800	16.00	12.00/13.48	80.0	525	24.5	35	71	42 x 46 x 61
4YCZ6048A3120AA	48,000	72,000/96,000	16.00	12.00/13.48	80.0	531	24.5	35	71	42 x 46 x 61
4YCZ6060A3120AA	57,500	72,000/96,000	15.10	11.40/12.65	80.0	676	30.3	45	73	42 x 46 x 61
4YCZ6 –460/3/60										
4YCZ6036A4075AA	35,600	45,000/60,000	16.60	12.00/13.60	79.0	392	10.4	15	70	36 x 43 x 51
4YCZ6036A4096AA	35,600	57,600/76,800	16.60	12.00/13.60	80.0	397	10.4	15	70	36 x 43 x 51
4YCZ6048A4096AA	48,000	45,000/60,000	16.00	12.00/13.48	80.0	525	15.3	20	71	42 x 46 x 61
4YCZ6048A4120AA	48,000	72,000/96,000	16.00	12.00/13.48	80.0	531	15.3	20	71	42 x 46 x 61
4YCZ6060A4120AA	57,500	72,000/96,000	15.10	11.40/12.65	80.0	676	19.2	25	73	42 x 46 x 61

For dimensional/outline drawings, please refer to Product Data.

For information on Roof Curbs, please refer to the Accessories/Information Tab.

Packaged Gas/Electric Convertible 2-5 Tons



- Architecturally integrated louvers and corner guards deliver durable protection, extra safety, and great looks
- Weather Beater Top contoured for great appearance and reinforced for strength
- Ultra quiet operation provides best-in-class performance with barely noticeable sound levels
- Appliance grade finish of durable powder paint baked on both sides of the panels
- Exclusive **Duration™** high efficiency compressor with internal overload protection
- Ducted outdoor fan with a high efficiency motor for quiet and reliable operation
- Semi-Elliptical, Logarithmic Expansion Composite **Vortica®** blower provides better airflow and less sound while using less energy
- High efficiency variable speed ECM indoor blower motors with **Comfort-R™** airflow system
- **Spine Fin™** outdoor coil for long lasting performance and durability
- Right side electrical service access for high and low voltage connections
- Rugged steel basepan features deep drawn duct connections
- Steeply sloped composite drainpan
- Ships in horizontal configuration and converts quickly for downflow
- Optional filter rack kits fit inside the unit. Available for 1" or 2" media
- Non-bleed expansion valves on indoor coils
- Copper tube, aluminum fin indoor coil
- Two stage gas valve
- Stainless steel heat exchanger and burners for longer life and added safety
- Pressure taps, including liquid line taps, easily accessed and protected inside compressor compartment
- Low ambient cooling to 0°F with kit
- UL approved and listed
- **20-year heat exchanger, 10-year compressor, 10-year outdoor coil, and 5-year other parts limited warranty (Residential Use Only)**
- **Optional extended warranty**

Table PG-2-A — 4YCY4 - Triumph® 14 - Convertible Packaged Gas/Electric - R-410A

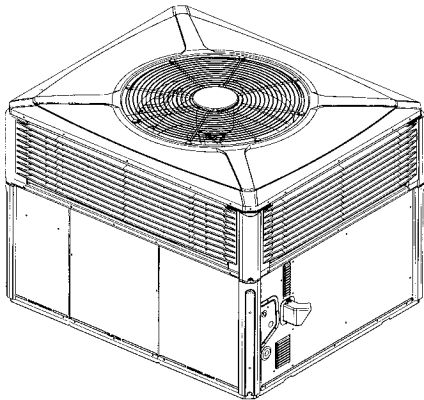
Model Number	Cooling Capacity (BTUH)	Heating Capacity Output (1 Stg./2 Stg.)	SEER/EER	AFUE(%)	Shipping Weight	MCA	Max Fuse	Sound Rating	Cabinet Dimensions (in.) HxDxW
4YCY4 – 208-230/1/60									
4YCY4024A1064A	24,000	38,400/51,200	14.00/11.60	80.0	385	23.6	35	68	36 x 43 x 51
4YCY4030A1075A①	30,000	45,000/60,000	14.00/12.00	80.0	481	19.2	30	71	36 x 43 x 51
4YCY4036A1075A	36,400	45,000/60,000	14.00/11.60	80.0	392	23.6	35	69	36 x 43 x 51
4YCY4036A1096A	36,400	57,600/76,800	14.00/11.60	80.0	397	23.6	35	69	36 x 43 x 51
4YCY4042A1096A①	42,000	57,600/76,800	14.25/12.00	80.0	653	31.5	50	74	38 x 46 x 61
4YCY4048A1096A	48,000	57,600/76,800	14.00/11.90	80.0	525	31.5	50	73	38 x 46 x 61
4YCY4048A1120A	48,000	72,000/96,000	14.00/11.90	80.0	531	31.5	50	73	38 x 46 x 61
4YCY4060A1120A	59,500	72,000/96,000	14.00/11.90	80.0	676	43.3	60	76	42 x 46 x 61
4YCY4 – 208-230/3/60									
4YCY4036A3075A	36,400	56,250/75,000	14.00/11.60	80.0	392	18.5	30	69	36 x 43 x 51
4YCY4036A3096A	36,400	72,000/96,000	14.00/11.60	80.0	397	18.5	30	69	36 x 43 x 51
4YCY4048A3096A	48,000	72,000/96,000	14.00/11.90	80.0	525	24.0	35	73	38 x 46 x 61
4YCY4048A3120A	48,000	90,000/120,000	14.00/11.90	80.0	531	24.0	35	73	38 x 46 x 61
4YCY4060A3120A	59,500	90,000/120,000	14.00/11.90	80.0	676	31.5	50	76	42 x 46 x 61

① Available March 2008.

For dimensional/outline drawings, please refer to Product Data.

For information on Roof Curbs, please refer to the Accessories/Information Tab.

Packaged Gas/Electric Convertible 2-5 Tons



- Architecturally integrated louvers and corner guards deliver durable protection, extra safety, and great looks
- Weather Beater Top contoured for great appearance and reinforced for strength
- Stainless steel burners and heat exchanger for extra long life and safety
- Ultra quiet operation provides best-in-class performance with barely noticeable sound levels
- Appliance grade finish of durable powder paint baked on both sides of the panels
- Exclusive **Duration™** high efficiency compressor with internal overload protection
- Ducted outdoor fan with a high efficiency motor for quiet and reliable operation
- Copper tube, aluminum fin indoor coil
- Semi-Elliptical Logarithmic Expansion Composite **Vortica®** blower provides better airflow and less sound while using less energy
- **Spine Fin™** outdoor coil for long lasting performance and durability
- Right side electrical service access for high and low voltage connections
- Rugged steel basepan features deep drawn duct connections
- Steeply sloped composite drainpan
- Ships in horizontal configuration and converts quickly for downflow
- Optional filter rack kits fit inside the unit. Available for 1" or 2" media
- Non-bleed expansion valves on indoor and outdoor coils
- Direct drive multi-speed indoor blower motors
- Pressure taps, including liquid line taps, easily accessed and protected inside compressor compartment
- Standard operation to 55°F as manufactured
- Low ambient cooling to 0°F with kit
- UL approved and listed
- **20-year heat exchanger, 10-year compressor, 10-year outdoor coil, and 5-year other parts limited warranty (Residential Use Only)**
- **Optional extended warranty**

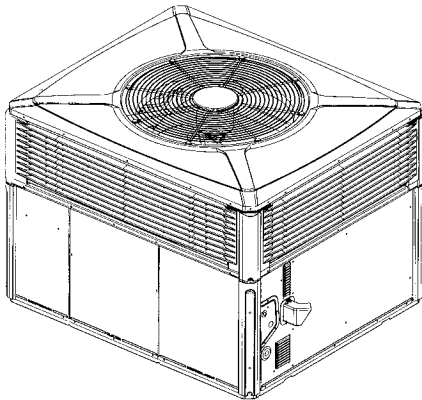
Table PG-3-A — 2YCX3 - Triumph® 13 - Convertible Packaged Gas/Electric - R-22

Model Number	Cooling Capacity (BTUH)	Heating Capacity Output (1 Stg./2 Stg.)	SEER/EER	AFUE(%)	Shipping Weight	MCA	Max Fuse	Sound Rating	Cabinet Dimensions (in.) H x D x W
2YCX3 – 208-230/1/60									
2YCX3024A1040A	24,000	40,000/32,000	13.00/11.20	80.0	470	13.3	20	70	36 x 43 x 51
2YCX3024A1064A	24,000	64,000/51,200	13.00/11.20	80.0	481	13.3	20	70	36 x 43 x 51
2YCX3030A1040A	28,000	40,000/32,000	13.00/11.00	80.0	470	16.3	25	70	36 x 43 x 51
2YCX3030A1064A	28,600	64,000/51,200	13.00/11.00	79.4	481	16.3	25	70	36 x 43 x 51
2YCX3030A1075A	28,600	75,000/60,000	13.00/11.00	80.0	481	16.3	25	70	36 x 43 x 51
2YCX3036A1064A	35,200	64,000/51,200	13.00/11.00	80.0	479	23.0	35	72	36 x 43 x 51
2YCX3036A1075A	35,200	75,000/60,000	13.00/11.00	80.0	479	23.0	35	72	36 x 43 x 51
2YCX3036A1096A	35,200	96,000/76,800	13.00/11.00	80.0	485	23.0	35	72	36 x 43 x 51
2YCX3042A1064A	41,500	64,000/51,200	13.00/11.00	80.0	599	24.5	40	73	38 x 46 x 61
2YCX3042A1075A	41,500	75,000/60,000	13.00/11.00	80.0	599	24.5	40	73	38 x 46 x 61
2YCX3042A1096A	41,500	96,000/76,800	13.00/11.00	80.0	607	24.5	40	73	38 x 46 x 61
2YCX3048A1075A	48,000	75,000/60,000	13.00/11.00	80.0	656	29.0	45	73	38 x 46 x 61
2YCX3048A1096A	48,000	96,000/76,800	13.00/11.00	80.0	663	29.0	45	73	38 x 46 x 61
2YCX3048A1120A	48,000	120,000/96,000	13.00/11.00	80.0	669	29.0	45	73	38 x 46 x 61
2YCX3060A1096A	59,500	96,000/76,800	13.20/11.20	80.0	678	40.4	60	75	38 x 46 x 61
2YCX3060A1120A	59,500	120,000/96,000	13.20/11.20	80.0	684	40.4	60	75	38 x 46 x 61

For dimensional/outline drawings, please refer to Product Data.

For information on Roof Curbs, please refer to the Accessories/Information Tab.

Packaged Gas/Electric Convertible 1½-5 Tons



- Architecturally integrated louvers and corner guards deliver durable protection, extra safety, and great looks
- Weather Beater Top contoured for great appearance and reinforced for strength
- Stainless steel burners and heat exchanger for extra long life and safety
- Ultra quiet operation provides best-in-class performance with barely noticeable sound levels
- Appliance grade finish of durable powder paint baked on both sides of the panels
- Exclusive **Duration™** high efficiency compressor with internal overload protection
- Ducted outdoor fan with a high efficiency motor for quiet and reliable operation
- Copper tube, aluminum fin indoor coil
- Semi-Elliptical Logarithmic Expansion Composite **Vortica®** blower provides better airflow and less sound while using less energy
- **Spine Fin™** outdoor coil for long lasting performance and durability
- Right side electrical service access for high and low voltage connections
- Rugged steel basepan features deep drawn duct connections
- Steeply sloped composite drainpan
- Ships in horizontal configuration and converts quickly for downflow
- Optional filter rack kits fit inside the unit. Available for 1" or 2" media
- Non-bleed expansion valves on indoor and outdoor coils
- Direct drive multi-speed indoor blower motors
- Pressure taps, including liquid line taps, easily accessed and protected inside compressor compartment
- Standard operation to 55°F as manufactured
- Low ambient cooling to 0°F with kit
- UL approved and listed
- **20-year heat exchanger, 10-year compressor, 10-year outdoor coil, and 5-year other parts limited warranty (Residential Use Only)**
- **Optional extended warranty**

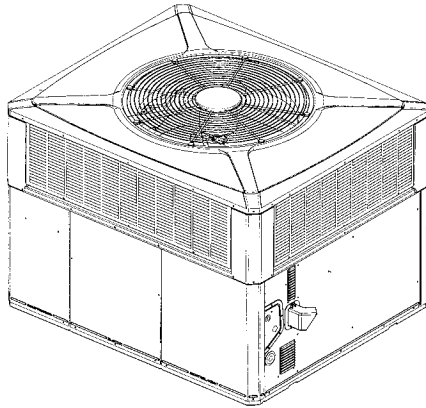
Table PG-4-A — 4YCX3 - Triumph® 13 - Convertible Packaged Gas/Electric - R-410A

Model Number	Cooling Capacity (BTUH)	Heating Capacity Output (1 Stg./2 Stg.)	SEER/EER	AFUE(%)	Shipping Weight	MCA	Max Fuse	Sound Rating	Cabinet Dimensions (in.) H x D x W
4YCX3 – 208-230/1/60									
4YCX3018A1040A	18,000	40,000/32,000	13.00/11.00	79.8	471	10.1	15	69	36 x 43 x 51
4YCX3036A1064A	36,000	64,000/51,200	13.00/11.00	80.0	488	23.6	35	71	36 x 43 x 51
4YCX3036A1075A	36,000	75,000/60,000	13.00/11.00	80.0	488	23.6	35	71	36 x 43 x 51
4YCX3036A1096A	36,000	96,000/76,800	13.00/11.00	80.0	493	23.6	35	71	36 x 43 x 51
4YCX3048A1075A	46,500	75,000/60,000	13.00/11.00	80.0	645	31.5	50	73	38 x 46 x 61
4YCX3048A1096A	46,500	96,000/76,800	13.00/11.00	80.0	653	31.5	50	73	38 x 46 x 61
4YCX3048A1120A	46,500	120,000/96,000	13.00/11.00	80.0	659	31.5	50	73	38 x 46 x 61
4YCX3060A1096A	60,000	96,000/76,800	13.00/10.95	80.0	670	43.3	60	75	38 x 46 x 61
4YCX3060A1120A	60,000	120,000/96,000	13.00/10.95	80.0	676	43.3	60	75	38 x 46 x 61
4YCX3 – 208-230/3/60									
4YCX3036A3064A	36,000	64,000/51,200	13.00/11.00	80.0	488	18.5	30	71	36 x 43 x 51
4YCX3036A3075A	36,000	75,000/60,000	13.00/11.00	80.0	488	18.5	30	71	36 x 43 x 51
4YCX3036A3096A	36,000	96,000/76,800	13.00/11.00	80.0	493	18.5	30	71	36 x 43 x 51
4YCX3048A3075A	46,000	75,000/60,000	13.00/11.00	80.0	645	24.0	35	73	38 x 46 x 61
4YCX3048A3096A	46,500	96,000/76,800	13.00/11.00	80.0	653	24.0	35	73	38 x 46 x 61
4YCX3048A3120A	46,500	120,000/96,000	13.00/11.00	80.0	659	24.0	35	73	38 x 46 x 61
4YCX3060A3096A	60,000	96,000/76,800	13.00/10.95	80.0	670	31.5	50	75	38 x 46 x 61
4YCX3060A3120A	60,000	120,000/96,000	13.00/10.95	80.0	676	31.5	50	75	38 x 46 x 61
4YCX3 – 460/3/60									
4YCX3036A4064A	36,000	64,000/51,200	13.00/11.00	80.0	448	8.7	15	71	36 x 43 x 51
4YCX3036A4075A	36,000	75,000/60,000	13.00/11.00	80.0	448	8.7	15	71	36 x 43 x 51
4YCX3036A4096A	36,000	96,000/76,800	13.00/11.00	80.0	493	8.7	15	71	36 x 43 x 51
4YCX3048A4075A	46,500	75,000/60,000	13.00/11.00	80.0	645	11.7	15	73	38 x 46 x 61
4YCX3048A4096A	46,500	96,000/76,800	13.00/11.00	80.0	653	11.7	15	73	38 x 46 x 61
4YCX3048A4120A	46,500	120,000/96,000	13.00/11.00	80.0	659	11.7	15	73	38 x 46 x 61
4YCX3060A4096A	60,000	96,000/76,800	13.00/10.95	80.0	678	19.3	25	75	38 x 46 x 61
4YCX3060A4120A	60,000	120,000/96,000	13.00/10.95	80.0	684	19.3	25	75	38 x 46 x 61

For dimensional/outline drawings, please refer to Product Data.

For information on Roof Curbs, please refer to the Accessories/Information Tab.

Packaged Gas/Electric Convertible 2-5 Tons



- All steel louvers and cabinet for rugged, long lasting protection
- Weather Beater Top contoured for great appearance and reinforced for strength
- Stainless steel burners and heat exchanger for extra long life and safety

- Quiet operation delivers great in-home comfort with minimal sound
- Appliance grade finish of durable powder paint baked on both sides of the panels
- Exclusive **Duration™** high efficiency compressor with internal overload protection
- High efficiency outdoor fan motor for quiet and reliable operation
- Copper tube, aluminum fin indoor coil
- Semi-Elliptical Logarithmic Expansion Composite **Vortica®** blower provides better airflow and less sound while using less energy
- **Spine Fin™** outdoor coil for long lasting performance and durability
- Right side electrical service access for high and low voltage connections
- Rugged steel basepan features deep drawn duct connections
- Steeply sloped composite drainpan
- Ships in horizontal configuration and converts quickly for downflow
- Optional filter rack kits fit inside the unit. Available for 1" or 2" media
- Non-bleed expansion valves on indoor and outdoor coils
- Direct drive multi-speed indoor blower motors
- Pressure taps, including liquid line taps, easily accessed and protected inside compressor compartment
- Standard operation to 55°F as manufactured
- Low ambient cooling to 0°F with kit
- UL approved and listed
- **10-year heat exchanger, 5-year compressor and other parts limited warranty (Residential Use Only)**
- **Optional extended warranty**

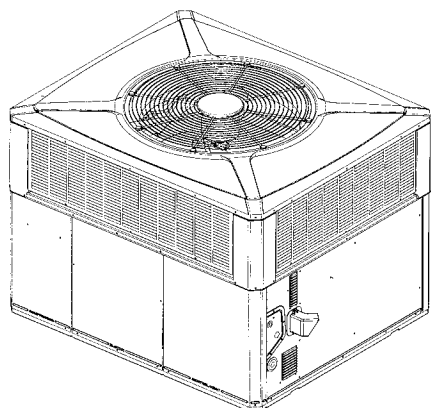
Table PG-5-A — 2YCC3 -American Standard 13 - Convertible Packaged Gas/Electric - R-22

Model Number	Cooling Capacity (BTUH)	Heating Capacity Output (1 Stg./2 Stg.)	SEER/EER	AFUE(%)	Shipping Weight	MCA	Max Fuse	Sound Rating	Cabinet Dimensions (in.) H x D x W
2YCC3 – 208-230/1/60									
2YCC3024A1040A	23,000	40,000/32,000	13.00/11.00	80.0	470	13.3	20	74	36 x 43 x 51
2YCC3024A1064A	23,000	64,000/51,200	13.00/11.00	80.0	481	13.3	20	74	36 x 43 x 51
2YCC3030A1040A	28,000	40,000/32,000	13.00/11.00	80.0	470	16.3	25	74	36 x 43 x 51
2YCC3030A1064A	28,000	64,000/51,200	13.00/11.00	80.0	481	16.3	25	74	36 x 43 x 51
2YCC3030A1075A	28,000	75,000/60,000	13.00/11.00	80.0	481	16.3	25	74	36 x 43 x 51
2YCC3036A1064A	35,000	64,000/51,200	13.00/11.00	80.0	479	23.0	35	76	36 x 43 x 51
2YCC3036A1075A	35,000	75,000/60,000	13.00/11.00	80.0	479	23.0	35	76	36 x 43 x 51
2YCC3036A1096A	35,000	96,000/76,800	13.00/11.00	80.0	485	23.0	35	76	36 x 43 x 51
2YCC3042A1064A	40,000	64,000/51,200	13.00/11.00	80.0	599	24.5	40	78	38 x 46 x 61
2YCC3042A1075A	40,000	75,000/60,000	13.00/11.00	80.0	599	24.5	40	78	38 x 46 x 61
2YCC3042A1096A	40,000	96,000/76,800	13.00/11.00	80.0	607	24.5	40	78	38 x 46 x 61
2YCC3048A1075A	47,000	75,000/60,000	13.00/11.00	80.0	656	29.0	45	77	38 x 46 x 61
2YCC3048A1096A	47,000	96,000/76,800	13.00/11.00	80.0	663	29.0	45	77	38 x 46 x 61
2YCC3048A1120A	47,000	120,000/96,000	13.00/11.00	80.0	669	29.0	45	77	38 x 46 x 61
2YCC3060A1096A	58,000	96,000/76,800	13.00/11.00	80.0	678	40.4	60	76	42 x 46 x 61
2YCC3060A1120A	58,000	120,000/96,000	13.00/11.00	80.0	684	40.4	60	76	42 x 46 x 61

For dimensional/outline drawings, please refer to Product Data.

For information on Roof Curbs, please refer to the Accessories/Information Tab.

Packaged Gas/Electric Convertible 1½-5 Tons



- All steel louvers and cabinet for rugged, long lasting protection
- Weather Beater Top contoured for great appearance and reinforced for strength
- Stainless steel burners and heat exchanger for extra long life and safety
- Quiet operation delivers great in-home comfort with minimal sound
- Appliance grade finish of durable powder paint baked on both sides of the panels
- Exclusive **Duration™** high efficiency compressor with internal overload protection
- High efficiency outdoor fan motor for quiet and reliable operation
- Semi-Elliptical Logarithmic Expansion Composite **Vortica®** blower provides better airflow and less sound while using less energy
- **Spine Fin™** outdoor coil for long lasting performance and durability
- Right side electrical service access for high and low voltage connections
- Rugged steel basepan features deep drawn duct connections
- Steeply sloped composite drainpan
- Ships in horizontal configuration and converts quickly for downflow
- Optional filter rack kits fit inside the unit. Available for 1" or 2" media
- Non-bleed expansion valves on indoor and outdoor coils
- Direct drive multi-speed indoor blower motors
- Copper tube, aluminum fan indoor coil
- Pressure taps, including liquid line taps, easily accessed and protected inside compressor compartment
- Standard operation to 55°F as manufactured
- Low ambient cooling to 0°F with kit
- UL approved and listed
- **10-year heat exchanger, 5-year compressor and other parts limited warranty (Residential Use Only)**
- **Optional extended warranty**

Table PG-6-A — 4YCC3 - American Standard 13 - Convertible Packaged Gas/Electric - R-410A

Model Number	Cooling Capacity (BTUH)	Heating Capacity Output (1 Stg./2 Stg.)	SEER/EER	AFUE(%)	Shipping Weight	MCA	Max Fuse	Sound Rating	Cabinet Dimensions (in.) HxDxW
4YCC3 – 208-230/1/60									
4YCC3018A1040A	18,000	40,000/32,000	13.00/11.00	80.0	471	10.1	15	74	36 x 43 x 51
4YCC3036A1064A	35,000	64,000/51,200	13.00/11.00	80.0	488	23.6	35	75	36 x 43 x 51
4YCC3036A1075A	35,000	75,000/60,000	13.00/11.00	80.0	488	23.6	35	75	36 x 43 x 51
4YCC3036A1096A	35,000	96,000/76,800	13.00/11.00	80.0	493	23.6	35	75	36 x 43 x 51
4YCC3048A1075A	46,500	75,000/60,000	13.00/11.00	80.0	645	31.5	50	80	38 x 46 x 61
4YCC3048A1096A	46,500	96,000/76,800	13.00/11.00	80.0	653	31.5	50	80	38 x 46 x 61
4YCC3048A1120A	46,500	120,000/96,000	13.00/11.00	80.0	659	31.5	50	80	38 x 46 x 61
4YCC3060A1096A	58,000	96,000/76,800	13.00/10.95	80.0	670	43.3	60	79	40 x 46 x 61
4YCC3060A1120A	58,000	120,000/96,000	13.00/10.95	80.0	676	43.3	60	79	40 x 46 x 61
4YCC3 – 208-230/3/60									
4YCC3036A3064A	35,000	64,000/51,200	13.00/11.00	80.0	488	18.5	30	75	36 x 43 x 51
4YCC3036A3075A	35,000	75,000/60,000	13.00/11.00	80.0	488	18.5	30	75	36 x 43 x 51
4YCC3036A3096A	35,000	96,000/76,800	13.00/11.00	80.0	493	18.5	30	75	36 x 43 x 51
4YCC3048A3075A	46,500	75,000/60,000	13.00/11.00	80.0	645	24.0	35	80	38 x 46 x 61
4YCC3048A3096A	46,500	96,000/76,800	13.00/11.00	80.0	653	24.0	35	80	38 x 46 x 61
4YCC3048A3120A	46,500	120,000/96,000	13.00/11.00	80.0	659	24.0	35	80	38 x 46 x 61
4YCC3060A3096A	58,000	96,000/76,800	13.00/10.95	80.0	670	31.5	50	79	40 x 46 x 61
4YCC3060A3120A	58,000	120,000/96,000	13.00/10.95	80.0	676	31.5	50	79	40 x 46 x 61
4YCC3 – 460/3/60									
4YCC3036A4064A	35,000	64,000/51,200	13.00/11.00	80.0	488	8.7	15	75	36 x 43 x 51
4YCC3036A4075A	35,000	75,000/60,000	13.00/11.00	80.0	488	8.7	15	75	36 x 43 x 51
4YCC3036A4096A	35,000	96,000/76,800	13.00/11.00	80.0	493	8.7	15	75	36 x 43 x 51
4YCC3048A4075A	46,500	75,000/60,000	13.00/11.00	80.0	645	11.7	15	80	38 x 46 x 61
4YCC3048A4096A	46,500	96,000/76,800	13.00/11.00	80.0	653	11.7	15	80	38 x 46 x 61
4YCC3048A4120A	46,500	120,000/96,000	13.00/11.00	80.0	659	11.7	15	80	38 x 46 x 61
4YCC3060A4096A	58,000	96,000/76,800	13.00/10.95	80.0	678	19.3	25	79	40 x 46 x 61
4YCC3060A4120A	58,000	120,000/96,000	13.00/10.95	80.0	684	19.3	25	79	40 x 46 x 61

For dimensional/outline drawings, please refer to Product Data.

For information on Roof Curbs, please refer to the Accessories/Information Tab.

Packaged Gas/Electric Convertible 1½-5 Tons

Table PG-7-A — Accessories

	4&CZ6 3-5	4YCY4 2-5	2YCX3 2-5	4YCX3 1½-5	2YCC3 2-5	4YCC3 1½-5
BAYACCDOR1A Hinged Filter Access Door	3	2-3	2-3	1½-3	2-3	1½-3
BAYACCDOR2A Hinged Filter Access Door	3½-5	3½-5	3½-5	3½-5	3½-5	3½-5
BAYADAP050A Adapter Curb (Cabinet A/B)	3	2-3	2-3	1½-3	2-3	1½-3
BAYADAP051A Adapter Curb (Cabinet C)	3	2-3	2-3	1½-3	2-3	1½-3
BAYADAP052A Adapter Curb (Cabinet A/B)	4-5	3½-5	3½-5	3½-5	3½-5	3½-5
BAYADAP053A Adapter Curb (Cabinet C)	4-5	3½-5	3½-5	3½-5	3½-5	3½-5
BAYADAP054A Adapter Curb (Cabinet D)	4-5	3½-5	3½-5	3½-5	3½-5	3½-5
BAYASCT001 Anti-Short Cycle Timer®	✓	✓	✓	✓	✓	✓
BAYCCHT101A Crankcase Heater (230v) (Reciprocation)	—	2	2-2½, 3½-4	1½	2-2½, 3½-4	1½
BAYCCHT102A Crankcase Heater (230v) (Scroll)	3,4,5	3,4,5	3, 5	3,4,5	3, 5	3,4,5
BAYCCHT404B Crankcase Heater (460v) (Scroll)	3,4,5	3,4,5	—	3,4,5	—	3,4,5
BAYCOVR112A 12" Duct Shroud (Covers Horizontal Ducts)®	3-5	2-5	2-5	1½-5	2-5	1½-5
BAYCOVR118A 18" Duct Shroud (Covers Horizontal Ducts)®	3-5	2-5	2-5	1½-5	2-5	1½-5
BAYCURB050A Flat Roof Curb (Insulated)®	3	2-3	2-3	1½-3	2-3	1½-3
BAYCURB051A Flat Roof Curb (Insulated)®	4-5	3½-5	3½-5	3½-5	3½-5	3½-5
BAYDMPR101A Motorized Fresh Air Damper①②③④⑤	3	2-3	2-3	1½-3	2-3	1½-3
BAYDMPR102A Motorized Fresh Air Damper①②③④⑤	4-5	3½-5	3½-5	3½-5	3½-5	3½-5
BAYECON101A Economizer with Barometric Relief①③④⑦⑭⑮	—	2-3	2-3	1½-3	2-3	1½-3
BAYECON102A Economizer with Barometric Relief①③④⑦⑭⑮	—	3½-5	3½-5	3½-5	3½-5	3½-5
BAYECON103A Economizer with Barometric Relief①③④⑦⑭⑮	3	—	—	—	—	—
BAYECON104A Economizer with Barometric Relief①③④⑦⑭⑮	4-5	—	—	—	—	—
BAYECON200A Economizer (Horizontal)①③⑦⑩	—	2-3	2-3	1½-3	2-3	1½-3
BAYECON201A Economizer (Horizontal)①③⑦⑩	—	3½-5	3 ½-5	3 ½-5	3 ½-5	3 ½-5
BAYECON203A Economizer (Horizontal)①③⑦⑩	3	—	—	—	—	—
BAYECON204A Economizer (Horizontal)①③⑦⑩	4-5	—	—	—	—	—
BAYENTH001A Enthalpy Control Kit®	✓	✓	✓	✓	✓	✓
BAYEXMK001A Extreme Conditions Mounting Kit (Used on BAYCURB & BAYADAP)	✓	✓	✓	✓	✓	✓
BAYEXMK002B Extreme Conditions Mounting Kit (Used on BAYUTIL)	✓	✓	✓	✓	✓	✓
BAYEXMK003A Extreme Conditions Mounting Kit (Used on Slab Mounts)	✓	✓	✓	✓	✓	✓
BAYFLTR101B 1-2" Filter Frame (Requires one 20x25① filter which is not included)	3	2-3	2-3	1½-3	2-3	1½-3
BAYFLTR201B 1-2" Filter Frame (Requires one 20x20① and one 20x18① filters which are not included)	4-5	3½-5	3½-5	3½-5	3½-5	3½-5
BAYLIFT002B Lifting Lug Kit	✓	✓	✓	✓	✓	✓
BAYLOAM105A Head Pressure Control	✓	✓	✓	✓	✓	✓
BAYLPKT100A LP Conversion Kit	40K,120K	40K,120K	40K,120K	40K,120K	40K,120K	40K,120K
BAYLPKT101A LP Conversion Kit	64K,96K	64K, 96K	64K, 96K	64K, 96K	64K, 96K	64K, 96K
BAYLPKT102A LP Conversion Kit	75K	75K	75K	75K	75K	75K
BAYOSAH001A Manual Fresh Air Damper①	3	2-3	2-3	1½-3	2-3	1½-3
BAYOSAH002A Manual Fresh Air Damper①	4-5	3½-5	3½-5	3½-5	3½-5	3½-5
BAYQSTK301A Quick Start Kit	✓	✓	✓	✓	✓	✓
BAYSQRD001A 16" Round Duct Adapter®	3	2-3	2-3	1½-3	2-3	1½-3
BAYSQRD002A 18" Round Duct Adapter®	4-5	2-5	2-5	1½-5	2-5	1½-5
BAYUTIL101B Roof Curb Utility Extension Kit	3	2-3	2-3	1½-3	2-3	1½-3
BAYUTIL102B Roof Curb Utility Extension Kit	4-5	3½-5	3½-5	3½-5	3½-5	3½-5

- ① Must use filter frame when economizer/fresh air kit is used.
- ② Ships knocked down.
- ③ Dry bulb control standard with economizer.
- ④ Downflow Only.
- ⑤ Full perimeter curb for 2/4YC*3018-036A.
- ⑥ Full perimeter curb for 2/4YC*3042-060A.
- ⑦ 2-Stage cooling control required when using economizer.
- ⑧ Do not use with electronic thermostats.
- ⑨ It is the responsibility of the installing dealer to properly size the ductwork for each specific application.
- ⑩ BAYCOVR112,118A will not cover BAYSQRD002A applications.
- ⑪ Does not contain barometric relief.
- ⑫ Max fresh air - 25%.
- ⑬ For non-continuous fan gas-heating applications, the damper opens only when the OD ambient is above 50° F.
- ⑭ It is the designer/engineer's responsibility to review product specifications prior to equipment selection to insure optimal performance and compliance to codes.
- ⑮ Temperature of mixed air entering the heat exchanger is monitored and fresh air intake may be reduced under certain conditions.

EXISTING CURB	NEW UNIT 2/4TC/WC/YC****A	USE BAYADAP0**A
BAYCURB030,38A	018-036	50
BAYCURB030,38A	042-060	52
BAYCURB033A	018-036	51
BAYCURB033A	042-060	53
BAYCURB034A	042-060	54

For dimensional/outline drawings, please refer to Product Data.

For information on Roof Curbs, please refer to the Accessories/Information Tab.

Packaged Gas/Electric Convertible 3-5 Tons

YCZ – 16 SEER

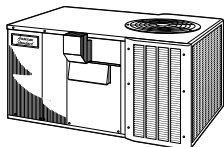


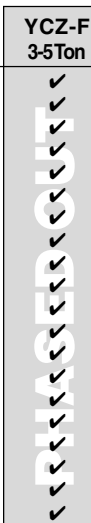
Table PG-8-A — YCZ – Convertible Packaged Gas/Electric

Unit Model No.	SEER/EEER*	Cooling Capacity (Btuh)	Heating Output Capacity (Btuh)	AFUE%	Cabinet Dimensions (in.) H x D x W	Supply/Return Downflow W x L	Supply/Return Horizontal H x W	Shipping Weight (lbs.)	MCA*	Max. Fuse*	Sound Rating	Comp.
YCZ – 208-230/1/60		Stage 1 - Stage 2										
YCZ036F1M0B	16.05/12.00	36,000	45,000 – 57,000	80	29 x 36 x 64 (C)	10 x 17 ¹ / ₂	18 ⁹ / ₁₆ x 11 ¹ / ₁₆	588	27.1	40	80	R1/2
YCZ050F1H0A	16.00/11.50	51,000	73,000 – 95,500	80	33 x 45 x 65 (D)	14 x 20	21 ¹ / ₁₆ x 15 ¹ / ₁₆	693	32	40	82	R1
YCZ060F1M0B	15.20/11.00	59,000	72,000 – 96,000	80	33 x 45 x 65 (D)	14 x 20	21 ¹ / ₁₆ x 15 ¹ / ₁₆	723	43.5	70	84	R1/2
YCZ – 208-230/3/60		Stage 1 - Stage 2										
YCZ036F3M0B	16.05/12.00	36,000	45,000 – 57,000	80	29 x 36 x 64 (C)	10 x 17 ¹ / ₂	18 ⁹ / ₁₆ x 11 ¹ / ₁₆	588	19.6	30	80	R1/2
YCZ050F3H0A	14.50/10.91	50,000	73,000 – 95,500	80	33 x 45 x 65 (D)	14 x 20	21 ¹ / ₁₆ x 15 ¹ / ₁₆	693	26	30	82	R1
YCZ060F3M0B	15.20/11.00	59,000	72,000 – 96,000	80	33 x 45 x 65 (D)	14 x 20	21 ¹ / ₁₆ x 15 ¹ / ₁₆	723	30.9	45	84	R1/2
YCZ – 460/3/60		Stage 1 - Stage 2										
YCZ036F4M0A	14.00/10.35	36,000	45,000 – 57,000	80	29 x 36 x 64 (C)	10 x 17 ¹ / ₂	18 ⁹ / ₁₆ x 11 ¹ / ₁₆	613	11.4	15	80	R1/2
YCZ050F4H0A	14.50/10.91	50,000	73,000 – 95,500	80	33 x 45 x 65 (D)	14 x 20	21 ¹ / ₁₆ x 15 ¹ / ₁₆	718	15.1	20	82	R1
YCZ060F4M0A	14.85/10.90	59,000	72,000 – 96,000	80	33 x 45 x 65 (D)	14 x 20	21 ¹ / ₁₆ x 15 ¹ / ₁₆	748	20.3	30	82	R1/2

* Information subject to change. Please confirm with current Product Data/Service Facts for current factory production.
Compressor Types are: R1 = Reciprocating One Cylinder, R2 = Reciprocating Two Cylinder, S = Scroll

Table PG-8-B — Features

- **Duration™** Compressor (2)
- **Coil Sav'R™** guard
- **Comfort-R™** mode option
- Aluminized steel tubular heat exchanger
- Direct spark ignition
- GE ECM variable speed fan
- Horizontal convertible to downflow
- Lite Port™/Stored diagnostics
- L.P. convertible
- Meets California NOX (as shipped)
- Multi-port in-shot burner
- Plate Fin coils
- Two-stage cooling
- Two-stage gas valve
- **5-year limited compressor only warranty (Commercial use)**
- **5-year limited heat exchanger warranty (Commercial use)**
- **5-year limited parts warranty (Residential use)**
- **1-year limited parts warranty (Commercial use)**
- **10-year limited compressor and outdoor coil warranty (Residential use)**
- **20-year limited heat exchanger warranty (Residential use)**



Comfort Controls — See Comfort Controls/Zone Sensors Section

For dimensional/outline drawings, please refer to Product Data.

For information on Roof Curbs, please refer to the Accessories/Information Tab.

Table PG-9-A — Accessories

	YCZ-F 3-5
BAYASCT001 ^{①⑥} ... Anti-Short Cycle Timer	3-5
BAYCURB030A Roof Curb (Flat Roof) ^③ (14 H x 34 W x 53 ¹ / ₈ L)	3-5
BAYCURB033A Roof Curb (Flat Roof) ^③ Acousti-Curb (14 H x 34 W x 60 ⁵ / ₈ L)	3
BAYCURB034A Roof Curb (Flat Roof) ^③ Acousti-Curb (14 H x 43 W x 62 ¹ / ₁₆ L)	4-5
BAYCURB038A Roof Curb (Flat Roof) ^③ Acousti-Curb (14 H x 34 W x 53 ¹ / ₈ L)	3-5
BAYDMPR040A 0-25% Manual Fresh Air Damper (Downflow Only) ^②	3
BAYDMPR041A 0-25% Manual Fresh Air Damper (Downflow Only) ^②	4-5
BAYDUCT004A 12" Round Duct Adapters (2 per Box) Horizontal Only	3
BAYDUCT005A 14" Round Duct Adapters (1 per Box) Horizontal Only	4
BAYECMT002A Extreme Conditions Mouniting Kit (Curb Mount)	3-5
BAYECMT003A Extreme Conditions Mouniting Kit (Slab or Rack Mount)	3-5
BAYECON054B 0-100% Mod. Economizer with Bar Relief – Downflow ^{②④⑥}	3
BAYECON055B 0-100% Mod. Economizer with Bar Relief – Downflow ^{②④⑥}	4-5
BAYECON073A 0-100% Mod. Economizer – Horizontal ^{②③⑥}	3-5
BAYENTH001A Enthalpy Control (Solid State) ^④	3-5
BAYFLTR013A Filter Frame ^② (20 x 25 x 1" filter not included)	3
BAYFLTR014A Filter Frame ^② (3-10 x 25 x 1" filter not included)	4H-5M
BAYFLTR018A Filter Frame ^② (20 x 25 x 2" filter not included)	3
BAYFLTR019A Filter Frame ^② (2-16 x 25 x 2" filter not included)	4H-5M
BAYINDK002A** Insulated Deck Pan for C Cabinet	3M
BAYINDK003A*** .. Insulated Deck Pan for D Cabinet	4H-5M
BAYLIFT002B Lifting Lug Kit	3-5
BAYLOAM011A Evaporator Defrost Control Kit ^①	3-5
BAYLPKT024C LP Conversion Kit	3-5
BAYLPSS002A LP Conversion Kit with 5 Stainless steel burners and 5 LP #54 orifices (Two Stage)	3-5
BAYOSAC001A Outside Air Econo Controller	3-5
BAYSTAT023 Remote Potentiometer for BAYECON054B, 055B	3-5

- ① Low ambient cooling requires crankcase heater.
- ② Must use filter frame when economizer/fresh air kit is used.
- ③ Ships knocked down.
- ④ Dry bulb control standard with economizer.
- ⑤ May require motor change, see instruction guide.
- ⑥ 2-Stage cooling control required when using economizer.
- ⑦ Activated on Power Off.
- ⑧ Not for use with programmable thermostat.
- ** Currently Shipped with BAYCURB033A.
- *** Currently Shipped with BAYCURB034A.
- L – Low heat model
- M – Medium heat model
- H – High heat model

For dimensional/outline drawings, please refer to Product Data.

For information on Roof Curbs, please refer to the Accessories/Information Tab.

Packaged Gas/Electric Convertible 3-10 Tons



Featuring A New Look for a New Century

Beveled Top
Smoother Design
Small compact cabinet
Recessed access handles

Standard Features:

- American Standard Heating & Air Conditioning built scroll compressors on all 3-10 ton units except 3 ton standard efficiency model (Reciprocating Compressor)
- Colored and numbered wiring
- Provisions for through the Base Gas and Condensate Drain Connections
- Patented Hybrid Condenser Coil for easy cleaning
- 1" throwaway filters provided on 3-5 ton units
- 2" throwaway filters provided on 6-10 ton units
- Liquid Line Refrigerant Drier
- Operating Charge of R-22 or R-410A
- IAQ Sloped Drain Pans
- Low Ambient to 40°F on Electromechanical models
- Low Ambient to 0°F on ReliaTel™ models
- 5 - year Limited Compressor Warranty
- 5 - year Limited Heat Exchanger Warranty
- 1 - year Limited Parts Warranty

Added Flexibility

- Electromechanical or ReliaTel™ controls (**See page PC-19 for ReliaTel™ Control Information**)
- Standard or high efficiency cooling models available
- Low, medium or high heat, single or two stage
- Convertible airflow
- Fork lift openings on three sides of unit
- Direct or belt drive - standard or oversized motors (Direct for 3-5 ton only)
- We don't prepackage options
- Choose options tailored to suit each job —pay only for what is needed
- Units ship with options installed —and within our standard ship cycle time

Factory Installed Options

- Through-the-Base — Electrical
- Convenience Outlet — Powered or unpowered
- Unit Disconnect Switch
- Smoke Detectors — Supply, return, or both
- Condenser Coil Coating
- Hinged Access Service Panels
- Discharge Air Sensor
- Fan Fail and Clogged Filter Switches
- Condenser Coil Guard — Hail Protection Quality
- Hot Gas Reheat Coil - Dehumidification
- TXV thermal expansion valve and split face evaporator coil
- Novar Controls
- 2" Pleated Media filters
- Phase Monitor
- Froststat

***The same American Standard Heating & Air Conditioning
Quality and Reliability ... with added Flexibility!***

Packaged Gas/Electric Convertible 3-5 Tons, 15 SEER, R-410A

Table PG-11-A — Base Unit — 15 SEER High Efficiency — Electromechanical or ReliaTel™

Tons	Unit Ordering No.	Performance ^② SEER/EER	Heating Output ^①			Cabinet Dimensions (in.) H x W x L	Downflow Supply	Downflow Return	Shipping Weight (lbs.)	MCA**	Max. Fuse**
			Cooling Capacity (Btuh)	Capacity (Btuh)	AFUE%						
YHC - 208-230/1/60 - Single Phase - Low Heat											
3	YHC036E1*LA0000	15.0	38,490	48,000	78	36 x 43 x 69	18 x 15.5	24 x 14	555	26.7	40
4	YHC048E1*LA0000	15.0	48,930	48,000	80	42 x 53 x 88	33 x 17.5	32.2 x 17.5	798	35.7	50
5	YHC060E1*LA0000	15.0	62,490	48,000	80	42 x 53 x 88	33 x 17.5	32.2 x 17.5	823	43.8	70
YHC - 208-230/3/60 - Three Phase - Low Heat											
3	YHC036E3*LA0000	15.0	38,490	48,000	78	36 x 43 x 69	18 x 15.5	24 x 14	555	21.9	30
4	YHC048E3*LA0000	15.0	49,930	48,000	80	42 x 53 x 88	33 x 17.5	32.2 x 17.5	798	28.3	40
5	YHC060E3*LA0000	15.0	63,490	48,000	80	42 x 53 x 88	33 x 17.5	32.2 x 17.5	823	32.1	45
YHC - 460/3/60 - Three Phase - Low Heat											
3	YHC036E4*LA0000	15.0	38,490	48,000	78	36 x 43 x 69	18 x 15.5	24 x 14	555	10.0	15
4	YHC048E4*LA0000	15.0	49,930	48,000	80	42 x 53 x 88	33 x 17.5	32.2 x 17.5	798	13.6	20
5	YHC060E4*LA0000	15.0	63,490	48,000	80	42 x 53 x 88	33 x 17.5	32.2 x 17.5	823	16.8	25
YHC - 208-230/1/60 - Single Phase - Medium Heat											
3	YHC036E1*MA0000	15.0	38,490	48,000	78	36 x 43 x 69	18 x 15.5	24 x 14	555	26.7	40
4	YHC048E1*MA0000	15.0	48,930	48,000	79	42 x 53 x 88	33 x 17.5	32.2 x 17.5	798	35.7	50
5	YHC060E1*MA0000	15.0	62,490	48,000	79	42 x 53 x 88	33 x 17.5	32.2 x 17.5	823	43.8	70
YHC - 208-230/3/60 - Three Phase - Medium Heat											
3	YHC036E3*MA0000	15.0	38,490	64,000	78	36 x 43 x 69	18 x 15.5	24 x 14	555	21.9	30
4	YHC048E3*MA0000	15.0	49,930	64,000	79	42 x 53 x 88	33 x 17.5	32.2 x 17.5	798	28.3	40
5	YHC060E3*MA0000	15.0	63,490	64,000	79	42 x 53 x 88	33 x 17.5	32.2 x 17.5	823	32.1	45
YHC - 460/3/60 - Three Phase - Medium Heat											
3	YHC036E4*MA0000	15.0	38,490	64,000	78	36 x 43 x 69	18 x 15.5	24 x 14	555	10.0	15
4	YHC048E4*MA0000	15.0	49,930	64,000	79	42 x 53 x 88	33 x 17.5	32.2 x 17.5	798	13.6	20
5	YHC060E4*MA0000	15.0	63,490	64,000	79	42 x 53 x 88	33 x 17.5	32.2 x 17.5	823	16.8	25
YHC - 208-230/1/60 - Single Phase - High Heat											
3	YHC036E1*HA0000	15.0	38,490	48,000	78	36 x 43 x 69	18 x 15.5	24 x 14	555	26.7	40
4	YHC048E1*HA0000	15.0	48,930	48,000	79	42 x 53 x 88	33 x 17.5	32.2 x 17.5	798	35.7	50
5	YHC060E1*HA0000	15.0	62,490	48,000	80	42 x 53 x 88	33 x 17.5	32.2 x 17.5	823	43.8	70
YHC - 208-230/3/60 - Three Phase - High Heat											
3	YHC036E3*HA0000	15.0	38,490	96,000	78	36 x 43 x 69	18 x 15.5	24 x 14	555	21.9	30
4	YHC048E3*HA0000	15.0	49,930	96,000	79	42 x 53 x 88	33 x 17.5	32.2 x 17.5	798	28.3	40
5	YHC060E3*HA0000	15.0	63,490	104,000	80	42 x 53 x 88	33 x 17.5	32.2 x 17.5	823	32.1	45
YHC - 460/3/60 - Three Phase - High Heat											
3	YHC036E4*HA0000	15.0	38,490	96,000	78	36 x 43 x 69	18 x 15.5	24 x 14	555	10.0	15
4	YHC048E4*HA0000	15.0	49,930	96,000	79	42 x 53 x 88	33 x 17.5	32.2 x 17.5	798	13.6	20
5	YHC060E4*HA0000	15.0	63,490	104,000	80	42 x 53 x 88	33 x 17.5	32.2 x 17.5	823	16.8	25

① Downflow Airflow/Horizontal Airflow

② SEER applies, 3-5 tons; EER applies 6-10 tons.

* Digit 9-E=Electromechanical or R=ReliaTel™.

** Information subject to change. Please confirm with current Product Data/Service Facts for current factory production.

Packaged Gas/Electric Convertible 3-5 Tons, 13 SEER, R-22

Table PG-12-A — Base Unit — 13 SEER High Efficiency — Electromechanical or ReliaTel™

Tons	Unit Ordering No.	Performance ^② SEER/EER	Cooling Capacity(Btuh)	Heating Output ^①		AFUE%	Cabinet Dimensions (in.)			Downflow Supply	Downflow Return	Shipping Weight (lbs.)	MCA**	Max. Fuse**
				Capacity (Btuh)			H	W	L					
YHC -208-230/3/60 – Three Phase – Low Heat														
3	YHC033A3*LA0000	13.0	38,000	48,000	81	32 x 43 x 69	18 x 15.5	24 x 14	620	19.9	30			
4	YHC043A3*LA0000	13.0	49,800	48,000	81	32 x 43 x 69	18 x 15.5	24 x 14	662	22.6	35			
5	YHC063A3*LA0000	13.0	62,400	48,000	81	36 x 43 x 69	18 x 15.5	24 x 14	697	28.8	45			
YHC -460/3/60 – Three Phase – Low Heat														
3	YHC033A4*LA0000	13.0	38,000	48,000	81	32 x 43 x 69	18 x 15.5	24 x 14	620	10.4	15			
4	YHC043A4*LA0000	13.0	49,800	48,000	81	32 x 43 x 69	18 x 15.5	24 x 14	662	11.8	15			
5	YHC063A4*LA0000	13.0	62,400	48,000	81	36 x 43 x 69	18 x 15.5	24 x 14	697	14.3	20			
YHC -575/3/60 – Three Phase – Low Heat														
3	YHC033AW*LA0000	13.0	38,000	48,000	81	36 x 43 x 69	18 x 15.5	24 x 14	620	7.7	15			
4	YHC043AW*LA0000	13.0	49,800	48,000	81	36 x 43 x 69	18 x 15.5	24 x 14	662	8.5	15			
5	YHC063AW*LA0000	13.0	62,400	48,000	81	36 x 43 x 69	18 x 15.5	24 x 14	697	11.4	15			
YHC -208-230/3/60 – Three Phase – Medium Heat														
3	YHC033A3*MA0000	13.0	38,000	64,000	81	32 x 43 x 69	18 x 15.5	24 x 14	620	19.9	30			
4	YHC043A3*MA0000	13.0	49,800	64,000	81	32 x 43 x 69	18 x 15.5	24 x 14	662	22.6	35			
5	YHC063A3*MA0000	13.0	62,400	64,000	81	36 x 43 x 69	18 x 15.5	24 x 14	697	28.8	45			
YHC -460/3/60 – Three Phase – Medium Heat														
3	YHC033A4*MA0000	13.0	38,000	64,000	81	32 x 43 x 69	18 x 15.5	24 x 14	620	10.4	15			
4	YHC043A4*MA0000	13.0	49,800	64,000	81	32 x 43 x 69	18 x 15.5	24 x 14	662	11.8	15			
5	YHC063A4*MA0000	13.0	62,400	64,000	81	36 x 43 x 69	18 x 15.5	24 x 14	697	14.3	20			
YHC -575/3/60 – Three Phase – Medium Heat														
3	YHC033AW*MA0000	13.0	38,000	64,000	81	36 x 43 x 69	18 x 15.5	24 x 14	620	7.7	15			
4	YHC043AW*MA0000	13.0	49,800	64,000	81	36 x 43 x 69	18 x 15.5	24 x 14	662	8.5	15			
5	YHC063AW*MA0000	13.0	62,400	64,000	81	36 x 43 x 69	18 x 15.5	24 x 14	697	11.4	15			
YHC -208-230/3/60 – Three Phase – High Heat														
3	YHC033A3*HA0000	13.0	38,000	96,000	81	32 x 43 x 69	18 x 15.5	24 x 14	620	19.9	30			
4	YHC043A3*HA0000	13.0	49,800	96,000	81	32 x 43 x 69	18 x 15.5	24 x 14	662	22.6	35			
5	YHC063A3*HA0000	13.0	62,400	104,000	80	36 x 43 x 69	18 x 15.5	24 x 14	697	28.8	45			
YHC -460/3/60 – Three Phase – High Heat														
3	YHC033A4*HA0000	13.0	38,000	96,000	81	32 x 43 x 69	18 x 15.5	24 x 14	620	10.4	15			
4	YHC043A4*HA0000	13.0	49,800	96,000	81	32 x 43 x 69	18 x 15.5	24 x 14	662	11.8	15			
	YHC063A4*HA0000	13.0	62,400	104,000	80	36 x 43 x 69	18 x 15.5	24 x 14	697	14.3	20			
YHC -575/3/60 – Three Phase – High Heat														
3	YHC033AW*HA0000	13.0	38,000	96,000	81	36 x 43 x 69	18 x 15.5	24 x 14	620	7.7	15			
4	YHC043AW*HA0000	13.0	49,800	96,000	81	36 x 43 x 69	18 x 15.5	24 x 14	662	8.5	15			
5	YHC063AW*HA0000	13.0	62,400	104,000	80	36 x 43 x 69	18 x 15.5	24 x 14	697	11.4	15			

① Downflow Airflow/Horizontal Airflow

② SEER applies, 3-5 tons; EER applies 6-10 tons.

* Digit 9-E=Electromechanical or R=ReliaTel™.

** Information subject to change. Please confirm with current Product Data/Service Facts for current factory production.

Packaged Gas/Electric Convertible 3-10 Tons, Standard Efficiency

Table PG-13-A — Base Unit — Standard Efficiency — Electromechanical or ReliaTel™

Tons	Unit Ordering No.③	Performance② SEER/EER	Heating Output①			Cabinet Dimensions (in.) H x W x L	Downflow Supply	Downflow Return	Shipping Weight (lbs.)	MCA**	Max. Fuse**
			Cooling Capacity (Btuh)	Capacity (Btuh)	AFUE%						
YSC – 208-230/1/60 – Single Phase – Low Heat											
3	YSC036E1*LA0000	13.0	35,620	48,000	80	36 x 43 x 69	18 x 15.5	12 x 14	607	27.2	40
4	YSC048E1*LA0000	13.0	49,210	48,000	80	36 x 43 x 69	18 x 15.5	12 x 14	638	35.2	50
5	YSC060E1*LA0000	13.0	59,900	48,000	80	36 x 43 x 69	18 x 15.5	12 x 14	688	43.8	70
YSC –208-230/3/60 – Three Phase – Low Heat											
3	YSC036A3*LA0000	10.7	37,400	48,000	81	32 x 43 x 69	18 x 15.5	24 x 14	465	17.9	25
4	YSC048A3*LA0000	10.0	49,200	48,000	81	32 x 43 x 69	18 x 15.5	24 x 14	495	23.9	35
5	YSC060A3*LA0000	10.2	63,100	48,000	81	36 x 43 x 69	18 x 15.5	24 x 14	512	31.5	50
3	YSC036E3*LA0000	13.0	37,150	48,000	80	36 x 43 x 69	18 x 15.5	12 x 14	607	21.4	30
4	YSC048E3*LA0000	13.0	49,450	48,000	80	36 x 43 x 69	18 x 15.5	12 x 14	638	25.2	35
5	YSC060E3*LA0000	13.0	62,270	48,000	80	36 x 43 x 69	18 x 15.5	12 x 14	688	29.5	45
6	YSC072E3*LA0000	11.2	75,000	64,800	81	41 x 53 x 89	33 x 17.5	32.13 x 17.5	936	36.5	50
7½	YSC092E3*LA0000	11.2	94,000	97,200	81	41 x 53 x 89	33 x 17.5	32.13 x 17.5	1059	43.3	50
8½	YSC102E3*LA0000	11.2	102,000	97,200	81	47 x 53 x 89	33 x 17.5	32.13 x 17.5	1096	46.3	60
10	YSC120E3*LA0000	10.6	118,000	121,500	81	47 x 53 x 89	33 x 17.5	32.13 x 17.5	1201	55.9	60
6	YSC072A3*LA0000	10.2/10.1①	72,000	64,800	81	41 x 53 x 89	33 x 17.5	32.13 x 17.5	822	32.7	50
7½	YSC090A3*LA0000	10.3	92,000	97,200	81	41 x 53 x 89	33 x 17.5	32.13 x 17.5	907	42.7	60
7½	YSC092A3*LA0000	10.4/10.1①	92,000	97,200	81	41 x 53 x 89	33 x 17.5	32.13 x 17.5	909	38.9	50
8½	YSC102A3*LA0000	10.1	105,000	97,200	81	47 x 53 x 89	33 x 17.5	32.13 x 17.5	986	45.1	60
10	YSC120A3*LA0000	10.2/10.1①	118,000	121,500	81	47 x 53 x 89	33 x 17.5	32.13 x 17.5	1074	52.6	60
YSC –460/3/60 – Three Phase – Low Heat											
3	YSC036A4*LA0000	10.7	37,400	48,000	81	32 x 43 x 69	18 x 15.5	24 x 14	465	9.2	15
4	YSC048A4*LA0000	10.0	49,200	48,000	81	32 x 43 x 69	18 x 15.5	24 x 14	495	12.8	20
5	YSC060A4*LA0000	10.2	63,100	48,000	81	36 x 43 x 69	18 x 15.5	24 x 14	512	16.0	25
3	YSC036E4*LA0000	13.0	37,150	48,000	80	36 x 43 x 69	18 x 15.5	12 x 14	607	10.1	15
4	YSC048E4*LA0000	13.0	49,450	48,000	80	36 x 43 x 69	18 x 15.5	12 x 14	638	12.5	15
5	YSC060E4*LA0000	13.0	62,270	48,000	80	36 x 43 x 69	18 x 15.5	12 x 14	688	15.5	25
6	YSC072E4*LA0000	11.2	75,000	64,800	81	41 x 53 x 89	33 x 17.5	32.13 x 17.5	936	18.2	25
7½	YSC092E4*LA0000	11.2	94,000	97,200	81	41 x 53 x 89	33 x 17.5	32.13 x 17.5	1059	21.5	25
8½	YSC102E4*LA0000	11.2	102,000	97,200	81	47 x 53 x 89	33 x 17.5	32.13 x 17.5	1096	21.9	25
10	YSC120E4*LA0000	10.6	118,000	121,500	81	47 x 53 x 89	33 x 17.5	32.13 x 17.5	1201	26.5	35
6	YSC072A4*LA0000	10.2/10.1①	72,000	64,800	81	41 x 53 x 89	33 x 17.5	32.13 x 17.5	822	17.6	25
7½	YSC090A4*LA0000	10.3	92,000	97,200	81	41 x 53 x 89	33 x 17.5	32.13 x 17.5	907	22.6	35
7½	YSC092A4*LA0000	10.4/10.1①	92,000	97,200	81	41 x 53 x 89	33 x 17.5	32.13 x 17.5	909	20.5	25
8½	YSC102A4*LA0000	10.1	105,000	97,200	81	47 x 53 x 89	33 x 17.5	32.13 x 17.5	986	24.0	30
10	YSC120A4*LA0000	10.2/10.1①	118,000	121,500	81	47 x 53 x 89	33 x 17.5	32.13 x 17.5	1074	26.9	35
YSC –575/3/60 – Three Phase – Low Heat											
3	YSC036AW*LA0000	10.7	37,400	48,000	81	36 x 43 x 69	18 x 15.5	24 x 14	465	7.7	15
4	YSC048AW*LA0000	10.0	49,200	48,000	81	36 x 43 x 69	18 x 15.5	24 x 14	495	9.8	15
5	YSC060AW*LA0000	10.2	63,100	48,000	81	36 x 43 x 69	18 x 15.5	24 x 14	512	12.2	15
3	YSC036EW*LA0000	13.0	37,150	48,000	80	36 x 43 x 69	18 x 15.5	12 x 14	607	8.0	15
4	YSC048EW*LA0000	13.0	49,450	48,000	80	36 x 43 x 69	18 x 15.5	12 x 14	638	9.0	15
5	YSC060EW*LA0000	13.0	62,270	48,000	80	36 x 43 x 69	18 x 15.5	12 x 14	688	10.1	15
6	YSC072EW*LA0000	11.2	75,000	64,800	81	41 x 53 x 89	33 x 17.5	32.13 x 17.5	936	12.7	20
7½	YSC092EW*LA0000	11.2	94,000	97,200	81	41 x 53 x 89	33 x 17.5	32.13 x 17.5	1059	15.9	20
8½	YSC102EW*LA0000	11.2	102,000	97,200	81	47 x 53 x 89	33 x 17.5	32.13 x 17.5	1096	17.5	20
10	YSC120EW*LA0000	10.6	118,000	121,500	81	47 x 53 x 89	33 x 17.5	32.13 x 17.5	1201	21.2	25
6	YSC072AW*LA0000	10.2/10.1①	75,000	64,800	81	41 x 53 x 89	33 x 17.5	32.13 x 17.5	822	12.8	20
7½	YSC090AW*LA0000	10.3	92,000	97,200	81	41 x 53 x 89	33 x 17.5	32.13 x 17.5	907	17.6	25
7½	YSC092AW*LA0000	10.4/10.1①	92,000	97,200	81	41 x 53 x 89	33 x 17.5	32.13 x 17.5	909	15.5	20
8½	YSC102AW*LA0000	10.1	105,000	97,200	81	47 x 53 x 89	33 x 17.5	32.13 x 17.5	986	19.5	25
10	YSC120AW*LA0000	10.2/10.1①	118,000	121,500	81	47 x 53 x 89	33 x 17.5	32.13 x 17.5	1074	21.8	25

① Downflow Airflow/Horizontal Airflow

② SEER applies, 3-5 tons; EER applies 6-10 tons.

③ Digit 7 - A=R-22, E=410A.

* Digit 9-E=Electromechanical or R=ReliaTel™.

** Information subject to change. Please confirm with current Product Data/Service Facts for current factory production.

Packaged Gas/Electric Convertible 3-10 Tons, Standard Efficiency

Table PG-14-A — Base Unit — Standard Efficiency — Electromechanical or ReliaTel™

Tons	Unit Ordering No.③	Performance② SEER/EER	Cooling Capacity (Btuh)	Heating Output④		Cabinet Dimensions (in.) H x W x L	Downflow Supply	Downflow Return	Shipping Weight (lbs.)	MCA**	Max. Fuse**
				Capacity (Btuh)	AFUE%						
YSC – 208-230/1/60 – Single Phase – Medium Heat											
3	YSC036E1*MA0000	13.0	35,620	64,000	80	36 x 43 x 69	18 x 15.5	12 x 14	607	27.2	40
4	YSC048E1*MA0000	13.0	49,210	64,000	80	36 x 43 x 69	18 x 15.5	12 x 14	638	35.2	50
5	YSC060E1*MA0000	13.0	59,900	64,000	80	36 x 43 x 69	18 x 15.5	12 x 14	688	43.8	70
YSC – 208-230/3/60 – Three Phase – Medium Heat											
3	YSC036A3*MA0000	10.7	37,400	64,000	81	32 x 43 x 69	18 x 15.5	24 x 14	507	17.9	25
4	YSC048A3*MA0000	10.0	49,200	64,000	81	32 x 43 x 69	18 x 15.5	24 x 14	519	23.9	35
5	YSC060A3*MA0000	10.2	63,100	64,000	81	36 x 43 x 69	18 x 15.5	24 x 14	548	31.5	50
3	YSC036E3*MA0000	13.0	37,150	64,000	81	36 x 43 x 69	18 x 15.5	12 x 14	607	21.4	30
4	YSC048E3*MA0000	13.0	49,450	64,000	81	36 x 43 x 69	18 x 15.5	12 x 14	638	25.2	35
5	YSC060E3*MA0000	13.0	62,270	64,000	81	36 x 43 x 69	18 x 15.5	12 x 14	688	29.5	45
6	YSC072E3*MA0000	11.2	75,000	97,200	81	41 x 53 x 89	33 x 17.5	32.13 x 17.5	936	36.5	50
7½	YSC092E3*MA0000	11.2	94,000	121,500	81	41 x 53 x 89	33 x 17.5	32.13 x 17.5	1059	43.3	50
8½	YSC102E3*MA0000	11.2	102,000	121,500	81	47 x 53 x 89	33 x 17.5	32.13 x 17.5	1096	46.3	60
10	YSC120E3*MA0000	10.6	118,000	162,000	81	47 x 53 x 89	33 x 17.5	32.13 x 17.5	1201	55.9	60
6	YSC072A3*MA0000	10.2/10.1①	72,000	97,200	81	41 x 53 x 89	33 x 17.5	32.13 x 17.5	822	32.2	50
7½	YSC090A3*MA0000	10.3	92,000	121,500	81	41 x 53 x 89	33 x 17.5	32.13 x 17.5	907	42.7	60
7½	YSC092A3*MA0000	10.4/10.1①	92,000	121,500	81	41 x 53 x 89	33 x 17.5	32.13 x 17.5	909	38.9	50
8½	YSC102A3*MA0000	10.1	105,000	121,500	81	47 x 53 x 89	33 x 17.5	32.13 x 17.5	986	44.4	60
10	YSC120A3*MA0000	10.2/10.1①	118,000	162,000	81	47 x 53 x 89	33 x 17.5	32.13 x 17.5	1074	50.9	60
YSC – 460/3/60 – Three Phase – Medium Heat											
3	YSC036A4*MA0000	10.7	37,400	64,000	81	32 x 43 x 69	18 x 15.5	24 x 14	465	9.2	15
4	YSC048A4*MA0000	10.0	49,200	64,000	81	32 x 43 x 69	18 x 15.5	24 x 14	495	12.8	20
5	YSC060A4*MA0000	10.2	63,100	64,000	81	36 x 43 x 69	18 x 15.5	24 x 14	512	16.0	25
3	YSC036E4*MA0000	13.0	37,150	64,000	80	36 x 43 x 69	18 x 15.5	12 x 14	607	10.1	15
4	YSC048E4*MA0000	13.0	49,450	64,000	80	36 x 43 x 69	18 x 15.5	12 x 14	638	12.5	15
5	YSC060E4*MA0000	13.0	62,270	64,000	80	36 x 43 x 69	18 x 15.5	12 x 14	688	15.5	25
6	YSC072E4*MA0000	11.2	75,000	97,200	81	41 x 53 x 89	33 x 17.5	32.13 x 17.5	936	18.2	25
7½	YSC092E4*MA0000	11.2	94,000	121,500	81	41 x 53 x 89	33 x 17.5	32.13 x 17.5	1059	21.5	25
8½	YSC102E4*MA0000	11.2	102,000	121,500	81	47 x 53 x 89	33 x 17.5	32.13 x 17.5	1096	21.9	25
10	YSC120E4*MA0000	10.6	118,000	162,000	81	47 x 53 x 89	33 x 17.5	32.13 x 17.5	1201	26.5	35
6	YSC072A4*MA0000	10.2/10.1①	72,000	97,200	81	41 x 53 x 89	33 x 17.5	32.13 x 17.5	822	17.6	25
7½	YSC090A4*MA0000	10.3	92,000	121,500	81	41 x 53 x 89	33 x 17.5	32.13 x 17.5	907	22.6	35
7½	YSC092A4*MA0000	10.4/10.1①	92,000	121,500	81	41 x 53 x 89	33 x 17.5	32.13 x 17.5	909	20.5	25
8½	YSC102A4*MA0000	10.1①	105,000	121,500	81	47 x 53 x 89	33 x 17.5	32.13 x 17.5	986	24.0	30
10	YSC120A4*MA0000	10.2/10.1①	118,000	162,000	81	47 x 53 x 89	33 x 17.5	32.13 x 17.5	1074	26.9	35
YSC – 575/3/60 – Three Phase – Medium Heat											
3	YSC036AW*MA0000	10.7	37,400	64,000	81	36 x 43 x 69	18 x 15.5	24 x 14	465	7.7	15
4	YSC048AW*MA0000	10.0	49,200	64,000	81	36 x 43 x 69	18 x 15.5	24 x 14	495	9.8	15
5	YSC060AW*MA0000	10.2	63,100	64,000	81	36 x 43 x 69	18 x 15.5	24 x 14	512	12.2	15
3	YSC036EW*MA0000	13.0	37,150	64,000	80	36 x 43 x 69	18 x 15.5	12 x 14	607	8.0	15
4	YSC048EW*MA0000	13.0	49,450	64,000	80	36 x 43 x 69	18 x 15.5	12 x 14	638	9.0	15
5	YSC060EW*MA0000	13.0	62,270	64,000	80	36 x 43 x 69	18 x 15.5	12 x 14	688	10.1	15
6	YSC072EW*MA0000	11.2	75,000	97,200	81	41 x 53 x 89	33 x 17.5	32.13 x 17.5	936	12.7	20
7½	YSC092EW*MA0000	11.2	94,000	121,500	81	41 x 53 x 89	33 x 17.5	32.13 x 17.5	1059	15.9	20
8½	YSC102EW*MA0000	11.2	102,000	121,500	81	47 x 53 x 89	33 x 17.5	32.13 x 17.5	1096	17.5	20
10	YSC120EW*MA0000	10.6	118,000	162,000	81	47 x 53 x 89	33 x 17.5	32.13 x 17.5	1201	21.2	25
6	YSC072AW*MA0000	10.2/10.1①	75,000	97,200	81	41 x 53 x 89	33 x 17.5	32.13 x 17.5	822	12.8	20
7½	YSC090AW*MA0000	10.3	92,000	121,500	81	41 x 53 x 89	33 x 17.5	32.13 x 17.5	907	17.6	25
7½	YSC092AW*MA0000	10.4/10.1①	92,000	121,500	81	41 x 53 x 89	33 x 17.5	32.13 x 17.5	909	15.5	20
8½	YSC102AW*MA0000	10.1	105,000	121,500	81	47 x 53 x 89	33 x 17.5	32.13 x 17.5	986	19.5	25
10	YSC120AW*MA0000	10.2/10.1①	118,000	162,000	81	47 x 53 x 89	33 x 17.5	32.13 x 17.5	1074	21.8	25

① Downflow Airflow/Horizontal Airflow

② SEER applies, 3-5 tons; EER applies 6-10 tons.

③ Digit 7 - A=R-22, E=410A.

* Digit 9-E=Electromechanical or R=ReliaTel™.

** Information subject to change. Please confirm with current Product Data/Service Facts for current factory production.

Packaged Gas/Electric Convertible 3-10 Tons, Standard Efficiency

Table PG-15-A — Base Unit — Standard Efficiency — Electromechanical or ReliaTel™

Tons	Unit Ordering No.③	Performance② SEER/EER	Heating Output①			Cabinet Dimensions (in.) H x W x L	Downflow Supply	Downflow Return	Shipping Weight (lbs.)	MCA**	Max. Fuse**
			Cooling Capacity(Btuh)	Capacity (Btuh)	AFUE%						
YSC –208-230/1/60 – Single Phase – High Heat											
3	YSC036E1*HA0000	13.0	35,620	96,000	80	36 x 43 x 69	18 x 15.5	12 x 14	607	27.2	40
4	YSC048E1*HA0000	13.0	49,210	96,000	80	36 x 43 x 69	18 x 15.5	12 x 14	638	35.2	50
5	YSC060E1*HA0000	13.0	59,900	104,000	80	36 x 43 x 69	18 x 15.5	12 x 14	688	43.8	70
YSC –208-230/3/60 – Three Phase – High Heat											
3	YSC036A3*HA0000	10.7	37,400	96,000	81	32 x 43 x 69	18 x 15.5	24 x 14	534	17.9	25
4	YSC048A3*HA0000	10.0	49,200	96,000	81	32 x 43 x 69	18 x 15.5	24 x 14	546	23.9	35
5	YSC060A3*HA0000	10.2	63,100	104,000	81	36 x 43 x 69	18 x 15.5	24 x 14	576	31.5	50
3	YSC036E3*HA0000	13.0	37,150	96,000	80	36 x 43 x 69	18 x 15.5	12 x 14	607	21.4	30
4	YSC048E3*HA0000	13.0	49,450	96,000	80	36 x 43 x 69	18 x 15.5	12 x 14	638	25.2	35
5	YSC060E3*HA0000	13.0	62,270	104,000	80	36 x 43 x 69	18 x 15.5	12 x 14	688	29.5	45
6	YSC072E3*HA0000	11.2	75,000	121,500	81	41 x 53 x 89	33 x 17.5	32.13 x 17.5	936	36.5	50
7½	YSC092E3*HA0000	11.2	94,000	162,000	81	41 x 53 x 89	33 x 17.5	32.13 x 17.5	1059	43.3	50
8½	YSC102E3*HA0000	11.2	102,000	162,000	81	47 x 53 x 89	33 x 17.5	32.13 x 17.5	1096	46.3	60
10	YSC120E3*HA0000	10.6	118,000	205,500	81	47 x 53 x 89	33 x 17.5	32.13 x 17.5	1201	55.9	60
6	YSC072A3*HA0000	10.1	72,000	121,500	81	41 x 53 x 89	33 x 17.5	32.13 x 17.5	822	32.7	50
7½	YSC090A3*HA0000	10.3	92,000	162,000	81	41 x 53 x 89	33 x 17.5	32.13 x 17.5	907	42.7	60
7½	YSC092A3*HA0000	10.4/10.1①	92,000	162,000	81	41 x 53 x 89	33 x 17.5	32.13 x 17.5	909	38.9	50
8½	YSC102A3*HA0000	10.1①	105,000	162,000	81	47 x 53 x 89	33 x 17.5	32.13 x 17.5	986	45.1	60
10	YSC120A3*HA0000	10.2/10.1①	118,000	205,500	81	47 x 53 x 89	33 x 17.5	32.13 x 17.5	1074	52.6	60
YSC –460/3/60 – Three Phase – High Heat											
3	YSC036A4*HA0000	10.7	37,400	96,000	81	32 x 43 x 69	18 x 15.5	24 x 14	465	9.2	15
4	YSC048A4*HA0000	10.0	49,200	96,000	81	32 x 43 x 69	18 x 15.5	24 x 14	495	12.8	20
5	YSC060A4*HA0000	10.2	63,100	104,000	81	36 x 43 x 69	18 x 15.5	24 x 14	512	16.0	25
3	YSC036E4*HA0000	13.0	37,150	96,000	80	36 x 43 x 69	18 x 15.5	12 x 14	607	10.1	15
4	YSC048E4*HA0000	13.0	49,450	96,000	80	36 x 43 x 69	18 x 15.5	12 x 14	638	12.5	15
5	YSC060E4*HA0000	13.0	62,270	104,000	80	36 x 43 x 69	18 x 15.5	12 x 14	688	15.5	25
6	YSC072E4*HA0000	11.2	75,000	121,500	81	41 x 53 x 89	33 x 17.5	32.13 x 17.5	936	18.2	25
7½	YSC092E4*HA0000	11.2	94,000	162,000	81	41 x 53 x 89	33 x 17.5	32.13 x 17.5	1059	21.5	25
8½	YSC102E4*HA0000	11.2	102,000	162,000	81	47 x 53 x 89	33 x 17.5	32.13 x 17.5	1096	21.9	25
10	YSC120E4*HA0000	10.6	118,000	205,500	81	47 x 53 x 89	33 x 17.5	32.13 x 17.5	1201	26.5	35
6	YSC072A4*HA0000	10.1	72,000	121,500	81	41 x 53 x 89	33 x 17.5	32.13 x 17.5	822	17.6	25
7½	YSC090A4*HA0000	10.3	92,000	162,000	81	41 x 53 x 89	33 x 17.5	32.13 x 17.5	907	22.6	35
7½	YSC092A4*HA0000	10.4/10.1①	92,000	162,000	81	41 x 53 x 89	33 x 17.5	32.13 x 17.5	909	20.5	25
8½	YSC102A4*HA0000	10.1	105,000	162,000	81	47 x 53 x 89	33 x 17.5	32.13 x 17.5	986	24.0	30
10	YSC120A4*HA0000	10.2/10.1①	118,000	205,500	81	47 x 53 x 89	33 x 17.5	32.13 x 17.5	1074	26.9	35
YSC –575/3/60 – Three Phase – High Heat											
3	YSC036AW*HA0000	10.7	37,400	96,000	81	36 x 43 x 69	18 x 15.5	24 x 14	465	7.7	15
4	YSC048AW*HA0000	10.0	49,200	96,000	81	36 x 43 x 69	18 x 15.5	24 x 14	495	9.8	15
5	YSC060AW*HA0000	10.2	63,100	104,000	81	36 x 43 x 69	18 x 15.5	24 x 14	512	12.2	15
3	YSC036EW*HA0000	13.0	37,150	96,000	80	36 x 43 x 69	18 x 15.5	12 x 14	607	8.0	15
4	YSC048EW*HA0000	13.0	49,450	96,000	80	36 x 43 x 69	18 x 15.5	12 x 14	638	9.0	15
5	YSC060EW*HA0000	13.0	62,270	104,000	80	36 x 43 x 69	18 x 15.5	12 x 14	688	10.1	15
6	YSC072EW*HA0000	11.2	75,000	121,500	81	41 x 53 x 89	33 x 17.5	32.13 x 17.5	936	12.7	20
7½	YSC092EW*HA0000	11.2	94,000	162,000	81	41 x 53 x 89	33 x 17.5	32.13 x 17.5	1059	15.9	20
8½	YSC102EW*HA0000	11.2	102,000	162,000	81	47 x 53 x 89	33 x 17.5	32.13 x 17.5	1096	17.5	20
10	YSC120EW*HA0000	10.6	118,000	205,500	81	47 x 53 x 89	33 x 17.5	32.13 x 17.5	1201	21.2	25
6	YSC072AW*HA0000	10.2/10.1①	75,000	121,500	81	41 x 53 x 89	33 x 17.5	32.13 x 17.5	822	12.8	20
7½	YSC090AW*HA0000	10.3	92,000	162,000	81	41 x 53 x 89	33 x 17.5	32.13 x 17.5	907	17.6	25
7½	YSC092AW*HA0000	10.4/10.1①	92,000	162,000	81	41 x 53 x 89	33 x 17.5	32.13 x 17.5	909	15.5	20
8½	YSC102AW*HA0000	/10.1	105,000	162,000	81	47 x 53 x 89	33 x 17.5	32.13 x 17.5	986	19.5	25
10	YSC120AW*HA0000	10.2/10.1①	118,000	205,500	81	47 x 53 x 89	33 x 17.5	32.13 x 17.5	1074	21.8	25

① Downflow Airflow/Horizontal Airflow

② SEER applies, 3-5 tons; EER applies 6-10 tons.

③ Digit 7 - A=R-22, E=410A.

* Digit 9-E=Electromechanical or R=ReliaTel™.

** Information subject to change. Please confirm with current Product Data/Service Facts for current factory production.

Packaged Gas/Electric Convertible 6-10 Tons, High Efficiency

Table PG-16-A — Base Unit — High Efficiency — Electromechanical or ReliaTel™

Tons	Unit Ordering No.	Performance [Ⓢ] SEER/EER	Cooling Capacity(Btuh)	Heating Output [Ⓢ]		AFUE%	Cabinet Dimensions (in.) H x W x L	Downflow Supply	Downflow Return	Shipping Weight (lbs.)	MCA**	Max. Fuse**
				Capacity (Btuh)	Capacity (Btuh)							
YHC -208-230/3/60 – Three Phase – Low Heat												
6	YHC072A3*LA0000	11.5/11.3 [Ⓢ]	73,000	64,800	81	41 x 53 x 89	33 x 17.5	32.13 x 17.5	859	34.8	50	
7½	YHC092A3*LA0000	11.5/11.3 [Ⓢ]	94,000	97,200	81	46 x 53 x 89	33 x 17.5	32.13 x 17.5	909	38.1	50	
8½	YHC102A3*LA0000	11.5/11.3 [Ⓢ]	103,000	97,200	81	46 x 53 x 89	33 x 17.5	32.13 x 17.5	1044	42.3	50	
10	YHC120A3*LA0000	11.2/10.7 [Ⓢ]	117,000	121,500	81	46 x 53 x 89	33 x 17.5	32.13 x 17.5	1147	48.6	60	
YHC -460/3/60 – Three Phase – Low Heat												
6	YHC072A4*LA0000	11.5/11.3 [Ⓢ]	73,000	64,800	81	41 x 53 x 89	33 x 17.5	32.13 x 17.5	859	17.5	25	
7½	YHC092A4*LA0000	11.5/11.3 [Ⓢ]	94,000	97,200	81	46 x 53 x 89	33 x 17.5	32.13 x 17.5	909	19.4	25	
8½	YHC102A4*LA0000	11.5/11.3 [Ⓢ]	103,000	97,200	81	46 x 53 x 89	33 x 17.5	32.13 x 17.5	1044	21.4	25	
10	YHC120A4*LA0000	11.2/10.7 [Ⓢ]	117,000	121,500	81	46 x 53 x 89	33 x 17.5	32.13 x 17.5	1147	25.3	30	
YHC -575/3/60 – Three Phase – Low Heat												
6	YHC072AW*LA0000	11.5/11.3 [Ⓢ]	73,000	64,800	81	41 x 53 x 89	33 x 17.5	32.13 x 17.5	859	13.5	20	
7½	YHC092AW*LA0000	11.5/11.3 [Ⓢ]	94,000	97,200	81	46 x 53 x 89	33 x 17.5	32.13 x 17.5	909	14.8	15	
8½	YHC102AW*LA0000	11.5/11.3 [Ⓢ]	103,000	97,200	81	46 x 53 x 89	33 x 17.5	32.13 x 17.5	1044	16.6	20	
10	YHC120AW*LA0000	11.2/10.7 [Ⓢ]	117,000	121,500	81	46 x 53 x 89	33 x 17.5	32.13 x 17.5	1147	19.9	25	
YHC -208-230/3/60 – Three Phase – Medium Heat												
6	YHC072A3*MA0000	11.5/11.3 [Ⓢ]	73,000	97,200	81	41 x 53 x 89	33 x 17.5	32.13 x 17.5	859	34.8	50	
7½	YHC092A3*MA0000	11.5/11.3 [Ⓢ]	94,000	121,500	81	46 x 53 x 89	33 x 17.5	32.13 x 17.5	909	38.1	50	
8½	YHC102A3*MA0000	11.5/11.3 [Ⓢ]	103,000	121,500	81	46 x 53 x 89	33 x 17.5	32.13 x 17.5	1044	42.3	50	
10	YHC120A3*MA0000	11.2/10.7 [Ⓢ]	117,000	162,000	81	46 x 53 x 89	33 x 17.5	32.13 x 17.5	1147	48.6	60	
YHC -460/3/60 – Three Phase – Medium Heat												
6	YHC072A4*MA0000	11.4/11.0 [Ⓢ]	73,000	97,200	81	41 x 53 x 89	33 x 17.5	32.13 x 17.5	859	17.5	25	
7½	YHC092A4*MA0000	11.4/11.0 [Ⓢ]	94,000	121,500	81	46 x 53 x 89	33 x 17.5	32.13 x 17.5	909	19.4	25	
8½	YHC102A4*MA0000	11.4/11.0 [Ⓢ]	103,000	121,500	81	46 x 53 x 89	33 x 17.5	32.13 x 17.5	1044	21.4	25	
10	YHC120A4*MA0000	11.3/10.8 [Ⓢ]	117,000	162,000	81	46 x 53 x 89	33 x 17.5	32.13 x 17.5	1147	25.3	30	
YHC -575/3/60 – Three Phase – Medium Heat												
6	YHC072AW*MA0000	11.4/11.0 [Ⓢ]	73,000	97,200	81	41 x 53 x 89	33 x 17.5	32.13 x 17.5	859	13.5	20	
7½	YHC092AW*MA0000	11.4/11.0 [Ⓢ]	94,000	121,500	81	46 x 53 x 89	33 x 17.5	32.13 x 17.5	909	14.8	15	
8½	YHC102AW*MA0000	11.4/11.0 [Ⓢ]	103,000	121,500	81	46 x 53 x 89	33 x 17.5	32.13 x 17.5	1044	16.6	20	
10	YHC120AW*MA0000	11.3/10.8 [Ⓢ]	117,000	162,000	81	46 x 53 x 89	33 x 17.5	32.13 x 17.5	1147	19.9	25	
YHC -208-230/3/60 – Three Phase – High Heat												
6	YHC072A3*HA0000	11.4/11.0 [Ⓢ]	73,000	121,500	81	41 x 53 x 89	33 x 17.5	32.13 x 17.5	859	34.8	50	
7½	YHC092A3*HA0000	11.4/11.0 [Ⓢ]	94,000	162,000	81	46 x 53 x 89	33 x 17.5	32.13 x 17.5	909	38.1	50	
8½	YHC102A3*HA0000	11.4/11.0 [Ⓢ]	103,000	162,000	81	46 x 53 x 89	33 x 17.5	32.13 x 17.5	1044	42.3	50	
10	YHC120A3*HA0000	11.3/10.8 [Ⓢ]	117,000	202,500	81	46 x 53 x 89	33 x 17.5	32.13 x 17.5	1147	48.6	60	
YHC -460/3/60 – Three Phase – High Heat												
6	YHC072A4*HA0000	11.4/11.0 [Ⓢ]	73,000	121,500	81	41 x 53 x 89	33 x 17.5	32.13 x 17.5	859	17.5	25	
7½	YHC092A4*HA0000	11.4/11.0 [Ⓢ]	94,000	162,000	81	46 x 53 x 89	33 x 17.5	32.13 x 17.5	909	19.4	25	
8½	YHC102A4*HA0000	11.4/11.0 [Ⓢ]	102,000	162,000	81	46 x 53 x 89	33 x 17.5	32.13 x 17.5	1044	21.4	25	
10	YHC120A4*HA0000	11.3/10.8 [Ⓢ]	116,000	202,500	81	46 x 53 x 89	33 x 17.5	32.13 x 17.5	1147	25.3	30	
YHC -575/3/60 – Three Phase – High Heat												
6	YHC072AW*HA0000	11.4/11.0 [Ⓢ]	73,000	121,500	81	41 x 53 x 89	33 x 17.5	32.13 x 17.5	859	13.5	20	
7½	YHC092AW*HA0000	11.4/11.0 [Ⓢ]	94,000	162,000	81	46 x 53 x 89	33 x 17.5	32.13 x 17.5	909	14.8	15	
8½	YHC102AW*HA0000	11.4/11.0 [Ⓢ]	103,000	162,000	81	46 x 53 x 89	33 x 17.5	32.13 x 17.5	1044	16.6	20	
10	YHC120AW*HA0000	11.3/10.8 [Ⓢ]	117,000	202,500	81	46 x 53 x 89	33 x 17.5	32.13 x 17.5	1147	19.9	25	

Ⓢ Downflow Airflow/Horizontal Airflow

Ⓢ SEER applies, 3-5 tons; EER applies 6-10 tons.

* Digit 9-E=Electromechanical or R=ReliaTel™.

** Information subject to change. Please confirm with current Product Data/Service Facts for current factory production.

Packaged Gas/Electric Convertible 3-10 Tons (Model Digit Numbers)

Digit	Description	Order Number	Digit	Description	Order Number
1-8	Main Assembly (see previous page)		18	Through the Base Provisions	
9	Unit Controls			No Through the Base Provisions	0
	Electromechanical	E		Through the Base Electric ^⑤	A
	ReliaTel™ Micro-processor	R		Through the Base Gas	B
10	Heating Capacity			Through the Base Gas and Electric ^②	C
	Low	L	19	Disconnect/Circuit Breaker/Phase Monitor (3 phase only)	
	Medium	M		No Disconnect Circuit Breaker/No Phase Monitor	0
	High	H		Unit Mounted Non-Fused Disconnect ^⑤	1
	Low - Stainless Steel Heat Exchanger	X		Unit Mounted Circuit Breaker ^⑥	2
	Medium - Stainless Steel Heat Exchanger	Y		Phase Monitor ^⑦	3
	High - Stainless Steel Heat Exchanger	Z		Phase Monitor ^⑦ & Non-Fused Disconnect Switch ...	4
11	Minor Design Sequence			Phase Monitor ^⑦ & Circuit Breaker	5
	First Sequence	A	20	Convenience Outlet	
12-13	Service Sequence			No Convenience Outlet	0
	First Sequence (Factory assigned)	* *		Unpowered Convenience Outlet	A
14	Fresh Air Selection			Powered Convenience Outlet (3 phase only) ^②	B
	No Fresh Air	0	21	Communications Options^⑦	
	0-50% Manual Outside Air Damper ^⑧	A		No Communications Interface	0
	0-50% Motorized Outside Air Damper	B		Comm 3/4 Communications Interface	1
	0-100% Economizer, Dry Bulb without			Novar 2024 Controls	3
	Barometric Relief ^②	C		Novar 3051 Controls	4
	0-100% Economizer, Dry Bulb with		22	Refrigeration System Option	
	Barometric Relief ^②	D		Standard Refrigeration System ^④	0
	0-100% Economizer, Reference Enthalpy			Thermal Expansion Value (TXV) ^④	A
	without Barometric Relief ^{①②}	E		Dehumidification (Hot Gas Reheat Coil) ^⑤	B
	0-100% Economizer, Reference Enthalpy		23	Refrigeration Controls	
	with Barometric Relief ^{①②}	F		No Refrigeration Control	0
	0-100% Economizer, Comparative Enthalpy			Frostat ^⑨	2
	without Barometric Relief ^{①②}	G		Crankcase Heater	3
	0-100% Economizer, Comparative Enthalpy			Frostat ^⑨ and Crankcase Heater ^⑩	6
	with Barometric Relief ^{①②}	H	24	Smoke Detector^{⑦⑩}	
15	Supply Fan/Drive Type/Motor			No Smoke Detector	0
	Standard Drive	0		Return Air Smoke Detector ^{⑩⑪}	A
	Oversized Motor	1		Supply Air Smoke Detector	B
	Optional Belt Drive Motor (3 phase only)	2		Supply and Return Air Smoke Detectors ^{⑩⑪}	C
16	Hinged Service Access & Filters		25	Monitoring Controls^⑦	
	Standard Panels & Filters	0		No Monitoring Control ^⑩	0
	Hinged Access Panels & Standard Filters	A		Clogged Filter Switch ^⑩	1
	Standard panels & 2" Pleated Filters	B		Fan Failure Switch ^⑩	2
	Hinged Access Panels & 2" Pleated Filters	C		Discharge Air Sensing Tube ^⑩	3
17	Condenser Coil Protection			Clogged Filter Switch and Fan Fail Switch ^⑩	4
	Standard Coil	0		Clogged Filter Switch and Discharge	
	Standard Coil with Hail Guard	1		Air Sensing Tube ^⑩	5
	Black Epoxy Pre-Coated Condenser Coil	2		Fan Fail Switch and Discharge Air Sensing Tube ^⑩	6
	Black Epoxy Pre-Coated Condenser Coil			Clogged Filter and Fan Fail Switches	
	with Hail Guard	3		and Discharge Air Sensing Tube ^⑩	7
	Complete Coat™ Condenser Coil			Novar Return Air Sensor ^⑩	8
	Complete Coat™ Condenser Coil with Hail Guard				

① Enthalpy control not available factory installed with electro-mechanical controls.
 ② Economizer with Barometric Relief is for downflow configured units only. Order Economizer without Barometric Relief for horizontal configuration. Barometric relief for horizontal configured units must be ordered as field installed accessory BAYBARM010A.
 ③ Requires use of Disconnect or Circuit Breaker.
 ④ Standard refrigeration metering device - short orifice.
 ⑤ Frostat cannot be field installed in electro-mechanical units.
 ⑥ High Pressure control is standard on 3 phase units with scroll compressors and in YSC036A.
 ⑦ Not available with BAYFRST001A High Temperature Stat accessory.
 ⑧ The return air smoke detector may not fit up or work properly on the Convertible units when used in conjunction with 3rd party accessories such as bolt on heat wheels, economizers and power exhaust. Do not order the return air smoke detectors when using this type of accessory.

⑨ Return Air Smoke Detector cannot be ordered with Novar Controls.
 ⑩ These options are standard when ordering Novar Controls.
 ⑪ This option is used when ordering Novar Controls.
 ⑫ Includes gas piping and shutoff (field assembly required).
 ⑬ The manual outside air damper will ship factory supplied within the unit, but must be field installed.
 ⑭ Requires Selection of 2" Pleated Filters (Option B or C) for Digit 16.
 ⑮ Through the base electric required when ordering disconnect/circuit breaker options.
 ⑯ Phase Monitor is standard on T/Y/WSC060A3,4,W models. All other models phase monitor will be an option.
 ⑰ Not available with electro-mechanical controls.

Table PG-18-A — Accessories

Model Number	Description	Used With [®]
BAYABRD001C ^⑤	ReliaTel™ Options Module	See Note ^⑤
BAYASCT001 ^{⑥⑧}	Anti-Short-Cycle Timer	Y*C033-063(A or E), Y*C072-120A_E
BAYBARM011A ^⑦	Barometric Relief	Y*C072-120A, YHC048E-060E
BAYBARM010A ^⑦	Barometric Relief	Y*C033-063(A or E)
BAYCCHT010B	Crankcase Heater	YSC048-060(A or E), YSC072A1, A3, Y*C092-120A3, YHC033-063A3, 072A1, A3
BAYCCHT011B	Crankcase Heater	YSC048-060(A or E), YSC072A4, AW, Y*C092-120A4, AW, YHC033-063A4, 072A4, AW
BAYCCHT012A	Crankcase Heater	Y*C090A3
BAYCCHT013A	Crankcase Heater	Y*C090A4
BAYCCHT014A	Crankcase Heater	Y*C090AW
AYSTAT712A ^{⑤⑩}	CO ² Sensor Kit, Wall Mounted	Y*C033-063(A or E), Y*C072-120A_R
AYSTAT714A ^{⑤⑩}	CO ² Sensor Kit, Duct Mounted	Y*C033-063(A or E), Y*C072-120A_R
BAYCURB042A ^④	Roof Curb	Y*C033-063(A or E)
BAYCURB043A ^④	Roof Curb	Y*C072-120A, YHC048E-060E
BAYDFPS003B ^{⑤⑥}	Clogged Filter Switch	Y*C033-063(A or E), Y*C072-120A_R
BAYDFPS004A ^{⑤⑥}	Fan Failure Switch	Y*C033-063(A or E), Y*C072-120A_R
BAYDMPR051A ^⑨	0-50% Motorized Outside Air Damper	Y*C033-063(A or E)
BAYDMPR052A ^⑨	0-50% Motorized Outside Air Damper	Y*C033-063(A or E)_E
BAYDMPR053B ^⑨	0-50% Manual Outside Air Damper	Y*C033-063(A or E)
BAYDMPR054A ^⑨	0-50% Motorized Outside Air Damper	Y*C072-120A_R, YHC048E-060E
BAYDMPR055A ^⑨	0-50% Motorized Outside Air Damper	Y*C072-120A_E, YHC048E-060E
BAYDMPR056B ^⑨	0-50% Manual Outside Air Damper	Y*C072-120A, YHC048E-060E
BAYECON085A ^⑤	0-100% Dry Bulb Economizer without Barometric Relief	Y*C033-063(A or E)_R
BAYECON086A ^⑤	0-100% Dry Bulb Economizer without Barometric Relief	Y*C033-063(A or E)_E
BAYECON087A ^⑤	0-100% Dry Bulb Economizer without Barometric Relief	Y*C072-120A_R, YHC048E-060E
BAYECON088A ^⑤	0-100% Dry Bulb Economizer without Barometric Relief	Y*C072-120A_E, YHC048E-060E
BAYENTH005A ^①	Reference Enthalpy Kit	BAYECON085A, 087A
BAYENTH006B ^①	Comparative Enthalpy Kit	BAYECON085A, 087A
BAYENTH001A	Enthalpy Control (Solid State)	BAYECON086A, 088A
BAYFRST001A ^{⑤⑥}	High Temperature Stat	Y*C033-063(A or E), Y*072-120A_E
BAYGARD036B	Condenser Coil Hail Guard	YSC036-060(A or E)**L,M, YHC033-048(A or E)**L,M
BAYGARD037B	Condenser Coil Hail Guard	YSC036-060(A or E)**H, YHC033-048(A or E)**H, YHC063(A or E)**L,M,H
BAYGARD040B	Condenser Coil Hail Guard	YSC072A, 090A, 092A, YHC072A, YHC048E-060E
BAYGARD041B	Condenser Coil Hail Guard	YSC102A, 120A, YHC092, 102A, 120A
BAYHAKT010B	High Altitude Kit	Y*C033-063(A or E), Y*C072-120A
BAYHSDR012A	High Static Drive Kit	Y*C072A, YSC090, 092A
BAYHSMT073A	.45 HP Oversized motor kit	Y*C033-036A1, A3
BAYHSMT074A	.45 HP Oversized motor kit	Y*C033-036A4
BAYHSMT075A	.45 HP Oversized motor kit	Y*C033-036AW
BAYHSMT076A	.75 HP Oversized motor kit	Y*C043-048A1, A3
BAYHSMT077A	.75 HP Oversized motor kit	Y*C043-048A4
BAYHSMT078A	.75 HP Oversized motor kit	Y*C043-048AW
BAYHSMT079A	1.2 HP Oversized motor kit	Y*C060-063A1, A3
BAYHSMT080A	1.2 HP Oversized motor kit	Y*C060-063A4
BAYHSMT081A	1.2 HP Oversized motor kit	Y*C060-063AW
BAYHSMT082A	2 HP Oversized motor kit	Y*C072A3, A4
BAYHSMT083A	2 HP Oversized motor kit	Y*C072AW
BAYHSMT084B	3 HP Oversized motor kit	YSC090, 092A3, A4
BAYHSMT085B	3 HP Oversized motor kit	YSC090, 092AW
BAYHSMT086A	3 HP Oversized motor kit	Y*C102A3, A4, YHC092A3, A4
BAYHSMT087A	3 HP Oversized motor kit	Y*C102AW, YHC092AW
BAYHSMT088A	5 HP Oversized motor kit	Y*C120A3, A4
BAYHSMT089A	5 HP Oversized motor kit	Y*C120AW
BAYICSI003A ^{⑥⑩}	Comm 3/4 Communications Interface (TCI)	Y*C033-063(A or E), Y*C072-120A_R
BAYSKT255A	Quick Start Kit	YSC048-060(A or E)1
BAYSKT256A	Quick Start Kit	YSC033-036(A or E)1
BAYLOAM020B ^{②⑥}	Evaporator Defrost Control (Frostat)	Y*C033-063(A or E)_R
BAYLPKT028B	LP Conversion Kit	Y*C033-063(A or E), Y*C072L,M, Y*C090L, 092L, Y*C102L
BAYLPKT029A	LP Conversion Kit	Y*C072A**H, Y*C090, 092, 102A**M,H, Y*C120A**L,M,H
BAYPWRX026A ^②	Power Exhaust	Y*C072-120A3
BAYPWRX027A ^②	Power Exhaust	Y*C072-120A4
BAYPWRX028A ^②	Power Exhaust	Y*C072-120AW
BAYQACB009A ^{④⑨}	Quick Adapt Curb	Y*C033-063(A or E)
BAYQACB010A ^{④⑨}	Quick Adapt Curb	Y*C033-063(A or E)
BAYQACB011A ^{④⑨}	Quick Adapt Curb	Y*C072-120A
BAYQACB012A ^{④⑨}	Quick Adapt Curb	Y*C072-120A
BAYQACB013A ^{④⑨}	Quick Adapt Curb	Y*C072-120A
BAYSENS016A ^⑤	Temperature Sensor	Y*C033-063(A or E), Y*C072-120A_R
BAYSERV001A ^⑤	Selective Resistance Service Tester	Y*C033-063(A or E)_R
BAYSTAT023 ^⑤	Remote Potentiometer	BAYECON085A
BAYTUBE004A ^{⑤③⑥}	Discharge Air Sensing Kit	Y*C033-063(A or E)_R
BAYTUBE006A ^{⑤③⑥}	Discharge Air Sensing Kit	Y*C033-063(A or E), Y*C072-120A_R
BAYVNOR001B ^{⑤④⑥}	Ventilation Override Kit	Y*C033-063(A or E), Y*C072-120A_R

① Kits contain all necessary parts to achieve desired level of enthalpy control.
 ② For use with ReliaTel™ microprocessor controlled units only. Must be factory installed for Electromechanical controlled units.
 ③ Used for true discharge air sensing in both heating and cooling. Required for supply air tempering.
 ④ Lynn Haven Manufacturing has a No-Return policy for this roof curb.
 ⑤ For use with ReliaTel™ controlled units only.
 ⑥ Cannot be used in conjunction with factory installed Smoke Detector option.
 ⑦ Installs in ductwork for horizontal configuration. For downflow configuration, it installs in the unit's horizontal return duct. See Installer's Guide for more information.

⑧ BAYABRD001C is required when ordering field installed accessories Clogged Filter Switch (BAYDFPS003A), Fan Fail Switch (BAYDFPS004A), Discharge Air Sensing Kit (BAYTUBE004A or BAYTUBE005A) or Evaporator Defrost Control (Frostat) (BAYLOAM020B) Ventilation Override Kit (BAYVNOR001B) unless the following options are factory installed: Frostat, Smoke Detector, Clogged Filter Switch, Fan Failure Switch, Discharge Air Sensing Kit. **These factory installed options include the ReliaTel™ Options Module.**
 ⑨ BAYQACB009A adapts BAYCURB021B to accept Convertible 3-5 ton unit. BAYQACB010A adapts BAYCURB022B to accept Convertible 3-5 ton unit. BAYQACB012A adapts BAYCURB025B to accept Convertible 6-10 ton unit. BAYQACB013A adapts BAYCURB026B to accept Convertible 6-10 ton unit. BAYQACB011A adapts BAYCURB022B to accept Convertible 6-10 ton unit.

⑩ Electromechanical controlled units only
 ⑪ Interface allows 3-10 ton units with ReliaTel™ Controls to communicate with Tracer 100, Tracker, VariTrac II, and is the preferred method of communication to Tracer Summit.
 ⑫ Power Exhaust cannot be used with Barometric Relief. Order Economizer without Barometric Relief.
 ⑬ Activated on Power on.
 ⑭ Field installed accessory. Requires an economizer.
 ⑮ The manual outside air damper will ship factory supplied within the unit, but must be field installed.
 ⑯ A=R-22, E=410A

Table PG-19-A — Zone Sensors for ReliaTel™ Controlled Units

Model Number	Description	Used with
ASYSTAT106A	Single Setpoint Manual Changeover	Y*C036-120A_R
ASYSTAT108A	Dual Setpoint Manual or Auto Changeover	Y*C036-120A_R
ASYSTAT666C	Programmable Night Setback with System Function Lights	Y*C036-120A_R
ASYSTAT111A	Remote Room Sensor	ASYSTAT661B,663B,ASYSTAT666C
ASYSTAT708A	Dual Thermistor Remote Zone Sensor	Y*036-120A_R
ASYSTAT709A	Digital Display Zone Sensor	Y*036-120A_R
ASYSTAT710A	Wall Mounted Humidity Sensor	Y*036-120A_R
ASYSTAT711A	Duct Mounted Humidity Sensor	Y*036-120A_R
BAYMTPL003B	Retrofit Wall Cover Plate Kit 7.25" x 6.0"	ASYSTAT666C
BAYMTPL004A	Retrofit Wall Cover Plate Kit 4.75" x 4.75"	ASYSTAT661B,663B,ASYSTAT669A

Table PG-19-B — Thermostats — Electromechanical

Model Number	Description	Used with
AY28X190Ⓢ	Locking Thermostat Cover	Room Thermostats
ACONT200AN11AA	Electronic, 1Htg/1Clg (non-prog)	Y*C033-090A
ASYSTAT090A	2Htg/2Clg Digital Display Programmable Thermostat	Y*C033-120A_R
ASYSTAT092A	1Htg/1Clg w/Digital "TOUCHSCREEN"	Y*C033-120A_R
ASYSTAT093A	3Htg/3Clg Digital Display Programmable Thermostat w/relative Humidity Sensing Built-In (w/Dehumidification Option)	Y*C033-120A_R
ASYSTAT095A	3Htg/2Clg Digital Display Thermostat	Y*C033-120A_R
ASYSTAT800A	Wall Mounted Remote Sensor	ASYSTAT090A,092A,093A

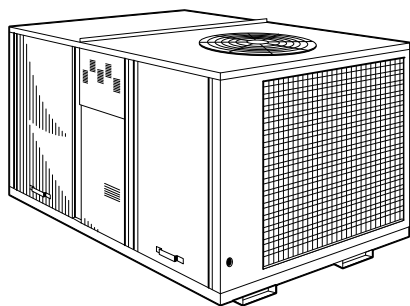
Ⓢ Do not use with Programmable Thermostats.

* Either standard or high efficiency models.

For additional Controls Information:

See ReliaTel™ and Micro Control features on PC-19 and PC-20.

Packaged Gas/Electric with ReliaTel™ Controls 12½-15 Tons, R-22



YCD — Downflow
YCH — Horizontal

- EER up to 11.5
- Scroll compressors on all models
- **ReliaTel™** control features are listed on page PC-19
- Built-in anti-short cycle timer, time delay relay and minimum on time controls
- Low Ambient to 0°F standard
- High efficiency drum and tube heat exchanger
- Color coded and numbered wiring
- Two inch filters on both YCH and YCD to clean air and keep coil maintenance low
- Simple U-shaped airflow pattern results in very low airside energy requirement
- Quick-Access doors and single side access make servicing much faster for lower maintenance costs
- Quick-adjust idler arm pulley. Adjust belt tension, change belts, adjust airflow quickly
- High efficiency gas heat with hot surface ignition for low heating energy costs, low maintenance and high reliability
- IAQ sloped condensate drain pans
- **5-year limited compressor warranty (12½-15 tons)**
- **5-year limited heat exchanger warranty (12½-15 tons)**
- **1-year limited parts warranty**

Table PG-20-A — ReliaTel™ Unit

Tons	Unit Model No.	Power Supply Volts/Phase/Hz	Performance EER(30)	Cooling Capacity (Btuh)	Heating Output Capacity (Btuh)	Dimensions (in.) H x W x L	Shipping Weight (lbs.)	MCA**	Max Fuse Size or Max Circuit Breaker**	Downflow ^④ Roofcurb
12½	YC*150D3L0B	208-230/3/60	9.6	150,000	122,000	50½ x 71½ x 107½	1826	63	80	BAYCURB026B
12½	YC*150D4L0B	460/3/60	9.6	150,000	122,000	50½ x 71½ x 107½	1826	33	40	BAYCURB026B
12½	YC*150DWL0B	575/3/60	9.6	150,000	122,000	50½ x 71½ x 107½	1826	26	30	BAYCURB026B
12½	YC*150D3H0B	208-230/3/60	9.6	150,000	203,000	50½ x 71½ x 107½	1826	63	80	BAYCURB026B
12½	YC*150D4H0B	460/3/60	9.6	150,000	203,000	50½ x 71½ x 107½	1826	33	40	BAYCURB026B
12½	YC*150DWH0B	575/3/60	9.6	150,000	203,000	50½ x 71½ x 107½	1826	26	30	BAYCURB026B
12½	YC*151C3L0B	208-230/3/60	11.3	154,000	122,000	50½ x 71½ x 107½	1915	64	80	BAYCURB026B
12½	YC*151C4L0B	460/3/60	11.3	154,000	122,000	50½ x 71½ x 107½	1915	31	40	BAYCURB026B
12½	YC*151CWL0B	575/3/60	11.3	154,000	122,000	50½ x 71½ x 107½	1915	25	30	BAYCURB026B
12½	YC*151C3H0B	208-230/3/60	11.3	154,000	203,000	50½ x 71½ x 107½	1915	64	80	BAYCURB026B
12½	YC*151C4H0B	460/3/60	11.3	154,000	203,000	50½ x 71½ x 107½	1915	31	40	BAYCURB026B
12½	YC*151CWH0B	575/3/60	11.3	154,000	203,000	50½ x 71½ x 107½	1915	25	30	BAYCURB026B
15	YC*180B3L0H	208-230/3/60	9.7	182,000	203,000	50½ x 71½ x 107½	2033	78	90	BAYCURB026B
15	YC*180B4L0H	460/3/60	9.7	182,000	203,000	50½ x 71½ x 107½	2033	39	50	BAYCURB026B
15	YC*180BWL0H	575/3/60	9.7	182,000	203,000	50½ x 71½ x 107½	2033	31	40	BAYCURB026B
15	YC*180B3H0H	208-230/3/60	9.7	182,000	284,000	50½ x 71½ x 107½	2033	78	90	BAYCURB026B
15	YC*180BWH0H	575/3/60	9.7	182,000	284,000	50½ x 71½ x 107½	2033	31	40	BAYCURB026B
15	YC*180B4H0H	460/3/60	9.7	182,000	284,000	50½ x 71½ x 107½	2033	39	50	BAYCURB026B
15	YC*181C3L0C	208-230/3/60	11.5	189,000	203,000	54 x 85½ x 122½	2464	74	90	BAYCURB027B
15	YC*181C4L0C	460/3/60	11.5	189,000	203,000	54 x 85½ x 122½	2464	36	50	BAYCURB027B
15	YC*181CWL0C	575/3/60	11.5	189,000	203,000	54 x 85½ x 122½	2464	29	40	BAYCURB027B
15	YC*181C3H0C	208-230/3/60	11.5	189,000	284,000	54 x 85½ x 122½	2464	74	90	BAYCURB027B
15	YC*181C4H0C	460/3/60	11.5	189,000	284,000	54 x 85½ x 122½	2464	36	50	BAYCURB027B
15	YC*181CWH0C	575/3/60	11.5	189,000	284,000	54 x 85½ x 122½	2464	29	40	BAYCURB027B

Unit Model No.	Supply Downflow W x L ^{①②}	Return Downflow W x L ^{①②}	Supply Horizontal H x W ^{①②}	Return Horizontal H x W ^{①②}	Curb Size H x W x L ^③	Roof Opening W x L ^④
YC*150C			41⅞ x 22½	41⅞ x 17⅞		
YC*150,151, 180	28⅞ x 55½	20⅞ x 63	42½ x 26½	42½ x 24⅞	14⅞ x 66⅞ x 102¼	62½ x 73½
YC*181	28⅞ x 69½	22¼ x 77	46⅞ x 26½	46⅞ x 27⅞	14⅞ x 80⅞ x 117⅞	76½ x 81

Note: L = Low Heat H = High Heat in ninth digit

① Dimensions are in inches. See Outline Dimensions.

② Interior Dimension.

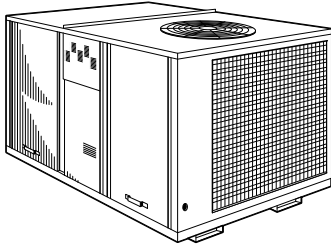
③ Measurement Includes Curb Flange.

④ For Downflow units only.

* Digit 3 D=Downflow or H=Horizontal.

** Information subject to change. Please confirm with current Product Data/Service Facts for current factory production.

Packaged Gas/Electric with ReliaTel™ Controls 17½-25 Tons, R-22



YCD — Downflow
YCH — Horizontal

- EER up to 11.5
- Scroll compressors on all units

- ReliaTel™ control features are listed on page PC-19
- Built-in anti-short cycle timer, time delay relay and minimum on time controls
- Low Ambient to 0°F standard
- High efficiency drum and tube heat exchanger
- Color coded and numbered wiring
- Two inch filters on both YCH and YCD to clean air and keep coil maintenance low
- Simple U-shaped airflow pattern results in very low airside energy requirement
- Quick-Access doors and single side access make servicing much faster for lower maintenance costs
- Quick-adjust idler arm pulley. Adjust belt tension, change belts, adjust airflow quickly
- High efficiency gas heat with hot surface ignition for low heating energy costs, low maintenance and high reliability
- IAQ sloped condensate drain pans
- **5-year limited compressor warranty (17½ tons)**
- **1-year limited compressor warranty (20 and 25 tons)**
- **5-year limited heat exchanger warranty (17½ tons)**
- **1-year limited heat exchanger warranty (20 and 25 tons)**
- **1-year limited parts warranty**

Table PG-21-A — ReliaTel™ Unit

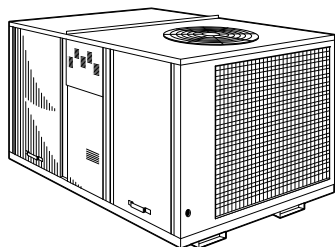
Tons	Unit Model No.	Power Supply Volts/Phase/Hz	Performance EER(30)	Cooling Capacity (Btuh)	Heating Output Capacity (Btuh)	Dimensions (in.) H x W x L	Shipping Weight (lbs.)	MCA**	Max Fuse Size or Max Circuit Breaker**	Downflow④
17½	YC*210C3LOE	208-230/3/60	9.6	210,000	203,000	50⅞ x 71⅝ x 107⅝	2189	88	100	BAYCURB026B
17½	YC*210C4LOE	460/3/60	9.6	210,000	203,000	50⅞ x 71⅝ x 107⅝	2189	44	50	BAYCURB026B
17½	YC*210CWL0E	575/3/60	9.6	210,000	203,000	50⅞ x 71⅝ x 107⅝	2189	35	45	BAYCURB026B
17½	YC*210C3H0E	208-230/3/60	9.6	210,000	284,000	50⅞ x 71⅝ x 107⅝	2189	88	100	BAYCURB026B
17½	YC*210C4H0E	460/3/60	9.6	210,000	284,000	50⅞ x 71⅝ x 107⅝	2189	44	50	BAYCURB026B
17½	YC*210CWH0E	575/3/60	9.6	210,000	284,000	50⅞ x 71⅝ x 107⅝	2189	35	45	BAYCURB026B
17½	YC*211C3LOC	208-230/3/60	11.0	220,000	203,000	54 x 85⅝ x 122⅝	2547	91	110	BAYCURB027B
17½	YC*211C4LOC	460/3/60	11.0	220,000	203,000	54 x 85⅝ x 122⅝	2547	44	60	BAYCURB027B
17½	YC*211CWL0C	575/3/60	11.0	220,000	203,000	54 x 85⅝ x 122⅝	2547	35	45	BAYCURB027B
17½	YC*211C3H0C	208-230/3/60	11.0	220,000	284,000	54 x 85⅝ x 122⅝	2547	91	110	BAYCURB027B
17½	YC*211C4H0C	460/3/60	11.0	220,000	284,000	54 x 85⅝ x 122⅝	2547	44	60	BAYCURB027B
17½	YC*211CWH0C	575/3/60	11.0	220,000	284,000	54 x 85⅝ x 122⅝	2547	35	45	BAYCURB027B
20	YC*240B3LOJ	208-230/3/60	9.5	242,000	203,000	54 x 85⅝ x 122⅝	2547	100	125	BAYCURB027B
20	YC*240B4LOJ	460/3/60	9.5	242,000	203,000	54 x 85⅝ x 122⅝	2547	50	60	BAYCURB027B
20	YC*240BWL0J	575/3/60	9.5	242,000	203,000	54 x 85⅝ x 122⅝	2547	40	45	BAYCURB027B
20	YC*240B3H0J	208-230/3/60	9.5	242,000	324,000	54 x 85⅝ x 122⅝	2547	100	125	BAYCURB027B
20	YC*240B4H0J	460/3/60	9.5	242,000	324,000	54 x 85⅝ x 122⅝	2547	50	60	BAYCURB027B
20	YC*240BWH0J	575/3/60	9.5	242,000	324,000	54 x 85⅝ x 122⅝	2547	40	45	BAYCURB027B
20	YC*241C3LOC	208-230/3/60	10.6	268,000	203,000	54 x 85⅝ x 122⅝	2645	99	125	BAYCURB027B
20	YC*241C4LOC	460/3/60	10.6	268,000	203,000	54 x 85⅝ x 122⅝	2645	50	60	BAYCURB027B
20	YC*241CWL0C	575/3/60	10.6	268,000	203,000	54 x 85⅝ x 122⅝	2645	40	50	BAYCURB027B
20	YC*241C3H0C	208-230/3/60	10.6	268,000	324,000	54 x 85⅝ x 122⅝	2645	99	125	BAYCURB027B
20	YC*241C4H0C	460/3/60	10.6	268,000	324,000	54 x 85⅝ x 122⅝	2645	50	60	BAYCURB027B
20	YC*241CWH0C	575/3/60	10.6	268,000	324,000	54 x 85⅝ x 122⅝	2645	40	50	BAYCURB027B
25	YC*300B3LOH	208-230/3/60	9.7	290,000	203,000	54 x 85⅝ x 122⅝	2541	118	150	BAYCURB027B
25	YC*300B4LOH	460/3/60	9.7	290,000	203,000	54 x 85⅝ x 122⅝	2541	58	70	BAYCURB027B
25	YC*300BWL0H	575/3/60	9.7	290,000	203,000	54 x 85⅝ x 122⅝	2541	46	50	BAYCURB027B
25	YC*300B3H0H	208-230/3/60	9.7	290,000	324,000	54 x 85⅝ x 122⅝	2541	118	150	BAYCURB027B
25	YC*300B4H0H	460/3/60	9.7	290,000	324,000	54 x 85⅝ x 122⅝	2541	58	70	BAYCURB027B
25	YC*300BWH0H	575/3/60	9.7	290,000	324,000	54 x 85⅝ x 122⅝	2541	46	50	BAYCURB027B
25	YC*301C3LOC	208-230/3/60	10.4	300,000	203,000	54 x 85⅝ x 122⅝	2650	120	150	BAYCURB027B
25	YC*301C4LOC	460/3/60	10.4	300,000	203,000	54 x 85⅝ x 122⅝	2650	58	70	BAYCURB027B
25	YC*301CWL0C	575/3/60	10.4	300,000	203,000	54 x 85⅝ x 122⅝	2650	47	60	BAYCURB027B
25	YC*301C3H0C	208-230/3/60	10.4	300,000	324,000	54 x 85⅝ x 122⅝	2650	120	150	BAYCURB027B
25	YC*301C4H0C	460/3/60	10.4	300,000	324,000	54 x 85⅝ x 122⅝	2650	58	70	BAYCURB027B
25	YC*301CWH0C	575/3/60	10.4	300,000	324,000	54 x 85⅝ x 122⅝	2650	47	60	BAYCURB027B

Unit Model No.	Supply Downflow W x L②③	Return Downflow W x L②③	Supply Horizontal H x W②③	Return Horizontal H x W②③	Curb Size H x W x L③	Roof Opening W x L②③
YC*210	28⅞ x 55⅞	20⅞ x 63	42⅞ x 26⅞	42⅞ x 24⅞	14⅞ x 66⅞ x 102⅞	62⅞ x 73⅞
YC*211, 240, 241, 300	28⅞ x 69⅞	22⅞ x 77	46⅞ x 26⅞	46⅞ x 27⅞	14⅞ x 80⅞ x 117⅞	76⅞ x 81

Note: L = Low Heat H = High Heat in ninth digit
 ① Dimensions are in inches. See Outline Dimensions.
 ② Interior Dimension.
 ③ Measurement Includes Curb Flange.
 ④ For Downflow units only.
 * Digit 3 D=Downflow or H=Horizontal.

** Information subject to change. Please confirm with current Product Data/Service Facts for current factory production.

Packaged Gas/Electric with ReliaTel™ Controls 12½-25 Tons, R-410A



12½ - 25 Ton YCD-E — Downflow
12½ - 25 Ton YCH-E — Horizontal

- Scroll compressors on all units
- **ReliaTel™** control features are listed on page PC-19
- Operating charge of R-410A
- Built-in anti-short cycle timer, time delay relay and minimum on time controls
- Low Ambient to 0°F standard
- High efficiency drum and tube heat exchanger
- Color coded and numbered wiring
- Two inch throwaway filters on both YCH and YCD to clean air and keep coil maintenance low
- Simple U-shaped airflow pattern results in very low airsides energy requirement
- Quick-Access doors and single side access make servicing much faster for lower maintenance costs
- Quick-adjust idler arm pulley. Adjust belt tension, change belts, adjust airflow quickly
- High efficiency gas heat with hot surface ignition for low heating energy costs, low maintenance and high reliability
- Sloped sheet metal drain pans
- **5-year limited compressor and heat exchanger warranty (12½ -17½ tons)**
- **1-year limited compressor and heat exchanger warranty (20 tons)**

Table PG-22-A — R-410A

Tons	Unit Model No.	Power Supply Volts/Phase/Hz	Performance EER(30)	Cooling Capacity (Btuh)	Heating Output Capacity (Btuh)	Dimensions (in.) H x W x L	Shipping Weight (lbs.)	MCA**	Max Fuse Size or Max CircuitBreaker**	Downflow ^① Roofcurb
12½	YC*150E3L0A	208-230/3/60	11.0	158,000	122,000	50 x 72 x 108	1950	63	80	BAYCURB026B
12½	YC*150E3H0A	208-230/3/60	11.0	158,000	203,000	50 x 72 x 108	2035	63	80	BAYCURB026B
12½	YC*150E4L0A	460/3/60	11.0	158,000	122,000	50 x 72 x 108	1950	33	40	BAYCURB026B
12½	YC*150E4H0A	460/3/60	11.0	158,000	203,000	50 x 72 x 108	2035	33	40	BAYCURB026B
12½	YC*150EWL0A	575/3/60	11.0	158,000	122,000	50 x 72 x 108	1950	26	30	BAYCURB026B
12½	YC*150EWH0A	575/3/60	11.0	158,000	203,000	50 x 72 x 108	2035	26	30	BAYCURB026B
15	YC*180E3L0A	208-230/3/60	11.0	189,000	203,000	54 x 86 x 123	2475	76	90	BAYCURB027B
15	YC*180E3H0A	208-230/3/60	11.0	189,000	284,000	54 x 86 x 123	2475	76	90	BAYCURB027B
15	YC*180E4L0A	460/3/60	11.0	189,000	203,000	54 x 86 x 123	2475	39	50	BAYCURB027B
15	YC*180E4H0A	460/3/60	11.0	189,000	284,000	54 x 86 x 123	2475	39	50	BAYCURB027B
15	YC*180EWL0A	575/3/60	11.0	189,000	203,000	54 x 86 x 123	2475	30	40	BAYCURB027B
15	YC*180EWH0A	575/3/60	11.0	189,000	284,000	54 x 86 x 123	2475	30	40	BAYCURB027B
17½	YC*210E3L0A	208-230/3/60	11.0	211,000	203,000	54 x 86 x 123	2540	88	110	BAYCURB027B
17½	YC*210E3H0A	208-230/3/60	11.0	211,000	284,000	54 x 86 x 123	2540	88	110	BAYCURB027B
17½	YC*210E4L0A	460/3/60	11.0	211,000	203,000	54 x 86 x 123	2540	45	60	BAYCURB027B
17½	YC*210E4H0A	460/3/60	11.0	211,000	284,000	54 x 86 x 123	2540	45	60	BAYCURB027B
17½	YC*210EWL0A	575/3/60	11.0	211,000	203,000	54 x 86 x 123	2540	33	45	BAYCURB027B
17½	YC*210EWH0A	575/3/60	11.0	211,000	284,000	54 x 86 x 123	2540	33	45	BAYCURB027B
20	YC*240E3L0A	208-230/3/60	10.2	256,000	203,000	54 x 86 x 123	2640	113	150	BAYCURB027B
20	YC*240E3H0A	208-230/3/60	10.2	256,000	324,000	54 x 86 x 123	2640	113	150	BAYCURB027B
20	YC*240E4L0A	460/3/60	10.2	256,000	203,000	54 x 86 x 123	2640	49	60	BAYCURB027B
20	YC*240E4H0A	460/3/60	10.2	256,000	324,000	54 x 86 x 123	2640	49	60	BAYCURB027B
20	YC*240EWL0A	575/3/60	10.2	256,000	203,000	54 x 86 x 123	2640	40	50	BAYCURB027B
20	YC*240EWH0A	575/3/60	10.2	256,000	324,000	54 x 86 x 123	2640	40	50	BAYCURB027B
25	YC*300E3L0A	208-230/3/60	9.7	291,000	324,000	54 x 86 x 123	2640	115	125	BAYCURB027B
25	YC*300E3H0A	208-230/3/60	9.7	291,000	324,000	54 x 86 x 123	2640	115	125	BAYCURB027B
25	YC*300E4L0A	460/3/60	9.7	291,000	324,000	54 x 86 x 123	2640	59	70	BAYCURB027B
25	YC*300E4H0A	460/3/60	9.7	291,000	324,000	54 x 86 x 123	2640	59	70	BAYCURB027B
25	YC*300EWL0A	575/3/60	9.7	291,000	324,000	54 x 86 x 123	2640	45	50	BAYCURB027B
25	YC*300EWH0A	575/3/60	9.7	291,000	324,000	54 x 86 x 123	2640	45	50	BAYCURB027B

① For Downflow units only.

* Digit 3 D=Downflow or H=Horizontal.

** Information subject to change. Please confirm with current Product Data/Service Facts for current factory production.

Table PG-23-A — Factory Installed Accessories^{①②}

For Complete list of all Factory Installed Options, please refer to the FIOPS section of this book.

Digit	Description	Order Number	Used With
1-9	Main Assembly (see previous page)		
10	Factory Installed Options		
	No Options	0	YC*150-301
	Downflow Economizer ^③	A	YCD150-301
	Oversized Motor	B	YC*150-241
	Downflow Economizer and Oversized Motor ^③	C	YCD150-241
	Comm 3/4 Communications Interface (TCI) ^④	F	YC*150-301
	Downflow Economizer TCI ^{③④}	G	YCD150-301
	TXV/Face - Split Evaporator	H	YCD151, 181, 211, 241, 301
	Oversized Motor and TXV/Face - Split Evaporator	J	YCD151, 181, 211, 241
	Downflow Economizer, Oversized Motor and TXV/Face Split Evaporator ^③	K	YCD151, 181, 211, 241
	Downflow Economizer with TXV/Face - Split Evaporator ^③	L	YCD151, 181, 211, 241, 301
	Reheat Coil ^⑤	M	YCD151, 181, 241
	Downflow Economizer with Reheat Coil ^{③⑤}	N	YCD151, 181, 241
	Oversized Motor and Reheat Coil ^⑤	P	YCD151, 181, 241
	Downflow Economizer, Oversized Motor and Reheat Coil ^{③⑤}	R	YCD151, 181, 241
11-12	Minor Design and Service Sequence	**	

① Price includes accessory and factory installation.

② Four (4) week shipping approximately.

③ Some field set up required.

④ TCI is for use with non-VariTrac systems and VariTrac systems.

⑤ All 10th digit model numbers including reheat coil (M,N,P,R) require additional factory installed options; ReliaTel™ options module (FIYABRD002B), Froststat (FIYLOAM023A), and 2" pleated filters (FIYPLTD001A, 002A, or 003A refer to FIOPS section for appropriate model number usage). For these or any Factory Installed Options not included in 10th digit model number, digits 1-3 must be YFD.

Table PG-24-A — Field Installed Accessories — For complete list of of All Factory Installed Options refer to FIOPS section of this book.

Model Number	Description	Used With
BAYABRD002B [Ⓢ]	ReliaTel™ Options Module	YCD/YCH150-301,150-300E
ASYSTAT713A [Ⓢ]	CO ² Sensor Wall Mounted	YC*150-301 w/Economizer
ASYSTAT715A [Ⓢ]	CO ² Sensor Duct Mounted	YC*150-301 w/Economizer
BAYCURB026B [Ⓢ]	Downflow Only Roof Curb	YCD150D,151C,180B,210C,150E
BAYCURB027B [Ⓢ]	Downflow Only Roof Curb	YCD181C,211-301,YC*180E,210E,240E,300E
BAYDFPS005A [Ⓢ]	Clogged Filter Switch	YCD/YCH (12½-25 Tons)
BAYDFPS006A [Ⓢ]	Fan Failure Switch	Economizers/0-50% Motorized Outside Air Dampers
BAYDMPR029C	0-25% Manual Outside Air Damper	YCD/YCH (12½-25 Tons)
BAYDMPR057A	0-50% Motorized Outside Air Damper	YCD/YCH150D, 151C,180B,210C,150E,210-240E
BAYDMPR058A	0-50% Motorized Outside Air Damper	YCD/YCH181,211-301,YC*180E,210E,240E,300E
BAYECON089A [Ⓢ]	Downflow Economizer with Barometric Relief	YCD150D,151C,180B,YCD210C,150E,180E
BAYECON090A [Ⓢ]	Downflow Economizer with Barometric Relief	YCD181C,211C,240B,241C,300B,301C, YCD180E,210E,240E,300E
BAYECON091A	Horizontal Economizer	YCH150D,151C,180B,210C,150E
BAYECON092A	Horizontal Economizer	YCH181C,211-301,180E,210E,240E,300E
BAYENTH007A [Ⓢ]	Reference Enthalpy Kit	All BAYECON089A-092A,YC*150-240E
BAYENTH008A [Ⓢ]	Comparative Enthalpy Kit	All BAYECON089A-092A,YC*150-240E
BAYFRST003A	High Temperature Stat	YCD/YCH150D,150-240E
BAYGARD043B [Ⓢ]	Tool-less Hail Guard	YC*150D
BAYGARD044B [Ⓢ]	Tool-less Hail Guard	YC*151C,180B,210C,150E
BAYGARD045A [Ⓢ]	Tool-less Hail Guard	YC*181C,211C,240B,241C,301C,YC*180E,210E,240E
BAYGARD047A [Ⓢ]	Tool-less Hail Guard	YC*300B,E
BAYHSDR002B [Ⓢ]	High Static Drive	YCD/YCH151C
BAYHSDR005B [Ⓢ]	High Static Drive	YCD/YCH150D,180B,211C,240B,241C,150-240E
BAYHSDR010A	High Static Drive	YCD/YCH300B,301C,300E
BAYHSDR011A	High Static Drive	YCD/YCH181C,180E
BAYHSMT039B [Ⓢ]	5 HP Oversized Motor Kit	YCD/YCH150D,151C,180B,150E,180E
BAYHSMT040B [Ⓢ]	5 HP Oversized Motor Kit	YCD/YCH150DW,YCD/YCH150E,180E
BAYHSMT042A [Ⓢ]	7-1/2HP Oversized Motor Kit (575V)	YC*211C, 240B,E,241CW
BAYHSMT055B [Ⓢ]	5HP Oversized Motor Kit	YCD/YCH181C
BAYHSMT059A [Ⓢ]	7-1/2HP Oversized Motor Kit (230V)	YCD/YCH210C,210E
BAYHSMT060A [Ⓢ]	7-1/2HP Oversized Motor Kit (460V)	YCD/YCH210C,210E
BAYHSMT061A [Ⓢ]	7-1/2HP Oversized Motor Kit (575V)	YC*210CW,210E
BAYHSMT072A [Ⓢ]	7-1/2HP Oversized Motor Kit (575V)	YC*181CW
BAYHSMT098A [Ⓢ]	7-1/2HP Oversized Motor Kit	YC*211,240,241C3
BAYHSMT099A [Ⓢ]	7-1/2HP Oversized Motor Kit	YC*211,240,241C4
BAYICS1004B [Ⓢ]	Comm 3/4 Communications Interface (TCI)	YC*150-301,150-300E
BAYLOAM023A [Ⓢ]	Evaporator Defrost Control	YCD150-301,YC*150-300E
BAYLPKT018A	LP Conversion Kit	YCD/YCH150D,151-301C,150-240E
BAYLSDR004A [Ⓢ]	Low Static Drive	YCD/YCH210C,210E
BAYLSDR002A [Ⓢ]	Low Static Drive	YCD/YCH300B,301C
BAYPWRX029A	Power Exhaust for 230 volt units	BAYECON089A-092A (YCD150D,151-301C,150-240E)
BAYPWRX030A	Power Exhaust for 460 volt units	BAYECON089A-092A (YCD150D,151-301C,150-240E)
BAYPWRX031A	Power Exhaust for use with Downflow Economizer(575V)	YCD150DW,YCD/YCH150-240E
BAYSENS016A	Temperature Sensor	YCD/YCH (12½-25 Tons)
BAYSERV001A	Selective Resistance Service Tester	YCD/YCH (12½-25 Tons)
BAYSTAT023 [Ⓢ]	Remote Potentiometer	All BAYECON089-92A
BAYTUBE008A [Ⓢ]	Discharge Air Sensing Kit	YCD150D-301,YC*150-300E
BAYTUBE009A [Ⓢ]	Discharge Air Sensing Kit	YCH150-301,YC*150-300E
BAYVNOR002B [Ⓢ]	Ventilation Override Kit	YCD/YCH150-301 w/ReliaTel™ Options Module,150-300E

- Ⓢ Kit contains all necessary parts to achieve desired level of Enthalpy Control.
 - Ⓢ Reference Enthalpy senses outside temperature/humidity and inside supply air only.
 - Ⓢ Comparative Enthalpy senses outside temperature/humidity and inside supply and return air.
 - Ⓢ High static drive and oversized motors are mutually exclusive, Do Not Combine.
 - Ⓢ Low static drive and oversized motors are mutually exclusive, Do Not Combine.
 - Ⓢ See Accessory IOM for operational characteristics.
 - Ⓢ Clarksville Manufacturing has a no-return policy for this roof curb.
 - Ⓢ BAYABRD002 is required when ordering BAYDFPS005A or 006A, BAYTUBE008A or 009A and BAYLOAM023A or BAYVNOR002B.
 - Ⓢ Functional only with ReliaTel™ controls.
 - Ⓢ Field or factory installed option.
 - Ⓢ Field installed accessory. Requires an economizer.
 - Ⓢ Interface allows a unit with ReliaTel™ Controls to communicate with Tracer 100, Tracker, VariTrac II, and is the preferred method of communication to Tracer Summit.
- * Either horizontal or downflow models

See ReliaTel™ and Micro Control features on PC-19 and PC-20.

Table PG-25-A — Zone Sensors: (Micro Thermostats to be used with New Micro Units)

Model Number	Description	Used With
ASYSTAT106A	Single Setpoint Manual Changeover	YC*150-301
ASYSTAT108A	Dual Setpoint Manual or Auto Changeover	YC*150-301
ASYSTAT666C	Programmable Night Setback	YC*150-301
ASYSTAT111A	Remote Room Sensor	ASYSTAT666C
ASYSTAT708A	Dual Thermistor Remote (averaging)	YC*150-301
ASYSTAT709A	Digital Display Zone Sensor	YC*150-301
ASYSTAT710A	Wall Mounted Humidity Sensor	YFD151,181,241 (with Reheat)
ASYSTAT711A	Duct Mounted Humidity Sensor	YFD151,181,241 (with Reheat)
BAYMTPL003B	Retrofit Wall Cover Plate Kit 7.25" x 6.0"	ASYSTAT666C
BAYMTPL004A	Retrofit Wall Cover Plate Kit 4.75" x 4.75"	ASYSTAT661B, 663B,669A
BAYSENS110A	Dual Setpoint Manual or Auto Change-over with System Function Lights	YC*150-301

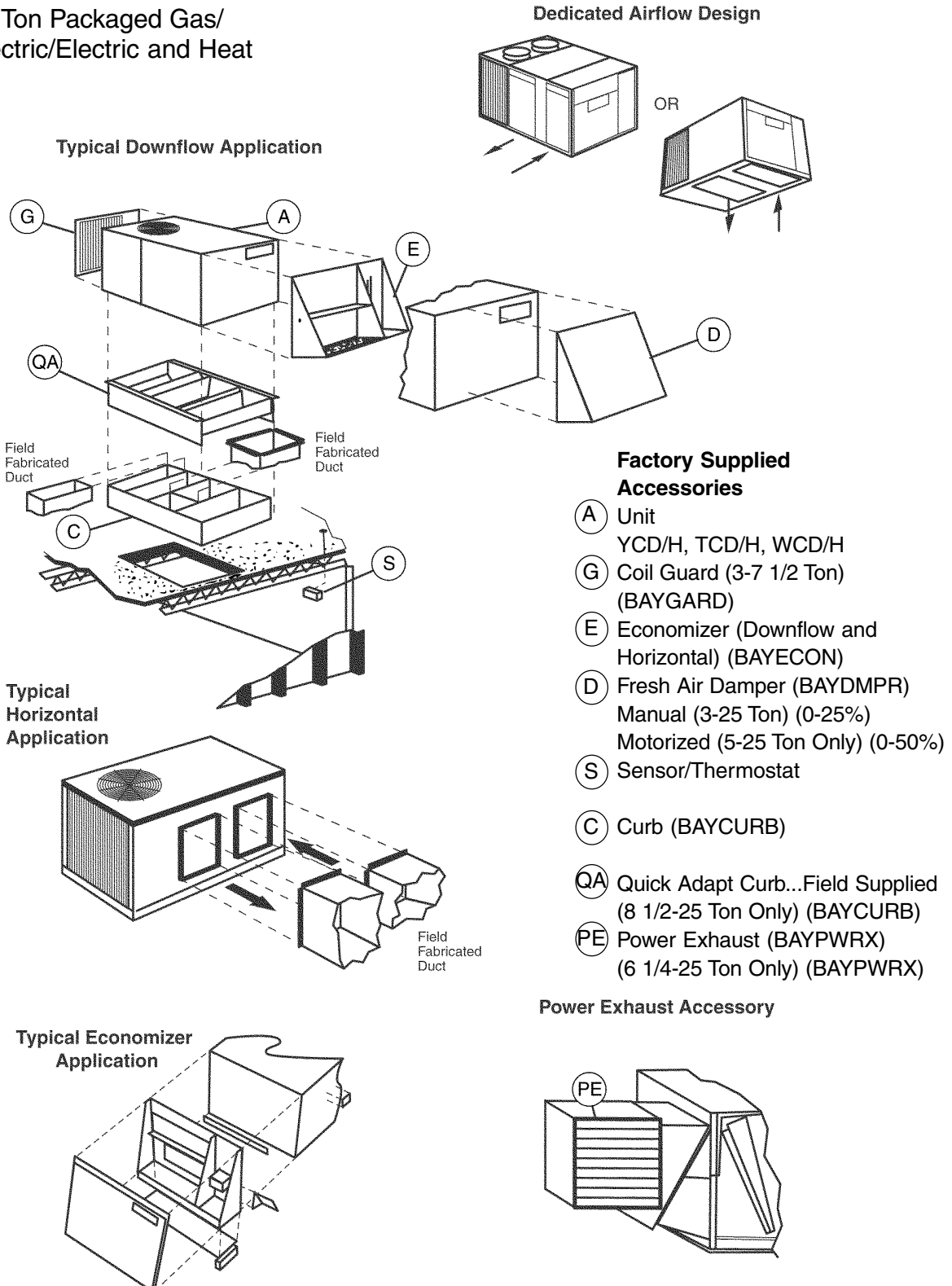
Table PG-25-B — Thermostats — Electromechanical

Model Number	Description	Used With
ASYSTAT090A	2Htg/2Cig Digital Display Programmable Thermostat	Y*C150-301
ASYSTAT092A	1Htg/1Cig w/Digital "TOUCHSCREEN"	Y*C150-301
ASYSTAT093A	3Htg/3Cig Digital Display Programmable Thermostat w/relative Humidity Sensing Built-In (w/Dehumidification Option)	Y*C150-301
ASYSTAT095A	3Htg/2Cig Digital Display Thermostat	Y*C150-301
ASYSTAT800A	Wall Mounted Remote Sensor	ASYSTAT090A,092A,093A

① Used with Integrated Comfort Systems™ any unit type. These sensors do not work with TCM. Consult BASD Marketing for them.

② Functional only with ReliaTel™ controls.

12 1/2 – 25 Ton Packaged Gas/
Electric, Electric/Electric and Heat
Pump



Factory Installed Options Commercial Packaged Units 12 1/2-25 Tons*

American Standard Heating & Air Conditioning offers a variety of factory installed options (FIOPS) for the light commercial packaged rooftop product line. These options are in addition to the standard factory installed options, i.e., downflow economizer and oversized motors.

Black Epoxy Coated Condenser Coil – Black Epoxy coil protection is a factory-applied, thermoset vinyl coating that is bonded to the aluminum fin stock prior to the fin stamping process. The pre-coated coils are an economical option for protection in mildly corrosive environments.

Dehumidification Option – The dehumidification (hot gas reheat) option shall be a factory-installed option that provides increased dehumidification. The option shall consist of a hot-gas reheat coil located on the leaving air side of the evaporator coil prepiped and circuited. The option shall be equipped with crankcase heater(s), low pressure switch(es), Froststat™, and a thermostatic expansion valve(s) (TXV) as standard.

Differential Pressure Switches – A dedicated differential pressure switch is available to achieve active fan failure indication and/or clogged filter indication. These indications will be registered on a zone sensor with status indication lights. This option is available for all 3 – 25 ton models.

Electric Heaters – Factory installed and wired electric heaters are available for all 230, 460, and 575 volt 3-phase horizontal and downflow 3 – 25 ton models. If ordering the Through the Base Electrical option with an Electric Heater, the heater must be factory installed.

Hinged Access Doors – Sheet metal hinges are available factory installed on the Filter/Evaporator Access Door and the Compressor/Control Access Door of all 3 – 25 ton units.

Powered or Unpowered Convenience Outlet – This option is a GFCI, 120 volt/15 amp, 2 plug, convenience outlet, either powered or unpowered. When the convenience outlet is powered, a service receptacle disconnect will be available. The convenience outlet is powered from the line side of the disconnect or circuit breaker, and therefore will not be affected by the position of the disconnect or circuit breaker.

This option is available for all 3 – 25 ton units and can only be ordered when the Through the Base Electrical with either the Disconnect Switch or Circuit Breaker option is ordered.

Reference or Comparative Enthalpy – When a factory installed Downflow Economizer is ordered, an option will be to factory install either Reference or Comparative Enthalpy Control.

Through the Base Electrical with Circuit Breaker – This option is a factory installed thermal magnetic, molded case, HACR Circuit Breaker with provisions for through the base electrical connections. The circuit breaker will be installed in a water tight enclosure in the unit with access through a swinging door. Factory wiring will be provided from the switch to the unit high voltage terminal block. The circuit breaker will provide overcurrent protection, be sized per NEC and UL guidelines, and be agency recognized by UL/CSA.

This option is available for all 3 – 25 ton downflow models. Either a Circuit Breaker or a Disconnect Switch (not both) must be ordered when ordering the Through the Base Electrical option.

Through the Base Electrical with Disconnect Switch – Factory installed 3-pole, molded case disconnect switch with provisions for through the base electrical connections are available. The disconnect switch will be installed in the unit in a water tight enclosure with access through a swinging door. Factory wiring will be provided from the switch to the unit high voltage terminal block. The switch will be UL/CSA agency recognized. Note: The disconnect switch will be sized per NEC and UL guidelines but will not be used in place of unit overcurrent protection.

This option is available for all 230, 460 and 575 volt, 3-phase 3 – 25 ton models. Either a Circuit Breaker or a Disconnect Switch (not both) must be ordered when ordering the Through the Base Electrical option.

Through the Base Gas Piping – With this option, provision will be made in the unit for installing through the base gas piping. The option will have all piping necessary including a pre-assembled, black steel, manual gas shut-off valve, elbows and union. The manual shut-off valve shall include a 1/8 inch NPT pressure tap. This assembly will require minor field labor to install.

This option is available for all 3 – 25 ton gas/electric units, and can only be ordered when the Through the Base Electrical Option with Disconnect or Circuit Breaker is ordered.

Discharge Air Sensing Kit – This option provides true discharge air sensing in heating models. This sensor is a status indicator readable through Tracer® or Tracker®. The kit is functional only with the ReliaTel™ Module.

Coil Guards – Hail protection quality coil guards shall be either factory or field-installed for condenser coil protection.

High Efficiency Motors – This option is available with efficiency ratings from 86.5 up to 91.0. Not available for all models.

Supply and/or Return Air Smoke Detector – With this option installed, if smoke is detected, all unit operation will be shut down. Reset will be manual at the unit. Return Air Smoke Detectors require minimum allowable airflow when used with certain models. See the Installation, Operation, and Maintenance (IOM) manual for the models affected and the minimum allowable airflow required. This option is available on all 12 1/2-25 tons models.

Froststat – This factory or field installed option is to be utilized as a safety device. The Froststat opens when temperatures on the evaporator coil fall below 10°F. The temperature will need to rise to 50°F before closing. This option should be utilized in low airflow or high outside air applications.

Through the Base Utilities Access – An electrical service entrance shall be provided allowing electrical access for both control and main power connection inside the curb and through the base of the unit. Option will allow for field installation of liquid-tight conduit and an external field installed disconnect switch.

Novar Unit Controls – Novar rooftop unit controls will be factory installed and tested. The Novar electronic thermostat module will interface to the unit microprocessor and will control the unit to the desired stage of cooling or heating. The Novar electronic thermostat module will monitor the following unit information: fan failure status, cooling stage 1-on status, cooling stage 2 on status, heating on status, clogged filter status or unit shutdown status, and discharge air temperature. The Novar electronic thermostat module will have the ability to enable the unit mounted economizer.

Novar Return Air Sensor – This option, when used in conjunction with Novar Controls, will contain a factory provided wired zone temperature sensor located in the return air stream.

Two Inch Pleated Filters – Two inch pleated media filters shall be available on all 12 1/2-25 ton models.

Thermal Expansion Valve – All units shall have a short orifice refrigerate control metering device. For more exact refrigerant flow, when using units in low airflow or high outside air applications, a Thermal Expansion Valve option shall be available.

Before Ordering:

Not all factory options are offered for single phase units.

Please contact the Clarksville, TN Support Team for latest updates of factory installed options and ordering instructions.

Call (931) 645-6471 and ask to be connected to the Light Commercial Product Support Team. (888) 279-0543

* Some FIOPs available only for certain tonnages, unit functions, or efficiencies.

Downflow/Horizontal Packaged Cooling, Packaged Gas/Electric/Packaged Heat Pump Factory Installed Options (FIOPS)

Table FIOPS-2-A — Accessories

Model Number	Description	Used With
Black Epoxy Coated Condenser Coil		
FIYCOIL205A	Black Epoxy Coated Condenser Coil	T/Y/WC*150
FIYCOIL206A	Black Epoxy Coated Condenser Coil	T/YC*151,180,210
FIYCOIL207A	Black Epoxy Coated Condenser Coil	WC*180
FIYCOIL209A	Black Epoxy Coated Condenser Coil	T/YC*181,211,240,241,301, WC*240
FIYCOIL210A	Black Epoxy Coated Condenser Coil	T/YC*300
Circuit Breaker		
Must be used with Through-the-Base Electrical option.		
FIYUCB3175A	Unit Mounted Circuit Breaker	Consult Matrix Sheets
FIYUCB3200A	Unit Mounted Circuit Breaker	Consult Matrix Sheets
FIYUCB3225A	Unit Mounted Circuit Breaker	Consult Matrix Sheets
FIYUCB3250A	Unit Mounted Circuit Breaker	Consult Matrix Sheets
FIYUCB4015A	Unit Mounted Circuit Breaker	Consult Matrix Sheets
FIYUCB4020A	Unit Mounted Circuit Breaker	Consult Matrix Sheets
FIYUCB4025A	Unit Mounted Circuit Breaker	Consult Matrix Sheets
FIYUCB4030A	Unit Mounted Circuit Breaker	Consult Matrix Sheets
FIYUCB4035A	Unit Mounted Circuit Breaker	Consult Matrix Sheets
FIYUCB4040A	Unit Mounted Circuit Breaker	Consult Matrix Sheets
FIYUCB4045A	Unit Mounted Circuit Breaker	Consult Matrix Sheets
FIYUCB4050A	Unit Mounted Circuit Breaker	Consult Matrix Sheets
FIYUCB4060A	Unit Mounted Circuit Breaker	Consult Matrix Sheets
FIYUCB4070A	Unit Mounted Circuit Breaker	Consult Matrix Sheets
FIYUCB4080A	Unit Mounted Circuit Breaker	Consult Matrix Sheets
FIYUCB4090A	Unit Mounted Circuit Breaker	Consult Matrix Sheets
FIYUCB4100A	Unit Mounted Circuit Breaker	Consult Matrix Sheets
FIYUCB4110A	Unit Mounted Circuit Breaker	Consult Matrix Sheets
FIYUCB4125A	Unit Mounted Circuit Breaker	Consult Matrix Sheets
FIYUCB4150A	Unit Mounted Circuit Breaker	Consult Matrix Sheets
FIYUCB6110A	Unit Mounted Circuit Breaker	Consult Matrix Sheets
FIYUCB6125A	Unit Mounted Circuit Breaker	Consult Matrix Sheets
Convenience Outlet		
Must be ordered with Through-the-Base Electrical option and either Unit Mounted Disconnect or Circuit Breaker.		
FIYCOPO201A	Powered, 120V Convenience Outlet, 230V	TC/YCD150-301*3, WCD150-240*3
FIYCOPO202A	Powered, 120V Convenience Outlet, 460V	TC/YCD150-301*4, WCD150-240*4
FIYCOPO205A	Powered, 120V Convenience Outlet, 575V	TC/YCD150-301*W, WCD150-240*W
FIYCOPO301AA	Powered, 120V Convenience Outlet, 230V	TC/YCH150-301*3, WCH150-240*A3
FIYCOPO302AA	Powered, 120V Convenience Outlet, 460V	TC/YCH150-301*4, WCH150-240*A4
FIYCOPO303AA	Powered, 120V Convenience Outlet, 575V	TC/YCH150-301*W, WCH150-240*AW
FIYCOUP201A	Unpowered, 115V Convenience Outlet	TC/YCD150-301, WCD150-240
FIYCOUP301AA	Unpowered, 115V Convenience Outlet	TC/YCH150-301, 180-300E, WCD150-240
Discharge Air Sensing Kit		
Used for true discharge air sensing in heating models. Functional only with ReliaTel™ Options Module (FIYABRD002B).		
FIYTUBE008A	Discharge Air Sensing Kit (All Voltages)	TC/YCD150-301*, WCD150-240
FIYTUBE009A	Discharge Air Sensing Kit (All Voltages)	TC/YCH150-301*, WCH150-240
Disconnect Switch		
Must be used with Through-the-Base Electrical option. Cannot be fused.		
FIYUDC3250A	Unit Mounted Disconnect Switch	Consult Matrix Sheets
FIYUDC4100A	Unit Mounted Disconnect Switch	Consult Matrix Sheets
FIYUDC4150A	Unit Mounted Disconnect Switch	Consult Matrix Sheets
FIYUDC6100A	Unit Mounted Disconnect Switch	Consult Matrix Sheets
Economizer Actuator Logic Module		
FIYLGCM001A is required when ordering the following Factory Installed Options (FIOPs). Reference Enthalpy (FIYENTH007A), Comparative Enthalpy (FIYENTH008A), Novar Controls (FIYCNTL013A, 015A,016A, 017A,018A, 019A).		
FIYLGCM001A	Economizer Actuator Logic Module	All Packaged Rooftop Units 12½-25 Tons with economizers and the above mentioned FIOPs. (FIOP #s)

Downflow/Horizontal Packaged Cooling, Packaged Gas/Electric/Packaged Heat Pump Factory Installed Options (FIOPS)

Table FIOPS-3-A — Accessories

Model		
Number	Description	Used With
Electric Heat - Cooling		
Must be factory installed when using with Through-the-Base Electrical option.		
FIDHTRA309B	Factory Installed 9 KW Electric Heat	See Unit Price Sheets
FIDHTRA318B	Factory Installed 18 KW Electric Heat	See Unit Price Sheets
FIDHTRA327B	Factory Installed 27 KW Electric Heat	See Unit Price Sheets
FIDHTRA336B	Factory Installed 36 KW Electric Heat	See Unit Price Sheets
FIDHTRD318A	Factory Installed 18 KW Electric Heat	See Unit Price Sheets
FIDHTRD336A	Factory Installed 36 KW Electric Heat	See Unit Price Sheets
FIDHTRD354A	Factory Installed 54 KW Electric Heat	See Unit Price Sheets
FIDHTRF318A	Factory Installed 18 KW Electric Heat	See Unit Price Sheets
FIDHTRK336A	Factory Installed 36 KW Electric Heat	See Unit Price Sheets
FIDHTRK354A	Factory Installed 54 KW Electric Heat	See Unit Price Sheets
FIDHTRL336A	Factory Installed 36 KW Electric Heat	See Unit Price Sheets
FIDHTRL354A	Factory Installed 54 KW Electric Heat	See Unit Price Sheets
FIDHTRK372A	Factory Installed 72 KW Electric Heat	See Unit Price Sheets
FIDHTRJ318A	Factory Installed 18 KW Electric Heat	See Unit Price Sheets
FIDHTRJ336A	Factory Installed 36 KW Electric Heat	See Unit Price Sheets
FIDHTRA409B	Factory Installed 9 KW Electric Heat	See Unit Price Sheets
FIDHTRA418B	Factory Installed 18 KW Electric Heat	See Unit Price Sheets
FIDHTRA427B	Factory Installed 27 KW Electric Heat	See Unit Price Sheets
FIDHTRA436B	Factory Installed 36 KW Electric Heat	See Unit Price Sheets
FIDHTRC418A	Factory Installed 18 KW Electric Heat	See Unit Price Sheets
FIDHTRD436A	Factory Installed 36 KW Electric Heat	See Unit Price Sheets
FIDHTRD454A	Factory Installed 54 KW Electric Heat	See Unit Price Sheets
FIDHTRL418A	Factory Installed 18 KW Electric Heat	See Unit Price Sheets
FIDHTRK436A	Factory Installed 36 KW Electric Heat	See Unit Price Sheets
FIDHTRK454A	Factory Installed 54 KW Electric Heat	See Unit Price Sheets
FIDHTRL436A	Factory Installed 36 KW Electric Heat	See Unit Price Sheets
FIDHTRL454A	Factory Installed 54 KW Electric Heat	See Unit Price Sheets
FIDHTRK472A	Factory Installed 72 KW Electric Heat	See Unit Price Sheets
FIDHTRJ418A	Factory Installed 18 KW Electric Heat	See Unit Price Sheets
FIDHTRJ436A	Factory Installed 36 KW Electric Heat	See Unit Price Sheets
FIDHTRAW18B	Factory Installed 18 KW Electric Heat	See Unit Price Sheets
FIDHTRAW27B	Factory Installed 27 KW Electric Heat	See Unit Price Sheets
FIDHTRCW18A	Factory Installed 18 KW Electric Heat	See Unit Price Sheets
FIDHTRCW36A	Factory Installed 36 KW Electric Heat	See Unit Price Sheets
FIDHTRCW54A	Factory Installed 54 KW Electric Heat	See Unit Price Sheets
FIDHTRKW18A	Factory Installed 18 KW Electric Heat	See Unit Price Sheets
FIDHTRKW54A	Factory Installed 54 KW Electric Heat	See Unit Price Sheets
FIDHTRMW36A	Factory Installed 36 KW Electric Heat	See Unit Price Sheets
FIDHTRLW54A	Factory Installed 54 KW Electric Heat	See Unit Price Sheets
FIDHTRKW72A	Factory Installed 72 KW Electric Heat	See Unit Price Sheets
FIDHTRJW18A	Factory Installed 18 KW Electric Heat	See Unit Price Sheets
FIDHTRJW36A	Factory Installed 36 KW Electric Heat	See Unit Price Sheets
FIHHTRA309B	Factory Installed 9 KW Electric Heat	See Unit Price Sheets
FIHHTRA318B	Factory Installed 18 KW Electric Heat	See Unit Price Sheets
FIHHTRA327B	Factory Installed 27 KW Electric Heat	See Unit Price Sheets
FIHHTRA336B	Factory Installed 36 KW Electric Heat	See Unit Price Sheets
FIHHTRD318A	Factory Installed 18 KW Electric Heat	See Unit Price Sheets
FIHHTRD336A	Factory Installed 36 KW Electric Heat	See Unit Price Sheets
FIHHTRD354A	Factory Installed 54 KW Electric Heat	See Unit Price Sheets
FIHHTRM318A	Factory Installed 18 KW Electric Heat	See Unit Price Sheets
FIHHTRM336A	Factory Installed 36 KW Electric Heat	See Unit Price Sheets
FIHHTRM354A	Factory Installed 54 KW Electric Heat	See Unit Price Sheets
FIHHTRN336A	Factory Installed 36 KW Electric Heat	See Unit Price Sheets
FIHHTRN354A	Factory Installed 54 KW Electric Heat	See Unit Price Sheets

Downflow/Horizontal Packaged Cooling, Packaged Gas/Electric/Packaged Heat Pump Factory Installed Options (FIOPS)

Table FIOPS-4-A — Accessories

Model	Description	Used With
Electric Heat - Cooling (Contd.)		
FIHHTRN372A	Factory Installed 72 KW Electric Heat	See Unit Price Sheets
FIHHTRJ318A	Factory Installed 18 KW Electric Heat	See Unit Price Sheets
FIHHTRJ336A	Factory Installed 36 KW Electric Heat	See Unit Price Sheets
FIHHTRA409B	Factory Installed 9 KW Electric Heat	See Unit Price Sheets
FIHHTRA418B	Factory Installed 18 KW Electric Heat	See Unit Price Sheets
FIHHTRA427B	Factory Installed 27 KW Electric Heat	See Unit Price Sheets
FIHHTRA436B	Factory Installed 36 KW Electric Heat	See Unit Price Sheets
FIHHTRM418A	Factory Installed 18 KW Electric Heat	See Unit Price Sheets
FIHHTRM436A	Factory Installed 36 KW Electric Heat	See Unit Price Sheets
FIHHTRM454A	Factory Installed 54 KW Electric Heat	See Unit Price Sheets
FIHHTRN436A	Factory Installed 36 KW Electric Heat	See Unit Price Sheets
FIHHTRN454A	Factory Installed 54 KW Electric Heat	See Unit Price Sheets
FIHHTRN472A	Factory Installed 72 KW Electric Heat	See Unit Price Sheets
FIHHTRJ418A	Factory Installed 18 KW Electric Heat	See Unit Price Sheets
FIHHTRJ436A	Factory Installed 36 KW Electric Heat	See Unit Price Sheets
FIHHTRAW18B	Factory Installed 18 KW Electric Heat	See Unit Price Sheets
FIHHTRAW27B	Factory Installed 27 KW Electric Heat	See Unit Price Sheets
FIHHTRMW18A	Factory Installed 18 KW Electric Heat	See Unit Price Sheets
FIHHTRMW36A	Factory Installed 36 KW Electric Heat	See Unit Price Sheets
FIHHTRMW54A	Factory Installed 54 KW Electric Heat	See Unit Price Sheets
FIHHTRNW54A	Factory Installed 54 KW Electric Heat	See Unit Price Sheets
FIHHTRNW72A	Factory Installed 72 KW Electric Heat	See Unit Price Sheets
FIHHTRJW18A	Factory Installed 18 KW Electric Heat	See Unit Price Sheets
FIHHTRJW36A	Factory Installed 36 KW Electric Heat	See Unit Price Sheets
FIHHTRN318A	Factory Installed 18 KW Electric Heat	See Unit Price Sheets
FIHHTRN418A	Factory Installed 18 KW Electric Heat	See Unit Price Sheets
FIHHTRNW18A	Factory Installed 18 KW Electric Heat	See Unit Price Sheets
FIHHTRP336A	Factory Installed 36 KW Electric Heat	See Unit Price Sheets
FIHHTRQ336A	Factory Installed 36 KW Electric Heat	See Unit Price Sheets
FIHHTRP436A	Factory Installed 36 KW Electric Heat	See Unit Price Sheets
FIHHTRQ436A	Factory Installed 36 KW Electric Heat	See Unit Price Sheets
FIHHTRPW36A	Factory Installed 36 KW Electric Heat	See Unit Price Sheets
FIHHTRP354A	Factory Installed 54 KW Electric Heat	See Unit Price Sheets
FIHHTRQ354A	Factory Installed 54 KW Electric Heat	See Unit Price Sheets
FIHHTRP454A	Factory Installed 54 KW Electric Heat	See Unit Price Sheets
FIHHTRQ454A	Factory Installed 54 KW Electric Heat	See Unit Price Sheets
FIHHTRPW54A	Factory Installed 54 KW Electric Heat	See Unit Price Sheets
FIHHTRQW54A	Factory Installed 54 KW Electric Heat	See Unit Price Sheets
FIYHTRP105A	Factory Installed 6 KW Electric Heat	See Unit Price Sheets
FIYHTRP110A	Factory Installed 10 KW Electric Heat	See Unit Price Sheets
FIYHTRP114A	Factory Installed 14 KW Electric Heat	See Unit Price Sheets
FIYHTRP118A	Factory Installed 18 KW Electric Heat	See Unit Price Sheets
FIYHTRP306A	Factory Installed 6 KW Electric Heat	See Unit Price Sheets
FIYHTRP312A	Factory Installed 12 KW Electric Heat	See Unit Price Sheets
FIYHTRP318A	Factory Installed 18 KW Electric Heat	See Unit Price Sheets
FIYHTRP323A	Factory Installed 23 KW Electric Heat	See Unit Price Sheets
FIYHTRP406A	Factory Installed 6 KW Electric Heat	See Unit Price Sheets
FIYHTRP412A	Factory Installed 12 KW Electric Heat	See Unit Price Sheets
FIYHTRP418A	Factory Installed 18 KW Electric Heat	See Unit Price Sheets
FIYHTRP423A	Factory Installed 23 KW Electric Heat	See Unit Price Sheets
FIYHTRPW06A	Factory Installed 6 KW Electric Heat	See Unit Price Sheets
FIYHTRPW12A	Factory Installed 12 KW Electric Heat	See Unit Price Sheets
FIYHTRPW18A	Factory Installed 18 KW Electric Heat	See Unit Price Sheets
FIYHTRPW23A	Factory Installed 23 KW Electric Heat	See Unit Price Sheets

Downflow/Horizontal Packaged Cooling, Packaged Gas/Electric/Packaged Heat Pump Factory Installed Options (FIOPS)

Table FIOPS-5-A — Accessories

Model Number	Description	Used With
Electric Heat - Heat Pump		
Must be factory installed when using with Through-the-Base Electrical option.		
FIYHTRP105A	Factory Installed 6 KW Electric Heat	See Unit Price Sheets
FIYHTRP110A	Factory Installed 10 KW Electric Heat	See Unit Price Sheets
FIYHTRP114A	Factory Installed 14 KW Electric Heat	See Unit Price Sheets
FIYHTRP118A	Factory Installed 18 KW Electric Heat	See Unit Price Sheets
FIYHTRP306A	Factory Installed 6 KW Electric Heat	See Unit Price Sheets
FIYHTRP312A	Factory Installed 12 KW Electric Heat	See Unit Price Sheets
FIYHTRP318A	Factory Installed 18 KW Electric Heat	See Unit Price Sheets
FIYHTRP323A	Factory Installed 23 KW Electric Heat	See Unit Price Sheets
FIYHTRP406A	Factory Installed 6 KW Electric Heat	See Unit Price Sheets
FIYHTRP412A	Factory Installed 12 KW Electric Heat	See Unit Price Sheets
FIYHTRP418A	Factory Installed 18 KW Electric Heat	See Unit Price Sheets
FIYHTRP423A	Factory Installed 23 KW Electric Heat	See Unit Price Sheets
FIYHTRPW06A	Factory Installed 6 KW Electric Heat	See Unit Price Sheets
FIYHTRPW12A	Factory Installed 12 KW Electric Heat	See Unit Price Sheets
FIYHTRPW18A	Factory Installed 18 KW Electric Heat	See Unit Price Sheets
FIYHTRPW23A	Factory Installed 23 KW Electric Heat	See Unit Price Sheets
FIDHTRA327B	Factory Installed 27 KW Electric Heat	See Unit Price Sheets
FIDHTRA336B	Factory Installed 36 KW Electric Heat	See Unit Price Sheets
FIDHTRB309B	Factory Installed 9 KW Electric Heat	See Unit Price Sheets
FIDHTRB318B	Factory Installed 18 KW Electric Heat	See Unit Price Sheets
FIDHTRD318A	Factory Installed 18 KW Electric Heat	See Unit Price Sheets
FIDHTRD336A	Factory Installed 36 KW Electric Heat	See Unit Price Sheets
FIDHTRD354A	Factory Installed 54 KW Electric Heat	See Unit Price Sheets
FIDHTRK318A	Factory Installed 18 KW Electric Heat	See Unit Price Sheets
FIDHTRK336A	Factory Installed 36 KW Electric Heat	See Unit Price Sheets
FIDHTRK354A	Factory Installed 54 KW Electric Heat	See Unit Price Sheets
FIDHTRL336A	Factory Installed 36 KW Electric Heat	See Unit Price Sheets
FIDHTRL354A	Factory Installed 54 KW Electric Heat	See Unit Price Sheets
FIDHTRK372A	Factory Installed 72 KW Electric Heat	See Unit Price Sheets
FIDHTRA409B	Factory Installed 9 KW Electric Heat	See Unit Price Sheets
FIDHTRA418B	Factory Installed 18 KW Electric Heat	See Unit Price Sheets
FIDHTRA427B	Factory Installed 27 KW Electric Heat	See Unit Price Sheets
FIDHTRA436B	Factory Installed 36 KW Electric Heat	See Unit Price Sheets
FIDHTRC418A	Factory Installed 18 KW Electric Heat	See Unit Price Sheets
FIDHTRD418A	Factory Installed 9 KW Electric Heat	See Unit Price Sheets
FIDHTRD436A	Factory Installed 36 KW Electric Heat	See Unit Price Sheets
FIDHTRD454A	Factory Installed 54 KW Electric Heat	See Unit Price Sheets
FIDHTRK436A	Factory Installed 36 KW Electric Heat	See Unit Price Sheets
FIDHTRK454A	Factory Installed 54 KW Electric Heat	See Unit Price Sheets
FIDHTRL436A	Factory Installed 36 KW Electric Heat	See Unit Price Sheets
FIDHTRL454A	Factory Installed 54 KW Electric Heat	See Unit Price Sheets
FIDHTRK472A	Factory Installed 72 KW Electric Heat	See Unit Price Sheets
FIDHTRAW18B	Factory Installed 18 KW Electric Heat	See Unit Price Sheets
FIDHTRAW27B	Factory Installed 27 KW Electric Heat	See Unit Price Sheets
FIDHTRCW18A	Factory Installed 18 KW Electric Heat	See Unit Price Sheets
FIDHTRCW36A	Factory Installed 36 KW Electric Heat	See Unit Price Sheets
FIDHTRCW54A	Factory Installed 54 KW Electric Heat	See Unit Price Sheets
FIDHTRDW18A	Factory installed 18 KW Electric Heat	See Unit Price Sheets

Downflow/Horizontal Packaged Cooling, Packaged Gas/Electric/Packaged Heat Pump Factory Installed Options (FIOPS)

Table FIOPS-6-A — Accessories

Model		
Number	Description	Used With
Electric Heat - Heat Pump (Contd.)		
FIDHTRDW54A	Factory Installed 54 KW Electric Heat	See Unit Price Sheets
FIDHTRKW36A	Factory Installed 36 KW Electric Heat	See Unit Price Sheets
FIDHTRKW54A	Factory Installed 54 KW Electric Heat	See Unit Price Sheets
FIDHTRLW36A	Factory Installed 36 KW Electric Heat	See Unit Price Sheets
FIDHTRMW36A	Factory Installed 36 KW Electric Heat	See Unit Price Sheets
FIDHTRKW72A	Factory Installed 72 KW Electric Heat	See Unit Price Sheets
FIHHTRA327B	Factory Installed 27 KW Electric Heat	See Unit Price Sheets
FIHHTRA336B	Factory Installed 36 KW Electric Heat	See Unit Price Sheets
FIHHTRB309B	Factory Installed 9 KW Electric Heat	See Unit Price Sheets
FIHHTRB318B	Factory Installed 18 KW Electric Heat	See Unit Price Sheets
FIHHTRD318A	Factory Installed 18 KW Electric Heat	See Unit Price Sheets
FIHHTRD336A	Factory Installed 36 KW Electric Heat	See Unit Price Sheets
FIHHTRD354A	Factory Installed 54 KW Electric Heat	See Unit Price Sheets
FIHHTRM318A	Factory Installed 18 KW Electric Heat	See Unit Price Sheets
FIHHTRM336A	Factory Installed 36 KW Electric Heat	See Unit Price Sheets
FIHHTRM354A	Factory Installed 54 KW Electric Heat	See Unit Price Sheets
FIHHTRN336A	Factory Installed 36 KW Electric Heat	See Unit Price Sheets
FIHHTRN354A	Factory Installed 54 KW Electric Heat	See Unit Price Sheets
FIHHTRN372A	Factory Installed 72 KW Electric Heat	See Unit Price Sheets
FIHHTRA409B	Factory Installed 9 KW Electric Heat	See Unit Price Sheets
FIHHTRA418B	Factory Installed 18 KW Electric Heat	See Unit Price Sheets
FIHHTRA427B	Factory Installed 27 KW Electric Heat	See Unit Price Sheets
FIHHTRA436B	Factory Installed 36 KW Electric Heat	See Unit Price Sheets
FIHHTRM418A	Factory Installed 18 KW Electric Heat	See Unit Price Sheets
FIHHTRD418A	Factory Installed 18 KW Electric Heat	See Unit Price Sheets
FIHHTRM436A	Factory Installed 36 KW Electric Heat	See Unit Price Sheets
FIHHTRM454A	Factory Installed 54 KW Electric Heat	See Unit Price Sheets
FIHHTRN436A	Factory Installed 36 KW Electric Heat	See Unit Price Sheets
FIHHTRN454A	Factory Installed 54 KW Electric Heat	See Unit Price Sheets
FIHHTRN472A	Factory Installed 72 KW Electric Heat	See Unit Price Sheets
FIHHTRAW18B	Factory Installed 18 KW Electric Heat	See Unit Price Sheets
FIHHTRAW27B	Factory Installed 27 KW Electric Heat	See Unit Price Sheets
FIHHTRMW18A	Factory Installed 18 KW Electric Heat	See Unit Price Sheets
FIHHTRMW36A	Factory Installed 36 KW Electric Heat	See Unit Price Sheets
FIHHTRCW54A	Factory Installed 54 KW Electric Heat	See Unit Price Sheets
FIHHTREW36A	Factory Installed 36 KW Electric Heat	See Unit Price Sheets
FIHHTRMW54A	Factory Installed 54 KW Electric Heat	See Unit Price Sheets
FIHHTRNW36A	Factory Installed 36 KW Electric Heat	See Unit Price Sheets
FIHHTRNW54A	Factory Installed 54 KW Electric Heat	See Unit Price Sheets
FIHHTRNW72A	Factory Installed 72 KW Electric Heat	See Unit Price Sheets
FIHHTRMW54A	Factory Installed 54 KW Electric Heat	See Unit Price Sheets
FIHHTRNW54A	Factory Installed 54 KW Electric Heat	See Unit Price Sheets
FIHHTRNW72A	Factory Installed 72 KW Electric Heat	See Unit Price Sheets
FIHHTRN318A	Factory Installed 18 KW Electric Heat	See Unit Price Sheets
FIHHTRNW18A	Factory Installed 18 KW Electric Heat	See Unit Price Sheets
FIHHTRP336A	Factory Installed 36 KW Electric Heat	See Unit Price Sheets
FIHHTRP436A	Factory Installed 36 KW Electric Heat	See Unit Price Sheets
FIHHTRP454A	Factory Installed 54 KW Electric Heat	See Unit Price Sheets
FIHHTRQW54A	Factory Installed 54 KW Electric Heat	See Unit Price Sheets
FIHHTRP418A	Factory Installed 18 KW Electric Heat	See Unit Price Sheets
FIHHTRQW36A	Factory Installed 18 KW Electric Heat	See Unit Price Sheets

Downflow/Horizontal Packaged Cooling, Packaged Gas/Electric/Packaged Heat Pump Factory Installed Options (FIOPS)

Table FIOPS-7-A — Accessories

Model Number	Description	Used With
Enthalpy Kits		
FIYENTH007A	Reference Enthalpy	Downflow Units w/A,C or G in 10th Digit
FIYENTH008A	Comparative Enthalpy	Downflow Units w/A,C or G in 10th Digit
Filter & Control Access		
FIYHNGE004A	Hinged Filter/Evap. and Comp./Control Access Door	TC/YCD150,180,210, WCD150-180
FIYHNGE005A	Hinged Filter/Evap. and Comp./Control Access Door	TC/YCD300
FIYHNGE008A	Hinged Filter/Evap. and Comp./Control Access Door	TC/YCD151
FIYHNGE009A	Hinged Filter/Evap. and Comp./Control Access Door	TC/YCD181,211,240,241,301, WCD240
FIYHNGE200AA	Hinged Filter/Evap. and Comp./Control Access Door	TC/YCH150,180,210, WCH150-180
FIYHNGE201AA	Hinged Filter/Evap. and Comp./Control Access Door	TC/YCH300
FIYHNGE202AA	Hinged Filter/Evap. and Comp./Control Access Door	TC/YCH151, 150E
FIYHNGE203AA	Hinged Filter/Evap. and Comp./Control Access Door	TC/YCH181,211,240,241,301,180-300E, WCH150-240
Frostat		
FIYLOAM023A	Frostat	TC/YCD151,181,241 with H,J,K,L in 10th digit w/FIYABRD002B
High Efficiency Motors		
Can be used on downflow or horizontal units unless specified on matrix sheets.		
FIYHEMT001A	2 HP High Effic. Motor (86.5 Eff.)(208-230/460/60/3)	Consult Matrix Sheets
FIYHEMT002A	2 HP High Effic. Motor (86.5 Eff.)(575/60/3)	Consult Matrix Sheets
FIYHEMT003A	3 HP High Effic. Motor (89.5 Eff.)(208-230/60/3)	Consult Matrix Sheets
FIYHEMT004A	3 HP High Effic. Motor (89.5 Eff.)(460/60/3)	Consult Matrix Sheets
FIYHEMT005A	3 HP High Effic. Motor (89.5 Eff.)(575/60/3)	Consult Matrix Sheets
FIYHEMT006A	5 HP High Effic. Motor (91.0 Eff.)(208-230/60/3)	Consult Matrix Sheets
FIYHEMT007A	5 HP High Effic. Motor (91.0 Eff.)(460/60/3)	Consult Matrix Sheets
FIYHEMT008A	5 HP High Effic. Motor (91.0 Eff.)(575/60/3)	Consult Matrix Sheets
FIYHEMT009A	7½ HP High Effic. Motor (90.2 Eff.)(208-230/60/3)	Consult Matrix Sheets
FIYHEMT010A	7½ HP High Effic. Motor (90.2 Eff.)(460/60/3)	Consult Matrix Sheets
FIYHEMT011A	7½ HP High Effic. Motor (90.2 Eff.)(575/60/3)	Consult Matrix Sheets
Novar Controls-2024		
The Novar control option includes the following factory installed and wired devices: Novar ETM-2024 rooftop controller, fan proving switch, clogged filter or unit shutdown switch, Cool 1,Cool 2, Heat switch and discharge air sensor (downflow only) (Novar # DTS-30, 20-170°F). NOTE: Option cannot be ordered in conjunction with FIOPS Smoke Detector option.		
FIYCNTL013A	Novar Control, 208-230V	T/YCD150-301*3
FIYCNTL015A	Novar Control, 460 & 575V	T/YCD150-301*4,W
Novar Controls-3051		
The Novar control option includes the following factory installed and wired devices: Novar 3051 rooftop controller, fan proving switch, clogged filter or unit shutdown switch, and discharge air sensor (Novar # DTS-30, 20-170°F). NOTE: This option can be ordered in conjunction with factory installed Smoke Detector option. It can also be ordered with 100% DB economizer but not with enthalpy controls.		
FIYCNTL016A	Novar Control, 460V, 575V	TC/YC*181,211,240,241,300,301*4,W
FIYCNTL017A	Novar Control, 208-230V	TC/YC*150,151,180,210*3
FIYCNTL018A	Novar Control, 460V, 575V	TC/YC*150,151,180,210*4,W
FIYCNTL019A	Novar Control, 208-230V	TC/YC*181,211,240,241,300,301*3

Downflow/Horizontal Packaged Cooling, Packaged Gas/Electric/Packaged Heat Pump Factory Installed Options (FIOPS)

Table FIOPS-8-A — Accessories

Model	Description	Used With
Novar Return Air Sensor		
This option consists of the Novar return air sensor (Novar # WTS-10) that is wired and shipped in the return air section of the unit. The sensor ships with approximately 15' of extra wire for dropping down the return air duct (downflow only).		
FIYNRAS001A	Return Air Sensor	FIYCNTL013A and FIYCNTL015A
Novar Zone Sensor		
This option consists of a Novar Zone Sensor (Novar #WTS-SOS) used with Novar 3051 Controls.		
FIYNZSR001A	Novar Zone Sensor for Novar 3051	FIYCNTL016A
ReliaTel™ Options Module		
FIYABRD002B is required when ordering the following accessories: Clogged Filter Switch (FIYDFPS005A/BAYDFPS005A), Fan Fail Switch (FIYDFPS006A/BAYDFPS006A), Discharge Air Sensing Kit (FIYTUBE008A,FIYTUBE009A, BAYTUBE008A, BAYTUBE009A), Froststat (FIYLOAM023A, BAYLOAM023A), Ventilation Override (must order BAYVNOR002B), Smoke Detector (FIYSMDT).		
FIYABRD002B	ReliaTel™ Options Module	All Packaged Rooftop Units 12½-25 Tons
Smoke Detector (Return Air) for downflow units with economizer^{①②③}		
Option cannot be ordered in conjunction with field installed economizer.		
FIYSMDT221A	Return Air Smoke Detector	TC/YCD150,151,180,210, WCD150,180
FIYSMDT223A	Return Air Smoke Detector	TC/YCD181,211,240,241,300,301, WCD240
Smoke Detector (Return Air) for downflow units without economizer^{①②③}		
FIYSMDT222A	Return Air Smoke Detector	TC/YCD150,151,180,210, WCD150,180
FIYSMDT224A	Return Air Smoke Detector	TC/YCD181,211,240,241,300,301, WCD240
Smoke Detector (Supply Air)^{②③}		
FIYSMDT225A	Supply Air Smoke Detector	TC/YCD150,151,180,210, WCD150B-180
FIYSMDT228A	Supply Air Smoke Detector	TC/YCD181,211,240,241,300,301, WCD240
FIYSMDT303AA	Supply Air Smoke Detector	TC/YCH150,151, 180, 210, 180-300E,WCH150-180
FIYSMDT305AA	Supply Air Smoke Detector	TC/YCH181,211,240,241,300,301,180-300E, WCH150-240
Smoke Detectors (Supply and Return Air) for units with economizer^{①②③}		
Option cannot be ordered in conjunction with field installed economizer.		
FIYSMDT226A	Supply and Return Air Smoke Detector	TC/YCD150,151,180,210, WCD150,180
FIYSMDT229A	Supply and Return Air Smoke Detector	TC/YCD181,211,240,241,300,301, WCD240
FIYSMDT304AA	Supply and Return Air Smoke Detector	TC/YCH150,151, 180, 210, 180-300E,WCH150-180
FIYSMDT306AA	Supply and Return Air Smoke Detector	TC/YCH181,211,240,241,300,301,180-300E, WCH150-240
Smoke Detectors (Supply and Return Air) for units without economizer^{①②③}		
FIYSMDT227A	Supply and Return Air Smoke Detector	TC/YCD150,151,180,210, WCD150,180B
FIYSMDT230A	Supply and Return Air Smoke Detector	TC/YCD181,211,240,241,300,301, WCD240B
FIYSMDT304AA	Supply and Return Air Smoke Detector	TC/YCH150,151, 180, 210, 180-300E,WCH150-180
FIYSMDT306AA	Supply and Return Air Smoke Detector	TC/YCH181,211,240,241,300,301,180-300E, WCH150-240
① The return air smoke detector may not fit up or work properly on the Packaged Rooftop Units 12½-25 Tons when used in conjunction with 3rd party accessories (such as bolt on heat wheels, economizers, and power exhaust). Do not order the return air smoke detectors when using this type of accessory.		
② Smoke Detectors available for downflow units only.		
③ Functional only with ReliaTel™ Options Module (FIYABR002B).		
Stainless Steel Heat Exchanger		
FIYSSHX001A	150 MBH Stainless Steel Heat Exchanger	YC*150,151 Low Heat
FIYSSHX002A	250 MBH Stainless Steel Heat Exchanger	YC*150,151 High Heat YC*155,175,180,181,200,210,211,240,241,250,300 and 301 Low Heat
FIYSSHX003A	350 MBH Stainless Steel Heat Exchanger	YC*155,175,180,181,210,211 High Heat
FIYSSHX004A	400 MBH Stainless Steel Heat Exchanger	YC*200,240,241,250,300,301 High Heat
Switches^①		
FIYDFPS005A	Clogged Filter Switch	All Packaged Rooftop Units 12½-25 Tons
FIYDFPS006A	Fan Failure Switch	All Packaged Rooftop Units 12½-25 Tons
① Functional only with ReliaTel™ Options Module (FIYABR002B).		
TCl		
FIYICSI004B	Comm 3/4 Communication Interface - when combination of oversize motor and TCl is required.	All Units w/B or C in 10th Digit and TXV Units w/H, J, K or L in 10th Digit

Downflow/Horizontal Packaged Cooling, Packaged Gas/Electric/Packaged Heat Pump Factory Installed Options (FIOPS)

Table FIOPS-9-A — Accessories

Model Number	Description	Used With
Through the Base Electrical		
Must be used with Unit Mounted Disconnect Switch or Unit Mounted Circuit Breaker. When adding heat, must order American Standard Electric Heat. If no factory installed Unit Mounted disconnect Switch or Unit Mounted Circuit Breaker is required, order the Through the Base Utility Access Option (FIYTBUA****)		
FIYTBUE206A	Through-the-Base Electrical Option	Consult Matrix Sheets
FIYTBUE207A	Through-the-Base Electrical Option	Consult Matrix Sheets
FIYTBUE208A	Through-the-Base Electrical Option	Consult Matrix Sheets
FIYTBUE209A	Through-the-Base Electrical Option	Consult Matrix Sheets
FIYTBUE210A	Through-the-Base Electrical Option	Consult Matrix Sheets
FIYTBUE211A	Through-the-Base Electrical Option	Consult Matrix Sheets
FIYTBUE212A	Through-the-Base Electrical Option	Consult Matrix Sheets
FIYTBUE213A	Through-the-Base Electrical Option	Consult Matrix Sheets
FIYTBUE214A	Through-the-Base Electrical Option	Consult Matrix Sheets
FIYTBUE215A	Through-the-Base Electrical Option	Consult Matrix Sheets
FIYTBUE216A	Through-the-Base Electrical Option	Consult Matrix Sheets
FIYTBUE300AA	Through-the-Base Electrical Option	Consult Matrix Sheets
FIYTBUE301AA	Through-the-Base Electrical Option	Consult Matrix Sheets
FIYTBUE302AA	Through-the-Base Electrical Option	Consult Matrix Sheets
FIYTBUE303AA	Through-the-Base Electrical Option	Consult Matrix Sheets
FIYTBUE304AA	Through-the-Base Electrical Option	Consult Matrix Sheets
FIYTBUE305AA	Through-the-Base Electrical Option	Consult Matrix Sheets
FIYTBUE306AA	Through-the-Base Electrical Option	Consult Matrix Sheets
FIYTBUE307AA	Through-the-Base Electrical Option	Consult Matrix Sheets
FIYTBUE308AA	Through-the-Base Electrical Option	Consult Matrix Sheets
FIYTBUE309AA	Through-the-Base Electrical Option	Consult Matrix Sheets
FIYTBUE310AA	Through-the-Base Electrical Option	Consult Matrix Sheets
Through The Base Gas Piping		
FIYTBUE202A①	Through-the-Base Gas Piping	YCD150,151 Low & High Heat YCD180-301 Low Heat
FIYTBUE203A①	Through-the-Base Gas Piping	YCD180-301 High Heat
FIYTBUE205A②	Through-the-Base Gas Piping	YCD150,151 Low & High Heat YCD180-301 Low Heat
FIYTBUE206A②	Through-the-Base Gas Piping	YCD180-301 High Heat
① Must order when ordering through-the-base electrical or through-the-base access option (downflow only). ② Order when not ordering through-the-base electrical or through-the-base access option (downflow only).		
Through the Base Utilities Access		
Order this accessory when no factory installed Unit Mounted Disconnect Switch or Unit Mounted Circuit Breaker is required. If factory installed Unit Mounted Disconnect or Unit Mounted Circuit Breaker is required, order the Through the Base Electrical Option (FIYTBUE****) from the FIOP Matrix page.		
FIYTBUE204A	Through the Base Utilities Access	YCD150,151,180,210
FIYTBUE205A	Through the Base Utilities Access	TCD150,151,180,210, WCD150,180
FIYTBUE206A	Through the Base Utilities Access	YCD181,211,240,241,300,301
FIYTBUE207A	Through the Base Utilities Access	TCD181,211,240,241,300,301, WCD240,300
Tool-less Condenser Hail Guard		
FIYGARD001B	Tool-less Condenser Hail Guard	TC/YC*150, WC*150
FIYGARD002B	Tool-less Condenser Hail Guard	TC/YC*151,180,210, WC*180
FIYGARD003A	Tool-less Condenser Hail Guard	TC/YC*181,211,240,241,301,WC*240
FIYGARD005A	Tool-less Condenser Hail Guard	TC/YC*300
2" Pleated Filters		
FIYPLTD001A	2" Pleated Filters	TC/YC*150,151,180,210, WC*150,180
FIYPLTD002A	2" Pleated Filters	TC/YCD181,211,240,241,300,301, WCD240
FIYPLTD003A	2" Pleated Filters	TC/YCH181,211,240,241,300,301, WCH240

American Standard Comfort Controls

Ultimate
Premium
Contemporary

Comfort features you can take to the bank.

- **AccuLink™ communicating capability (900 family)**
Receives status and operating information from other components of the AccuLink™ system, displaying up to 26 error codes. Diagnostic alert signal lights up to notify homeowner of system error. Also enables remote monitoring and programming by phone.*
- **Auto discovery (900 family)**
Minimizes installer setup by automatically detecting and configuring the AccuLink equipment settings and airflow.
- **Humidification with frost control/dehumidification (900 family)**
Regulates proper moisture levels through the humidifier or air conditioner, depending on the desired level of humidity in the home. Built-in frost control option reduces humidification when condensation or frost could occur on windows during winter months.
- **Simplified wiring (900 family)**
Enables faster, easier installation with three-wire connections to indoor equipment and two-wire connections to outdoor equipment.
- **Interactive backlit touchscreen (800 & 900 families)**
A responsive touchscreen that is easy to read and easy to use, even in low lighting.
- **Programmable fan (800 & 900 families)**
Increases air circulation and provides better air filtration when combined with an American Standard AccuClean™ air filtration system. This feature improves comfort and indoor air quality.
- **Multiple fan settings (800 & 900 families)**
Ability to program wake, leave, return and sleep settings for heating and cooling for 7 different days.

Ultimate



900 Family



800 Family

- **Armchair programming (800 family)**
The control can be removed from the wall so programming can be set from the comfort of a living room chair.
- **Real-time clock (800 & 900 families)**
Correct time is maintained, even when the power fails, thanks to a 10-year lithium battery. And the clock automatically adjusts itself to daylight-saving time.
- **Indoor air quality reminders (200, 400, 800 & 900 families)**
Let customers know when it's time to replace air filters or humidifier pads.
- **Auto changeover**
When set to auto, the control automatically switches between heating and cooling to maintain maximum home comfort year round.
- **Effortless programming (600, 800 & 900 families)**
A clear, menu-driven setup makes programming quick and easy.
- **Streamlined design**
Its attractive and sleek look fits discreetly into any home décor.

*Telephone Access Module (TAM) required for remote system monitoring. American Standard indoor and outdoor unit required for communicating capability.

American Standard
Comfort Controls

American Standard Comfort Controls

Premium



600 Family



400 Family

Contemporary



200 Family

Comfort features you can take to the bank.

- **Backlit display and keys**
(200, 400 & 600 families)
Illuminate when keypad button is pressed.
- **Indoor air quality reminders**
(200, 400, 800 & 900 families)
Let customers know when it's time to replace air filters or humidifier pads.
- **Energy savings mode** (200 & 400 families)
When the \$ key is pressed, the thermostat will automatically be set to a temperature that will save money.
- **Business card drawer** (200 & 400 families)
Holds a business card for service calls and easy referral.
- **Auto changeover**
When set to auto, the control automatically switches between heating and cooling to maintain maximum home comfort year round.
- **Effortless programming**
A clear, menu-driven setup makes programming quick and easy.
- **Streamlined design**
Its attractive and sleek look fits discreetly into any home décor.

American Standard Comfort Controls

Comfort Controls Features	Ultimate				Premium				Contemporary
	900	803	802	800	602	600	402	401	
AccuLink™ communicating capability	•								
7-day programmable	•	•	•	•					
5/2 programmable					•	•			
Energy Star®	•	•	•	•	•	•			
Non-programmable							•	•	•
One-touch energy-savings mode							•	•	•
Interactive touchscreen	•	•	•	•					
Remote access and control of system settings by phone (1)	•								
Indoor fan options	ON/AUTO	ON/AUTO	ON/AUTO	ON/AUTO	ON/AUTO	ON/AUTO	ON/AUTO	ON/AUTO	ON/AUTO
Indoor fan minimum run time option (~35%)	CIRC.	CIRC.	CIRC.	CIRC.					
Adjustable continuous fan airflow settings	25 TO 100% (3)						35 TO 100% (2)		
Auto changeover	•	•	•	•	•	•	•	•	•
Backlighting and improved readability	•	•	•	•	•	•	•	•	•
Number of filter change reminders	2	1	1	1			1	1	1
Humidifier pad change reminder	•	•	•	•					
Humidity sensor	•	•							
Dehumidification control	•	•							
Proprietary humidity control	•								
Humidification control	•								
Window frost control	•								
Keypad lock	•	•	•	•			•	•	•
Dealer business card holder							•	•	•
Remote indoor temperature sensor		OPTIONAL	OPTIONAL	OPTIONAL			OPTIONAL		
Outdoor temperature sensor	BUILT-IN (4)	OPTIONAL	OPTIONAL	OPTIONAL			•	OPTIONAL	
Number of stages	4H/2C	3H/2C	3H/2C	1H/1C	2H/2C	1H/1C	3H/2C	2H/1C	1H/1C
System alerts displayed on screen	•								
Heritage Hybrid™/Dual Fuel	•	•					•		
Approx. display size (sq. in.)	10	10	10	10	5	5	3	3	3

1. Telephone access module required.
2. Variable-speed indoor unit required.
3. AccuLink indoor unit required.
4. AccuLink outdoor unit required.

American Standard
Comfort Controls

American Standard Comfort Controls

Your Profit-ability with American Standard Heating & Air Conditioning

Sell-ability

- Innovative communicating technology (900 family)
- Easy to use and easy to read
- Special features such as energy-savings mode and IAQ reminders
- Precision engineering
- Variety of controls compatible to matched systems
- Attractive and streamlined to fit any home decor

Install-ability

- Easy installation
- Simplified wiring (900 family)
- Universal functionality – gas, oil, electric

Service-ability

- Displays up to 26 error codes (900 family)
- Diagnostics alert signal (900 family)
- Virtually eliminates calls for programming help

Performance-ability

- Effortless programming
- Temperature accuracy to ± 1 degree
- Fan options improve air quality
- Humidification/Dehumidification control

Rely-ability

- 10-year lithium battery for real-time clock (800 & 900 families)
- Tested to perform over time
- 5-year warranty

A warranty for you and your customers.

Not only does an American Standard Extended Warranty protect your customers, it allows you to maintain a relationship with them and generate future business. Extended warranties are also a great way to promote your reputation in the community and collect referrals, while ensuring customer satisfaction.

American Standard Heating & Air Conditioning benefits for your customers

Reliable performance

Design innovations and rigorous testing ensure that our name goes on only the most reliable products.

Durable construction

Materials for all components are torture-tested for consistent, reliable, long-lasting performance and durability.

Enhanced comfort

Add American Standard accessories such as Comfort Controls and Humidifiers to enhance overall performance and maximize comfort.

Cleaner air

Add an AccuClean™ air cleaner to remove up to 99.98% of airborne allergens from filtered air for a cleaner, more comfortable home.

Efficient operation

Increased efficiency may lower heating or cooling costs.

A reputation built on reliability and durability.

We salute independent American Standard Heating & Air Conditioning dealers who work to improve the lives of their customers' families. Our promise to you is to continually dedicate ourselves to creating and manufacturing new and innovative products – products that make you and your customers a lot more comfortable.

American Standard
HEATING & AIR CONDITIONING
americanstandardair.com

Comfort Control Definitions

Calibration

The relationship of the dial setting and the cut-in temperature of the thermostat.

Cut-in Point

The temperature at which the thermostat calls for system operation.

Cut-out Point

The temperature at which the thermostat stops calling for heating or cooling.

Cycle Rate

The number of times per hour that the heating equipment is cycled on at half load conditions.

Droop

An indoor temperature control condition where the room remains below the thermostat setting. This control occurs in mild cooling conditions and is caused by the cooling anticipator resistor which provides a false heat source for the thermostat to maintain relative humidity control.

Heat Anticipator

(Sometimes called a Preheat Resistor.)

A bias heater that shuts off the thermostat before the room reaches the thermostat setting.

Manual or Mechanical Differential

The difference (Degrees F) between cut-in and cut-out temperature with no electrical load connected to the thermostat.

Operating Differential

The difference (Degrees F) in cut-in and cut-out temperature when the thermostat is actually operating equipment. Operating differential is less than mechanical differential.

Range

Minimum to maximum temperature scale shown on dial.

Sensor

A device that measures and communicates temperature of the conditioned space in which it is located to a system controller.

Set Point

The temperature at which the thermostat indicator is set.

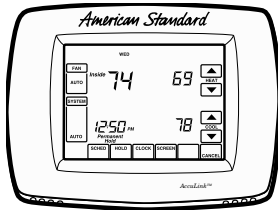
Two Piece Thermostat

System consisting of a sensor mounted in the controlled space communicating to a controller which establishes the systems operation.

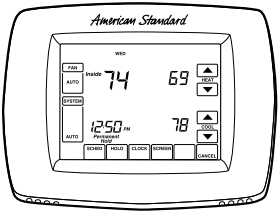
Power Stealing 4 Wire

4-wire system that receives or "steals" power from the heating or cooling circuit to power the thermostat. Factory supplied resistors must be installed for proper operation.

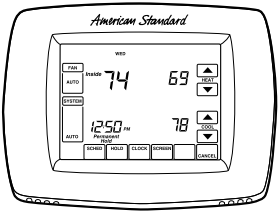
Programmable 7 Day Comfort Controls



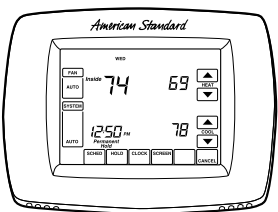
ACONT900A



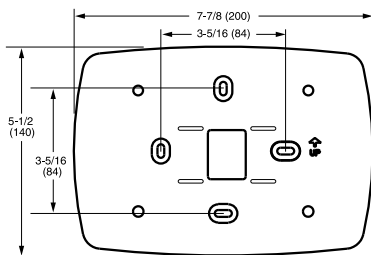
ACONT800A



ACONT802A



ACONT803A



BAYCOVR600A

ACONT900A - AccuLink™

- Communicating Programmable
- Interactive Touchscreen
- Adjustable Continuous Fan, 25-100%
- Multiple Filter Reminders
- Humidity Sensor
- Dehumidification Control
- Window Frost Control
- Dual Fuel Compatible
- Energy Star

Application:

- 4 Heat/3 Cool (Gas, Oil or Electric)
- BAYTAM00AC00UA - Communicating Telephone Access module

Dimensions:

- 6.02" w x 4.62" h x 1.35" d
- Finish: Bright White

ACONT800A

- Interactive Touchscreen
- Effortless Programming
- Large, Backlit Display
- Streamlined Design
- Armchair Programming
- Real Time Clock
- Visual Reminder Cues
- BAYCOVR600A - Wall cover plate
- Energy Star

Application:

- 1 Heat/1 Cool (Gas, Oil or Electric)
- 1 Heat/0 Cool (Gas, Oil or Electric)
- 0 Heat/1 Cool
- ZZSENSAL0800AA - Remote Indoor Temperature Sensor

Dimensions:

- 6.02" w x 4.62" h x 1.35" d
- Finish: Bright White

ACONT802A

- Interactive Touchscreen
- Effortless Programming
- Large, Backlit Display
- Streamlined Design
- Armchair Programming
- Real Time Clock
- Visual Reminder Cues
- BAYCOVR600A - Wall cover plate
- Energy Star

Application:

- Up to 3 Heat/2 Cool (Gas, Oil or Electric)/HP
- ZZSENSAL0800AA - Remote Indoor Temperature Sensor

Dimensions:

- 6.02" w x 4.62" h x 1.35" d
- Finish: Bright White

ACONT803A

- Built-in Humidity Sensor
- Dehumidification Control
- Interactive Touchscreen
- Effortless Programming
- Large, Backlit Display
- Streamlined Design
- Armchair Programming
- Real Time Clock
- Visual Reminder Cues
- BAYCOVR600A - Wall cover plate
- Energy Star

Application:

- Up to 3 Heat/2 Cool (Gas, Oil or Electric)/HP
- ZZSENSAL0800AA - Remote Indoor Temperature Sensor

Dimensions:

- 6.02" w x 4.62" h x 1.35" d
- Finish: Bright White

BAYCOVR600A

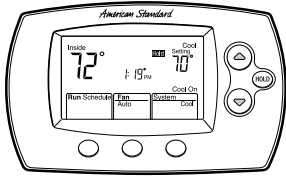
Application:

- Use with ACONT800/900A Series Comfort Controls

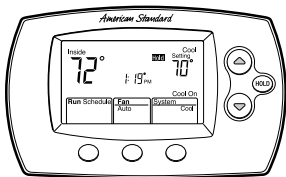
Dimensions:

- 7.87" w x 5.50" h
- Finish: Bright White

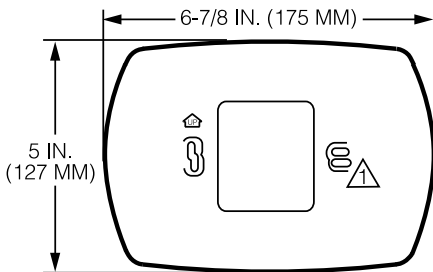
Programmable 5/2 Day Comfort Controls



ACONT600A



ACONT602A



MEDIUM COVER PLATE

BAYCOVR700A

ACONT600A

- 1 Heat/1 Cool
- 5/2 or 5/1/1 Programming
- Simple to Install and Use
- Front Wired (Wires attach to wall plates)
- Standard Wiring Terminal Block
- Easy to follow Sequential Programming
- Inside and set temperatures displayed simultaneously
- No auxiliary heat capability
- Plain language (no symbols)
- Easy battery access
- Easy to understand soft key controls
- BAYCOVR700A - Wall cover plate
- Energy Star

Application:

- 1 stage heat pump, 0 stage Aux Heat
- 1 stage cool, 1 stage heat (Gas, electric, or oil)
- 1 stage cool, 0 stage heat
- 0 stage cool, 1 stage heat (Gas, electric, or oil)

Dimensions:

- 5.81" w x 3.56" h x 1.50" d
- Finish: Bright White

ACONT602A

- 2 Heat/2 Cool
- 5/2 or 5/1/1 Programming
- Simple to Install and Use
- Front Wired (Wires attach to wall plates)
- Standard Wiring Terminal Block
- Easy to follow Sequential Programming
- Inside and set temperatures displayed simultaneously
- Plain language (no symbols)
- Easy battery access
- Easy to understand soft key controls
- BAYCOVR700A - Wall cover plate
- Energy Star

Application:

- 1 stage cool, 1 stage heat
- 2 stage cool, 1 stage heat
- 1 stage cool, 2 stage heat
- 2 stage cool, 2 stage heat
- 1 stage cool, 0 stage heat
- 0 stage cool, 1 stage heat (Gas, electric, or oil)
- 1 stage heat pump, 0 stage Aux Heat
- 1 stage heat pump, 1 stage Aux Heat

Dimensions:

- 5.81" w x 3.56" h x 1.50" d
- Finish: Bright White

BAYCOVR700A

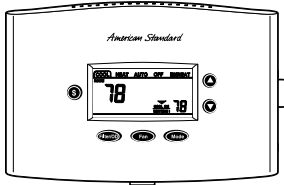
Application:

- Use with ACONT600A Series Comfort Controls

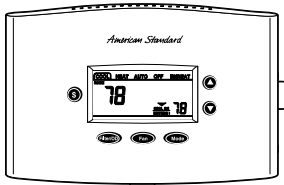
Dimensions:

- 6.87" w x 5.0" h
- Finish: Bright White

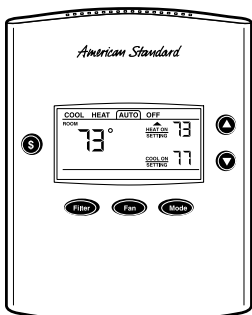
Non-Programmable Comfort Controls



ACONT402A



ACONT401A



ACONT200A

ACONT402A

- Auto Changeover
- Backlit Display & Keys
- Comfort Information Compartment
- Energy Savings Mode
- Filter Reminder
- BAYSEN01ATEMPAA-Outdoor Temperature Sensor included*
- Keypad Lock

Application (3-9 Wire Hookup -2 for Outdoor Sensor) Heat Pump* or A/C

- 3 Heat/2 Cool
- No external Dual Fuel Kit Required
- Do not use with TAYPLUS103A
- ZZSENSAL0400AA - Remote Indoor Temperature Sensor

Dimensions:

- 6.75" w x 4.52" h x 1.20" d
- Finish: Bright White
- * Requires external relay for oil furnace applications.
- * Installation is required for outdoor temperature sensing and display
- * BAYSEN01ATEMPAA required for outdoor temperature sensing and display

ACONT401A

- Auto Changeover
- Backlit Display & Keys
- Comfort Information Compartment
- Energy Savings Mode
- Filter Reminder
- Outdoor Temperature Sensor
- Keypad Lock

Application (3-9 Wire Hookup -2 for Outdoor Sensor) Heat Pump* or A/C

- 1 Stage Heat Pump**, 1 Stage Aux Heat
- 1 Stage Heat Pump**, 0 Stage Aux Heat
- 1 Stage Cool, 2 Stage Heat (Gas, Electric or Oil*)

- 1 Stage Cool, 1 Stage Heat (Gas, Electric or Oil*)
- 1 Stage Cool, 0 Stage Heat
- 0 Stage Cool, 2 Stage Heat (Gas, Electric or Oil*)
- 0 Stage Cool, 1 Stage Heat (Gas, Electric or Oil*)

Dimensions:

- 6.75" w x 4.52" h x 1.20" d
- Finish: Bright White
- * Requires external relay for oil furnace applications.
- ** **External TAYPLUS103A required for dual fuel applications.** BAYSEN01ATEMPAA required for outdoor temperature sensing and display

ACONT200A*

- Auto Changeover
- Backlit Display & Keys
- Comfort Information Compartment
- Energy Savings Mode
- Filter Reminder
- Key Pad Lock

Application (4 wire hookup - power stealing)*

- 1 Heat/1 Cool (Gas, Oil or electric)
- 1 Heat/0 Cool (Gas, Oil or electric)
- 0 Heat/1 Cool
- Finish: Bright White

Dimensions:

- 4.25" w x 5.33" h x 1.20" d

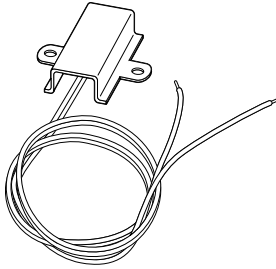
* Power Stealing 4 Wire - Resistor Terminal in Box. 4 - wire system to supply power with heating mode; both resistors must be installed for proper operation.

Remote Sensors



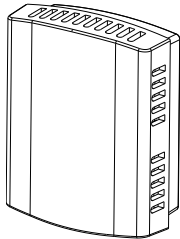
BAYSEN02ATEMPAA

- Outdoor Temperature Sensor for Use with ACONT800, 802, 803
- Accuracy +/- 1°F from -40 to 120°F



BAYSEN01ATEMPAA

- Outdoor Temperature Sensor for Use with ACONT401A & 402A
- Accuracy +/- 15°F over 32°F to 100°F
- Display Range -40°F to 140°F

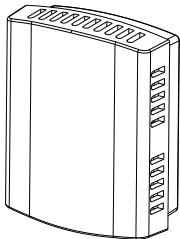


ZZSENSAL0400AA

- Indoor Sensor for Use with ACONT402 Comfort Controls
- Operating Ambient Temperature Range: 20° to 120°F (-6.7° to 48.9°C)
- Display Range: 20° to 120°F (-6.7° to 48.9°C)
- Sensor Accuracy: +/- .5°F at 75°F
- Operating Relative Humidity: 5% to 90% non-condensing

Dimensions in in. (mm):

- 1.54 (39)w x 1.93 (49)h x .625 (1.6)d
- Storage Temperature: -40° to 140°F (-40° to 60°C)
- Finish: White



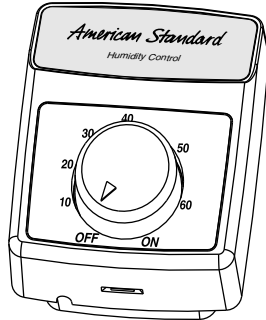
ZZSENSAL0800AA

- Indoor Temperature Sensor for Use with ACONT800, 802, 803
- Operating Ambient Temperature Range: 20° to 120°F (-6.7° to 48.9°C)
- Display Range: 0 to 99°F (-18 to 37°C)
- Sensor Accuracy: +/-1.5°F at 70°F (+/- .84 at 21°C)
- Operating Relative Humidity: 5% to 95% non-condensing

Dimensions in in. (mm):

- 1.54 (39)w x 1.93 (49)h x .625 (1.6)d
- Storage Temperature: -40° to 140°F (-40° to 60°C)
- Finish: White

Humidity Control



ASYSTAT625A

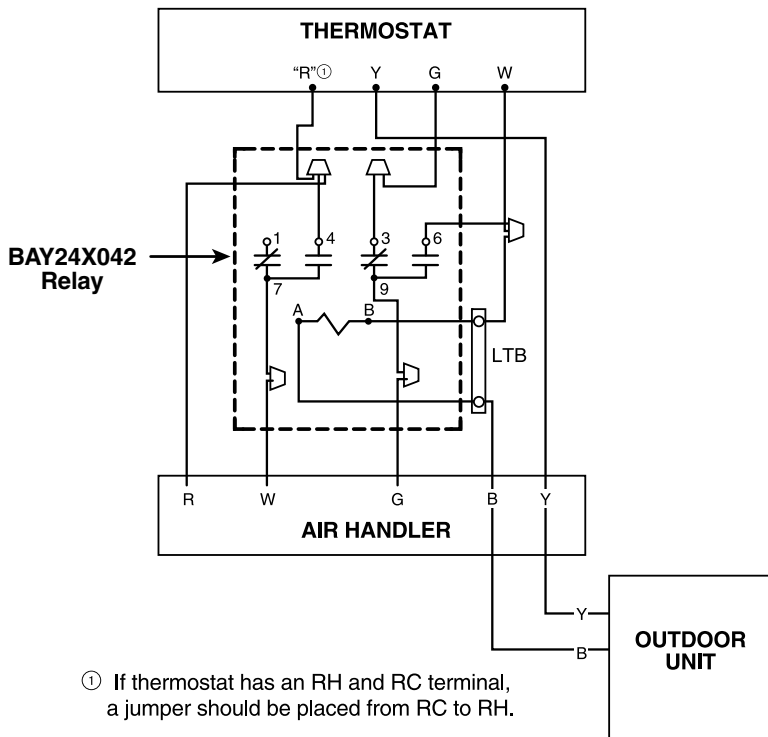
• **Heating Cycle Humidity Control**
The humidity control provides automatic low voltage control of humidifiers in central heating and cooling applications. It has an spst, snap-acting, dust-proof switch that opens when humidity rises above the control setting. It is designed for wall or surface duct mounting.

- Bright White Finish

Note: For use w/variable speed indoor products "ONLY"

• **Cooling Cycle Humidity**
When activated, the humidity control lowers the furnace/air handler blower speed, reducing air velocity over the furnace/air handler coil and removing a greater amount of moisture from the air.

Relay Hook-Up

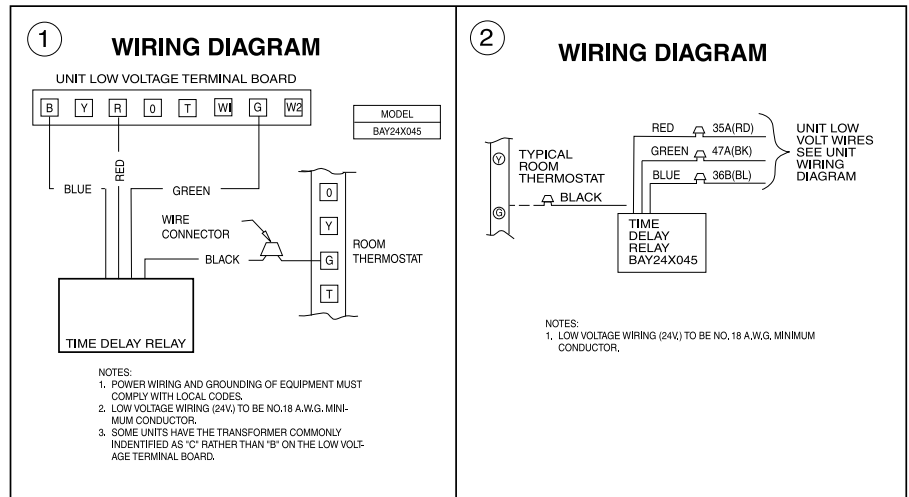


- BAY24X042 relay for fan operation when using electric heat.
- This sample hook-up diagram illustrates Field Connections for cooling only units, electric heat and automatic change over control.
- On a call for heat, the relay provides for instant fan-on. Without the relay, you will get no airflow or heat! Relay is not needed with Fossil Fuel on Heat Pump applications.

Indoor Fan Delay Relay Kit

BAY24X045

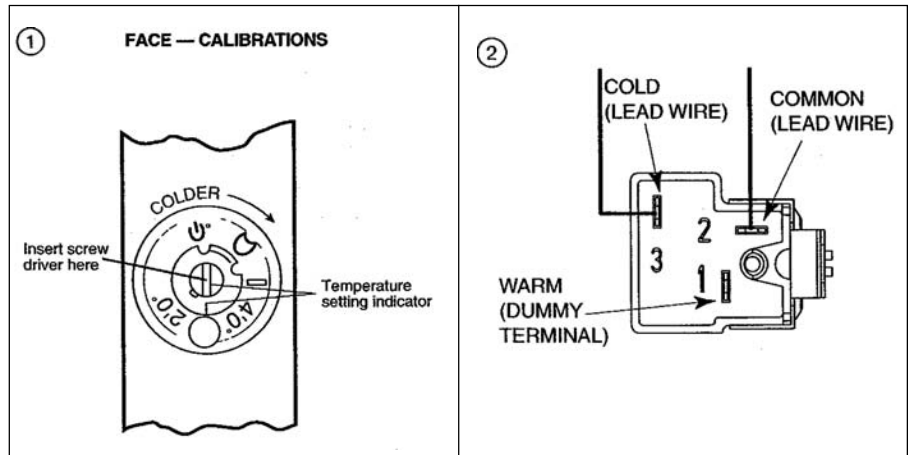
- For application to furnaces and air handlers with cooling coils equipped with capillary tube or 15% bleed expansion valve components.
- This kit allows the indoor fan to continue to run a short time after the outdoor unit shuts off for increased cooling efficiency.
- The kit contains: 1 solid state time delay relay with four (4) color coded wires, 1 wiring diagram, 1 notice label, 1 mounting screw.



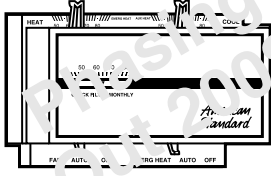
Outdoor Thermostat Kit

ASYSTAT250B

- The outdoor thermostat (ODT) is designed to turn "ON" the supplementary heater at a pre-selected outdoor temperature.
- The number and setting of the ODT is dependent on the heat loss of the structure and capacity of the heating system installed.
- This model ODT gives a temperature range for 44°F. to -10°F. (See figure 1 for settings). The switching action is single pole/double throw, opening on temperature rise and closing on temperature fall, completing the circuit through the thermostat.



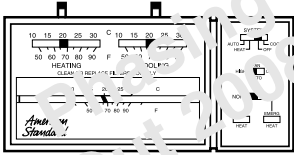
Heat Pump Comfort Controls



Heat Pump ASYSTAT650

- 2-Stage Heat/1-Stage Cool
- Deluxe Auto Changeover
- Emergency Heat/Auto/Off System Switch

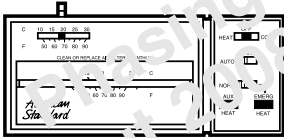
- Auto/On Fan Switch
- Auxiliary and Emergency Heat Indicator Lights
- Thermometer Can Be Calibrated
- Clear Plastic Set Point Levers
- Finish Beige and Gold



Heat Pump ASYSTAT653A

- 3 Heat/2 Cool
- Automatic or Manual Changeover
- Can be Used for Economizer Operation
- Includes Stat and Subbase
- Auto/Heat/Off/Cool System Switch
- High/Auto/Low Fan Switch

- Normal Emergency Heat Switch
- Auxiliary and Emergency Heat Indicator Lights
- Used with System²
- Deluxe Clear Plastic Cover
- Clear Plastic Set Point Levers
- Minimum differential between heating and cooling is 4°F
- Finish: Bright White

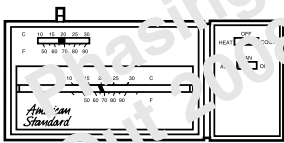


Heat Pump ASYSTAT655A

- 2 Heat/1 Cool
- Manual Changeover
- Includes Stat and Subbase
- Heat/Off/Cool System Switch

- Auto/On Fan Switch
- Normal/On Emergency Heat Switch
- Emergency Heat Indicator Light
- Clear Plastic Set Point Levers
- Finish: Bright White

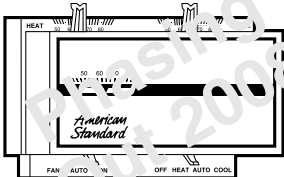
Multiple Stage Comfort Controls



Multiple Stage ASYSTAT606

- 2 Heat/1 Cool
- Manual Changeover
- Heat/Off/Cool System Switch
- Auto/On Fan Switch

- Includes Stat and Subbase
- Clear Plastic Set Point Lever
- Requires BAY24X042 (DPDT Relay) for indoor fan operation when used for Electric Heat
- Finish: Bright White



Multiple Stage ASYSTAT611

- 2 Heat/2 Cool-Can be Used for Economizer Operation
- With ASYSTAT617 Subbase: Manual Changeover Instant On Fan (for Electric Heat) Heat/Off/Cool System Switch Auto/On Fan Switch
- With ASYSTAT616 Subbase: Automatic Changeover Off/Auto System Switch Auto/On Fan Switch

- Requires BAY24X042 Relay for Indoor Fan Operation when Used for Electric Heat
- Clear Plastic Set Point Levers
- Adjustable Heat Anticipator
- Thermometer can be Calibrated
- Finish: Beige and Gold

Cooling Only Comfort Controls



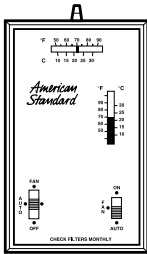
Cooling Only ASYSTAT603

- 0 Heat/1 Cool
- Off/Auto Fan System Switch
- Clear Plastic Set Point Lever

- Finish: Bright White

PHASE OUT 2008

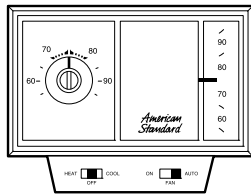
Single Stage Comfort Controls



Single Stage ASYSTAT604

- 1 Heat/1 Cool
- Manual Changeover
- Heat/Off/Cool System Switch
- On/Auto Fan Switch
- Clear Plastic Set Point Lever

- Gas Heat Compatible
- Adjustable Heat Anticipator
- Electric Heat Compatible; jumper terminals 1 & 2 together
- Adjustable Heat Anticipator
- Finish: Bright White

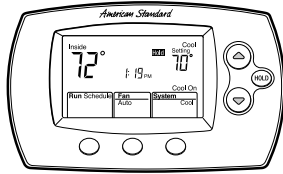


Single Stage ASYSTAT605

- 1 Heat/1 Cool
- Manual Changeover
- Heat/Off/Cool System Switch
- On Auto Fan Switch
- Set Point Dial

- Gas Heat Compatible
- Electric Heat Compatible; jumper terminals 1 & 2 together
- Calibrate by Adjusting the Cam Rider Screw
- Adjustable Heat Anticipator
- Finish: Bright White

Non-Programmable Comfort Controls for ReliaTel™ Units

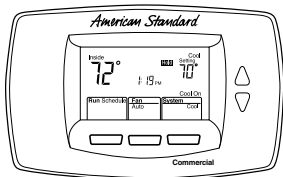


ASYSTAT095A

ASYSTAT095A

- One-touch temperature control.
- Large, clear, backlit display is easy to read, even in the dark.
- Displays both room temperature and temperature setting.
- Removable battery holder for fast, easy replacement.
- Built-in compressor protection.
- **Focus Pro 3 Heat/ 2 Cool**

Programmable Comfort Controls for ReliaTel™ Units

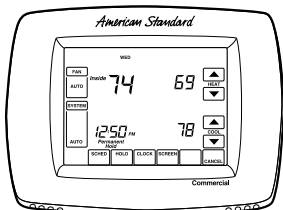


ASYSTAT090A

ASYSTAT090A

- Large, Clear Display with Backlighting—Current temperature, set temperature and time are easy-to-read and all are displayed on the main screen.
- Menu Driven Programming—Provides guidance through the scheduling process, showing only necessary information and choices on each screen.
- Ability to Select Multiple Days—Allows easy customizing for unique schedules.
- Real-Time Clock—Keeps time during power failure; automatically updates for daylight saving time.

- Armchair Programming—Can remove thermostat from wall to set the schedule.
- Precise Temperature Control (± 1 °F)—reliable, consistent comfort.
- Multiple OVERRIDE options—Can modify schedule for a specific period of time (up to 365 days).
- Outdoor Temperature Indication—Displays current outdoor temperature to help plan outdoor activities.
- **2 Heat/2 Cool**



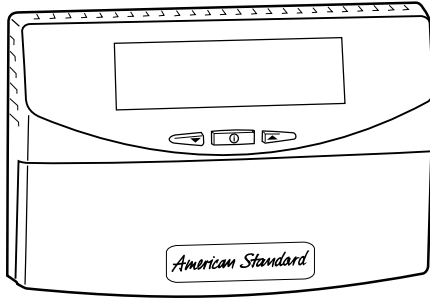
ASYSTAT092A

ASYSTAT092A

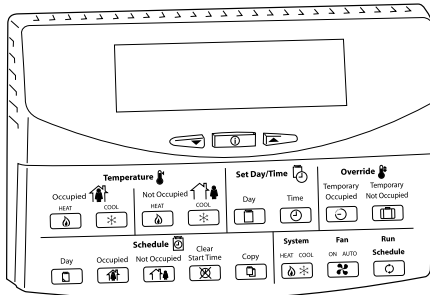
- Large, Clear Display with Backlighting — Current temperature, set temperature and time are easy-to-read and all are displayed on the main screen.
- Menu Driven Programming — Provides guidance through the scheduling process, showing only necessary information and choices on each screen.
- Ability to Select Multiple Days — Allows easy customizing for unique schedules.
- Real-Time Clock — Keeps time during power failure; automatically updates for daylight savings.

- Armchair Programming — Can remove thermostat from wall to set the schedule. Precise Temperature Control (± 1 °F) — reliable, consistent comfort.
- Multiple OVERRIDE options — Can modify schedule indefinitely or for a specific period of time.
- Programmable Fan — Increases indoor air quality when combined with air cleaning equipment.
- Outdoor Temperature Indication — Displays current outdoor temperature to help plan outdoor activities.
- **2 Heat/2 Cool Commercial Vision Pro**

Programmable Comfort Controls for ReliaTel™ Units



ASYSTAT093A – with cover closed



ASYSTAT093A – shows display with cover open

ASYSTAT093A

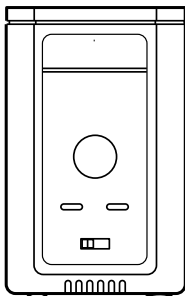
ASYSTAT093A

- Typically used in buildings (including: restaurants, shopping malls, office buildings and banks) under 55,000 square feet.
- For single zone rooftop units, split systems, heat pumps or hot/chilled water systems.
- **3 Heat/ 2 Cool**
- 7-day programming.
- Two occupied and two NOT occupied periods per day.
- Keypad multi-level lockout available with all models.
- Individual heat and cool set-points available for occupied and NOT occupied periods.
- Convenient overrides allow temporary set-point changes.
- Intelligent Fan™ feature energizes fan continuously in the occupied periods. Fan can also be configured for conventional heat or electric heat fan operation.
- Remote sensor capability for temperature (including outdoor air and discharge air) and humidity sensors. (BAYSTAT060A)
- Return air duct sensor
- P+D control minimizes temperature fluctuations.

- Recovery ramping control automatically optimizes equipment start times based on building load.
- Thermostat Interface Module (TIM) connections to thermostat from PDA for advanced configuration, programming, etc.
- Universal Versaguard™ Thermostat guards available.
- Auxiliary subbase contact typically interface with a Honeywell Economizer System (for total rooftop control integration) or act as dehumidification output

Features Available via PDA Configuration

- 365 day clock with holiday programming.
- Automatic Daylight Saving Time adjustments.
- Selectable dehumidification limit control.
- Modulating output configuration.
- Occupancy input to control standby set-point
- Additional standby period used in low traffic areas.
- Sequential start option.
- Discharge air high/low limits.
- Selectable recovery ramp.
- Ambient lockout (with outdoor sensor)



ASYSTAT800A

ASYSTAT800A

- Wall mounted remote space sensor
- For use with ASYSTAT090A, ASYSTAT092A, and ASYSTAT093A programmable thermostats

Zone Sensor Unit Installation

The zone sensor provides the operator control and zone temperature sensing functions for use with electronic unit controls. Refer to the appropriate unit installation manual for interconnecting wiring instructions.

ZONE SENSOR LOCATION

To ensure proper operation, select a location on an interior wall, at a height approximately 5 feet above the floor, with freely circulating air of average temperature.

Avoid Locations:

- Behind doors or in corners where air does not freely circulate.
- On an outside wall or any wall with unheated (uncooled) areas behind the zone sensor.
- Where direct sunlight or any Source: of radiant heat could affect the temperature measurements.
- In line with the discharge air from the unit being controlled.

Mount the zone sensor base on the wall or optional mounting plate with the wires routed through the wire access hole in the base of the zone sensor.

ZONE SENSOR CONTROLS

Emergency Heat/Heat/Auto/Off/Cool

This switch determines whether the unit operates in emergency heat (EM. HEAT - for heat pumps only), heating (HEAT), automatically changing from heating to cooling as required (AUTO), heating and cooling functions disabled (OFF), or cooling (COOL).

Fan Auto/Fan On

This switch determines whether the indoor fan operates during cooling and heating cycles only (FAN AUTO) or runs continuously (FAN ON).

Temperature Adjustments

One or two temperature adjustment controls are provided to set the desired temperature or temperature range (for unit mode AUTO). If two controls are present, the blue control sets the desired temperature for cooling and the red control sets the desired temperature for heating.

Temperature Indicator

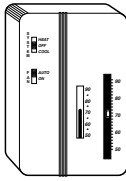
This indicates the temperature in the zone. The indicator has been factory calibrated and should not normally require adjustment. If adjustment is needed, it can be accomplished by slowly rotating a small screwdriver in the slot on the back of the indicator until the correct temperature is obtained.

Optional Remote Sensor

When using the optional remote sensor (BAYSENS077A), it should be located in the space that is to be controlled. Wire according to the interconnecting wiring diagrams in the unit IOM.

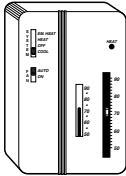
Installation: 18-HD60D41
Source: Clarksville

Micro Control Zone Sensors



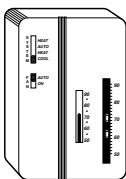
**Manual Changeover
ASYSSTAT106A
SEN0417**

- 4 wires required.
- Single Setpoint for 3-25 Tons Electric/Electric TCD/TCH and Gas/Electric Systems YCD/YCH
- Can be used with Remote Sensor (ASYSSTAT669)



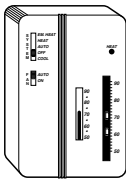
**Manual Changeover
ASYSSTAT107A
SEN0418**

- 4-6 wires required.
- Single Setpoint for Heat Pump Systems (WCD/WCH 3-20 Tons)
- Can be used with Remote Sensor (ASYSSTAT669)



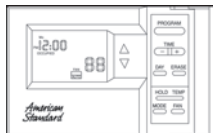
**Automatic Changeover
ASYSSTAT108A
SEN0419**

- 5 wires required.
- Dual Setpoint for Electric/Electric and Gas Electric Systems (TCD/TCH and YCD/YCH 3-25 Tons)
- Can be used with Remote Sensor (ASYSSTAT669)



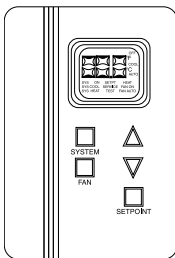
**Automatic Changeover
ASYSSTAT109A
SEN0420**

- 5-7 wires required.
- Dual Setpoint for Heat Pump Systems (WCD/WCH 3-20 Tons)
- Can be used with Remote Sensor (ASYSSTAT669)



**Programmable
Night Setback
ASYSSTAT666C Heat/Cool
SEN0421**

- 3-7 wires required.
- Can be used with Remote Sensor (ASYSSTAT669)
- ASYSSTAT666B used with:
TCD/TCH, YCD/YCH 12.5-25 Tons,
WCD/WCH 3-20 Tons, T°C, Y°C, WSC-
(Reliater™) 3-10 Tons and TTA090-TTA240
(Reliater™)



**LCD Digital
Display Zone Sensor
ASYSSTAT709A/707A**

- 3-7 wires required.
- Non-Programmable Zone Sensor with a digital display
- ASYSSTAT709A - Cool/Gas
- ASYSSTAT707A - Heat Pumps

Zone Sensors must be used with Micro Control units. Vendor Thermostats which use Triac outputs are not recommended with Micro Control units. Major features lost by using a Conventional Thermostat include the following:

- No diagnostics
- Proportional Integral control
- No smart recovery in the heating mode (heat pumps)
- 2-stage electric heat (heat pumps)
- Stand alone set up and set back for unoccupied features
- Intelligent fall back (unit can run on default value with outdoor air sensor)
- Control wiring size may be increased
- Remote sensing capability
- Space temperature averaging
- Supply air tempering
- Economizer preferred cooling is lost (compressor operation is locked out below 50°F)

Packaged Terminal Air Conditioners And Heat Pumps



- Exclusive patent pending Dehumidification Control provides up to 30% more moisture removal
- Flexible digital Interface provides wall or unit mounted control adjustment. Wall mounted Interface uses 2 unpolarized wires for connection
- Plug and Play display means on demand commissioning algorithm and automatic start-up delay
- The Universal Heater as a standard option means "Everything is stocked and ready to ship"
- Defrost Control - All units are equipped with heat pump control algorithm that prevents freezing of the condenser, while optimizing comfort

Table PTAC/UH-1-A — PTEE — Packaged Terminal Air Conditioner

2006 Base Unit Model	Power Supply Volts/Phase/Hz	Cooling Capacity	EER	COP	Cabinet H x W x D	Shipping Weight
PTEE0701UAB	208-230/1/60	7,000	12.0	—	16 1/6 x 42 x 13 3/4	109
PTEE0701WAB	208-230/1/60	7,000	12.0	—	16 1/6 x 42 x 13 3/4	109
PTEE0702UAB	265/1/60	7,300	12.0	—	16 1/6 x 42 x 13 3/4	109
PTEE0702WAB	265/1/60	7,300	12.0	—	16 1/6 x 42 x 13 3/4	109
PTEE0704WAB	115/1/60	7,200	12.2	—	16 1/6 x 42 x 13 3/4	109
PTEE0901UAB	208-230/1/60	9,000	11.4	—	16 1/6 x 42 x 13 3/4	110
PTEE0901WAB	208-230/1/60	9,000	11.4	—	16 1/6 x 42 x 13 3/4	110
PTEE0902UAB	265/1/60	8,700	11.3	—	16 1/6 x 42 x 13 3/4	110
PTEE0902WAB	265/1/60	8,700	11.3	—	16 1/6 x 42 x 13 3/4	110
PTEE0904WAB	115/1/60	9,300	11.5	—	16 1/6 x 42 x 13 3/4	110
PTEE1201UAB	208-230/1/60	11,800	11.2	—	16 1/6 x 42 x 13 3/4	122
PTEE1201WAB	208-230/1/60	11,800	11.2	—	16 1/6 x 42 x 13 3/4	122
PTEE1202UAB	265/1/60	11,800	11.3	—	16 1/6 x 42 x 13 3/4	122
PTEE1202WAB	265/1/60	11,800	11.3	—	16 1/6 x 42 x 13 3/4	122
PTEE1204WAB	115/1/60	12,000	11.2	—	16 1/6 x 42 x 13 3/4	122
PTEE1501UAB	208-230/1/60	13,900	10.0	—	16 1/6 x 42 x 13 3/4	132
PTEE1501WAB	208-230/1/60	13,900	10.0	—	16 1/6 x 42 x 13 3/4	132
PTEE1502UAB	265/1/60	14,400	9.80	—	16 1/6 x 42 x 13 3/4	132
PTEE1502WAB	265/1/60	14,400	9.80	—	16 1/6 x 42 x 13 3/4	132

- ① All units require either a power cord or hard wire kit to power the unit
 ② The Hydronic chassis "W" ships with no electric heat and no plastic front cover
 ③ All 265volt chassis require subbase, fuses and socket.

Table PTAC/UH-1-B — PTHE — Packaged Terminal Heat Pump with Electric Heat

2006 Base Unit Model	Power Supply Volts/Phase/Hz	Cooling Capacity	EER	COP	Cabinet H x W x D	Shipping Weight
PTHE0701UAB	208-230/1/60	7,400	12.0	3.2	16 1/6 x 42 x 13 3/4	115
PTHE0702UAB	265/1/60	7,200	12.0	3.2	16 1/6 x 42 x 13 3/4	115
PTHE0901UAB	208-230/1/60	9,100	11.4	3.2	16 1/6 x 42 x 13 3/4	117
PTHE0902UAB	265/1/60	8,700	10.8	3.0	16 1/6 x 42 x 13 3/4	117
PTHE1201UAB	208-230/1/60	12,000	11.2	3.1	16 1/6 x 42 x 13 3/4	127
PTHE1202UAB	265/1/60	11,700	11.0	3.2	16 1/6 x 42 x 13 3/4	127
PTHE1501UAB	208-230/1/60	13,600	9.90	2.9	16 1/6 x 42 x 13 3/4	138
PTHE1502UAB	265/1/60	13,600	9.90	2.9	16 1/6 x 42 x 13 3/4	138

- ① All units require either a power cord or hard wire kit to power the unit.
 ② All 265volt chassis require subbase, fuses and socket.

Contact your American Standard Heating & Air Conditioning Territory Manager for more information.

Packaged Terminal Air Conditioners And Heat Pumps

Table PTAC/UH-2-A — Options for Powering PTACS

115 Volt			
Option 1	Required:	Universal Power Cord 15 Amp 115V 15A Receptacle	BAYPCRD007 Field Supplied
Option 2	Required:	Subbase Power Cord 115V 15A Receptacle	BAYSUB001 BAYPCRD007 Field Supplied
Option 3	Required:	Hard Wire Kit Connector for Hardwire Power Switch	BAYHWRK001 BAYCNHK031 BAYPSW002
208 - 230 Volt			
Option 1	Required:	Universal Power Cord 15, 20 or 30 Amp Power Receptacle	BAYPCRD008, BAYPCRD009, or BAYPCRD003 Field Supplied
	Optional:	Power Switch	BAYPSW002
Option 2	Required:	Universal Power Cord 15, 20 or 30 Amp Universal Subbase Socket for subbase 20 or 30 Amp	BAYPCRD008 - BAYPCRD009 BAYPCRD003 BAYSUB001 BAYSCKT001 - BAYSCKT002
	Optional:	Circuit Breaker 15, 20 or 30 Amp Power Switch	BAYCBKR001 - BAYCBKR002 BAYCBKR003 - BAYPSW002
Option 3	Required:	Hard Wire Kit Connector for Hardwire Kit for 15, 20 or 30 Amp	BAYHWRK001 BAYCNHK011 - BAYCNHK012 BAYCNHK013
	Optional:	Power Switch	BAYPSW002
265 Volt			
Option 1	Required:	Universal Power Cord 15, 20 or 30 Amp Universal Subbase Socket for subbase 20 or 30 Amp Fuse 15, 20 or 30 Amp	BAYPCRD004 - BAYPCRD005 BAYPCRD006 BAYSUB001 BAYSCKT003 - BAYSCKT004 BAYFUSE001 - BAYFUSE002 BAYFUSE003
	Optional:	Power Switch	BAYPSW002
Option 2	Required:	Hard Wire Kit Connector for Hardwire Kit for 15, 20 or 30 Amp Universal Subbase Fuse 15, 20 or 30 Amp	BAYHWRK001 BAYCNHK021 - BAYCNHK022 BAYCNHK023 BAYSUB001 BAYFUSE001 - BAYFUSE002 BAYFUSE003
	Optional:	Power Switch	BAYPSW002

Contact your American Standard Heating & Air Conditioning Territory Manager for more information.

Table PTAC/UH-3-A — Accessories

Order Number	Description
BAYAAGL001	Architectural Aluminum Grille
BAYAAGL002	Architectural Aluminum Grille - Dark Bronze
BAYAAGL003	Architectural Aluminum Grille - Soft Dove
BAYAAGL004 ^①	Architectural Aluminum Grille - Special Color
BAYSAG002	Stamped Aluminum Grille - 10 Pieces/Pack
BAYWSLV001 ^②	13" Wall Sleeve
BAYWSLV002 ^②	18" Wall Sleeve
BAYWSLV003 ^②	24" Wall Sleeve
BAYLVLG001 ^③	Leveling Leg
BAYDRAN001 ^④	Drain Kit
BAYPCRD001 ^⑤	Universal Power Cord 230 Volt - 15 Amp
BAYPCRD008	Universal Power Cord 230 Volt-15 Amp (for UAB models only)
BAYPCRD002 ^⑤	Universal Power Cord 230 Volt - 20 Amp
BAYPCRD009	Universal Power Cord 230 Volt-20 Amp (for UAB models only)
BAYPCRD003 ^⑤	Universal Power Cord 230 Volt - 30 Amp
BAYPCRD004 ^⑤	Universal Power Cord 265 Volt - 15 Amp
BAYPCRD005 ^⑤	Universal Power Cord 265 Volt - 20 Amp
BAYPCRD006 ^⑤	Universal Power Cord 265 Volt - 30 Amp
BAYPCRD007 ^⑤	Universal Power Cord 115 Volt - 15 Amp
BAYHWRK001 ^⑥	Hard Wire Kit
BAYCNHK011 ^⑦	Connector for Hardwire Kit 208/230V - 15 Amp
BAYCNHK012 ^⑦	Connector for Hardwire Kit 208/230V - 20 Amp
BAYCNHK013 ^⑦	Connector for Hardwire Kit 208/230V - 30 Amp
BAYCNHK021 ^⑦	Connector for Hardwire Kit 265V - 15 Amp
BAYCNHK022 ^⑦	Connector for Hardwire Kit 265V - 20 Amp
BAYCNHK023 ^⑦	Connector for Hardwire Kit 265V - 30 Amp
BAYPSW002 ^⑧	Power Switch -115V, 208/230V 265V
BAYSUB001 ^⑨	Universal Subbase
BAYSCKT001 ^⑩	Socket for Subbase 208/230 20AMP
BAYSCKT002 ^⑩	Socket for Subbase 208/230 30AMP
BAYSCKT003 ^⑩	Socket for Subbase 265 20AMP
BAYSCKT004 ^⑩	Socket for Subbase 265 30AMP

① Contact TNDC- St Louis on special color grille.

② To be ordered for all installations except where existing wall sleeves are used.

③ Used when a subbase is not required, but additional support and leveling is needed. The adjusting screw can be extended 2 inches with maximum distance from the bottom of the wall sleeve to screw base of 5 inches and a minimum distance of 3 inches.

④ Attaches to wall sleeve for controlled indoor or outdoor disposal of condensate to a field supplied drainage system.

⑤ All PTAC units require a power cord or hard wire kit to power the unit. If 265V in addition to the power cord a universal subbase and socket for subbase are required. For 230/208V units using a power cord, the subbase and socket are optional.

⑥ This kit provides convenient space to make electrical connection to building wiring. Includes flexible conduit, and wire to make connection from unit chassis. The connectors for Hard wire kit need to be ordered for this Hard wire kit accessory.

⑦ Required when using a Hard wire kit.

⑧ The Power switch can be installed on the hard wire junction box and provides a way to shut on and off the PTAC unit. Also its an optional accessory when using the Power Cord to power the PTAC unit. Check local codes for approval.

⑨ Provides a space to tie into building wiring and also includes a receptacle to plug unit into. Gives additional leveling and support capabilities. Provides a place for circuit breaker or mechanical disconnect to be mounted.

⑩ All subbases require a socket.

Contact your American Standard Heating & Air Conditioning Territory Manager for more information.

Table PTAC/UH-4-A — Accessories (continued)

Order Number	Description
BAYCBKR001①	Circuit Breaker - 208/230 15AMP
BAYCBKR002①	Circuit Breaker 208/230 20AMP
BAYCBKR003①	Circuit Breaker - 208/230 30AMP
BAYFLTR009②	Spare Filters 10 Pack
BAYFUSE001③	Fuse 15 AMP
BAYFUSE002③	Fuse 20 AMP
BAYFUSE003③	Fuse 30 AMP
BAYAMDM001④	Display Module (American Standard Heating & Air Conditioning Logo Standard)
BAYAMDM002④	Display Module (American Standard Heating & Air Conditioning Logo & Dehumidification)
BAYACVR001⑤	Escutcheon Cover for Front Panel (American Standard Heating & Air Conditioning Logo)
BAYPCVR001⑥	Plastic Front Cover for PTAC
HSK01LSSA	Hydronic Steam Heat Kit 208/230VAC, Left Hand
HSK01RSSA	Hydronic Steam Heat Kit 208/230VAC, Right Hand
HSK02LSSA	Hydronic Steam Heat Kit 265VAC, Left Hand
HSK02RSSA	Hydronic Steam Heat Kit 265VAC, Right Hand
HSK04LSSA	Hydronic Steam Heat Kit 115VAC, Left Hand
HSK04RSSA	Hydronic Steam Heat Kit 115VAC, Right Hand
HWK01LSSA	Hydronic Hot Water Heat Kit 208/230VAC, Left Hand
HWK01RSSA	Hydronic Hot Water Heat Kit 208/230VAC, Right Hand
HWK02LSSA	Hydronic Hot Water Heat Kit 265VAC, Left Hand
HWK02RSSA	Hydronic Hot Water Heat Kit 265VAC, Right Hand
HWK04LSSA	Hydronic Hot Water Heat Kit 115VAC, Left Hand
HWK04RSSA	Hydronic Hot Water Heat Kit 115VAC, Right Hand

- ① The Circuit Breaker can be installed on front of subbase and provides over current protection and means of shutting unit on and off.
- ② Using the field installed, permanent, cleanable filters will keep debris off the coil and out of the air. Unit will operate more efficiently if filters are changed regularly.
- ③ Fuses are required for all 265 volt applications.
- ④ All PTAC units require either a Display module or a wall mounted Thermostat to operate the unit. If Wall mounted controls the PTAC unit will require a Escutcheon cover to be mounted on the unit.
- ⑤ This escutcheon cover should be ordered whenever the display module is wall mounted or a thermostat or third party provider unit controls are ordered.
- ⑥ All Hydronic PTAC chassis come standard without a plastic front cover for use with a hot water kit. If unit is required to work with out heat and with out Hydronic kit the plastic front cover should be ordered.

Contact your American Standard Heating & Air Conditioning Territory Manager for more information.

Indoor Gas Heating Products

American Standard Heating & Air Conditioning now offers one of the most complete lines of indoor and outdoor gas heating products on the market today!

Propeller fan gas unit heaters, centrifugal gas unit heaters, duct furnaces, horizontal blower assemblies, indoor make-up air handlers and rooftop gas heating units are available in a wide range of sizes with a variety of factory-installed options to meet your application needs. All units are CSA certified, conforming to the toughest standards for safe and efficient operation. Contact the local American Standard Heating & Air Conditioning sales office for more information.



Propeller Fan Gas Unit Heaters Model APND/APPD

The American Standard Heating & Air Conditioning propeller gas unit heater is a complete heat generating and distribution plant equipped with automatic safety controls. Available for natural or propane gas operation, this unit heater carries a ten-year non prorated warranty on the heat exchanger, draft hood assembly and burners.

Table PTAC/UH-5-A — Propeller Fan Gas Unit Heaters

APND/APPD	003	004	006	007	010	012	015	017	020	022	025	030	035	040
Input MBh	30.0	45.0	60.0	75.0	100.0	125.0	150.0	175.0	200.0	225.0	250.0	300.0	350.0	400.0
Output MBh	24.3	36.5	48.6	60.8	80.0	100.0	120.0	140.0	160.0	180.0	200.0	240.0	280.0	320.0
Flue Outlet	4"R	4"R	5"R	5"R	6"R	6"R	7"R	7"R	8"R	8"R	8"R	10"OV	10"OV	12"OV
CFM	700	800	1050	1100	1480	1650	2200	2530	2640	2700	3100	4400	5000	5300
Temperature Rise F	30	42	42	50	50	56	50	51	56	61	60	50	52	56
Outlet Velocity	700	750	640	672	950	900	1045	1070	1000	950	980	1100	1150	1050
Nominal Horsepower	1/30	1/30	1/30	1/30	1/20	1/10	1/4	1/3	1/3	1/3	1/3	(2) 1/4	(2) 1/3	(2) 1/3
Motor Full Load Amps	1.3	1.3	1.3	1.3	2.6	2.8	4.0	4.5	4.5	4.5	4.5	8.0	9.0	9.0



Centrifugal Fan Gas Unit Heaters Model ACND/ACPD

Centrifugal fan gas unit heaters are designed for applications where ductwork or discharge nozzles are used. They are ideal for commercial and institutional applications where a low noise level is desired. A duct discharge flange may be ordered in lieu of horizontal louvers. These gas unit heaters carry a ten-year non-prorated warranty on the heat exchanger, draft hood assembly and burners.

Table PTAC/UH-5-B — Centrifugal Fan Gas Unit Heaters

ACND/ACPD	010	012	015	017	020	022	025	030	035	040
Input MBh	100.0	125.0	150.0	175.0	200.0	225.0	250.0	300.0	350.0	400.0
Output MBh	80.0	100.0	120.0	140.0	160.0	180.0	200.0	240.0	280.0	320.0
Flue Outlet	6"R	6"R	7"R	7"R	8"R	8"R	8"R	10"OV	10"OV	12"OV
Free Air Delivery	1200	1575	1975	2300	2400	2600	2850	3950	4600	4800
Temperature Rise F	62	59	56	56	62	64	65	56	56	62
Outlet Velocity	880	950	1030	1045	965	935	930	1080	1090	1000
Nominal Horsepower	1/4	1/3	1/2	1/2	3/4	3/4	3/4	3/4	1	1
Motor Full Load Amps	5.0	5.9	7.2	7.2	11.0	11.0	11.0	11.0	14.0	14.0

The State of California requires a steady-state efficiency of 80% for both indoor and outdoor gas heating equipment. All units shipping to the state of California require intermittent pilot ignition.

Contact your American Standard Heating & Air Conditioning Territory Manager for more information.

Indoor Gas Heating Products



High Efficiency Propeller Fan Gas Unit Heaters Model AHND/AHPD

American Standard Heating & Air Conditioning high efficiency propeller gas unit heaters can achieve annual fuel savings of 20 to 25 percent or more over conventional gravity-vented heaters. Features include a factory installed flue vent fan and sealed flue collector that control combustion and excess air during the on-cycle. Heated air no longer escapes through the draft diverted opening during the off cycle. Energy-saving intermittent pilot ignition reduces gas losses. The pilot only operates when required. Horizontal

power venting allows for side wall venting, smaller openings and single-walled vent pipe. These high efficiency gas fan unit heaters carry a ten-year non-prorated warranty on the heat exchanger, flue collector and burners.

Table PTAC/UH-6-A — High Efficiency Propeller Fan Gas Unit Heater

AHND/AHPD	003	004	006	007	010	012	015	017	020	022	025	030	035	040
Input MBh	30.0	45.0	60.0	75.0	100.0	125.0	150.0	175.0	200.0	225.0	250.0	300.0	350.0	400.0
Output MBh	24.0	36.0	48.0	60.0	80.0	100.0	120.0	140.0	160.0	180.0	200.0	240.0	280.0	320.0
Flue Outlet (1)	5 1/8"	5 1/8"	5 1/8"	5 1/8"	5 1/8"	5 1/8"	5 1/8"	5 1/8"	5 1/8"	5 1/8"	5 1/8"	5 1/8"	5 1/8"	5 1/8"
Rec. Flue Size	4"R	4"R	4"R	4"R	4"R	4"R	4"R	4"R	4"R	5"R	5"R	5"R	6"R	6"R
CFM	750	800	1050	1100	1480	1650	2200	2530	2640	2700	3100	4400	5000	5300
Temperature Rise F	30	42	42	50	50	56	50	51	56	61	60	50	52	56
Outlet Velocity	680	720	610	640	775	910	1045	1070	1010	950	980	1100	1150	1050
Nominal Horsepower	1/30	1/30	1/30	1/30	1/20	1/10	1/4	1/3	1/3	1/3	1/3	(2) 1/4	(2) 1/3	(2) 1/3
Motor Amps	1.3	1.3	1.3	1.3	2.6	2.8	4.0	4.5	4.5	4.5	4.5	8.0	9.0	9.0

1. All flue outlets are 5 1/8" O.D. ±1/32" (reducer by installer where required). Inceaser supplied by manufacturer for 030,035,040 sizes.



High Efficiency Centrifugal Fan Gas Unit Heaters Model ABND/ABPD

The American Standard Heating & Air Conditioning high efficiency centrifugal fan gas unit heater incorporates the same features as the high efficiency propeller unit heater. An exceptionally balanced centrifugal blower assembly results in quieter operation. The high efficiency centrifugal fan is also well-suited for high static applications where ductwork is required. Duct discharge flanges may be ordered in lieu of horizontal louvers to accommodate ductwork. American Standard Heating & Air Conditioning high efficiency centrifugal fan

gas unit heater carries a ten-year non-prorated warranty on the heat exchanger, flue collector and burners.

Table PTAC/UH-6-B — High Efficiency Centrifugal Fan Gas Unit Heater

ABND/ABPD	010	012	015	017	020	022	025	030	035	040
Input MBh	100.0	125.0	150.0	175.0	200.0	225.0	250.0	300.0	350.0	400.0
Output MBh	80.0	100.0	120.0	140.0	160.0	180.0	200.0	240.0	280.0	320.0
Flue Outlet (1)	5 1/8"	5 1/8"	5 1/8"	5 1/8"	5 1/8"	5 1/8"	5 1/8"	5 1/8"	5 1/8"	5 1/8"
Flue Outlet	4"R	4"R	4"R	4"R	5"R	5"R	5"R	6"R	6"R	6"R
Free Air Delivery	1200	1575	1975	2300	2400	2600	2850	3950	4600	4800
Outlet Velocity	880	950	1030	1045	965	935	930	1080	1090	1000
Nominal Horsepower	1/4	1/3	1/2	1/2	3/4	3/4	3/4	3/4	1	1
Motor Amps	5.1	6.6	7.4	7.4	12.0	12.0	12.0	12.0	15.4	15.4

1. All flue outlets are 5 1/8" O.D. ±1/32" (reducer by installer where required). Inceaser supplied by manufacturer for 030,035,040 sizes.

The State of California requires a steady-state efficiency of 80% for both indoor and outdoor gas heating equipment. All units shipping to the state of California require intermittent pilot ignition.

Contact your American Standard Heating & Air Conditioning Territory Manager for more information.

Indoor Gas Heating Products



Indoor Gas Duct Furnaces Model ADND/ADPD

Also available with bottom or side access to the burner drawer.

American Standard Heating & Air Conditioning duct furnaces are CSA certified for installation downstream of cooling coils in air conditioning systems. Both LP (propane) and natural gas units are available with left or right-hand controls for ganging of units in the field. Approved in blow-thru applications only.

Table PTAC/UH-7-A — Indoor Gas Duct Furnaces

ADND/ADPD	010	012	015	017	020	022	025	030	035	040
Input MBh	100.0	125.0	150.0	175.0	200.0	225.0	250.0	300.0	350.0	400.0
Output MBh	80.0	100.0	120.0	140.0	160.0	180.0	200.0	240.0	280.0	320.0
Max CFM	2469	3086	3704	4321	4938	5556	6173	7407	8642	9877
Pressure Drop	.90	.80	.75	.75	.75	.75	.80	.90	.90	.90
Min Temperature Rise F	30	30	30	30	30	30	30	30	30	30
Min CFM	929	1157	1389	1620	1852	2083	2315	2778	3241	3704
Pressure Drop	.12	.13	.15	.14	.14	.14	.14	.13	.13	.14
Max Temperature Rise F	80	80	80	80	80	80	80	80	80	80
Flue Outlet	6"R	6"R	7"R	7"R	8"R	8"R	8"R	10"OV	10"OV	12"OV

1. All flue outlets are 5 1/8" O.D. ±1/32" (reducer by installer where required). Inceaser supplied by manufacturer for 030,035,040 sizes.



High Efficiency Indoor Gas Duct Furnace Model ALND/ALPD

Energy saving intermittent pilot ignition reduces gas losses. The pilot operates only when required. Horizontal power venting allows side wall venting, smaller openings and single wall vent pipe.

The American Standard Heating & Air Conditioning high efficiency duct furnaces can achieve annual fuel savings of 20 to 25 percent or more over conventional gravity vented units. Features include a factory installed flue vent fan and sealed flue collector that control combustion and excess air during the on-cycle. Heated air no longer escapes through the draft diverted opening during the off cycle.

Table PTAC/UH-7-B — High Efficiency Indoor Gas Duct Furnace

ALND/ALPD	010	012	015	017	020	022	025	030	035	040
Input MBh	100.0	125.0	150.0	175.0	200.0	225.0	250.0	300.0	350.0	400.0
Output MBh	80.0	100.0	120.0	140.0	160.0	180.0	200.0	240.0	280.0	320.0
Max CFM	2469	3086	3704	4321	4938	5556	6173	7407	8642	9877
Pressure Drop	0.90	0.80	0.75	0.75	0.75	0.75	0.80	0.90	0.90	0.90
Min. Temperature Rise F	30	30	30	30	30	30	30	30	30	30
Min. CFM	929	1157	1389	1620	1852	2083	2315	2778	3241	3704
Pressure Drop	0.12	0.13	0.15	0.14	0.14	0.14	0.14	0.13	0.13	0.14
Max Temperature Rise F	80	80	80	80	80	80	80	80	80	80
Flue Outlet (1)	5 1/8"	5 1/8"	5 1/8"	5 1/8"	5 1/8"	5 1/8"	5 1/8"	5 1/8"	5 1/8"	5 1/8"
Rec. Flue Size	4"R	4"R	4"R	4"R	5"R	5"R	5"R	6"R	6"R	6"R

1. All flue outlets are 5 1/8" O.D. ±1/32" (reducer by installer where required). Inceaser supplied by manufacturer for 030,035,040 sizes.

The State of California requires a steady-state efficiency of 80% for both indoor and outdoor gas heating equipment. All units shipping to the state of California require intermittent pilot ignition.

Contact your American Standard Heating & Air Conditioning Territory Manager for more information.

Indoor Gas Heating Products



Tubular Heat Exchanger Propeller Fan Unit Heater Model ATND/ATPD

The American Standard Heating & Air Conditioning tubular heat exchanger is a durable unit heater that provides an alternative to the traditional clam shell style. These propeller style units combine the latest tubular heat exchanger technology with in-shot burner design to create an efficient operating unit.

Table PTAC/UH-8-A — Tubular Heat Exchanger Propeller Gas Unit Heater

ATND/ATPD	003	004	006	007	009	010	012	015	017	020	025	030	035	040
Input MBh	30	45	60	75	90	100	125	150	175	200	250	300	350	400
Output MBh	24.3	36.5	48.6	60.8	72.9	81.0	101.3	121.5	141.8	162.0	202.5	243.0	283.5	324.0
CFM	500	750	1000	1250	1400	1600	2200	2400	2850	3200	3450	5000	5600	5800
Air Temperature Rise F	45	45	45	45	45	47	42	47	46	47	54	45	47	51
Motor Amps	1.9	1.9	2.6	2.6	2.6	4.2	4.7	4.7	5.8	5.8	5.8	9.4	11.6	11.6

The State of California requires a steady-state efficiency of 80% for both indoor and outdoor gas heating equipment. All units shipping to the state of California require intermittent pilot ignition.

Contact your American Standard Heating & Air Conditioning Territory Manager for more information.

American Standard Optional Extended Warranty Program Standard Servicer Guidelines

These guidelines should be used when submitting claims on "American Standard Extended Warranty" Agreements - Standard or Labor Option #1.

1. **ALLOWABLE LABOR RATES** _____ Dealer's standard hourly rate.

2. **PARTS MARK UP ALLOWANCE** (Used for out-of-warranty parts)

\$0.01 - 4.99	= Dealer Cost + \$5.00
\$5.00 - 24.99	= Dealer Cost x 2.0
\$25.00 - 49.99	= Dealer Cost x 1.7
\$50.00 - 149.99	= Dealer Cost x 1.6
\$150.00 - 499.99	= Dealer Cost x 1.5
\$500.00 - up	= Dealer Cost x 1.4
Refrigerant	= Dealer Cost x 2.0

IN-WARRANTY PARTS MARK UP ALLOWANCE (Used for in-Warranty Parts, years 2-5 when equipment has 5-year parts Manufacturer's Limited Warranty. Does not apply to compressor, outdoor coil, or heat exchanger. If a non-American Standard part is purchased during the Manufacturer's Limited Warranty period, dealer will be reimbursed cost of part only, maximum \$10.00)

		Labor Option #1	
\$0.01 - 4.99	=	Dealer's Normal Purchase Price,	\$5.00
\$5.00 - 24.99	=	Dealer's Normal Purchase Price x	1.0
\$25.00 - 49.99	=	Dealer's Normal Purchase Price x	0.7
\$50.00 - 149.99	=	Dealer's Normal Purchase Price x	0.6
\$150.00 - 499.99	=	Dealer's Normal Purchase Price x	0.5
\$500.00 - up	=	Dealer's Normal Purchase Price x	0.4

3. **REPAIR/REPLACE TIME** — The hours provided below constitute the maximum number of hours that may be claimed. **If your actual repair or replacement time is less than the amounts specified below, or as described in this paragraph, your actual time must be reported.** For multiple component replacements in the same unit, each additional component may receive a maximum of 0.5 hours. For any component not listed, it may receive a maximum of 0.5 hours. If your actual repair or replacement time is greater than the amounts specified below, or as described in this paragraph, and you believe that additional time is justified, please explain the circumstances of the repair or replacement in writing.

Replacement or Repaired Item	Max Hours Allowed	
	1-5 Tons	6 1/4 - 25 Tons
Refrigerant Circuit ⓐ		
Refrigerant recovery (only if required)	1.0	2.0
Compressor replacementⓑ	4.0	6.0
Condenser coil replacement	4.0	6.0
Evaporator coil replacement	4.5	6.0
Expansion valve replacement	3.0	4.0
Switch over valve replacement	3.5	4.5
Check valve replacement or service valve	2.0	3.0
Drier replacement	1.0	1.0
Schrader core	0.5	0.5
Tighten valves (caps, cores, rotolocks)	0.5	0.5
Repairable leak in fitting, etc. (Brazing required, explain work done)	2.0	3.0
Electrical Controls		
Any component replacement	0.5	0.5
Hard start kit	0.5	—
Thermostat (Indoor)	1.0	1.0
Thermostat (Outdoor)	0.5	0.5
Crankcase heater replacement	0.5	0.5
Condenser Fan Assemblies		
Fan blade replacement	0.5	0.5
Motor replacement (includes fan blade, capacitor)	1.5	1.5
Evaporator Fan Assembly		
Blower wheel replacement	1.0	1.0
Motor replacement (includes blower wheel, capacitor)	1.5	1.5
Replace module (includes motor)	1.0	1.0
Bearing replacement - each	0.5	0.5
Sheaves replacement - each (includes belt)	0.5	0.5
Belt replacement	0.5	0.5
Drain pan replacement	2.0	2.0
Heating Section		
Any control replacement (ignitor, sensor, ignition control, etc.)	0.5	0.5
Heating element replacement	1.0	1.0
Combustion blower replacement	1.0	1.0
Gas valve replacement	1.0	1.0
Heat exchanger replacement	4.0	6.0
Burners	1.0	1.0
Economizer Section		
Any control replacement	0.5	0.5
Actuator replacement	1.0	1.0
Misc. Section		
Solve noise complaintⓑ	0.5	0.5
Diagnostic Chargeⓐ	0.5	0.5
Multiple Components	0.5	0.5

On November 28, 2007 American Standard Companies Inc. changed its name to Trane Inc. This is a name change only and does not affect any of the rights or obligations associated with the Extended Warranty program. The change does, however, extend to subsidiaries of American Standard Companies Inc., now known as Trane Inc. Throughout this document, references to the American Standard Companies Inc. subsidiaries should be changed as follows: American Standard Inc. is now known as Trane U.S. Inc. American Standard Warranty Company is now known as Standard Trane Warranty Company

The name change does not change or alter any of the terms and conditions of the Extended Warranty policy or its administration.

NOTES:

- ⓐ Diagnostic calls will be paid only on covered repairs. (Not paid on maintenance or dirty sock)
- ⓑ All times allowed requiring entry or repair to refrigerant circuit includes evacuation, recharge and drier change.
- ⓒ All times allowed for compressor replacement includes drier change, clean-up, evacuation and recharge.
- ⓓ Crane allowance up to \$150 is allowed on systems applied in a commercial application only. (Not allowed on parts only warranty.)

- ⓔ Sales tax, if applicable, will be reimbursed to the dealer.
- ⓕ All times not shown for specific tasks - Call 1-800-554-8005.
- ⓖ Noise complaint paid only when noise due to internal component failure or malfunction. Maximum time allowed is 0.5 hrs. plus the time allowed for the component replacement/repair. Explain fully.
- ⓗ Pay only one (1) man per job.
- ⓘ All invoices must be received within sixty (60) days of the repair.

TRAVEL TIME: (Flat Rate Dealers cannot charge Travel Time)
24 miles or less, one way - add 1/2 hour based on your established labor rate.
25 miles or greater, one way - add 1 hour based on your established labor rate.
Only one (1) trip charge paid per service call.

ALL CLAIMS RELATED DECISIONS MADE BY AMERICAN STANDARD WARRANTY COMPANY ARE FINAL.

American Standard Optional Extended Warranty Program Expanded Servicer Guidelines

These guidelines should be used when submitting claims on "American Standard Optional Extended Warranty" Agreements - Labor Option #2 & #3.

- 1. ALLOWABLE LABOR RATES** _____ Dealer's standard hourly rate.
- 2. PARTS MARK UP ALLOWANCE** (Used for out-of-warranty parts)

\$0.01	-	4.99	=	Dealer Cost	+	\$7.50
\$5.00	-	24.99	=	Dealer Cost	x	2.5
\$25.00	-	49.99	=	Dealer Cost	x	2.1
\$50.00	-	149.99	=	Dealer Cost	x	1.9
\$150.00	-	499.99	=	Dealer Cost	x	1.7
\$500.00	-	up	=	Dealer Cost	x	1.5
Refrigerant			=	Dealer Cost	x	2.0

IN-WARRANTY PARTS MARK UP ALLOWANCE (Used for in-Warranty Parts, years 2-5 when equipment has 5 year parts Manufacturer's Limited Warranty. Does not apply to compressor, outdoor coil, or heat exchanger. If a non-American Standard part is purchased during the Manufacturer's Limited Warranty period, dealer will be reimbursed cost of part only, maximum \$10.00)

			=	Labor Option #2 and #3		
\$0.01	-	4.99	=	Dealer's Normal Purchase Price		\$7.50
\$5.00	-	24.99	=	Dealer's Normal Purchase Price	x	1.5
\$25.00	-	49.99	=	Dealer's Normal Purchase Price	x	1.1
\$50.00	-	149.99	=	Dealer's Normal Purchase Price	x	0.9
\$150.00	-	499.99	=	Dealer's Normal Purchase Price	x	0.7
\$500.00	-	up	=	Dealer's Normal Purchase Price	x	0.5

- 3. REPAIR/REPLACE TIME** — The hours provided below constitute the maximum number of hours that may be claimed. **If your actual repair or replacement time is less than the amounts specified below, or as described in this paragraph, your actual time must be reported.** For multiple component replacements in the same unit, each additional component may receive a maximum of 0.5 hours. For any component not listed, it may receive a maximum of 0.5 hours. If your actual repair or replacement time is greater than the amounts specified below, or as described in this paragraph, and you believe that additional time is justified, please explain the circumstances of the repair or replacement in writing.

Replacement or Repaired Item	Max Hours Allowed	
	1-5 Tons	6 1/4 - 25 Tons
Refrigerant Circuit²		
Refrigerant recovery (only if required)	1.0	2.0
Compressor replacement ³	4.0	6.0
Condenser coil replacement	4.0	6.0
Evaporator coil replacement	4.5	6.0
Expansion valve replacement	3.0	4.0
Switch over valve replacement	3.5	4.5
Check valve replacement or service valve	2.0	3.0
Drier replacement	1.0	1.0
Schrader core	0.5	0.5
Tighten valves (caps, cores, rotolocks)	0.5	0.5
Repairable leak in fitting, etc. (brazing required explain work done)	2.0	3.0
Electrical Controls		
Any component replacement	0.5	0.5
Hard start kit	0.5	—
Thermostat (Indoor)	1.0	1.0
Thermostat (Outdoor)	0.5	0.5
Crankcase heater replacement	0.5	0.5
Condenser Fan Assemblies		
Fan blade replacement	0.5	0.5
Motor replacement (includes fan blade capacitor)	1.5	1.5
Evaporator Fan Assembly		
Blower wheel replacement	1.0	1.0
Motor replacement (includes blower wheel, capacitor)	1.5	1.5
Module replacement (includes motor)	1.0	1.0
Bearing replacement - each	0.5	0.5
Sheaves replacement - each (includes belt)	0.5	0.5
Belt replacement	0.5	0.5
Drain pan replacement	2.0	2.0
Heating Section		
Any control replacement (ignitor, sensor, ignition control, etc.)	0.5	0.5
Heating element replacement	1.0	1.0
Combustion blower replacement	1.0	1.0
Gas valve replacement	1.0	1.0
Heat exchanger replacement	4.0	6.0
Burners	1.0	1.0
Economizer Section		
Any control replacement	0.5	0.5
Actuator replacement	1.0	1.0
Misc. Section		
Solve noise complaint ⁷	0.5	0.5
Diagnostic Charge ⁸	0.5	0.5
Multiple Components	0.5	0.5

On November 28, 2007 American Standard Companies Inc. changed its name to Trane Inc. This is a name change only and does not affect any of the rights or obligations associated with the Extended Warranty program. The change does, however, extend to subsidiaries of American Standard Companies Inc., now known as Trane Inc. Throughout this document, references to the American Standard Companies Inc. subsidiaries should be changed as follows: American Standard Inc. is now known as Trane U.S. Inc. American Standard Warranty Company is now known as Standard Trane Warranty Company. The name change does not change or alter any of the terms and conditions of the Extended Warranty policy or its administration.

NOTES:

- Diagnostic calls will be paid only on covered repairs. (Not paid on maintenance or dirty sock)
- All times allowed requiring entry or repair to refrigerant circuit includes evacuation, recharge and drier change.
- All times allowed for compressor replacement includes drier change, cleanup, evacuation and recharge.
- Crane allowance up to \$150 or 2 hrs. at a Dealer's registered rate in lieu of Crane charge is allowed on systems applied in a commercial application and if equipment is 4 tons or greater.
- Sales tax, if applicable, will be reimbursed to the dealer.
- All times not shown for specific tasks - Call 1-800-554-8005.
- Noise complaint paid only when noise due to internal component failure or malfunction. Maximum time allowed is 0.5 hours plus the time allowed for the component replacement/repair. Explain fully.
- Pay only one (1) man per job.
- All invoices must be received within sixty (60) days of the repair.

TRAVEL TIME (Flat Rate Dealers cannot charge Travel Time):

Mileage (any distance) - add 1 hour based on your established labor rate. Two (2) trip charges are allowed for major component replacement (compressor, outdoor coil, evaporator coil, switch over valve, burners, or heat exchanger).

ALL CLAIMS RELATED DECISIONS MADE BY AMERICAN STANDARD WARRANTY COMPANY ARE FINAL.

Optional Extended Warranty Benefits



Consumer Benefits

Peace of Mind

- No unexpected out-of-pocket expenses*
- Repair/Replace option allows consumer to apply repair cost toward purchase price of new equipment
- Hedge against inflation (parts, labor and refrigerant)

Assurance of Commitment

- American Standard Heating & Air Conditioning dealer assigned to their agreement has up-to-date knowledge of equipment and service techniques
- Optional Extended Warranty is transferrable to subsequent homeowners should the original owner sell their home
- Cost effective as compared to other Extended Warranties (i.e., appliances, consumer electronics, automobiles)

Dealer Benefits

- Labor Coverage after 90th Day (lower labor reserves)
- Optional Extended Warranty contracts assign selling dealer as servicer of record which could “lock in” customer for the life of the warranty
- Provides “In Warranty” parts markup (revenue opportunity)
- Additional profit opportunity by selling the Optional Extended Warranty (gross profit becomes close to net profit)
- Repair/Replace option allows consumer to apply repair costs toward purchase price of new equipment
- Dealer provides more comprehensive coverage which improves customer satisfaction with dealer and American Standard
- Encourages the sale of Maintenance Agreements
- Commercial Product up to 25 tons can be covered up to 10 years for parts and labor
- New construction dealer can include Optional Extended Warranties, capturing customers they normally don’t see (if agreement is put in the builder’s name, the agreement can be transferred to the new homeowner at no charge)

* Covers labor, refrigerant, diagnostics, and parts, subject to product coverage and terms and conditions.

Optional Extended Warranty Benefits



Example:

Assumptions:

- Unit is 4 years old and an Evaporator Coil must be replaced
- Evaporator Coil is an in-warranty part that would normally cost \$500 if purchased
- Dealer has \$70/hr. labor rate (time and material, not flat rate)
- 7 lbs. of R410A needed for repair (dealer cost is \$11/lb.)

Consumer has 10-Yr. P&L, Lbr. Opt. 3			Consumer has No		Difference
EW Pays Dealer			Optional Extended Warranty	Consumer Pays Dealer	
Labor	Travel (2 hrs.)	\$ 140.00		\$ 140.00	\$ -
	Diagnostic (.5 hrs.)	\$ 35.00		\$ 35.00	\$ -
	Repair (4.5 hrs.)	\$ 315.00		\$ 315.00	\$ -
	Total	\$ 490.00		\$ 490.00	\$ -
Parts	Coil (.5 x normal cost)	\$ 250.00		\$ - (in-warranty part)	\$ 250.00
	R410A (2 x #lbs. x dealer cost)	\$ 154.00		\$ 154.00	\$ -
Total		\$ 894.00		\$ 644.00	\$ 250.00
	Profit on Parts	\$ 327.00		\$ 77.00	\$ 250.00

- In the above example, even with a 10-year Limited Warranty on parts, the consumer still paid \$644 for a coil replacement, and you made only \$77 in profit on parts. With the Optional Extended Warranty, the consumer pays nothing for the repair and you made an additional \$250 in profit on parts



Selling Story:

- The Optional Extended Warranty should be offered at time of sale (can be included with financing)
- Use the Optional Extended Warranty Sales Brochure, Pub. No.16-1020 and the consumer benefits on the reverse side
- Point out that Limited Warranty does not cover refrigerant or labor
- If the Optional Extended Warranty is “included” in the total proposal, it is much easier to sell
- If you are in a “regulated” state, you must provide the actual purchase price (not to be less than your actual cost) on the Optional Extended Warranty Application. This amount will appear on the consumer’s agreement (see your Extended Warranty Handbook for more information on selling Optional Extended Warranties in “regulated” states)

GENERAL NOTES

1. All one (1) year term Agreements are initially intended to be sold on equipment less than five (5) years old. These Agreements can be renewed each year until the equipment is ten (10) years old when accepted by the Extended Warranty Department. Coverage begins thirty (30) days after the Agreement is sold and requires a written statement from the Servicer/Dealer stating that the condition of the equipment is acceptable for the initial sale. No statement is required for renewals unless there is a lapse in coverage.
2. All other Agreements with terms of five (5) years or greater should be sold at time of equipment sale, but may be sold on older equipment. Special provisions apply. See your Extended Warranty Handbook for additional information. Any Agreement with terms of five (5) years or greater expires based on the original install date, not the purchase date of the Agreement.
3. Any desired Agreement with terms requested other than those listed with part numbers must be approved by American Standard Heating & Air Conditioning Extended Warranty Department at 800-554-8005.
4. An "X" in the eleventh (11) digit of the extended warranty model number is used only to determine a price for that particular warranty when labor option #3 is chosen. See the Extended Warranty Handbook for details.
5. An "S" in the seventh (7) digit of the Optional Extended Warranty model number is used when the equipment is installed within 1 mile of salt water or in an environment with high sulfur content or where specifically requested by the Extended Warranty Department.

The warranty model number information in the Extended Warranty section of the Quick Reference Handbook is a PARTIAL list of the warranty model numbers available. The warranty model numbers offered by STWC are for Residential (Light Commercial) applications only. See the American Standard Heating & Air Conditioning Extended Warranty Handbook (Pub 16-1019) for a complete list.

These Optional Extended Warranties apply to complete systems when installed in Residential Applications. Coverage includes American Standard Heating & Air Conditioning condensing unit, thermostat, and air handler or furnace with evaporator coil if identified on the Agreement.

One (1) year warranties apply to equipment less than five (5) years old and can be renewed each year until the equipment is ten (10) years old when accepted by the Extended Warranty department. Five (5) year and ten (10) year warranties expire five (5) or ten (10) years from the installation date of the covered equipment no matter when purchased.

Equipment installed within 1 mile of salt water or environment with high sulfur content should use the "S" warranty models. The Warranty would be the same as below with an "S" in the 7th digit instead of the "0" below. For example, use AAYWARS004 instead of AAYWAR0004.

Condensing unit determines type of system for Extended Warranty Coverage.

WARRANTY #	TONS	DESCRIPTION	TERM	COVERAGE
AAYWAR0120	1-5	PACKAGE OR SPLIT SYSTEM	1 YR	PARTS ONLY
AAYWAR0045	1-5	PACKAGE OR SPLIT SYSTEM	1 YR	PARTS & LABOR
AAYWAR4198	1-5	PACKAGE OR SPLIT SYSTEM, RESIDENTIAL APPLICATION, WITH NON-AMERICAN STANDARD EVAPORATOR COIL	1 YR	PARTS & LABOR
AAYWAR0086 ^①	1-5	PACKAGE OR SPLIT SYSTEM	5 YR	PARTS ONLY
AAYWAR0003	1-5	PACKAGE OR SPLIT SYSTEM	5 YR	PARTS & LABOR
AAYWAR0396	1-5	PACKAGE OR SPLIT SYSTEM	5 YR	PARTS & LABOR
AAYWAR4200	1-5	PACKAGE OR SPLIT SYSTEM, RESIDENTIAL APPLICATION, WITH NON-AMERICAN STANDARD EVAPORATOR COIL	5 YR	PARTS & LABOR
AAYWAR0087 ^②	1-5	PACKAGE OR SPLIT SYSTEM	10 YR	PARTS ONLY
AAYWAR0004 ^②	1-5	PACKAGE OR SPLIT SYSTEM	10 YR	PARTS & LABOR
AAYWAR0397	1-5	PACKAGE OR SPLIT SYSTEM	10 YR	PARTS & LABOR
AAYWAR0400	1-5	PACKAGE OR SPLIT SYSTEM	10 YR	PARTS & LABOR
AAYWAR4202	1-5	PACKAGE OR SPLIT SYSTEM, RESIDENTIAL APPLICATION, WITH NON-AMERICAN STANDARD EVAPORATOR COIL	10 YR	PARTS & LABOR
AAYWAR0395 ^②	1-5	PACKAGE OR SPLIT SYSTEM	10 YR	PARTS & LABOR
"Comfort System"		INCLUDES ELECTRONIC AIR CLEANER		
AAYWAR4204	1-5	PACKAGE OR SPLIT SYSTEM, RESIDENTIAL APPLICATION, COMFORT SYSTEM WITH NON-AMERICAN STANDARD EVAPORATOR COIL	10 YR	PARTS & LABOR
AAYWAR0319	3-6	SYSTEM 2 - SPLIT SYSTEM	1 YR	PARTS & LABOR
AAYWAR0320	3-6	SYSTEM 2 - SPLIT SYSTEM	5 YR	PARTS & LABOR
AAYWAR0321	3-6	SYSTEM 2 - SPLIT SYSTEM	10 YR	PARTS & LABOR

^① Obsolete for Equipment with five (5) year Limited Warranty on all functional parts.

^② **Standard** Split System, and "M" Package Units are not eligible if installed or initial warranty sale date is after 10/01/2001.

Condensing unit determines type of system for Extended Warranty Coverage.

These Optional Extended Warranties apply to American Standard Heating & Air Conditioning condensing units only when installed in Residential Applications. A new American Standard Heating & Air Conditioning evaporator coil and thermostat are covered only if installed at the same time and identified on the warranty Agreement. Compressor only warranties cover only the compressor.

One (1) year warranties apply to equipment less than five (5) years old and can be renewed each year until the equipment is ten (10) years old when accepted by the Extended Warranty Department. Five (5) year and ten (10) year warranties expire five (5) or ten (10) years from the installation date of the covered equipment no matter when purchased.

Equipment installed within 1 mile of salt water or environment with high sulfur content should use the "S" warranty models. The Warranty would be the same as below with an "S" in the 7th digit instead of the "0" below. For example, use AAYWARS002 instead of AAYWAR0002.

WARRANTY #	TONS	DESCRIPTION	TERM	COVERAGE
AAYWAR0127	1-5	CONDENSING UNIT	1 YR	PARTS ONLY
AAYWAR0044	1-5	CONDENSING UNIT	1 YR	PARTS & LABOR
AAYWAR4206	1-5	CONDENSING UNIT AND THERMOSTAT, RESIDENTIAL APPLICATION, WITH NON-AMERICAN STANDARD EVAPORATOR COIL	1 YR	PARTS & LABOR
AAYWAR0083 ^①	1-5	CONDENSING UNIT	5 YR	PARTS ONLY
AAYWAR0001	1-5	CONDENSING UNIT	5 YR	PARTS & LABOR
AAYWAR4208	1-5	CONDENSING UNIT AND THERMOSTAT, RESIDENTIAL APPLICATION, WITH NON-AMERICAN STANDARD EVAPORATOR COIL	5 YR	PARTS & LABOR
AAYWAR0084 ^②	1-5	CONDENSING UNIT	10 YR	PARTS ONLY
AAYWAR0002 ^②	1-5	CONDENSING UNIT	10 YR	PARTS & LABOR
AAYWAR4210 ^②	1-5	CONDENSING UNIT AND THERMOSTAT, RESIDENTIAL APPLICATION, WITH NON-AMERICAN STANDARD EVAPORATOR COIL	10 YR	PARTS & LABOR

^① Obsolete for Equipment with five (5) year Limited Warranty on all functional parts.

^② **Standard** Units are not eligible if installed or initial warranty sale date is after 10/01/2001.

**Residential Applications
Compressor Only Warranties
1 — 5 Ton**

WARRANTY #	TONS	DESCRIPTION	TERM	COVERAGE
AAYWAR0049	1-5	COMPRESSOR ONLY	1 YR	PARTS ONLY
AAYWAR0050	1-5	COMPRESSOR ONLY	1 YR	LABOR ONLY
AAYWAR0051	1-5	COMPRESSOR ONLY	1 YR	PARTS & LABOR
AAYWAR0008	1-5	COMPRESSOR ONLY	5 YR	LABOR ONLY
AAYWAR0007 ^{①②}	1-5	COMPRESSOR ONLY	10 YR	PARTS ONLY
AAYWAR0009 ^②	1-5	COMPRESSOR ONLY	10 YR	LABOR ONLY
AAYWAR0010 ^{①②}	1-5	COMPRESSOR ONLY	10 YR	PARTS & LABOR

^① Obsolete for models with a ten (10) year Limited Warranty on the compressor.

^② **Standard** Units and "M" Package Units are not eligible if installed or initial warranty sale date is after 10/01/2001.

These Optional Extended Warranties apply to American Standard Heating & Air Conditioning furnaces, air handlers and heat exchangers when installed in Residential Applications. A new American Standard Heating & Air Conditioning evaporator coil and thermostat are covered only if installed at the same time or air handler and identified on the Agreement. Heat Exchanger warranties cover only the Heat Exchanger.

One (1) year warranties apply to equipment less than five (5) years old and can be renewed each year until the equipment is ten (10) years old when accepted by the Extended Warranty Department. Five (5) through twenty (20) year warranties expire five (5) through twenty (20) years from the installation date of the covered equipment no matter when purchased.

Equipment installed within 1 mile of salt water or environment with high sulfur content should use the "S" warranty models. The Warranty would be the same as below with an "S" in the 7th digit instead of the "0" below. For example, use AAYWARS011 instead of AAYWAR0011.

WARRANTY #	TONS	DESCRIPTION	TERM	COVERAGE
AAYWAR0232	1-5	FURNACE OR AIR HANDLER	1 YR	PARTS ONLY
AAYWAR0273	1-5	VARIABLE SPEED FURNACE OR AIR HANDLER	1 YR	PARTS ONLY
AAYWAR0047	1-5	FURNACE OR AIR HANDLER	1 YR	PARTS & LABOR
AAYWAR0274	1-5	VARIABLE SPEED FURNACE OR AIR HANDLER	1 YR	PARTS & LABOR
AAYWAR0091 ^①	1-5	FURNACE OR AIR HANDLER	5 YR	PARTS ONLY
AAYWAR0275 ^①	1-5	VARIABLE SPEED FURNACE OR AIR HANDLER	5 YR	PARTS ONLY
AAYWAR0011	1-5	FURNACE OR AIR HANDLER	5 YR	PARTS & LABOR
AAYWAR0276	1-5	VARIABLE SPEED FURNACE OR AIR HANDLER	5 YR	PARTS & LABOR
AAYWAR0403	1-5	VARIABLE SPEED FURNACE OR AIR HANDLER	5 YR	PARTS & LABOR
AAYWAR0402	1-5	FURNACE OR AIR HANDLER	5 YR	PARTS & LABOR
AAYWAR0092 ^②	1-5	FURNACE OR AIR HANDLER	10 YR	PARTS ONLY
AAYWAR0277 ^②	1-5	VARIABLE SPEED FURNACE OR AIR HANDLER	10 YR	PARTS ONLY
AAYWAR0012 ^②	1-5	FURNACE OR AIR HANDLER	10 YR	PARTS & LABOR
AAYWAR0278 ^②	1-5	VARIABLE SPEED FURNACE OR AIR HANDLER	10 YR	PARTS & LABOR
AAYWAR0405	1-5	VARIABLE SPEED FURNACE OR AIR HANDLER	10 YR	PARTS & LABOR
AAYWAR0404	1-5	FURNACE OR AIR HANDLER	10 YR	PARTS & LABOR
AAYWAR0137 ^②	1-5	FURNACE OR AIR HANDLER	15 YR	PARTS ONLY
AAYWAR0288 ^②	1-5	VARIABLE SPEED FURNACE OR AIR HANDLER	15 YR	PARTS ONLY
AAYWAR0013 ^②	1-5	NON-VARIABLE SPEED	15 YR	PARTS & LABOR
AAYWAR4086 ^②	1-5	FURNACE OR AIR HANDLER	11-15 YR	PARTS & LABOR
AAYWAR0289 ^②	1-5	VARIABLE SPEED FURNACE OR AIR HANDLER	15 YR	PARTS & LABOR
AAYWAR4087 ^②	1-5	VARIABLE SPEED FURNACE OR AIR HANDLER	11-15 YR	PARTS & LABOR

NOTE: Fifteen (15) year agreements are available on indoor equipment only when purchased within 9 months of installation.

^① Obsolete for Equipment with five (5) year Limited Warranty on all functional parts.

^② CUB/CDB/CUC/CDC furnaces and TVF, TWG air handlers are not eligible if installed or initial warranty sale date is after 10/01/2001.

WARRANTY #	TONS	DESCRIPTION	TERM	COVERAGE
AAYWAR0331	1-5	HEAT EXCHANGER	10 YR	LABOR ONLY
AAYWAR0138	1-5	HEAT EXCHANGER	10 YR	PARTS & LABOR
AAYWAR0034	1-5	HEAT EXCHANGER	15 YR	PARTS ONLY
AAYWAR0139	1-5	HEAT EXCHANGER	15 YR	PARTS & LABOR
AAYWAR0108	1-5	HEAT EXCHANGER	20 YR	PARTS ONLY

NOTE: Fifteen (15) year agreements are available on indoor equipment only when purchased within 9 months of installation.

^① Obsolete for Equipment with five (5) year Limited Warranty on all functional parts.

^② CUB/CDB/CUC/CDC furnaces and TVF, TWG air handlers are not eligible if installed or initial warranty sale date is after 10/01/2001.

These Optional Extended Warranties apply to complete systems when installed in Commercial Applications. Coverage includes American Standard Heating & Air Conditioning condensing unit, thermostat and air handler or furnace with evaporator coil if identified on the Agreement.

One (1) year warranties apply to equipment less than five (5) years old and can be renewed each year until the equipment is ten (10) years old when accepted by the Extended Warranty Department. Five (5) year and ten (10) year warranties expire five (5) or ten (10) years from the installation date of the covered equipment no matter when purchased.

Equipment installed within 1 mile of salt water or environment with high sulfur content should use the "S" warranty models. The Warranty would be the same as below with an "S" in the 7th digit instead of the "0" below. For example, use AAYWARS146 instead of AAYWAR0146.

WARRANTY #	TONS	DESCRIPTION	TERM	COVERAGE
AAYWAR0141	1-5	PACKAGE OR SPLIT SYSTEM	1 YR	PARTS ONLY
AAYWAR0142	1-5	PACKAGE OR SPLIT SYSTEM	1 YR	PARTS & LABOR
AAYWAR0143	1-5	PACKAGE OR SPLIT SYSTEM	5 YR	PARTS ONLY
AAYWAR0144	1-5	PACKAGE OR SPLIT SYSTEM	5 YR	PARTS & LABOR
AAYWAR0145 ^①	1-5	PACKAGE OR SPLIT SYSTEM	10 YR	PARTS ONLY
AAYWAR0146 ^①	1-5	PACKAGE OR SPLIT SYSTEM	10 YR	PARTS & LABOR
AAYWAR0325	3-6	SYSTEM 2 - SPLIT SYSTEM	1 YR	PARTS & LABOR
AAYWAR0326	3-6	SYSTEM 2 - SPLIT SYSTEM	5 YR	PARTS & LABOR
AAYWAR0327	3-6	SYSTEM 2 - SPLIT SYSTEM	10 YR	PARTS & LABOR
AAYWAR0159	6.25-7.50	PACKAGE UNIT	1 YR	PARTS ONLY
AAYWAR0052	6.25-7.50	PACKAGE UNIT	1 YR	PARTS & LABOR
AAYWAR0095	6.25-7.50	PACKAGE UNIT	5 YR	PARTS ONLY
AAYWAR0016	6.25-7.50	PACKAGE UNIT	5 YR	PARTS & LABOR
AAYWAR4003	6.25-7.50	PACKAGE UNIT	10 YR	PARTS & LABOR
AAYWAR4093	6.25-7.50	PACKAGE UNIT + ECONOMIZER	10 YR	PARTS & LABOR
AAYWAR0160	6.25-7.50	SPLIT SYSTEM	1 YR	PARTS ONLY
AAYWAR0058	6.25-7.50	SPLIT SYSTEM	1 YR	PARTS & LABOR
AAYWAR0101	6.25-7.50	SPLIT SYSTEM	5 YR	PARTS ONLY
AAYWAR0022	6.25-7.50	SPLIT SYSTEM	5 YR	PARTS & LABOR
AAYWAR4004	6.25-7.50	SPLIT SYSTEM	10 YR	PARTS & LABOR
AAYWAR4094	6.25-7.50	SPLIT SYSTEM + ECONOMIZER	10 YR	PARTS & LABOR
AAYWAR0161	8.50-10	PACKAGE UNIT	1 YR	PARTS ONLY
AAYWAR0053	8.50-10	PACKAGE UNIT	1 YR	PARTS & LABOR
AAYWAR0096	8.50-10	PACKAGE UNIT	5 YR	PARTS ONLY
AAYWAR0017	8.50-10	PACKAGE UNIT	5 YR	PARTS & LABOR
AAYWAR4057	8.50-10	PACKAGE UNIT	10 YR	PARTS & LABOR
AAYWAR4095	8.50-10	PACKAGE UNIT + ECONOMIZER	10 YR	PARTS & LABOR
AAYWAR0162	8.50-10	SPLIT SYSTEM	1 YR	PARTS ONLY
AAYWAR0059	8.50-10	SPLIT SYSTEM	1 YR	PARTS & LABOR
AAYWAR0102	8.50-10	SPLIT SYSTEM	5 YR	PARTS ONLY
AAYWAR0023	8.50-10	SPLIT SYSTEM	5 YR	PARTS & LABOR
AAYWAR4060	8.50-10	SPLIT SYSTEM	10 YR	PARTS & LABOR
AAYWAR4096	8.50-10	SPLIT SYSTEM + ECONOMIZER	10 YR	PARTS & LABOR

① **Standard** Split System, and "M" Package Units are not eligible if installed or initial warranty sale date is after 10/01/2001.

These Optional Extended Warranties apply to complete systems when installed in Commercial Applications. Coverage includes American Standard Heating & Air Conditioning condensing unit, thermostat and air handler or furnace with evaporator coil and identified on the Agreement.

One (1) year warranties apply to equipment less than five (5) years old and can be renewed each year until the equipment is ten (10) years old when accepted by the Extended Warranty Department. Five (5) year and ten (10) year warranties expire five (5) or ten (10) years from the installation date of the covered equipment no matter when purchased.

Equipment installed within 1 mile of salt water or environment with high sulfur content should use the "S" warranty models. The Warranty would be the same as below with an "S" in the 7th digit instead of the "0" below. For example, use AAYWARS163 instead of AAYWAR0163.

WARRANTY #	TONS	DESCRIPTION	TERM	COVERAGE
AAYWAR0163	12.50	PACKAGE UNIT	1 YR	PARTS ONLY
AAYWAR0054	12.50	PACKAGE UNIT	1 YR	PARTS & LABOR
AAYWAR0097	12.50	PACKAGE UNIT	5 YR	PARTS ONLY
AAYWAR0018	12.50	PACKAGE UNIT	5 YR	PARTS & LABOR
AAYWAR4058	12.50	PACKAGE UNIT	10 YR	PARTS & LABOR
AAYWAR4148	12.50	PACKAGE UNIT + ECONOMIZER	10 YR	PARTS & LABOR
AAYWAR0164	12.50	SPLIT SYSTEM	1 YR	PARTS ONLY
AAYWAR0060	12.50	SPLIT SYSTEM	1 YR	PARTS & LABOR
AAYWAR0103	12.50	SPLIT SYSTEM	5 YR	PARTS ONLY
AAYWAR0024	12.50	SPLIT SYSTEM	5 YR	PARTS & LABOR
AAYWAR4098	12.50	SPLIT SYSTEM	10 YR	PARTS & LABOR
AAYWAR0165	15 - 17.50	PACKAGE UNIT	1 YR	PARTS ONLY
AAYWAR0055	15 - 17.50	PACKAGE UNIT	1 YR	PARTS & LABOR
AAYWAR0098	15 - 17.50	PACKAGE UNIT	5 YR	PARTS ONLY
AAYWAR0019	15 - 17.50	PACKAGE UNIT	5 YR	PARTS & LABOR
AAYWAR4059	15 - 17.50	PACKAGE UNIT	10 YR	PARTS & LABOR
AAYWAR4124	15 - 17.50	PACKAGE UNIT + ECONOMIZER	10 YR	PARTS & LABOR
AAYWAR0166	15 - 17.50	SPLIT SYSTEM	1 YR	PARTS ONLY
AAYWAR0061	15 - 17.50	SPLIT SYSTEM	1 YR	PARTS & LABOR
AAYWAR0104	15 - 17.50	SPLIT SYSTEM	5 YR	PARTS ONLY
AAYWAR0025	15 - 17.50	SPLIT SYSTEM	5 YR	PARTS & LABOR
AAYWAR4099	15 - 17.50	SPLIT SYSTEM	10 YR	PARTS & LABOR
AAYWAR0167	20	PACKAGE UNIT	1 YR	PARTS ONLY
AAYWAR0056	20	PACKAGE UNIT	1 YR	PARTS & LABOR
AAYWAR0099	20	PACKAGE UNIT	5 YR	PARTS ONLY
AAYWAR0020	20	PACKAGE UNIT	5 YR	PARTS & LABOR
AAYWAR4082	20	PACKAGE UNIT	10 YR	PARTS & LABOR
AAYWAR0168	20	SPLIT SYSTEM	1 YR	PARTS ONLY
AAYWAR0062	20	SPLIT SYSTEM	1 YR	PARTS & LABOR
AAYWAR0105	20	SPLIT SYSTEM	5 YR	PARTS ONLY
AAYWAR0026	20	SPLIT SYSTEM	5 YR	PARTS & LABOR
AAYWAR4100	20	SPLIT SYSTEM	10 YR	PARTS & LABOR
AAYWAR0169	25	PACKAGE UNIT	1 YR	PARTS ONLY
AAYWAR0057	25	PACKAGE UNIT	1 YR	PARTS & LABOR
AAYWAR0100	25	PACKAGE UNIT	5 YR	PARTS ONLY
AAYWAR0021	25	PACKAGE UNIT	5 YR	PARTS & LABOR
AAYWAR4083	25	PACKAGE UNIT	10 YR	PARTS & LABOR

These Optional Extended Warranties apply to condensing units only when installed in Commercial Applications. Coverage includes a new American Standard Heating & Air Conditioning evaporator coil and thermostat only if installed at the same time and identified on the Agreement.

One (1) year warranties apply to equipment less than five (5) years old and can be renewed each year until the equipment is ten (10) years old when accepted by the Extended Warranty Department. Five (5) year and ten (10) year warranties expire five (5) or ten (10) years from the installation date of the covered equipment no matter when purchased.

Equipment installed within 1 mile of salt water or environment with high sulfur content should use the "S" warranty models. The Warranty would be the same as below with an "S" in the 7th digit instead of the "0" below. For example, use AAYWARS170 instead of AAYWAR0170.

WARRANTY #	TONS	DESCRIPTION	TERM	COVERAGE
AAYWAR0170	1-5	CONDENSING UNIT	1 YR	PARTS ONLY
AAYWAR0171	1-5	CONDENSING UNIT	1 YR	PARTS & LABOR
AAYWAR0172	1-5	CONDENSING UNIT	5 YR	PARTS ONLY
AAYWAR0173	1-5	CONDENSING UNIT	5 YR	PARTS & LABOR
AAYWAR0174 ^①	1-5	CONDENSING UNIT	10 YR	PARTS ONLY
AAYWAR0175 ^①	1-5	CONDENSING UNIT	10 YR	PARTS & LABOR
AAYWAR0188	6.25 - 7.50	CONDENSING UNIT	1 YR	PARTS ONLY
AAYWAR0189	6.25 - 7.50	CONDENSING UNIT	1 YR	PARTS & LABOR
AAYWAR0190	6.25 - 7.50	CONDENSING UNIT	5 YR	PARTS ONLY
AAYWAR0191	6.25 - 7.50	CONDENSING UNIT	5 YR	PARTS & LABOR
AAYWAR4072	6.25 - 7.50	CONDENSING UNIT	10 YR	PARTS & LABOR
AAYWAR0192	8.50 - 10	CONDENSING UNIT	1 YR	PARTS ONLY
AAYWAR0193	8.50 - 10	CONDENSING UNIT	1 YR	PARTS & LABOR
AAYWAR0194	8.50 - 10	CONDENSING UNIT	5 YR	PARTS ONLY
AAYWAR0195	8.50 - 10	CONDENSING UNIT	5 YR	PARTS & LABOR
AAYWAR4107	8.50 - 10	CONDENSING UNIT	10 YR	PARTS & LABOR
AAYWAR0196	12.50	CONDENSING UNIT	1 YR	PARTS ONLY
AAYWAR0197	12.50	CONDENSING UNIT	1 YR	PARTS & LABOR
AAYWAR0198	12.50	CONDENSING UNIT	5 YR	PARTS ONLY
AAYWAR0199	12.50	CONDENSING UNIT	5 YR	PARTS & LABOR
AAYWAR4108	12.50	CONDENSING UNIT	10 YR	PARTS & LABOR
AAYWAR0200	15 - 17.50	CONDENSING UNIT	1 YR	PARTS ONLY
AAYWAR0201	15 - 17.50	CONDENSING UNIT	1 YR	PARTS & LABOR
AAYWAR0202	15 - 17.50	CONDENSING UNIT	5 YR	PARTS ONLY
AAYWAR0203	15 - 17.50	CONDENSING UNIT	5 YR	PARTS & LABOR
AAYWAR4109	15 - 17.50	CONDENSING UNIT	10 YR	PARTS & LABOR
AAYWAR0204	20	CONDENSING UNIT	1 YR	PARTS ONLY
AAYWAR0205	20	CONDENSING UNIT	1 YR	PARTS & LABOR
AAYWAR0207	20	CONDENSING UNIT	5 YR	PARTS ONLY
AAYWAR0257	20	CONDENSING UNIT	5 YR	PARTS & LABOR
AAYWAR4110	20	CONDENSING UNIT	10 YR	PARTS & LABOR

^① **Standard** Units are not eligible if installed or initial warranty sale date is after 10/01/2001.

These Optional Extended Warranties apply to compressors in American Standard Heating & Air Conditioning equipment when installed in Commercial Applications.

One (1) year warranties apply to equipment less than five (5) years old and can be renewed each year until the equipment is ten (10) years old when accepted by the Extended Warranty Department. Five (5) year and ten (10) year warranties expire five (5) or ten (10) years from the installation date of the covered equipment no matter when purchased.

Equipment installed within 1 mile of salt water or environment with high sulfur content should use the "S" warranty models. The Warranty would be the same as below with an "S" in the 7th digit instead of the "0" below. For example, use AAYWARS208 instead of AAYWAR0208.

WARRANTY #	TONS	DESCRIPTION	TERM	COVERAGE
AAYWAR0208	1-5	COMPRESSOR ONLY	1 YR	PARTS ONLY
AAYWAR0209	1-5	COMPRESSOR ONLY	1 YR	LABOR ONLY
AAYWAR0210	1-5	COMPRESSOR ONLY	1 YR	PARTS & LABOR
AAYWAR0256	1-5	COMPRESSOR ONLY	5 YR	LABOR ONLY
AAYWAR0211 ^{①②}	1-5	COMPRESSOR ONLY	10 YR	PARTS ONLY
AAYWAR0212 ^{①②}	1-5	COMPRESSOR ONLY	10 YR	LABOR ONLY
AAYWAR0213 ^{①②}	1-5	COMPRESSOR ONLY	10 YR	PARTS & LABOR
AAYWAR0214	6.25 - 7.50	COMPRESSOR ONLY	1 YR	PARTS ONLY
AAYWAR0215	6.25 - 7.50	COMPRESSOR ONLY	1 YR	PARTS & LABOR
AAYWAR0216	6.25 - 7.50	COMPRESSOR ONLY	5 YR	LABOR ONLY
AAYWAR4071	6.25 - 7.50	COMPRESSOR ONLY	10 YR	PARTS ONLY
AAYWAR0217	8.50 - 10	COMPRESSOR ONLY	1 YR	PARTS ONLY
AAYWAR0218	8.50 - 10	COMPRESSOR ONLY	1 YR	PARTS & LABOR
AAYWAR0219	8.50 - 10	COMPRESSOR ONLY	5 YR	LABOR ONLY
AAYWAR4039	8.50 - 10	COMPRESSOR ONLY	10 YR	PARTS ONLY
AAYWAR0220	12.50	COMPRESSOR ONLY	1 YR	PARTS ONLY
AAYWAR0221	12.50	COMPRESSOR ONLY	1 YR	PARTS & LABOR
AAYWAR0222	12.50	COMPRESSOR ONLY	5 YR	LABOR ONLY
AAYWAR4040	12.50	COMPRESSOR ONLY	10 YR	PARTS ONLY
AAYWAR0223	15 - 17.50	COMPRESSOR ONLY	1 YR	PARTS ONLY
AAYWAR0224	15 - 17.50	COMPRESSOR ONLY	1 YR	PARTS & LABOR
AAYWAR0225	15 - 17.50	COMPRESSOR ONLY	5 YR	LABOR ONLY
AAYWAR4041	15 - 25	COMPRESSOR ONLY	10 YR	PARTS ONLY
AAYWAR0226	20	COMPRESSOR ONLY	1 YR	PARTS ONLY
AAYWAR0227	20	COMPRESSOR ONLY	1 YR	PARTS & LABOR
AAYWAR0030	20	COMPRESSOR ONLY	5 YR	PARTS ONLY
AAYWAR0228	20	COMPRESSOR ONLY	5 YR	LABOR ONLY
AAYWAR0229	25	COMPRESSOR ONLY	1 YR	PARTS ONLY
AAYWAR0230	25	COMPRESSOR ONLY	1 YR	PARTS & LABOR
AAYWAR0031	25	COMPRESSOR ONLY	5 YR	PARTS ONLY
AAYWAR0231	25	COMPRESSOR ONLY	5 YR	LABOR ONLY

^① Obsolete for Equipment with five (5) year Limited Warranty on all functional parts.

^② **Standard** Units and "M" Package Units are not eligible if installed or initial warranty sale date is after 10/01/2001.

These Optional Extended Warranties apply to American Standard Heating & Air Conditioning furnaces, air handlers and heat exchangers when installed in Commercial Applications. A new American Standard Heating & Air Conditioning evaporator coil and thermostat are covered only if installed at the same time and identified on the Agreement. Heat Exchanger warranties cover only the Heat Exchanger.

One (1) year warranties apply to equipment less than five (5) years old and can be renewed each year until the equipment is ten (10) years old when accepted by the Extended Warranty Department. Five (5) through twenty (20) year warranties expire five (5) through twenty (20) years from the installation of the covered equipment no matter when purchased.

Equipment installed within 1 mile of salt water or environment with high sulfur content should use the "S" warranty models. The Warranty would be the same as below with an "S" in the 7th digit instead of the "0" below. For example, use AAYWARS233 instead of AAYWAR0233.

WARRANTY #	TONS	DESCRIPTION	TERM	COVERAGE
AAYWAR0233	1-5	FURNACE OR AIR HANDLER	1 YR	PARTS ONLY
AAYWAR0279	1-5	VARIABLE SPEED FURNACE OR AIR HANDLER	1 YR	PARTS ONLY
AAYWAR0234	1-5	FURNACE OR AIR HANDLER	1 YR	PARTS & LABOR
AAYWAR0280	1-5	VARIABLE SPEED FURNACE OR AIR HANDLER	1 YR	PARTS & LABOR
AAYWAR0235 ^①	1-5	FURNACE OR AIR HANDLER	5 YR	PARTS ONLY
AAYWAR0281 ^①	1-5	VARIABLE SPEED FURNACE OR AIR HANDLER	5 YR	PARTS ONLY
AAYWAR0236	1-5	FURNACE OR AIR HANDLER	5 YR	PARTS & LABOR
AAYWAR0282	1-5	VARIABLE SPEED FURNACE OR AIR HANDLER	5 YR	PARTS & LABOR
AAYWAR0237 ^②	1-5	FURNACE OR AIR HANDLER	10 YR	PARTS ONLY
AAYWAR0283 ^②	1-5	VARIABLE SPEED FURNACE OR AIR HANDLER	10 YR	PARTS ONLY
AAYWAR0238 ^②	1-5	FURNACE OR AIR HANDLER	10 YR	PARTS & LABOR
AAYWAR0284 ^②	1-5	VARIABLE SPEED FURNACE OR AIR HANDLER	10 YR	PARTS & LABOR
AAYWAR0239 ^②	1-5	FURNACE OR AIR HANDLER	15 YR	PARTS ONLY
AAYWAR0290 ^②	1-5	VARIABLE SPEED FURNACE OR AIR HANDLER	15 YR	PARTS ONLY
AAYWAR0240 ^②	1-5	FURNACE OR AIR HANDLER	15 YR	PARTS & LABOR
AAYWAR0291 ^②	1-5	VARIABLE SPEED FURNACE OR AIR HANDLER	15 YR	PARTS & LABOR
AAYWAR0241	1-5	HEAT EXCHANGER	10 YR	PARTS ONLY
AAYWAR0334	1-5	HEAT EXCHANGER	10 YR	LABOR ONLY
AAYWAR0242	1-5	HEAT EXCHANGER	10 YR	PARTS & LABOR
AAYWAR0243	1-5	HEAT EXCHANGER	15 YR	PARTS ONLY
AAYWAR0244	1-5	HEAT EXCHANGER	15 YR	PARTS & LABOR
AAYWAR0245	1-5	HEAT EXCHANGER	20 YR	PARTS ONLY
AAYWAR0035	6.25 - 12.50	HEAT EXCHANGER	10 YR	PARTS ONLY
AAYWAR0247	6.25 - 12.50	HEAT EXCHANGER	10 YR	PARTS & LABOR
AAYWAR0036	6.25 - 12.50	HEAT EXCHANGER	15 YR	PARTS ONLY
AAYWAR0248	6.25 - 12.50	HEAT EXCHANGER	15 YR	PARTS & LABOR

NOTE: Fifteen (15) year agreements are available on indoor equipment only when purchased within 9 months of installation.

① Obsolete for Equipment with five (5) year Limited Warranty on all functional parts.

② CUB/CDB/CUC/CDC furnaces and TVF, TWG air handlers are not eligible if installed or initial warranty sale date is after 10/01/2001.

These Optional Extended Warranties apply to furnaces, air handlers and heat exchangers when installed in Commercial Applications. A new American Standard Heating & Air Conditioning evaporator coil and thermostat are covered only if installed at the same time and identified on the Agreement. Heat Exchanger warranties cover only the Heat Exchanger.

One (1) year warranties apply to equipment less than five (5) years old and can be renewed each year until the equipment is ten (10) years old when accepted by the Extended Warranty Department. Five (5) through twenty (20) year warranties expire five (5) through twenty (20) years from the installation date of the covered equipment no matter when purchased.

Equipment installed within 1 mile of salt water or environment with high sulfur content should use the "S" warranty models. The Warranty would be the same as below with an "S" in the 7th digit instead of the "0" below. For example, use AAYWARS269 instead of AAYWAR0269.

WARRANTY #	TONS	DESCRIPTION	TERM	COVERAGE
AAYWAR0269	6.25 - 20	AIR HANDLER	1 YR	PARTS ONLY
AAYWAR0270	6.25 - 20	AIR HANDLER	1 YR	PARTS & LABOR
AAYWAR0271	6.25 - 20	AIR HANDLER	5 YR	PARTS ONLY
AAYWAR0272	6.25 - 20	AIR HANDLER	5 YR	PARTS & LABOR
AAYWAR0037	15 - 17.50	HEAT EXCHANGER	10 YR	PARTS ONLY
AAYWAR0249	15 - 17.50	HEAT EXCHANGER	10 YR	PARTS & LABOR
AAYWAR0038	15 - 17.50	HEAT EXCHANGER	15 YR	PARTS ONLY
AAYWAR0250	15 - 17.50	HEAT EXCHANGER	15 YR	PARTS & LABOR
AAYWAR0039	20	HEAT EXCHANGER	5 YR	PARTS ONLY
AAYWAR0251	20	HEAT EXCHANGER	5 YR	PARTS & LABOR
AAYWAR0040	20	HEAT EXCHANGER	10 YR	PARTS ONLY
AAYWAR0252	20	HEAT EXCHANGER	10 YR	PARTS & LABOR
AAYWAR0041	25	HEAT EXCHANGER	5 YR	PARTS ONLY
AAYWAR0253	25	HEAT EXCHANGER	5 YR	PARTS & LABOR
AAYWAR0042	25	HEAT EXCHANGER	10 YR	PARTS ONLY
AAYWAR0254	25	HEAT EXCHANGER	10 YR	PARTS & LABOR

NOTE: Fifteen (15) year agreements are available on indoor equipment only when purchased within 9 months of installation.

These Optional Extended Warranties apply to accessories that are installed in Residential or Commercial Applications.

One (1) year warranties apply to equipment less than five (5) years old and can be renewed each year until the equipment is ten (10) years old when accepted by the Extended Warranty Department. Five (5) through (15) year warranties expire five (5) through fifteen (15) years from the installation date of the covered equipment no matter when purchased.

Equipment installed within 1 mile of salt water or environment with high sulfur content should use the "S" warranty models. The Warranty would be the same as below with an "S" in the 7th digit instead of the "0" below. For example, use AAYWARS048 instead of AAYWAR0048.

WARRANTY #	TONS	DESCRIPTION	TERM	COVERAGE
AAYWAR0048	ALL	PERFECT FIT ELECTRONIC AIR CLEANER	1 YR	PARTS & LABOR
AAYWAR0093 ^①	ALL	PERFECT FIT ELECTRONIC AIR CLEANER	5 YR	PARTS ONLY
AAYWAR0014	ALL	PERFECT FIT ELECTRONIC AIR CLEANER	5 YR	PARTS & LABOR
AAYWAR0094	ALL	PERFECT FIT ELECTRONIC AIR CLEANER	10 YR	PARTS ONLY
AAYWAR0015	ALL	PERFECT FIT ELECTRONIC AIR CLEANER	10 YR	PARTS & LABOR
AAYWAR0076 ^③	1-5	PROGRAMMABLE THERMOSTAT	1 YR	PARTS & LABOR
AAYWAR0077 ^③	1-5	PROGRAMMABLE THERMOSTAT	5 YR	PARTS & LABOR
AAYWAR0078 ^③	1-5	PROGRAMMABLE THERMOSTAT	10 YR	PARTS & LABOR
AAYWAR0293 ^③	1-25	NON-PROGRAMMABLE THERMOSTAT	1 YR	PARTS & LABOR
AAYWAR0294 ^③	1-25	NON-PROGRAMMABLE THERMOSTAT	5 YR	PARTS & LABOR
AAYWAR0295 ^③	1-5	NON-PROGRAMMABLE THERMOSTAT	10 YR	PARTS & LABOR
AAYWAR0296 ^③	1-5	NON-PROGRAMMABLE THERMOSTAT	15 YR	PARTS & LABOR
AAYWAR0285 ^③	6-25	PROGRAMMABLE THERMOSTAT	1 YR	PARTS & LABOR
AAYWAR0109 ^③	6-25	PROGRAMMABLE THERMOSTAT	5 YR	PARTS & LABOR
AAYWAR0080	1-5	HOT WATER BANK (ECU ONLY)	1 YR	PARTS & LABOR
AAYWAR0079	1-5	HOT WATER BANK (ECU ONLY)	5 YR	PARTS & LABOR
AAYWAR0043	3-25	UNITARY CONTROL PROCESSOR	5 YR	PARTS ONLY
AAYWAR0286 ^④	5-25	ECONOMIZER	1 YR	PARTS & LABOR
AAYWAR0107 ^④	5-25	ECONOMIZER	5 YR	PARTS ONLY
AAYWAR0032 ^④	5-25	ECONOMIZER	5 YR	PARTS & LABOR
AAYWAR4061 ^④	5-25	ECONOMIZER	10 YR	PARTS & LABOR
AAYWAR0260 ^③	1-5	EVAPORATOR COIL	1 YR	PARTS ONLY
AAYWAR0261 ^③	1-5	EVAPORATOR COIL	1 YR	PARTS & LABOR
AAYWAR0262 ^①	1-5	EVAPORATOR COIL	5 YR	PARTS ONLY
AAYWAR0263 ^③	1-5	EVAPORATOR COIL	5 YR	PARTS & LABOR
AAYWAR0264 ^{②③}	1-5	EVAPORATOR COIL	10 YR	PARTS ONLY
AAYWAR0265 ^{②③}	1-5	EVAPORATOR COIL	10 YR	PARTS & LABOR

^① Obsolete for American Standard accessories installed or warranty sale date is after 10/01/2001.

^② Not available on CCB/CUB coils installed or initial warranty sale date is after 10/01/2001.

^③ Can be used to cover 3rd party equipment if installed with American Standard equipment.

^④ In addition to the system extended warranty coverage, all factory installed economizers in 5 - 25 ton equipment must have separate extended warranty coverage.

These Optional Extended Warranties provides labor coverage from installation/startup on covered repairs. Warranties must be purchased at the time of the equipment installation. A National Account is defined as a major purchaser of American Standard Heating & Air Conditioning equipment whose distribution activities extend into the primary sales area of more than one center or distributor. Although primarily intended for National Accounts, these Extended Warranties may be purchased by any dealer desiring the coverage provided by them.

Note: AAYWAR0363 - 0374 Coverage includes thermostat and economizer

Equipment installed within 1 mile of salt water or environment with high sulfur content should use the "S" warranty models. The Warranty would be the same as below with an "S" in the 7th digit instead of the "0" below. For example, use AAYWARS064 instead of AAYWAR0064.

WARRANTY #	TONS	DESCRIPTION	TERM	COVERAGE
AAYWAR0064	1-5	CONDENSING UNIT	1 YR	LABOR ONLY
AAYWAR0065	1-5	PACKAGE OR SPLIT SYSTEM	1 YR	LABOR ONLY
AAYWAR0066	1-5	AIR HANDLER	1 YR	LABOR ONLY
AAYWAR0067	1-5	GAS/ELECTRIC UNIT	1 YR	LABOR ONLY
AAYWAR0068	1-5	FURNACE	1 YR	LABOR ONLY
AAYWAR0363	1-5	PACKAGE OR SPLIT SYSTEM	5 YR	PARTS & LABOR
AAYWAR0069	ALL	ELECTRONIC AIR CLEANER	1 YR	LABOR ONLY
AAYWAR0364	6.25 - 7.50	PACKAGE UNIT	5 YR	PARTS & LABOR
AAYWAR0365	6.25 - 7.50	SPLIT SYSTEM	5 YR	PARTS & LABOR
AAYWAR0070	6.25 - 7.50	PACKAGE OR SPLIT SYSTEM	1 YR	LABOR ONLY
AAYWAR0366	8.50 - 10	PACKAGE UNIT	5 YR	PARTS & LABOR
AAYWAR0367	8.50 - 10	SPLIT SYSTEM	5 YR	PARTS & LABOR
AAYWAR0071	8.50 - 10	PACKAGE OR SPLIT SYSTEM	1 YR	LABOR ONLY
AAYWAR0072	12.50	PACKAGE OR SPLIT SYSTEM	1 YR	LABOR ONLY
AAYWAR0368	12.50	PACKAGE UNIT	5 YR	PARTS & LABOR
AAYWAR0369	12.50	SPLIT SYSTEM	5 YR	PARTS & LABOR
AAYWAR0073	15 - 17.50	PACKAGE OR SPLIT SYSTEM	1 YR	LABOR ONLY
AAYWAR0370	15 - 17.50	PACKAGE UNIT	5 YR	PARTS & LABOR
AAYWAR0371	15 - 17.50	SPLIT SYSTEM	5 YR	PARTS & LABOR
AAYWAR0074	20	PACKAGE OR SPLIT SYSTEM	1 YR	LABOR ONLY
AAYWAR0372	20	PACKAGE UNIT	5 YR	PARTS & LABOR
AAYWAR0373	20	SPLIT SYSTEM	5 YR	PARTS & LABOR
AAYWAR0075	25	PACKAGE OR SPLIT SYSTEM	1 YR	LABOR ONLY
AAYWAR0374	25	PACKAGE UNIT	5 YR	PARTS & LABOR

**Residential Applications
Water Source Compressor Only,
Package or Split System Warranties
1 — 6 Ton**

These Optional Extended Warranties apply to Command-Aire complete Water Source package or split systems installed in Residential Applications. Coverage includes internal components within the system and thermostat. Excludes the ground water loop.

Some warranties apply to compressors only used in Water Source systems installed in Residential Applications.

One (1) year warranties apply to equipment less than five (5) years old and can be renewed each year until the equipment is ten (10) years old when accepted by the Extended Warranty Department. Five (5) year and ten (10) year warranties expire five (5) or ten (10) years from the installation date of the covered equipment no matter when purchased.

Equipment installed within 1 mile of salt water or environment with high sulfur content should use the "S" warranty models. The Warranty would be the same as below with an "S" in the 7th digit instead of the "0" below. For example, use AAYWARS111 instead of AAYWAR0111.

WARRANTY #	TONS	DESCRIPTION	TERM	COVERAGE
AAYWAR0111	1-5	COMPRESSOR ONLY	1 YR	PARTS ONLY
AAYWAR0112	1-5	COMPRESSOR ONLY	1 YR	PARTS AND LABOR
AAYWAR0113	1-5	COMPRESSOR ONLY	10 YR	PARTS ONLY
AAYWAR0114	1-5	COMPRESSOR ONLY	10 YR	PARTS AND LABOR
AAYWAR0115	1-5	PACKAGE OR SPLIT SYSTEM	1 YR	PARTS ONLY
AAYWAR0116	1-5	PACKAGE OR SPLIT SYSTEM	1 YR	PARTS AND LABOR
AAYWAR0117	1-5	PACKAGE OR SPLIT SYSTEM	5 YR	PARTS ONLY
AAYWAR0118	1-5	PACKAGE OR SPLIT SYSTEM	5 YR	PARTS AND LABOR
AAYWAR0119	1-5	PACKAGE OR SPLIT SYSTEM	10 YR	PARTS ONLY
AAYWAR0255	1-5	PACKAGE OR SPLIT SYSTEM	10 YR	PARTS AND LABOR
AAYWAR0309	6	COMPRESSOR ONLY	1 YR	PARTS ONLY
AAYWAR0310	6	COMPRESSOR ONLY	1 YR	PARTS AND LABOR
AAYWAR0311	6	COMPRESSOR ONLY	10 YR	PARTS ONLY
AAYWAR0312	6	COMPRESSOR ONLY	10 YR	PARTS AND LABOR
AAYWAR0313	6	PACKAGE OR SPLIT SYSTEM	1 YR	PARTS ONLY
AAYWAR0314	6	PACKAGE OR SPLIT SYSTEM	1 YR	PARTS AND LABOR
AAYWAR0315	6	PACKAGE OR SPLIT SYSTEM	5 YR	PARTS ONLY
AAYWAR0316	6	PACKAGE OR SPLIT SYSTEM	5 YR	PARTS AND LABOR
AAYWAR0317	6	PACKAGE OR SPLIT SYSTEM	10 YR	PARTS ONLY
AAYWAR0318	6	PACKAGE OR SPLIT SYSTEM	10 YR	PARTS AND LABOR

**Commercial Applications
Water Source Compressor Only,
Package or Split System Warranties
1 — 6 Ton**

These Optional Extended Warranties apply to Command-Aire complete Water Source package or split systems installed in Commercial Applications. Coverage includes internal components within the system and thermostat. Excludes ground water loop. Some warranties apply to compressors only used in Water Source systems installed in Commercial Applications.

One (1) year warranties apply to equipment less than five (5) years old and can be renewed each year until the equipment is ten (10) years old when accepted by the Extended Warranty Department. Five (5) year and ten (10) year warranties expire 5 (five) or 10 (ten) years from the installation date of the covered equipment no matter when purchased.

Equipment installed within 1 mile of salt water or environment with high sulfur content should use the "S" warranty models. The Warranty would be the same as below with an "S" in the 7th digit instead of the "0" below. For example, use AAYWARS375 instead of AAYWAR0375.

WARRANTY #	TONS	DESCRIPTION	TERM	COVERAGE
AAYWAR0375	1-5	COMPRESSOR ONLY	1 YR	PARTS ONLY
AAYWAR0376	1-5	COMPRESSOR ONLY	1 YR	PARTS & LABOR
AAYWAR0377	1-5	COMPRESSOR ONLY	10 YR	PARTS ONLY
AAYWAR0378	1-5	COMPRESSOR ONLY	10 YR	PARTS & LABOR
AAYWAR0379	1-5	PACKAGE OR SPLIT SYSTEM	1 YR	PARTS ONLY
AAYWAR0380	1-5	PACKAGE OR SPLIT SYSTEM	1 YR	PARTS & LABOR
AAYWAR0381	1-5	PACKAGE OR SPLIT SYSTEM	5 YR	PARTS ONLY
AAYWAR0382	1-5	PACKAGE OR SPLIT SYSTEM	5 YR	PARTS & LABOR
AAYWAR0383	1-5	PACKAGE OR SPLIT SYSTEM	10 YR	PARTS ONLY
AAYWAR0384	1-5	PACKAGE OR SPLIT SYSTEM	10 YR	PARTS & LABOR
AAYWAR0385	6	COMPRESSOR ONLY	1 YR	PARTS ONLY
AAYWAR0386	6	COMPRESSOR ONLY	1 YR	PARTS & LABOR
AAYWAR0387	6	COMPRESSOR ONLY	10 YR	PARTS ONLY
AAYWAR0388	6	COMPRESSOR ONLY	10 YR	PARTS & LABOR
AAYWAR0389	6	PACKAGE OR SPLIT SYSTEM	1 YR	PARTS ONLY
AAYWAR0390	6	PACKAGE OR SPLIT SYSTEM	1 YR	PARTS AND LABOR
AAYWAR0391	6	PACKAGE OR SPLIT SYSTEM	5 YR	PARTS ONLY
AAYWAR0392	6	PACKAGE OR SPLIT SYSTEM	5 YR	PARTS AND LABOR
AAYWAR0393	6	PACKAGE OR SPLIT SYSTEM	10 YR	PARTS ONLY
AAYWAR0394	6	PACKAGE OR SPLIT SYSTEM	10 YR	PARTS AND LABOR

These Optional Extended Warranties apply to the equipment noted in the description that are installed in Residential or Commercial Applications.

These warranties do not allow for any mark-ups on part. Servicer is reimbursed for the cost of the part based on the parts invoice. No-markup is paid on any part, whether in or out of warranty.

Five (5) through twelve (12) year warranties expire five (5) through twelve (12) years from the installation date of the covered equipment no matter when purchased.

WARRANTY #	TONS	DESCRIPTION	TERM	COVERAGE
AAYWAR4046 ^②	1-5	CONDENSING UNITS ONLY	5 YR	PARTS ONLY
AAYWAR4075 ^②	1-5	PACKAGE OR SPLIT SYSTEM	10 YR	PARTS ONLY
AAYWAR4077 ^②	1-5	FURNACE OR AIR HANDLER	10 YR	PARTS ONLY
AAYWAR4078 ^②	1-5	FURNACE OR AIR HANDLER, VARIABLE SPEED	10 YR	PARTS ONLY
AAYWAR4079 ^②	1-5	CONDENSING UNIT ONLY	10 YR	PARTS ONLY
AAYWAR4051 ^②	1-5	COMPRESSOR ONLY	10 YR	PARTS ONLY
AAYWAR4118 ^②	1-5	EPOXY COATED, ID OR OD COIL	5 YR	PARTS ONLY
AAYWAR4119 ^③	6.25 - 12.50	EPOXY COATED, ID OR OD COIL	5 YR	PARTS ONLY
AAYWAR4120 ^③	15 - 25	EPOXY COATED, ID OR OD COIL	5 YR	PARTS ONLY
AAYWAR4117 ^③	15 - 20	COMPRESSOR ONLY	5 YR	PARTS ONLY
AAYWAR4121 ^③	25	COMPRESSOR ONLY	5 YR	PARTS ONLY
AAYWAR4123 ^②	1-5	COMPRESSOR ONLY	12 YR	PARTS ONLY
AAYWAR4143 ^②	1-5	FURNACE OR AIR HANDLER	12 YR	PARTS ONLY
AAYWAR4144 ^②	1-5	FURNACE OR AIR HANDLER, VARIABLE SPEED	12 YR	PARTS ONLY
AAYWAR4145 ^②	1-5	CONDENSING UNIT ONLY	12 YR	PARTS ONLY
AAYWAR4146 ^②	1-5	PACKAGE OR SPLIT SYSTEM	12 YR	PARTS ONLY
AAYWAR4150 ^{①②}	1-5	CONDENSING UNIT – WITH 5 YR LIM COMP WARRANTY - NO PARTS MARK UP	5 YR	PARTS & LABOR
AAYWAR4151 ^{①②}	1-5	CONDENSING UNIT – WITH 5 YR LIM COMP WARRANTY - NO PARTS MARK UP	10 YR	PARTS & LABOR
AAYWAR4152 ^②	1-5	PACKAGE OR SPLIT SYSTEM – WITH 5 YR LIM COMP WARRANTY NON-VARIABLE SPEED AIR HANDLER OR FURNACE - NO PARTS MARK UP	5 YR	PARTS & LABOR
AAYWAR4153 ^{①②}	1-5	PACKAGE OR SPLIT SYSTEM – WITH 5 YR LIM COMP WARRANTY NON-VARIABLE SPEED AIR HANDLER OR FURNACE - NO PARTS MARK UP	10 YR	PARTS & LABOR

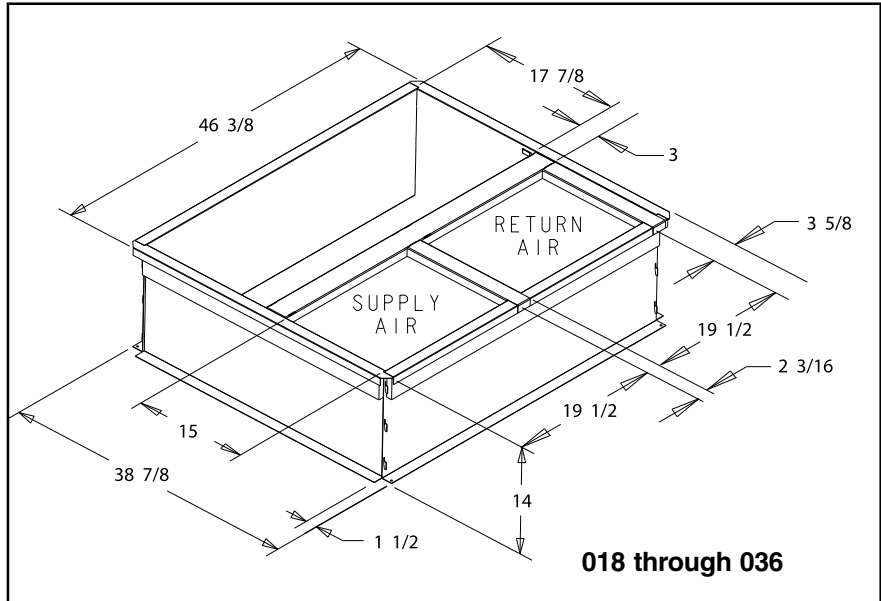
① **Standard** Split System, and “M” Package Units are not eligible if installed or initial warranty sale date is after 10/01/2001.

② (Residential or Commercial Application).

③ (Commercial Application).

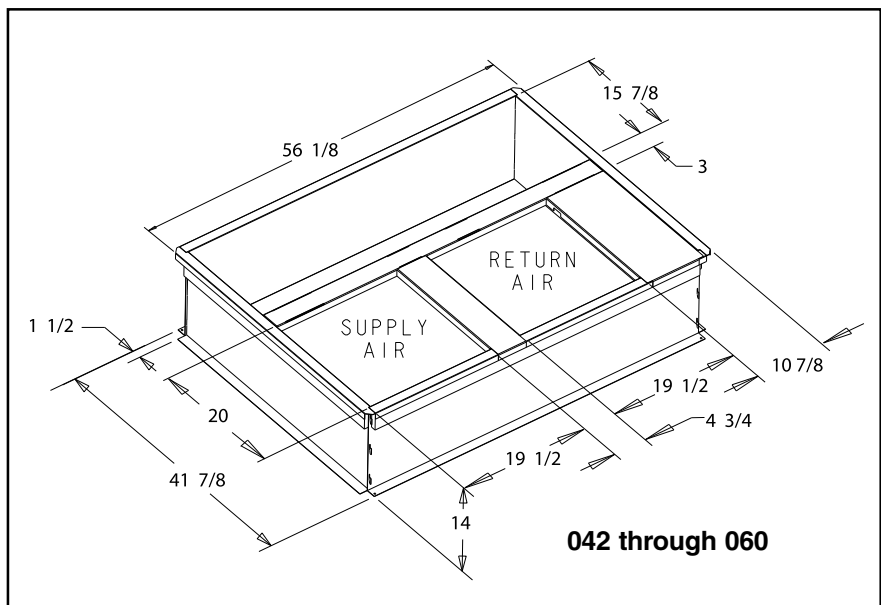
Roof Curbs

BAYCURB050A FULL PERIMETER ROOF MOUNTING CURB OUTLINE



Full Perimeter BAYCURB050A	Full Perimeter BAYCURB051A
4TCY4024-036A	4TCY4042-060A
4TCX3018-036A/4TCC3018-036A	4TCX3042-060A/4TCC3042-060A
4WCZ6036/4DCZ6036A	4WCZ6048-060/4DCZ6048-060A
4WCY4024-036A/4DCY4024-036A	4WCY4042-060A/4DCY4042-060A
2/4WCX3018-036A/2/4WCC3018-036A	2/4WCX3042-060A/2/4WCC3042-060A
4YCZ6036A	4YCZ6048-060A
4YCY4024-036A	4YCY4024-060A
2/4YCX3018-036A/2/4YCC3018-036A	2/4YCX3042-060A/2/4YCC3042-060A

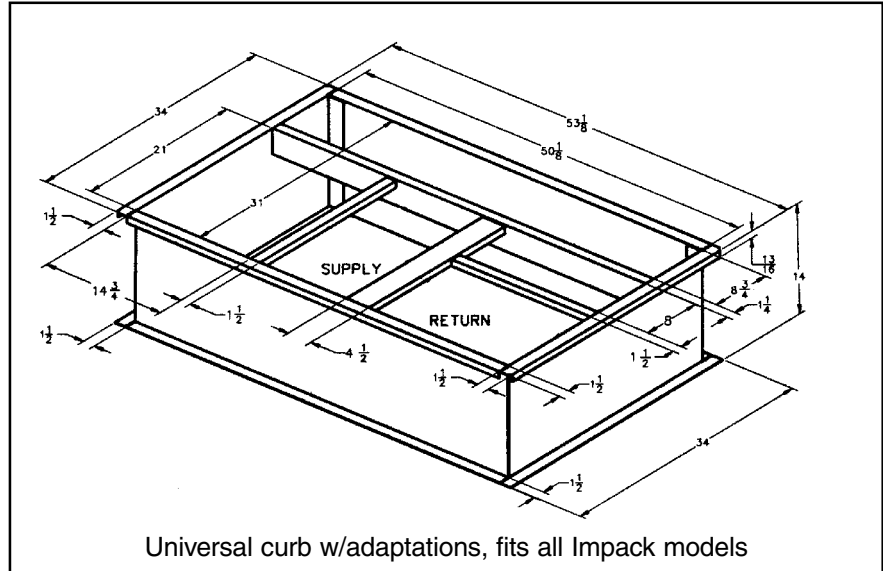
BAYCURB051A FULL PERIMETER ROOF MOUNTING CURB OUTLINE



Impact™ Roof Curbs

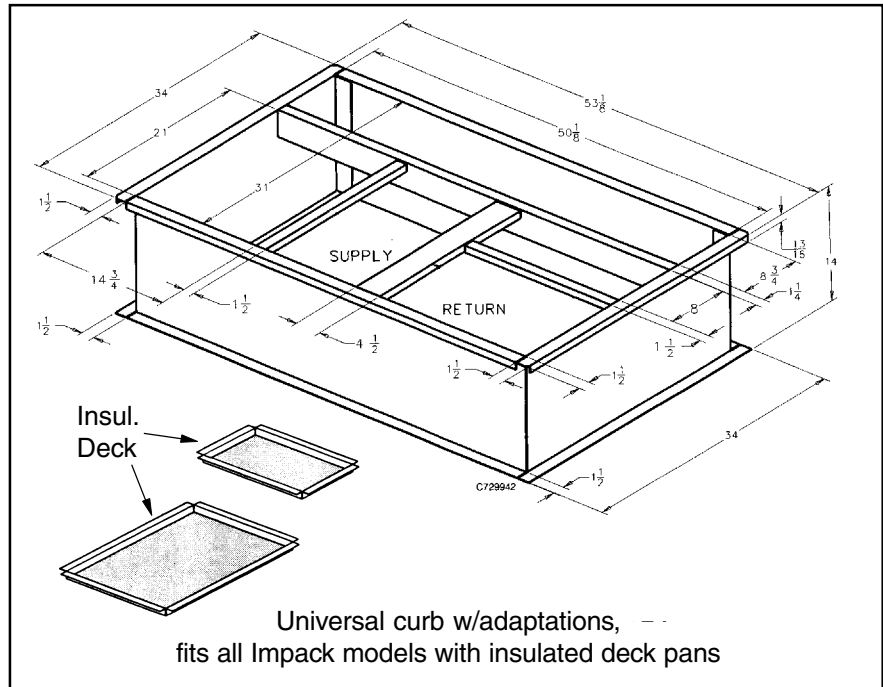
PHASING OUT

BAYCURB030A UNIVERSAL ROOF MOUNTING CURB OUTLINE



Full Perimeter BAYCURB030A			Full Perimeter BAYCURB038A		
TCC018-042	WCC018-042	YCC018-036M	TCC018-042	WCC018-042	YCC018-036M
TCP024-030	WCX024-030	YCP024-36M	TCP024-030	WCX024-030	YCP024-36M
TCX024-030	WCY024-030	YCX024-036M	TCX024-030	WCY024-030	YCX024-036M
TCY024-030			TCY024-030		

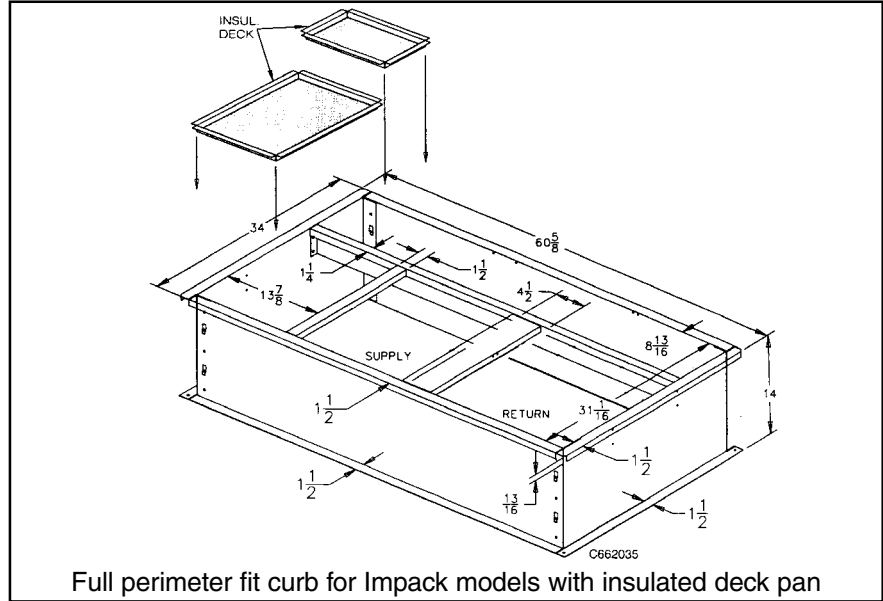
BAYCURB038A UNIVERSAL ROOF MOUNTING CURB OUTLINE



Impact™ Roof Curbs

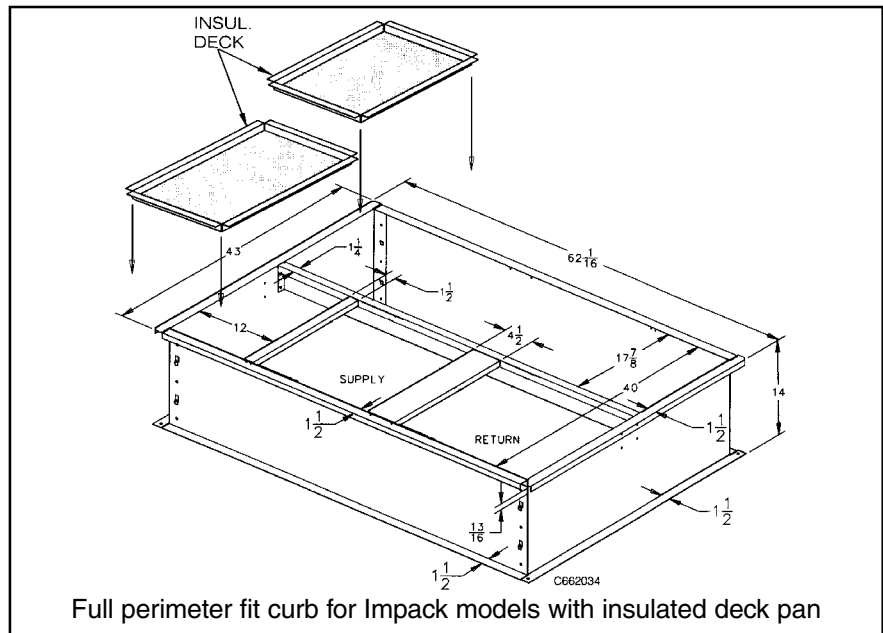
PHASING OUT

BAYCURB033A ROOF MOUNTING CURB OUTLINE

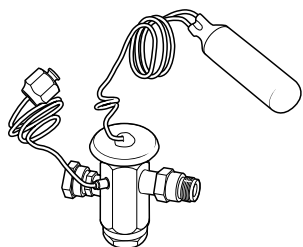


Full Perimeter BAYCURB033A			Full Perimeter BAYCURB034A		
TCP036-042F	WCP036	YCC036H,042 048M	TCC048-060	WCC048-060	YCC048H-060
TCX036-042G	WCX036-042G	YCP036H-042	TCP048-060	WCP048-060	YCP048-060
TCY036-042G	WCY036-042G	YCX036H-042	TCX048-060	WCX048-060G	YCX048-060
TCY048-060G	WCZ036	YCY024-042		WCY048-060G	YCY048-060
		YCZ036F		WCZ060F	YCZ050, 060F

BAYCURB034A ROOF MOUNTING CURB OUTLINE SUPPLY /RETURN AIR DUCT OPENINGS



Thermal Expansion Valves



Expansion Valve TXV Cooling/Heat Pump Kit

General Information

This Thermostatic Expansion Valve Kit may be used on any indoor air handler or coil that is equipped with a current thermostatic expansion valve with an internal check valve and mechanical fittings. This kit can be used on split system heat pumps and air conditioning systems.

Thermostatic Expansion Valve Kits can be field installed to fit a variety of sizes and combinations of air handlers or coils and outdoor units to optimize performance.

This TXV kit will normally be used when a different refrigerant is going to be used in the air handler or coil than what is indicated on the unit name plate. The TXV type must always match the refrigerant type used in the outdoor unit.

Kit Identification

The first character in the kit model number indicates the type of refrigerant that the valve can be used with. Example a 2AYTXVH3D1830A is an R-22 valve.

The "3" in the eighth digit in the model number identifies the valve as a non-bleed TXV. When this TXV kit is installed with an outdoor unit that contains a reciprocating compressor, the outdoor unit must be equipped with a hard start kit if not factory installed. If the outdoor unit contains a scroll compressor, the installation of a hard start kit may be required.

Inspection

Check carefully for any shipping damage. Any such damage must be reported and claims made against the transportation company immediately. Any missing parts should be reported to your supplier at once and replaced with authorized parts only.

Table AC/IN-4-A Cooling/Heat Pump Non-Bleed TXV Kits- Dual Direction Flow-TXA/C-BC Coils

R-410 Model Number	R-22 Model Numbers	Used With 13 SEER Coils
4AYTXVH3D1831A	2AYTXVH3C1818A	2/4TXC, TXA, CXC, CXA-018
4AYTXVH3D1831A	2AYTXVH3C2425A	2/4TXC, TXA, CXC, CXA-024, 025
4AYTXVH3D1831A	2AYTXVH3C3031A	2/4TXC, TXA, CXC, CXA-031
4AYTXVH3D3343A	—	4TXC, 4TXA-032
4AYTXVH3D3343A	2AYTXVH3C3337A	2/4TXC, TXA, CXC, CXA-036, 037
4AYTXVH3D3343A	2AYTXVH3C4243A	2/4TXC, TXA, CXC, CXA-042, 043
4AYTXVH3D4863A	—	4TXC, 4TXA-044
4AYTXVH3D4863A	2AYTXVH3C4850A	2/4TXC, TXA, CXC, CXA-048, 049, 050
4AYTXVH3D4863A	2AYTXVH3C5463A	2/4TXC, TXA, CXC, CXA-060, 061, 064

Table AC/IN-4-B Cooling/Heat Pump Non-Bleed TXV Kits- Dual Direction Flow

R-410 Model Number	R-22 Model Number	Used With Horizontal Flat Coils
4AYTXVH3D1831A	2AYTXVH3C1818A	2/4TXF-018
4AYTXVH3D3343A	2AYTXVH3C3337A	2/4TXF-033
4AYTXVH3D3343A	2AYTXVH3C4243A	2/4TXF-041
4AYTXVH3D4863A	2AYTXVH3C5463A	2/4TXF-054
4AYTXVH3D4863A	2AYTXVH3C5463A	2/4TXF-063

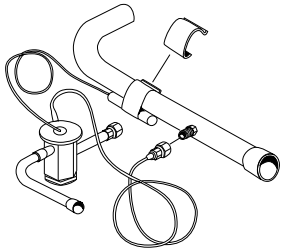
Table AC/IN-4-C Cooling/Heat Pump Non-Bleed TXV Kits- Dual Direction Flow-TXA/C-AS Coils

R-410 Model Number	R-22 Model Number	Used With AS Aluminum Coils
4AYTXVH3B2531A	2AYTXVH3B2531A	2/4TXA, TXC-025
4AYTXVH3B2531A	2AYTXVH3B2531A	2/4TXA, TXC-031
4AYTXVH3B3654A	2AYTXVH3B3637A	2/4TXA, TXC-036
4AYTXVH3B3654A	2AYTXVH3B3637A	2/4TXA, TXC-037
4AYTXVH3B3654A	2AYTXVH3B5454A	2/4TXA, TXC-054
4AYTXVH3B6165A	2AYTXVH3B6565A	2/4TXA, TXC-065

Table AC/IN-4-D Cooling/Heat Pump Non-Bleed TXV Kits- Dual Direction Flow

R-410 Number	R-22 Numbers	Used With Air Handlers
4AYTXVH3D1831A	2AYTXVH3D1830A	2TFB-018-030
4AYTXVH3D1831A	2AYTXVH3D1830A	2/4TFE-025
4AYTXVH3D1831A	2AYTXVH3D1830A	2/4TEC-018-030
—	2AYTXVH3D3636A	2/4TEC-036
4AYTXVH3D3642A	—	2/4TEC-036-042
—	2AYTXVH3D4260A	2/4TEC-042-060
4AYTXVH3D4863A	—	2/4TEC-048-060
4AYTXVH3D1831A	2AYTXVH3D1830A	2TEH-018-030
—	2AYTXVH3D3636A	2TEH-036
4AYTXVH3D3642A	—	2TEH-036-042
—	2AYTXVH3D4260A	2TEH-042-060
4AYTXVH3D4863A	—	2TEH-048-060
4AYTXVH3D1831A	2AYTXVH3D1830A	2TGB-018-036
4AYTXVH3D3642A	—	2TGB-042
—	2AYTXVH3D4260A	2TGB-042-048
4AYTXVH3D4863A	—	2TGB-048

Thermal Expansion Valves



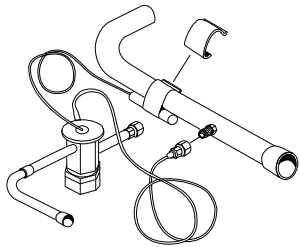
Expansion Valve TXV Cooling Kit

Table AC/IN-5-A — Cooling Bleed TXV Kits – Single Direction Flow

Model Number	Used With AC Units	Liquid Line Connection Dia. I.D. (In.)	Gas Line Connection Dia. I.D. (In.)	Shipping Weight (lbs.)	Refrigerant
TAYTXVA0B5C	1-1 1/2 Ton	1/4	5/8	2	R-22
TAYTXVA0C5C	2-2 1/2 Ton	5/16	3/4	2	R-22
TAYTXVA0E5C	3-3 1/2 Ton	3/8	7/8	2	R-22
TAYTXVA0G5C	4 Ton	3/8	1 1/8	2	R-22
TAYTXVA0H5C	5-6 Ton	3/8	1 1/8	2	R-22

Table AC/IN-5-B — Cooling Non-Bleed TXV Kits – Single Direction Flow

Model Number	Used With AC Units	Liquid Line Connection Dia. I.D. (In.)	Gas Line Connection Dia. I.D. (In.)	Shipping Weight (lbs.)	Refrigerant
TAYTXVA0B3C	1-1 1/2 Ton	1/4	5/8	2	R-22
TAYTXVA0C3C	2-2 1/2 Ton	5/16	3/4	2	R-22
TAYTXVA0E3C	3-3 1/2 Ton	3/8	7/8	2	R-22
TAYTXVA0G3C	4 Ton	3/8	1 1/8	2	R-22
TAYTXVA0H3C	5-6 Ton	3/8	1 1/8	2	R-22



Expansion Valve TXV Heat Pump Kit*

Table AC/IN-5-C — Heat Pump Non-Bleed TXV Kits (also for cooling) – Dual Direction Flow

Model Number	Used With AC Units	Liquid Line Connection Dia. I.D. (In.)	Gas Line Connection Dia. I.D. (In.)	Shipping Weight (lbs.)	Refrigerant
TAYTXVH0B3C	1-1 1/2 Ton	1/4	5/8	3	R-22
TAYTXVH0C3C	2-2 1/2 Ton	5/16	3/4	3	R-22
TAYTXVH0E3C	3-3 1/2 Ton	3/8	7/8	3	R-22
TAYTXVH0G3C	4 Ton	3/8	1 1/8	3	R-22
TAYTXVH0H3C	5-6 Ton	3/8	1 1/8	3	R-22

Table AC/IN-5-D — Cooling/Heat Pump Non-Bleed TXV Kits - Dual Direction Flow*

Model Number	Used With AC Units	Liquid Line Connection Dia. I.D. (In.)	Gas Line Connection Dia. I.D. (In.)	Shipping Weight (lbs.)	Refrigerant
TAYTXVH0D3C	2 1/2 -3 Ton	3/8	1 1/8	2	R-22
TAYTXVH0G3C	4-5 Ton	3/8	1 1/8	2	R-22

Table AC/IN-5-E — R-410A Heat Pump Non-Bleed TXV Kits (also for cooling) - Dual direction flow

Model Number	Used With HP/AC Units	Liquid Line Connection Dia. I.D. (In.)	Gas Line Connection Dia. I.D. (In.)	Shipping Weight (lbs.)	Refrigerant
4AYTXVH3A1830A	1 1/2-2 1/2 Ton	5/16 ^①	3/4 ^②	2	R-410A
4AYTXVH3A3654A	3-4 Ton	3/8	7/8 ^③	2	R-410A
4AYTXVH3A6060A	5 Ton	3/8	7/8	2	R-410A

- ① 1 1/2 ton requires 1/4" liquid line; reducer fittings provided.
- ② 1 1/2 ton requires 1/2" suction line, 2 ton requires 5/8; reducer fittings provided.
- ③ 3 & 3 1/2 ton requires 3/4" suction line; reducer fitting provided.
- * Used with TXH coils only where approved for use with 2 compressor systems.

Notes:

- Use in place of FCCV (Above) on air handlers and coils
- Match TXV kit size to outdoor nominal cooling capacity
- Braze field connections

Refrigerant Line Sets

Table AC/IN-6-A — Refrigerant Line Sets

Model Number	Gas Line ^{②③} Dia. O.D.	Liquid Line Dia. O.D. Length	Tonnages/W R-22	Tonnages/W R-410A	Shipping Weight
TAYREFLN125	5/8	1/4 25	1 & 1 1/2		13
TAYREFLN130	5/8	1/4 30	1 & 1 1/2		15
TAYREFLN140	5/8	1/4 40	1 & 1 1/2		20
TAYREFLN150	5/8	1/4 50	1 & 1 1/2		28
TAYREFLN225	3/4	5/16 25	2 & 2 1/2	2 1/2	15
TAYREFLN230	3/4	5/16 30	2 & 2 1/2	2 1/2	18
TAYREFLN240	3/4	5/16 40	2 & 2 1/2	2 1/2	23
TAYREFLN250	3/4	5/16 50	2 & 2 1/2	2 1/2	32
TAYREFLN325	7/8	3/8 25	3 & 3 1/2	4 & 5	20
TAYREFLN330	7/8	3/8 30	3 & 3 1/2	4 & 5	24
TAYREFLN340	7/8	3/8 40	3 & 3 1/2	4 & 5	30
TAYREFLN350	7/8	3/8 50	3 & 3 1/2	4 & 5	39
TAYREFLN425	1 1/8 ^①	3/8 25	4, 5, & 6		20
TAYREFLN430	1 1/8 ^①	3/8 30	4, 5, & 6		24
TAYREFLN440	1 1/8 ^①	3/8 40	4, 5, & 6		30
TAYREFLN450	1 1/8 ^①	3/8 50	4, 5, & 6		39
TAYREFLN550	1/2	1/4 50		1 & 1 1/2	26
TAYREFLN625	5/8	5/16 25		2	15
TAYREFLN630	5/8	5/16 30		2	17
TAYREFLN640	5/8	5/16 40		2	22
TAYREFLN650	5/8	5/16 50		2	29
TAYREFLN725	3/4	3/8 25		3 & 3 1/2	19
TAYREFLN730	3/4	3/8 30		3 & 3 1/2	22
TAYREFLN740	3/4	3/8 40		3 & 3 1/2	28
TAYREFLN750	3/4	3/8 50		3 & 3 1/2	35
TAYREFLN850	1/2	5/8 50		1 1/2	28
TAYREFLN950	5/8	3/8 50		2	30

① Gas line is 7/8 O.D. but expanded out to 1-1/8 on the ends.

② Gas line 90° bend one end.

③ Gas line insulation 1/2" thickness.

Note: Contains a holding charge of Nitrogen.

Base Pan Sizes

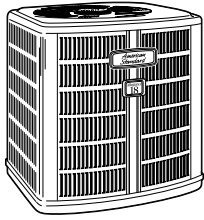


Table AC/IN-7-A — Base Pan 4

41 X 37 X 34		37 X 37 X 34		33 X 37 X 34	
Cooling Models	Heat Pump Models	Cooling Models	Heat Pump Models	Cooling Models	Heat Pump Models
2A7A3048A	2A6H3042A	2A7A4042B	2A6H3036A	2A7A3042A	2A6H4030B
2A7A3060A	2A6H3048A	2A7A5024B	2A6H4036B	4A7A3042A	2A6H5024A
2A7A4048B	2A6H3060A	2A7A5030B	2A6H5030A	4A7A3048A	4A6H5018A
2A7A4060B	2A6H4042B	4A7A4042B	4A6H3036A	4A7A5018A	4A6H5024A
2A7A5036B	2A6H4048B		4A6H3042A	4A7A5024A	
2A7A5042B	2A6H4060B		4A6H4036B	4A7A5030A	
2A7A5048B	2A6H5024A		4A6H6036B	4A7A6036B	
2A7A8030C	2A6H5036A				
2A7A8036C	2A6H5042A				
2A7A8048C	2A6H5048A				
2A7A8060C	2A6H8030C				
4A7A3060B	2A6H8036C				
4A7A4048B	2A6H8048C				
4A7A4060C	2A6H8060C				
4A7A5036A	4A6H3048A				
4A7A5042A	4A6H3060A				
4A7A5048A ^①	4A6H4042B				
4A7A5060A ^①	4A6H4048B				
4A7A6048B	4A6H4060B				
4A7A6060B	4A6H5030A				
	4A6H5036A				
	4A6H5042A				
	4A6H5048A ^②				
	4A6H5060A ^②				
	4A6H6048B				
	4A6H6060B				

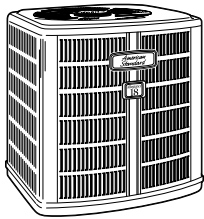


Table AC/IN-7-B — Base Pan 3

37 X 33 X 30		33 X 33 X 30		29 X 33 X 30	
Cooling Models	Heat Pump Models	Cooling Models	Heat Pump Models	Cooling Models	Heat Pump Models
2A7A4036B	2A6H3030A	2A7A3030A	2A6H4018B		4A6H3018A
4A7A3036A	2A6H4024B	2A7A3036A	4A6H4024B ^③		4A6H3024A
4A7A4036B	4A6H3030A	2A7A4018B	4A6H4030B ^③		
4A7A6024B	4A6H6024B	2A7A4024B			
		2A7A4030B			
		4A7A3018A			
		4A7A3024A			
		4A7A3030A			
		4A7A4018B			
		4A7A4024B			
		4A7A4030B			

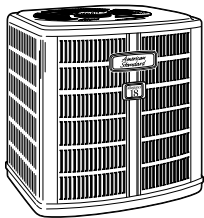


Table AC/IN-7-C — Base Pan 2

33 X 29 X 26		26 X 29 X 26	
Cooling Models	Heat Pump Models	Cooling Models	Heat Pump Models
2A7A3024A	2A6H3018A	2A7A3018A	
	2A6H3024A		

① 45" tall.
② 46" tall.
③ 41" tall.

Base Pan Sizes

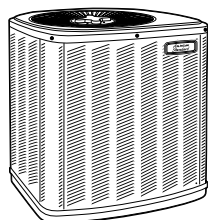


Table AC/IN-8-A — Base Pan 4

41 X 37 X 34		37 X 37 X 34		33 X 37 X 34	
Cooling Models	Heat Pump Models	Cooling Models	Heat Pump Models	Cooling Models	Heat Pump Models
2A7B3048A	2A6B3042A		2A6B3036A	2A7B3042A	
2A7B3060A	2A6B3048A		4A6B3036A	4A7B3042A	
4A7B3060B	2A6B3060A		4A6B3042A	4A7B3048A	
	4A6B3048A				
	4A6B3060A				

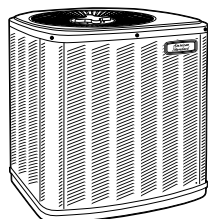


Table AC/IN-8-B — Base Pan 3

37 X 33 X 30		33 X 33 X 30		29 X 33 X 30	
Cooling Models	Heat Pump Models	Cooling Models	Heat Pump Models	Cooling Models	Heat Pump Models
4A7B3036A	2A6B3030A	2A7B3030A			4A6B3018A
	4A6B3030A	2A7B3036A			4A6B3024A
		4A7B3018A			
		4A7B3024A			
		4A7B3030A			

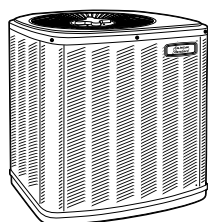


Table AC/IN-8-C — Base Pan 2

33 X 29 X 26			
Cooling Models	Heat Pump Models		
2A7B3018A ^①	2A6B3018A		
2A7B3024A	2A6B3024A		

^① 26" tall.

Base Pan Sizes

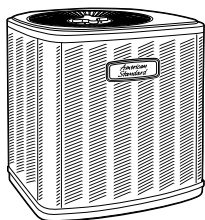


Table AC/IN-9-A — Base Pan 4

41 X 37 X 34		33 X 37 X 34		37 X 37 X 34	
Cooling Models	Heat Pump Models	Cooling Models	Heat Pump Models	Cooling Models	Heat Pump Models
2A7C0072A	2A6C0072A	2A7C3042A	2A6C0060A		4A6C3036A
2A7C3048A	2A6C3042A	4A7C3042A	2A6C3036A		4A6C3042A
2A7C3060A	2A6C3048A	4A7C3048A			
4A7C3060A	2A6C3060A				
	4A6C3048A				
	4A6C3060A				

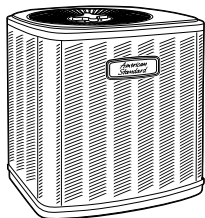


Table AC/IN-9-B — Base Pan 3

37 X 33 X 30		33 X 33 X 30		
Cooling Models	Heat Pump Models	Cooling Models	Heat Pump Models	
4A7C3036A	2A6C3030A	2A7C0060A	2A6C0042A	
	4A6C3030A	2A7C3030A	2A6C0048A	
		2A7C3036A		
		4A7C3030A		

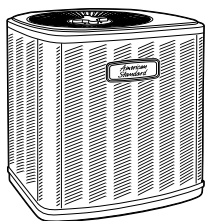


Table AC/IN-9-C — Base Pan 2

29 X 29 X 26		26 X 29 X 26		
Cooling Models	Heat Pump Models	Cooling Models	Heat Pump Models	
2A7C0042A	2A6C0030A	2A7C0030A		
2A7C0048A	2A6C0036A	2A7C0036A		

Equipment Date Identification

The nine digit serial numbers on all American Standard central air conditioning and heating products are employed to identify the year and fiscal week of product manufacture.

Year of manufacture First digit **M124X04CF**

Fiscal week of manufacture Second and third digit **M124X04CF**

Day of week of manufacture Fourth digit **M124X04CF**

Consecutive order of production Last Five digits **M124X04CF**

Exception – Accessories are an exception to the nine digit serial number assignment and may have only three digits to indicate date code.

Coils which have only three digits to indicate date code are an exception to the nine digit serial number assignment.

YEAR DESIGNATIONS FROM 1980

Year	Residential, ID & OD ^① Light Commercial Products & Compressors	Ducane Oil ^① Horizontal Gas Furnaces ^②	Year	Residential, ID & OD ^① Light Commercial Products & Compressors	Ducane Oil ^① Horizontal Gas Furnaces ^②
1980	O,A	L	1995	K	95
1981	T	M	1996	L	96
1982	U	N	1997	M	97
1983	W	P	1998	N	98
1984	X	Q	1999	P	99
1985	Y	85	2000	R	—
1986	S	86	2001	Z	—
1987	B	87	2002	2	—
1988	C	88	2003	3	—
1989	D	89	2004	4	—
1990	E	90	2005	5	—
1991	F	91	2006	6	—
1992	G	92	2007	7	—
1993	H	93	2008	8	—
1994	J	94	2009	9	—

^① Beginning with 1/1/96 (L01) Ducane oil furnace production uses same date code method as gas furnace. Prior to 1/1/96 Ducane serial number used last four digits = date code, example HA1234569540 1995, 40th week.

Example: 123456-**8 5 4 0**

Year of manufacture _____ Fiscal week of manufacture _____

^② Dedicated horizontal gas furnaces, production ceased after introduction of convertible furnaces.

Refrigerant HCFC 22 (R-22)

Tables contain no allowances for vertical lift!

Table AC/IN-11-A — Allowable Suction Line Diameters and Capacities (R-22)

Nom. Tons	Tube Size (In.)	Nominal Capacity (25 Ft)	Pressure Drop per 100 Ft	Net Capacity For Equivalent Length								
				40	60	80	100	120	140	160	180	200
1.0	1/2 5/8	14685	11.7	14425	14080	13735	*13390	*13045	----	----	----	----
		15000	3.3	14925	14825	14725	14625	14525	14425	14325	14255	14125
1.5	5/8 3/4	18000	4.7	17875	17705	17535	17365	17195	17025	16855	16685	16515
		19305	1.8	19255	19185	19115	19045	18975	18905	18835	18765	18695
2.0	5/8	23695	8.1	23405	23020	22635	22250	21865	*21480	*21095	*20710	----
	3/4	24000	3.0	23890	23745	23600	23455	23310	23165	23020	22875	22730
	7/8	24100	1.3	24055	23990	23925	23860	23795	23730	23665	23600	23535
2.5	5/8	29370	12.7	28810	28665	27320	*26575	*25830	----	----	----	----
	3/4	30000	4.6	29795	29520	29245	28970	28695	28420	28145	27870	27595
	7/8	30195	2.0	30105	29985	29865	29745	29625	29505	29385	29265	29145
3.0	3/4	35670	6.5	35320	34855	34390	33925	33460	32995	32530	*32065	*31600
	7/8	36000	2.8	35850	35650	35456	35250	35050	34850	34650	34450	34250
3.5	3/4	41475	8.8	40930	40200	39470	38740	38010	*37280	*36550	*35820	----
	7/8	42000	3.8	41760	41440	41120	40800	40480	40160	39840	39520	39200
	1 1/8	42295	1.0	42230	42145	42060	41975	41890	41805	41720	41636	41550
4.0	7/8	47570	4.9	47220	46755	46290	45825	45360	44895	44430	43965	43500
	1 1/8	48000	1.3	47905	47780	47655	47530	47405	47280	47155	47030	46905
5.0	7/8	59175	7.5	58510	57620	56730	55840	54950	54060	*53170	*52280	*51390
	1 1/8	60000	2.0	59820	59580	59340	59100	58860	58620	58380	58140	57900
	1 3/8	60195	.7	60130	60045	59960	59875	59790	59705	59620	59535	59450
6.0	1 1/8	72000	2.8	71700	71295	70890	70485	70080	69675	69270	68865	68460
	1 3/8	72325	1.0	72215	72070	71925	71780	71635	71490	71345	71200	71055

Note 1: * indicates values more than 10% capacity loss.

Note 2: --- indicates values more than 15% capacity loss.

Table AC/IN-11-B — Liquid Line Selection Table for R-22 Systems

TUBE OD	Rated BTUH	Pressure Drop (PSI) For Total Equivalent Length									
		20	40	60	80	100	120	140	160	180	200
1/4"	15000	4.3	8.7	13.0	17.4	21.7	26.0	30.4	34.7	----	----
	18000	6.0	12.0	18.1	24.1	30.1	----	----	----	----	----
	24000	10.2	20.3	30.5	----	----	----	----	----	----	----
5/16"	15000	1.1	2.3	3.4	4.6	5.7	6.8	8.0	9.1	10.3	11.4
	18000	1.6	3.2	4.7	6.3	7.9	9.5	11.1	12.6	14.2	15.8
	24000	2.7	5.3	8.0	10.6	13.3	16.0	18.6	21.3	23.9	26.6
	30000	4.0	8.0	11.9	15.9	19.9	23.9	27.9	31.8	----	----
	36000	5.5	11.1	16.6	22.2	27.7	33.2	----	----	----	----
	42000	7.3	14.6	22.0	29.3	----	----	----	----	----	----
3/8"	18000	.6	1.1	1.7	2.2	2.8	3.4	3.9	4.5	5.0	5.6
	24000	.9	1.9	2.8	3.8	4.7	5.6	6.6	7.5	8.5	9.4
	30000	1.4	2.8	4.2	5.6	7.0	8.4	9.8	11.2	12.6	14.0
	36000	1.9	3.9	5.8	7.8	9.7	11.6	13.6	15.5	17.5	19.4
	42000	2.6	5.1	7.7	10.2	12.8	15.4	17.9	20.5	23.0	25.6
	48000	3.3	6.5	9.8	13.0	16.3	19.6	22.8	26.1	29.3	32.6
	60000	4.9	9.8	14.7	19.6	24.5	29.4	34.3	----	----	----
	72000	6.8	13.7	20.5	27.4	34.2	----	----	----	----	----
1/2"	36000	.4	.8	1.2	1.6	2.0	2.4	2.8	3.2	3.6	4.0
	42000	.5	1.0	1.6	2.1	2.6	3.1	3.6	4.2	4.7	5.2
	48000	.7	1.3	2.0	2.6	3.3	4.0	4.6	5.3	5.9	6.6
	60000	1.0	2.0	3.0	4.0	5.0	6.0	7.0	8.0	9.0	10.0
	72000	1.4	2.8	4.1	5.5	6.9	8.3	9.7	11.0	12.4	13.8

Refrigerant Line Limits

1. Do not use traps.
2. The suction line diameter must be one of the sizes listed.
3. Use the recommended liquid line size unless the total pressure drop (friction loss plus liquid lift) exceeds: 35 PSI.
4. Refer to 7½ - 20 ton section to determine appropriate refrigerant line size for 7½, 10, 12½, 15 and 20 ton split systems.
5. 2A7A8/2A6H8 - Max length = 80 - of that max length, 25 feet may be vertical.

This page contains limited data for an unskilled user to fully determine if the application will work or to select required accessories. Please refer to publication #14-4050-01 for complete details and examples.

Refrigerant HFC 410A (R-410A)

Tables contain no allowances for vertical lift!

Table AC/IN-12-A — A-R (R-410A)

Tube O.D.	Rated BTUH	Pressure Drop (PSI) For Total Equivalent Length											
		20'	40'	60'	80'	100'	120'	140'	160'	180'	200'	220'	240'
1/4"	15000	4.5	9.0	13.6	18.1	22.6	27.1	31.6	36.2	40.7	45.2	49.7	—
	18000	6.3	12.6	18.8	25.1	31.4	37.7	44.0	—	—	—	—	—
5/16"	15000	1.2	2.4	3.5	4.7	5.9	7.1	8.3	9.4	10.6	11.8	13.0	14.2
	18000	1.6	3.3	4.9	6.6	8.2	9.8	11.5	13.1	14.8	16.4	18.0	19.7
	24000	2.8	5.5	8.3	11.0	13.8	16.6	19.3	22.1	24.8	27.6	30.4	33.1
	30000	4.1	8.3	12.4	16.6	20.7	24.8	29.0	33.1	37.3	41.4	45.5	49.7
	36000	5.8	11.6	17.3	23.1	28.9	34.7	40.5	46.2	—	—	—	—
	42000	7.7	15.4	23.0	30.7	38.4	46.1	—	—	—	—	—	—
3/8"	24000	1.0	1.9	2.9	3.8	4.8	5.8	6.7	7.7	8.6	9.6	10.6	11.5
	30000	1.4	2.9	4.3	5.8	7.2	8.6	10.1	11.5	13.0	14.4	15.8	17.3
	36000	2.0	4.0	6.1	8.1	10.1	12.1	14.1	16.2	18.2	20.2	22.2	24.2
	42000	2.7	5.3	8.0	10.6	13.3	16.0	18.6	21.3	23.9	26.6	29.3	31.9
	48000	3.4	6.8	10.2	13.6	17.0	20.4	23.8	27.2	30.6	34.0	37.4	40.8
	60000	5.1	10.3	15.4	20.6	25.7	30.8	36.0	41.1	46.3	—	—	—
1/2"	42000	.5	1.1	1.6	2.2	2.7	3.2	3.8	4.3	4.9	5.4	5.9	6.5
	48000	.7	1.4	2.0	2.7	3.4	4.1	4.8	5.4	6.1	6.8	7.5	8.2
	60000	1.0	2.1	3.1	4.2	5.2	6.2	7.3	8.3	9.4	10.4	11.4	12.5
	72000	1.4	2.9	4.3	5.8	7.2	8.6	10.1	11.5	13.0	14.4	15.8	17.3

Note 1: A blank space indicates a pressure drop of over than 50 PSI.

Note 2: Other existing sources of pressure drop such as (solenoid valves, etc.) must be considered.

Note 3: A vertical run with a heat pump system always results in a liquid lift (heating or cooling).

Note 4: The smallest liquid line diameter that results in a total liquid line pressure drop of 50 PSI or less results in the most reliable system (fewer pounds of R-410A).

Table AC/IN-12-B — B-R (R-410A Refrigerant)

Allowable Suction Line Diameters and BTUH Loss (R-410A)

Nominal Tons	Tube O.D. (Inches)	Press. Drop PSI/100 Ft.	BTUH Loss For Equivalent Length										
			40'	60'	80'	100'	120'	140'	160'	180'	200'	220'	240'
1.0	1/2*	5.0	70	160	250	340	430	520	610	700	790	880	970
	5/8	1.5	20	50	73	100	130	155	180	210	235	265	290
1.5	1/2*	10.8	173	410	640	875	1110	1340	1575	1810	2040	2275	2510
	5/8	3.1	50	120	185	250	320	385	450	520	585	655	720
	3/4	1.2	20	45	70	95	125	150	175	200	225	255	280
2.0	5/8*	5.4	115	270	430	585	740	895	1050	1205	1360	1515	1670
	3/4	2.0	45	100	160	215	275	330	390	445	505	560	620
	7/8	.9	20	45	70	95	125	150	175	200	225	255	280
2.5	5/8*	8.2	220	515	810	1110	1400	1695	1990	2290	2585	2880	3175
	3/4	3.0	80	190	295	405	515	620	730	840	945	1055	1160
	7/8	1.3	35	80	130	175	220	270	315	365	410	455	505
3.0	5/8	11.7	380	885	1390	1895	2400	2905	3410	3915	4425	4930	—
	3/4*	4.3	140	325	510	700	880	1070	1255	1440	1625	1810	2000
	7/8	1.9	60	145	225	310	390	470	555	635	720	800	880
3.5	3/4*	5.8	220	510	805	1095	1390	1680	1975	2265	2560	2850	3140
	7/8	2.5	95	220	345	475	600	725	850	975	1105	1230	1355
4.0	3/4	7.4	320	745	1170	1600	2025	2450	2875	3305	3730	4155	4580
	7/8*	3.2	140	325	510	690	875	1060	1245	1430	1615	1795	1980
	1-1/8	.9	40	90	145	195	245	300	350	400	455	505	555
5.0	3/4	11.5	620	1450	2280	3105	3935	4760	5590	6415	7245	8073	8900
	7/8*	4.9	265	615	970	1325	1675	2030	2380	2735	3080	3440	3795
	1-1/8	1.3	70	165	255	350	445	540	630	725	820	915	1005
6.0	3/4	16.5	1070	2495	3920	5345	6770	8195	9625	—	—	—	—
	7/8	7.0	455	1060	1665	2270	2875	3480	4080	4685	5290	5895	6500
	1-1/8	1.8	115	270	430	585	740	895	1050	1205	1360	1515	1670

Note * Rated tube size.

Note 1: Shaded value indicates more than 10% capacity loss.

Note 2: Blank space indicates more than 15% capacity loss.

Refrigerant Line Limits

- Do not use traps.
- The suction line diameter must be one of the sizes listed. Use the actual tonnage of the system in selecting line sizes.
- Use the recommended liquid line size unless the total pressure drop (friction loss plus liquid lift) exceeds: 50 PSI.
- 4A7A6/4A6H6 - Max length = 80 - of that max length, 25 feet may be vertical.

For complete equipment / combination selections and installation instructions, please refer to Product Data and/or Installers Guides.

This page contains limited data to fully determine if the application will work or to select required accessories. Please refer to publication #14-4050-01 for complete details and examples.

Project _____		Outdoor Model _____	
Address _____		Indoor Model _____	
_____		A.R.I. Capacity _____	
<input type="checkbox"/> Cooling		<input type="checkbox"/> Heat Pump	

Linear Piping Runs	Horizontal Lengths _____ = _____ ft
	Vertical Lengths _____ = _____ ft
	For Tubing Lengths over 80ft, refer to Pub. No. 32-3009-XX
Total Tubing Run = (a) _____ ft	

Fittings and Refrigerant Specialties	_____ Short Elbows	_____ 45° Elbows	_____ Solenoid Valve
	_____ Long Elbows	_____ Sight Glass ⁽¹⁾	_____ Filter Driers ⁽²⁾
	<small>⁽¹⁾Sight glasses are not recommended on American Standard, Tyler built units. ⁽²⁾Field furnished and installed in liquid line outside of unit. Note: Traps are not recommended or required on suction gas risers!</small>		

Equivalent Lengths	LIQUID LINE				GAS LINE			
	Tubing Size	Fittings/Accessories Quantity	Equivalent Length	Equivalent Length Subtotals	Tubing Size	Fittings/Accessories Quantity	Equivalent Length	Equivalent Length Subtotals
	_____	x _____	= _____	_____	_____	x _____	= _____	_____
	_____	x _____	= _____	_____	_____	x _____	= _____	_____
	_____	x _____	= _____	_____	_____	x _____	= _____	_____
	_____	x _____	= _____	_____	_____	x _____	= _____	_____
	Liquid line fittings/accessories equivalent total = (b) _____ ft				Gas line fittings/accessories equivalent total = (x) _____ ft			

Pressure Losses and Gains	Frictional Losses	Actual Copper Tubing Lengths [From (a)]	(a) _____ ft	(a) _____ ft
		Fittings/Accessories Equivalent Feet (b) or (x)	(b) + _____ ft	(x) + _____ ft
		Total Equivalent Piping Run =	_____ ft	_____ ft
		Pressure Drop/Foot $\left[\frac{P.D./100 \text{ ft}}{100} = \frac{\quad}{100} = \quad \right]$	x _____ psi/ft	x _____ psi/ft
		Frictional Pressure Loss =	(c) _____ p.s.i.	_____ p.s.i.

Pressure Losses and Gains	Hydrostatic Force Liquid Line Only	Vertical Separation between Indoor/Outdoor	= _____ ft	GAS LINE PRESSURE DROPS I. If P.D. is less than 3 psi, P.D. in acceptable range. II. P.D. between 3 and 6 psi, check capacity loss (Chart B – Refrigerant Piping Manual). III. If P.D. exceeds 6 psi, capacity loss may require oversize pipe or larger equipment size because of capacity losses. NOTES A. Heat Pump Systems: Always add (+) (d value) to (c value) for system total. Air Conditioning Systems: Condensing unit above Indoor Evaporator: subtract (-) (d value) from (c value). Condensing unit below Indoor Evaporator: Add (+) (d value) to (c value). B. A hydrostatic force greater than 25 psi may not provide sufficient pressure available to overcome frictional losses on Heat Pump Systems and Air Conditioning Systems with the outdoor condensing unit below the indoor evaporator unit.
		HCFC-22 Hydrostatic Force	= _____ x 0.50 psi/ft	
		If (d) is greater than 25 psi (See Note B)	(d) _____ psi	

Pressure Losses and Gains	System Loss	Frictional Loss	(c) _____
		Hydrostatic Force (See Note A)	(d) ± _____
		Total =	_____ psi
Liquid Pressure Drop Can Not exceed 35 psi.			

R-22 HCFC Refrigerant Only

			Standard Type L Copper Tubing Size						Oversized Type L Copper Tubing						
Nominal Tonnage	#/Min	ARI ⁽¹⁾ Capacity	O.D. Tube Size		Pressure Drops ⁽¹⁾		Lbs. R-22 (100 ft.)		O.D. Tube Size		Pressure Drops ⁽¹⁾		Lbs. R-22 (100 ft.)		
			Gas	Liquid	Gas	Liquid	Gas	Liquid	Gas	Liquid	Gas	Liquid	Gas	Liquid	
1	3.00	12,000	5/8	1/4	2.60	17.0	0.3	1.50	5/8	5/16	2.60	5.0	0.30	2.30	
	3.75	15,000			3.40	26.0					3.40	7.8			
1 1/2	3.75	15,000	5/8	1/4	3.40	26.0	0.3	1.50	5/8	5/16	3.40	7.8	0.30	2.30	
	4.50	18,000			4.80	38.0 ⁽⁴⁾			3/4	5/16	1.80	11.0			0.40
2	5.25	21,000	3/4	5/16	2.60	14.0	0.4	2.30	7/8	3/8	1.20	3.8	0.50	3.80	
	6.00	24,000			3.40	17.0					1.50	4.8			
	6.75	27,000			4.10	20.0					1.80	5.8			
2 1/2	6.75	27,000	3/4	5/16	4.10	20.0	0.4	2.30	7/8	3/8	1.80	5.8	0.50	3.80	
	7.50	30,000			5.10	25.0 ⁽⁴⁾					2.30	7.0			
	8.25	33,000			6.00	32.0 ⁽⁴⁾					2.75	8.7			
3 ⁽⁵⁾	8.25	33,000	7/8	3/8	2.75	8.7	0.5	3.80	7/8 ⁽²⁾	1/2	2.75	1.80	0.50	7.30	
	9.00	36,000			3.20	10.2			7/8 ⁽²⁾	1/2	3.20	2.20			0.50
	9.75	39,000			3.70	11.8			7/8 HP ⁽²⁾		3.70	2.45			0.50 ⁽³⁾
3 1/2 ⁽⁵⁾	10.00	40,000	7/8	3/8	3.90	12.0	0.5	3.80	1 1/8 Cool ⁽⁶⁾		0.95	2.45	0.90 ⁽³⁾	7.30	
	10.50	42,000			4.10	13.0					1.10	2.90			
	11.25	45,000			4.70	14.0					1.20	3.50			
4	11.25	45,000	1 1/8	3/8	1.20	14.0	0.9	3.80	1 1/8	1/2	1.20	2.8	0.90	7.30	
	12.00	48,000			1.40	16.0					1.40	3.9			
	12.75	51,000			1.60	18.0 ⁽⁴⁾					1.60	4.0			
5	14.00	56,000	1 1/8	3/8	1.90	22.5 ⁽⁴⁾	0.9	3.80	1 3/8	1/2	0.64	4.8	1.30	7.30	
	14.75	59,000			2.15	24.5 ⁽⁴⁾					0.70	5.1			
	15.50	62,000			2.30	26.0 ⁽⁴⁾					0.76	5.6			
6	16.50	66,000	1 1/8	3/8	2.45	27.0 ⁽⁴⁾	0.9	3.80	1 3/8	1/2	0.80	6.0	1.30	7.30	
	17.25	69,000			2.80	31.0 ⁽⁴⁾					0.90	6.8			
	18.00	72,000			3.20	35.0 ⁽⁴⁾					1.00	7.6			
7 1/2	21.50	86,000	1 3/8	1/2	1.50	10.0	1.3	7.30	OVERSIZE TUBING NOT ALLOWED ON THESE MODELS						
	22.50	90,000			1.65	12.0 ⁽⁴⁾									
	24.50	98,000			1.90	14.0 ⁽⁴⁾									
10	29.00	116,000	1 3/8	1/2	2.80	17.5 ⁽⁴⁾	1.3	7.30							
	30.00	120,000			2.90	19.0 ⁽⁴⁾									
	31.25	125,000			3.00	21.0 ⁽⁴⁾									

(1) Adjusted for net capacity.

(2) Max line size on vertical runs and heat pump systems.

(3) 7/8 = 0.50# 1 1/8 = 0.90#

(4) Velocity exceeds 300 FPM - cannot use a quick close solenoid valve.

(5) Standard size for liquid line - pre 1992 models is 5/16 inch, 1992 and later models 3/8 inch liquid line is standard.

(6) 1 1/8 inch on cooling systems provides sufficient velocities for oil entrainment on vertical rises. (39,000 BTUH systems only.)

Equivalent Lengths Of Values And Fittings					
O.D Tube Size (in.)	45° ELL	Short Radius ELL	Long Radius ELL	Solenoid Value	Sight Glass
1/4	2.0	4.6	3.1	17	1.2
5/16	2.1	4.6	3.1	20	1.4
3/8	2.2	4.7	3.2	22	1.6
1/2	2.4	4.7	3.2	24	1.7
5/8	2.9	5.7	3.9	25	2.3
3/4	3.3	6.5	4.5	25	2.9
7/8	3.9	7.8	5.3	28	3.7
1 1/8	1.4	2.7	1.9	29	2.5
1 3/8	1.6	3.2	2.2	33	2.7
1 5/8	1.9	3.8	2.6	34	3.0

Application Engineering
RFW 10/2003

NOTE: When copper tubing exceeds 80ft or oversized tubing is required, the guidelines for compressor protection in the Refrigerant Piping Application Guide (Pub. No. 32-3009-03) on page 11 must be adhered to.

7.5-20 Tons Split System

Table AC/IN-15-A — Recommendations For Refrigerant — Piping Components

	TTA090A, TWA090A	TTA120A, TWA120A	TTA120B ^①	TTA120C	TTA150B ^①	TTA180B, TWA180B ^①	TTA180C	TTA240B, TWA240B ^①	TTA240F
Refrigerant circuits	1	1	2	1	2	2	1	2	1
Minimum unloading	7.5 tons	10 tons	5 tons	5 tons	6.25 tons	7.5 tons	7.5 tons	10 tons	10 tons
GAS LINE									
Tube size (OD) ^②	1-3/8 inch	1-3/8 inch	1-1/8 inch	1-3/8 inch	1-3/8 inch	1-3/8 inch	1-5/8 inch	1-3/8 inch	2-1/8 inch Hor & Vert Drop 1-5/8 inch Suction Rise
Access port	Schraeder valve w/core	Schraeder valve w/core	Schraeder valve w/core	Schraeder valve w/core	Schraeder valve w/core	Schraeder valve w/core	Schraeder valve w/core	Schraeder valve w/core	Schraeder valve w/core
VAPOR LINE									
Tube size (OD) ^②	1/2 inch	1/2 inch	3/8 inch	1/2 inch	1/2 inch	1/2 inch	5/8 inch	1/2 inch	5/8 inch
Filter drier ^③	TTA: DHY01123	TTA: DHY01123	TTA: DHY01123	TTA: DHY01123	TTA: DHY01123	TTA: DHY01123	TTA: DHY01123	TTA: DHY01123	TTA: Sporlan C-307-s
	TWA: DHY01091	TWA: DHY01091							
Access port (1 per ckt)	Schraeder valve w/core	Schraeder valve w/core	Schraeder valve w/core	Schraeder valve w/core	Schraeder valve w/core	Schraeder valve w/core	Schraeder valve w/core	Schraeder valve w/core	Schraeder valve w/core
Check valve (TTA cooling-only units) ^④	VAL08460	VAL08460	VAL08460 ^⑤	VAL08460	VAL08460	VAL08460	VAL07030 ^⑤	VAL08460	Superior 803 B-10st
Moisture-indicating sight glass (1 per ckt)	GLS00853	GLS00853	GLS00852	GLS00853	GLS00853	GLS00853	GLS00830	GLS00853	Sporlan SA15s
Expansion valve ^⑤	See Table 2 (below)								
DISCHARGE LINE									
Tube Size (OD)	7/8 inch	7/8 inch	5/8 inch	7/8 inch	3/4 inch	5/8 inch	7/8 inch	7/8 inch	7/8 inch

- ① Be sure to double the component quantities listed above for the following units, which contain two refrigerant circuits: TTA120B, 150B, 180B, and 240B cooling-only units, and TWA180B and 240B heat pumps.
- ② Line sizes shown apply when the total line length and rise complies with the allowable limits for gas lines (Figure 2 or Figure 3, p. 9) and liquid lines (Figure 4, p. 9). If the piping layout exceeds either of these limits, ask your local American Standard dealer to review the application.
- ③ A liquid-line filter drier is factory-installed in each refrigerant circuit of a TTA or TWA unit. If a filter drier is installed elsewhere in the liquid line, be sure to remove the factory-supplied filter from the TTA/TWA. See pp. 12–13.
- ④ In an application that pairs a TWA heat pump with an indoor coil (rather than a TWE air handler), provide a check valve (Table 2 below) for each expansion valve at the indoor coil. See Figure 11 (p. 16) for placement.
- ⑤ Reducers are required to install this check valve because it is one size larger than the liquid line.

Table AC/IN-15-B — Recommendations For Expansion Valves And Indoor Check Valves Used In TTA/TWA Applications When Not Paired With A TWE Air Handler ^a

Indoor coil capacity ^b	Recommended American Standard part	
	Expansion valve ^c	Indoor check valve ^d
3 tons	VAL07364	VAL08549 for 3/8-inch OD liquid line
5 tons	VAL07074	
7.5 tons	VAL07075	VAL08460 for 1/2-inch OD liquid line
10 tons	VAL07076	
15 tons	VAL02824	
20 tons	N/A	Superior 803B - 10st

- ^a American Standard factory-installs the expansion valves for the indoor coil in a TWE air handler.
^b Choose an expansion valve that matches the tonnage of the coil distributor it serves.
^c Provide and install one expansion valve per distributor.
^d For TWA heat pumps, but only when paired with an indoor coil (not a TWE air handler); see Figure 6 (p. 11).

7.5-20 Tons Split System

Figure 2. Allowable elevation difference: Cooling-only TTA above indoor unit

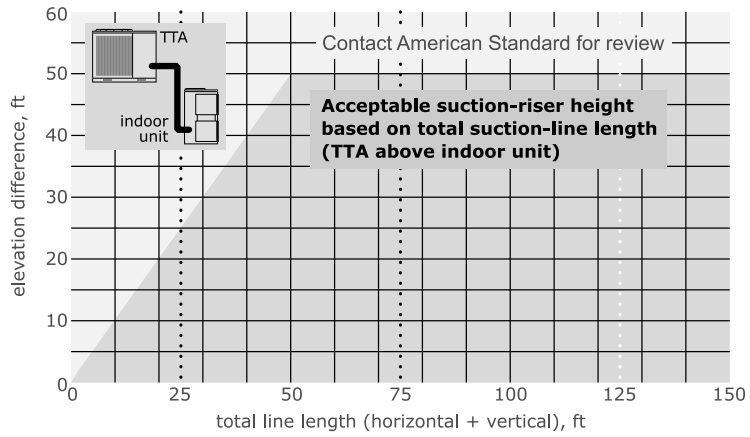


Figure 3. Allowable elevation difference: TWA heat pump above indoor unit

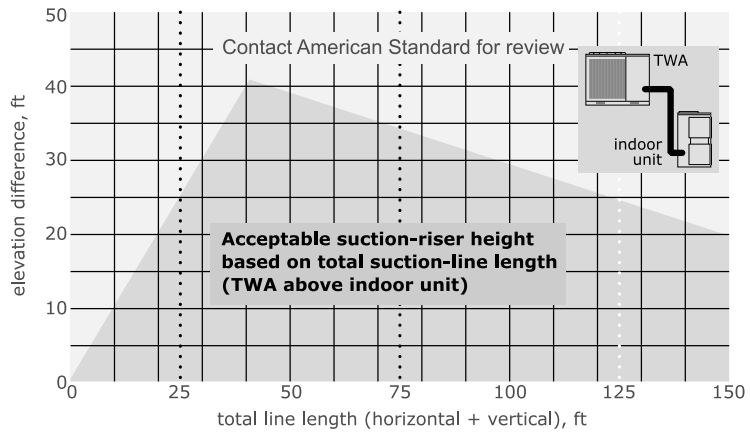
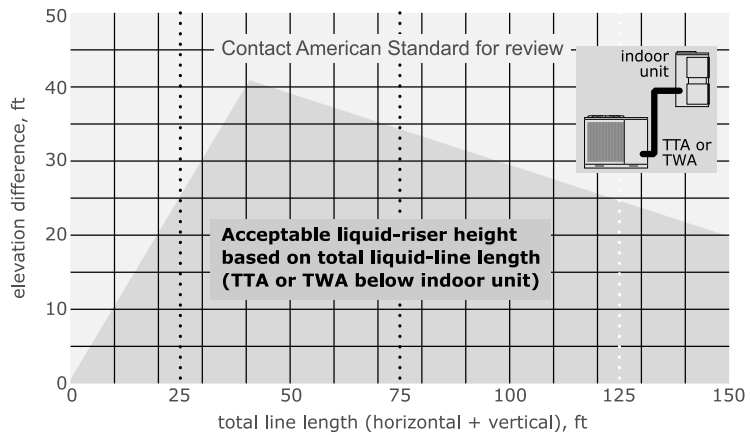


Figure 4. Allowable elevation difference: TTA or TWA below indoor unit

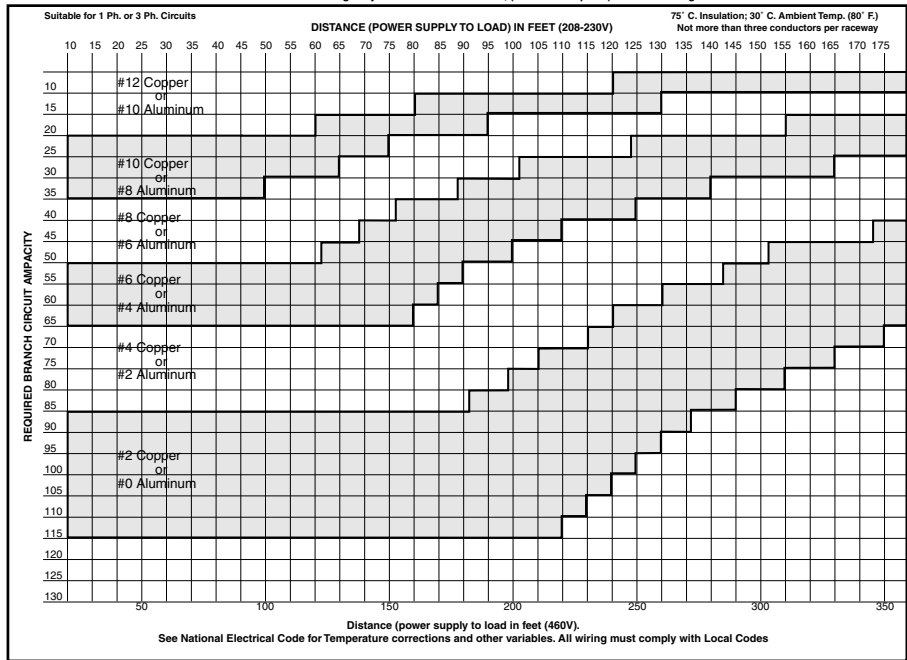


Branch Circuit Wire Sizing Table/ Heater Derating Chart

BRANCH CIRCUIT WIRE SIZING TABLE

(Based on 2% Voltage Drop)

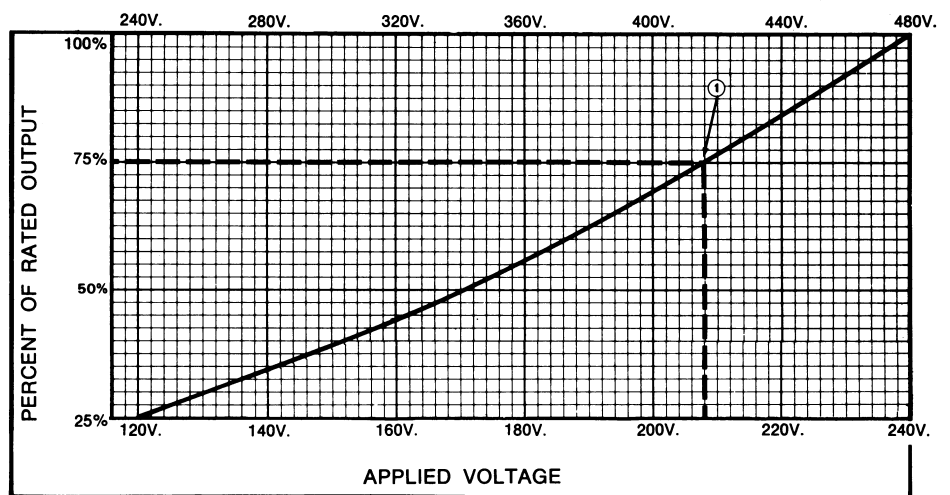
Chart is based on 75° C. wire. (Types FEPW, RH, RHW, THHW, THW, THWN, XHHW, USE, AND ZW.)
Use Chart For Wire Sizing Only. Refer To Electrical Code, (Or Product Specs.) For Fuse Sizing



Heater Derating Chart

The output of electric heaters, applied at voltages other than the rated 240 or 480 volts, can be easily determined with the use of this chart.

ELECTRIC HEATER DE-RATING CHART (for 240V or 480V Rated Heaters Installed on Lower Voltage Systems)



① EXAMPLE: Calculated Heat Loss — 29,200 BTUH Power Supply — 208V.
The chart indicates that any 240V heater will deliver 75% of its rated capacity at 208V.

$$\frac{29,200 \text{ BTUH}}{.75} = 39,000 \text{ BTUH} \quad \left\{ \begin{array}{l} \text{Select a heater having AT LEAST 39,000 BTUH} \\ \text{capacity at 240V.} \end{array} \right.$$

Basic Air Conditioning Formulas

Basic Air Conditioning Formulas

TO DETERMINE	EXPRESSED AS	COOLING	HEATING and/or HUMIDIFYING
Total Airflow	CFM _T	1. $CFM_T = \frac{N_T V}{60 \text{ min./hr.}}$	1. $CFM_T = \frac{N_T V}{60 \text{ min./hr.}}$
Infiltration or Ventilation	CFM _O	2. $CFM_O = \frac{N_O V}{60 \text{ min./hr.}}$	2. $CFM_O = \frac{N_O V}{60 \text{ min./hr.}}$
Number of Air Changes Per Hour – Total	N _T	3. $N_T = \frac{CFM_T (60 \text{ min./hr.})}{V}$	3. $N_T = \frac{CFM_T (60 \text{ min./hr.})}{V}$
Number of Air Changes Per Hour – Outdoor Air	N _O	4. $N_O = \frac{CFM_O (60 \text{ min./hr.})}{V}$	4. $N_O = \frac{CFM_O (60 \text{ min./hr.})}{V}$
Total Heat (H _T)	Btuh	5. $H_T = CFM_T \times 4.5 \times (h_1 - h_2) = \text{Btuh}$	6. $H_T = CFM_T \times 4.5 \times (h_2 - h_1) = \text{Btuh}$
Sensible Heat (H _S)	Btuh	7. $H_S = CFM_T \times 1.08 \times (T_1 - T_2) = \text{Btuh}$	8. $H_S = CFM_T \times 1.08 \times (T_2 - T_1) = \text{Btuh}$
Latent Heat (H _L)	Btuh	9. $H_L = CFM_T \times .68 \times (W_1 - W_2) = \text{Btuh}$	10. $H_L = CFM_T \times .68 \times (W_2 - W_1) = \text{Btuh}$
Entering Air Temperature (T ₁) (Mixed Air)	°F.D.B.	11. $T_1 = t_1 + \frac{CFM_O}{CFM_T} \times (t_2 - t_1) = \text{°F.D.B. } \textcircled{1}$ $\textcircled{1}$ If duct heat gain is a factor, add to T ₁ : $\frac{\text{Duct Heat Gain (Btuh)}}{CFM_T \times 1.08}$	12. $T_1 = t_1 - \frac{CFM_O}{CFM_T} \times (t_1 - t_2) = \text{°F.D.B. } \textcircled{2}$ $\textcircled{2}$ If duct heat loss is a factor, subtract from T ₁ : $\frac{\text{Duct Heat Loss (Btuh)}}{CFM_T \times 1.08}$
Leaving Air D.B. Temperature (T ₂)	°F.D.B.	13. $T_2 = T_1 - \frac{H_S}{CFM_T \times 1.08} = \text{°F.D.B.}$	14. $T_2 = T_1 + \frac{H_S}{CFM_T \times 1.08} = \text{°F.D.B.}$
Required Airflow	CFM _T	15. $CFM_T = \frac{H_S (\text{total})}{1.08 \times (T_1 - T_2)} = \text{CFM}$ OR $CFM_T = \frac{H_S (\text{internal}) \textcircled{3}}{1.08 \times (t_1 - T_2)} = \text{CFM}$ $\textcircled{3}$ Sensible load of outside air not included	16. $CFM_T = \frac{H_S}{1.08 \times (T_2 - T_1)} = \text{CFM}$
Enthalpy – Leaving Air (h ₂)	Btu/lb. dry air	17. $h_2 = h_1 - \frac{H_T}{CFM_T \times 4.5} = \text{Btu/lb. dry air}$	18. $h_2 = h_1 + \frac{H_T}{CFM_T \times 4.5} = \text{Btu/lb. dry air}$
Leaving Air W.B. Temperature	°F.W.B.	19. Refer to Enthalpy Table and read W.B. temperature corresponding to enthalpy of leaving air (h ₂) (see #17).	20. Refer to Enthalpy Table and read W.B. temperature corresponding to enthalpy of leaving air (h ₂) (see #18).
Heat Required to Evaporate Water Vapor Added to Ventilation Air	Btuh	21. $H_L = CFM_O \times .68 (W_3 - W_O) = \text{Btuh}$	22. $H_L = CFM_O \times .68 (W_3 - W_O) = \text{Btuh}$
Humidification Requirements	Lbs. water/hr.	23. $\left(\begin{array}{l} \text{Make up} \\ \text{Moisture} \end{array} \right) = \frac{\text{Excess Latent Capacity of System} \times \% \text{ Run Time}}{1060 \text{ Btu/lb.}} = \text{lbs./hr.}$ (Industrial Process Work)	24. $\left(\begin{array}{l} \text{Make up} \\ \text{Moisture} \end{array} \right) = \frac{H_L \text{ loss Btuh (see \#22)}}{1060 \text{ Btu/lb.}} = \text{lbs./hr.}$

LEGEND	DERIVATION OF AIR CONSTANTS
<p>CFM_T = Total airflow cubic feet/min. CFM_O = Outdoor air cubic feet/min. N_T = Total air changes per hour N_O = Outdoor air, air changes per hour V = Volume of space cubic feet H_T = Total heat Btuh H_S = Sensible heat Btuh H_L = Latent heat Btuh * h₁ = Enthalpy or total heat of entering air * h₂ = Enthalpy or total heat of leaving air T₁ = Temperature of entering air T₂ = Temperature of leaving air T_{adp} = Apparatus dewpoint t₁ = Indoor design temperature t₂ = Outdoor design temperature W₁ = Grains of water/lb. of dry air at entering condition W₂ = Grains of water/lb. of dry air at leaving condition W₃ = Grains of water/lb. of dry air at indoor design conditions W_O = Grains of water/lb. of dry air at outdoor design conditions</p>	<p>The air constants below apply specifically to standard air which is defined as dry air at 70°F and 14.7 P.S.I.A. (29.92 in. mercury column). They can, however, be used in most cooling calculations unless extremely precise results are desired.</p> <p>4.5 (To convert CFM to lbs./hr.)</p> <p>$4.5 = \frac{60 \text{ min./hr.}}{13.33}$ or $60 \times .075$</p> <p>Where 13.33 is the specific volume of standard air (cu.ft./lb.) and .075 is the density (lbs./cu.ft.)</p> <p>$1.08 = \frac{.24 \times 60}{13.33}$ or $.24 \times 4.5$</p> <p>.24 BTU = specific heat of standard air (BTU/LB/°F)</p> <p>$.68 = \frac{60}{13.33} \times \frac{1060}{7000}$ or $4.5 \times \frac{1060}{7000}$</p> <p>Where: 1060 = Average Latent Heat of water vapor (BTU/LB.). 7000 = Grains per lb.</p>

* See Enthalpy of air (Total Heat Content of Air) Table for exact values.

Low Ambient Accessories Cooling Models

Model Family	0°F to 30°F					30°F to 55°			55°F and above
2A7A8	Not Approved					AY28X079	TXV-NB	BAYCCHT ^⑥	As Shipped
4A7A6	Not Approved					AY28X079	TXV-NB	BAYCCHT ^⑥	As Shipped
2A7A5	Not Approved					AY28X079	TXV-NB	BAYCCHT ^⑥	As Shipped
2A7A4 / 4A7A4	Not Approved					AY28X079	TXV-NB	BAYCCHT ^⑥	As Shipped
2A7A3 / 4A7A3	BAYLOAM103	TXV-NB	BAYCCHT ^⑥	Quick Start Kit	Solenoid Valve ^③	AY28X079	TXV-NB	BAYCCHT ^⑥	As Shipped
2A7M3 / 2/4A7B3	BAYLOAM103	TXV-NB	BAYCCHT ^⑥	Quick Start Kit	Solenoid Valve ^③	AY28X079	TXV-NB	BAYCCHT ^⑥	As Shipped
2A7C0 / 2/4A7C3	BAYLOAM103	TXV-NB	**	3 phase not needed	Solenoid Valve ^③	AY28X079	TXV-NB	**	As shipped

Notes:

- ① Scroll compressors unload during the off cycle and do not require hard start components due to refrigerant pressure differential. However, it is recommended to install start kit when operating below 30°F.
 - ② For all systems employing head pressure control, a non-bleed thermal expansion valve (NB-TXV) is required. TWE060A has a factory installed bleed port TXV. If belt drive is preferred (TWE060A), it is recommended to change the TXV to a non-bleed type.
 - ③ If off cycle time exceeds 30 minutes at low outdoor ambient conditions, it is recommended to install a liquid line solenoid valve.
 - a) If solenoid valve is required, pressure drop across the solenoid valve plus liquid line pressure drop shall be no greater than 35 PSI for R-22 systems and 50 PSI for R410A systems.
 - ④ Wind shields may be required, please refer to the following pages to locate documentation regarding windshields.
 - ⑤ System indoor airflow shall be no less than 370 CFM / Ton when applying head pressure control.
 - ⑥ Check Product Data General Specification page in order to determine if the condensing unit ships with required components such as crankcase heat or start components.
- ** BAYCCHT (Crankcase Heater) is factory installed.

For a detailed Application Bulletin on required accessories and wind shields for low outdoor ambient operation, please contact your Territory Manager or Local FSR.

Low Ambient Accessories Heat Pump Models

Model Family	0°F to 30°F ^{③④⑤⑥}				30°F to 55°F ^{③④⑥}			55°F and above
2A6H8	Not Approved				AY28X084	TXV-NB	BAYCCHT ^⑥	As Shipped
4A6H6	Not Approved				AY28X084	TXV-NB	BAYCCHT ^⑥	As Shipped
2A6H5	Not Approved				AY28X084	TXV-NB	BAYCCHT ^⑥	As Shipped
2A6H4 / 4A6H4	Not Approved				AY28X084	TXV-NB	BAYCCHT ^⑥	As Shipped
2A6H3 / 4A6H3	BAYLOAM103	TXV-NB	BAYCCHT ^⑥	Quick Start Kit ^⑥	AY28X084	TXV-NB	BAYCCHT ^⑥	As Shipped
2A6M3 / 2/4A6B3	BAYLOAM103	TXV-NB	BAYCCHT ^⑥	Quick Start Kit ^⑥	AY28X084	TXV-NB	BAYCCHT ^⑥	As Shipped
2A6C0 / 2/4A6C3	BAYLOAM103	TXV-NB	**	3 phase	AY28X084	TXV-NB	BAYCCHT ^⑥	As Shipped

Notes:

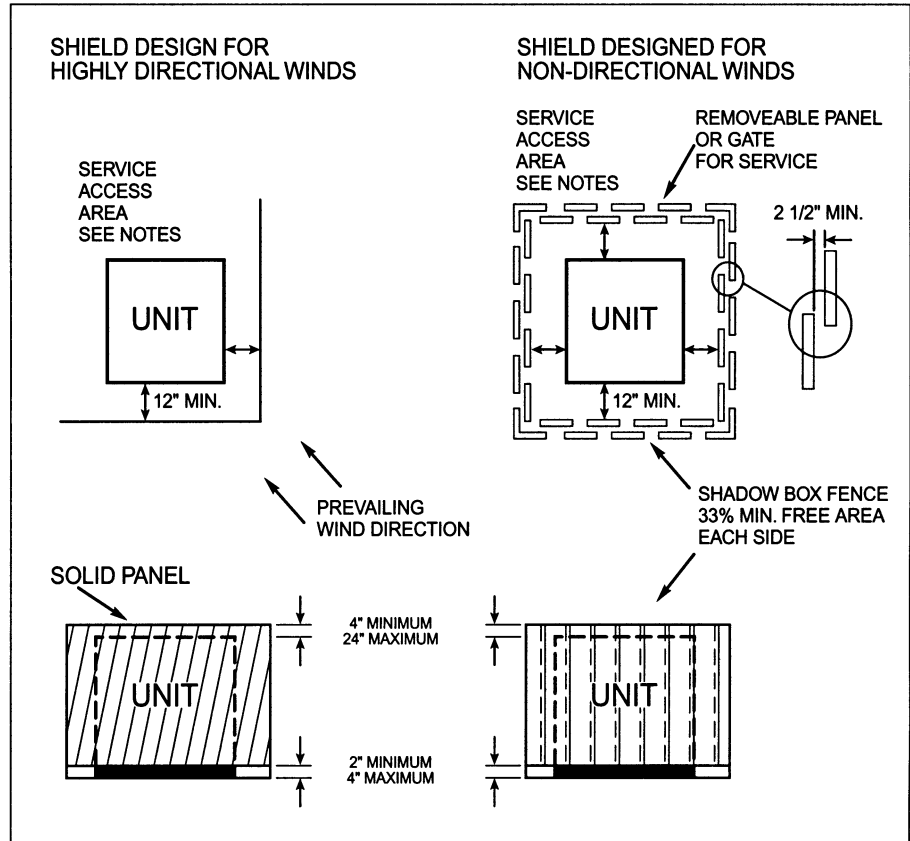
- ① Scroll compressors unload during the off cycle and do not require hard start components due to refrigerant pressure differential. However, it is recommended to install a start kit when operating below 30°F.
 - ② For all systems employing head pressure control, a non-bleed thermal expansion valve (NB-TXV) is required. All heat pump expansion valve accessories are non-bleed type. TWE060A has a factory installed bleed port TXV. If belt drive is preferred (TWE060A), it is recommended to change the TXV to a non-bleed type.
 - ③ Wind shields may be required, please refer to the following pages to locate documentation regarding windshields.
 - ④ System indoor airflow shall be no less than 370 CFM / Ton.
 - ⑤ Do not use solenoid valves with heat pump systems.
 - ⑥ Check Product Data General Specification page in order to determine if the heat pump unit ships with required components such as crankcase heat or start components.
- ** BAYCCHT (Crankcase Heater) is factory installed.

For a detailed Application Bulletin on required accessories and wind shields for low outdoor ambient operation, please contact your Territory Manager or Local FSR.

Wind Shields

Wind Shields are required to block prevailing winds across condenser coil. In applications where cooling

operation is required to 0°F, wind shields are a **Must**. Use the following guidelines for your application



Notes:
Minimum working clearance must be in compliance with the National Electric Code. Currently, the minimum clearance between a wood or suitable grounding material type fence requires minimum 3 feet. If other material is used to form the windshield, the minimum space may be increased to 3.5 feet. Please consult the 2002 or current Edition of the National Electric Code, Article 110 for the most up to date information

For a detailed Application Bulletin on required accessories and wind shields for low ambient operation, please contact your Territory Manager or Local DSS.

Split Air Conditioners and Heat Pumps

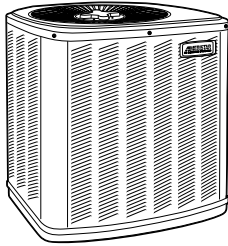


Table AM-1-A — Split Cooling 13 SEER

Model Number	Power Supply	Nom. Cap. Cooling (BTUH)	Uncrated Dimensions(in.)			Shipping Weight (lbs.)	Sound Rating	MCA*	Max. Fuse*	Line Size	
			H	W	D					OD Gas	OD Liq.
2A7M3018A1000A	200/230/1/60	17,000	26	29	26	182	74	8	15	5/8	1/4
2A7M3024A1000A	200/230/1/60	23,000	33	29	26	195	76	12	20	3/4	5/16
2A7M3030A1000A	200/230/1/60	28,500	33	33	30	225	74	13	20	3/4	5/16
2A7M3036A1000A	208/230/1/60	34,500	33	33	30	220	75	18	30	7/8	3/8
2A7M3042A1000A	200/230/1/60	40,500	33	37	34	283	77	21	35	7/8	3/8
2A7M3048A1000A	200/230/1/60	46,500	41	37	34	307	76	25	40	1 1/8	3/8
2A7M3060A1000A	208/230/1/60	58,500	41	37	34	303	76	32	50	1 1/8	3/8



Table AM-1-B — Split Heating 13 SEER

Model Number	Power Supply	Nom. Cap. Cooling (BTUH)	Uncrated Dimensions(in.)			Shipping Weight (lbs.)	Sound Rating	MCA*	Max. Fuse*	Line Size	
			H	W	D					OD Gas	OD Liq.
2A6M3018A1000A	200/230/1/60	17,000	33	29	26	201	74	8	15	5/8	1/4
2A6M3024A1000A	200/230/1/60	23,000	33	29	26	204	79	12	20	3/4	5/16
2A6M3030A1000A	200/230/1/60	28,500	37	33	30	239	79	13	20	3/4	5/16
2A6M3036A1000A	200/230/1/60	34,500	37	37	34	297	79	19	30	7/8	3/8
2A6M3042A1000A	200/230/1/60	40,500	41	37	34	312	81	21	35	7/8	3/8
2A6M3048A1000A	200/230/1/60	46,500	41	37	34	313	78	25	40	1 1/8	3/8
2A6M3060A1000A	208/230/1/60	58,500	41	37	34	314	79	32	50	1 1/8	3/8

Table AM-1-C — Features

	13 (2A7M3)	13 (2A6M3)
• SEER's up to	13.25	13.25
• HSPF's up to	—	8.00
• Duration™ compressor	✓	✓
• DuraBase™ base, fast complete drain, weatherproof	✓	✓
• Easy-Sess™ cabinet, service access & refrigerant connections with full coil protection	✓	✓
• Spine Fin™ coil	✓	✓
• Comfort-R™ mode approved	✓	✓
• Compressor sound enclosures	3 1/2-4	3-4
• Compressor sump - factory installed	5	1 1/2-5
• Quick start kit-factory installed	1 1/2-2 1/2, 3 1/2-5	1 1/2-5
• Factory supplied charge	R-22	R-22
• Glossy corrosion resistant finish	✓	✓
• Internal high / low pressure & temperature protection	✓	✓
• Low Pressure Switch	—	✓
• Liquid line filter drier - factory installed	✓	✓
• Polyslate gray cabinet	✓	✓
• 5-year limited warranty on compressor, outdoor coil & 5-years on parts (Residential)	✓	✓
• Extended warranties available	✓	✓

Table AM-1-D — Optional Accessories

	13 (2A7M3)	13 (2A6M3)
AY28X079 Evap. Defrost Control Kit (cooling only)	✓	—
AY28X084 Evap. Defrost Control Kit (heating only)	—	✓
BAYCCHT300 Crankcase Heater Kit	1 1/2-2 1/2, 3 1/2-4	—
BAYCCHT301 Crankcase Heater Kit	3	—
BAYECMT023 Extreme Conditions Mounting Kit (Base 2/3)	1 1/2-3	1 1/2-2 1/2
BAYECMT004 Extreme Conditions Mounting Kit (Base 4)	3 1/2-5	3-5
BAYISLT101 Rubber Isolators	✓	✓
BAYSKT260 Start Kit	3	—
BAYLEGS002 Snow Legs - Base and Cap 6" High	✓	✓
BAYLEGS003 4" Extension	✓	✓
BAYLOAM103 Low Ambient Kit	✓	✓
BAYSDEN001 Single Cylinder Compressor Enclosures	1 1/2-2 1/2	1 1/2-2 1/2
BAYSDEN003 Small Scroll Compressor Enclosures	3	—
BAYSDEN004 Large Scroll Compressor Enclosures	5	5
BAYSEAC001 Seacoast Kit	✓	✓
TAYASCT501AⓈⓈ Anti-Short Cycle Timer	✓	✓

Comfort Controls — See Comfort Controls/Zone Sensors Section

① Not for use with programmable thermostats.
Activated on Power Off.

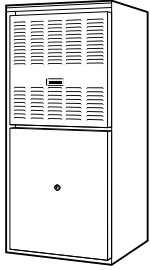


Table AM-2-A —Dedicated Upflow Only Induced Draft

Model Number	Airflow In Tons	Nom. Cap. Htg. Output (BTUH)	ICS* AFUE	Flue Size	Ignition Device	Uncrated Dimensions(in.)			Shipping Weight (lbs.)	Max. Fuse*	Filter Sizes
						H	W	D			
CUB1A040A9241A	2	31,000	80.0	4"	Silicon Carbide	40	14.5	28	119	15	14 x 25 x 1
CUB1A060A9241A	2	47,000	80.0	4"	Silicon Carbide	40	14.5	28	127	15	14 x 25 x 1
CUB1A060A9361A	3	47,000	80.0	4"	Silicon Carbide	40	14.5	28	127	15	14 x 25 x 1
CUB1B060A9361A	3	47,000	80.0	4"	Silicon Carbide	40	17.5	28	137	15	17 x 25 x 1
CUB1B080A9361A	3	63,000	80.0	4"	Silicon Carbide	40	17.5	28	142	15	17 x 25 x 1
CUB1B080A9481A	4	64,000	80.0	4"	Silicon Carbide	40	17.5	28	142	15	17 x 25 x 1
CUB1B100A9361A	3	79,000	80.0	4"	Silicon Carbide	40	17.5	28	151	15	17 x 25 x 1
CUB1C100A9481A	4	79,000	80.0	4"	Silicon Carbide	40	21	28	162	15	20 x 25 x 1
CUB1C100A9601A	5	80,000	80.0	4"	Silicon Carbide	40	21	28	162	20	20 x 25 x 1
CUB1D120A9601A	5	96,000	80.0	4"	Silicon Carbide	40	24.5	28	186	20	24 x 25 x 1
CUB1D140A9601A	5	111,000	80.0	4"	Silicon Carbide	40	24.5	28	193	20	24 x 25 x 1

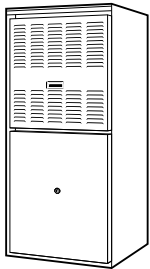


Table AM-2-B —Downflow/Horizontal Induced Draft

Model Number	Airflow In Tons	Nom. Cap. Htg. Output (BTUH)	ICS* AFUE	Flue Size	Ignition Device	Uncrated Dimensions(in.)			Shipping Weight (lbs.)	Max. Fuse*	Filter Sizes
						H	W	D			
CDB1A060A9361A	3	48,000	80.0	4"	Silicon Carbide	40	14.5	28	129	15	(2) 14 x 20 x 1
CDB1B060A9361A	3	48,000	80.0	4"	Silicon Carbide	40	17.5	28	141	15	(2) 14 x 20 x 1
CDB1B080A9451A	4	64,000	80.0	4"	Silicon Carbide	40	17.5	28	146	15	(2) 14 x 20 x 1
CDB1B100A9451A	4	80,000	80.0	4"	Silicon Carbide	40	17.5	28	156	15	(2) 14 x 20 x 1
CDB1C100A9601A	5	81,000	80.0	4"	Silicon Carbide	40	21	28	167	20	(2) 16 x 20 x 1
CDB1D120A9601A	5	96,000	80.0	4"	Silicon Carbide	40	24.5	28	189	20	(2) 16 x 20 x 1

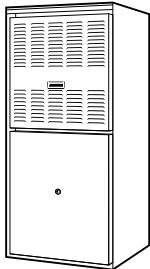


Table AM-2-C —Upflow/Horizontal Left Condensing

Model Number	Airflow In Tons	Nom. Cap. Htg. Output (BTUH)	ICS* AFUE	Flue Size	Ignition Device	Uncrated Dimensions(in.)			Shipping Weight (lbs.)	Max. Fuse*	Filter Sizes
						H	W	D			
CUX1B040A9241A	2	37,000	90.0	2, 2 1/2, 3"	Silicon Carbide	40	17.5	28	139	15	17 x 25 x 1
CUX1B060A9361A	3	56,000	90.0	2, 2 1/2, 3"	Silicon Carbide	40	17.5	28	150	15	17 x 25 x 1
CUX1B080A9421A	3.5	74,000	90.0	2, 2 1/2, 3"	Silicon Carbide	40	17.5	28	158	15	17 x 25 x 1
CUX1C100A9481A	4	92,000	90.0	2 1/2, 3"	Silicon Carbide	40	21	28	171	20	20 x 25 x 1
CUX1D100A9601A	5	93,000	90.0	2 1/2, 3"	Silicon Carbide	40	24.5	28	197	20	24 x 25 x 1
CUX1D120A9601A	5	113,000	90.0	3" Only	Silicon Carbide	40	24.5	28	205	20	24 x 25 x 1

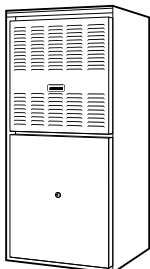


Table AM-2-D —Downflow/Horizontal Condensing Convertible to Horizontal

Model Number	Airflow In Tons	Nom. Cap. Htg. Output (BTUH)	ICS* AFUE	Flue Size	Ignition Device	Uncrated Dimensions(in.)			Shipping Weight (lbs.)	Max. Fuse*	Filter Sizes
						H	W	D			
CDX1B040A9241A	2	38,000	90.0	2, 2 1/2, 3"	Silicon Carbide	40	17.5	28	145	15	(2) 14 x 20 x 1
CDX1B060A9361A	3	56,000	90.0	2, 2 1/2, 3"	Silicon Carbide	40	17.5	28	155	15	(2) 14 x 20 x 1
CDX1B080A9421A	3.5	74,000	90.0	2, 2 1/2, 3"	Silicon Carbide	40	17.5	28	168	15	(2) 14 x 20 x 1
CDX1C100A9481A	4	93,000	90.0	2 1/2, 3"	Silicon Carbide	40	21	28	185	20	(2) 16 x 20 x 1
CDX1D120A9601A	5	110,000	90.0	3" Only	Silicon Carbide	40	24.5	28	206	20	(2) 16 x 20 x 1

Note: Ameristar™ furnaces (CUB1/CDB1-CUX1/CDX1) models are not eligible for 10 year extended warranties, parts or labor.

Table AM-3-A — Features

	CUB1	CDB1	CUX1	CDX1
• Accessory hook-up capability (Terminal Only)	✓	✓	✓	✓
• Alternate bottom/left/right return air	✓	—	✓	—
• Blower door safety switch	✓	✓	✓	✓
• Common vent capability	✓	✓	—	✓
• Complete front service access	✓	✓	✓	✓
• Dedicated Upflow Only Models	✓	—	—	—
• Direct Drive, 4 speed motors	✓	✓	—	✓
• Downflow/Horizontal Models	—	✓	—	✓
• Heavy gauge aluminized steel heat exchanger	✓	✓	✓	✓
• Heavy gauge, wrap around Pre-painted steel cabinet	✓	✓	✓	✓
• Inner blower door panel	—	✓	—	✓
• Multi-port in-shot burners	✓	✓	✓	✓
• Non-prorated 20-year heat exchanger limited warranty	✓	✓	✓	✓
• Optional L.P. conversion kit	✓	✓	✓	✓
• Pre-painted doors	✓	✓	✓	✓
• Power supply 115/1/60	✓	✓	✓	✓
• Right and left side vent knock out	—	✓	—	—
• Selectable cooling off option	✓	✓	✓	✓
• Silicon carbide hot surface igniter	✓	✓	✓	✓
• Slide out blower assembly	✓	✓	✓	✓
• 5-year limited parts warranty	✓	✓	✓	✓
• Optional extended warranties (5-year parts and labor)	✓	✓	✓	✓
• Optional extended warranties (1-year parts and labor)	✓	✓	✓	✓

Table AM-3-B — Optional Accessories

ASYSTAT604	Thermostat-Htg./Clg. Vertical	✓	✓	✓	✓
ASYSTAT605	Thermostat- Htg./Clg. Horizontal	✓	✓	✓	✓
BAYLPKT210A	Propane Conversion Kit	✓	✓	—	✓
BAYFLTR206	Filter Accessory Kit	—	✓	—	✓
BAYCLE14A1422A	Coil Enclosure (Knock-down)	14.5"	14.5"	—	—
BAYCLE17A1722A	Coil Enclosure (Knock-down)	17.5"	17.5"	17.5"	17.5"
BAYCLE21A2130A	Coil Enclosure (Knock-down)	21"	21"	21"	21"
BAYCLE24A2430A	Coil Enclosure (Knock-down)	24.5"	24.5"	24.5"	24.5"
BAYFLTR200	Side filter rack (upflow only)	✓	—	✓	—
BAYBASE205	Downflow Subbase	—	✓	—	✓
BAYHALT248	High Altitude Pressure Switch Kit	✓	✓	—	—
BAYSWT01AHALTA	High Altitude Pressure Switch Kit	—	—	40/100	80/120
BAYSWT02AHALTA	High Altitude Pressure Switch Kit	—	—	60	60
BAYSWT03AHALTA	High Altitude Pressure Switch Kit	—	—	80	100
BAYSWT04AHALTA	High Altitude Pressure Switch Kit	—	—	100/120	40
BAYMFGH100A	Manufactured Housing Accessory Kit	—	—	✓	✓
BAYAIR30AVENTA	Concentric Vent Kit	—	—	✓	✓
BAYVENT200B	Sidewall Vent Terminator Kit	—	—	✓	✓

Note: Ameristar™ furnaces (CUB1/CDB1-CUX1/CDX1) models are not eligible for 10 year extended warranties, parts or labor.

American Standard

HEATING & AIR CONDITIONING

American Standard Heating & Air Conditioning

6200 Troup Highway

Tyler, Texas 75707

<http://www.americanstandardair.com>

© 2008 American Standard Heating & Air Conditioning All rights reserved